

Level Measurement

Continuous level measurement - Ultrasonic transducers

ST-H

Overview



ST-H transducers use ultrasonic technology to measure level in chemical storage and liquid tanks.

Benefits

- Can be mounted on a 2" (50.8 mm) standpipe
- Immune to corrosive and harsh environments
- Integral temperature sensor

Application

The narrow design of the ST-H allows the transducer to be mounted on a 2" (50.8 mm) standpipe. When mounted correctly, it is completely protected from the process and can even be used in harsh, corrosive environments.

During operation, the ultrasonic transducer emits acoustic pulses in a narrow beam perpendicular to the transducer face. The level transceiver measures the propagation time between pulse emission and reception of the echo to calculate the distance from the transducer to the material. Variations in sound velocity due to changes in temperature within the permissible range are automatically compensated by the integral temperature sensor.

- Key Applications: chemical storage, liquid tanks

Technical specifications

Mode of operation	
Measuring principle	Ultrasonic transducer
Input	
Measuring range	0.3 ... 10 m (1 ... 33 ft)
Output	
Frequency	44 kHz
Beam angle	12°
Accuracy	
Temperature compensation	Compensated by integral temperature sensor
Rated operating conditions	
Pressure	Normal atmospheric pressure
Ambient conditions	
• Ambient temperature	-20 ... +60 °C (-5 ... +140 °F) (ATEX approved model) -40 ... +73 °C (-40 ... +163 °F) (CSA/FM approved model)
Design	
Weight ¹⁾	1.4 kg (3 lbs)
Material (enclosure)	Base and lid made of ETFE or PVDF (epoxy fitted joint) ²⁾
Process connection	2" NPT [(Taper), ANSI/ASME B1.20.1], R 2" [(BSPT), EN 10226] or G 2" [(BSPP), EN ISO 228-1]
Degree of protection	IP68
Cable connection	2-core shielded/twisted, 0.519 mm ² (20 AWG), PVC sheath
Cable (max. length)	365 m (1200 ft) with RG 62 A/U coaxial cable
Options	
Flange adapter	3" Universal (fits DN 65, PN 10 and 3" ASME)
Submergence coupling	For maintaining high level readings while the transducer is submerged
Certificates and approvals	
	CE ³⁾ , CSA Class I, II, III, Div. 1, Gr. A, B, C, D, E, F, G T3 (ETFE only), FM Class I, II, Div. 1, Gr. C, D, E, F, G T4A, ATEX II 2G EEx m IIC T5, C-TICK, INMETRO: Br-Ex m II T5

- ¹⁾ Approximate shipping weight of transducer with standard cable length
- ²⁾ When measuring chemicals, check compatibility of ETFE or PVDF and epoxy, or mount joint external to process.
- ³⁾ EMC certificate available on request

Level Measurement

Continuous level measurement - Ultrasonic transducers

ST-H

Selection and Ordering data**Echomax® ST-H ultrasonic transducer**

Level measurement in chemical storage and liquid tanks. The narrow design of the ST-H allows the transducer to be mounted on a 2" standpipe. Measuring range: min. 0.3 m (1 ft), max. 10 m (33 ft).

Process connection

ETFE, 2" NPT [(Taper), ANSI/ASME B1.20.1]
 ETFE, R 2" [(BSPT), EN 10226]
 ETFE, G 2" [(BSPP), EN ISO 228-1]
 PVDF copolymer, 2" NPT [(Taper), ANSI/ASME B1.20.1]
 PVDF copolymer, R 2" [(BSPT), EN 10226]
 PVDF copolymer, G 2" [(BSPP), EN ISO 228-1]

Cable length

5 m (16.40 ft)
 10 m (32.81 ft)
 30 m (98.43 ft)
 50 m (164.04 ft)
 100 m (328.08 ft)

Approvals

FM Class I, II, Div. 1, C-TICK
 ATEX II 2G, CSA, C-TICK, INMETRO ¹⁾
 ATEX II 2G, C-TICK, INMETRO ²⁾

Operating Instructions

Quick Start Manual, multi-language C) **7ML1998-5QK82**
 Applications Guidelines, multi-language C) **7ML1998-5HV61**
 Note: The Applications Guidelines should be ordered as a separate line item on the order.

This device is shipped with the Siemens Milltronics manual CD containing the complete ATEX Quick Start and Operating Instructions library.

- 1) Available with Process connection options 0 to 2 only
 2) Available with Process connection options 3 to 5 only
 C) Subject to export regulations AL: N, ECCN: EAR99

Order No.

7ML1100-**A 0****0****1****2****3****4****5****A****B****C****D****E****2****3****4****Selection and Ordering data****Further designs**

Please add "-Z" to Order No. and specify Order code(s).
 Acrylic coated, stainless steel tag [13 x 45 mm (0.5 x 1.75")]: Measuring-point number/identification (max. 16 characters) specify in plain text

Accessories

Universal box bracket, mounting kit
 3" ASME, DN 65 PN 10, JIS 10K 3B ETFE flange adapter for 2" NPT
 3" ASME, DN 65 PN 10, JIS 10K 3B ETFE flange adapter for 2" BSPT
 Easy Aimer 2, NPT with ¾" x 1" PVC coupling
 Easy Aimer 2, aluminum with M20 adapter and 1" and 1½" BSPT aluminum couplings
 Easy Aimer 304, with stainless steel coupling
 Easy Aimer 304, with M20 adapter and 1" and 1½" BSPT 304 SS couplings

Order code

Y17

Order No.

7ML1830-1BK**7ML1830-1BT****7ML1830-1BU****7ML1830-1AQ****7ML1830-1AX****7ML1830-1AU****7ML1830-1GN**

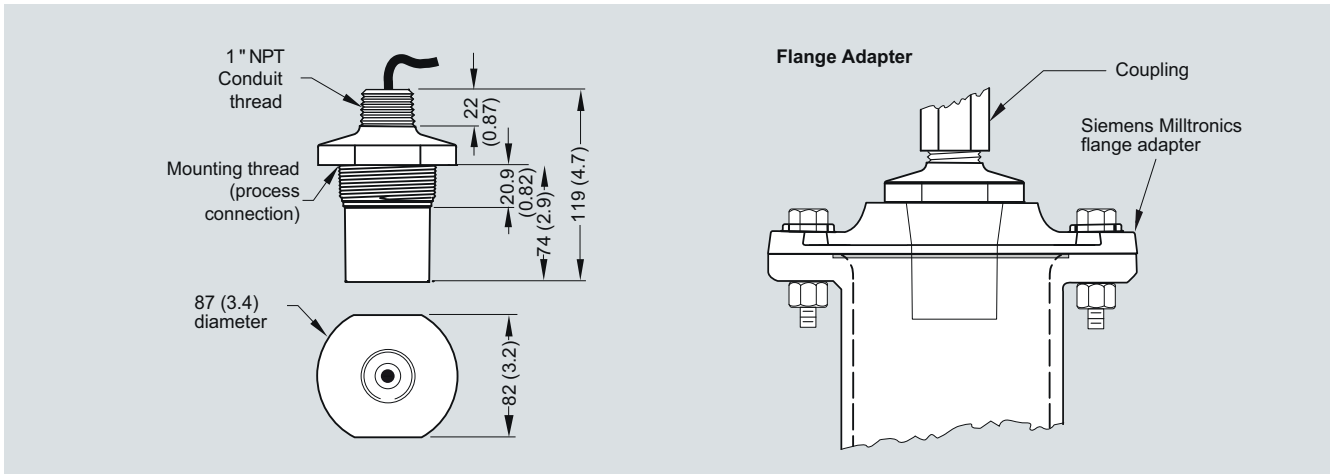
5

Level Measurement

Continuous level measurement - Ultrasonic transducers

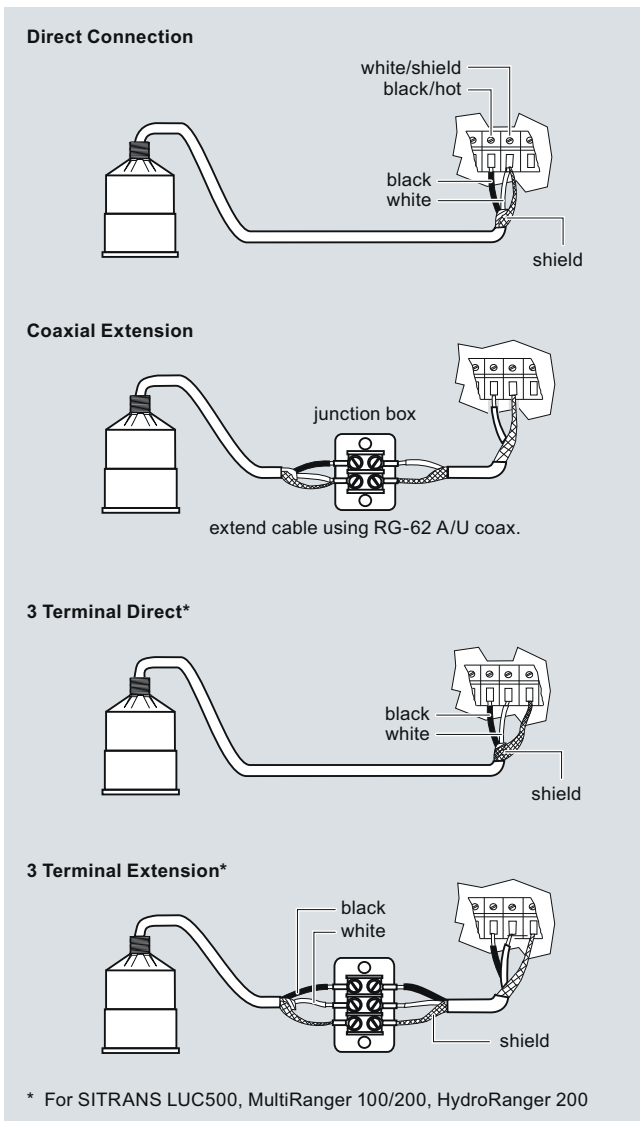
ST-H

Dimensional drawings



ST-H ultrasonic transducer, dimensions in mm (inch)

Schematics



ST-H ultrasonic transducer connections

5

FINE CONTROLS (UK) LTD



Fine Controls have been supplying process controls & instrumentation equipment since 1994, & now serves an ever expanding customer base, both in the UK & globally.

We offer a full range of valve & instrumentation products & services, with our product range representing leading technologies & brands:

Flow: Flow Meters & Transmitters, Flow Switches, Flow Control Valves & Batch Control Systems

Temperature: Temperature Probes & Thermowells, Temperature transmitters, Temperature Regulators & Temperature Displays

Level: Level Transmitters & Switches

Pressure: Pressure Gauges & Transmitters, Precision & High Pressure Regulators & I-P Converters, Volume boosters.

Precision Pneumatics: Pressure Regulators, I-P Converters, Volume Boosters, Vacuum Regulators

Valves: Solenoid & Pneumatic Valves, Control Valves & Positioners, Actuated Ball, Globe or Diaphragm Valves & Isolation Valves

Services: Repair, Calibration, Panel Build, System Design & Commissioning

A rotork® Brand
FAIRCHILD



bürkert



SIEMENS



alcon
SOLENOID VALVES

A rotork® Brand



MIDLAND-ACS
A rotork® Brand



Honeywell



Bourdon
Baumer Group



SOLDO
CONTROLS

A rotork® Brand



Fine Controls (UK) LTD, Bassendale Road, Croft Business Park,
Bromborough, Wirral, CH62 3QL UK
Tel: 0151 343 9966
Email: sales@finecontrols.com