

SIEMENS



SITRANS F

Ultrasonic Flowmeters

SITRANS FS230

Compact Operating Instructions

Edition

02/2017

Answers for industry.

English	1
Deutsch	28
Español	55
Français	81
Italiano	108
Nederlands	134

SIEMENS

SITRANS F

Ultrasonic Flowmeters


SITRANS FS230


Compact Operating Instructions


Legal information

Warning notice system

This manual contains notices you have to observe in order to ensure your personal safety, as well as to prevent damage to property. The notices referring to your personal safety are highlighted in the manual by a safety alert symbol, notices referring only to property damage have no safety alert symbol. These notices shown below are graded according to the degree of danger.

 DANGER
indicates that death or severe personal injury will result if proper precautions are not taken.

 WARNING
indicates that death or severe personal injury may result if proper precautions are not taken.

 CAUTION
indicates that minor personal injury can result if proper precautions are not taken.

NOTICE
indicates that property damage can result if proper precautions are not taken.


If more than one degree of danger is present, the warning notice representing the highest degree of danger will be used. A notice warning of injury to persons with a safety alert symbol may also include a warning relating to property damage.

Qualified Personnel

The product/system described in this documentation may be operated only by **personnel qualified** for the specific task in accordance with the relevant documentation, in particular its warning notices and safety instructions. Qualified personnel are those who, based on their training and experience, are capable of identifying risks and avoiding potential hazards when working with these products/systems.

Proper use of Siemens products

Note the following:

 WARNING
Siemens products may only be used for the applications described in the catalog and in the relevant technical documentation. If products and components from other manufacturers are used, these must be recommended or approved by Siemens. Proper transport, storage, installation, assembly, commissioning, operation and maintenance are required to ensure that the products operate safely and without any problems. The permissible ambient conditions must be complied with. The information in the relevant documentation must be observed.

1 Introduction

1.1 Purpose of the documentation

This document contains all essential health and safety information required for safe use of the device.

Before installation and commissioning of the device, the operating instructions on the electronic data medium must be read carefully.

1.2 Revision history

The following table shows major changes in the documentation compared to the previous edition.

Edition	Remarks	FW version	HW version	EDD version	HART device revision
02/2017	<ul style="list-style-type: none">First edition	1.00.00	01	<ul style="list-style-type: none">SIMATIC PDM driver for HART 1.00.00SIMATIC PDM driver for Modbus 1.00.00AMS driver for HART 1.00.00FC475 driver for HART 1,00.00DTM/FDT driver for HART 1.00.00	1

1.3 Designated use

Use the device to measure process medium in accordance with the information in the operating instructions.

Note

Use in a domestic environment

This Class A Group 1 equipment is intended for use in industrial areas.

In a domestic environment this device may cause radio interference.

1.4 Checking the consignment

1. Check the packaging and the delivered items for visible damage.
2. Report any claims for damages immediately to the shipping company.
3. Retain damaged parts for clarification.
4. Check the scope of delivery by comparing your order to the shipping documents for correctness and completeness.

WARNING

Using a damaged or incomplete device

Risk of explosion in hazardous areas.

- Do not use damaged or incomplete devices.

1.5 Security information

Siemens provides products and solutions with industrial security functions that support the secure operation of plants, systems, machines, and networks.

In order to protect plants, systems, machines and networks against cyber threats, it is necessary to implement – and continuously maintain – a holistic, state-of-the-art industrial security concept. Siemens' products and solutions only form one element of such a concept.

Customer is responsible to prevent unauthorized access to its plants, systems, machines and networks. Systems, machines and components should only be connected to the enterprise network or the internet if and to the extent necessary and with appropriate security measures (e.g. use of firewalls and network segmentation) in place.

Additionally, Siemens' guidance on appropriate security measures should be taken into account. You can find more information about industrial security by visiting:

<http://www.siemens.com/industrialsecurity>.

Siemens' products and solutions undergo continuous development to make them more secure. Siemens strongly recommends to apply product updates as soon as available and to always use the latest product versions. Use of product versions that are no longer supported, and failure to apply latest updates may increase customer's exposure to cyber threats.

To stay informed about product updates, subscribe to the Siemens Industrial Security RSS Feed under <http://www.siemens.com/industrialsecurity>.

1.6 Transportation and storage

To guarantee sufficient protection during transport and storage, observe the following:

- Keep the original packaging for subsequent transportation.
- Devices/replacement parts should be returned in their original packaging.
- If the original packaging is no longer available, ensure that all shipments are properly packaged to provide sufficient protection during transport. Siemens cannot assume liability for any costs associated with transportation damages.

NOTICE
Insufficient protection during storage
The packaging only provides limited protection against moisture and infiltration.
<ul style="list-style-type: none">• Provide additional packaging as necessary.

Special conditions for storage and transportation of the device are listed in Technical data (Page 21).

1.7 Notes on warranty

The contents of this manual shall not become part of or modify any prior or existing agreement, commitment or legal relationship. The sales contract contains all obligations on the part of Siemens as well as the complete and solely applicable warranty conditions. Any statements regarding device versions described in the manual do not create new warranties or modify the existing warranty.

The content reflects the technical status at the time of publishing. Siemens reserves the right to make technical changes in the course of further development.


2 Safety notes

2.1 Preconditions for use

This device left the factory in good working condition. In order to maintain this status and to ensure safe operation of the device, observe these instructions and all the specifications relevant to safety.

Observe the information and symbols on the device. Do not remove any information or symbols from the device. Always keep the information and symbols in a completely legible state.

2.1.1 Warning symbols on the device

Symbol	Explanation
	Consult operating instructions

2.1.2 SIL note

Note

Functional safety applications (SIL)

If the device is used in a functional safety application, refer to the functional safety manual.

2.1.3 Laws and directives

Observe the safety rules, provisions and laws applicable in your country during connection, assembly and operation. These include, for example:

- National Electrical Code (NEC - NFPA 70) (USA)
- Canadian Electrical Code (CEC) (Canada)


Further provisions for hazardous area applications are for example:

- IEC 60079-14 (international)
- EN 60079-14 (EC)

The CE marking on the device symbolizes the conformity with the following European directives:

Electromagnetic compatibility EMC 2014/30/EU	Directive of the European Parliament and of the Council on the harmonisation of the laws of the Member States relating to electromagnetic compatibility
Low voltage directive LVD 2014/35/EU	Directive of the European Parliament and of the Council on the harmonisation of the laws of the Member States relating to the making available on the market of electrical equipment designed for use within certain voltage limits
Atmosphère explosible ATEX 2014/34/EU	Directive of the European Parliament and the Council on the harmonisation of the laws of the Member States relating to equipment and protective systems intended for use in potentially explosive atmospheres

The applicable directives can be found in the EU declaration of conformity of the specific device.

 WARNING
Improper device modifications Risk to personnel, system and environment can result from modifications to the device, particularly in hazardous areas. <ul style="list-style-type: none">• Only carry out modifications that are described in the instructions for the device. Failure to observe this requirement cancels the manufacturer's warranty and the product approvals.

2.2 Requirements for special applications

Due to the large number of possible applications, each detail of the described device versions for each possible scenario during commissioning, operation, maintenance or operation in systems cannot be considered in the instructions. If you need additional information not covered by these instructions, contact your local Siemens office or company representative.

Note

Operation under special ambient conditions

We highly recommend that you contact your Siemens representative or our application department before you operate the device under special ambient conditions as can be encountered in nuclear power plants or when the device is used for research and development purposes.

2.3 Use in hazardous areas

Qualified personnel for hazardous area applications

Persons who install, connect, commission, operate, and service the device in a hazardous area must have the following specific qualifications:

- They are authorized, trained or instructed in operating and maintaining devices and systems according to the safety regulations for electrical circuits, high pressures, aggressive, and hazardous media.
- They are authorized, trained, or instructed in carrying out work on electrical circuits for hazardous systems.
- They are trained or instructed in maintenance and use of appropriate safety equipment according to the pertinent safety regulations.

WARNING

Use in hazardous areas

Risk of explosion.

- Only use equipment that is approved for use in the intended hazardous area and labelled accordingly.

WARNING

Loss of safety of device with type of protection "Intrinsic safety Ex i"

If the device has already been operated in non-intrinsically safe circuits or the electrical specifications have not been observed, the safety of the device is no longer ensured for use in hazardous areas. There is a risk of explosion.

- Connect the device with type of protection "Intrinsic safety" solely to an intrinsically safe circuit.
- Observe the specifications for the electrical data on the certificate and/or in Technical data (Page 21).

3 Installing/mounting

3.1 Basic safety notes

CAUTION

Hot surfaces resulting from hot process media

Risk of burns resulting from surface temperatures above 70 °C (155 °F).

- Take appropriate protective measures, for example contact protection.
- Make sure that protective measures do not cause the maximum permissible ambient temperature to be exceeded. Refer to the information in Technical data (Page 21).

WARNING

Exceeded maximum ambient or process media temperature

Danger of explosion in hazardous areas.

Device damage.

- Make sure that the maximum permissible ambient and process media temperatures of the device are not exceeded. Refer to the information in Technical data (Page 21).

WARNING

Open cable inlet or incorrect cable gland

Danger of explosion in hazardous areas.

- Close the cable inlets for the electrical connections. Only use cable glands or plugs which are approved for the relevant type of protection.

3.1.1 Installation location requirements

NOTICE

Strong vibrations

Damage to device.

- In plants with strong vibrations, mount the transmitter in a low vibration environment.

CAUTION

Aggressive atmospheres

Damage to device through penetration of aggressive vapors.

- Ensure that the device is suitable for the application.

CAUTION

Direct sunlight

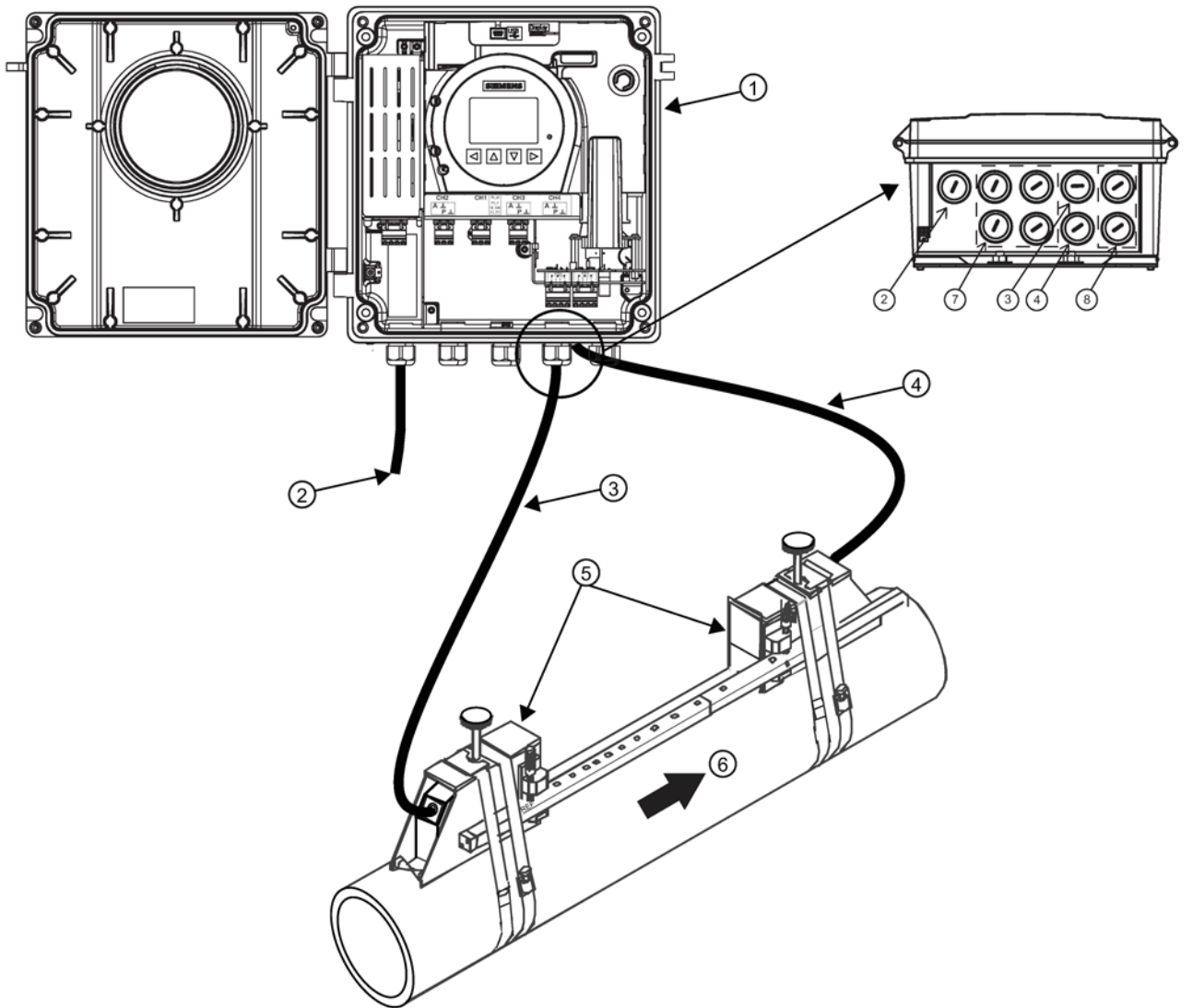
Device damage.

The device can overheat or materials become brittle due to UV exposure.

- Protect the device from direct sunlight.
- Make sure that the maximum permissible ambient temperature is not exceeded. Refer to the information in Technical data (Page 21).

Typical system overview

The illustration below shows a typical transmitter and clamp-on sensor flowmeter configuration.



- | | |
|---------------------------------------|---|
| ① FST030 wall mounted transmitter | ⑤ Sensors |
| ② Power cable | ⑥ Flow direction |
| ③ Upstream sensor cable (1A) Path 1 | ⑦ Ports for I/O, Communications, RTDs |
| ④ Downstream sensor cable (1B) Path 1 | ⑧ Path 2 - Upstream (2A), Downstream (2B). (Ports for Path 2 sensor cables, if applicable.) |

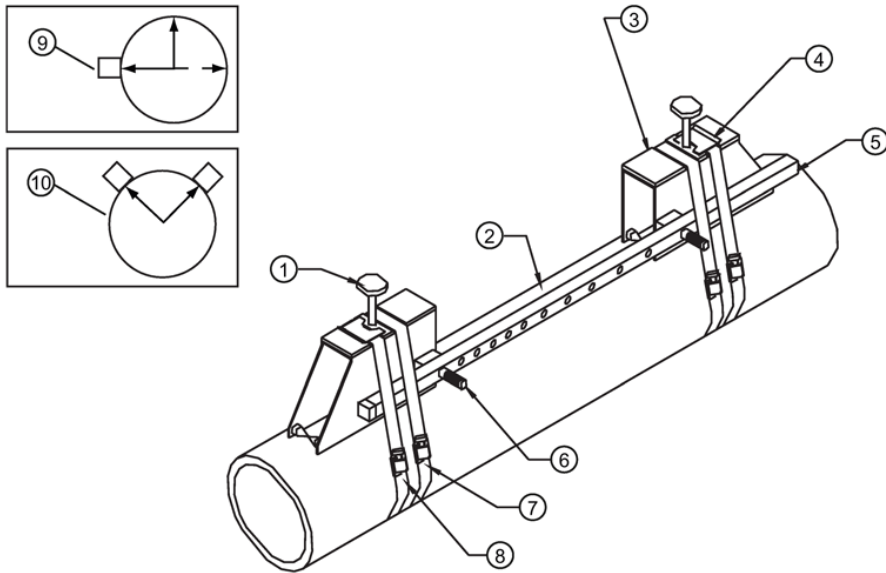
Figure 3-1 Wall mount transmitter overview (Reflect mount)

3.2 Installing sensors in Reflect mount

Reflect mount - Sensor installation using mounting frames and spacer bar

1. Use the Wizard setup procedure to program the meter for application parameters such as pipe size, liquid type, and sensor size. Once entered the transmitter will return a spacing index number appropriate for the application.
2. Using the supplied space bar, set the distance between the sensors according to the spacing index number provided by transmitter. The spacing index provides the correct distance apart for the sensors based on the pipe size given.

Before continuing refer to the Reflect mount installation diagram example below.



- ① Sensor clamping screw
- ② Customer pipe
- ③ 7ME39600*** Mounting Frame
- ④ Spring Clip (not present on some mounting frame models)
- ⑤ Spacer bar
- ⑥ Spacer bar pin and reference hole
- ⑦ Mounting strap
- ⑧ Larger pipes may need additional mounting straps
- ⑨ Orientation for Single path sensor at the 9 o'clock position
- ⑩ Orientation for Dual path sensor at the 10 and 2 o'clock positions

Figure 3-2 Reflect mount

3.3 Terminal Layout

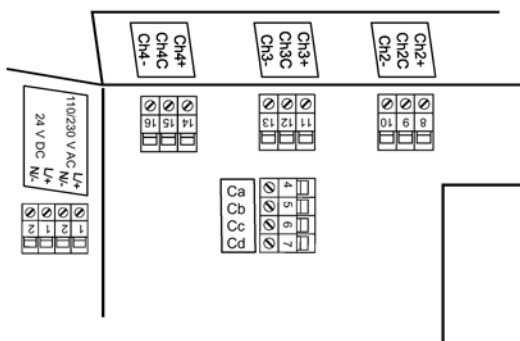


Figure 3-3 Terminal layout - wall mount housing

HW configuration	SW configuration	Terminals															
		Power Supply			Channel 1			Channel 2			Channel 3			Channel 4			
		1	2	3	4	5	6	8	9	10	11	12	13	14	15	16	
Power Supply		L	N	⊕													
Channel 1 HART	Current output HART				Active		Passive										
Channel 2 output	Current, Frequency, Pulse and Status						Active		Passive								
Channels 3 and 4 Input/output	Outputs: Current, Frequency, Pulse and status Inputs: Digital and Current									Active		Active		Passive			
Channels 3 and 4 Relay	Status output									NC		NC		NO			
										NO		NO		NO			

Figure 3-4 Termination/configuration overview (HART)

3.4 Incorrect mounting

NOTICE

Incorrect mounting

The device can be damaged, destroyed, or its functionality impaired through improper mounting.

- Before installing ensure there is no visible damage to the device.
- Mount the device using suitable tools. See operating instructions.



CAUTION

Loss of type of protection

Damage to device if the enclosure is open or not properly closed. The type of protection specified on the nameplate or in Technical data (Page 21) is no longer guaranteed.

- Make sure that the device is securely closed.

3.5 Disassembly



WARNING

Incorrect disassembly

The following risks may result through incorrect disassembly:

- Injury through electric shock
- Risk through emerging media when connected to the process
- Risk of explosion in hazardous area

In order to disassemble correctly, observe the following:

- Before starting work, make sure that you have switched off all physical variables such as pressure, temperature, electricity etc. or that they have a harmless value.
- If the device contains hazardous media, it must be emptied prior to disassembly. Make sure that no environmentally hazardous media are released.
- Secure the remaining connections so that no damage can result if the process is started unintentionally.

4 Connecting

4.1 Basic safety notes

WARNING

Unsuitable cables, cable glands and/or plugs

Risk of explosion in hazardous areas.

- Use only cable glands/plugs that comply with the requirements for the relevant type of protection.
- Tighten the cable glands in accordance with the torques specified in Transmitter (Page 12).
- Close unused cable inlets for the electrical connections.
- When replacing cable glands use only cable glands of the same type.
- After installation check that the cables are seated firmly.

WARNING

Hazardous contact voltage

Risk of electric shock in case of incorrect connection.

- For the electrical connection specifications, refer to the information in Technical data (Page 21).
- At the mounting location of the device observe the applicable directives and laws for installation of electrical power installations with rated voltages below 1000 V.

NOTICE

Condensation in the device

Damage to device through formation of condensation if the temperature difference between transportation or storage and the mounting location exceeds 20 °C (36 °F).

- Before taking the device into operation let the device adapt for several hours in the new environment.

WARNING

Missing PE/ground connection

Risk of electric shock.

Depending on the device version, connect the power supply as follows:

- **Power plug:** Ensure that the used socket has a PE/ground conductor connection. Check that the PE/ground conductor connection of the socket and power plug match each other.
- **Connecting terminals:** Connect the terminals according to the terminal connection diagram. First connect the PE/ground conductor.

NOTICE

Ambient temperature too high

Damage to cable sheath.

- At an ambient temperature ≥ 60 °C (140 °F), use heat-resistant cables suitable for an ambient temperature at least 20 °C (36 °F) higher.

WARNING

Improper power supply

Risk of explosion in hazardous areas as result of incorrect power supply, e.g. using direct current instead of alternating current.

- Connect the device in accordance with the specified power supply and signal circuits. The relevant specifications can be found in the certificates, in Technical data (Page 21) or on the nameplate.

 **WARNING**

Lack of equipotential bonding

Risk of explosion through compensating currents or ignition currents through lack of equipotential bonding.

- Ensure that the device is potentially equalized.

Exception: It may be permissible to omit connection of the equipotential bonding for devices with type of protection "Intrinsic safety Ex i".

 **WARNING**

Unprotected cable ends

Risk of explosion through unprotected cable ends in hazardous areas.

- Protect unused cable ends in accordance with IEC/EN 60079-14.

 **WARNING**

Improper laying of shielded cables

Risk of explosion through compensating currents between hazardous area and the non-hazardous area.

- Shielded cables that cross into hazardous areas should be grounded only at one end.
- If grounding is required at both ends, use an equipotential bonding conductor.

 **WARNING**

Insufficient isolation of intrinsically safe and non-intrinsically safe circuits

Risk of explosion in hazardous areas.

- When connecting intrinsically safe and non-intrinsically safe circuits ensure that isolation is carried out properly in accordance with local regulations for example IEC 60079-14.
- Ensure that you observe the device approvals applicable in your country.

 **WARNING**

Connecting device in energized state

Risk of explosion in hazardous areas.

- Connect devices in hazardous areas only in a de-energized state.

Exceptions:

- Devices having the type of protection "Intrinsic safety Ex i" may also be connected in energized state in hazardous areas.
- Exceptions for type of protection "Non-sparking nA" (Zone 2) are regulated in the relevant certificate.

Note

Electromagnetic compatibility (EMC)

You can use this device in industrial environments, households and small businesses.

For metal housings there is an increased electromagnetic compatibility compared to high-frequency radiation. This protection can be increased by grounding the housing, see Technical data (Page 21).

Note

Improvement of interference immunity

- Lay signal cables separate from cables with voltages > 60 V.
 - Use cables with twisted wires.
 - Keep device and cables in distance to strong electromagnetic fields.
 - Use shielded cables to guarantee the full specification according to HART.
 - Connect a load resistor of at least 230 Ω in series in the signal circuit in order to guarantee fault-free HART communication. When power supply isolators are used for SITRANS HART transmitters, a load resistor is already installed in the device.
-

4.2 Transmitter

Preparing for the connection

1. Loosen the four lid screws.
2. Open the lid.
3. Remove F-connector tool from wall mount housing.

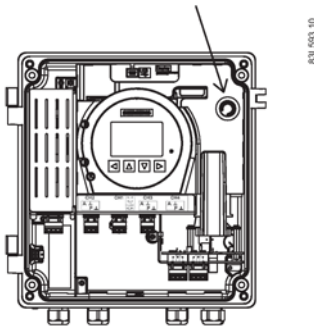
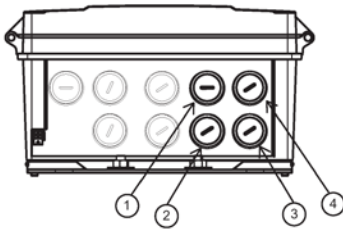


Figure 4-1 F-connector tool location

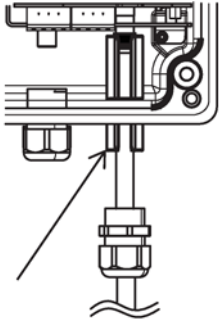
Connecting the flow sensor cables

When connecting the sensors it is required for the system to function that the sensor cables are connected correctly. Both sensor cables for each path must be connected to the same port numbers (1A and 1B or 2A and 2B) on the transmitter.



The sensor cables are delivered with a premounted F-connector at transmitter end.

1. Remove blind plug from wall mount housing.
2. Slide the cable gland back onto the cable and allow access for the F-connector tool.
3. Place F-connector tool around cable and slide up to engage F-connector nut.
4. Push cable through gland opening. Ensure that center lead is aligned with connector port in transmitter.
5. Tighten F-connector using tool until you meet mechanical stop.



6. Remove F-connector tool.
 7. Mount and tighten cable gland.
- Repeat these steps for each sensor cable.

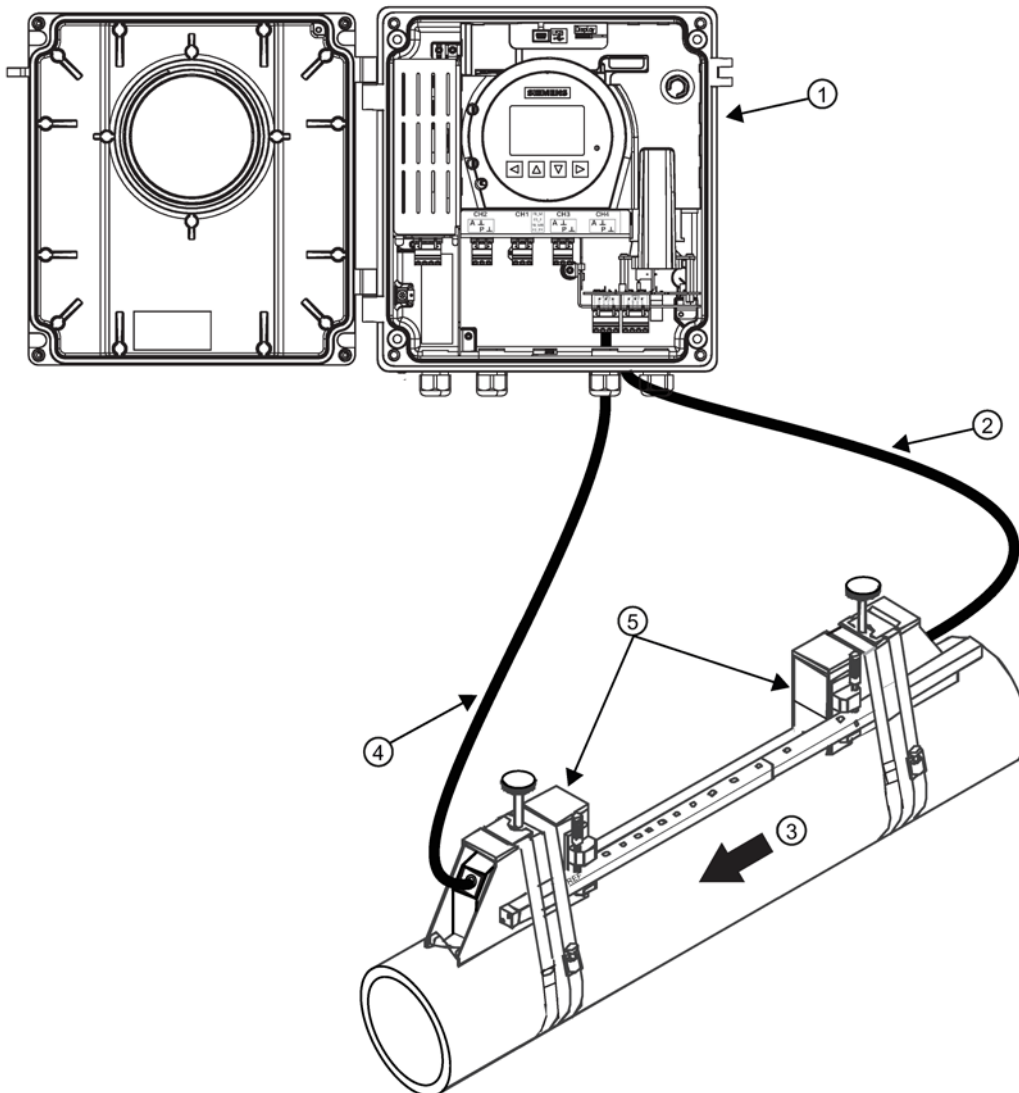
4.3 Wall mount

Note

The following example is shown in the Reflect mount sensor configuration.

Connect sensor cables to the wall mounted transmitter as follows:

1. Fill connector end with Super Lube prior to connecting.
2. Apply Super Lube to the internal threads at the large end of the thread connector.
3. Observing the upstream and downstream orientation ③, connect upstream sensor cable ② to the transmitter port (1A) and make connection snug.
4. Connect the downstream sensor cable ④ to the transmitter port (1B) and make connection snug.



- | | |
|-------------------------------------|---------------------------------------|
| ① Wall mounted transmitter | ④ Downstream sensor cable (1B) Path 1 |
| ② Upstream sensor cable (1A) Path 1 | ⑤ Sensors |
| ③ Flow direction | |

Figure 4-2 Wall mount housing with transmitter-to- sensor cable connections

5. Tighten all cable glands to obtain optimum sealing.
6. Refer to transmitter FST030 Operating Instructions to program transmitter.

4.4 HI Precision mount

Single enclosure Reflect mount wiring

Connect sensor cables to the transmitter as follows:

1. Fill connector end with Super Lube prior to connecting.
2. Apply Super Lube to the internal threads at the large end of the thread connector.
3. Observing the upstream and downstream orientation ③, connect upstream sensor cable ② to transmitter port (1A) and make connection snug.
4. Connect downstream sensor cable ④ to the transmitter port (1B) and make connection snug.

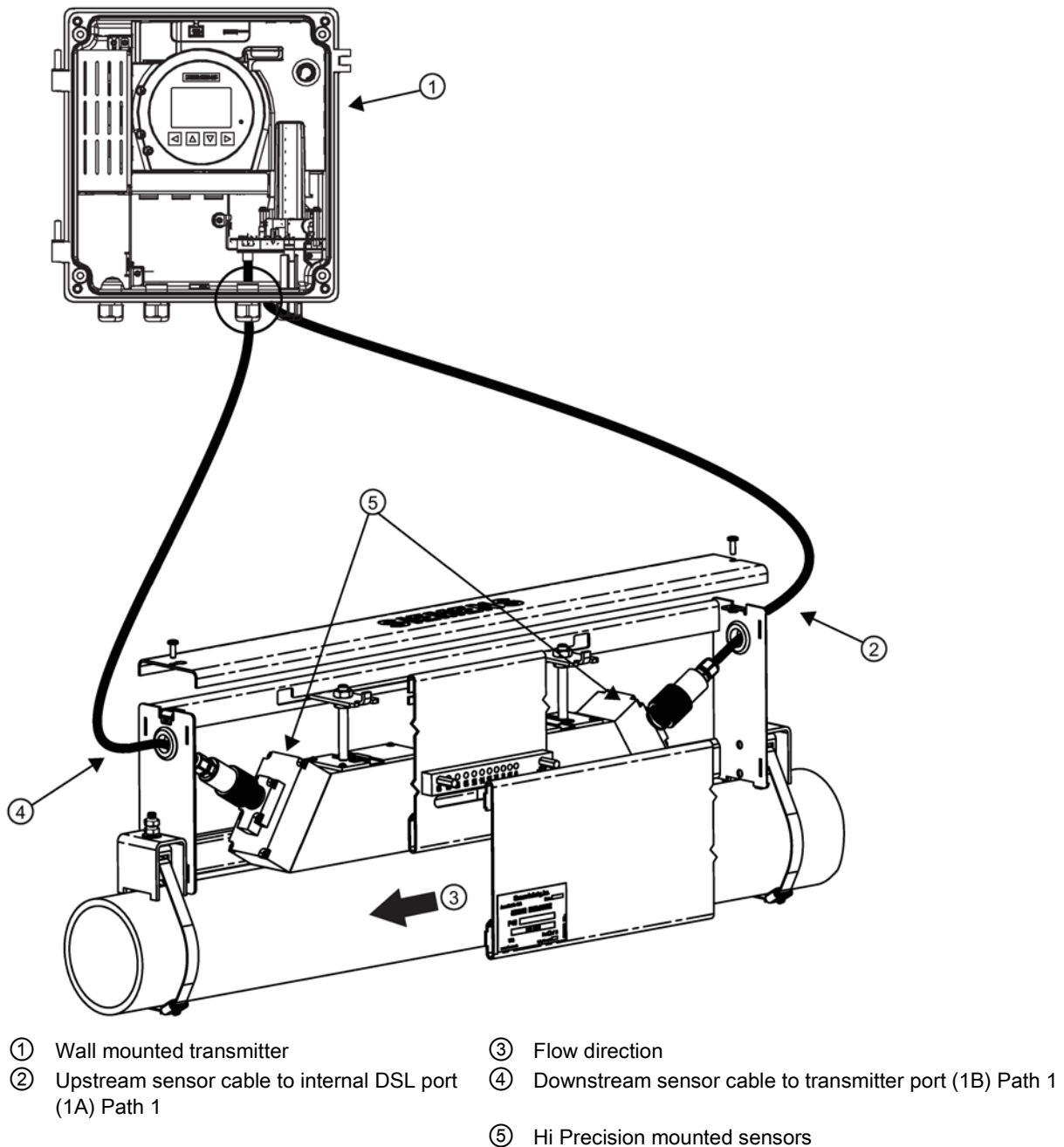


Figure 4-3 Hi Precision Reflect mount single enclosure wiring

5. Tighten all cable glands to obtain optimum sealing.

Dual enclosure Reflect mount wiring

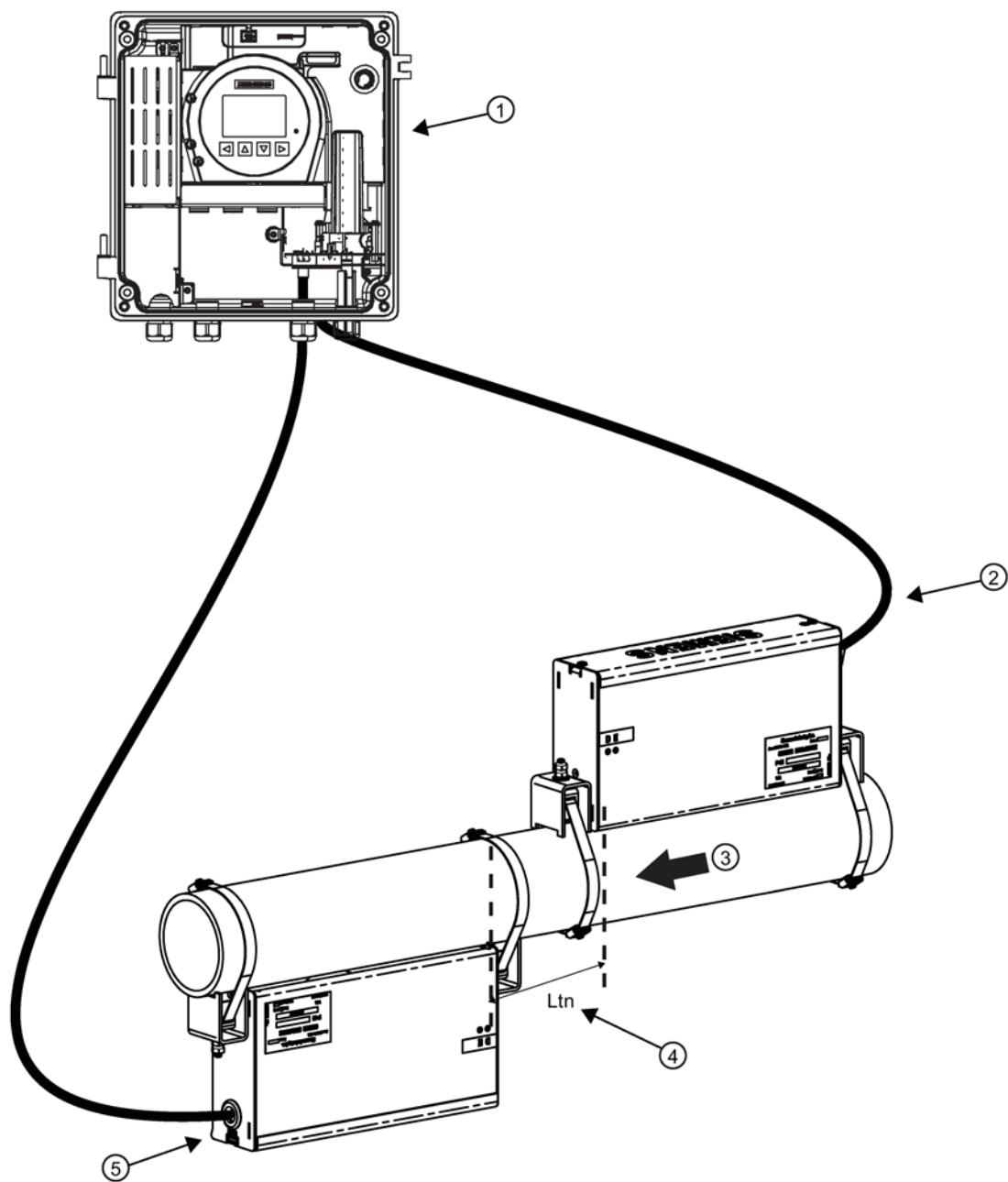
Referring to the Hi Precision single enclosure reflect mount figure above, connect the Hi Precision mount reflect Dual enclosure sensor cables to the transmitter ports as follows:

1. Observing the upstream and downstream orientation ③, connect sensor cables to transmitter ports.
2. Tighten all cable glands to obtain optimum sealing.
3. Refer to transmitter FST030 Operating Instructions to program transmitter.

Dual enclosure direct mount wiring

Connect sensor cables to the DSL and transmitter as follows:

1. Fill connector end with Super Lube prior to connecting.
2. Apply Super Lube to the internal threads at the large end of the thread connector.
3. Observing the upstream and downstream orientation ③, connect upstream sensor cable ② to transmitter port (1A) and make connection snug.
4. Connect downstream sensor cable ⑤ to transmitter port (1B) and make connection snug.



- ① Wall mounted transmitter
- ② Upstream sensor cable to transmitter port (1A) Path 1
- ③ Flow direction
- ④ Ltn (spacing distance between sensors)
- ⑤ Downstream sensor cable to transmitter port (1B) Path 1

Figure 4-4 HI Precision Direct mount Dual enclosure sensor wiring

5. Tighten all cable glands to obtain optimum sealing.
6. Refer to transmitter FST030 Operating Instructions to program transmitter.

5 Commissioning

5.1 Basic Safety Notes

5.1.1 Toxic gases and liquids

DANGER

Toxic gases and liquids

Danger of poisoning when venting the device: if toxic process media are measured, toxic gases and liquids can be released.

- Before venting ensure that there are no toxic gases or liquids in the device, or take the appropriate safety measures.

WARNING

Commissioning and operation with pending error

If an error message appears, correct operation in the process is no longer guaranteed.

- Check the gravity of the error.
- Correct the error.
- If the error still exists:
 - Take the device out of operation.
 - Prevent renewed commissioning.

5.1.2 Improper commissioning in hazardous areas

WARNING

Improper commissioning in hazardous areas

Device failure or risk of explosion in hazardous areas.

- Do not commission the device until it has been mounted completely and connected in accordance with the information in Technical data (Page 21).
- Before commissioning take the effect on other devices in the system into account.

5.1.3 Opening device in energized state

WARNING

Opening device in energized state

Risk of explosion in hazardous areas

- Only open the device in a de-energized state.
- Check prior to commissioning that the cover, cover locks, and cable inlets are assembled in accordance with the directives.


Exception: Devices having the type of protection "Intrinsic safety Ex i" may also be opened in energized state in hazardous areas.

CAUTION


Loss of type of protection


Damage to device if the enclosure is open or not properly closed. The type of protection specified on the nameplate or in Technical data (Page 21) is no longer guaranteed.

- Make sure that the device is securely closed.


 WARNING
Hazardous contact voltage Risk of injury through hazardous contact voltage when the device is open or not completely closed. The degree of protection specified on the nameplate or in Technical data (Page 21) is no longer guaranteed if the device is open or not properly closed.
<ul style="list-style-type: none"> • Make sure that the device is securely closed.

5.1.4 Risk of explosion when medium above 100 °C flows through the process flange

 WARNING
Risk of explosion when medium above 100 °C flows through the process flange Explosion protection is no longer guaranteed and the approval is nullified. It is prohibited for medium above 100 °C to continually flow through the process flange.

 WARNING
Loss of explosion protection Risk of explosion in hazardous areas if the device is open or not properly closed.
<ul style="list-style-type: none"> • Close the device as described in Connecting (Page 10).

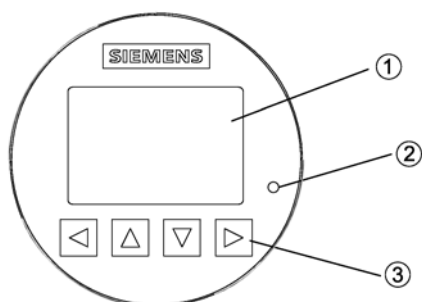
5.1.5 Hot surfaces

 WARNING
Hot surfaces Risk of burns resulting from hot surfaces.
<ul style="list-style-type: none"> • Take corresponding protective measures, for example by wearing protective gloves.

5.2 Local display

The device is commissioned/operated with the touch keypad on the local display.

The elements are actuated by touching the glass panel on the appropriate key. Pressing harder will not activate the key, but using a thumb instead of a finger tip will help. The text display above the operating elements gives a menu-guided operation of the individual device function/parameters. Successful operation of the key is confirmed by a small green LED at the right of the display.



- ① Full graphical display
- ② LED (for indication of key operation)
- ③ Touch keypad

Figure 5-1 Local display

Note**(Re-)calibration of the keypad**

When the lid is closed, all keys are (re-)calibrated (< 5 seconds). During (re-)calibration the LED is on and the keys cannot be operated.

If one of the keys is pressed for more than 10 seconds, the (re-)calibration of this key begins which has a duration of less than 10 seconds. Release the key for further operation.

Note**HMI timeout**

If no key is pressed for 10 minutes, the display switches to show operation view. If Backlight is set to Automatic, display backlight goes off automatically 30 seconds after the last keypress.

Note

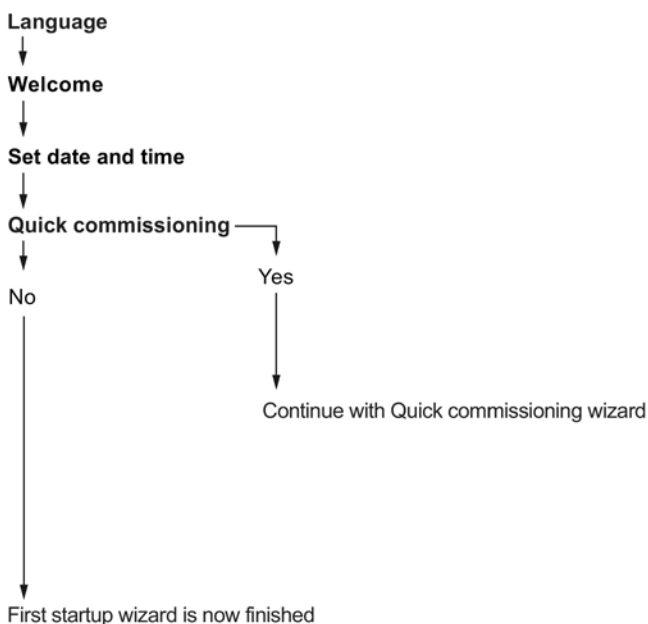
Operation does not require opening of the device. This means that the high degree of protection of IP67 and safety in hazardous areas are guaranteed at all times.

5.3 Initial startup

The first time the device is powered up, you will be prompted to set the language. The device always starts up showing Language in English. When the language has been set, you will be prompted to set the date and time.

Before using the flow meter for the first time, essential parameters should be considered. After confirming/changing date and time you can choose to accept the default values or start the Quick commissioning wizard.

You will be asked if you want to start the Quick commissioning wizard. If you choose Yes (recommended), the Quick commissioning wizard will start. If you choose No, you accept the default values of the device, and the next HMI view will be the operation view 1.

Start**Text**

Language

Welcome

Set date and time

Quick commissioning

Options/description

Set the language: English, Deutsch, Français, Italiano, Español, 汉语

Information about the Quick commissioning wizard

The set date and time (real time clock) is used for all time stamps of logged information

The Quick commissioning wizard comprises the most important parameters/menus for quick configuration of the flowmeter

6 Technical data

6.1 Power

Table 6-1 Power supply

Description	Specification
Supply voltage	<ul style="list-style-type: none"> 100 to 240 V AC +10/-10%, 47 to 63 Hz 20 to 27 V DC +10/-10%
Power consumption	15 VA/7.5 W
Fluctuation	<ul style="list-style-type: none"> Transient overvoltages up to the levels of overvoltage category II Temporary overvoltages occurring on mains supply only
Reverse polarity protection (y / n)	Y
Galvanic isolation	3000 V AC

6.2 HART interface

Table 6-2 HART communication

Description	Specification
HART revision	7.5
Supported Device Managers	SIMATIC PDM V8.2 SP1 or newer
Supported Device Description (EDD)	V1.00.00

6.3 Operating conditions

Table 6-3 Basic conditions

Description		Specification
Ambient temperature (Humidity max. 90 %)	Operation: Transmitter without display Display	-40 to +60 °C (-40 to +140 °F) -20 to +60 °C (-4 to +140 °F)
Ambient temperature (Humidity max. 90 %)	Storage:	-40 to +70 °C (-40 to +158 °F)
Climate class		DIN 60721-3-4
Altitude		Up to 2000 m (6560 ft)
Relative humidity		95 %
Bump resistance		On request
Shock resistance		On request
Thermal shock		On request
Vibration resistance		On request
EMC performance	<ul style="list-style-type: none"> Emission Immunity 	<ul style="list-style-type: none"> EN 55011 / CISPR-11 EN/IEC 61326-1 (Industry) NAMUR NE 21

Table 6-4 Process medium conditions

Description	Specification
Process medium temperature (T_s) (min to max)	-50 to +200 °C (-58 to 492 °F)
Process medium density (min to max)	1 to 5000 kg/m ³ (0.06 to 312 lb/ft ³)
Process medium gauge pressure (min to max)	0 to 160 bar (0 to 2321 psi)
Process medium absolute pressure (min to max)	Stainless steel: 1 to 101 bar (14.5 to 1465 psi) Hastelloy: 1 to 161 bar (14.5 to 2335 psi)
Process medium viscosity	Gases and non-compressible liquids

7 Service and maintenance

7.1 Basic safety notes

Note

The device is maintenance-free.

7.1.1 Maintenance

The device is maintenance-free. However, a periodic inspection according to pertinent directives and regulations must be carried out.

An inspection can include check of:

- Ambient conditions
- Seal integrity of the process connections, cable entries, and cover screws
- Reliability of power supply, lightning protection, and grounds

NOTICE

Repair and service must be carried out by Siemens authorized personnel only.

Note

Siemens defines flow sensors as non-repairable products.

WARNING

Impermissible repair and maintenance of the device

- Repair and maintenance must be carried out by Siemens authorized personnel only.

WARNING

Impermissible repair of explosion protected devices

Risk of explosion in hazardous areas

- Repair must be carried out by Siemens authorized personnel only.

WARNING

Dust layers above 5 mm

Risk of explosion in hazardous areas.

Device may overheat due to dust build up.

- Remove dust layers in excess of 5 mm.

NOTICE

Penetration of moisture into the device

Device damage.

- Make sure when carrying out cleaning and maintenance work that no moisture penetrates the inside of the device.

CAUTION

Releasing button lock

Improper modification of parameters could influence process safety.

- Make sure that only authorized personnel may cancel the button locking of devices for safety-related applications.

7.2 Cleaning

Cleaning the enclosure

- Clean the outside of the enclosure with the inscriptions and the display window using a cloth moistened with water or a mild detergent.
- Do not use any aggressive cleansing agents or solvents, e.g. acetone. Plastic parts or the painted surface could be damaged. The inscriptions could become unreadable.

WARNING

Electrostatic charge

Risk of explosion in hazardous areas if electrostatic charges develop, for example, when cleaning plastic surfaces with a dry cloth.

- Prevent electrostatic charging in hazardous areas.

7.3 Maintenance and repair work

WARNING

Maintenance during continued operation in a hazardous area

There is a risk of explosion when carrying out repairs and maintenance on the device in a hazardous area.

- Isolate the device from power.
- or -
- Ensure that the atmosphere is explosion-free (hot work permit).

WARNING

Impermissible accessories and spare parts

Risk of explosion in areas subject to explosion hazard.

- Only use original accessories or original spare parts.
- Observe all relevant installation and safety instructions described in the instructions for the device or enclosed with the accessory or spare part.

WARNING

Humid environment

Risk of electric shock.

- Avoid working on the device when it is energized.
- If working on an energized device is necessary, ensure that the environment is dry.
- Make sure when carrying out cleaning and maintenance work that no moisture penetrates the inside of the device.

CAUTION

Hot surfaces

Risk of burns during maintenance work on parts having surface temperatures exceeding 70 °C (158 °F).

- Take corresponding protective measures, for example by wearing protective gloves.
- After carrying out maintenance, remount touch protection measures.

 **WARNING**

Enclosure open

Risk of explosion in hazardous areas as a result of hot components and/or charged capacitors inside the device.

To open the device in a hazardous area:

1. Isolate the device from power.
2. Observe the wait time specified in Technical data (Page 21) or on the warning sign before opening the device.
3. Visually inspect sensor inlet and outlet.

Exception: Devices exclusively having the type of protection "Intrinsic safety Ex i" may be opened in an energized state in hazardous areas.

 **WARNING**

Improper connection after maintenance

Risk of explosion in areas subject to explosion hazard.

- Connect the device correctly after maintenance.
- Close the device after maintenance work.

Refer to Connecting (Page 10).

7.4 Return procedure

Enclose the bill of lading, return document and decontamination certificate in a clear plastic pouch and attach it firmly to the outside of the packaging.

Required forms

- Delivery note
- Return goods delivery note (<http://www.siemens.com/processinstrumentation/returngoodsnote>) with the following information:
 - Product (item description)
 - Number of returned devices/replacement parts
 - Reason for returning the item(s)

- Decontamination declaration (<http://www.siemens.com/sc/declarationofdecontamination>)

With this declaration you warrant "that the device/replacement part has been carefully cleaned and is free of residues. The device/replacement part does not pose a hazard for humans and the environment."

If the returned device/replacement part has come into contact with poisonous, corrosive, flammable or water-contaminating substances, you must thoroughly clean and decontaminate the device/replacement part before returning it in order to ensure that all hollow areas are free from hazardous substances. Check the item after it has been cleaned.

Any devices/replacement parts returned without a decontamination declaration will be cleaned at your expense before further processing.

7.5 Disposal



Devices described in this manual should be recycled. They may not be disposed of in the municipal waste disposal services according to the Directive 2012/19/EC on waste electronic and electrical equipment (WEEE).

Devices can be returned to the supplier within the EC, or to a locally approved disposal service for eco-friendly recycling. Observe the specific regulations valid in your country.

Further information about devices containing batteries can be found at: Information about battery / product return (WEEE) (<https://support.industry.siemens.com/cs/document/109479891/>)

A Appendix A

Technical Support

If this documentation does not provide complete answers to any technical questions you may have, contact Technical Support at:

- Support request (<http://www.siemens.com/automation/support-request>)
- More information about our Technical Support is available at Technical Support (<http://www.siemens.com/automation/csi/service>)

Internet Service & Support

In addition to our documentation, Siemens provides a comprehensive support solution at:

- Services & Support (<http://www.siemens.com/automation/service&support>)

Personal contact

If you have additional questions about the device, please contact your Siemens personal contact at:

- Partner (<http://www.automation.siemens.com/partner>)

In order to find the contact for your product, select under 'All Products and Branches' the path 'Automation Technology > Sensor Systems'.

Documentation

You can find documentation on various products and systems at:

- Instructions and manuals Instructions and manuals (<http://www.siemens.com/processinstrumentation/documentation>)

A.1 Certificates

You can find certificates on the Internet at Certificates (<http://www.siemens.com/processinstrumentation/certificates>) or on an included DVD.

Trademarks

All names identified by ® are registered trademarks of Siemens AG. The remaining trademarks in this publication may be trademarks whose use by third parties for their own purposes could violate the rights of the owner.

Disclaimer of Liability

We have reviewed the contents of this publication to ensure consistency with the hardware and software described. Since variance cannot be precluded entirely, we cannot guarantee full consistency. However, the information in this publication is reviewed regularly and any necessary corrections are included in subsequent editions.

Siemens AG
Division Process Industries and Drives
Postfach 48 48
90026 NÜRNBERG
GERMANY

SITRANS FS230
A5E38755607, 02/2017

SIEMENS

SITRANS F

Ultraschall-Durchflussmessgeräte



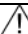
SITRANS FS230

Kompaktbetriebsanleitung

Rechtliche Hinweise

Warnhinweiskonzept

Dieses Handbuch enthält Hinweise, die Sie zu Ihrer persönlichen Sicherheit sowie zur Vermeidung von Sachschäden beachten müssen. Die Hinweise zu Ihrer persönlichen Sicherheit sind durch ein Warndreieck hervorgehoben, Hinweise zu alleinigen Sachschäden stehen ohne Warndreieck. Je nach Gefährdungsstufe werden die Warnhinweise in abnehmender Reihenfolge wie folgt dargestellt.

 GEFAHR
bedeutet, dass Tod oder schwere Körperverletzung eintreten wird , wenn die entsprechenden Vorsichtsmaßnahmen nicht getroffen werden.
 WARNUNG
bedeutet, dass Tod oder schwere Körperverletzung eintreten kann , wenn die entsprechenden Vorsichtsmaßnahmen nicht getroffen werden.
 VORSICHT
bedeutet, dass eine leichte Körperverletzung eintreten kann, wenn die entsprechenden Vorsichtsmaßnahmen nicht getroffen werden.
ACHTUNG
bedeutet, dass Sachschaden eintreten kann, wenn die entsprechenden Vorsichtsmaßnahmen nicht getroffen werden.


Beim Auftreten mehrerer Gefährdungsstufen wird immer der Warnhinweis zur jeweils höchsten Stufe verwendet. Wenn in einem Warnhinweis mit dem Warndreieck vor Personenschäden gewarnt wird, dann kann im selben Warnhinweis zusätzlich eine Warnung vor Sachschäden angefügt sein.

Qualifiziertes Personal

Das zu dieser Dokumentation zugehörige Produkt/System darf nur von für die jeweilige Aufgabenstellung **qualifiziertem Personal** gehandhabt werden unter Beachtung der für die jeweilige Aufgabenstellung zugehörigen Dokumentation, insbesondere der darin enthaltenen Sicherheits- und Warnhinweise. Qualifiziertes Personal ist auf Grund seiner Ausbildung und Erfahrung befähigt, im Umgang mit diesen Produkten/Systemen Risiken zu erkennen und mögliche Gefährdungen zu vermeiden.

Bestimmungsgemäßer Gebrauch von Siemens-Produkten

Beachten Sie Folgendes:

 WARNUNG
Siemens-Produkte dürfen nur für die im Katalog und in der zugehörigen technischen Dokumentation vorgesehenen Einsatzfälle verwendet werden. Falls Fremdprodukte und -komponenten zum Einsatz kommen, müssen diese von Siemens empfohlen bzw. zugelassen sein. Der einwandfreie und sichere Betrieb der Produkte setzt sachgemäßen Transport, sachgemäße Lagerung, Aufstellung, Montage, Installation, Inbetriebnahme, Bedienung und Instandhaltung voraus. Die zulässigen Umgebungsbedingungen müssen eingehalten werden. Hinweise in den zugehörigen Dokumentationen müssen beachtet werden.

1 Einleitung

1.1 Zweck dieser Dokumentation

Dieses Dokument enthält alle wesentlichen Gesundheits- und Sicherheitsinformationen, die für den sicheren Betrieb des Gerätes benötigt werden.

Lesen Sie vor Einbau und Inbetriebnahme des Gerätes sorgfältig die Betriebsanleitung auf dem elektronischen Datenträger.

1.2 Revisionsüberblick

Die folgende Übersicht zeigt die wichtigsten Änderungen in der Dokumentation gegenüber der früheren Ausgabe.

Ausgabe	Bemerkungen	FW-Version	HW-Version	EDD-Version	HART-Geräterevision
02/2017	<ul style="list-style-type: none">Erstausgabe	1.00.00	01	<ul style="list-style-type: none">SIMATIC PDM-Treiber für HART 1.00.00SIMATIC PDM-Treiber für Modbus 1.00.00AMS-Treiber für HART 1.00.00FC475-Treiber für HART 1.00.00DTM/FDT-Treiber für HART 1.00.00	1

1.3 Bestimmungsgemäßer Gebrauch

Dieses Gerät ist zur Messung von Messstoffen gemäß den Informationen in der Betriebsanleitung bestimmt.

Hinweis

Nutzung in häuslicher Umgebung

Diese Einrichtung der Klasse A Gruppe 1 ist für den Einsatz im industriellen Bereich vorgesehen.

In häuslicher Umgebung kann das Gerät Funkstörungen verursachen.

1.4 Überprüfung der Lieferung

1. Prüfen Sie die Verpackung und die gelieferten Artikel auf sichtbare Schäden.
2. Melden Sie alle Schadenersatzansprüche unverzüglich dem Spediteur.
3. Bewahren Sie beschädigte Teile bis zur Klärung auf.
4. Prüfen Sie den Lieferumfang durch Vergleichen Ihrer Bestellung mit den Lieferpapieren auf Richtigkeit und Vollständigkeit.



WARNUNG

Einsatz eines beschädigten oder unvollständigen Geräts

Explosionsgefahr in explosionsgefährdeten Bereichen.

- Benutzen Sie keine beschädigten oder unvollständigen Geräte.

1.5 Security-Hinweise

Siemens bietet Produkte und Lösungen mit Industrial Security-Funktionen an, die den sicheren Betrieb von Anlagen, Systemen, Maschinen und Netzwerken unterstützen.

Um Anlagen, Systeme, Maschinen und Netzwerke gegen Cyber-Bedrohungen zu sichern, ist es erforderlich, ein ganzheitliches Industrial Security-Konzept zu implementieren (und kontinuierlich aufrechtzuerhalten), das dem aktuellen Stand der Technik entspricht. Die Produkte und Lösungen von Siemens formen nur einen Bestandteil eines solchen Konzepts.

Der Kunde ist dafür verantwortlich, unbefugten Zugriff auf seine Anlagen, Systeme, Maschinen und Netzwerke zu verhindern. Systeme, Maschinen und Komponenten sollten nur mit dem Unternehmensnetzwerk oder dem Internet verbunden werden, wenn und soweit dies notwendig ist und entsprechende Schutzmaßnahmen (z. B. Nutzung von Firewalls und Netzwerksegmentierung) ergriffen wurden.

Zusätzlich sollten die Empfehlungen von Siemens zu entsprechenden Schutzmaßnahmen beachtet werden. Weiterführende Informationen über Industrial Security finden Sie unter:

<http://www.siemens.com/industrialsecurity>

Die Produkte und Lösungen von Siemens werden ständig weiterentwickelt, um sie noch sicherer zu machen. Siemens empfiehlt ausdrücklich, Aktualisierungen durchzuführen, sobald die entsprechenden Updates zur Verfügung stehen und immer nur die aktuellen Produktversionen zu verwenden. Die Verwendung veralteter oder nicht mehr unterstützter Versionen kann das Risiko von Cyber-Bedrohungen erhöhen.

Um stets über Produkt-Updates informiert zu sein, abonnieren Sie den Siemens Industrial Security RSS Feed unter:

<http://www.siemens.com/industrialsecurity>

1.6 Transport und Lagerung

Um einen ausreichenden Schutz während des Transports und der Lagerung zu gewährleisten, beachten Sie Folgendes:

- Bewahren Sie die Originalverpackung für den Weitertransport auf.
- Senden Sie Geräte und Ersatzteile in der Originalverpackung zurück.
- Wenn die Originalverpackung nicht mehr vorhanden ist, sorgen Sie dafür, dass alle Sendungen durch die Ersatzverpackung während des Transports ausreichend geschützt sind. Für zusätzliche Kosten aufgrund von Transportschäden haftet Siemens nicht.

ACHTUNG

Unzureichender Schutz bei Lagerung

Die Verpackung bietet nur eingeschränkten Schutz gegen Feuchtigkeit und Infiltration.

- Sorgen Sie gegebenenfalls für zusätzliche Verpackung.

Hinweise zu besonderen Bedingungen für Lagerung und Transport des Geräts finden Sie im Kapitel Technische Daten (Seite 47).

1.7 Hinweise zur Gewährleistung

Der Inhalt dieser Anleitung ist weder Teil einer früheren oder bestehenden Vereinbarung, Zusage oder eines früheren oder bestehenden Rechtsverhältnisses noch soll er diese abändern. Sämtliche Verpflichtungen der Siemens AG ergeben sich aus dem jeweiligen Kaufvertrag, der auch die vollständige und alleingültige Gewährleistungsregelung enthält. Diese vertraglichen Gewährleistungsbestimmungen werden durch die Ausführungen der Anleitung weder erweitert noch beschränkt.

Der Inhalt spiegelt den technischen Stand zum Zeitpunkt der Veröffentlichung wider. Technische Änderungen sind im Zuge der Weiterentwicklung vorbehalten.


2 Sicherheitshinweise

2.1 Voraussetzungen für den sicheren Einsatz

Dieses Gerät hat das Werk in sicherheitstechnisch einwandfreiem Zustand verlassen. Um diesen Zustand zu erhalten und um einen gefahrlosen Betrieb des Geräts sicherzustellen, beachten Sie diese Anleitung und alle sicherheitsrelevanten Informationen.

Beachten Sie die Hinweise und Symbole am Gerät. Entfernen Sie keine Hinweise und Symbole vom Gerät. Halten Sie die Hinweise und Symbole stets in vollständig lesbarem Zustand.

2.1.1 Warnhinweise auf dem Gerät

Symbol	Bedeutung
	Betriebsanleitung beachten

2.1.2 SIL-Hinweis

Hinweis

Anforderungen an funktionale Sicherheit (SIL)

Falls das Gerät in einer Umgebung mit Anforderungen an die funktionale Sicherheit betrieben wird, ist das entsprechende Handbuch zu beachten.

2.1.3 Gesetze und Bestimmungen

Beachten Sie bei Anschluss, Montage und Betrieb die für Ihr Land gültigen Sicherheitsvorschriften, Bestimmungen und Gesetze. Dies sind zum Beispiel:

- National Electrical Code (NEC - NFPA 70) (USA)
- Canadian Electrical Code (CEC) (Canada)


Weitere Bestimmungen für Anwendungen in explosionsgefährdeten Bereichen sind z. B.:

- IEC 60079-14 (international)
- EN 60079-14 (EG)

Die CE-Kennzeichnung auf dem Gerät zeigt die Konformität mit folgenden europäischen Richtlinien:

Elektromagnetische Verträglichkeit EMV 2014/30/EU	Richtlinie des Europäischen Parlaments und des Rats zur Harmonisierung der Rechtsvorschriften der Mitgliedstaaten über die elektromagnetische Verträglichkeit
Niederspannungsrichtlinie NSR 2014/35/EU	Richtlinie des Europäischen Parlaments und des Rats zur Harmonisierung der Rechtsvorschriften der Mitgliedstaaten betreffend elektrische Betriebsmittel zur Verwendung innerhalb bestimmter Spannungsgrenzen auf dem Markt

Die geltenden Richtlinien sind jeweils in der EU-Konformitätserklärung des spezifischen Geräts zu finden.

 WARNUNG
Unsachgemäße Änderungen am Gerät Durch Änderungen am Gerät, insbesondere in explosionsgefährdeten Bereichen, können Gefahren für Personal, Anlage und Umwelt entstehen. <ul style="list-style-type: none">• Ändern Sie das Gerät nur wie in der Anleitung zum Gerät beschrieben. Bei Nichtbeachtung werden die Herstellergarantie und die Produktzulassungen unwirksam.

2.2 Anforderungen an besondere Einsatzfälle

Aufgrund der großen Anzahl möglicher Anwendungen enthält diese Anleitung nicht sämtliche Detailinformationen zu den beschriebenen Geräteausführungen und kann auch nicht jeden denkbaren Fall der Inbetriebnahme, des Betriebs, der Wartung oder des Betriebs in Anlagen berücksichtigen. Sollten Sie weitere Informationen wünschen, die in dieser Anleitung nicht enthalten sind, wenden Sie sich bitte an die örtliche Siemens-Niederlassung oder Ihren Siemens-Ansprechpartner.

Hinweis

Einsatz unter besonderen Umgebungsbedingungen


Insbesondere wird empfohlen, sich vor dem Einsatz des Geräts unter besonderen Umgebungsbedingungen, z. B. in Kernkraftwerken oder zu Forschungs- und Entwicklungszwecken, zunächst an Ihren Siemens-Vertreter oder unsere Applikationsabteilung zu wenden, um den betreffenden Einsatz zu erörtern.


2.3 Einsatz in explosionsgefährdeten Bereichen

Qualifiziertes Personal für Anwendungen in explosionsgefährdeten Bereichen

Personen, die das Gerät im explosionsgefährdeten Bereich einbauen, anschließen, in Betrieb nehmen, bedienen und warten, müssen über folgende besondere Qualifikationen verfügen:

- Sie sind berechtigt und ausgebildet bzw. unterwiesen, Geräte und Systeme gemäß den Sicherheitsbestimmungen für elektrische Stromkreise, hohe Drücke sowie aggressive und gefährliche Medien zu bedienen und zu warten.
- Sie sind berechtigt und darin ausgebildet bzw. unterwiesen, Arbeiten an elektrischen Stromkreisen für explosionsgefährdete Anlagen durchzuführen.
- Sie sind in Pflege und Gebrauch angemessener Sicherheitsausrüstung gemäß den einschlägigen Sicherheitsbestimmungen ausgebildet bzw. unterwiesen.

 WARNUNG
Einsatz in explosionsgefährdeten Bereichen Explosionsgefahr. <ul style="list-style-type: none">• Verwenden Sie nur Geräte, die für den Einsatz im vorgesehenen explosionsgefährdeten Bereich zugelassen und entsprechend gekennzeichnet sind.

 WARNUNG
Verlust der Sicherheit des Geräts mit Zündschutzart Eigensicherheit "Ex i" Wenn das Gerät bereits an nicht eigensicheren Stromkreisen betrieben wurde oder die Angaben zu den elektrischen Daten nicht beachtet wurden, ist die Sicherheit des Geräts für den Einsatz in explosionsgefährdeten Bereichen nicht mehr gewährleistet. Es besteht Explosionsgefahr. <ul style="list-style-type: none">• Schließen Sie das Gerät mit der Zündschutzart Eigensicherheit ausschließlich an einen eigensicheren Stromkreis an.• Beachten Sie die auf dem Zertifikat und/oder im Kapitel Technische Daten (Seite 47) spezifizierten elektrischen Daten.

3 Einbauen/Anbauen

3.1 Grundlegende Sicherheitshinweise

VORSICHT

Heiße Oberflächen durch heiße Messstoffe

Verbrennungsgefahr durch Geräteoberflächentemperaturen über 70 °C (155 °F).

- Ergreifen Sie geeignete Schutzmaßnahmen, z. B. Berührungsschutz.
- Sorgen Sie dafür, dass durch Schutzmaßnahmen die maximal zulässige Umgebungstemperatur nicht überschritten wird. Beachten Sie die Angaben im Kapitel Technische Daten (Seite 47).

WARNUNG

Überschreitung der maximalen Umgebungs- oder Messstofftemperatur

Explosionsgefahr in explosionsgefährdeten Bereichen.

Geräteschaden.

- Stellen Sie sicher, dass die maximal zulässige Umgebungs- oder Messstofftemperatur des Geräts nicht überschritten wird. Beachten Sie die Angaben im Kapitel Technische Daten (Seite 47).

WARNUNG

Offene Kabeleinführung oder falsche Kabelverschraubung

Explosionsgefahr in explosionsgefährdeten Bereichen.

- Verschließen Sie die Kabeleinführungen für die elektrischen Anschlüsse. Verwenden Sie hierzu ausschließlich Kabelverschraubungen oder Verschlussstopfen, die für die betreffende Zündschutzart zugelassen sind.

3.1.1 Anforderungen an den Einbauort

ACHTUNG

Starke Schwingungen

Geräteschaden.

- In Anlagen mit starken Schwingungen muss der Messumformer sich in einer Umgebung mit geringen Schwingungen befinden.

VORSICHT

Aggressive Atmosphäre

Geräteschaden durch Eindringen aggressiver Dämpfe.

- Stellen Sie sicher, dass das Gerät für die Anwendung geeignet ist.

VORSICHT

Direkte Sonneneinstrahlung

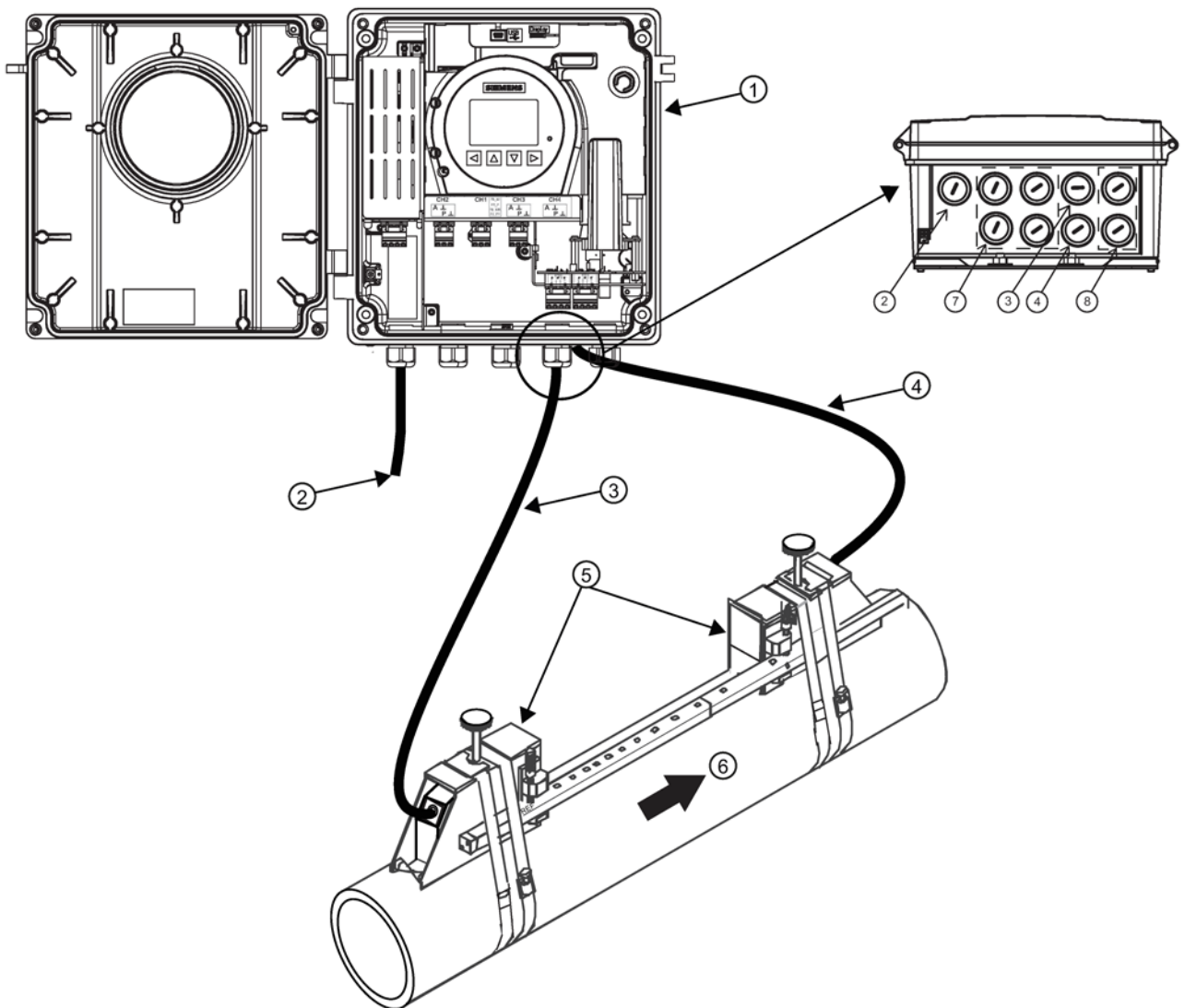
Geräteschaden.

Durch Einwirkung von UV-Strahlung kann das Gerät überhitzen und können Werkstoffe spröde werden.

- Schützen Sie das Gerät vor direkter Sonneneinstrahlung.
- Stellen Sie sicher, dass die maximal zulässige Umgebungstemperatur nicht überschritten wird. Beachten Sie die Angaben im Kapitel Technische Daten (Seite 47).

Typische Systemübersicht

Die Abbildung unten zeigt eine typische Konfiguration bestehend aus Messumformer und Clamp-on-Messaufnehmern.



- | | |
|--|---|
| ① Messumformer FST030 für Wandmontage | ⑤ Messaufnehmer |
| ② Stromkabel | ⑥ Strömungsrichtung |
| ③ Kabel des in Strömungsrichtung aufwärts angeordneten Messaufnehmers (1A), Pfad 1 | ⑦ E/A-Anschlüsse, Kommunikation, RTD-Elemente |
| ④ Kabel des in Strömungsrichtung abwärts angeordneten Messaufnehmers (1B), Pfad 1 | ⑧ Pfad 2 – In Strömungsrichtung aufwärts (2A), In Strömungsrichtung abwärts (2B) (ggf. Anschlüsse für Messaufnehmerkabel, Pfad 2) |

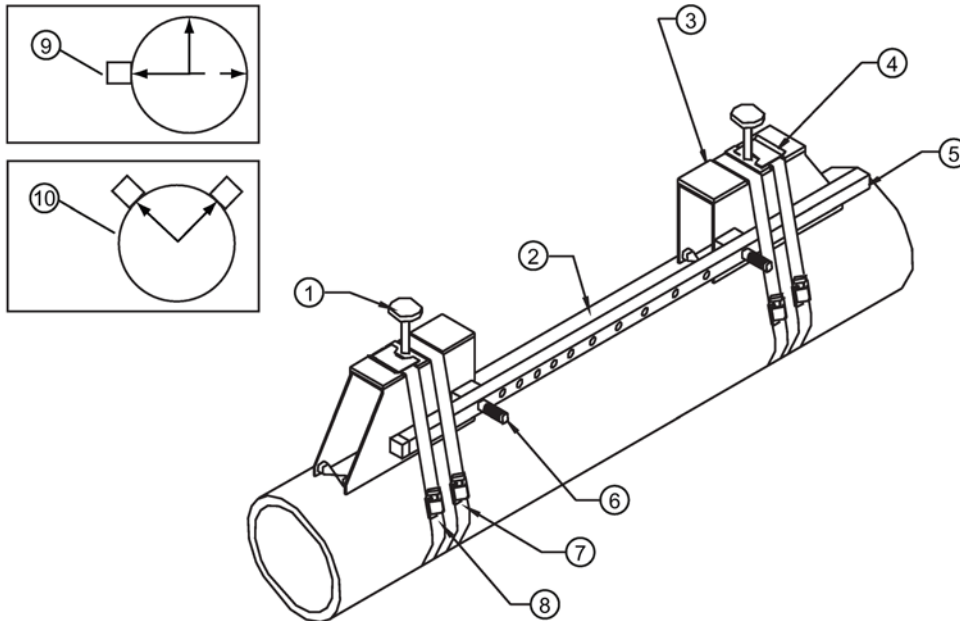
Bild 3-1 Messumformer für Wandmontage – Übersicht (Reflekt-Montage)

3.2 Montage der Messaufnehmer im Reflekt-Modus

Reflekt-Montage – Messaufnehmerinstallation mit Montagerahmen und Abstandshalter

1. Verwenden Sie die Setup-Vorgehensweise im Assistenten, um für das Messgerät Anwendungsparameter wie die Rohrgröße, den Flüssigkeitstyp und die Messaufnehmergröße zu programmieren. Nach der Eingabe gibt der Messumformer einen für die Anwendung angemessenen Abstandsindex zurück.
2. Richten Sie mit dem mitgelieferten Abstandshalter den Abstand zwischen den Messaufnehmern entsprechend dem vom Messumformer vorgegebenen Abstandsindex ein. Der Abstandsindex liefert den korrekten Abstand für die Messaufnehmer basierend auf der angegebenen Rohrgröße.

Beachten Sie vor dem Fortsetzen der Arbeit das unten abgebildete Beispiel für eine Montage im Reflekt-Modus.



- | | |
|--|--|
| ① Befestigungsschraube für Messaufnehmer | ⑥ Abstandshalter und Referenzbohrung |
| ② Kundenseitige Rohrleitung | ⑦ Metallmontageband |
| ③ 7ME39600*** Montagerahmen | ⑧ Bei größeren Rohren sind ggf. zusätzliche Montagebänder erforderlich |
| ④ Klemmfeder (nicht bei allen Montagerahmenmodellen vorhanden) | ⑨ Ausrichtung Einpfad-Messaufnehmer in Position 9 Uhr |
| ⑤ Abstandshalter | ⑩ Ausrichtung Zweipfad-Messaufnehmer in Positionen 10 Uhr und 2 Uhr |

Bild 3-2 Reflekt-Montage

3.3 Klemmenanordnung

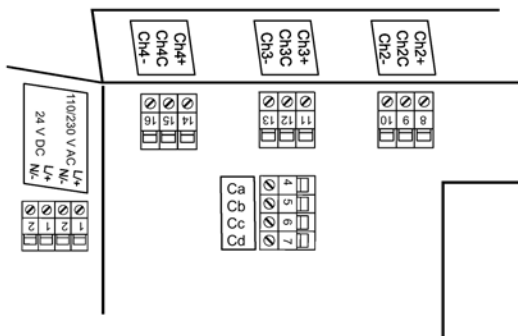


Bild 3-3 Klemmenanordnung - Wandgehäuse

HW-Konfiguration	SW-Konfiguration	Klemmen															
		Stromversorgung			Kanal 1			Kanal 2			Kanal 3			Kanal 4			
		1	2	3	4	5	6	8	9	10	11	12	13	14	15	16	
Stromversorgung		L	N	⊕													
Kanal 1 HART	Stromausgang HART				Aktiv		Passiv										
Ausgang Kanal 2	Strom, Frequenz, Impuls und Status						Aktiv		Passiv								
Kanäle 3 und 4 Eingang/Ausgang	Ausgänge: Strom, Frequenz, Impuls und Status Eingänge: Digital und Strom									Aktiv		Aktiv		Passiv			
Kanäle 3 und 4 Relais	Statusausgang									Ö		Ö		S			
										S		S		S			

Bild 3-4 Überblick Abschluss/Konfiguration (HART)

3.4 Unsachgemäße Montage

ACHTUNG

Unsachgemäße Montage

Durch unsachgemäße Montage kann das Gerät beschädigt, zerstört oder die Funktionsweise beeinträchtigt werden.

- Vergewissern Sie sich vor jedem Einbau des Geräts, dass dieses keine sichtbaren Schäden aufweist.
- Montieren Sie das Gerät mit geeignetem Werkzeug. Siehe Betriebsanleitung.



VORSICHT

Verlust der Zündschutzart

Geräteschaden durch geöffnetes oder nicht ordnungsgemäß verschlossenes Gehäuse. Die auf dem Typschild oder im Kapitel Technische Daten (Seite 47) angegebene Zündschutzart ist nicht mehr gewährleistet.

- Stellen Sie sicher, dass das Gerät sicher verschlossen ist.

3.5 Demontage



WARNUNG

Unsachgemäße Demontage

Durch unsachgemäße Demontage können folgende Gefahren entstehen:

- Verletzung durch Stromschlag
- Bei Anschluss an den Prozess Gefahr durch austretende Messstoffe
- Explosionsgefahr in explosionsgefährdetem Bereich

Für eine sachgemäße Demontage beachten Sie Folgendes:

- Stellen Sie vor Beginn der Arbeiten sicher, dass alle physikalischen Größen wie Druck, Temperatur, Elektrizität usw. abgeschaltet sind oder eine ungefährliche Größe haben.
- Wenn das Gerät gefährliche Messstoffe enthält, müssen Sie das Gerät vor der Demontage entleeren. Achten Sie darauf, dass keine umweltgefährdenden Messstoffe freigesetzt werden.
- Sichern Sie verbleibende Anschlüsse so, dass bei versehentlichem Prozessstart kein Schaden als Folge der Demontage entstehen kann.

4 Anschließen

4.1 Grundlegende Sicherheitshinweise

WARNUNG

Ungeeignete Kabel, Kabelverschraubungen und/oder Steckverbinder

Explosionsgefahr in explosionsgefährdeten Bereichen.

- Verwenden Sie ausschließlich Kabelverschraubungen/Steckverbinder, die den Anforderungen der relevanten Zündschutzart entsprechen.
- Ziehen Sie die Kabelverschraubung entsprechend den im Kapitel Messumformer (Seite 38) angegebenen Drehmomenten an.
- Schließen Sie ungenutzte Kabelöffnungen für die elektrischen Anschlüsse.
- Verwenden Sie beim Austausch von Kabelverschraubungen nur Kabelverschraubungen gleicher Bauart.
- Prüfen Sie die Kabel nach der Installation auf festen Sitz.

WARNUNG

Berührungsgefährliche Spannung

Stromschlaggefahr bei unsachgemäßem elektrischem Anschluss.

- Die Angaben für den sachgemäßen elektrischen Anschluss finden Sie im Kapitel Technische Daten (Seite 47).
- Beachten Sie die für den Einbauort des Geräts gültigen Bestimmungen und Gesetze zur Errichtung von Starkstromanlagen mit Nennspannungen unter 1000 V.

ACHTUNG

Kondensatbildung im Gerät

Geräteschaden durch Kondensatbildung, wenn die Temperaturdifferenz zwischen Transport oder Lager und dem Einbauort mehr als 20 °C (36 °F) beträgt.

- Bevor Sie das Gerät in Betrieb nehmen, lassen Sie das Gerät mehrere Stunden in der neuen Umgebung stehen.

WARNUNG

Fehlender Schutzleiteranschluss

Stromschlaggefahr.

Schließen Sie - je nach Geräteausführung - die Stromversorgung wie folgt an:

- **Netzstecker:** Stellen Sie sicher, dass die verwendete Steckdose einen Schutzleiteranschluss hat. Prüfen Sie, ob Schutzleiteranschluss von Steckdose und Netzstecker zueinander passen.
- **Anschlussklemmen:** Schließen Sie die Klemmen gemäß dem Klemmenbelegungsplan an. Schließen Sie den Schutzleiter zuerst an.

ACHTUNG

Zu hohe Umgebungstemperatur

Beschädigung der Leitungsisolierung.

- Setzen Sie bei einer Umgebungstemperatur ≥ 60 °C (140 °F) hitzebeständige Leitungen ein, die für eine mindestens 20 °C (36 °F) höhere Umgebungstemperatur ausgelegt sind.

WARNUNG

Unsachgemäße Stromversorgung

Explosionsgefahr in explosionsgefährdeten Bereichen bei unsachgemäßer Stromversorgung, z. B. bei Verwendung von Gleichstrom an Stelle von Wechselstrom.

- Schließen Sie das Gerät entsprechend den vorgeschriebenen Versorgungs- und Signalstromkreisen an. Die Angaben hierzu finden Sie in den Zertifikaten, im Kapitel Technische Daten (Seite 47) oder auf dem Typschild.

 **WARNUNG**

Fehlender Potenzialausgleich

Bei fehlendem Potenzialausgleich Explosionsgefahr in explosionsgefährdeten Bereichen durch Ausgleichsstrom oder Zündfunken.

- Stellen Sie sicher, dass für das Gerät ein Potenzialausgleich vorhanden ist.

Ausnahme: Bei Geräten der Zündschutzart Eigensicherheit "Ex i" kann ggf. auf den Anschluss des Potenzialausgleichs verzichtet werden.

 **WARNUNG**

Ungeschützte Leitungsenden

Explosionsgefahr in explosionsgefährdeten Bereichen durch ungeschützte Leitungsenden.

- Schützen Sie nicht benutzte Leitungsenden gemäß IEC/EN 60079-14.

 **WARNUNG**

Unsachgemäße Verlegung geschirmter Leitungen

Explosionsgefahr durch Ausgleichsströme zwischen dem explosionsgefährdeten Bereich und dem nicht explosionsgefährdeten Bereich.

- Geschirmte Kabel, die explosionsgefährdete Bereiche kreuzen, sollten an nur einem Ende geerdet werden.
- Bei beidseitiger Erdung müssen Sie einen Potenzialausgleichsleiter verlegen.

 **WARNUNG**

Ungenügende Trennung von eigensicheren und nicht eigensicheren Stromkreisen

Explosionsgefahr in explosionsgefährdeten Bereichen.

- Stellen Sie beim Anschluss von eigensicheren und nicht eigensicheren Stromkreisen sicher, dass die galvanische Trennung ordnungsgemäß unter Einhaltung örtlicher Vorschriften ausgeführt wird (z. B. IEC 60079-14).
- Beachten Sie die für Ihr Land geltenden Gerätezulassungen.

 **WARNUNG**

Anschließen des Geräts unter Spannung

Explosionsgefahr in explosionsgefährdeten Bereichen.

- Schließen Sie Geräte in explosionsgefährdeten Bereichen nur im spannungslosen Zustand an.

Ausnahmen:

- Geräte der Zündschutzart Eigensicherheit "Ex i" dürfen auch unter Spannung in explosionsgefährdeten Bereichen angeschlossen werden.
- Für Zündschutzart "nicht funkend" nA (Zone 2) sind Ausnahmen im entsprechenden Zertifikat geregelt.

Hinweis

Elektromagnetische Verträglichkeit (EMV)

Dieses Gerät kann in industriellen Umgebungen, in einer Haushaltsumgebung und in kleingewerblicher Umgebung eingesetzt werden.

Metallgehäuse weisen eine erhöhte elektromagnetische Verträglichkeit gegenüber Hochfrequenzstrahlung auf. Dieser Schutz gegen Hochfrequenzstrahlung kann durch Erdung des Gehäuses erhöht werden - siehe Technische Daten (Seite 47).

Hinweis

Verbesserung der Störsicherheit

- Verlegen Sie Signalkabel getrennt von Leitungen mit Spannungen > 60 V.
 - Verwenden Sie Kabel mit verdrehten Adern.
 - Halten Sie mit dem Gerät und den Kabeln Abstand zu starken elektromagnetischen Feldern.
 - Verwenden Sie abgeschirmte Kabel, um die volle Spezifikation gemäß HART zu gewährleisten.
 - Schalten Sie einen Bürdenwiderstand von mindestens 230 Ω im Signalkreis in Reihe, um eine fehlerfreie HART-Kommunikation zu gewährleisten. Wenn für die SITRANS HART-Messumformer Stromversorgungsisolatoren verwendet werden, ist ein Bürdenwiderstand bereits im Gerät integriert.
-

4.2 Messumformer

Vorbereitung der Anschlüsse

1. Die vier Deckelschrauben lösen.
2. Deckel öffnen.
3. Werkzeug für F-Stecker aus dem Feldgehäuse entnehmen.

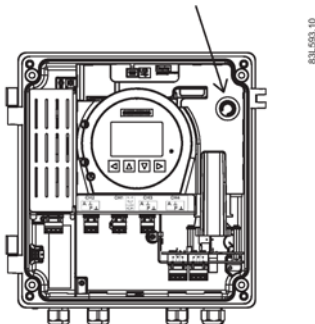
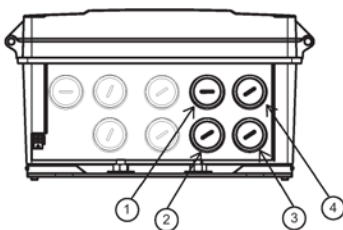


Bild 4-1 Lage des Werkzeugs für F-Stecker

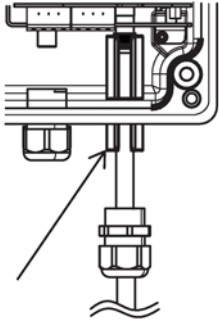
Anschluss der Messaufnehmerkabel

Stellen Sie beim Anschließen der Messaufnehmer sicher, dass die Messaufnehmerkabel richtig angeschlossen sind: Beide Messaufnehmerkabel für jeden Pfad müssen an die gleichen Portnummern (1A und 1B oder 2A und 2B) am Messumformer angeschlossen werden.



Die Messaufnehmerkabel werden mit einem vorkonfektionierten F-Stecker am Messumformerende geliefert.

1. Blindstopfen im Feldgehäuse entfernen.
2. Kabelverschraubung auf dem Kabel zurückschieben und Zugang für das Werkzeug zum Montieren des F-Steckers schaffen.
3. Werkzeug für F-Stecker über das Kabel und nach oben schieben, um die Mutter des F-Steckers aufzuschrauben.
4. Kabel durch die Öffnung der Kabelverschraubung schieben. Sicherstellen, dass der Mittelleiter mit dem Steckerport im Messumformer ausgerichtet ist.
5. Werkzeug für F-Stecker festziehen, bis ein mechanischer Anschlag spürbar ist.



6. Werkzeug für F-Stecker entfernen.

7. Kabelverschraubung montieren und festziehen.

Wiederholen Sie diese Schritte für jedes Messaufnehmerkabel.

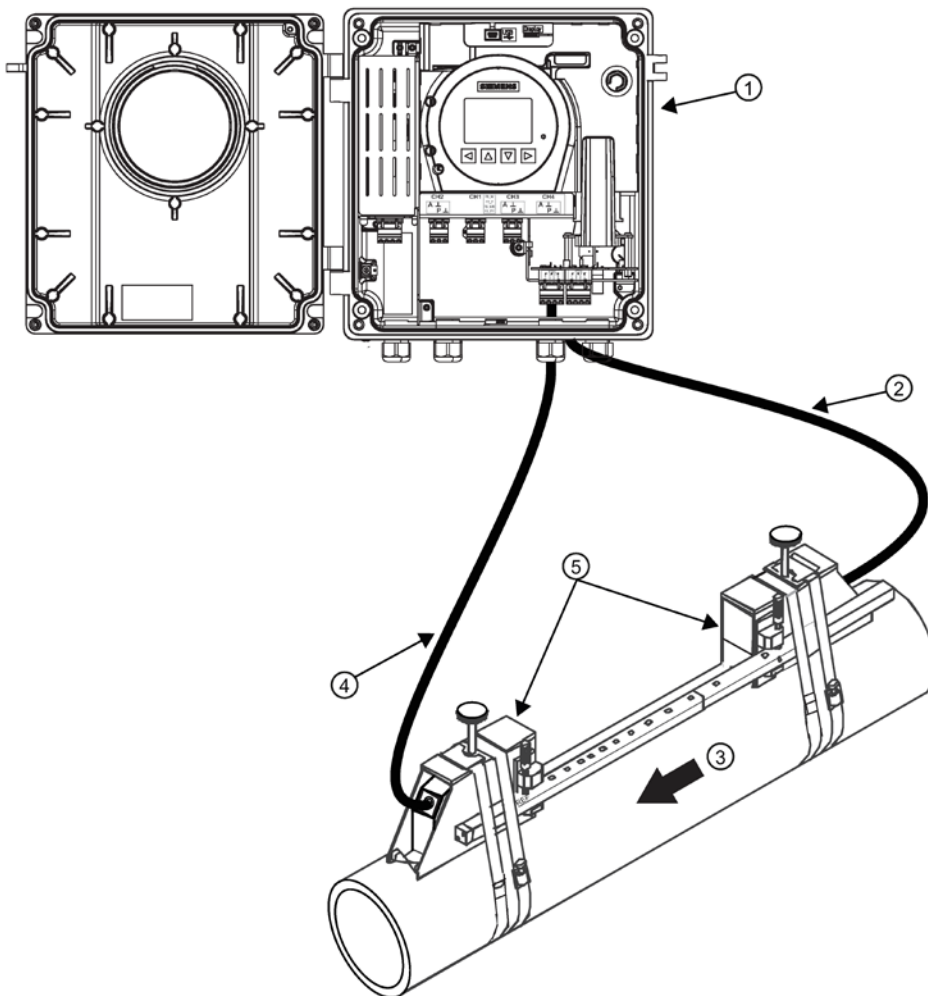
4.3 Feldgehäuse

Hinweis

Das folgende Beispiel ist in der Messaufnehmerkonfiguration für den Reflekt-Modus dargestellt.

Schließen Sie das Messaufnehmerkabel wie folgt am wandmontierten Messumformer an:

1. Füllen Sie den Hohlraum des Steckers vor dem Anschließen mit Koppelpaste (Super Lube).
2. Bestreichen Sie das Innengewinde in der großen Öffnung des Gewindesteckers mit Koppelpaste (Super Lube).
3. Verbinden Sie unter Beachtung der Strömungsrichtung ③ das Kabel des in Strömungsrichtung aufwärts angeordneten Messaufnehmers ② mit dem Port 1A am Messumformer und stellen Sie einen festen Anschluss her.
4. Verbinden Sie das Kabel des in Strömungsrichtung abwärts angeordneten Messaufnehmers ④ mit dem Port 1B am Messumformer und stellen Sie einen festen Anschluss her.



- | | |
|--|---|
| ① Messumformer, Wandmontage | ④ Kabel des in Strömungsrichtung abwärts angeordneten Messaufnehmers (1B), Pfad 1 |
| ② Kabel des in Strömungsrichtung aufwärts angeordneten Messaufnehmers (1A), Pfad 1 | ⑤ Messaufnehmer |
| ③ Strömungsrichtung | |

Bild 4-2 Wandmontagegehäuse mit Anschlüssen für Kabel vom Messumformer zu den Messaufnehmern

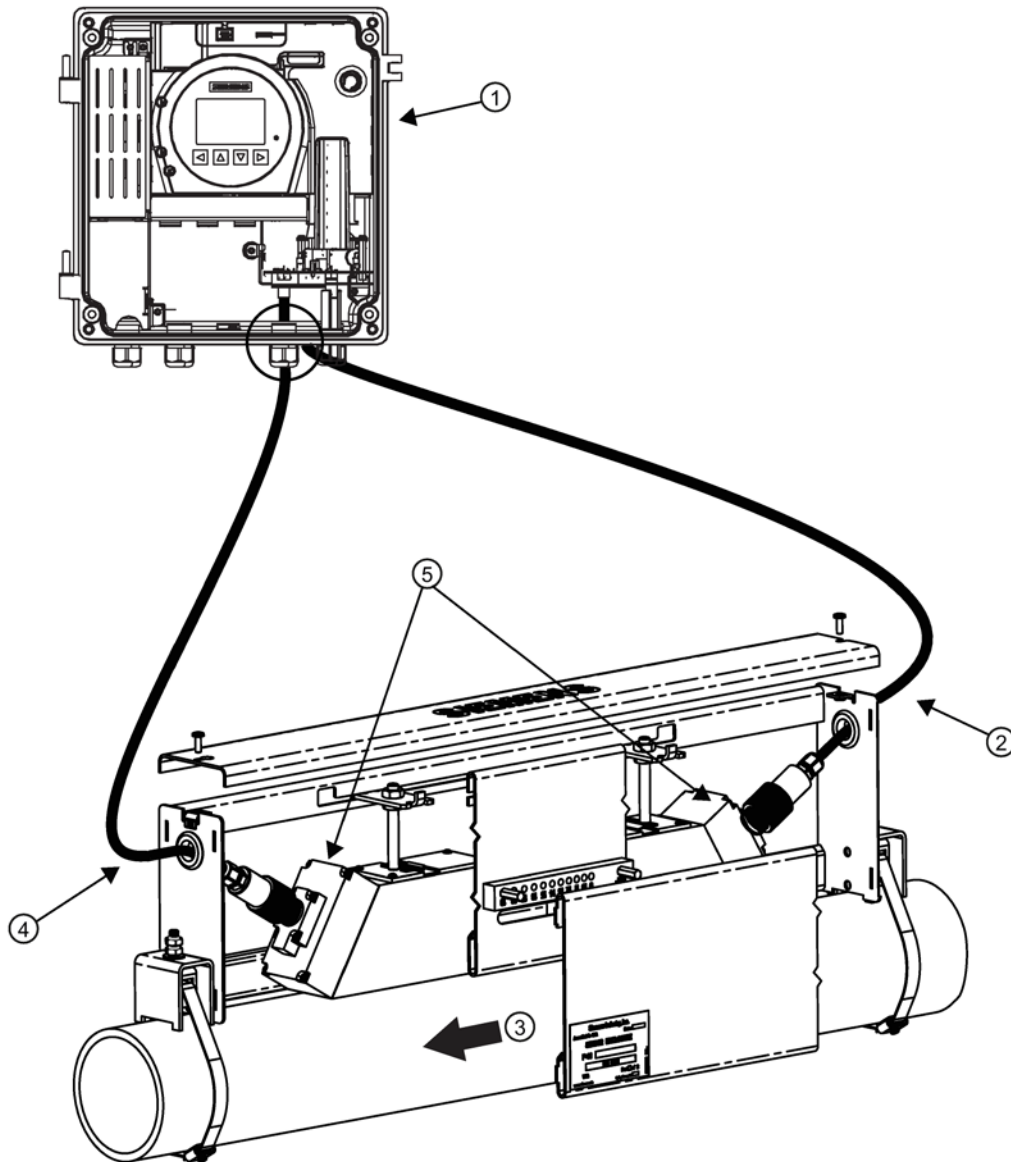
5. Ziehen Sie alle Kabelverschraubungen fest, um eine optimale Abdichtung zu erhalten.
6. Weitere Informationen zur Programmierung des Messumformers finden Sie in der Betriebsanleitung für den Messumformer FST030.

4.4 Hochpräzisions-Montage

Verdrahtung für einteiligen Gehäusesatz und Reflekt-Montage

Schließen Sie das Messaufnehmerkabel wie folgt am Messumformer an:

1. Füllen Sie den Hohlraum des Steckers vor dem Anschließen mit Koppelpaste (Super Lube).
2. Bestreichen Sie das Innengewinde in der großen Öffnung des Gewindesteckers mit Koppelpaste (Super Lube).
3. Verbinden Sie unter Beachtung der Strömungsrichtung ③ das Kabel des in Strömungsrichtung aufwärts angeordneten Messaufnehmers ② mit dem Port 1A am Messumformer und stellen Sie einen festen Anschluss her.
4. Verbinden Sie das Kabel des in Strömungsrichtung abwärts angeordneten Messaufnehmers ④ mit dem Port 1B am Messumformer und stellen Sie einen festen Anschluss her.



- | | |
|--|--|
| ① Messumformer, Wandmontage | ③ Strömungsrichtung |
| ② Kabel des in Strömungsrichtung aufwärts angeordneten Messaufnehmers zum Port 1A für internes DSL, Pfad 1 | ④ Kabel des in Strömungsrichtung abwärts angeordneten Messaufnehmers zum Port 1B des Messumformers, Pfad 1 |
| | ⑤ Messaufnehmer in Präzisionsmontage |

Bild 4-3 Verdrahtung für einteiligen Gehäusesatz und Reflekt-Montage (Präzisionsmontage)

5. Ziehen Sie alle Kabelverschraubungen fest, um eine optimale Abdichtung zu erhalten.

Verdrahtung für zweiteiligen Gehäusesatz und Reflekt-Modus

Unter Beachtung der oben dargestellten Konfiguration mit einteiligem Gehäusesatz und Reflekt-Montage verbinden Sie bei einer Präzisionsmontage mit zweiteiligem Gehäusesatz die Messaufnehmerkabel wie folgt mit den Anschlüssen des Messumformers:

1. Verbinden Sie unter Beachtung der Strömungsrichtung ③ die Messaufnehmerkabel mit den Anschlüssen des Messumformers.
2. Ziehen Sie alle Kabelverschraubungen fest, um eine optimale Abdichtung zu erhalten.
3. Weitere Informationen zur Programmierung des Messumformers finden Sie in der Betriebsanleitung für den Messumformer FST030.

Verdrahtung für zweiteiligen Gehäusesatz und Direkt-Montage

Schließen Sie das Messaufnehmerkabel wie folgt an DLS und Messumformer an:

1. Füllen Sie den Hohlraum des Steckers vor dem Anschließen mit Koppelpaste (Super Lube).
2. Bestreichen Sie das Innengewinde in der großen Öffnung des Gewindesteckers mit Koppelpaste (Super Lube).
3. Verbinden Sie unter Beachtung der Strömungsrichtung ③ das Kabel des in Strömungsrichtung aufwärts angeordneten Messaufnehmers ② mit dem Port 1A am Messumformer und stellen Sie einen festen Anschluss her.
4. Verbinden Sie das Kabel des in Strömungsrichtung abwärts angeordneten Messaufnehmers ④ mit dem Port 1B am Messumformer und stellen Sie einen festen Anschluss her.

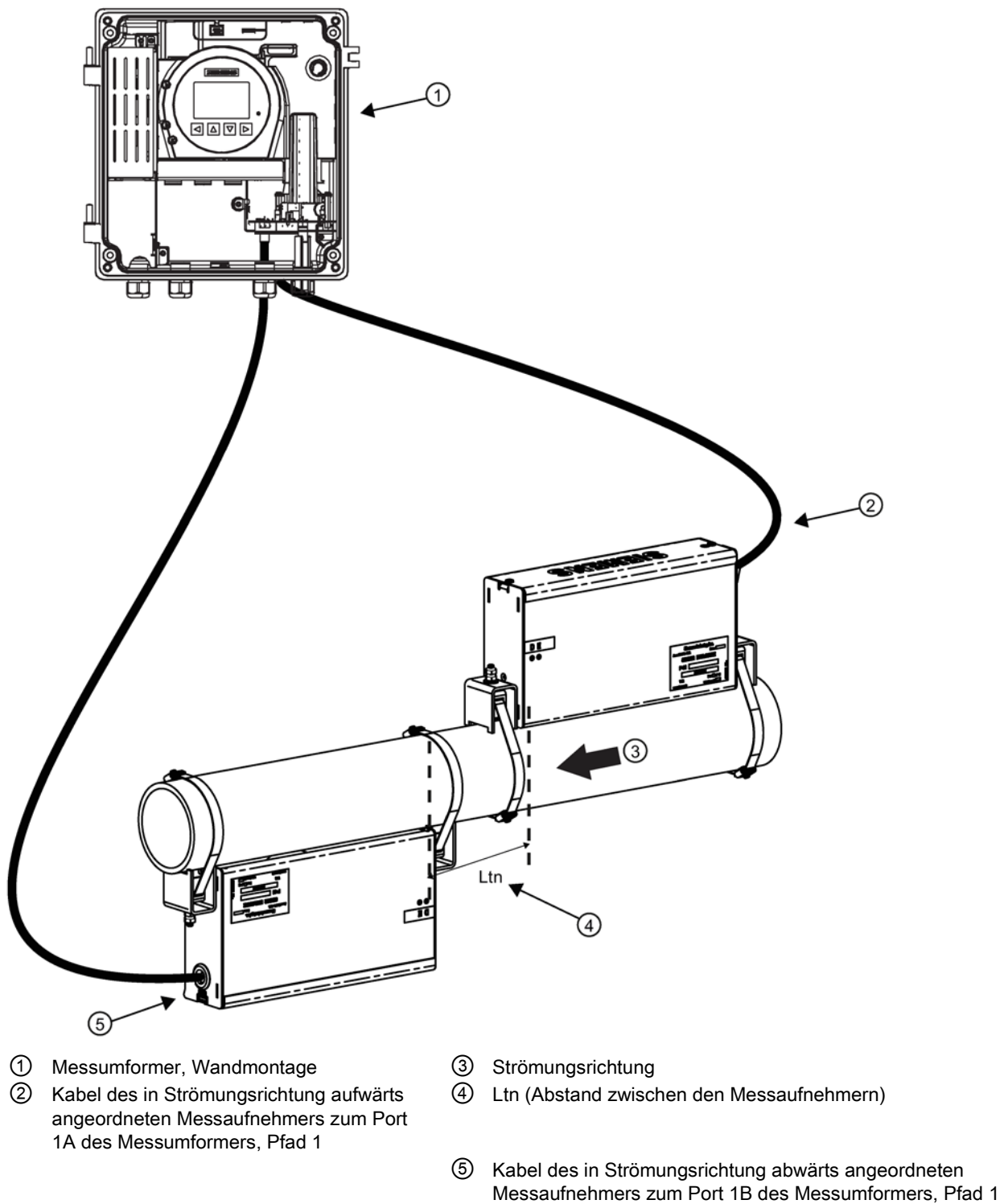


Bild 4-4 Verdrahtung für Präzisionsmontage mit zweiteiligem Gehäusesatz und Direkt-Montage

5. Ziehen Sie alle Kabelverschraubungen fest, um eine optimale Abdichtung zu erhalten.
6. Weitere Informationen zur Programmierung des Messumformers finden Sie in der Betriebsanleitung für den Messumformer FST030.

5 Inbetriebnehmen

5.1 Grundlegende Sicherheitshinweise

5.1.1 Giftige Gase und Flüssigkeiten

GEFAHR

Giftige Gase und Flüssigkeiten

Vergiftungsgefahr beim Entlüften des Geräts: Beim Messen von giftigen Messstoffen können giftige Gase und Flüssigkeiten freigesetzt werden.

- Stellen Sie vor dem Entlüften sicher, dass sich keine giftigen Gase und Flüssigkeiten im Gerät befinden bzw. treffen Sie entsprechende Sicherheitsmaßnahmen.

WARNUNG

Inbetriebnahme und Betrieb bei Störmeldung

Wenn eine Störmeldung angezeigt wird, ist der ordnungsgemäße Betrieb im Prozess nicht mehr gewährleistet.

- Prüfen Sie die Schwere des Fehlers.
- Beheben Sie den Fehler.
- Wenn der Fehler weiter besteht:
 - Setzen Sie das Gerät außer Betrieb.
 - Verhindern Sie die erneute Inbetriebnahme.

5.1.2 Unsachgemäße Inbetriebnahme in explosionsgefährdeten Bereichen

WARNUNG

Unsachgemäße Inbetriebnahme in explosionsgefährdeten Bereichen

Gefahr eines Gerätefehlers oder Explosionsgefahr in explosionsgefährdeten Bereichen.

- Nehmen Sie das Gerät erst in Betrieb, nachdem es entsprechend den Hinweisen im Kapitel Technische Daten (Seite 47) vollständig eingebaut und angeschlossen wurde.
- Berücksichtigen Sie vor der Inbetriebnahme die Auswirkungen anderer Geräte in der Anlage auf dieses Gerät.

5.1.3 Öffnen des Geräts unter Spannung

VORSICHT

Verlust der Zündschutzart

Geräteschaden durch geöffnetes oder nicht ordnungsgemäß verschlossenes Gehäuse. Die auf dem Typschild oder im Kapitel Technische Daten (Seite 47) angegebene Zündschutzart ist nicht mehr gewährleistet.

- Stellen Sie sicher, dass das Gerät sicher verschlossen ist.

WARNUNG


Berührungsfähliche Spannung


Verletzungsgefahr durch berührungsfähliche Spannung bei offenem bzw. nicht vollständig geschlossenem Gerät.

Bei geöffnetem oder nicht ordnungsgemäß geschlossenem Gerät ist die auf dem Typschild bzw. im Kapitel Technische Daten (Seite 47) angegebene Geräteschutzart nicht mehr gewährleistet.


- Stellen Sie sicher, dass das Gerät sicher verschlossen ist.

5.1.4 Explosionsgefahr bei Messstoffen größer 100 °C die die Druckkappe durchfließen

 WARNUNG
Explosionsgefahr bei Messstoffen größer 100 °C die die Druckkappe durchfließen Der Explosionsschutz ist nicht mehr gewährleistet und die Zulassung verfällt. Ein Messstoff größer 100 °C darf die Druckkappe betriebsmäßig nicht durchfließen.

 WARNUNG
Verlust des Explosionsschutzes Explosionsgefahr in explosionsgefährdeten Bereichen durch geöffnetes oder nicht ordnungsgemäß geschlossenes Gerät. <ul style="list-style-type: none">• Schließen Sie das Gerät wie in Kapitel Anschließen (Seite 36) beschrieben.

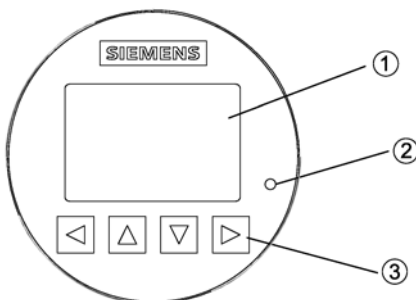
5.1.5 Heiße Oberflächen

 WARNUNG
Heiße Oberflächen Verbrennungsgefahr durch heiße Oberflächen. <ul style="list-style-type: none">• Ergreifen Sie entsprechende Schutzmaßnahmen, z. B. Tragen von Schutzhandschuhen.

5.2 Lokale Anzeige

Das Gerät wird mit dem Touch-Keypad auf der lokalen Anzeige in Betrieb genommen/bedient.

Für die Betätigung der Tastaturelemente wird mit der Fingerspitze die Glasscheibe auf der entsprechenden Taste berührt. Durch stärkeres Drücken wird die Taste nicht aktiviert, doch es kann hilfreich sein, mit dem Daumen statt mit dem Finger zu drücken. Oberhalb dieser Bedienelemente findet man eine Klartextanzeige, mit deren Hilfe man eine menügeführte Bedienung der einzelnen Gerätefunktionen/Parameter durch abwechselndes Betätigen der Bedienelemente durchführen kann. Die erfolgreiche Betätigung jeder Taste wird mit einer kleinen grünen LED rechts im Display bestätigt.



- ① Vollgrafische Anzeige
- ② LED (zur Anzeige der Tastenbetätigung)
- ③ Touch-Keypad

Bild 5-1 Lokale Anzeige

Hinweis

(Re-)Kalibrierung des Tastenfelds

Wenn die Abdeckung geschlossen ist, werden alle Tasten (neu) kalibriert (< 5 Sekunden). Während der (Re-)Kalibrierung leuchtet die LED und die Tasten sind nicht bedienbar.

Wird eine der Tasten länger als 10 Sekunden gedrückt, so wird sie (neu) kalibriert (Dauer unter 10 Sekunden). Die Taste ist dann loszulassen, um mit der Bedienung fortzufahren.

Hinweis

HMI-Timeout

Wird 10 Minuten lang keine Taste gedrückt, so schaltet die Anzeige auf die Bedieneransicht. Ist die Hintergrundbeleuchtung auf Automatisch eingestellt, so erlischt die Hintergrundbeleuchtung der Anzeige automatisch 30 Sekunden nach der letzten Tastenbetätigung.

Hinweis

Das Gerät muss zur Bedienung nicht geöffnet werden. Das heißt, dass der hohe Schutzgrad IP67 und die Sicherheit in explosionsgefährdeten Bereichen jederzeit garantiert sind.

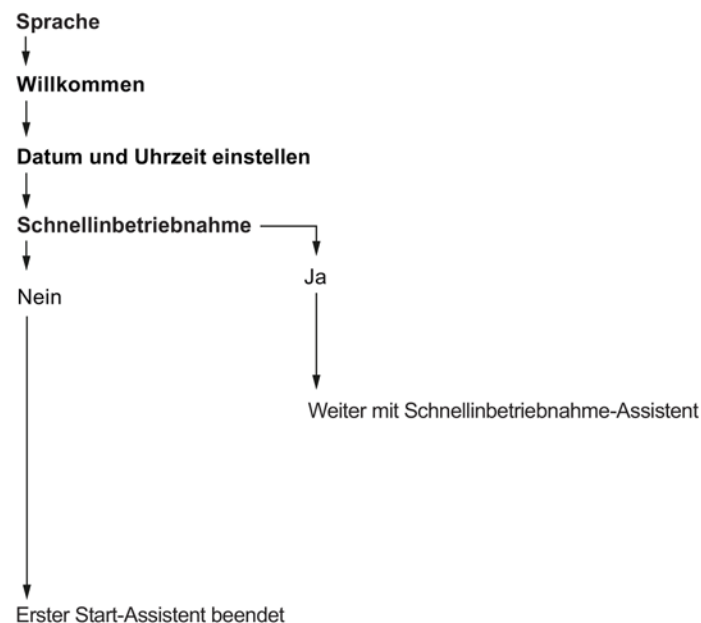
5.3 Erstes Einschalten

Beim ersten Einschalten des Geräts werden Sie aufgefordert, die Sprache einzustellen. Das Gerät startet zunächst mit der Anzeige von Language in Englisch. Nachdem Sie die Sprache eingestellt haben, werden Sie aufgefordert, das Datum und die Uhrzeit einzugeben.

Vor der erstmaligen Verwendung des Durchflussmessgeräts sind einige Grundparameter zu überprüfen. Nach der Bestätigung/Einstellung von Datum und Uhrzeit können Sie die voreingestellten Werte übernehmen oder den Assistenten für die Schnellinbetriebnahme starten.

Werden Sie gefragt, ob Sie den Assistenten für die Schnellinbetriebnahme starten möchten. Wenn Sie Ja (empfohlen) wählen, startet der Assistent für die Schnellinbetriebnahme. Wenn Sie Nein wählen, akzeptieren Sie die Standardwerte des Geräts, und als nächste HMI-Ansicht wird die Betriebsansicht 1 angezeigt.

Start



Text

Language

Willkommen

Datum und Uhrzeit einstellen

Schnellinbetriebnahme

Optionen/Beschreibung

Sprache einstellen: English, Deutsch, Français, Italiano, Español, 汉语

Informationen über den Assistenten für die Schnellinbetriebnahme

Das Datum und die Uhrzeit (Echtzeituhr) werden für alle Zeitstempel von protokollierten Informationen verwendet.

Der Assistent für die Schnellinbetriebnahme umfasst die wichtigsten Parameter/Menüs für die schnelle Konfiguration des Durchflussmessgeräts.

6 Technische Daten

6.1 Stromversorgung

Tabelle 6-1 Stromversorgung

Beschreibung	Spezifikation
Versorgungsspannung	<ul style="list-style-type: none"> 100 bis 240 V AC +10/-10%, 47 bis 63 Hz 20 bis 27 V DC +10/-10%
Leistungsaufnahme	15 VA/7,5 W
Schwankung	<ul style="list-style-type: none"> Transiente Überspannungen bis Überspannungskategorie II Temporäre Überspannungen treten ausschließlich in der Netzspannung auf
Verpolschutz (j / n)	Y
Potenzialtrennung	3000 V AC

6.2 HART-Schnittstelle

Tabelle 6-2 HART-Kommunikation

Beschreibung	Spezifikation
HART-Revision	7,5
Unterstützte Gerätemanager	SIMATIC PDM V8.2 SP1 oder neuer
Unterstützte Device Description (EDD)	V1.00.00

6.3 Betriebsbedingungen

Tabelle 6-3 Grundbedingungen

Beschreibung		Spezifikation
Umgebungstemperatur (Luftfeuchtigkeit max. 90 %)	Betrieb: Messumformer ohne Anzeige Anzeige	-40 ... +60 °C (-40 ... +140 °F) -20 ... +60 °C (-4 ... +140 °F)
Umgebungstemperatur (Luftfeuchtigkeit max. 90 %)	Lagerung:	-40 ... +70 °C (-40 ... +158 °F)
Klimabedingungen		DIN 60721-3-4
Höhe		Bis 2000 m
Relative Feuchtigkeit		95 %
Schockfestigkeit		Auf Anfrage
Stoßfestigkeit		Auf Anfrage
Temperaturschock		Auf Anfrage
Schwingungsfestigkeit		Auf Anfrage
EMV-Leistung	<ul style="list-style-type: none"> Störaussendung Störfestigkeit 	<ul style="list-style-type: none"> EN 55011 / CISPR-11 EN/IEC 61326-1 (Industrie) NAMUR NE 21

Tabelle 6-4 Messstoffbedingungen

Beschreibung	Spezifikation
Messstofftemperatur (T_s) (min bis max)	-50 ... +200 °C (-58 ... 492 °F)
Messstoffdichte (min bis max)	1 ... 5000 kg/m ³ (0.06 ... 312 lb/ft ³)
Relativdruck des Messstoffs (min bis max)	0 ... 160 bar (0 ... 2321 psi)
Absolutdruck des Messstoffs (min bis max)	Edelstahl: 1 ... 101 bar (14.5 ... 1465 psi) Hastelloy: 1 ... 161 bar (14.5 ... 2335 psi)
Viskosität des Messstoffs	Gase und nicht komprimierbare Flüssigkeiten

7 Instandhalten und Warten

7.1 Grundlegende Sicherheitshinweise

Hinweis

Das Gerät ist wartungsfrei.

7.1.1 Wartung

Das Gerät ist wartungsfrei. Entsprechend den einschlägigen Richtlinien und Vorschriften müssen jedoch in regelmäßigen Abständen Prüfungen erfolgen.

Hierbei können folgende Punkte geprüft werden:

- Umgebungsbedingungen
- Unversehrtheit der Dichtung der Prozessanschlüsse, Kabeleinführungen und Schrauben der Abdeckung
- Zuverlässigkeit der Spannungsversorgung, des Blitzschutzes und der Erdung

ACHTUNG

Reparatur- und Servicearbeiten dürfen nur durch von Siemens autorisiertem Personal durchgeführt werden.

Hinweis

Siemens definiert Messaufnehmer als nicht reparierbare Produkte.

WARNUNG

Unzulässige Reparatur, Instandhaltung und Wartung des Geräts

- Reparatur- und Wartungsarbeiten dürfen nur durch von Siemens autorisiertes Personal durchgeführt werden.

WARNUNG

Staubschichten über 5 mm

Explosionsgefahr in explosionsgefährdeten Bereichen.
Das Gerät kann infolge von Staubablagerung überhitzen.

- Entfernen Sie Staubablagerungen über 5 mm.

ACHTUNG

Eindringen von Feuchtigkeit in das Geräteinnere

Geräteschaden.

- Achten Sie darauf, dass während Reinigungs- und Wartungsarbeiten keine Feuchtigkeit in das Geräteinnere gelangt.

VORSICHT

Aufheben der Tastensperre

Eine unsachgemäße Änderung von Parametern kann sich auf die Prozesssicherheit auswirken.

- Stellen Sie sicher, dass nur befugtes Personal die Tastensperre von Geräten für sicherheitsgerichtete Anwendungen aufheben kann.

7.2 Reinigung

Gehäusereinigung

- Reinigen Sie die äußeren Gehäuseteile mit den Beschriftungen und das Anzeigefenster mit einem Lappen, der mit Wasser angefeuchtet ist, oder mit einem milden Reinigungsmittel.

- Verwenden Sie keine aggressiven Reiniger oder Lösungsmittel wie Azeton. Kunststoffteile oder die Lackoberfläche könnten beschädigt werden. Die Beschriftungen könnten unleserlich werden.

 **WARNUNG**

Elektrostatische Aufladung

Eine Explosionsgefahr besteht in explosionsgefährdeten Bereichen, wenn sich elektrostatische Aufladungen entwickeln, z. B. beim Reinigen von Oberflächen aus Kunststoff mit einem trockenen Tuch.

- Verhindern Sie im explosionsgefährdeten Bereich elektrostatische Aufladungen.

7.3 Wartungs- und Reparaturarbeiten

 **WARNUNG**

Wartung im Dauerbetrieb in explosionsgefährdeten Bereichen

Bei der Durchführung von Reparatur- und Wartungsarbeiten am Gerät in explosionsgefährdeten Bereichen besteht Explosionsgefahr.

- Schalten Sie das Gerät spannungsfrei.
- oder -
- Sorgen Sie für eine explosionsfreie Atmosphäre (Feuererlaubnisschein).

 **WARNUNG**

Unzulässiges Zubehör und Ersatzteile

Explosionsgefahr in explosionsgefährdeten Bereichen.

- Verwenden Sie ausschließlich Originalzubehör und Originalersatzteile.
- Beachten Sie alle relevanten Installations- und Sicherheitsanweisungen, die in den Anleitungen zum Gerät beschrieben sind oder mit dem Zubehör oder Ersatzteil mitgeliefert werden.

 **WARNUNG**

Feuchte Umgebung

Stromschlaggefahr.

- Vermeiden Sie Arbeiten am Gerät, wenn das Gerät unter Spannung steht.
- Wenn Arbeiten unter Spannung erforderlich sind, sorgen Sie für eine trockene Umgebung.
- Achten Sie darauf, dass während Reinigungs- und Wartungsarbeiten keine Feuchtigkeit in das Geräteinnere gelangt.

 **VORSICHT**

Heiße Oberflächen

Verbrennungsgefahr bei Wartungsarbeiten an Teilen, die Oberflächentemperaturen über 70 °C (158 °F) aufweisen.

- Ergreifen Sie entsprechende Schutzmaßnahmen, z. B. Tragen von Schutzhandschuhen.
- Stellen Sie nach Wartungsarbeiten die Berührungsschutzmaßnahmen wieder her.

WARNUNG

Offenes Gehäuse

Explosionsgefahr in explosionsgefährdeten Bereichen durch heiße Bauteile und/oder aufgeladene Kondensatoren im Inneren des Geräts.

Gehen Sie beim Öffnen des Geräts in einem explosionsgefährdeten Bereich wie folgt vor:

1. Schalten Sie das Gerät spannungsfrei.
2. Halten Sie vor dem Öffnen des Geräts die im Kapitel Technische Daten (Seite 47) bzw. auf dem Warnschild angegebene Wartezeit ein.
3. Führen Sie eine Sichtprüfung von Messaufnahmereinlass und -auslass durch.

Ausnahme: Geräte, die ausschließlich über die Zündschutzart "Eigensicherheit Ex i" verfügen, dürfen auch unter Spannung in explosionsgefährdeten Bereichen geöffnet werden.

WARNUNG

Unsachgemäßer Anschluss nach Wartungsarbeiten

Explosionsgefahr in explosionsgefährdeten Bereichen.

- Nach Wartungsarbeiten muss das Gerät erneut sachgemäß angeschlossen werden.
- Schließen Sie das Gerät nach Wartungsarbeiten.

Siehe Anschließen (Seite 36).

7.4 Rücksendeverfahren

Bringen Sie den Lieferschein, den Rückwaren-Begleitschein und die Dekontaminations-Erklärung in einer gut befestigten Klarsichttasche außerhalb der Verpackung an.

Benötigte Formulare

- Lieferschein
- Rückwaren-Begleitschein (<http://www.siemens.de/prozessinstrumentierung/rueckwaren-begleitschein>) mit folgenden Angaben:
 - Produkt (Artikelbezeichnung)
 - Anzahl der zurückgesendeten Geräte/Ersatzteile
 - Grund für die Rücksendung
- Dekontaminationserklärung (<http://www.siemens.de/sc/dekontaminationserklaerung>)

Mit dieser Erklärung versichern Sie, "dass das Gerät/Ersatzteil sorgfältig gereinigt wurde und frei von Rückständen ist. Von dem Gerät/Ersatzteil geht keine Gefahr für Mensch und Umwelt aus."

Wenn das zurückgesendete Gerät/Ersatzteil mit giftigen, ätzenden, entflammenden oder Wasser verunreinigenden Substanzen in Kontakt gekommen ist, müssen Sie das Gerät/Ersatzteil, bevor Sie es zurücksenden, durch Reinigung und Dekontaminierung sorgfältig säubern, damit alle Hohlräume frei von gefährlichen Substanzen sind. Kontrollieren Sie abschließend die durchgeführte Reinigung.

Zurückgesendete Geräte/Ersatzteile, denen keine Dekontaminations-Erklärung beigelegt ist, werden vor einer weiteren Bearbeitung auf Ihre Kosten fachgerecht gereinigt.

7.5 Entsorgung



Die in dieser Anleitung beschriebenen Geräte sind dem Recycling zuzuführen. Sie dürfen gemäß Richtlinie 2012/19/EG zu Elektro- und Elektronik-Altgeräten (WEEE) nicht über kommunale Entsorgungsbetriebe entsorgt werden.

Zugunsten eines umweltfreundlichen Recyclings können die Geräte an den Lieferanten innerhalb der EG zurückgesendet oder an einen örtlich zugelassenen Entsorgungsbetrieb zurückgegeben werden. Beachten Sie die in Ihrem Land geltenden Vorschriften.

Ausführlichere Informationen über Geräte, die Batterien enthalten, finden Sie unter: Informationen zur Batterie-/Produktückgabe (WEEE)

(<https://support.industry.siemens.com/cs/document/109479891/>)

A Anhang A

Technical Support

Falls diese Dokumentation Ihre technischen Fragen nicht vollständig beantwortet, wenden Sie sich an den technischen Support unter:

- Support request (<http://www.siemens.de/automation/support-request>)
- Weitere Informationen zu unserem technischen Support finden Sie unter Technical support (<http://www.siemens.de/automation/csi/service>)

Service & Support im Internet

Zusätzlich zu unserem Dokumentationsangebot bietet Siemens eine umfassende Support-Lösung unter:

- Services&Support (<http://www.siemens.de/automation/service&support>)

Ansprechpartner

Wenn Sie weitere Fragen zum Gerät haben, wenden Sie sich bitte an Ihre Siemens-Vertretung vor Ort.

- Partner (<http://www.automation.siemens.com/partner>)

Um den Ansprechpartner für Ihr Produkt zu finden, wählen Sie den Pfad 'Automatisierungstechnik > Sensorsystem' unter 'Alle Produkte und Branchen'.

Dokumentation

Dokumentation zu den verschiedenen Produkten und Systemen finden Sie unter:

- Anleitungen und Handbücher Anleitungen und Handbücher (<http://www.siemens.de/prozessinstrumentierung/dokumentation>)

A.1 Zertifikate

Zertifikate finden Sie im Internet unter Zertifikate (<http://www.siemens.de/prozessinstrumentierung/zertifikate>) oder auf einer beiliegenden DVD.

Marken

Alle mit dem Schutzrechtsvermerk ® gekennzeichneten Bezeichnungen sind eingetragene Marken der Siemens AG. Die übrigen Bezeichnungen in dieser Schrift können Marken sein, deren Benutzung durch Dritte für deren Zwecke die Rechte der Inhaber verletzen kann.

Haftungsausschluss

Wir haben den Inhalt der Druckschrift auf Übereinstimmung mit der beschriebenen Hard- und Software geprüft. Dennoch können Abweichungen nicht ausgeschlossen werden, so dass wir für die vollständige Übereinstimmung keine Gewähr übernehmen. Die Angaben in dieser Druckschrift werden regelmäßig überprüft, notwendige Korrekturen sind in den nachfolgenden Auflagen enthalten.

Siemens AG
Division Process Industries and Drives
Postfach 48 48
90026 NÜRNBERG
DEUTSCHLAND

SITRANS FS230
A5E38755607, 02/2017

SIEMENS

SITRANS F

Caudalímetros ultrasónicos




SITRANS FS230

Instrucciones de servicio resumidas

Notas jurídicas

Filosofía en la señalización de advertencias y peligros

Este manual contiene las informaciones necesarias para la seguridad personal así como para la prevención de daños materiales. Las informaciones para su seguridad personal están resaltadas con un triángulo de advertencia; las informaciones para evitar únicamente daños materiales no llevan dicho triángulo. De acuerdo al grado de peligro las consignas se representan, de mayor a menor peligro, como sigue.

 PELIGRO
Significa que, si no se adoptan las medidas preventivas adecuadas se producirá la muerte, o bien lesiones corporales graves.
 ADVERTENCIA
Significa que, si no se adoptan las medidas preventivas adecuadas puede producirse la muerte o bien lesiones corporales graves.
 PRECAUCIÓN
Significa que si no se adoptan las medidas preventivas adecuadas, pueden producirse lesiones corporales.
ATENCIÓN
Significa que si no se adoptan las medidas preventivas adecuadas, pueden producirse daños materiales.

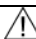
Si se dan varios niveles de peligro se usa siempre la consigna de seguridad más estricta en cada caso. Si en una consigna de seguridad con triángulo de advertencia de alarma de posibles daños personales, la misma consigna puede contener también una advertencia sobre posibles daños materiales.

Personal cualificado

El producto/sistema tratado en esta documentación sólo deberá ser manejado o manipulado por **personal cualificado** para la tarea encomendada y observando lo indicado en la documentación correspondiente a la misma, particularmente las consignas de seguridad y advertencias en ella incluidas. Debido a su formación y experiencia, el personal cualificado está en condiciones de reconocer riesgos resultantes del manejo o manipulación de dichos productos/sistemas y de evitar posibles peligros.

Uso previsto de los productos de Siemens

Considere lo siguiente:

 ADVERTENCIA
Los productos de Siemens sólo deberán usarse para los casos de aplicación previstos en el catálogo y la documentación técnica asociada. De usarse productos y componentes de terceros, éstos deberán haber sido recomendados u homologados por Siemens. El funcionamiento correcto y seguro de los productos exige que su transporte, almacenamiento, instalación, montaje, manejo y mantenimiento hayan sido realizados de forma correcta. Es preciso respetar las condiciones ambientales permitidas. También deberán seguirse las indicaciones y advertencias que figuran en la documentación asociada.

1 Introducción

1.1 Finalidad de la documentación

El presente documento contiene toda la información de salud y seguridad necesaria para usar el dispositivo con seguridad.

Antes de instalar y poner en marcha el dispositivo deben leerse atentamente las instrucciones de servicio del soporte de datos electrónico.

1.2 Historial de revisiones

La siguiente tabla muestra los cambios más importantes de la documentación en comparación con la versión anterior.

Edición	Observaciones	Versión de firmware	Versión de hardware	Versión de EDD	Revisión del aparato HART
02/2017	<ul style="list-style-type: none">Primera edición	1.00.00	01	<ul style="list-style-type: none">Driver SIMATIC PDM para HART 1.00.00Driver SIMATIC PDM para Modbus 1.00.00Driver AMS para HART 1.00.00Driver FC475 para HART 1.00.00Driver DTM/FDT para HART 1.00.00	1

1.3 Uso previsto

Utilice el dispositivo para medir medios del proceso conforme a la información de las instrucciones de servicio.

Nota

Uso en un entorno doméstico

Este aparato es un equipo de clase A grupo 1 previsto para el uso en áreas industriales.

En un entorno doméstico este aparato puede causar radiointerferencias.

1.4 Comprobar el suministro

1. Compruebe si el embalaje y los artículos entregados están visiblemente dañados.
2. Notifique inmediatamente al transportista todas las reclamaciones por daños y perjuicios.
3. Conserve las piezas dañadas hasta que se aclare el asunto.
4. Compruebe que el volumen de suministro es correcto y completo comparando los documentos de entrega con el pedido.

ADVERTENCIA

Empleo de un aparato dañado o incompleto

Riesgo de explosión en áreas peligrosas

- No ponga en marcha ningún aparato dañado o incompleto.

1.5 Información de seguridad

Siemens ofrece productos y soluciones con funciones de seguridad industrial con el objetivo de hacer más seguro el funcionamiento de instalaciones, sistemas, máquinas y redes.

Para proteger las instalaciones, los sistemas, las máquinas y las redes de amenazas cibernéticas, es necesario implementar (y mantener continuamente) un concepto de seguridad industrial integral que sea conforme a la tecnología más avanzada. Los productos y las soluciones de Siemens constituyen únicamente una parte de este concepto.

El cliente es responsable de impedir el acceso no autorizado a sus instalaciones, sistemas, máquinas y redes. Los sistemas, las máquinas y los componentes solo deben estar conectados a la red corporativa o a Internet cuando y en la medida que sea necesario y siempre que se hayan tomado las medidas de protección adecuadas (p. ej. uso de cortafuegos y segmentación de la red).

Adicionalmente, deberán observarse las recomendaciones de Siemens en cuanto a las medidas de protección correspondientes. Encontrará más información sobre seguridad industrial en:

<http://www.siemens.com/industrialsecurity>

Los productos y las soluciones de Siemens están sometidos a un desarrollo constante con el fin de mejorar todavía más su seguridad. Siemens recomienda expresamente realizar actualizaciones en cuanto estén disponibles y utilizar únicamente las últimas versiones de los productos. El uso de versiones anteriores o que ya no se soportan puede aumentar el riesgo de amenazas cibernéticas.

Para mantenerse informado de las actualizaciones de productos, recomendamos que se suscriba al Siemens Industrial Security RSS Feed en:

<http://www.siemens.com/industrialsecurity>

1.6 Transporte y almacenamiento

Para garantizar un nivel de protección adecuado durante las operaciones de transporte y almacenamiento, es preciso tener en cuenta lo siguiente:

- Debe conservarse el embalaje original para transportes posteriores.
- Los distintos aparatos y piezas de repuesto deben devolverse en su embalaje original.
- Si el embalaje original no está disponible, asegúrese de que todos los envíos estén adecuadamente empaquetados para garantizar su protección durante el transporte. Siemens no asume responsabilidad alguna por los costes en que se pudiera incurrir debido a daños por transporte.

ATENCIÓN

Protección inadecuada durante el transporte

El embalaje ofrece una protección limitada frente a la humedad y las filtraciones.

- Si es necesario, debe utilizarse embalaje adicional.

En Datos técnicos (Página 74) se enumeran las condiciones especiales de almacenamiento y transporte del dispositivo.

1.7 Otra información

El contenido de estas instrucciones no forma parte de ningún acuerdo, garantía ni relación jurídica anteriores o vigentes, y tampoco los modifica en caso de haberlos. Todas las obligaciones contraídas por Siemens AG se derivan del correspondiente contrato de compraventa, el cual también contiene las condiciones completas y exclusivas de garantía. Las explicaciones que figuran en estas instrucciones no amplían ni limitan las condiciones de garantía estipuladas en el contrato.

El contenido refleja el estado técnico en el momento de la publicación. Queda reservado el derecho a introducir modificaciones técnicas en correspondencia con cualquier nuevo avance tecnológico.


2 Consignas de seguridad

2.1 Requisitos de uso

Este aparato ha salido de la fábrica en perfecto estado respecto a la seguridad técnica. Para mantenerlo en dicho estado y garantizar un servicio seguro del aparato, es necesario respetar y tener en cuenta las presentes instrucciones y todas las informaciones relativas a la seguridad.

Tenga en cuenta las indicaciones y los símbolos del aparato. No retire las indicaciones o los símbolos del aparato. Las indicaciones y los símbolos siempre deben ser legibles.

2.1.1 Símbolos de advertencia colocados en el dispositivo

Símbolo	Significado
	Consulte las instrucciones de servicio

2.1.2 Nota SIL

Nota

Aplicaciones de seguridad funcional (SIL)

Si el aparato se utiliza en una aplicación de seguridad funcional, consulte el manual de seguridad funcional.

2.1.3 Leyes y directivas

Observe las normas de seguridad, las normativas y leyes del país correspondiente durante la conexión, el montaje y la utilización. Entre otras se incluyen:

- Código Eléctrico Nacional (NEC - NFPA 70) (EE. UU.)
- Código Eléctrico Canadiense (CEC) (Canadá)

Normativas adicionales para aplicaciones en áreas peligrosas, como por ejemplo:

- IEC 60079-14 (internacional)
- EN 60079-14 (CE)

El mercado CE de los aparatos indica la conformidad con las siguientes directivas europeas:

Compatibilidad electromagnética (CEM) 2014/30/UE	Directiva del Parlamento Europeo y del Consejo sobre la armonización de las legislaciones de los Estados miembros en materia de compatibilidad electromagnética
Directiva de baja tensión (LVD) 2014/35/UE	Directiva del Parlamento Europeo y del Consejo sobre la armonización de las legislaciones de los Estados miembros en materia de comercialización de material eléctrico destinado a utilizarse con determinados límites de tensión
Atmosphère explosible ATEX 2014/34/UE	Directiva del Parlamento Europeo y del Consejo sobre la armonización de las legislaciones de los Estados miembros en materia de aparatos y sistemas de protección para uso en atmósferas potencialmente explosivas

Las directivas aplicables figuran en la declaración de conformidad CE del aparato en cuestión.

ADVERTENCIA

Modificaciones indebidas del dispositivo

Una modificación indebida del dispositivo puede suponer un riesgo para el personal, el sistema y el medio ambiente, especialmente en áreas con peligro de explosión.

- No efectúe otras modificaciones que las descritas en las instrucciones del dispositivo. La no observación de este requisito se extingue la garantía del fabricante y las homologaciones del producto.

2.2 Requisitos para aplicaciones especiales

Debido al gran número de posibles aplicaciones, no es posible considerar en las instrucciones cada detalle de las versiones del dispositivo descrito para cada escenario posible durante la puesta en marcha, funcionamiento, mantenimiento u operación de los sistemas. Si necesita información adicional que no esté incluida en estas instrucciones, póngase en contacto con su oficina local de Siemens o la empresa representativa.

Nota

Funcionamiento en condiciones ambientales especiales

Se recomienda ponerse en contacto con un representante de Siemens o con nuestro departamento de aplicaciones antes de poner en marcha el dispositivo en condiciones ambientales especiales como, por ejemplo, en plantas nucleares o en caso de que el dispositivo sea utilizado con propósitos de investigación y desarrollo.

2.3 Uso en áreas potencialmente explosivas

Personal cualificado para aplicaciones en zonas Ex

El personal que efectúa los trabajos de montaje, conexión, puesta en servicio, operación y mantenimiento del aparato en zonas con peligro de explosión debe contar con las siguientes cualificaciones especiales:

- Ha sido autorizado, formado o instruido para el manejo y el mantenimiento de aparatos y sistemas según la normativa de seguridad para circuitos eléctricos, altas presiones y fluidos agresivos y peligrosos.
- Se le ha autorizado, formado o instruido para trabajar con circuitos eléctricos para sistemas peligrosos.
- Está formado o instruido para el cuidado y uso correctos del equipo de seguridad adecuado de acuerdo con las disposiciones de seguridad correspondientes.

ADVERTENCIA

Uso en áreas con peligro de explosión

Riesgo de explosión

- Se debe utilizar únicamente equipos homologados y respectivamente etiquetados para el uso en las áreas potencialmente explosivas previstas.

ADVERTENCIA


Pérdida de seguridad del aparato con el tipo de protección "Seguridad intrínseca Ex i"


Si el aparato ya ha funcionado en circuitos de seguridad no intrínseca o las especificaciones eléctricas no se han tenido en cuenta, la seguridad del aparato ya no se garantiza para el uso en áreas potencialmente explosivas. Existe riesgo de explosión.


- Conecte el aparato con el tipo de protección "Seguridad intrínseca" únicamente a un circuito de seguridad intrínseca.
- Tenga en cuenta las especificaciones de los datos eléctricos recogidas en el certificado y/o en Datos técnicos (Página 74).

3 Instalación y montaje

3.1 Consignas básicas de seguridad


 PRECAUCIÓN
Superficies calientes debido a medios a medir calientes Riesgo de quemaduras debido a temperaturas de la superficie superiores a los 70 °C (155 °F). <ul style="list-style-type: none">• Tome medidas de protección apropiadas, por ejemplo, protección de contacto.• Asegúrese de que las medidas de protección no provoquen el rebase de la temperatura ambiente máxima permitida. Consulte la información en Datos técnicos (Página 74).


 ADVERTENCIA
Se ha excedido la temperatura máxima del ambiente o del medio a medir Peligro de explosión en áreas potencialmente explosivas. Avería del aparato. <ul style="list-style-type: none">• Asegúrese de que no se excedan las temperaturas máximas admisibles del ambiente y del medio a medir en el aparato. Consulte la información en Datos técnicos (Página 74).

 ADVERTENCIA
Entrada de cables abierta o pasacables incorrecto Peligro de explosión en áreas potencialmente explosivas. <ul style="list-style-type: none">• Cierre las entradas de cables de las conexiones eléctricas. Utilice solamente pasacables y tapones homologados para el tipo de protección pertinente.

3.1.1 Requisitos a la ubicación de la instalación

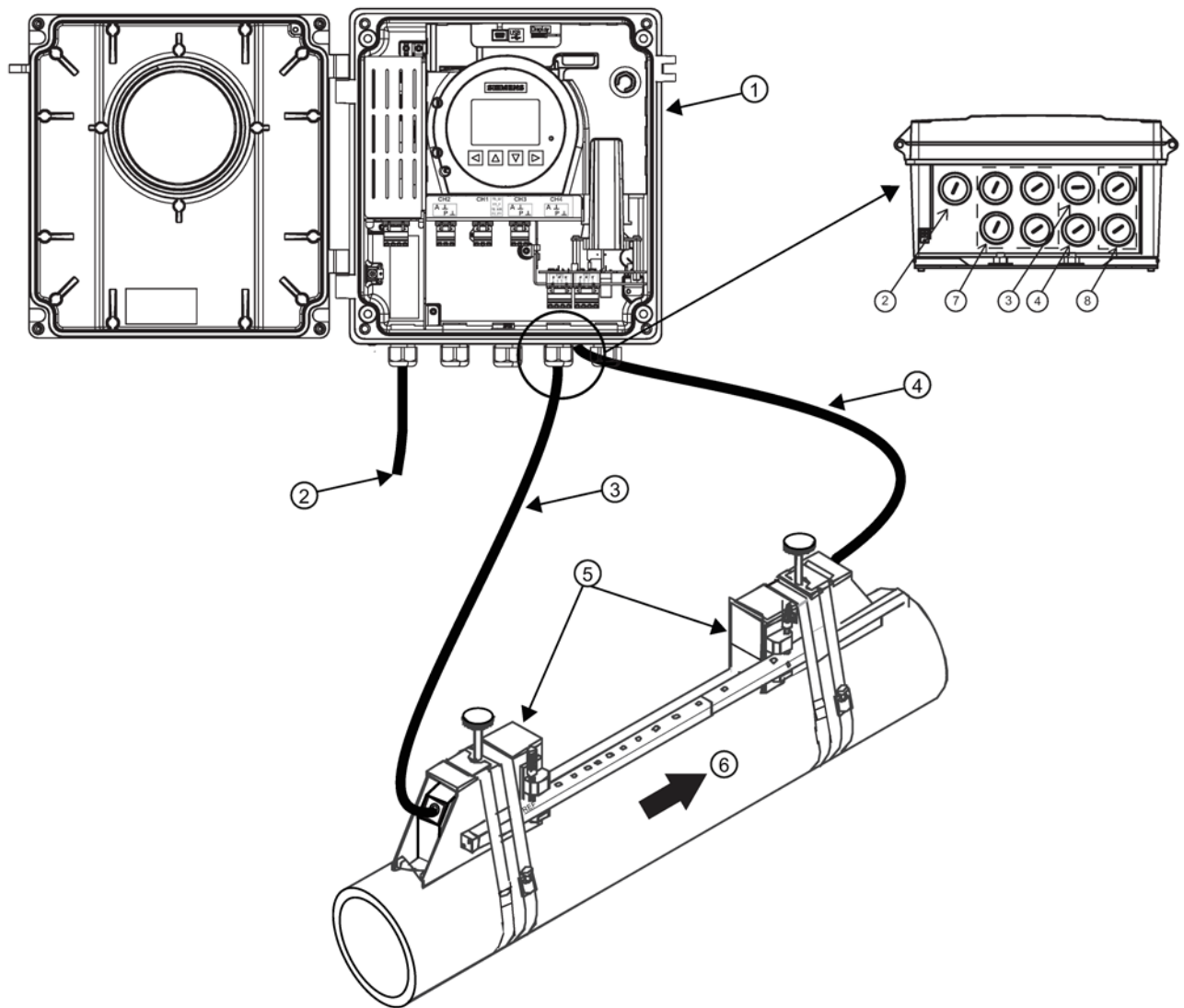
ATENCIÓN
Vibraciones fuertes Avería del aparato. <ul style="list-style-type: none">• En plantas con vibraciones fuertes, monte el transmisor en un entorno con pocas vibraciones.

 PRECAUCIÓN
Atmósferas agresivas Avería del aparato por penetración de vapores agresivos. <ul style="list-style-type: none">• Asegúrese de que el aparato sea adecuado para la aplicación.

 PRECAUCIÓN
Luz solar directa Avería del aparato. El aparato puede sobrecalentarse o los materiales pueden quebrarse debido a la exposición a los rayos UV. <ul style="list-style-type: none">• Proteja el aparato de la luz solar directa.• Asegúrese de que no se exceda la temperatura ambiente máxima admisible. Consulte la información en Datos técnicos (Página 74).

Típica sinopsis del sistema

La figura inferior muestra la típica configuración de transmisor y caudalímetro no invasivo.



- | | |
|--|--|
| ① Montaje mural del transmisor FST030 | ⑤ Sensores |
| ② Cable de alimentación | ⑥ Sentido de flujo |
| ③ Cable de sensor aguas arriba (1A) Trayecto 1 | ⑦ Puertos para I/O, comunicación, RTDs |
| ④ Cable de sensor aguas abajo (1B) Trayecto 1 | ⑧ Trayecto 2 - aguas arriba (2A), aguas abajo (2B).
(Puertos para cables de sensor del trayecto 2, si procede.) |

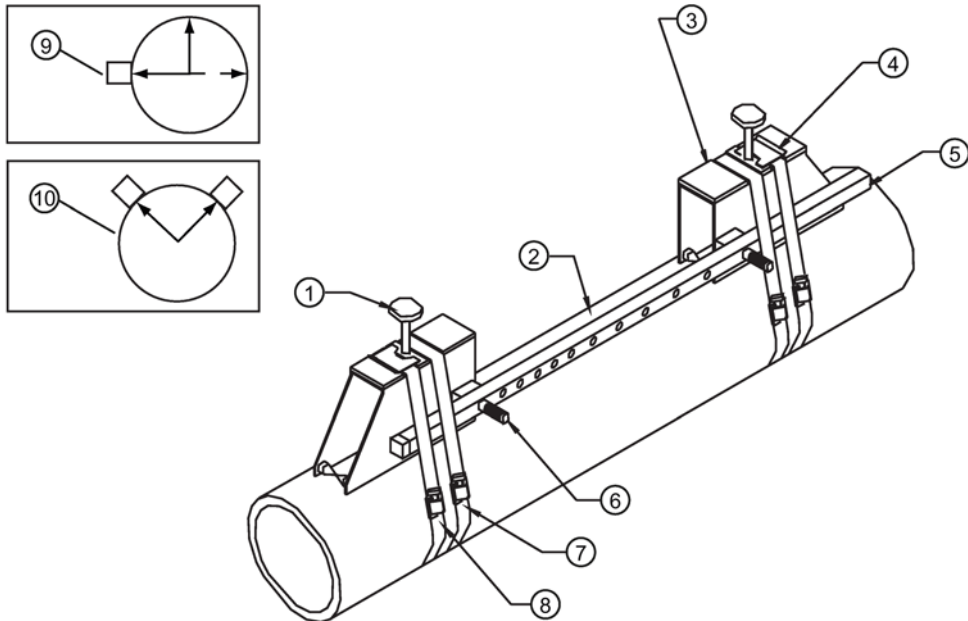
Figura 3-1 Sinopsis del transmisor de montaje mural (montaje en modo "Reflexión")

3.2 Montaje de sensores en modo "Reflexión"

Montaje en modo Reflexión: montaje del sensor utilizando marcos y un espaciador

1. Use el asistente de configuración para programar los parámetros de aplicación del caudalímetro, tales como el tamaño de la tubería, el tipo de fluido y el tamaño del sensor. Una vez introducidos los parámetros, el transmisor devolverá un número del índice de espaciado apropiado para la aplicación.
2. Utilice el espaciador suministrado observando una distancia entre los sensores que corresponda al número del índice de espaciado suministrado por el transmisor. El índice de espaciado proporciona la distancia correcta para los sensores sobre la base del tamaño de tubería indicado.

Antes de continuar, consulte más abajo el ejemplo de diagrama de montaje en modo "Reflexión".



- ① Tornillo de sujeción del sensor
- ② Tubería del cliente
- ③ Marco de montaje 7ME39600***
- ④ Clip de fijación por resorte (no está presente en todos los modelos)
- ⑤ Espaciador
- ⑥ Clavija y orificio de referencia del espaciador
- ⑦ Correa de montaje
- ⑧ Las tuberías de mayor diámetro pueden necesitar correas mayores.
- ⑨ Orientación del sensor de un solo haz en la posición de las 9
- ⑩ Orientación del sensor de doble haz en la posición de las 10 y las 2

Figura 3-2 Montaje en modo de reflexión

3.3 Disposición de los terminales

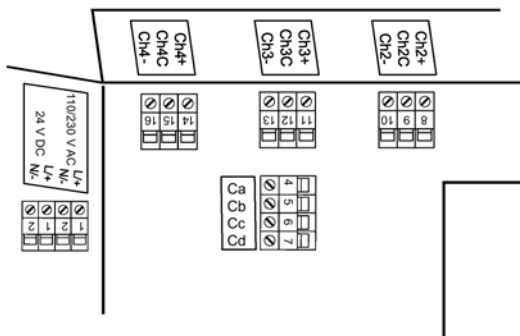


Figura 3-3 Disposición de los terminales: caja para montaje mural

Configuración HW	Configuración SW	Terminales														
		Alimentación			Canal 1			Canal 2			Canal 3			Canal 4		
		1	2	3	4	5	6	8	9	10	11	12	13	14	15	16
Alimentación		L	N	⊕												
Canal 1 HART	Salida de corriente HART				Activo											
Canal 2 salida	Corriente, frecuencia Impulso y estado					Pasivo		Activo								
Canales 3 y 4 Entrada/salida	Salidas: corriente, frecuencia, impulso y estado Entradas: digital y corriente									Activo			Activo			
Canales 3 y 4 Relé	Salida de estado									NC			NC			
										NO			NO			

Figura 3-4 Vista general de terminación y configuración (HART)

3.4 Montaje incorrecto

ATENCIÓN

Montaje incorrecto

El aparato puede dañarse, destruirse o disminuir su funcionalidad debido a un montaje inadecuado.

- Antes de la instalación, asegúrese de que no haya ningún daño visible en el aparato.
- Monte el aparato usando las herramientas adecuadas. Consulte las instrucciones de servicio.



PRECAUCIÓN

Pérdida del tipo de protección

Avería del aparato si la envolvente está abierta o no está cerrada de forma adecuada. El tipo de protección especificado en la placa de características o en Datos técnicos (Página 74) ya no está garantizado.

- Asegúrese de que el aparato está cerrado de forma segura.

3.5 Desmontaje



ADVERTENCIA

Desmontaje incorrecto

Un desmontaje incorrecto puede suponer los riesgos siguientes:

- Daños por choque eléctrico
- Riesgo de derrame de fluidos al conectarse al proceso
- Riesgo de explosión en áreas potencialmente explosivas

Para realizar un desmontaje correcto, tenga en cuenta lo siguiente:

- Antes de comenzar a trabajar, asegúrese de haber desconectado todas las variables físicas como la presión, temperatura, electricidad, etc. o que el valor de las mismas sea inocuo.
- Si el dispositivo contiene fluidos peligrosos, debe vaciarse antes de desmontarlo. Asegúrese de que no se ha emitido ningún medio que sea peligroso para el medio ambiente.
- Asegure las conexiones restantes de modo que no se produzcan daños si el proceso se inicia involuntariamente.

4 Conexión

4.1 Consignas básicas de seguridad

ADVERTENCIA

Cables inapropiados, pasacables y/o conectores

Riesgo de explosión en áreas peligrosas

- Solo deben usarse pasacables y conectores que cumplan con los requisitos correspondientes al tipo de protección.
- Apriete los pasacables de acuerdo con los pares especificados en Transmisor (Página 65).
- Cierre las entradas de cable no empleadas de las conexiones eléctricas.
- Si se desea reemplazar los pasables, utilice únicamente pasacables del mismo tipo.
- Después de la instalación compruebe que los cables estén colocados firmemente.

ADVERTENCIA

Tensión de contacto peligrosa

Peligro de descarga eléctrica en caso de una conexión incorrecta.

- Para las especificaciones sobre la conexión eléctrica consulte la información que se da en Datos técnicos (Página 74).
- En el lugar de montaje del dispositivo tenga en cuenta las directivas y leyes vigentes para la instalación de plantas eléctricas con tensiones nominales inferiores a 1000 V.

ATENCIÓN

Condensación en el aparato

Avería del aparato debida a la formación de condensación cuando la diferencia de temperatura entre el transporte o almacenamiento y el lugar de montaje sobrepasa los 20 °C (36 °F).

- Antes de poner en marcha el aparato, espere a que se adapte al nuevo ambiente durante algunas horas.

ADVERTENCIA

Falta PE/Conexión básica

Riesgo de descarga eléctrica.

Según la versión del dispositivo, conecte la fuente de alimentación del siguiente modo:

- **Conector de red:** asegúrese de que la toma de corriente utilizada tenga una conexión para el conductor de protección/terra. Compruebe que la conexión del conductor de protección/terra de la toma de corriente concuerde con la del conector de red.
- **Bornes de conexión:** conecte los bornes de acuerdo con el diagrama de conexión. Primero conecte el conductor de protección/terra.

ATENCIÓN

Temperatura ambiente demasiado alta

Daño en el revestimiento del cable.

- A una temperatura ambiente ≥ 60 °C (140 °F), use sólo cables resistentes al calor apropiados para una temperatura ambiente al menos 20 °C (36 °F) más alta.

ADVERTENCIA

Fuente de alimentación inadecuada

Riesgo de explosión en áreas potencialmente explosivas debido a una fuente de alimentación incorrecta, p. ej., si se usa corriente continua en lugar de corriente alterna.

- Conecte el dispositivo de acuerdo con la fuente de alimentación especificada y los circuitos de señales. Las especificaciones pertinentes se encuentran en los certificados, en Datos técnicos (Página 74) o en la placa de características.

 **ADVERTENCIA**

Falta la conexión equipotencial

Riesgo de explosión por intensidades de compensación o de encendido debido a la falta de conexión equipotencial.

- Asegúrese de que el aparato dispone de conexión equipotencial.

Excepción: se permite omitir la conexión equipotencial para los aparatos con el tipo de protección "Seguridad intrínseca Ex i".

 **ADVERTENCIA**

Extremos del cable sin protección

Riesgo de explosión debido a los extremos del cable sin protección en áreas potencialmente explosivas.

- Proteja los extremos del cable que no se utilicen conforme a la norma IEC/EN 60079-14.

 **ADVERTENCIA**

Tendido incorrecto de cables apantallados

Riesgo de explosión por intensidades de compensación entre áreas con y sin peligro de explosión.

- Los cables apantallados que cruzan áreas con peligro de explosión solo deben ponerse a tierra por un extremo.
- Si es necesario poner a tierra los dos extremos, utilice un conductor de conexión equipotencial.

 **ADVERTENCIA**

Aislamiento insuficiente de los circuitos con y sin seguridad intrínseca

Riesgo de explosión en áreas peligrosas

- Al conectar circuitos con y sin seguridad intrínseca, asegúrese de que el aislamiento se realice adecuadamente conforme a la normativa local, p. ej., IEC 60079-14.
- Asegúrese de observar las homologaciones del aparato aplicables en su país.

 **ADVERTENCIA**

Conexión del aparato en estado activado

Riesgo de explosión en áreas peligrosas

- Conecte los aparatos en áreas potencialmente explosivas únicamente en estado desactivado.

Excepciones:

- Los aparatos con el tipo de protección "Seguridad intrínseca Ex i" también pueden conectarse en estado activado en áreas potencialmente explosivas.
- Las excepciones para el tipo de protección "Antichispas nA" (zona 2) están reguladas en el certificado pertinente.

Nota

Compatibilidad electromagnética (CEM)

Este aparato se puede usar en viviendas, entornos industriales y pequeños negocios.

Para carcasas de metal hay una mayor compatibilidad electromagnética en comparación con la radiación de alta frecuencia. Esta protección puede incrementarse mediante la puesta a tierra de la carcasa, consulte Datos técnicos (Página 74).

Nota

Mejora de la inmunidad a perturbaciones

- Tienda cables de señales por separado de los cables con tensiones > 60 V.
 - Use cables con hilos trenzados.
 - Mantenga los dispositivos y cables a una distancia considerable de campos electromagnéticos fuertes.
 - Use cables apantallados para garantizar todas las especificaciones conforme a HART.
 - Conecte una resistencia de carga de como mínimo 230 Ω en serie en el circuito de señales para garantizar una comunicación HART libre de fallos. Si se usan aisladores de la fuente de alimentación para transmisores SITRANS HART, debe estar instalada una resistencia de carga en el dispositivo.
-

4.2 Transmisor

Preparación de la conexión

1. Suelte los cuatro tornillos de la tapa.
2. Abra la tapa.
3. Retire la herramienta de conexión F de la caja de montaje mural.

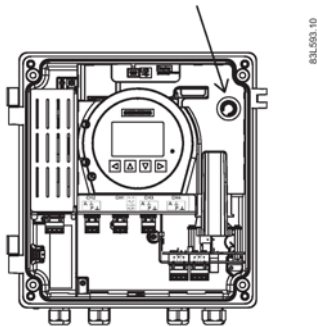
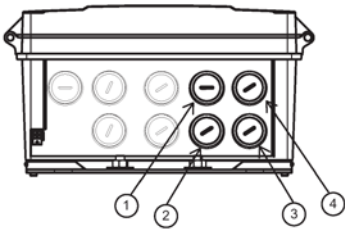


Figura 4-1 Ubicación de la herramienta de conexión F

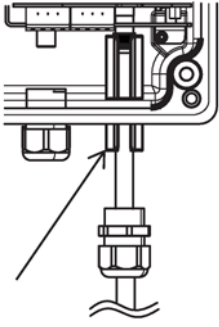
Conexión de los cables del caudalímetro

Para que el sistema funcione, al conectar los sensores es necesario que los cables se conecten correctamente. Ambos cables de sensor para cada trayecto deben conectarse al mismo número de puertos (1A y 1B o 2A y 2B) del transmisor.



Los cables del sensor se suministran con un conector F premontado en el extremo del transmisor.

1. Retire el tapón ciego de la caja de montaje mural.
2. Haga retroceder el pasacables de nuevo al cable y permitir el acceso a la herramienta de conexión F.
3. Coloque la herramienta de conexión F alrededor del cable y deslícela hacia arriba para que encaje en la ranura del conector F.
4. Inserte el cable a través de la abertura del pasacables. Asegúrese de que el contacto central se alinea con el puerto conector del transmisor.
5. Apriete el conector F con la herramienta hasta llegar al tope mecánico.



6. Retire la herramienta de conexión.
 7. Monte y apriete el pasacables.
- Repetir los pasos para cada cable del sensor.

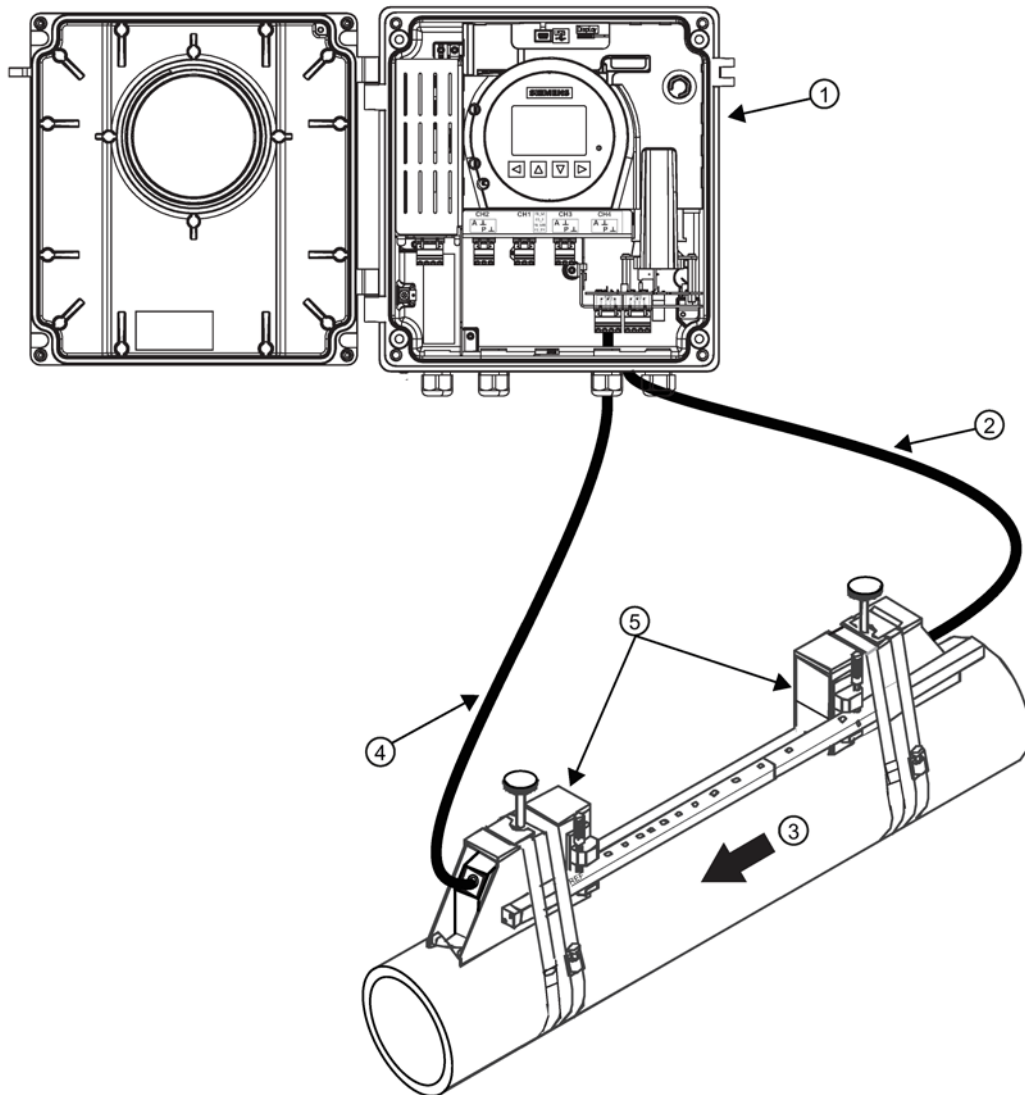
4.3 Montaje mural

Nota

El siguiente ejemplo se muestra en la configuración de sensor de montaje en reflexión.

Conecte los cables del sensor al transmisor de montaje mural del siguiente modo:

1. Llene el extremo del conector con Super Lube antes de la conexión.
2. Aplique Super Lube a las roscas internas en el extremo largo del conector roscado.
3. Teniendo en cuenta la orientación ascendente o descendente (3), conecte el cable de sensor ascendente (2) al puerto del transmisor (1A) y realice la conexión adecuada.
4. Conecte el cable de sensor descendente (4) al puerto del transmisor (1B) y realice la conexión adecuada.



- | | |
|--|---|
| ① Transmisor de montaje mural | ④ Cable de sensor descendente (1B) Trayecto 1 |
| ② Cable de sensor ascendente (1A) Trayecto 1 | ⑤ Sensores |
| ③ Sentido de flujo | |

Figura 4-2 Caja de montaje mural con conexiones de cable transmisor a sensor

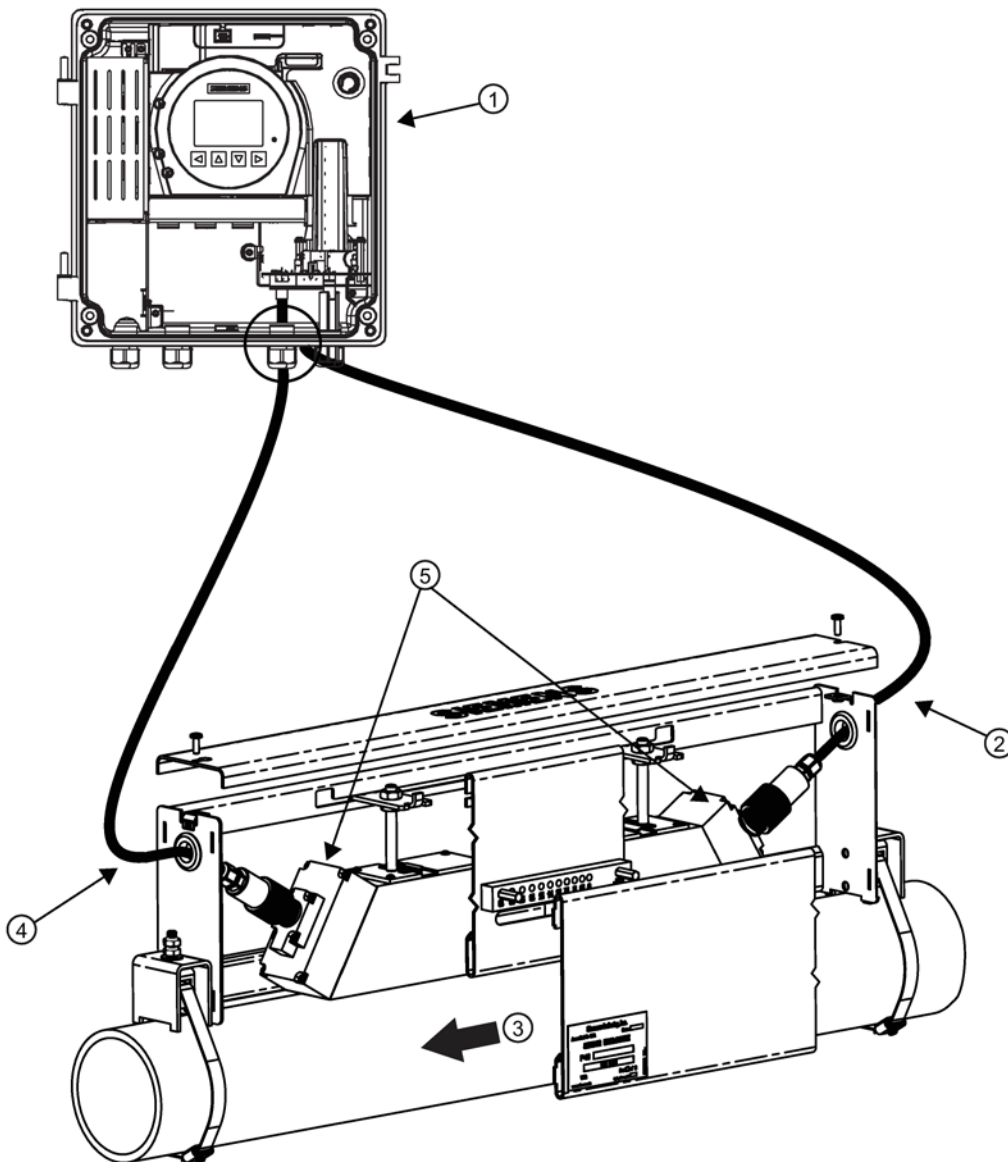
5. Apriete todos los prensaestopas del cable para obtener un sellado óptimo.
6. Consulte las instrucciones de servicio del transmisor FST030 para programarlo.

4.4 Montaje de alta precisión

Cableado de montaje en reflexión con carcasa sencilla

Conecte los cables del sensor al transmisor del siguiente modo:

1. Llene el extremo del conector con Super Lube antes de la conexión.
2. Aplique Super Lube a las roscas internas en el extremo largo del conector roscado.
3. Teniendo en cuenta la orientación ascendente o descendente ③, conecte el cable de sensor ascendente ② al puerto del transmisor (1A) y realice la conexión adecuada.
4. Conecte el cable de sensor descendente ④ al puerto del transmisor (1B) y realice la conexión adecuada.



- | | |
|---|--|
| ① Transmisor de montaje mural | ③ Sentido de flujo |
| ② Cable de sensor ascendente a puerto DSL interno (1A) trayecto 1 | ④ Cable de sensor descendente a puerto de transmisor (1B) Trayecto 1 |
| | ⑤ Sensores de montaje de alta precisión |

Figura 4-3 Cableado de carcasa sencilla para montaje en reflexión de alta precisión

5. Apriete todos los prensaestopas del cable para obtener un sellado óptimo.

Cableado de montaje en reflexión con carcasa doble

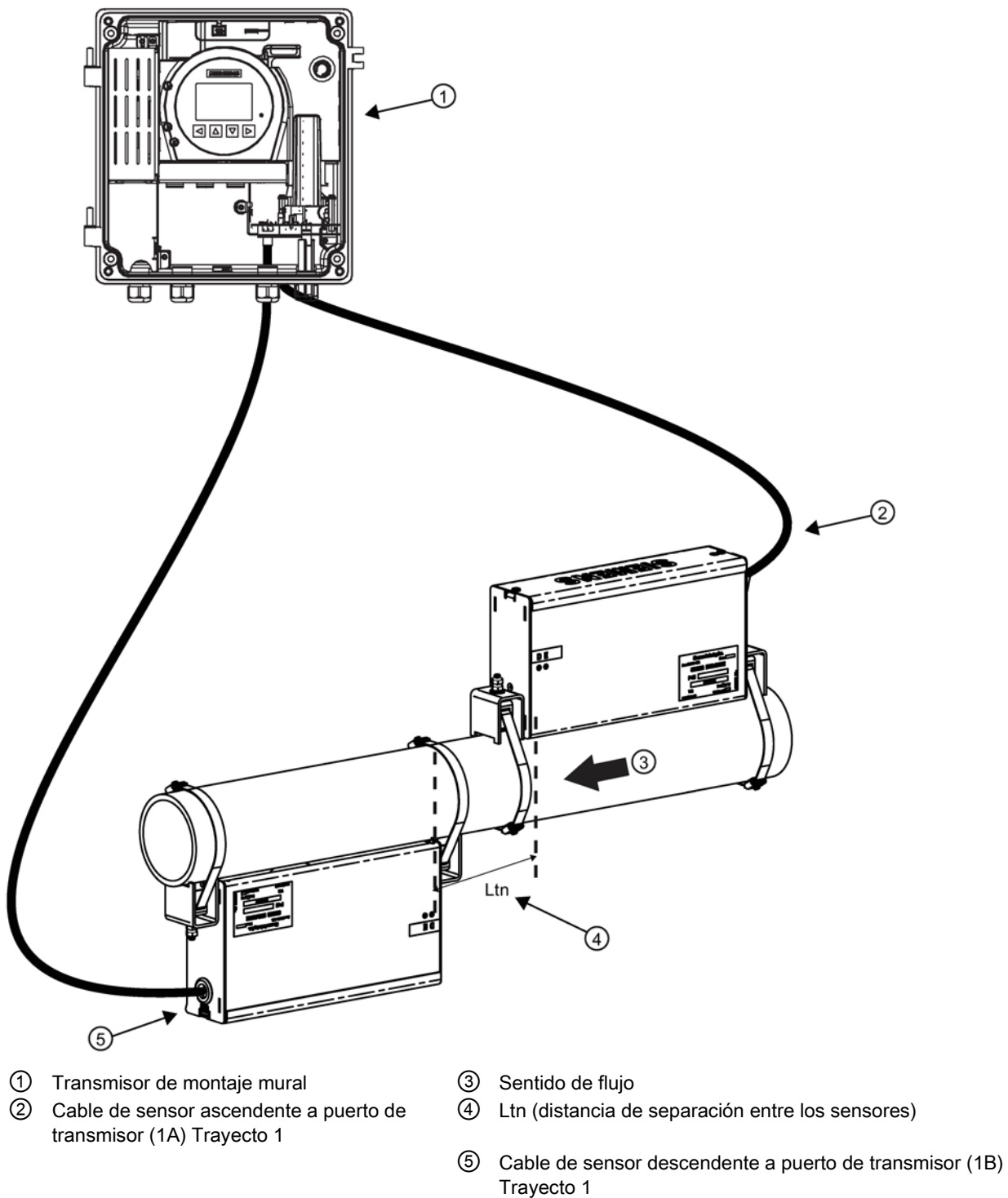
Basándose en la figura superior de montaje en reflexión con carcasa sencilla de alta precisión, conecte los cables de sensor de la carcasa dual de montaje en reflexión de alta precisión a los puertos del transmisor del siguiente modo:

1. Teniendo en cuenta la orientación ascendente o descendente ③, conecte los cables de sensor a los puertos del transmisor.
2. Apriete todos los prensaestopas del cable para obtener un sellado óptimo.
3. Consulte las instrucciones de servicio del transmisor FST030 para programarlo.

Cableado de montaje directo con carcasa doble

Conecte los cables del sensor al DSL y al transmisor del siguiente modo:

1. Llene el extremo del conector con Super Lube antes de la conexión.
2. Aplique Super Lube a las roscas internas en el extremo largo del conector roscado.
3. Teniendo en cuenta la orientación ascendente o descendente ③, conecte el cable de sensor ascendente ② al puerto del transmisor (1A) y realice la conexión adecuada.
4. Conecte el cable de sensor descendente ⑤ al puerto del transmisor (1B) y realice la conexión adecuada.



- ① Transmisor de montaje mural
- ② Cable de sensor ascendente a puerto de transmisor (1A) Trayecto 1
- ③ Sentido de flujo
- ④ L_{tn} (distancia de separación entre los sensores)
- ⑤ Cable de sensor descendente a puerto de transmisor (1B) Trayecto 1


Figura 4-4 Cableado de sensor de caja dual de montaje directo de alta precisión


- 5. Apriete todos los prensaestopas del cable para obtener un sellado óptimo.
- 6. Consulte las instrucciones de servicio del transmisor FST030 para programarlo.

5 Puesta en servicio


5.1 Consignas básicas de seguridad

5.1.1 Gases y líquidos tóxicos


 PELIGRO
Gases y líquidos tóxicos Peligro de intoxicación cuando el dispositivo se purga: si se miden medios tóxicos, pueden emitirse gases y líquidos tóxicos. <ul style="list-style-type: none">• Antes de purgar el dispositivo, asegúrese de que no haya gases ni líquidos tóxicos en él, o tome las medidas de protección adecuadas.


 ADVERTENCIA
Puesta en marcha y funcionamiento con error pendiente Si aparece un mensaje de error, no se garantizará un funcionamiento correcto en el proceso. <ul style="list-style-type: none">• Compruebe la gravedad del error.• Corrija el error.• Si el error persiste:<ul style="list-style-type: none">– ponga el dispositivo fuera de servicio.– Evite una nueva puesta en marcha.

5.1.2 Puesta en servicio incorrecta en áreas potencialmente explosivas

 ADVERTENCIA
Puesta en servicio incorrecta en áreas potencialmente explosivas Fallo del dispositivo o riesgo de explosión en áreas potencialmente explosivas. <ul style="list-style-type: none">• No ponga en marcha el dispositivo hasta que haya sido montado completamente y conectado conforme a la información indicada en Datos técnicos (Página 74).• Antes de la puesta en marcha tenga en cuenta el efecto en otros dispositivos del sistema.

5.1.3 Abrir el dispositivo en estado activado

 PRECAUCIÓN
Pérdida del tipo de protección Avería del aparato si la envolvente está abierta o no está cerrada de forma adecuada. El tipo de protección especificado en la placa de características o en Datos técnicos (Página 74) ya no está garantizado. <ul style="list-style-type: none">• Asegúrese de que el aparato está cerrado de forma segura.

 ADVERTENCIA
Tensión de contacto peligrosa Riesgo de lesiones debido al contacto peligroso con la tensión cuando el aparato está abierto o no está completamente cerrado. El grado de protección especificado en la placa de características o en el apartado Datos técnicos (Página 74) no se garantiza si el aparato está abierto o no está completamente cerrado. <ul style="list-style-type: none">• Asegúrese de que el aparato está cerrado de forma segura.

5.1.4 Peligro de explosión con medios a medir a más de 100 °C que atraviesan la cubierta a presión

ADVERTENCIA

Peligro de explosión con medios a medir a más de 100 °C que atraviesan la cubierta a presión

La protección contra explosión ya no está garantizada y la homologación pierde su validez.

Un medio a medir a más de 100 °C no debe atravesar en un servicio normal la cubierta a presión.

ADVERTENCIA

Pérdida de la protección contra explosión

Riesgo de explosión en áreas potencialmente explosivas en caso de que el dispositivo esté abierto o no esté cerrado de forma adecuada.

- Cierre el dispositivo tal y como se describe en Conexión (Página 63).

5.1.5 Superficies calientes

ADVERTENCIA

Superficies calientes

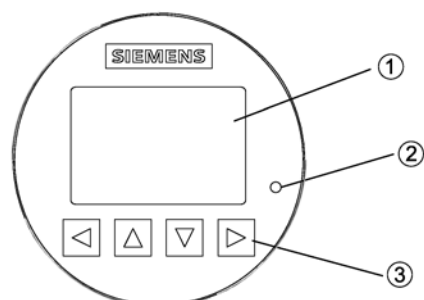
Riesgo de quemaduras debido a superficies calientes.

- Tome las medidas de protección correspondientes, por ejemplo, vistiendo guantes de protección.

5.2 Display local

El dispositivo se pone en marcha y se maneja a través del teclado del display local.

Los elementos se accionan tocando el panel de vidrio sobre la tecla correspondiente. La tecla no se activará por pulsar más fuerte pero, en caso necesario, utilice el pulgar en lugar de un dedo. La visualización del texto sobre los elementos de mando permite utilizar las funciones o parámetros del dispositivo mediante menú. El funcionamiento correcto de la tecla se confirma con un pequeño LED verde en la parte derecha de la visualización.



- ① Visualización completamente gráfica
- ② LED (para indicar el funcionamiento de las teclas)
- ③ Teclado táctil

Figura 5-1 Display local

Nota

(Re)calibración del teclado

Al cerrar la tapa, todas las teclas se (re)calibran (< 5 segundos). Durante la (re)calibración el LED se mantiene encendido y las teclas no pueden accionarse.

Al pulsar una de las teclas durante más de 10 segundos, se iniciará su (re)calibración, que dura menos de 10 segundos. Suelte la tecla para continuar.

Nota**HMI timeout**

Si no se presiona ninguna tecla durante 10 minutos, la visualización cambia a la vista de operación. Si la retroiluminación de la pantalla está ajustada a automática, se apaga automáticamente 30 segundos después de la última pulsación de una tecla.

Nota

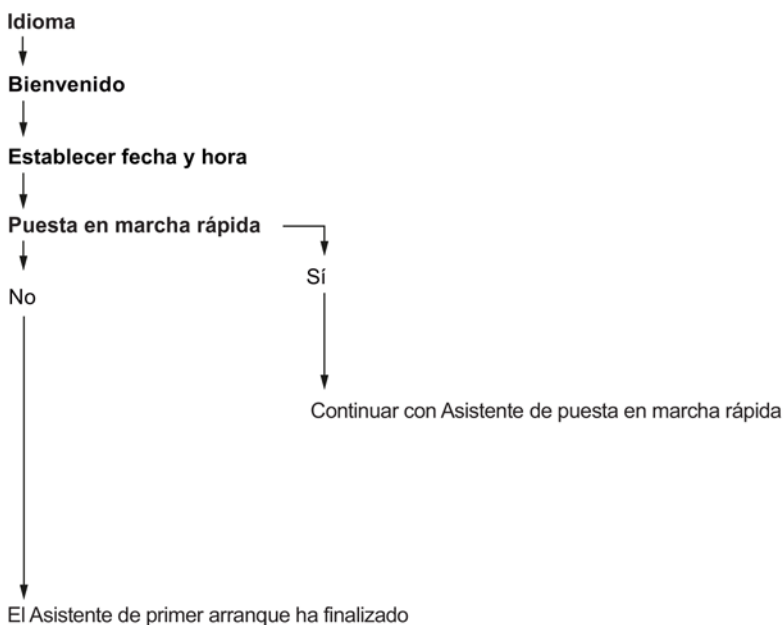
No se requiere abrir el aparato para manejarlo. De ese modo el elevado grado de protección IP67 y seguridad en áreas con peligro de explosión están garantizados de forma permanente.

5.3 Arranque inicial

La primera vez que se enciende el dispositivo, se le pedirá que configure el idioma. El dispositivo comienza siempre mostrando Language en inglés. Cuando se ha establecido el idioma, se le pedirá que establezca la fecha y la hora.

Antes de utilizar el caudalímetro por primera vez hay que considerar parámetros esenciales. Después de confirmar o modificar la fecha y la hora, se puede elegir entre aceptar los valores predeterminados o iniciar el Asistente de puesta en marcha rápida.

Se le preguntará si desea iniciar el Asistente de puesta en marcha rápida. Si elige Sí (recomendado), se iniciará el Asistente de puesta en marcha rápida. Si elige No estará aceptando los valores predeterminados del dispositivo, y la próxima vista de la HMI será la vista 1 de operación.

Arranque**Texto**

Idioma

Bienvenido

Establecer fecha y hora

Puesta en marcha rápida

Opciones/Descripción

Ajuste el idioma: English, Deutsch, Français, Italiano, Español, 汉语

Información acerca del Asistente de puesta en marcha rápida

La fecha y la hora establecidas (reloj de tiempo real) se utiliza para todos los sellos de tiempo de la información registrada

El Asistente de puesta en marcha rápida incluye los parámetros o menús más importantes para realizar una configuración rápida del caudalímetro

6 Datos técnicos

6.1 Potencia

Tabla 6-1 Alimentación

Descripción	Especificación
Tensión de alimentación	<ul style="list-style-type: none">De 100 a 240 V AC +10/-10%, de 47 a 63 HzDe 20 a 27 V DC +10/-10%
Potencia consumida	15 VA/7,5 W
Fluctuación	<ul style="list-style-type: none">Sobretensiones transitorias hasta los niveles de sobretensión categoría IISobretensiones temporales sólo en la alimentación
Protección contra inversión de polaridad (s / n)	Y
Aislamiento galvánico	3000 V AC

6.2 Interfaz HART

Tabla 6-2 Comunicación HART

Descripción	Especificación
Revisión HART	7,5
Administradores de dispositivos soportados	SIMATIC PDM V8.2 SP1 o superior
Descripción de dispositivos soportada (EDD)	V1.00.00

6.3 Condiciones de funcionamiento

Tabla 6-3 Condiciones básicas

Descripción	Especificación	
Temperatura ambiente (humedad máx. 90%)	Operación: Transmisor sin display Transmisor con display	De -40 a +60 °C (de -40 a +140 °F) De -20 a +60 °C (de -4 a +140 °F)
Temperatura ambiente (humedad máx. 90%)	Almacenamiento:	De -40 a +70 °C (de -40 a +158 °F)
Clase climática		DIN 60721-3-4
Altura		Hasta 2000 m (6560 ft)
Humedad relativa		95 %
Resistencia a golpes		Bajo demanda
Resistencia al choque		Bajo demanda
Choque térmico		Bajo demanda
Resistencia a la vibración		Bajo demanda
Características CEM	<ul style="list-style-type: none">EmisiónInmunidad	<ul style="list-style-type: none">EN 55011 / CISPR-11EN/IEC 61326-1 (industria) NAMUR NE 21

Tabla 6-4 Condiciones del fluido del proceso

Descripción	Especificación
Temperatura del fluido del proceso (T_s) (de mín a máx) [°C]	De -50 a +200 °C (de -58 a 492 °F)
Densidad del fluido del proceso (de mín a máx)	De 1 a 5000 kg/m ³ (de 0,06 a 312 lb/ft ³)
Sobrepresión del fluido del proceso (de mín a máx)	De 0 a 160 bar (de 0 a 2321 psi)
Presión absoluta del fluido del proceso (de mín a máx)	Acero inoxidable: De 1 a 101 bar (de 14,5 a 1465 psi) Hastelloy: De 1 a 161 bar (de 14,5 a 2335 psi)
Viscosidad del fluido del proceso	Gases y líquidos no comprimibles

7 Servicio y mantenimiento

7.1 Consignas básicas de seguridad

Nota

El dispositivo no requiere mantenimiento.

7.1.1 Mantenimiento

El dispositivo no requiere mantenimiento. Sin embargo, se debe realizar una inspección periódica según las directivas y normas pertinentes.

Una inspección puede incluir la comprobación de:

- Condiciones ambientales
- la integridad de sellado de las conexiones de procesos, entradas de cable y tornillos de la cubierta
- la fiabilidad de la fuente de alimentación, protección de iluminación y puestas a tierra

ATENCIÓN

Las tareas de reparación y servicio técnico deben ser realizadas únicamente por personal autorizado por Siemens.

Nota

Siemens define los sensores de caudal como productos no reparables.

ADVERTENCIA

No se permite la reparación y el mantenimiento del dispositivo

- Las tareas de reparación y mantenimiento deben ser realizadas únicamente por personal autorizado por Siemens.

ADVERTENCIA

Capas de polvo de más de 5 mm

Riesgo de explosión en áreas peligrosas

El dispositivo puede sobrecalentarse debido a la acumulación de polvo.

- Elimine las capas de polvo que sobrepasen los 5 mm.

ATENCIÓN

Entrada de humedad en el dispositivo

Avería del dispositivo.

- Al realizar las tareas de limpieza y mantenimiento, asegúrese de que no entre humedad en el dispositivo.

PRECAUCIÓN

Desbloqueo de teclas

La modificación incorrecta de los parámetros puede influir en la seguridad del proceso.


- Asegúrese de que sólo el personal autorizado puede anular el bloqueo de teclas de los aparatos para aplicaciones de seguridad.

7.2 Limpieza


Limpieza del encapsulado


- Limpie el exterior del encapsulado con las inscripciones y el display usando un paño humedecido con agua o jabón suave.


- No utilice productos de limpieza agresivos ni disolventes, como acetona. Los componentes de plástico o superficies pintadas podrían dañarse. Las inscripciones podrían volverse ilegibles.


 ADVERTENCIA
Carga electrostática Riesgo de explosión en áreas potencialmente explosivas si se produce una carga electrostática, p. ej., al limpiar superficies de plástico con un paño seco.
<ul style="list-style-type: none"> • Evite la carga electrostática en áreas potencialmente explosivas.

7.3 Tareas de mantenimiento y reparación

 ADVERTENCIA
Mantenimiento durante el funcionamiento continuo en un área potencialmente explosiva Existe riesgo de explosión si se realizan tareas de reparación y mantenimiento en el dispositivo en un área potencialmente explosiva.
<ul style="list-style-type: none"> • Desconecte el dispositivo de la alimentación. - o - • Asegúrese de que la atmósfera no sea explosiva (permiso de trabajo en zona restringida).

 ADVERTENCIA
Accesorios y repuestos no admisibles Riesgo de explosión en áreas potencialmente explosivas.
<ul style="list-style-type: none"> • Use únicamente accesorios y repuestos originales. • Tenga en cuenta las instrucciones de instalación y seguridad pertinentes descritas en las instrucciones del dispositivo o del encapsulado con los accesorios y los repuestos.

 ADVERTENCIA
Ambiente húmedo Riesgo de descarga eléctrica.
<ul style="list-style-type: none"> • Evite trabajar en el aparato si está activado. • Si trabaja en un aparato activado asegúrese de que el entorno esté seco. • Al realizar las tareas de limpieza y mantenimiento, asegúrese de que no penetre humedad en el aparato.

 PRECAUCIÓN
Superficies calientes Riesgo de quemaduras al realizar tareas de mantenimiento en piezas con temperaturas superficiales superiores a 70 °C (158 °F).
<ul style="list-style-type: none"> • Tome las medidas de protección correspondientes, por ejemplo, vistiendo guantes de protección. • Después de realizar el mantenimiento, monte nuevamente las medidas de protección.

ADVERTENCIA

Abrir el encapsulado abierto

Riesgo de explosión en áreas potencialmente explosivas debido a componentes calientes o condensadores cargados dentro del dispositivo.

Proceda del siguiente modo para abrir el dispositivo en un área con peligro de explosión:

1. Desconecte el dispositivo de la alimentación.
2. Tenga en cuenta el tiempo de espera especificado en Datos técnicos (Página 74) o en la señal de advertencia antes de abrir el dispositivo.
3. Entrada y salida de sensor (inspección visual).

Excepción: los aparatos que solo cuentan con el tipo de protección "Seguridad intrínseca Ex i" pueden abrirse bajo tensión en áreas con peligro de explosión.

ADVERTENCIA

Conexión incorrecta después del mantenimiento

Riesgo de explosión en áreas potencialmente explosivas.

- Conecte el dispositivo correctamente después del mantenimiento.
- Cierre el dispositivo después de las tareas de mantenimiento.

Consulte Conexión (Página 63).

7.4 Procedimiento de devolución

Adjunte el albarán de entrega, el documento de devolución y la declaración de descontaminación en una funda transparente y fíjela bien en la parte exterior del embalaje.

Formularios requeridos

- Albarán
- Hoja de ruta para productos devueltos (<http://www.siemens.com/processinstrumentation/returngoodsnote>)

Con la siguiente información:

- Descripción del producto
 - Número de unidades/recambios devueltos
 - Motivo de devolución
- Declaración de descontaminación (<http://www.siemens.com/sc/declarationofdecontamination>)
- Mediante esta declaración usted garantiza "que el dispositivo/recambio se ha limpiado cuidadosamente y no presenta residuos. El dispositivo/recambio no supone un peligro para las personas ni el medio ambiente".

Si el dispositivo/recambio devuelto debe entrar en contacto con sustancias tóxicas, corrosivas, inflamables o contaminantes para el agua, debe limpiarlo y descontaminarlo minuciosamente antes de devolverlo, a fin de asegurar que todas sus zonas huecas están libres de sustancias peligrosas. Compruebe el producto después de limpiarlo.

Todo dispositivo/recambio devuelto sin la correspondiente declaración de descontaminación será limpiado a cargo suyo antes de iniciar cualquier operación.

7.5 Eliminación



Los aparatos descritos en este manual son reciclables. No deben eliminarse a través de los servicios municipales de recogida de basuras, de acuerdo con la Directiva 2012/19/CE sobre residuos de aparatos eléctricos y electrónicos (WEEE).

Pueden devolverse al fabricante en el territorio de la CE o bien entregarse a un servicio de recogida local autorizado. Tenga en cuenta la normativa específica vigente en su país.

Encontrará más información sobre los dispositivos con baterías en: Información sobre devoluciones de baterías / productos (WEEE)

(<https://support.industry.siemens.com/cs/document/109479891/>)

A Anexo A

Asistencia técnica

Si esta documentación no ofrece respuesta clara a las preguntas técnicas que puedan surgir, póngase en contacto con el Technical Support en:

- Solicitud de asistencia (<http://www.siemens.com/automation/support-request>)
- Encontrará más información sobre nuestro soporte técnico en Asistencia técnica (<http://www.siemens.com/automation/csi/service>)

Internet Service & Support

Además de nuestra documentación, Siemens ofrece una solución de asistencia integral en:

- Services&Support (<http://www.siemens.com/automation/service&support>)

Persona de contacto

Si tiene más preguntas sobre el aparato, póngase en contacto con su persona de contacto en Siemens:

- Interlocutor (<http://www.automation.siemens.com/partner>)

Para encontrar el contacto correspondiente a su producto, en 'Todos los productos y rubros' seleccione la ruta 'Tecnología de automatización > Sistemas de sensores'.

Documentación

Encontrará la documentación de los diferentes productos y sistemas en:

- Instrucciones y manuales Instrucciones y manuales (<http://www.siemens.com/processinstrumentation/documentation>)

A.1 Certificados

Encontrará certificados vía Internet en Certificados (<http://www.siemens.com/processinstrumentation/certificates>) o en el DVD adjunto.

Marcas registradas

Todos los nombres marcados con ® son marcas registradas de Siemens AG. Los restantes nombres y designaciones contenidos en el presente documento pueden ser marcas registradas cuya utilización por terceros para sus propios fines puede violar los derechos de sus titulares.

Exención de responsabilidad

Hemos comprobado la concordancia del contenido de esta publicación con el hardware y el software descritos. Sin embargo, como es imposible excluir desviaciones, no podemos hacernos responsable de la plena concordancia. El contenido de esta publicación se revisa periódicamente; si es necesario, las posibles correcciones se incluyen en la siguiente edición.

Siemens AG
Division Process Industries and Drives
Postfach 48 48
90026 NÜRNBERG
ALEMANIA

SITRANS FS230
A5E38755607, 02/2017

SIEMENS

SITRANS F

Débitmètres à ultrasons

SITRANS FS230

Notice de service

Mentions légales

Signalétique d'avertissement

Ce manuel donne des consignes que vous devez respecter pour votre propre sécurité et pour éviter des dommages matériels. Les avertissements servant à votre sécurité personnelle sont accompagnés d'un triangle de danger, les avertissements concernant uniquement des dommages matériels sont dépourvus de ce triangle. Les avertissements sont représentés ci-après par ordre décroissant de niveau de risque.

 DANGER

signifie que la non-application des mesures de sécurité appropriées entraîne la mort ou des blessures graves.
--

 ATTENTION
--

signifie que la non-application des mesures de sécurité appropriées peut entraîner la mort ou des blessures graves.
--

 PRUDENCE

signifie que la non-application des mesures de sécurité appropriées peut entraîner des blessures légères.

IMPORTANT

signifie que la non-application des mesures de sécurité appropriées peut entraîner un dommage matériel.

En présence de plusieurs niveaux de risque, c'est toujours l'avertissement correspondant au niveau le plus élevé qui est reproduit. Si un avertissement avec triangle de danger prévient des risques de dommages corporels, le même avertissement peut aussi contenir un avis de mise en garde contre des dommages matériels.

Personnes qualifiées

L'appareil/le système décrit dans cette documentation ne doit être manipulé que par du **personnel qualifié** pour chaque tâche spécifique. La documentation relative à cette tâche doit être observée, en particulier les consignes de sécurité et avertissements. Les personnes qualifiées sont, en raison de leur formation et de leur expérience, en mesure de reconnaître les risques liés au maniement de ce produit / système et de les éviter.

Utilisation des produits Siemens conforme à leur destination

Tenez compte des points suivants:

 ATTENTION
--

Les produits Siemens ne doivent être utilisés que pour les cas d'application prévus dans le catalogue et dans la documentation technique correspondante. S'ils sont utilisés en liaison avec des produits et composants d'autres marques, ceux-ci doivent être recommandés ou agréés par Siemens. Le fonctionnement correct et sûr des produits suppose un transport, un entreposage, une mise en place, un montage, une mise en service, une utilisation et une maintenance dans les règles de l'art. Il faut respecter les conditions d'environnement admissibles ainsi que les indications dans les documentations afférentes.

1 Introduction

1.1 Objet de cette documentation

Le présent document contient toutes les informations de santé et de sécurité requises pour une utilisation sans risque de l'appareil.

Veillez lire attentivement les instructions de service figurant sur le support de données électronique avant de procéder à l'installation et à la mise en service de l'appareil.

1.2 Historiques des révisions

Le tableau ci-dessous indique les modifications majeures apportées à la documentation depuis la dernière édition.

Edition	Commentaires	Version du firmware	Version du matériel	Version EDD	Révision HART de l'appareil
02/2017	<ul style="list-style-type: none">• Première édition	1.00.00	01	<ul style="list-style-type: none">• Pilote SIMATIC PDM pour HART 1.00.00• Pilote SIMATIC PDM pour Modbus 1.00.00• Pilote AMS pour HART 1.00.00• Entraîneur FC475 pour HART 1.00.00• Pilote DTM/FDT pour HART 1.00.00	1

1.3 Utilisation prévue

Pour mesurer le procédé, utilisez l'appareil conformément aux informations figurant dans les instructions de service.

Remarque

Utilisation dans un environnement domestique

Cet équipement appartenant à la classe A, groupe 1 a été conçu pour une utilisation en environnement industriel. Il peut provoquer des perturbations radioélectriques s'il est utilisé dans un environnement domestique.

1.4 Vérification de la livraison

1. Vérifier si l'emballage et les produits fournis présentent des traces d'endommagement visibles.
2. Signalez sans tarder tout droit en dommages et intérêts au transporteur.
3. Conservez les pièces endommagées jusqu'à ce que la situation soit clarifiée.
4. Vérifiez la régularité et la complétude de la fourniture en comparant les documents de livraison à votre commande.

ATTENTION

Utilisation d'un appareil endommagé ou incomplet

Risque d'explosion en zones à risques.

- N'utilisez pas d'appareils endommagés ou incomplets.

1.5 Notes de sécurité

Siemens commercialise des produits et solutions comprenant des fonctions de sécurité industrielle qui contribuent à une exploitation sûre des installations, systèmes, machines et réseaux.

Pour garantir la sécurité des installations, systèmes, machines et réseaux contre les cybermenaces, il est nécessaire d'implémenter (et de préserver) un concept de sécurité industrielle global et moderne. Les produits et solutions de Siemens ne constituent qu'une partie d'un tel concept.

Il incombe au client d'empêcher tout accès non autorisé à ses installations, systèmes, machines et réseaux. Les systèmes, machines et composants doivent uniquement être connectés au réseau d'entreprise ou à Internet si et dans la mesure où c'est nécessaire et si des mesures de protection correspondantes (p. ex. utilisation de pare-feux et segmentation du réseau) ont été prises.

En outre, vous devez tenir compte des recommandations de Siemens concernant les mesures de protection correspondantes. Pour plus d'informations sur la sécurité industrielle, rendez-vous sur:

<http://www.siemens.com/industrialsecurity>

Les produits et solutions Siemens font l'objet de développements continus pour être encore plus sûrs. Siemens vous recommande donc vivement d'effectuer des actualisations dès que les mises à jour correspondantes sont disponibles et de ne toujours utiliser que les versions de produit actuelles. L'utilisation de versions obsolètes ou qui ne sont plus prises en charge peut augmenter le risque de cybermenaces.

Afin d'être informé des mises à jour produit dès qu'elles surviennent, abonnez-vous au flux RSS Siemens Industrial Security sous:

<http://www.siemens.com/industrialsecurity>

1.6 Transport et stockage

Afin de garantir une protection suffisante pendant le transport et le stockage, respectez les mesures suivantes :

- Gardez l'emballage d'origine pour un transport ultérieur.
- Les appareils/pièces de rechange doivent être retournés dans leur emballage d'origine.
- Si l'emballage d'origine n'est plus disponible, veillez à ce que toutes les expéditions soient emballées de manière adéquate, assurant une protection suffisante durant le transport. Siemens n'assume aucune responsabilité pour les frais associés aux dommages de transport.

IMPORTANT

Protection insuffisante pendant le stockage

L'emballage n'assure qu'une protection limitée contre l'humidité et les infiltrations.

- Assurez un emballage supplémentaire si nécessaire.

Les conditions de stockage et de transport spéciales de l'appareil sont mentionnées dans le chapitre Caractéristiques techniques (Page 100).

1.7 Informations supplémentaires

Le contenu de ce manuel ne fait pas partie d'une convention, d'un accord ou d'un statut juridique antérieur ou actuel, et ne doit en rien les modifier. Toutes les obligations de Siemens AG sont stipulées dans le contrat de vente qui contient également les seules conditions de garantie complètes et valables. Ces clauses contractuelles de garantie ne sont ni étendues, ni limitées par les indications figurant dans les instructions de service.

Le contenu correspond à l'état technique au moment de la publication. Sous réserve de modifications techniques dans le cadre de l'évolution du produit.


2 Consignes de sécurité

2.1 Conditions pour l'utilisation

Cet appareil a quitté l'usine en parfait état technique. Pour le garder dans cet état et pour en assurer un fonctionnement dénué de danger, observez ces instructions de service ainsi que toutes les informations relatives à la sécurité.

Observez les remarques et icônes situées sur l'appareil. N'en retirez aucune de l'appareil. Veillez à ce que les remarques et les icônes soient lisibles en permanence.

2.1.1 Symboles d'avertissement sur l'appareil

Symbole	Explication
	Consultez les instructions de service

2.1.2 Note SIL

Remarque

Applications de sécurité fonctionnelle (SIL)

Si vous utilisez l'appareil dans une application de sécurité fonctionnelle, référez-vous au manuel sur la sécurité fonctionnelle.

2.1.3 Lois et directives

Respectez les règles de sécurité, les dispositions et les lois en vigueur dans votre pays lors du raccordement, du montage et de l'utilisation. Cela inclut par exemple :

- Le Code national de l'électricité (NEC - NFPA 70) (États-Unis)
- Le Code canadien de l'électricité (CCE) (Canada)

D'autres dispositions pour les applications en zones à risque d'explosion comprennent par exemple :

- CEI 60079-14 (internationale)
- EN 60079-14 (CE)

Le marquage CE apposé sur l'appareil atteste la conformité avec les directives européennes suivantes :

Compatibilité électromagnétique (CEM)
2014/30/UE

Directive du Parlement européen et du Conseil relative au rapprochement des législations des États membres concernant la compatibilité électromagnétique


Directive basse tension (DBT)
2014/35/UE

Directive du Parlement européen et du Conseil concernant le rapprochement des législations des États membres relatives à la mise à disposition sur le marché du matériel électrique destiné à être employé dans certaines limites de tension

Atmosphère explosible ATEX
2014/34/EU

Directive du Parlement européen et du Conseil concernant le rapprochement des législations des États membres pour les appareils et les systèmes de protection destinés à être utilisés en atmosphères explosibles.

Les directives applicables se trouvent dans la déclaration de conformité UE de l'appareil particulier.

 ATTENTION
Modifications incorrectes de l'appareil Toute modification de l'appareil, notamment dans les zones à risques, peut entraîner un risque pour le personnel, le système et l'environnement. <ul style="list-style-type: none">• Il faut seulement effectuer les modifications qui sont décrites dans les instructions de l'appareil. Le non-respect de cette exigence annule la garantie et les approbations du produit du fabricant.

2.2 Exigences d'applications spécifiques

En raison des nombreuses applications possibles, les détails relatifs aux versions d'appareil décrites et à l'ensemble des scénarios possibles durant la mise en service, l'exploitation, la maintenance ou l'exploitation au sein de systèmes ne peuvent pas tous être considérés dans ces instructions. Si vous avez besoin d'une information supplémentaire ne figurant pas dans ces instructions, contactez l'agence Siemens de votre région ou le représentant de votre société.

Remarque

Exploitation dans des conditions ambiantes spéciales

Avant d'utiliser l'appareil dans des conditions ambiantes spéciales (dans une centrale nucléaire, par exemple) ou à des fins de recherche et de développement, nous vous recommandons vivement de contacter votre représentant Siemens ou notre division application.

2.3 Utilisation en zones à risque

Personnel qualifié pour applications en atmosphère explosible

Les personnes effectuant l'installation, le raccordement, la mise en service, la commande et la maintenance de l'appareil en atmosphère explosible doivent posséder les qualifications suivantes :

- Elles jouissent d'une autorisation, d'une formation et reçoivent des instructions quant à l'utilisation et à la maintenance des appareils et des systèmes conformément aux règles de sécurité afférentes aux circuits électriques, aux hautes pressions, ainsi qu'aux milieux agressifs et à risque d'explosion.
- Etre autorisées et formées pour intervenir sur les circuits électriques de systèmes présentant des risques d'explosions.
- Etre formées selon les standards de sécurité en matière d'entretien et d'utilisation d'un équipement de sécurité adapté.

ATTENTION

Utilisation en zones dangereuses

Risque d'explosion.

- Pour une exploitation en zone à risque d'explosion, utilisez uniquement des équipements homologués et étiquetés en conséquence.

ATTENTION


Perte de la fonction de sécurité avec le type de protection "Sécurité intrinsèque Ex i"


Si l'appareil a déjà été exploité dans des circuits à sécurité non intrinsèque ou si les caractéristiques électriques n'ont pas été observées, la sécurité de l'appareil n'est plus garantie pour une utilisation en zone à risque d'explosion. Il y a un risque d'explosion.


- Ne raccordez l'appareil présentant le type de protection "sécurité intrinsèque" qu'à un circuit à sécurité intrinsèque.
- Respectez les spécifications concernant les données électriques du certificat et/ou du chapitre Caractéristiques techniques (Page 100).

3 Installation/Montage

3.1 Consignes de sécurité de base


 PRUDENCE
Surfaces chaudes dues aux milieux chauds utilisés dans le procédé Risque de brûlures résultant de températures de surface supérieures à 70 °C (155 °F). <ul style="list-style-type: none">• Prenez des mesures adaptées, permettant par exemple de se protéger de tout contact.• Veillez à ce que ces mesures de protection n'entraînent pas le dépassement de la température ambiante maximale autorisée. Référez-vous aux informations du chapitre Caractéristiques techniques (Page 100).


 ATTENTION
Dépassement de la température ambiante maximale ou de celle des milieux du procédé Danger d'explosion dans des zones à risque d'explosion. Dommages causés à l'appareil. <ul style="list-style-type: none">• Veillez à ce que les températures maximales de l'appareil (température ambiante et température des milieux du procédé) ne soient pas dépassées. Référez-vous aux informations du chapitre Caractéristiques techniques (Page 100).

 ATTENTION
Entrée de goulotte ouverte ou presse-étoupe incorrect Danger d'explosion dans des zones à risque d'explosion. <ul style="list-style-type: none">• Fermez les goulottes d'entrée destinées aux raccordements électriques. Utilisez uniquement des presse-étoupes ou des connecteurs homologués pour le type de protection pertinent.

3.1.1 Conditions requises pour le lieu d'installation

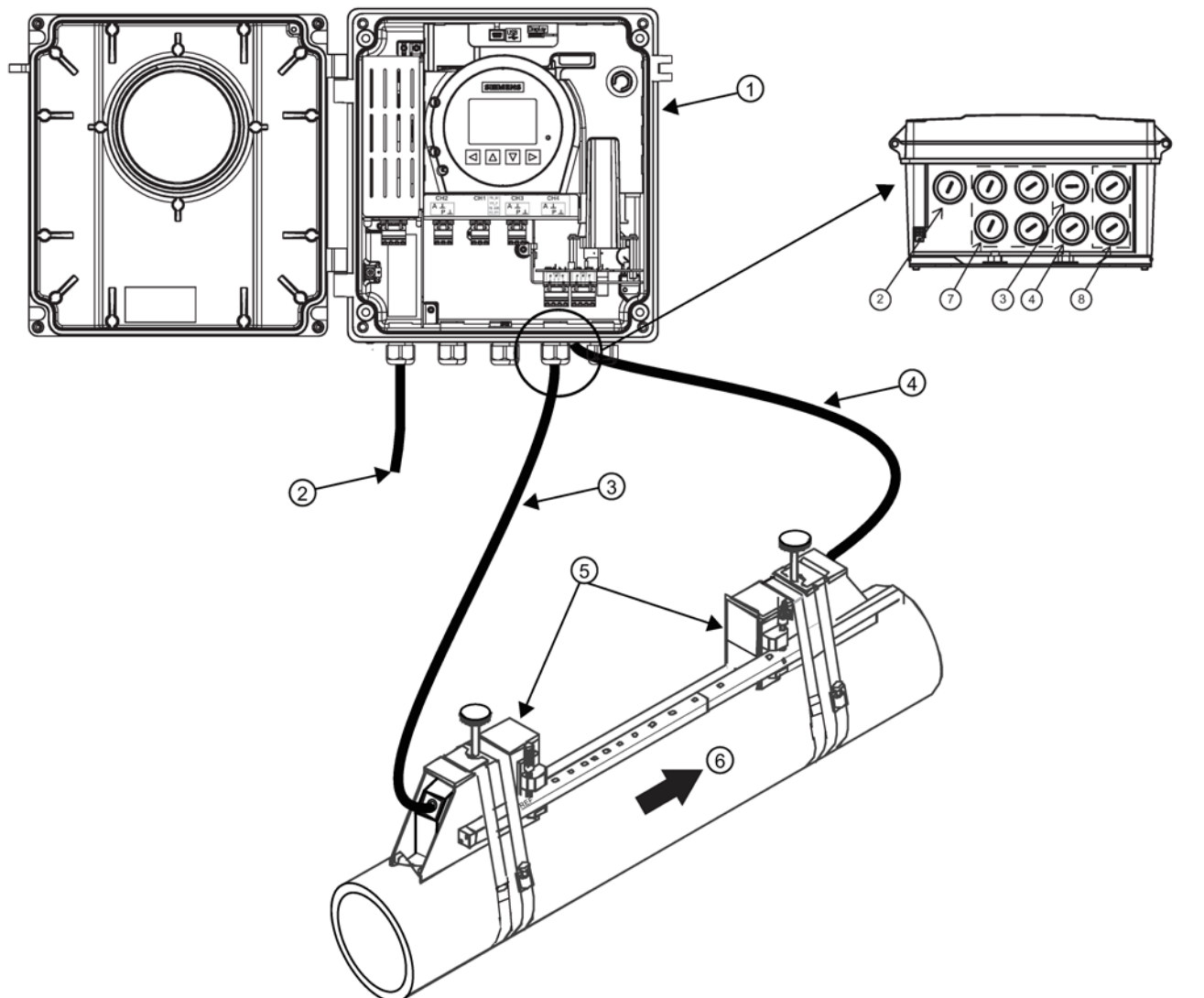
IMPORTANT
Fortes vibrations Dommages causés à l'appareil. <ul style="list-style-type: none">• Dans les usines soumises à de fortes vibrations, monter le transmetteur dans un environnement soumis à de faibles vibrations.

 PRUDENCE
Atmosphères agressives Appareil endommagé en raison de la pénétration de vapeurs agressives. <ul style="list-style-type: none">• Assurez-vous que l'appareil convient pour l'application.

 PRUDENCE
Lumière directe du soleil Dommages causés à l'appareil. L'appareil peut être en surchauffe ou les matériaux peuvent se fragiliser sous l'effet de l'exposition aux UV. <ul style="list-style-type: none">• Protéger l'appareil de la lumière directe du soleil.• Veillez à ce que la température ambiante maximale autorisée ne soit pas dépassée. Référez-vous aux informations du chapitre Caractéristiques techniques (Page 100).

Vue d'ensemble de la configuration standard

L'illustration ci-dessous montre une configuration standard d'un transmetteur et d'un débitmètre à capteur clamp-on.



- | | | | |
|---|---|---|---|
| ① | Transmetteur à montage mural FST030 | ⑤ | Capteurs |
| ② | Câble d'alimentation | ⑥ | Sens d'écoulement |
| ③ | En amont de la ligne de raccordement de la sonde (1A)
Chemin d'accès 1 | ⑦ | Interfaces pour entrée/sortie, Communications,
thermomètres à résistance |
| ④ | En aval de la ligne de raccordement de la sonde (1B)
Chemin d'accès 1 | ⑧ | Chemin d'accès 2 - Distance à parcourir (2A), Flux
descendant (2B). (Interfaces pour lignes de
raccordement de la sonde du chemin d'accès 2, le cas
échéant) |

Figure 3-1 Vue d'ensemble du transmetteur à montage mural (mode de montage Réflexion)

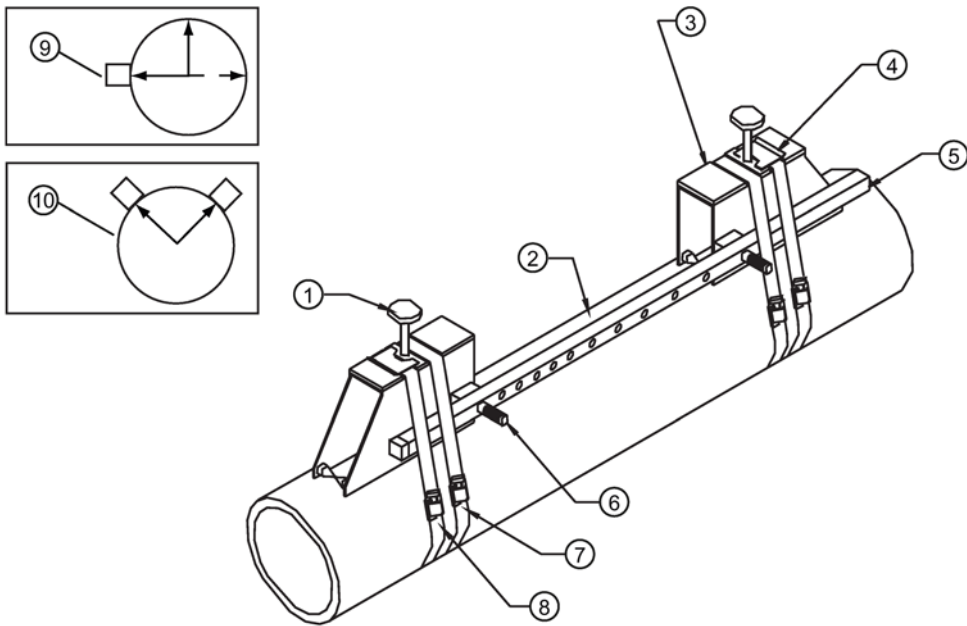
3.2 Comment raccorder les capteurs en mode de montage Réflexion ?

Montage Réflexion - Installation du capteur au moyen de châssis de montage et d'une entretoise

1. Utiliser la procédure de configuration de l'assistant pour programmer le compteur pour des paramètres d'application tels que la taille des tubes, le type de liquide et la taille du capteur. Lorsqu'ils seront saisis, le transmetteur renverra un numéro d'indice d'espacement approprié pour l'application.

2. À l'aide de la barre d'espacement fournie, définir la distance entre les capteurs selon le nombre d'indice d'espacement fourni par le transmetteur. L'indice d'espacement fournit la bonne distance d'espacement pour les capteurs en fonction de la taille du tube donnée.

Avant de continuer, référez-vous à l'exemple de schéma d'installation du montage réflexion ci-après.



- | | |
|--|--|
| ① Vis de fixation du capteur | ⑥ Broche d'entretoise et alésage de référence |
| ② Conduite du client | ⑦ Courroie de montage |
| ③ 7ME39600*** Châssis de montage | ⑧ Des courroies de montage peuvent être requises pour les conduites plus larges. |
| ④ Rondelle à ressort (n'existe pas sur certains modèles de châssis de montage) | ⑨ Orientation pour capteur à chemin unique en position 9 heures |
| ⑤ Entretoise | ⑩ Orientation pour capteur à double chemin en position 10 heures et 2 heures |

Figure 3-2 Montage Réflexion

3.3 Distribution des bornes

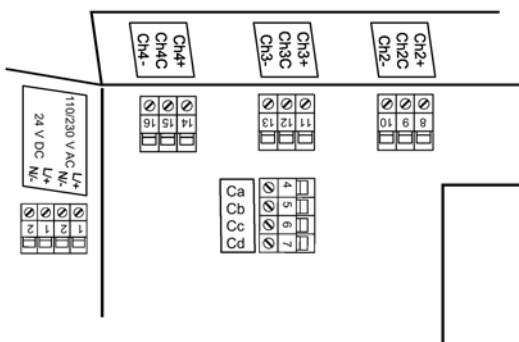


Figure 3-3 Distribution des bornes - Boîtier de fixation murale

Configuration matérielle	Configuration logicielle	Bornes															
		Alimentation			Voie 1			Voie 2			Voie 3			Voie 4			
		1	2	3	4	5	6	8	9	10	11	12	13	14	15	16	
Alimentation		L	N	⊕													
HART Voie 1	HART Sortie de courant				Active												
Sortie voie 2	Courant, fréquence, Impulsion et état					Passive		Active									
Voies 3 et 4 Entrée/sortie	Sorties : Courant, fréquence, impulsion et état Entrées : numérique et courant										Active			Active			
Voies 3 et 4 Relais	Sortie d'état										NC			NC			
											NON			NON			

Figure 3-4 Aperçu des terminaisons/de la configuration (HART)

3.4 Montage incorrect

IMPORTANT

Montage incorrect

Un montage incorrect peut endommager l'appareil, le détruire ou réduire ses fonctionnalités.

- Avant de l'installer, assurez-vous que l'appareil ne comporte aucun défaut visible.
- Montez l'appareil à l'aide d'outils adaptés. Consultez les instructions de service.



PRUDENCE

Perte de type de protection

Si le boîtier est ouvert ou n'est pas correctement fermé, l'appareil est susceptible d'être endommagé. Le type de protection spécifié sur la plaque signalétique ou dans Caractéristiques techniques (Page 100) n'est plus garanti.

- Assurez-vous que l'appareil est bien fermé.

3.5 Démontage



ATTENTION

Démontage incorrect

Les risques suivants peuvent survenir du fait d'un démontage incorrect :

- Blessure par choc électrique
- Risque lié à un contenu émergent lors du raccordement au processus
- Risque d'explosion en zone à risque d'explosion

Pour assurer un démontage correct, respectez les consignes suivantes :

- Avant toute chose, veillez à ce que les variables physiques telles que la pression, la température, l'électricité etc. soient mises hors tension ou que leur valeur ne présente aucun danger.
- Si l'appareil contient des matières présentant un risque d'explosion, il doit être purgé avant tout démontage. Assurez-vous alors qu'aucune matière dangereuse pour l'environnement ne s'échappe.
- Fixez les lignes restantes de sorte à éviter tout dommage en cas de démarrage accidentel du processus.

4 Raccordement

4.1 Consignes de sécurité de base

ATTENTION

Câbles, presse-étoupes et/ou connecteurs non adaptés

Risque d'explosion en zones à risques.

- Utilisez uniquement les presse-étoupes /connecteurs qui sont conformes aux exigences du mode de protection correspondant.
- Serrez les presse-étoupes en respectant les couples indiqués au chapitre in Transmetteur (Page 91).
- Fermez les entrées de câble destinées aux raccordements électriques.
- Lorsque vous remplacez les presse-étoupes, utilisez uniquement des presse-étoupes du même type.
- Après l'installation, vérifiez que les câbles sont bien serrés.

ATTENTION

Tension dangereuse par contact

Risque d'électrocution en cas de connexion incorrecte.

- Reportez-vous aux informations des Caractéristiques techniques (Page 100) pour les spécifications de la connexion électrique.
- Sur le lieu de montage de l'appareil, observez les directives et la législation en vigueur pour la mise en place d'installations électriques de tensions nominales inférieures à 1000 V.

IMPORTANT

Condensation à l'intérieur de l'appareil

La formation de condensation peut endommager l'appareil si la différence de température entre le transport ou le lieu de stockage et le site de montage est supérieure à 20 °C (36 °F).

- Avant de mettre en service l'appareil, laissez-le s'adapter à son nouvel environnement pendant quelques heures.

ATTENTION

Raccordement PE/à la terre manquant

Risque d'électrocution.

En fonction de la version de l'appareil, raccordez à l'alimentation comme suit :

- **Fiche secteur** : Assurez-vous que la prise de courant utilisée possède un raccordement au conducteur PE/de terre. Vérifiez que le raccordement au conducteur PE/de terre de la prise de courant et de la fiche secteur correspondent l'un à l'autre.
- **Raccordement des bornes** : Raccordez les bornes conformément au schéma de branchement. Raccordez d'abord le conducteur PE/de terre.

IMPORTANT

Température ambiante trop élevée

Endommagement de la gaine du câble.

- Pour une température ambiante ≥ 60 °C (140 °F), n'utilisez que des câbles résistants à la chaleur adaptés à une température ambiante d'au moins 20 °C (36 °F) plus élevée.

ATTENTION

Alimentation incorrecte

Risque d'explosion dans les zones à risque résultant d'une alimentation incorrecte, utilisant par exemple du courant continu au lieu d'utiliser du courant alternatif.

- Connectez l'appareil en respectant l'alimentation et les circuits de signaux spécifiés. Les spécifications pertinentes peuvent être consultées dans les certificats, au chapitre Caractéristiques techniques (Page 100) ou sur la plaque signalétique.

 **ATTENTION**

Liaison équipotentielle manquante

Risque d'explosion dû aux courants compensateurs ou aux courants d'allumage en raison d'une liaison équipotentielle manquante.

- Assurez-vous que l'appareil présente une équipotentialité complète.

Exception : pour les appareils dotés du type de protection "Sécurité intrinsèque Ex i", ne pas connecter la liaison équipotentielle peut être admis.

 **ATTENTION**

Terminaisons de câbles non protégées

Risque d'explosion dû à des extrémités de câble non protégées dans des zones à risque.

- Protégez les extrémités des câbles non utilisées conformément à la norme CEI/EN 60079-14.

 **ATTENTION**

Pose de câbles blindés incorrecte

Risque d'explosion à travers les courants de compensation entre les zones à risques et les zones sans risques.

- Les câbles blindés qui pénètrent dans les zones à risques doivent être mis à la terre uniquement à une extrémité.
- Si la mise à la terre est requise pour les deux extrémités, utilisez un conducteur d'égalisation de potentiel.

 **ATTENTION**

Isolation insuffisante des circuits à sécurité intrinsèque et non intrinsèque

Risque d'explosion en zones à risques.

- Lors de la connexion de circuits à sécurité intrinsèque et à sécurité non intrinsèque, assurez-vous que l'isolation est effectuée correctement conformément à la réglementation locale, par exemple IEC 60079-14.
- Assurez-vous que vous respectez les homologations de l'appareil en vigueur dans votre pays.

 **ATTENTION**

Raccorder l'appareil sous tension

Risque d'explosion en zones à risques.

- Dans les zones à risques, ne raccordez l'appareil que lorsqu'il est hors tension.

Exceptions :

- Les appareils qui possèdent le mode de protection "Sécurité intrinsèque Ex i" peuvent également être raccordés sous tension dans les zones à risques.
- Les exceptions pour le mode de protection "Sans étincelles nA" (zone 2) sont réglementées par le certificat correspondant.

Remarque

Compatibilité électromagnétique (CEM)

Vous pouvez utiliser cet appareil en environnement industriel, pour un usage domestique et dans les petites entreprises.

Les boîtiers métalliques présentent une compatibilité électromagnétique augmentée par rapport à la radiation haute fréquence. Cette protection peut être améliorée par la mise à la terre du boîtier, voir le chapitre Caractéristiques techniques (Page 100).

Remarque

Amélioration de l'immunité aux perturbations

- Disposez les câbles de signaux séparément des câbles de tension > 60 V.
 - Utilisez des câbles dotés de fils torsadés.
 - Eloignez l'appareil et les câbles des champs électromagnétiques forts.
 - Utilisez des câbles blindés pour garantir l'entière spécification selon HART.
 - Connectez une résistance de charge d'au moins 230 Ω en série dans la boucle du signal afin de garantir une communication HART sans erreur. Si l'on utilise des interrupteurs-séparateurs d'alimentation pour transmetteurs SISTRANS HART, une résistance de charge est déjà installée dans l'appareil.
-

4.2 Transmetteur

Préparations pour le raccordement

1. Desserrez les quatre vis du couvercle.
2. Ouvrez le couvercle.
3. Retirez l'outil connecteur F du boîtier de fixation murale.

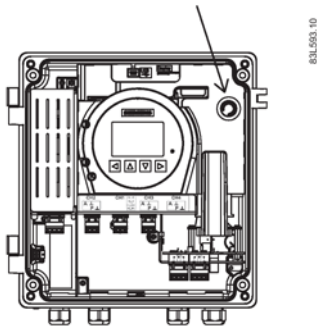
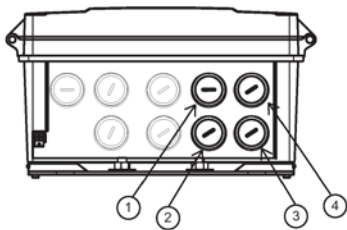


Figure 4-1 Emplacement de l'outil connecteur F

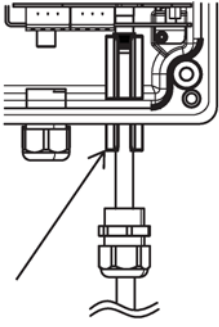
Raccordement des câbles de liaison du capteur de débit

Lors du raccordement des capteurs, les câbles de capteur doivent être correctement raccordés afin que le système fonctionne correctement. Les deux câbles de capteur pour chaque chemin doivent être reliés aux mêmes numéros de port (1A et 1B ou 2A et 2B) sur le transmetteur.



Les câbles de capteur sont fournis avec un connecteur F pré-monté à l'extrémité du transmetteur.

1. Retirez le bouchon borgne du boîtier de fixation murale.
2. Glissez à nouveau le presse-étoupe sur le câble et permettez l'accès pour l'outil connecteur F.
3. Placez l'outil connecteur F autour du câble et faites glisser vers le haut pour encliqueter l'écrou du connecteur F.
4. Faites passer les câbles par l'ouverture du presse-étoupe. Assurez-vous que le câble est aligné avec le port du connecteur dans le transmetteur.
5. Serrez le connecteur F avec l'outil jusqu'à ce que vous atteigniez la butée mécanique.



6. Retirez l'outil connecteur F.
 7. Montez et serrez le presse-étoupe.
- Répétez ces étapes pour chaque câble de capteur.

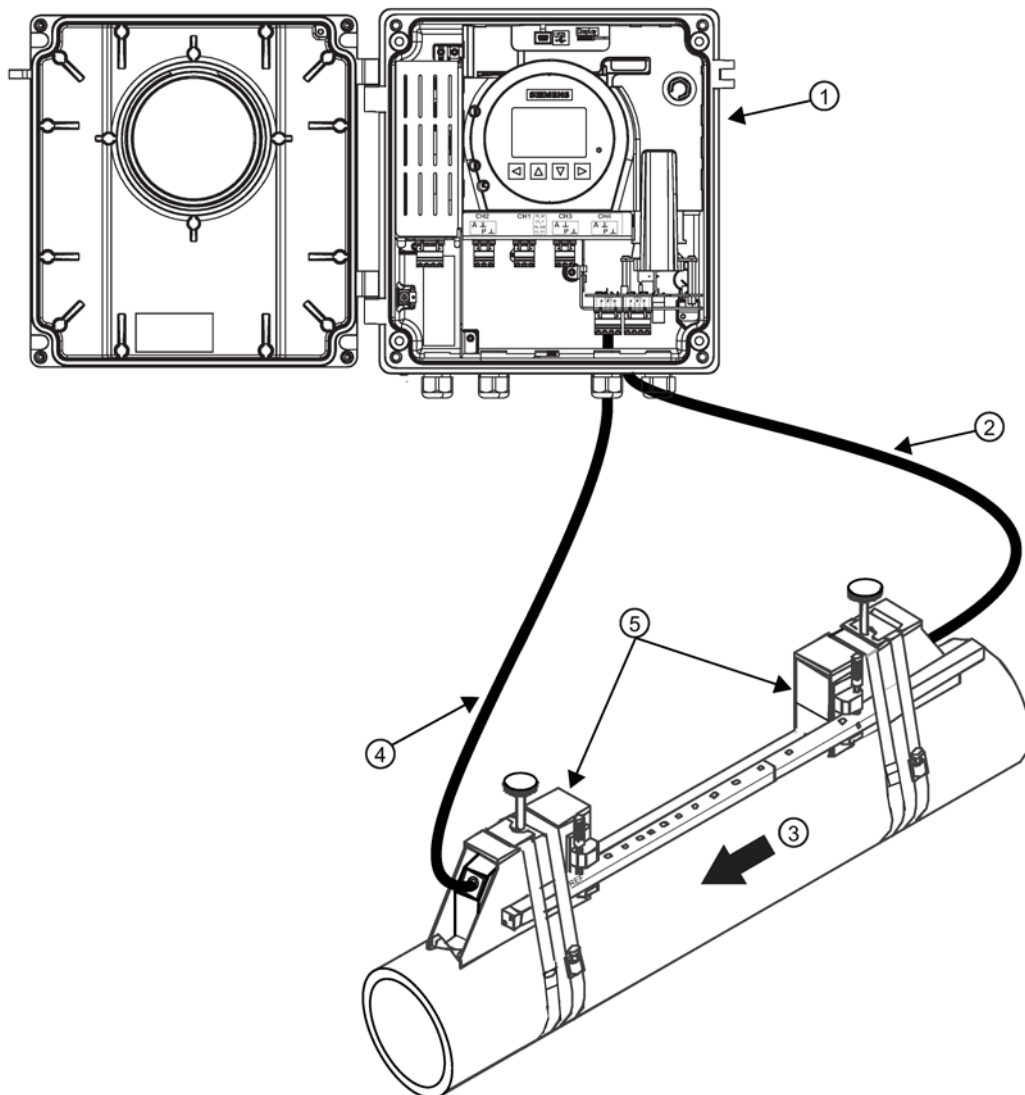
4.3 Fixation murale

Remarque

L'exemple suivant est indiqué dans la configuration de capteur en mode de montage Réflexion.

Raccordez les câbles de capteur au transmetteur à montage mural comme suit :

1. Remplissez l'extrémité du connecteur avec du lubrifiant Super Lube avant de procéder au raccordement.
2. Appliquez du lubrifiant Super Lube dans les filetages intérieurs sur l'extrémité la plus large du connecteur fileté.
3. Reliez le câble de capteur en amont (②) au port du transmetteur (1A) en respectant l'orientation en amont et en aval (③) et serrez les raccords.
4. Reliez le câble de capteur en aval (④) au port du transmetteur (1B) et serrez les raccords.



- | | |
|---|--|
| ① Transmetteur à montage mural | ④ Câble de capteur en aval (1B) Chemin d'accès 1 |
| ② Câble de capteur en amont (1A) Chemin d'accès 1 | ⑤ Capteurs |
| ③ Sens d'écoulement | |

Figure 4-2 Boîtier de fixation murale avec des raccordements par câble du transmetteur au capteur

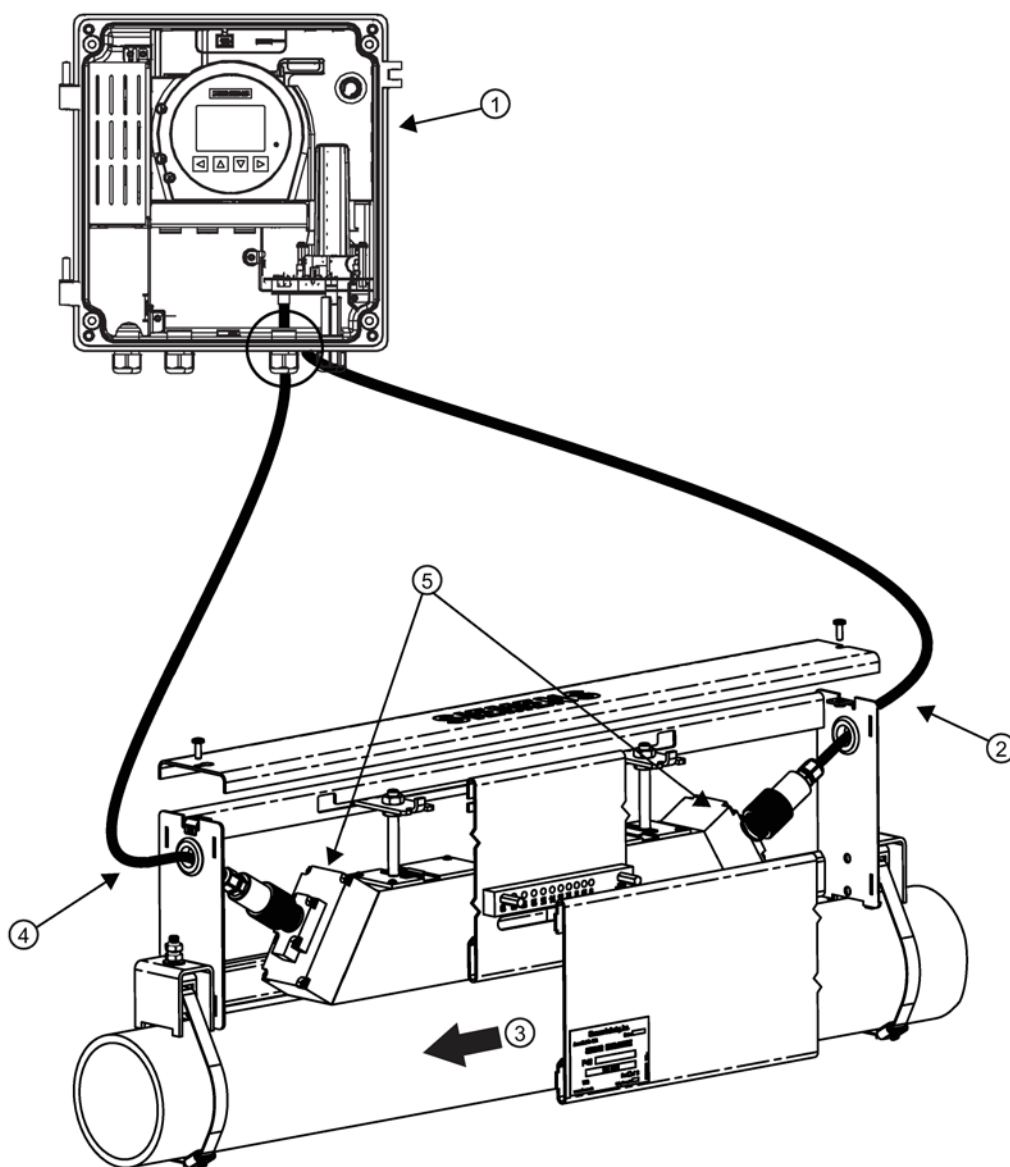
5. Serrez tous les presse-étoupes des câbles pour une étanchéité optimale.
6. Référez-vous aux Instructions de service du transmetteur FST030 pour programmer le transmetteur.

4.4 Montage haute précision

Câblage du coffret individuel avec un montage en mode Réflexion

Raccordez les câbles de capteur au transmetteur comme suit :

1. Remplissez l'extrémité du connecteur avec du lubrifiant Super Lube avant de procéder au raccordement.
2. Appliquez du lubrifiant Super Lube dans les filetages intérieurs sur l'extrémité la plus large du connecteur fileté.
3. Reliez le câble de capteur en amont ② au port du transmetteur (1A) en respectant l'orientation en amont et en aval ③ et serrez les raccords.
4. Reliez le câble de capteur en aval ④ au port du transmetteur (1B) et serrez les raccords.



- | | |
|--|---|
| ① Transmetteur à montage mural | ③ Sens d'écoulement |
| ② Câble de capteur en amont vers le port DSL interne (1A) Chemin d'accès 1 | ④ Câble de capteur en aval vers le port du transmetteur (1B) Chemin d'accès 1 |
| | ⑤ Capteurs montés avec une haute précision |

Figure 4-3 Câblage du coffret individuel avec un montage haute précision en mode Réflexion

5. Serrez tous les presse-étoupes des câbles pour une étanchéité optimale.

Câblage du coffret double avec un montage en mode Réflexion

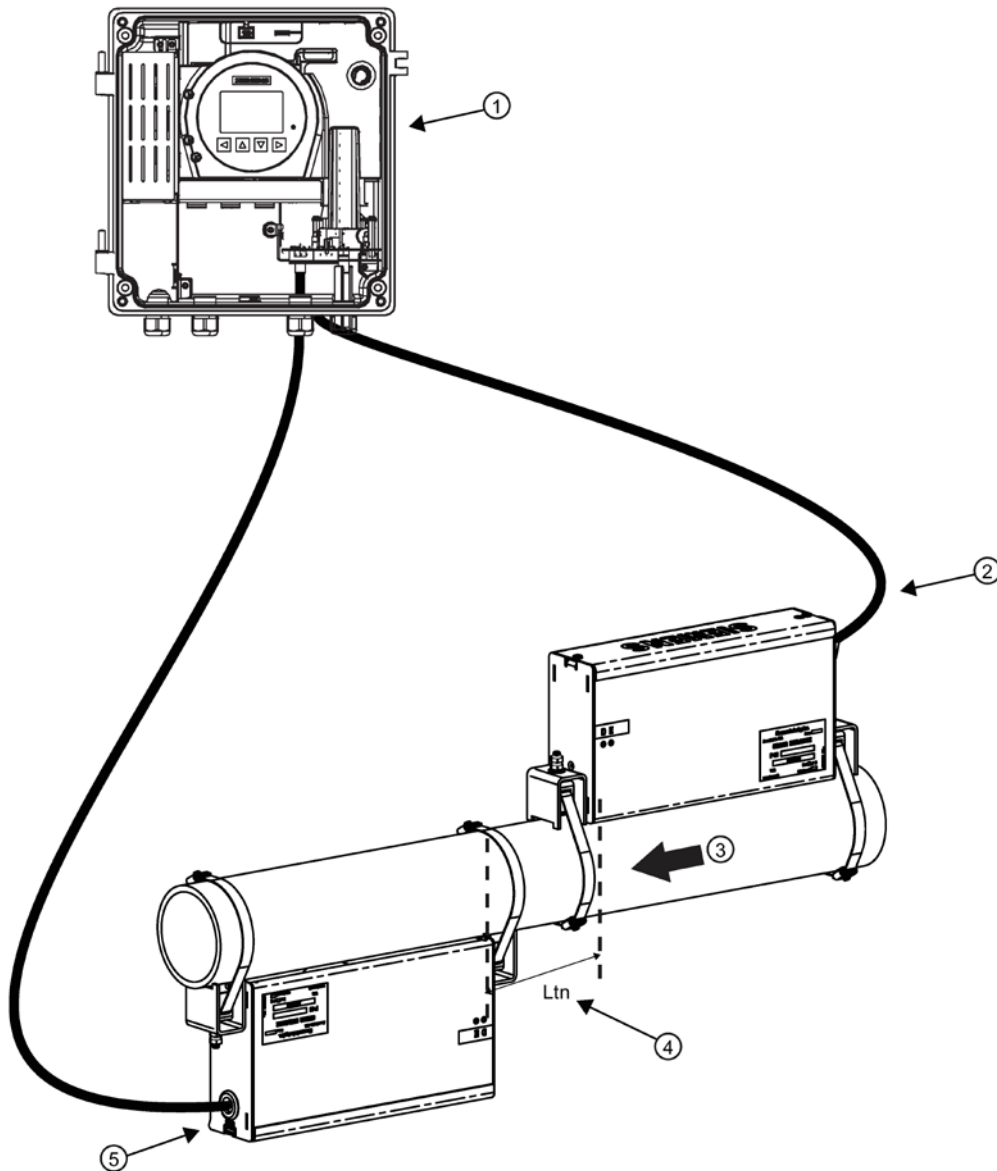
En vous basant sur la figure ci-dessus (Câblage du coffret individuel avec un montage haute précision en mode Réflexion), reliez comme suit les câbles de capteur du coffret double avec un montage haute précision en mode Réflexion aux ports du transmetteur :

1. Reliez les câbles de capteur aux ports du transmetteur en respectant l'orientation en amont et en aval ③.
2. Serrez tous les presse-étoupes des câbles pour une étanchéité optimale.
3. Référez-vous aux Instructions de service du transmetteur FST030 pour programmer le transmetteur.

Câblage du coffret double avec un montage en mode Direct

Raccordez les câbles de capteur aux ports DSL et du transmetteur comme suit :

1. Remplissez l'extrémité du connecteur avec du lubrifiant Super Lube avant de procéder au raccordement.
2. Appliquez du lubrifiant Super Lube dans les filetages intérieurs sur l'extrémité la plus large du connecteur fileté.
3. Reliez le câble de capteur en amont ② au port du transmetteur (1A) en respectant l'orientation en amont et en aval ③ et serrez les raccords.
4. Reliez le câble de capteur en aval ⑤ au port du transmetteur (1B) et serrez les raccords.



① Transmetteur à montage mural

③ Sens d'écoulement

- ② Câble de capteur en amont vers le port du transmetteur (1A) Chemin d'accès 1
- ④ Ltn (distance d'espacement entre les capteurs)
- ⑤ Câble de capteur en aval vers le port du transmetteur (1B) Chemin d'accès 1

Figure 4-4 Câblage du coffret double avec un montage haute précision en mode Direct

5. Serrez tous les presse-étoupes des câbles pour une étanchéité optimale.
6. Référez-vous aux Instructions de service du transmetteur FST030 pour programmer le transmetteur.

5 Mise en service

5.1 Consignes de sécurité de base

5.1.1 Gaz et liquides toxiques

DANGER

Gaz et liquides toxiques

Risque d'empoisonnement durant l'aération de l'appareil. Si des milieux de procédé toxiques sont mesurés, des gaz et des liquides toxiques peuvent s'échapper.

- Avant de l'aérer, assurez-vous qu'aucun gaz ou liquide toxique ne se situe dans l'appareil, ou prenez les mesures de sécurité nécessaires.

ATTENTION

Mise en service et exploitation en présence d'un message d'erreur

Si un message d'erreur apparaît, une opération correcte durant le procédé n'est plus garantie.

- Contrôlez la gravité de l'erreur.
- Corrigez l'erreur.
- Si l'erreur persiste :
 - Mettez l'appareil hors service.
 - Empêchez une nouvelle mise en service.

5.1.2 Mise en service incorrecte dans les zones à risque

ATTENTION

Mise en service incorrecte dans les zones à risque

Défaillance de l'appareil ou risque d'explosion en zones à risques.

- Ne mettez pas l'appareil en service une fois qu'il a été monté complètement et raccordé conformément aux informations du chapitre Caractéristiques techniques (Page 100).
- Avant la mise en service, tenez compte des effets sur les autres appareils du système.

5.1.3 Ouverture de l'appareil sous tension

PRUDENCE

Perte de type de protection

Si le boîtier est ouvert ou n'est pas correctement fermé, l'appareil est susceptible d'être endommagé. Le type de protection spécifié sur la plaque signalétique ou dans Caractéristiques techniques (Page 100) n'est plus garanti.

- Assurez-vous que l'appareil est bien fermé.

ATTENTION

Tension dangereuse par contact

Risque de blessure dû à une tension dangereuse par contact lorsque l'appareil est ouvert ou n'est pas complètement fermé.

L'indice de protection spécifié sur la plaque signalétique ou dans les Caractéristiques techniques (Page 100) n'est plus garanti si l'appareil est ouvert ou n'est pas correctement fermé.

- Assurez-vous que l'appareil est bien fermé.

5.1.4 Risque d'explosion des produits mesurés dont la température est supérieure à 100°C et qui traversent le capuchon de pression

ATTENTION

Risque d'explosion des produits mesurés dont la température est supérieure à 100°C et qui traversent le capuchon de pression

La protection anti-explosion n'est plus garantie et l'homologation n'est plus valable.

Un produit mesuré dont la température est supérieure à 100°C ne doit pas traverser le capuchon de pression en service.

ATTENTION

Réduction de la protection contre l'explosion

Risque d'explosion dans des zones à risque si l'appareil est ouvert ou n'est pas correctement fermé.

- Fermez l'appareil en suivant la description des Raccordement (Page 88).

5.1.5 Surfaces chaudes

ATTENTION

Surfaces chaudes

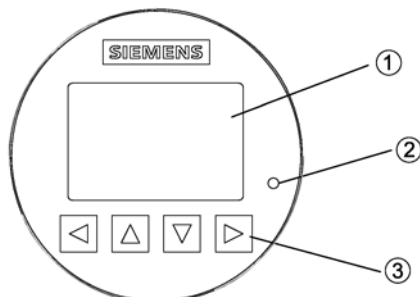
Risque de brûlure en raison de surfaces chaudes.

- Prenez les mesures de protection correspondantes, par exemple en portant des gants de protection.

5.2 Affichage local

L'appareil est mis en marche/commandé par le biais du pavé numérique situé sur l'affichage local.

Ces éléments sont activés sur simple pression du pupitre en verre sur la touche appropriée. Appuyer plus fort n'activera pas la touche, mais il peut être plus efficace d'utiliser le pouce plutôt que l'extrémité d'un doigt. L'afficheur situé au-dessus des touches guide l'utilisateur, à travers un menu, pour l'utilisation des différentes fonctions/paramètres de l'appareil. La commande réussie de la touche est confirmée via une petite LED verte qui s'allume à la droite de l'écran.



- ① Affichage entièrement graphique
- ② LED (pour indiquer l'utilisation de la touche)
- ③ Pavé tactile

Figure 5-1 Affichage local

Remarque

(Re)calibrage du pavé numérique

Si le couvercle est fermé, toutes les touches sont (re)calibrées (env. 5 secondes). Au cours du (re)calibrage, la LED s'allume et les touches ne peuvent pas être utilisées.

Si l'une des touches est pressée pendant plus de 10 secondes, celle-ci est (re)calibrée (durée inférieure à 10 secondes). Relâchez la touche pour l'utiliser à nouveau.

Remarque

Dépassement du temps IHM

Si vous ne pressez sur aucune touche pendant au moins 10 minutes, l'écran commute pour afficher la vue opérationnelle. Si le mode du rétro-éclairage est défini comme Automatique, le rétroéclairage de l'affichage se désactive automatiquement 30 secondes après la dernière pression de touche.

Remarque

Il n'est pas nécessaire d'ouvrir l'appareil pendant l'utilisation. Le degré de protection élevé de IP67 et la sécurité dans les zones dangereuses sont ainsi garantis en permanence.

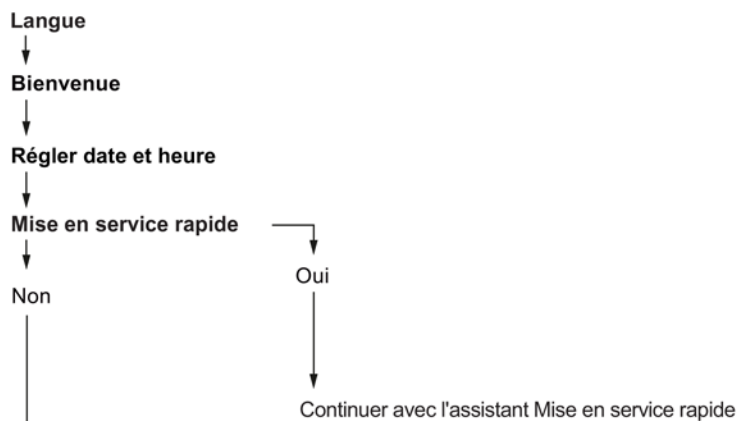
5.3 Premier démarrage

À la première mise sous tension de l'appareil, il vous est demandé de définir la langue. L'appareil commence toujours par afficher Language en anglais. Une fois la langue définie, vous devrez régler la date et l'heure.

Avant d'utiliser le débitmètre pour la première fois, il faut prendre en compte les paramètres essentiels. Une fois la date et l'heure confirmées/modifiées, vous pouvez choisir d'accepter les valeurs par défaut ou de lancer l'assistant Mise en service rapide.

Sera demandé si vous voulez lancer l'assistant Mise en service rapide. Si vous répondez Oui (recommandé), l'Assistant Mise en service rapide démarrera. En répondant Non, vous acceptez les valeurs par défaut de l'appareil et la vue IHM suivante sera la vue opérationnelle 1.

Départ



Le premier assistant de démarrage est maintenant terminé

Texte

Langue
Bienvenue

Options/Description

Définissez la langue : English, Deutsch, Français, Italiano, Español, 汉语
Informations sur l'Assistant Mise en service rapide

Régler date et heure

La date et l'heure définies (horloge temps réel) sont utilisées pour tous les horodatages des informations consignées.

Mise en service rapide

L'Assistant Mise en service rapide comprend les menus/paramètres les plus importants pour une configuration rapide du débitmètre.

6 Caractéristiques techniques

6.1 Alimentation électrique

Tableau 6-1 Alimentation

Description	Caractéristique
Tension d'alimentation	<ul style="list-style-type: none"> 100 à 240 V CA +10/-10 %, 47 à 63 Hz 20 à 27 V CC +10/-10 %
Consommation	15 VA/7,5 W
Variation	<ul style="list-style-type: none"> Surtensions transitoires jusqu'aux niveaux de surtension de catégorie II Surtensions temporaires survenant sur l'alimentation secteur uniquement
Protection contre l'inversion de polarité (o / n)	O
Séparation galvanique	3000 V CA

6.2 Interface HART

Tableau 6-2 Communication HART

Description	Caractéristique
Révision HART	7,5
Gestionnaires d'appareils pris en charge	SIMATIC PDM V8.2 SP1 ou une version plus récente
EDD (Electronic Device Description) pris en charge	V1.00.00

6.3 Conditions de fonctionnement

Tableau 6-3 Conditions de base

Description		Caractéristique
Température ambiante (humidité max. 90 %)	Fonctionnement : Transmetteur sans affichage Affichage	-40 à +60 °C (-40 à +140 °F) -20 à +60 °C (-4 à +140 °F)
Température ambiante (humidité max. 90 %)	Stockage :	-40 à +70 °C (-40 à +158 °F)
Classe climatique		DIN 60721-3-4
Hauteur		Max. 2 000 m (6560 pieds)
Humidité relative		95 %
Résistance aux chocs		Sur demande
Résistance aux chocs		Sur demande
Choc thermique		Sur demande
Résistance aux vibrations		Sur demande
Performances CEM	<ul style="list-style-type: none"> Emission Immunité 	<ul style="list-style-type: none"> EN 55011 / CISPR-11 EN/CEI 61326-1 (Industrie) NAMUR NE 21

Tableau 6-4 Conditions du fluide de process

Description	Caractéristique
Température du fluide de process (Ts) (min à max)	-50 à +200 °C (-58 à +492 °F)
Densité du fluide de process (Ts) (min à max)	1 à 5000 kg/m ³ (0,06 à 312 lb/ft ³)
Pression relative du fluide de process (min à max)	0 à 160 bar (0 à 2321 psi)
Pression absolue du fluide de process (min à max)	Acier inoxydable : 1 à 101 bar (14,5 à 1 465 psi) Hastelloy : 1 à 161 bar (14,5 à 2 335 psi)
Viscosité du fluide de process	Gaz et liquides non compressibles

7 Entretien et maintenance

7.1 Consignes de sécurité de base

Remarque

L'appareil ne fait l'objet d'aucune maintenance.

7.1.1 Maintenance

L'appareil ne fait l'objet d'aucune maintenance. Cependant, il convient de mener une inspection périodique conformément aux directives et aux réglementations pertinentes.

Toute inspection inclut la vérification des :

- Conditions ambiantes
- L'intégrité des joints des raccords process, des entrées de câbles et des vis de recouvrement
- Fiabilité de l'alimentation, de la protection contre la foudre, et des mises à la terre

IMPORTANT

Seul le personnel Siemens est autorisé à effectuer des réparations et des opérations de maintenance.

Remarque

Siemens définit des capteurs de débit comme des produits non réparables.

ATTENTION

Réparation et maintenance non autorisées de l'appareil

- Seul le personnel technique Siemens Flow Instruments est autorisé à intervenir sur l'appareil pour la réparation et la maintenance.

ATTENTION

Couches de poussière de plus de 5 mm

Risque d'explosion en zones à risques.

L'appareil peut se trouver en surchauffe en raison de l'accumulation de poussière.

- Retirez toutes les couches de poussières de plus de 5 mm.

IMPORTANT

Pénétration de l'humidité à l'intérieur du boîtier

Dommages causés à l'appareil.

- Veillez à ce que l'humidité ne pénètre pas à l'intérieur de l'appareil lors des travaux de nettoyage et de maintenance.

PRUDENCE

Annuler le verrouillage des boutons

Une modification incorrecte des paramètres peut avoir une répercussion sur la sécurité du procédé.

- Veillez à ce que seul le personnel autorisé puisse annuler le verrouillage des boutons sur les appareils utilisés dans des applications de sécurité.

7.2 Nettoyage

Nettoyage du boîtier

- Nettoyez l'extérieur du boîtier avec les inscriptions et la fenêtre d'affichage en utilisant un chiffon imbibé d'eau ou un détergent doux.
- N'utilisez aucun agent de nettoyage agressif, par exemple l'acétone. Cela pourrait endommager les composants en plastique ou les surfaces peintes. Les inscriptions pourraient être illisibles.

ATTENTION

Charge électrostatique

Il existe un risque d'explosion dans les zones à risques si une charge électrostatique se développe, par exemple en nettoyant des surfaces plastiques avec un chiffon sec.

- Empêcher la formation de charges électrostatiques dans les zones à risque d'explosion.

7.3 Travaux de maintenance et de réparation

ATTENTION

Maintenance durant l'exploitation continue en zone à risque d'explosion

Il existe un risque d'explosion lorsque des travaux de réparation ou de maintenance sont effectués sur l'appareil en zone à risque d'explosion.

- Isolez l'appareil de l'alimentation électrique.
- ou -
- Assurez-vous que l'atmosphère n'est pas explosive (permis de feu).

ATTENTION

Accessoires et pièces de rechange non autorisés

Risque d'explosion dans les zones explosives.

- Utilisez uniquement les accessoires et pièces de rechange d'origine.
- Observez toutes les instructions d'installation et de sécurité pertinentes décrites dans les instructions de l'appareil ou fournies avec l'accessoire ou la pièce de rechange.

ATTENTION

Environnement humide

Risque d'électrocution.

- Evitez d'intervenir sur l'appareil lorsqu'il est sous tension.
- Si une intervention sur un appareil sous tension est nécessaire, assurez-vous que l'environnement est sec.
- Veillez à ce que l'humidité ne pénètre pas à l'intérieur de l'appareil lors des travaux de nettoyage et de maintenance.

PRUDENCE

Surfaces chaudes

Risque de brûlure pendant des travaux de maintenance effectués sur des pièces dont la température de surface dépasse 70 °C (158 °F).

- Prenez les mesures de protection correspondantes, par exemple en portant des gants de protection.
- Après avoir effectué la maintenance, remontez les dispositifs de protection contre les contacts.

ATTENTION

Boîtier ouvert

Risque d'explosion dans les zones à risque d'explosion dû à des composants chauds et/ou à des condensateurs chargés à l'intérieur de l'appareil.

Pour ouvrir l'appareil dans une zone à risque d'explosion :

1. Isolez l'appareil de l'alimentation.
2. Respectez le temps d'attente indiqué dans les Caractéristiques techniques (Page 100) ou sur le panneau d'avertissement avant d'ouvrir l'appareil.
3. Inspectez visuellement l'entrée et la sortie du capteur.

Exception : Les appareils ayant exclusivement le type de protection "sécurité intrinsèque EX i" peuvent être ouverts à l'état sous tension dans des zones à risque d'explosion.

ATTENTION

Raccordement incorrect après la maintenance

Risque d'explosion dans les zones explosives.

- Raccordez l'appareil correctement après la maintenance terminée.
- Fermez l'appareil une fois les travaux de maintenance effectués.

Reportez-vous à Raccordement (Page 88).

7.4 Procédure de retour

Placez le bon de livraison, le bordereau d'expédition de retour de marchandise et la déclaration de décontamination dans une pochette en plastique transparent bien fixée à l'extérieur de l'emballage.

Formulaires requis

- Bon de livraison
- Bordereau d'expédition de retour de marchandise (<http://www.siemens.com/processinstrumentation/returngoodsnote>) avec les informations suivantes :
 - Produit (description de l'article)
 - Nombre d'appareils/de pièces de rechange renvoyés
 - Raison du retour de l'article ou des articles

- Déclaration de décontamination (<http://www.siemens.com/sc/declarationofdecontamination>)

Par cette déclaration, vous garantissez "que l'appareil/la pièce de rechange a été soigneusement nettoyé(e) et est exempt de résidus. L'appareil/la pièce de rechange ne présente pas de risque pour les êtres humains et l'environnement."

Si l'appareil/la pièce de rechange est entré(e) en contact avec des substances toxiques, corrosives, inflammables ou polluant l'eau, vous devez nettoyer minutieusement et décontaminer l'appareil/la pièce de rechange avant de le/la renvoyer afin de garantir que toutes les parties creuses sont dépourvues de substances dangereuses. Vérifiez l'article après le nettoyage.

Les pièces de rechange ou appareils retournés sans déclaration de décontamination seront nettoyés à vos frais avant tout traitement.

7.5 Mise au rebut



Les appareils décrits dans le présent manuel doivent être recyclés. Ils ne peuvent pas être mis au rebut auprès du service d'élimination des déchets conformément à la Directive 2012/19/CE sur les déchets d'équipements électroniques et électriques (WEEE).

Ils peuvent être retournés au fournisseur au sein de la CE ou être transmis à un service d'élimination de déchets habilité localement. Respectez la réglementation spécifique applicable dans votre pays.

De plus amples informations sur les appareils qui comportent des batteries sont disponibles sur : Informations à propos de la batterie / retour de produit (WEEE) (<https://support.industry.siemens.com/cs/document/109479891/>)

A Annexe A

Assistance technique

Si cette documentation n'apporte pas de réponse complète à toute question d'ordre technique que vous pourriez vous poser, prenez contact avec le Support technique sur :

- Demande de support (<http://www.siemens.com/automation/support-request>)
- Pour plus d'informations sur notre Support technique, cliquez sur Support technique (<http://www.siemens.com/automation/csi/service>)

Service & Support sur Internet

Outre la documentation, Siemens fournit une solution d'assistance globale sur :

- Services&Assistance (<http://www.siemens.com/automation/service&support>)

Interlocuteur personnel

Pour toute question supplémentaire sur l'appareil, veuillez contacter votre interlocuteur personnel Siemens à l'adresse :

- Partenaire (<http://www.automation.siemens.com/partner>)

Afin de trouver le contact pour votre produit, sélectionnez sous 'Tous les produits et secteurs' le chemin 'Automatisation > Systèmes de capteurs'.

Documentation

Vous pouvez consulter des documents sur différents produits et systèmes sur :

- Instructions et manuels Instructions et manuels (<http://www.siemens.com/processinstrumentation/documentation>)

A.1 Certificats

Vous pouvez trouver des certificats sur Internet sous Certificats (<http://www.siemens.com/processinstrumentation/certificates>) ou sur le DVD fourni.

Marques de fabrique

Toutes les désignations repérées par © sont des marques déposées de Siemens AG. Les autres désignations dans ce document peuvent être des marques dont l'utilisation par des tiers à leurs propres fins peut enfreindre les droits de leurs propriétaires respectifs.

Exclusion de responsabilité

Nous avons vérifié la conformité du contenu du présent document avec le matériel et le logiciel qui y sont décrits. Ne pouvant toutefois exclure toute divergence, nous ne pouvons pas nous porter garants de la conformité intégrale. Si l'usage de ce manuel devait révéler des erreurs, nous en tiendrons compte et apporterons les corrections nécessaires dès la prochaine édition.

Siemens AG
Division Process Industries and Drives
Postfach 48 48
90026 NÜRNBERG
ALLEMAGNE

SITRANS FS230
A5E38755607, 02/2017

SIEMENS

SITRANS F

Misuratori di portata a ultrasuoni

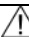
SITRANS FS230

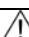
Istruzioni operative sintetiche

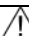
Avvertenze di legge

Concetto di segnaletica di avvertimento

Questo manuale contiene delle norme di sicurezza che devono essere rispettate per salvaguardare l'incolumità personale e per evitare danni materiali. Le indicazioni da rispettare per garantire la sicurezza personale sono evidenziate da un simbolo a forma di triangolo mentre quelle per evitare danni materiali non sono precedute dal triangolo. Gli avvisi di pericolo sono rappresentati come segue e segnalano in ordine decrescente i diversi livelli di rischio.

 PERICOLO
questo simbolo indica che la mancata osservanza delle opportune misure di sicurezza provoca la morte o gravi lesioni fisiche.

 AVVERTENZA
il simbolo indica che la mancata osservanza delle relative misure di sicurezza può causare la morte o gravi lesioni fisiche.

 CAUTELE
indica che la mancata osservanza delle relative misure di sicurezza può causare lesioni fisiche non gravi.

ATTENZIONE
indica che la mancata osservanza delle relative misure di sicurezza può causare danni materiali.

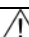
Nel caso in cui ci siano più livelli di rischio l'avviso di pericolo segnala sempre quello più elevato. Se in un avviso di pericolo si richiama l'attenzione con il triangolo sul rischio di lesioni alle persone, può anche essere contemporaneamente segnalato il rischio di possibili danni materiali.

Personale qualificato

Il prodotto/sistema oggetto di questa documentazione può essere adoperato solo da **personale qualificato** per il rispettivo compito assegnato nel rispetto della documentazione relativa al compito, specialmente delle avvertenze di sicurezza e delle precauzioni in essa contenute. Il personale qualificato, in virtù della sua formazione ed esperienza, è in grado di riconoscere i rischi legati all'impiego di questi prodotti/sistemi e di evitare possibili pericoli.

Uso conforme alle prescrizioni di prodotti Siemens

Si prega di tener presente quanto segue:

 AVVERTENZA
I prodotti Siemens devono essere utilizzati solo per i casi d'impiego previsti nel catalogo e nella rispettiva documentazione tecnica. Qualora vengano impiegati prodotti o componenti di terzi, questi devono essere consigliati oppure approvati da Siemens. Il funzionamento corretto e sicuro dei prodotti presuppone un trasporto, un magazzinaggio, un'installazione, un montaggio, una messa in servizio, un utilizzo e una manutenzione appropriati e a regola d'arte. Devono essere rispettate le condizioni ambientali consentite. Devono essere osservate le avvertenze contenute nella rispettiva documentazione.

1 Introduzione

1.1 Scopo della documentazione

Questo documento contiene tutte le principali informazioni sulla salute e la sicurezza necessarie per un uso sicuro del dispositivo.

Prima di procedere all'installazione e alla messa in servizio del dispositivo, occorre leggere attentamente le istruzioni operative sul supporto dati elettronico.

1.2 Cronologia delle revisioni

La seguente tabella riporta le modifiche principali apportate alla documentazione rispetto all'edizione precedente.

Edizione	Note	Versione FW	Versione HW	Versione EDD	Revisione del dispositivo HART
02/2017	<ul style="list-style-type: none">Prima edizione	1.00.00	01	<ul style="list-style-type: none">Driver SIMATIC PDM per HART 1.00.00Driver SIMATIC PDM per Modbus 1.00.00Driver AMS per HART 1.00.00Driver FC475 per HART 1.00.00Driver DTM/FDT per HART 1.00.00	1

1.3 Uso designato

Utilizzare il dispositivo per misurare le sostanze di processo come indicato nelle informazioni riportate nelle istruzioni operative.

Nota

Utilizzo in un ambiente domestico

Questo apparecchio di classe A, gruppo 1 è destinato all'utilizzo nelle aree industriali.

In un ambiente domestico l'apparecchio potrebbe causare interferenze radio.

1.4 Controllo della fornitura

1. Verificare l'imballaggio e il suo contenuto per escludere danni visibili.
2. Informare immediatamente il corriere circa i diritti al risarcimento danni.
3. Conservare i pezzi danneggiati fino al chiarimento con la casa fornitrice.
4. Sulla base dei documenti di consegna, verificare correttezza e completezza della fornitura.

AVVERTENZA

Utilizzo di un apparecchio danneggiato o incompleto

Rischio di esplosione nelle aree pericolose.

- Non utilizzare apparecchi danneggiati o incompleti.

1.5 Avvertenze di sicurezza

Siemens commercializza prodotti e soluzioni dotati di funzioni Industrial Security che contribuiscono al funzionamento sicuro di impianti, soluzioni, macchine e reti.

La protezione di impianti, sistemi, macchine e reti da minacce cibernetiche, richiede l'implementazione e la gestione continua di un concetto globale di Industrial Security che corrisponda allo stato attuale della tecnica. I prodotti e le soluzioni Siemens costituiscono soltanto una componente imprescindibile di questo concetto.

E' responsabilità del cliente prevenire accessi non autorizzati ad impianti, sistemi, macchine e reti. Il collegamento di sistemi, macchine e componenti, se necessario, deve avvenire esclusivamente nell'ambito della rete aziendale o tramite Internet previa adozione di opportune misure (ad es. impiego di firewall e segmentazione della rete).

Attenersi inoltre alle raccomandazioni Siemens concernenti misure di sicurezza adeguate. Ulteriori informazioni su Industrial Security sono disponibili al sito:

<http://www.siemens.com/industrialsecurity>

I prodotti e le soluzioni Siemens vengono costantemente perfezionati per incrementarne la sicurezza. Siemens raccomanda espressamente di eseguire gli aggiornamenti non appena sono disponibili i relativi update e di impiegare sempre le versioni aggiornate dei prodotti. L'uso di prodotti non più attuali o di versioni non più supportate incrementa il rischio di attacchi cibernetiche.

Per essere costantemente aggiornati sugli update dei prodotti, abbonarsi a Siemens Industrial Security RSS Feed al sito:

<http://www.siemens.com/industrialsecurity>

1.6 Trasporto e immagazzinaggio

Per garantire una protezione sufficiente durante il trasporto e l'immagazzinaggio osservare quanto segue:

- Conservare l'imballaggio originale per un eventuale trasporto successivo.
- Il dispositivo/i pezzi di ricambio devono essere restituiti nel loro imballaggio originale.
- Se l'imballaggio originale non è più disponibile, assicurarsi che tutti i prodotti da spedire siano imballati in modo adatto al fine di garantirne una protezione sufficiente durante il trasporto. Siemens non si assume la responsabilità per i costi legati a eventuali danni causati durante il trasporto.

ATTENZIONE

Protezione insufficiente durante l'immagazzinaggio

L'imballaggio fornisce solo una protezione limitata contro l'umidità e le infiltrazioni.

- Procurarsi un imballaggio aggiuntivo in base alle necessità.

Le condizioni speciali per l'immagazzinaggio e il trasporto sono riportate nel capitolo Dati tecnici (Pagina 127).

1.7 Informazioni sulla garanzia

Il contenuto del presente manuale non è parte di un precedente o esistente accordo, promessa o rapporto giuridico né ha lo scopo di modificare questi ultimi. Gli obblighi da parte della Siemens AG sono quelli previsti dal contratto di compravendita che contiene le uniche condizioni di garanzia valide e complete. Queste condizioni di garanzia non vengono né ampliate né limitate da quanto riportato in questo manuale.

Il contenuto si riferisce alle condizioni tecniche al momento della pubblicazione. Con riserva di modifiche tecniche nell'ambito di ulteriori sviluppi.


2 Istruzioni di sicurezza

2.1 Condizioni preliminare per l'uso

Questo apparecchio ha lasciato la fabbrica in condizioni funzionali ineccepibili. Per mantenere queste condizioni e garantire un funzionamento sicuro dell'apparecchio, osservare le presenti istruzioni operative e tutte le informazioni di rilievo per la sicurezza.

Osservare le avvertenze e i simboli riportati sull'apparecchio. Non rimuovere dall'apparecchio avvertenze e simboli in cui si raccomanda di mantenere sempre intatta la leggibilità.

2.1.1 Simboli di avvertenza sul dispositivo

Simbolo	Spiegazione
	Consultare le istruzioni operative

2.1.2 Avvertenza SIL

Nota

Applicazioni con sicurezza funzionale (SIL)

Se l'apparecchiatura è destinata all'uso in applicazioni che richiedono una sicurezza funzionale consultare l'apposito manuale.

2.1.3 Leggi e disposizioni

Osservare le norme di sicurezza, le clausole e le leggi applicabili nel proprio Paese durante il collegamento, il montaggio e il funzionamento. Questi includono, ad esempio:

- Codice elettrico nazionale (NEC - NFPA 70) (USA)
- Codice elettrico canadese (CEC) (Canada)

Ulteriori clausole sulle aree pericolose sono ad esempio:

- IEC 60079-14 (internazionale)
- EN 60079-14 (EU)

Il marchio CE sul dispositivo ne indica la conformità alle seguenti direttive europee:

Compatibilità elettromagnetica EMC 2014/30/EU	Direttiva del Parlamento Europeo e del Consiglio concernente l'armonizzazione delle legislazioni degli Stati membri relative alla compatibilità elettromagnetica.
Direttiva sulla bassa tensione LVD 2014/35/EU	Direttiva del Parlamento Europeo e del Consiglio concernente l'armonizzazione delle legislazioni degli Stati membri relative alla messa a disposizione sul mercato del materiale elettrico destinato a essere adoperato entro taluni limiti di tensione.
Atmosphère explosible ATEX 2014/34/EU	Direttiva del Parlamento Europeo e del Consiglio concernente l'armonizzazione delle legislazioni degli Stati membri relative agli apparecchi e sistemi di protezione destinati a essere utilizzati in atmosfera potenzialmente esplosiva.

Le direttive applicabili sono riportate nella dichiarazione di conformità CE del relativo dispositivo.

AVVERTENZA

Modifiche errate del dispositivo

Le modifiche errate del dispositivo possono mettere in pericolo gli operatori, l'impianto e l'ambiente, soprattutto nelle aree a rischio di esplosione.

- Apportare modifiche solo se previste nelle istruzioni per l'uso del dispositivo. In caso contrario decadono la garanzia del costruttore e le omologazioni del prodotto.

2.2 Requisiti per applicazioni speciali

Considerato l'elevato numero di applicazioni possibili, le presenti istruzioni non possono considerare tutti i particolari delle diverse versioni del dispositivo per le varie situazioni che possono verificarsi durante la messa in servizio, l'esercizio, la manutenzione e il funzionamento in un sistema. Per avere altre informazioni oltre a quelle fornite dalle presenti istruzioni rivolgersi al punto vendita o al rappresentante Siemens della propria zona.

Nota

Funzionamento in condizioni ambientali speciali

Prima di utilizzare il dispositivo in condizioni ambientali difficili, ad es. in un impianto nucleare, o in caso di utilizzo a scopi di ricerca e di sviluppo, si consiglia di rivolgersi al proprio rappresentante Siemens o al proprio reparto applicazioni.

2.3 Utilizzo in aree pericolose

Personale qualificato per l'utilizzo in aree pericolose

Gli addetti all'installazione, al collegamento, alla messa in servizio, al comando e alla manutenzione in aree pericolose devono essere in possesso delle seguenti qualifiche:

- operatori che dispongono dell'addestramento necessario e dell'autorizzazione all'uso e alla manutenzione di apparecchi e sistemi conformi agli standard della tecnica di sicurezza per circuiti elettrici, alte pressioni e mezzi corrosivi nonché pericolosi;
- operatori che dispongono dell'addestramento necessario e dell'autorizzazione a eseguire lavori sui circuiti elettrici in impianti a pericolo di esplosione;
- questi operatori sono qualificati alla manutenzione e all'utilizzo di apparecchi di sicurezza adeguati in ottemperanza alle disposizioni vigenti in materia.

AVVERTENZA

Utilizzo in aree pericolose

Rischio di esplosione.

- Utilizzare solo apparecchiature omologate per l'utilizzo nella relativa area pericolosa e munite dell'apposito contrassegno.

AVVERTENZA

Perdita di sicurezza nel dispositivo con tipo di protezione "sicurezza intrinseca Ex i"

Se il dispositivo è già stato utilizzato in circuiti non intrinsecamente sicuri o se non ne sono state rispettate le specifiche elettriche, non è più possibile garantirne la sicurezza in caso di utilizzo in aree pericolose Rischio di esplosione.

- Collegare i dispositivi con tipo di protezione "sicurezza intrinseca" esclusivamente a circuiti a sicurezza intrinseca.
- Rispettare le caratteristiche elettriche specificate sul certificato e/o nel capitolo Dati tecnici (Pagina 127).

3 Installazione/montaggio

3.1 Avvertenze di sicurezza di base

CAUTELA

Superfici bollenti perché a contatto con sostanze di processo bollenti

Rischio di ustioni per la presenza di superfici con temperature superiori a 70 °C (155 °F).

- Adottare misure protettive adeguate, ad es. di protezione dal contatto.
- Accertarsi che le misure protettive non causino un superamento della temperatura massima consentita per l'ambiente. Per informazioni consultare il capitolo Dati tecnici (Pagina 127).

AVVERTENZA

Superamento della temperatura massima consentita per l'ambiente o le sostanze di processo

Pericolo di esplosione nelle aree pericolose.

Danni al dispositivo.

- Accertarsi che non vengano superate le temperature massime ammesse per l'ambiente o le sostanze di processo. Per informazioni consultare il capitolo Dati tecnici (Pagina 127).

AVVERTENZA

Passacavo aperto o pressacavo errato

Pericolo di esplosione nelle aree pericolose.

- Chiudere i passacavi per i collegamenti elettrici. Usare solo pressacavi omologati per il tipo di protezione rilevante.

3.1.1 Requisiti del luogo di installazione

ATTENZIONE

Forti vibrazioni

Danni al dispositivo.

- Negli impianti soggetti a forti vibrazioni il trasmettitore va montato in un ambiente con vibrazioni basse.

CAUTELA

Atmosfere aggressive

Danni al dispositivo dovuti alla penetrazione di vapori aggressivi.

- Accertarsi che il dispositivo sia adatto all'applicazione.

CAUTELA

Luce solare diretta

Danni al dispositivo.

Il dispositivo può surriscaldarsi o i materiali possono infragilirsi in seguito all'esposizioni ai raggi UV.

- Proteggere il dispositivo dalla luce solare diretta.
- Accertarsi che non venga superata la temperatura ambiente massima consentita. Per informazioni consultare il capitolo Dati tecnici (Pagina 127).

Panoramica di un sistema tipico

La seguente figura mostra una configurazione tipica costituita da un trasmettitore e un misuratore di portata clamp-on.

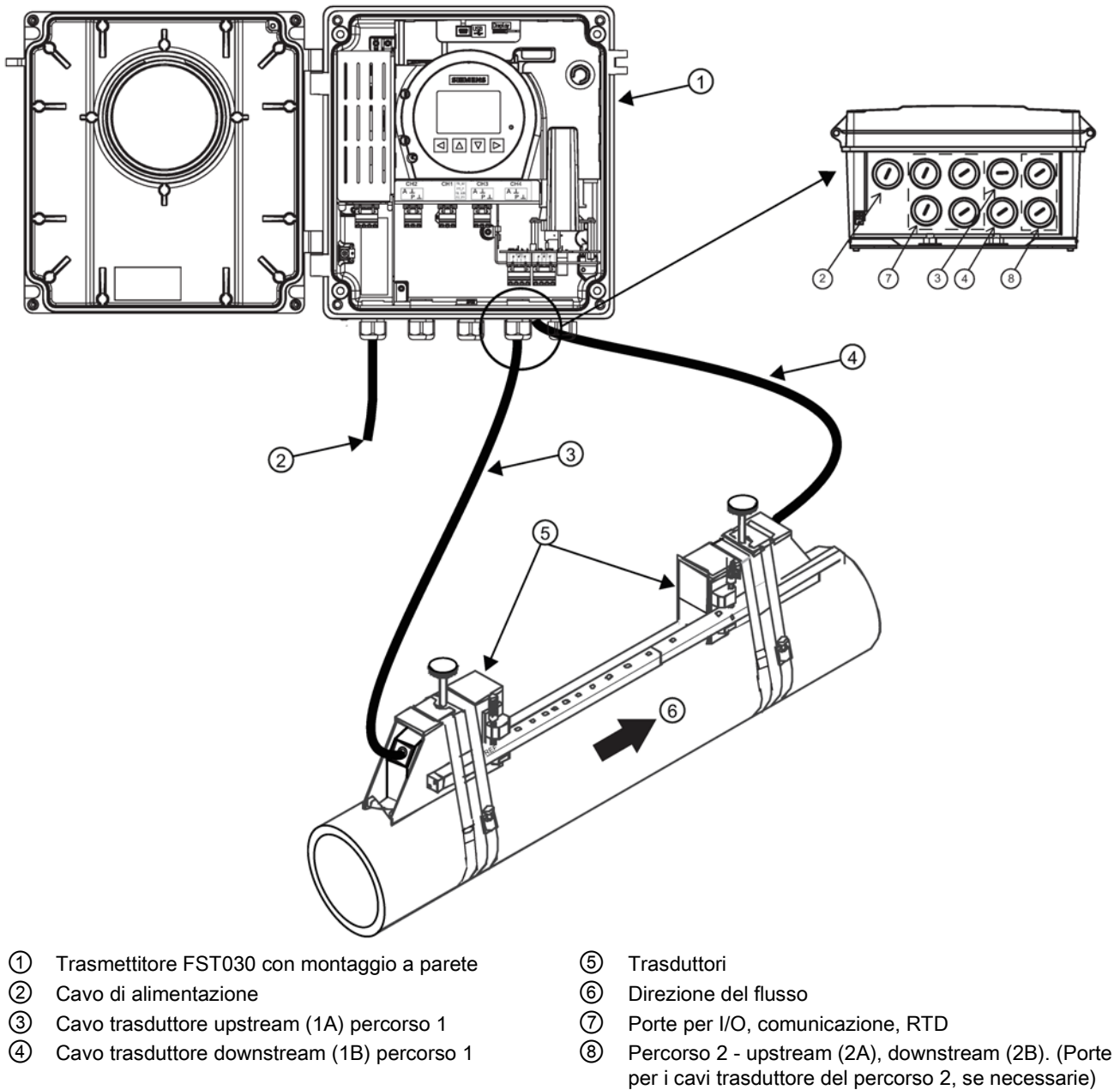


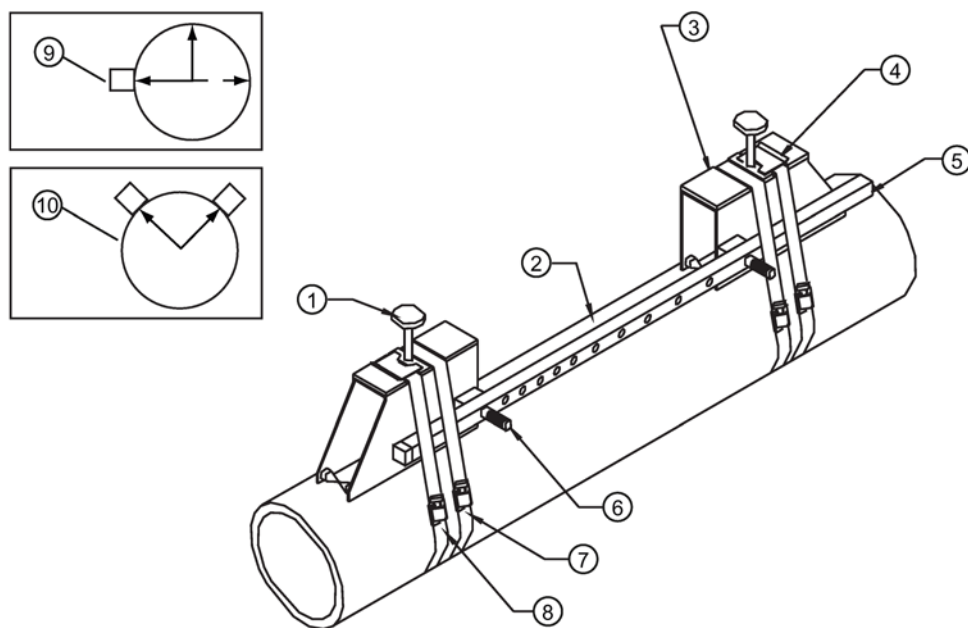
Figura 3-1 Panoramica del trasmettitore con montaggio a parete (modo di montaggio Riflettere)

3.2 Installazione dei trasduttori nel modo di montaggio Riflettere

Modo di montaggio Riflettere - Installazione dei trasduttori con telai di montaggio e distanziatore

1. Per programmare il contatore dei parametri dell'applicazione quali le dimensioni dei tubi, il tipo di liquido e le dimensioni del trasduttore, utilizzare la procedura di setup guidata. Una volta specificato, il trasmettitore restituisce un indice di spaziatura adatto all'applicazione.
2. Impostare la distanza fra i trasduttori in base all'indice di spaziatura fornito dal trasmettitore utilizzando il distanziatore in dotazione. L'indice di spaziatura definisce la distanza corretta fra i trasduttori in base alla dimensione dei tubi indicata.

Prima di continuare consultare il grafico per l'installazione del trasduttore nel modo Riflettere, riportato più sotto.



- | | |
|---|---|
| ① Vite di fissaggio del trasduttore | ⑥ Perno e foro di riferimento sul distanziatore |
| ② Tubo cliente | ⑦ Fascetta di montaggio |
| ③ Telaio di montaggio 7ME39600*** | ⑧ I tubi di grandi dimensioni potrebbero richiedere altre fascette di montaggio |
| ④ Molla di bloccaggio (non presente in alcuni modelli di telaio di montaggio) | ⑨ Orientamento per trasduttore a percorso singolo nella posizione delle ore 9 |
| ⑤ Distanziatore | ⑩ Orientamento per trasduttore a percorso doppio nella posizione delle ore 10 e 2 |

Figura 3-2 Modo di montaggio Riflettere

3.3 Layout dei morsetti

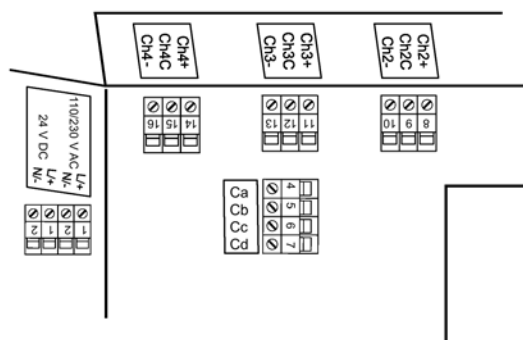


Figura 3-3 Layout dei morsetti - contenitore per il montaggio a parete

Configurazione HW	Configurazione SW	Morsetti															
		Alimentazione			Canale 1			Canale 2			Canale 3			Canale 4			
		1	2	3	4	5	6	8	9	10	11	12	13	14	15	16	
Alimentazione		L	N														
Canale 1 HART	Uscita di corrente HART				Attivo		Passivo										
Uscita canale 2	Corrente, frequenza, impulso e stato						Attivo		Passivo								
Canali 3 e 4 Ingresso/uscita	Uscite: corrente, frequenza, impulso e stato Ingressi: digitali e corrente									Attivo		Passivo					
Canali 3 e 4 Relè	Uscita di stato									NC		NC					
										NA		NA					

Figura 3-4 Panoramica dei morsetti/della configurazione (HART)

3.4 Montaggio errato

ATTENZIONE

Montaggio errato

In seguito a un montaggio errato il dispositivo può subire danni, essere distrutto o perdere la propria funzionalità.

- Prima di procedere all'installazione accertarsi che il dispositivo sia integro e non presenti danni visibili.
- Montare il dispositivo con attrezzi adeguati. Consultare le istruzioni operative.

CAUTELE

Perdita della classe di protezione

Se la custodia è aperta o non è chiusa correttamente il dispositivo può subire dei danni. Non viene garantita la classe di protezione indicata nella targhetta del nome o in Dati tecnici (Pagina 127).

- Accertarsi che il dispositivo sia chiuso correttamente.

3.5 Smontaggio

AVVERTENZA

Smontaggio errato

Uno smontaggio errato può avere come conseguenza i seguenti rischi:

- Lesioni da scosse elettriche
- Rischio dovuto alla fuoriuscita di sostanze durante il collegamento al processo
- Rischio di esplosione in un'area pericolosa

Per uno smontaggio corretto attenersi a quanto segue:

- Prima di cominciare accertarsi di aver disattivato tutte le variabili fisiche quali pressione, temperatura, elettricità ecc. o assicurarsi che abbiano un valore tale da non poter causare danni.
- Se il dispositivo contiene sostanze pericolose, svuotarlo prima di procedere allo smontaggio. Accertarsi che non vengano emesse sostanze pericolose per l'ambiente.
- Mettere in sicurezza i collegamenti rimanenti in modo da evitare che l'eventuale avvio non intenzionale del processo possa causare danni.

4 Collegamento

4.1 Avvertenze di sicurezza di base

AVVERTENZA

Cavi, pressacavi e/o connettori non adatti

Rischio di esplosione nelle aree pericolose.

- Utilizzare solo pressacavi/connettori che soddisfino i requisiti previsti per il tipo di protezione rilevante.
- Serrare i pressacavi utilizzando le coppie di serraggio specificate nei Trasmettitori (Pagina 118).
- Chiudere gli ingressi dei cavi per i collegamenti elettrici non utilizzati.
- Sostituire i pressacavi solo con pressacavi dello stesso tipo.
- Dopo l'installazione controllare che i cavi siano ben fissati.

AVVERTENZA

Tensione di contatto pericolosa

Rischio di scosse elettriche in caso di collegamento errato.

- Per informazioni sulle specifiche per il collegamento consultare Dati tecnici (Pagina 127).
- Nel luogo di montaggio del dispositivo rispettare le direttive e le leggi applicabili in materia di installazione degli impianti elettrici con tensioni nominali inferiori a 1000 V.

ATTENZIONE

Condensa nel dispositivo

Danni al dispositivo dovuti alla formazione di condensa nel caso in cui la differenza tra la temperatura di trasporto o immagazzinaggio e quella del luogo di montaggio superi i 20 °C (36 °F).

- Prima di mettere in funzione il dispositivo fare in modo che possa adattarsi al nuovo ambiente per alcune ore.

AVVERTENZA

Collegamento di terra/PE mancante

Rischio di scosse elettriche.

In funzione della versione del dispositivo collegare l'alimentazione nel seguente modo:

- **Spina di alimentazione:** assicurarsi che la presa utilizzata abbia un collegamento per il conduttore di terra/PE. Verificare che il collegamento per il conduttore di terra/PE e la spina di alimentazione siano compatibili.
- **Collegamento dei morsetti:** collegare i morsetti come illustrato nel diagramma di collegamento. Collegare prima il conduttore di terra/PE.

ATTENZIONE

Temperatura ambiente troppo alta

Danni alla guaina del cavo.

- A una temperatura ambiente ≥ 60 °C (140 °F) utilizzare cavi termoresistenti adatti a una temperatura ambiente più alta di almeno 20 °C (36 °F).

AVVERTENZA

Alimentazione inadeguata

Rischio di esplosione nelle aree pericolose in caso di alimentazione errata, ad es. in seguito all'utilizzo della corrente continua invece che alternata.

- Collegare il dispositivo come indicato nei circuiti di alimentazione e di segnale specificati. Le specifiche rilevanti sono indicate nei certificati riportati nel capitolo Dati tecnici (Pagina 127) o sulla targhetta.

 **AVVERTENZA**

Mancanza di collegamento equipotenziale

Rischio di esplosione dovuto a correnti di compensazione o di accensione causate dalla mancanza di collegamento equipotenziale.

- Accertarsi che il dispositivo disponga di compensazione del potenziale.

Eccezione: nei dispositivi con protezione di tipo "sicurezza intrinseca Ex i" il collegamento equipotenziale non è obbligatorio.

 **AVVERTENZA**

Estremità dei cavi non protette

Rischio di esplosione dovuto alle estremità dei cavi non protette nelle aree pericolose.

- Proteggere le estremità dei cavi come previsto nella norma IEC/EN 60079-14.

 **AVVERTENZA**

Posa errata dei cavi schermati

Rischio di esplosione dovuto a correnti di compensazione tra l'area pericolosa e quella non pericolosa.

- I cavi schermati che attraversano aree a rischio di esplosione devono essere messi a terra solo su un'estremità.
- Se è necessario collegare a massa entrambe le estremità, utilizzare un conduttore equipotenziale.

 **AVVERTENZA**

Isolamento insufficiente dei circuiti di sicurezza intrinsecamente sicuri e non intrinsecamente sicuri

Rischio di esplosione nelle aree pericolose.

- Quando si collegano i circuiti di sicurezza non intrinsecamente sicuri e intrinsecamente sicuri accertarsi che l'isolamento sia corretto e conforme a quanto previsto nella norma IEC 60079-14.
- Osservare i documenti di approvazione del dispositivo validi per il proprio paese.

 **AVVERTENZA**

Collegamento del dispositivo sotto tensione

Rischio di esplosione nelle aree pericolose.

- Nelle aree pericolose collegare i dispositivi solo in assenza di tensione.

Eccezione:

- I dispositivi con tipo di protezione "sicurezza intrinseca Ex i" possono essere collegati nelle aree pericolose anche sotto tensione.
- Le eccezioni per il tipo di protezione "non-sparking nA" (zona 2) sono definite nel certificato rilevante.

Nota

Compatibilità elettromagnetica (EMC)

Questo dispositivo è utilizzabile negli ambiente industriali e domestici e nelle piccole attività artigianali.

Per le custodie di metallo è prevista una compatibilità elettromagnetica maggiore rispetto alla radiazione ad alta frequenza. La protezione può essere aumentata collegando a massa la custodia, consultare il capitolo Dati tecnici (Pagina 127).

Nota

Miglioramento dell'immunità alle interferenze

- Posare i cavi di segnale lontano da quelli con tensioni > 60 V.
 - Usare cavi con fili ritorti.
 - Tenere il dispositivo e i cavi lontani dai campi elettromagnetici forti.
 - Usare cavi schermati per garantire la piena conformità alle specifiche secondo HART.
 - Collegare una resistenza di carico di min. 230 Ω in serie al circuito di segnale in modo da garantire la comunicazione HART senza errori. Se si utilizzano isolatori per i trasmettitori SITRANS HART, nel dispositivo è già installata una resistenza di carico.
-

4.2 Trasmettitore

Preparazione per il collegamento

1. Allentare le quattro viti del coperchio.
2. Aprire il coperchio.
3. Rimuovere l'utensile per connettori F dal contenitore per il montaggio a parete.

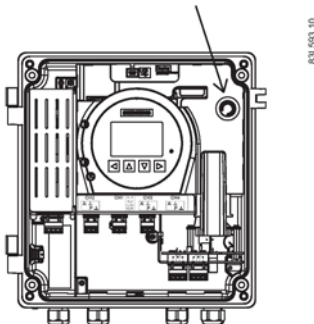
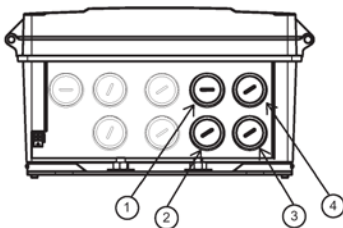


Figura 4-1 Posizione dell'utensile per connettori F

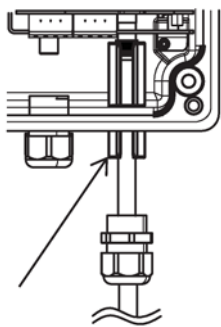
Collegamento dei cavi per i sensori di portata

Perché il sistema funzioni è indispensabile collegare correttamente i cavi per i sensori. I due cavi di ciascun percorso devono essere collegati agli stessi numeri di porta (1A e 1B oppure 2A a 2B) sul trasmettitore.



I cavi per i sensori sono forniti completi di connettore F premontato sull'estremità del trasmettitore.

1. Rimuovere il tappo cieco dal contenitore per il montaggio a parete.
2. Far scorrere il pressacavo sul cavo in modo da fare spazio all'utensile per connettori F.
3. Infilare l'utensile sul cavo e farlo scorrere in modo da bloccare il dado del connettore F.
4. Spingere il cavo attraverso l'apertura del pressacavo. Accertarsi che il conduttore centrale sia allineato alla porta sul trasmettitore.
5. Serrare il connettore F con l'utensile fino all'arresto meccanico.



6. Rimuovere l'utensile per connettori F.

7. Montare e serrare il pressacavo.

Ripetere le operazioni descritte per tutti i cavi sensore.

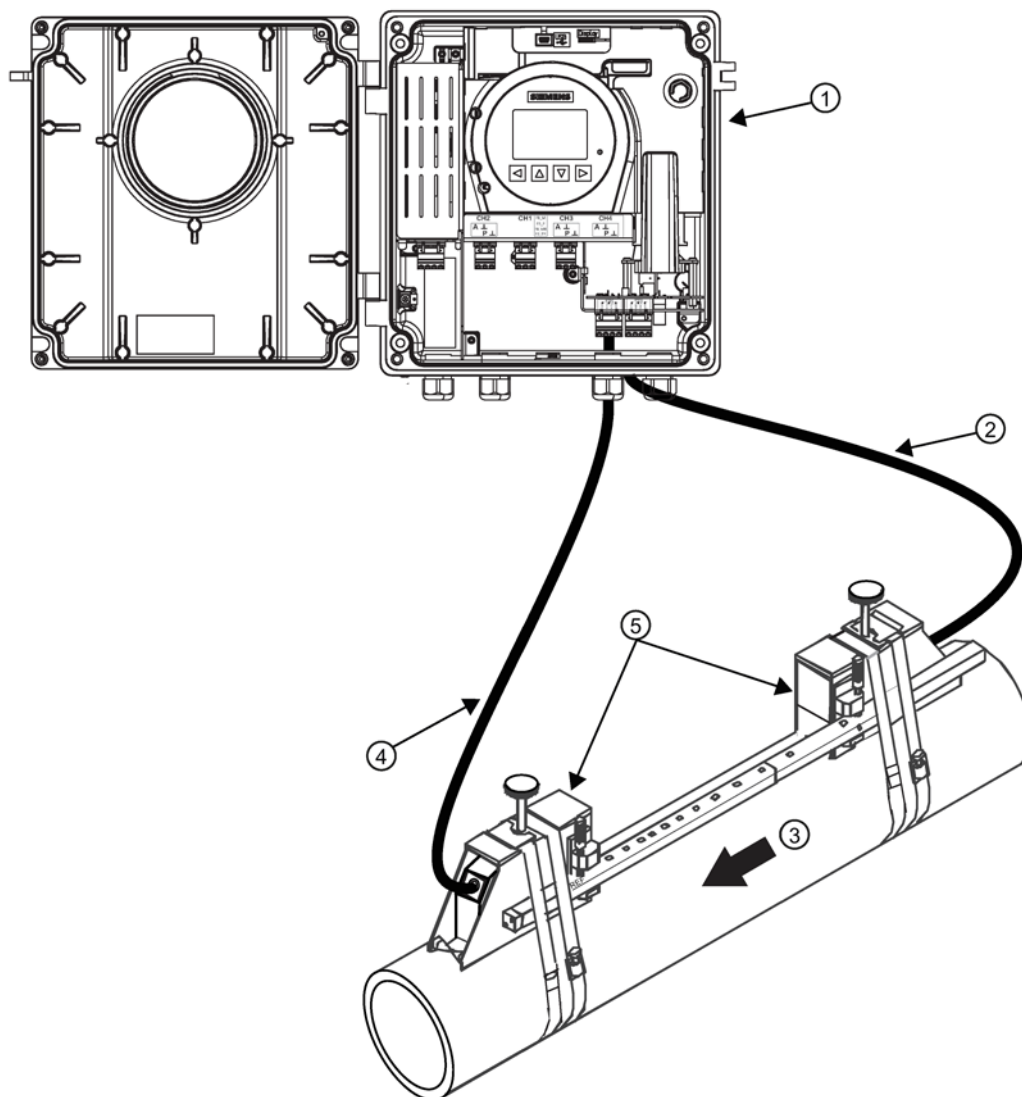
4.3 Montaggio a parete

Nota

Il seguente esempio è illustrato nella configurazione dei sensori per il montaggio Riflettere.

Per collegare i cavi sensore al trasmettitore montato a parete procedere nel seguente modo:

1. Prima di procedere al collegamento riempire l'estremità del connettore con Super Lube.
2. Applicare il Super Lube sui fili interni dall'estremità più grande del connettore.
3. Tenendo conto dell'orientamento upstream e downstream (3), collegare il cavo sensore upstream (2) alla porta del trasmettitore (1A) e serrare bene il collegamento.
4. Collegare il cavo sensore downstream (4) alla porta del trasmettitore (1B) e serrare bene il collegamento.



- | | |
|---|---|
| ① Trasmettitore con montaggio a parete | ④ Cavo sensore downstream (1B) percorso 1 |
| ② Cavo sensore upstream (1A) percorso 1 | ⑤ Sensori |
| ③ Direzione del flusso | |

Figura 4-2 Contenitore per il montaggio a parete con cavi di collegamento trasduttore-sensore

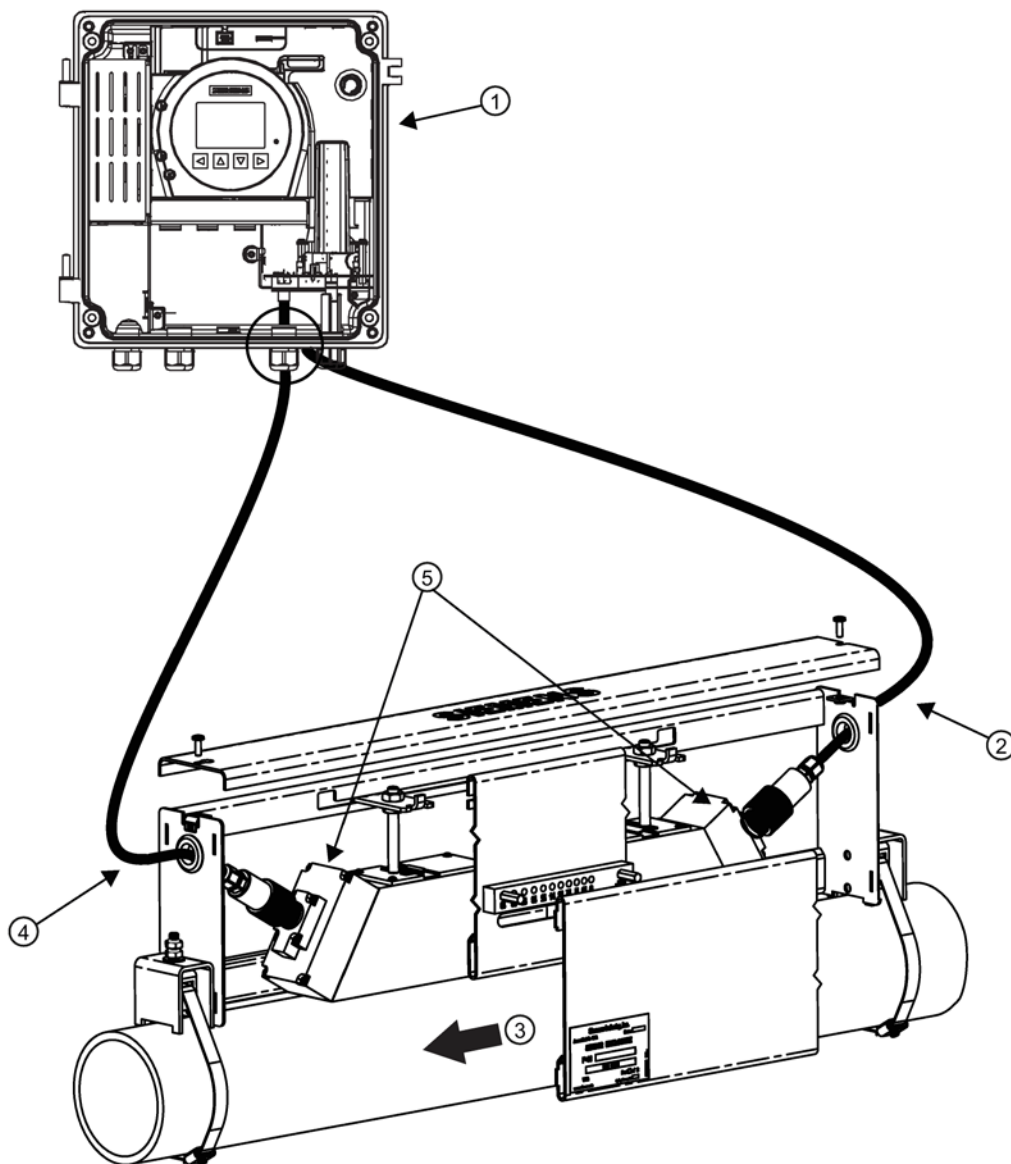
5. Serrare tutti i pressacavi fino a ottenere una tenuta ottimale.
6. Programmare il trasmettitore come descritto nel manuale operativo (FST030 Operating Instructions).

4.4 Montaggio ad elevata precisione

Cablaggio per il montaggio Riflettere con contenitore singolo

Per collegare i cavi sensore al trasmettitore procedere nel seguente modo:

1. Prima di procedere al collegamento riempire l'estremità del connettore con Super Lube.
2. Applicare il Super Lube sui fili interni dall'estremità più grande del connettore.
3. Tenendo conto dell'orientamento upstream e downstream (③), collegare il cavo sensore upstream (②) alla porta del trasmettitore (1A) e serrare bene il collegamento.
4. Collegare il cavo sensore downstream (④) alla porta del trasmettitore (1B) e serrare bene il collegamento.



- | | |
|--|--|
| ① Trasmettitore con montaggio a parete | ③ Direzione del flusso |
| ② Cavo sensore upstream collegato alla porta DSL interna (1A) percorso 1 | ④ Cavo sensore downstream collegato alla porta del trasmettitore (1B) percorso 1 |
| | ⑤ Sensori con montaggio ad elevata precisione |

Figura 4-3 Cablaggio contenitore singolo per montaggio Riflettere ad elevata precisione

5. Serrare tutti i pressacavi fino a ottenere una tenuta ottimale.

Cablaggio per il montaggio Riflettere con doppio contenitore

Facendo riferimento alla figura che rappresenta il montaggio Riflettere ad alta precisione con contenitore singolo, collegare i cavi sensore per il doppio contenitore con montaggio Riflettere alle porte del trasmettitore nel seguente modo:

1. Tenendo conto dell'orientamento upstream e downstream ③, collegare i cavi alle porte del trasmettitore.
2. Serrare tutti i pressacavi fino a ottenere una tenuta ottimale.
3. Programmare il trasmettitore come descritto nel manuale operativo (FST030 Operating Instructions).

Cablaggio per il montaggio diretto con doppio contenitore

Per collegare i cavi sensore al DSL e al trasmettitore procedere nel seguente modo:

1. Prima di procedere al collegamento riempire l'estremità del connettore con Super Lube.
2. Applicare il Super Lube sui fili interni dall'estremità più grande del connettore.
3. Tenendo conto dell'orientamento upstream e downstream ③, collegare il cavo sensore upstream ② alla porta del trasmettitore (1A) e serrare bene il collegamento.
4. Collegare il cavo sensore downstream ⑤ alla porta del trasmettitore (1B) e serrare bene il collegamento.

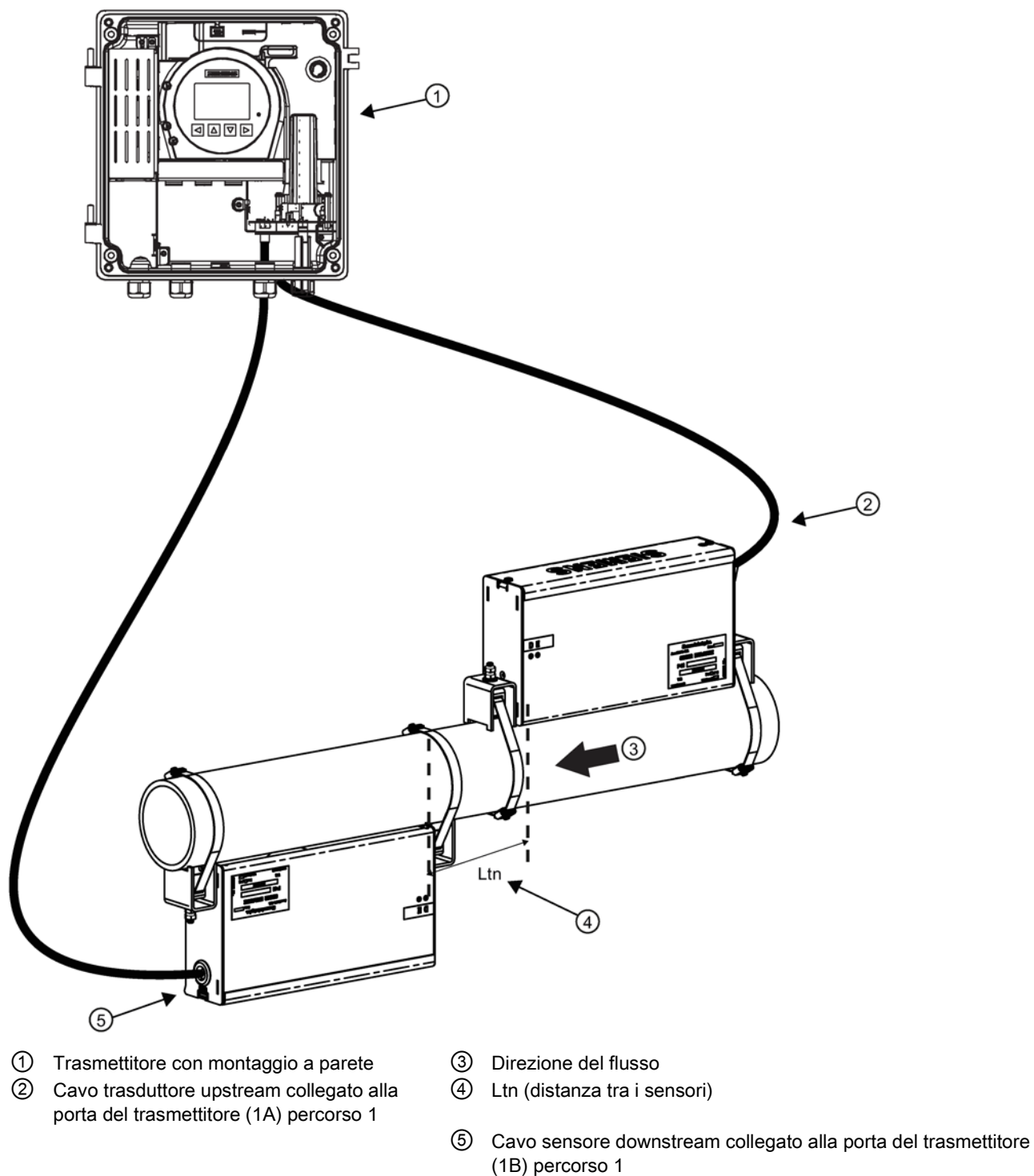


Figura 4-4 Cablaggio con contenitore doppio e montaggio diretto ad alta precisione

5. Serrare tutti i pressacavi fino a ottenere una tenuta ottimale.
6. Programmare il trasmettitore come descritto nel manuale operativo (FST030 Operating Instructions).

5 Messa in servizio

5.1 Avvertenze di sicurezza di base

5.1.1 Gas e liquidi tossici

PERICOLO

Gas e liquidi tossici

Pericolo di avvelenamento quando si scarica il dispositivo: se si misurano sostanze di processo tossiche possono fuoriuscire gas e liquidi tossici.

- Prima di scaricare il dispositivo, assicurarsi che non contenga gas o liquidi tossici oppure osservare le opportune misure di sicurezza.

AVVERTENZA

Messa in servizio e funzionamento in presenza di un messaggio di errore

Se compare un messaggio di errore il corretto funzionamento del processo non è più garantito.

- Verificare la gravità dell'errore.
- Correggere l'errore.
- Se l'errore persiste:
 - Spegnerne il dispositivo.
 - Evitare una nuova messa in servizio.

5.1.2 Messa in servizio errata nelle aree pericolose

AVVERTENZA

Messa in servizio errata nelle aree pericolose

Guasto del dispositivo o rischio di esplosione nelle aree pericolose.

- Non mettere in servizio il dispositivo finché non è completamente montato e collegato come indicato nel capitolo Dati tecnici (Pagina 127).
- Prima di metterlo in servizio considerarne l'interazione con gli altri dispositivi del sistema.

5.1.3 Apertura del dispositivo sotto tensione

CAUTELA

Perdita della classe di protezione

Se la custodia è aperta o non è chiusa correttamente il dispositivo può subire dei danni. Non viene garantita la classe di protezione indicata nella targhetta del nome o in Dati tecnici (Pagina 127).

- Accertarsi che il dispositivo sia chiuso correttamente.

AVVERTENZA


Tensione di contatto pericolosa


Rischio di lesioni dovute a una tensione di contatto pericolosa quando il dispositivo è aperto o non è chiuso correttamente.

Se il dispositivo è aperto o non è chiuso correttamente il grado di protezione indicato nella targhetta del nome e/o in Dati tecnici (Pagina 127) non è più garantito.


- Accertarsi che il dispositivo sia chiuso correttamente.

5.1.4 Pericolo di esplosione in presenza di sostanze da misurare a temperature superiori a 100 °C che attraversano la calotta a pressione.

 AVVERTENZA
Pericolo di esplosione in presenza di sostanze da misurare a temperature superiori a 100 °C che attraversano la calotta a pressione. La protezione contro le esplosioni non è più garantita e l'omologazione perde la propria validità. Per ragioni d'esercizio, le sostanze da misurare con temperature superiori a 100 °C non devono attraversare la calotta a pressione.

 AVVERTENZA
Perdita della protezione dall'esplosione Rischio di esplosione nelle aree pericolose se il dispositivo è aperto o non è chiuso correttamente. <ul style="list-style-type: none">• Chiudere il dispositivo come indicato in Collegamento (Pagina 116).

5.1.5 Superfici bollenti

 AVVERTENZA
Superfici bollenti Rischio di ustioni dovute al contatto con superfici bollenti. <ul style="list-style-type: none">• Adottare misure protettive adeguate, ad es. indossando guanti protettivi.

5.2 Display locale

Il dispositivo viene messo in servizio/utilizzato con la tastiera a sfioramento sul display locale.

Gli elementi vengono attivati toccando il pannello di vetro sul tasto corrispondente. Una pressione più forte non attiva il tasto, utilizzare invece un pollice anziché la punta del dito. Il display di testo sopra gli elementi operativi consente di comandare le funzioni/i parametri del dispositivo tramite menu. Se il tasto è stato premuto correttamente un LED verde a destra del display lo conferma.

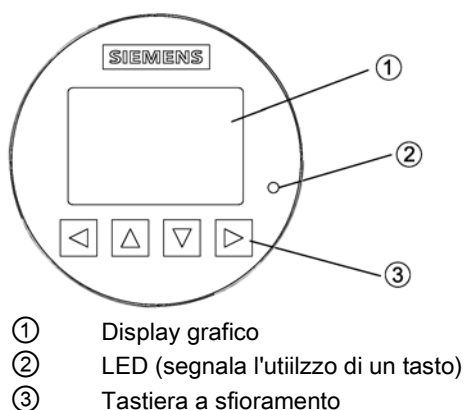


Figura 5-1 Display locale

Nota

(Ri)calibrazione della tastiera

Quando si chiude il coperchio i tasti vengono (ri)calibrati (< 5 secondi). Durante la (ri)calibrazione il LED è acceso e i tasti non sono utilizzabili.

Se si preme un tasto per più di 10 secondi, questo viene (ri)calibrato (l'operazione che dura meno di 10 secondi). Per eseguire altre operazioni rilasciare il tasto.

Nota

Timeout della HMI

Se non si preme alcun tasto per 10 minuti il display passa alla visualizzazione operativa. Se è impostata la retroilluminazione automatica il display si spegne automaticamente 30 secondi dopo che è stato premuto l'ultimo tasto.

Nota

Il funzionamento non richiede l'apertura del dispositivo. Questo significa che sono sempre garantiti l'elevato grado di protezione IP67 e la sicurezza nelle aree pericolose.

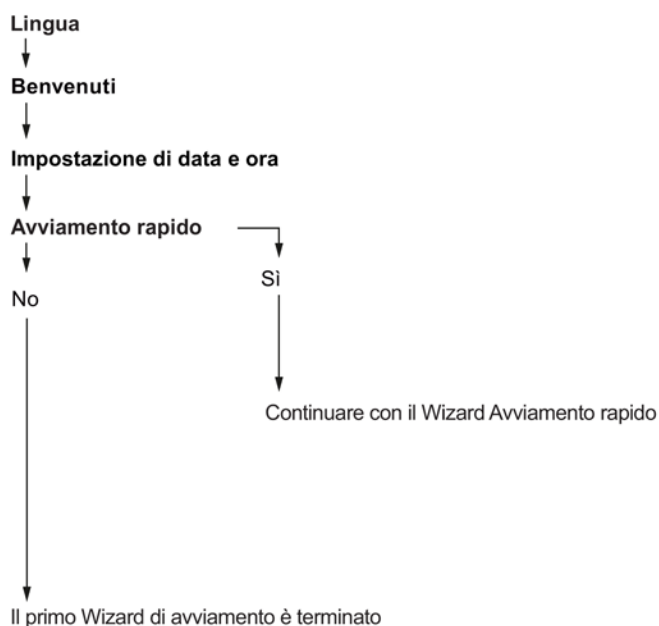
5.3 Avviamento iniziale

La prima volta che il dispositivo viene acceso, verrà chiesto di impostare la lingua. Il dispositivo si avvia sempre mostrando Language in inglese. Una volta impostata la lingua verrà chiesto di impostare data e ora.

Prima del primo utilizzo del misuratore di portata è importante considerare alcuni parametri fondamentali. Dopo aver confermato/modificato la data e l'ora si può scegliere se accettare i valori di default o avviare il Wizard Avviamento rapido.

Verrà chiesto se si vuole avviare il Wizard Avviamento rapido. Se si sceglie Sì (consigliato) si avvia il Wizard Avviamento rapido. Scegliendo No, si accettano i valori di default del dispositivo e la visualizzazione HMI seguente sarà la visualizzazione operativa 1.

Avvio



Testo

Lingua

Benvenuti

Impostazione di data e ora

Avviamento rapido

Opzioni/Descrizione

Impostazione della lingua: English, Deutsch, Français, Italiano, Español, 汉语

Informazioni sul Wizard Avviamento rapido

La data e l'ora impostate (orologio in tempo reale) sono utilizzate per tutte le indicazioni di data e ora delle informazioni registrate

Il Wizard Avviamento rapido contiene i parametri/menu principali per la configurazione rapida del misuratore di portata

6 Dati tecnici

6.1 Ingresso

Tabella 6-1 Alimentazione elettrica

Descrizione	Dati tecnici
Tensione di alimentazione	<ul style="list-style-type: none"> 100 ... 240 V AC +10/-10%, 47 ... 63 Hz DC da 20 a 27 V +10/-10%
Assorbimento di corrente	15 VA/7,5 W
Fluttuazione	<ul style="list-style-type: none"> Sovratensioni transitorie fino ai livelli di sovratensione di categoria II Le sovratensioni temporanee si verificano solo nell'alimentazione di rete
Protezione dall'inversione di polarità (s / n)	Y
Isolamento galvanico	3000 V AC

6.2 Interfaccia HART

Tabella 6-2 Comunicazione HART

Descrizione	Dati tecnici
Revisione HART	7,5
Gestioni dispositivi supportate	SIMATIC PDM V8.2 SP1 o versione successiva
Electronic Device Description supportata (EDD)	V1.00.00

6.3 Condizioni di esercizio

Tabella 6-3 Condizioni di base

Descrizione	Dati tecnici
Temperatura ambiente (umidità max. 90 %)	Funzionamento: Trasmettitore senza display Display -40 ... +60 °C (-40 ... +140 °F) -20 ... +60 °C (-4 ... +140 °F)
Temperatura ambiente (umidità max. 90 %)	Immagazzinaggio: -40 ... +70 °C (-40 ... +158 °F)
Classe climatica	DIN 60721-3-4
Altitudine	Max. 2.000 m (6560 ft)
Umidità relativa	95 %
Resistenza alla percussione	Su richiesta
Resistenza agli urti	Su richiesta
Shock termico	Su richiesta
Resistenza alle vibrazioni	Su richiesta
Prestazioni EMC	<ul style="list-style-type: none"> Emissioni Immunità <ul style="list-style-type: none"> EN 55011 / CISPR-11 EN/IEC 61326-1 (Industria) NAMUR NE 21

Tabella 6-4 Condizioni del fluido di processo

Descrizione	Dati tecnici
Temperatura del fluido di processo (T_s) (min ... max)	-50 ... +200 °C (-58 ... 492 °F)
Temperatura del fluido di processo (min ... max)	Fino a 5000 kg/m ³ (0,06 ... 312 lb/ft ³)
Pressione relativa del fluido di processo (min ... max)	0 ... 160 bar (0 ... 2321 psi)
Pressione assoluta del fluido di processo (min ... max)	Acciaio inossidabile: 1 ... 101 bar (14,5 ... 1465 psi) Hastelloy: 1 ... 161 bar (14,5 ... 2335 psi)
Viscosità del fluido di processo	Gas e liquidi non comprimibili

7 Assistenza e manutenzione

7.1 Avvertenze di sicurezza di base

Nota

Il dispositivo non richiede manutenzione.

7.1.1 Manutenzione

Il dispositivo non richiede manutenzione. Tuttavia è necessario eseguire un'ispezione periodica sulla base delle direttive e dei regolamenti pertinenti.

Un'ispezione può comprendere la verifica di:

- Condizioni ambientali
- Integrità delle guarnizioni dei collegamenti di processo, dei punti di ingresso dei cavi e delle viti dei coperchi
- Affidabilità dell'alimentatore, della protezione dai fulmini e dei collegamenti a terra

ATTENZIONE

Le operazioni di riparazione e manutenzione devono essere eseguite solo da personale autorizzato da Siemens.

Nota

Siemens definisce i sensori di portata come prodotti non riparabili.

AVVERTENZA

Divieto di riparazione e manutenzione del dispositivo

- Le riparazioni e la manutenzione devono essere eseguite esclusivamente da personale autorizzato Siemens.

AVVERTENZA

Strati di polvere superiori a 5 mm

Rischio di esplosione nelle aree pericolose.

Il dispositivo può surriscaldarsi a causa della presenza di polvere.

- Rimuovere gli strati di polvere superiori a 5 mm.

ATTENZIONE

Penetrazione di umidità nel dispositivo

Danni al dispositivo.

- Durante la pulizia e la manutenzione evitare che penetri umidità nel dispositivo.

CAUTELA

Sblocco del pulsante

La modifica errata dei parametri può compromettere la sicurezza del processo.

- Accertarsi che solo il personale autorizzato possa annullare lo sblocco del pulsante dei dispositivi nelle applicazioni di sicurezza.

7.2 Pulizia

Pulizia della custodia

- Pulire l'esterno della custodia con le diciture e il display con un panno inumidito con acqua o con un detergente delicato.

- Non utilizzare detergenti o solventi aggressivi, ad es. l'acetone. Le parti in plastica o le superfici verniciate potrebbero rovinarsi. Le diciture potrebbero diventare illeggibili.

 **AVVERTENZA**

Cariche elettrostatiche

Rischio di esplosione nelle aree pericolose se si sviluppano cariche elettrostatiche, ad esempio se si pulisce una custodia di plastica con un panno asciutto.

- Evitare che si formino cariche elettrostatiche nelle aree pericolose.

7.3 Manutenzione e riparazioni

 **AVVERTENZA**

Manutenzione durante il funzionamento continuo in un'area pericolosa

Quando si eseguono lavori di riparazione e manutenzione sul dispositivo in un'area pericolosa c'è il rischio di esplosione.

- Isolare il dispositivo dall'alimentazione.
- oppure
- Accertarsi che l'atmosfera non sia a rischio di esplosione (permesso di lavoro a caldo).

 **AVVERTENZA**

Accessori e parti di ricambio non consentiti

Rischio di esplosione nelle aree potenzialmente esplosive.

- Impiegare solo accessori e parti di ricambio originali.
- Attenersi alle istruzioni di installazione e di sicurezza rilevanti descritte nel manuale del dispositivo o fornite con l'accessorio o la parte di ricambio.

 **AVVERTENZA**

Ambiente umido

Rischio di scosse elettriche.

- Non intervenire sul dispositivo quando è sotto tensione.
- Se è necessario farlo accertarsi che l'ambiente sia asciutto.
- Durante la pulizia e la manutenzione evitare che penetri umidità nel dispositivo.

 **CAUTELA**

Superfici bollenti

Rischio di ustioni durante gli lavori di manutenzione su parti aventi superfici con temperature superiori a 70 °C (158 °F).

- Adottare misure protettive adeguate, ad es. indossando guanti protettivi.
- Dopo aver eseguito un intervento di manutenzione rimontare i sistemi di protezione dal contatto.

 **AVVERTENZA**

Custodia aperta

Rischio di esplosione nelle aree pericolose a causa della presenza di componenti caldi e/o condensatori caricati all'interno del dispositivo.

Per aprire il dispositivo in un'area pericolosa:

1. Isolare il dispositivo dall'alimentazione.
2. Prima di aprire il dispositivo attendere per il tempo specificato in Dati tecnici (Pagina 127) o sul simbolo di avvertenza.
3. Sensore di ispezione visiva di ingresso e uscita.

Eccezione: Esclusivamente i dispositivi con tipo di protezione "Sicurezza intrinseca Ex i" possono essere aperti in aree pericolose sotto tensione.

AVVERTENZA

Collegamento scorretto dopo la manutenzione

Rischio di esplosione nelle aree potenzialmente esplosive.

- Al termine dei lavori di manutenzione accertarsi di collegare il dispositivo correttamente.
- Dopo la manutenzione chiudere il dispositivo.

Consultare Collegamento (Pagina 116).

7.4 Procedimento di restituzione

Approntare la bolla di consegna, la bolla di restituzione merci e la dichiarazione di decontaminazione in una cartella trasparente fuori dall'imballo.

Moduli richiesti

- Bolla di consegna
- Bolla restituzione merci (<http://www.siemens.com/processinstrumentation/returngoodsnote>) con le seguenti informazioni:
 - Descrizione del prodotto (articolo).
 - Numero di dispositivi restituiti/pezzi di ricambio
 - Motivo della restituzione dell'articolo
- Dichiarazione di decontaminazione (<http://www.siemens.com/sc/declarationofdecontamination>)

Con la presente dichiarazione si garantisce "che il dispositivo/pezzo di ricambio è stato pulito accuratamente ed è privo di residui e non costituisce un pericolo per le persone e per l'ambiente."

Se il dispositivo restituito/il pezzo di ricambio è stato in contatto con sostanze tossiche, corrosive, infiammabili o inquinanti per l'acqua, pulirlo e decontaminarlo a regola d'arte prima di restituirlo, in modo da garantire che le zone cave non contengano residui di sostanze pericolose. Dopo la pulizia controllare l'unità.

In caso di restituzione di dispositivi/pezzi di ricambio privi di dichiarazione di decontaminazione, la pulizia a regola d'arte viene eseguita a spese del cliente prima di procedere alla lavorazione.

7.5 Smaltimento



Gli apparecchi descritti nel presente manuale dovrebbero essere riciclati. Questi non possono essere smaltiti nei servizi municipali di smaltimento dei rifiuti secondo la Direttiva 2012/19/EC sui rifiuti di apparecchiature elettriche ed elettroniche (RAEE).

Gli apparecchi possono essere restituiti al fornitore che risiede all'interno dell'UE o a un servizio di smaltimento autorizzato a livello locale per il riciclaggio ecocompatibile. Osservare i regolamenti specifici validi nel proprio paese.

Per maggiori informazioni sui dispositivi che contengono batterie consultare: Informazioni sulla restituzione delle batterie/i prodotti (RAEE)

(<https://support.industry.siemens.com/cs/document/109479891/>)

A Appendice A

Supporto tecnico

Se la presente documentazione non fornisce risposte complete alle domande di carattere tecnico contattare il Supporto tecnico:

- Richiesta di assistenza (<http://www.siemens.com/automation/support-request>)
- Maggiori informazioni sul Supporto tecnico sono disponibili alla pagina Servizio di assistenza tecnica (<http://www.siemens.com/automation/csi/service>)

Servizi e supporto online

Oltre alla documentazione, Siemens offre una soluzione di assistenza completa alla pagina:

- Service & Supporto (<http://www.siemens.com/automation/service&support>)

Contatto personale

Per qualsiasi altra domanda sull'apparecchio contattare il proprio referente Siemens all'indirizzo:

- Partner (<http://www.automation.siemens.com/partner>)

Per cercare il prodotto selezionare il percorso 'Tecnica di automazione > Sistemi di sensori' in 'Tutti i prodotti e i settori'.

Documentazione

La documentazione sui diversi prodotti e sistemi è disponibile in:

- Istruzioni e manuali Istruzioni e manuali (<http://www.siemens.com/processinstrumentation/documentation>)

A.1 Certificati

I certificati sono disponibili nella pagina Internet Certificati (<http://www.siemens.com/processinstrumentation/certificates>) o nel DVD in dotazione.

Marchio di prodotto

Tutti i nomi di prodotto contrassegnati con ® sono marchi registrati della Siemens AG. Gli altri nomi di prodotto citati in questo manuale possono essere dei marchi il cui utilizzo da parte di terzi per i propri scopi può violare i diritti dei proprietari.

Esclusione di responsabilità

Abbiamo controllato che il contenuto di questa documentazione corrisponda all'hardware e al software descritti. Non potendo comunque escludere eventuali differenze, non possiamo garantire una concordanza perfetta. Il contenuto di questa documentazione viene tuttavia verificato periodicamente e le eventuali correzioni o modifiche vengono inserite nelle successive edizioni.

Siemens AG
Division Process Industries and Drives
Postfach 48 48
90026 NÜRNBERG
GERMANIA

SITRANS FS230
A5E38755607, 02/2017

SIEMENS

SITRANS F

Ultrasone massadebietmeters

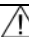
SITRANS FS230

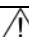
Beknopte bedieningshandleiding


Wettelijke informatie

Waarschuwingconcept

Dit handboek omvat aanwijzingen die u voor uw persoonlijke veiligheid alsmede ter voorkoming van materiële schade in acht dient te nemen. De aanwijzingen voor uw persoonlijke veiligheid zijn aangegeven door middel van een waarschuwingdriehoek. Bij aanwijzingen voor materiële schade staat geen waarschuwingdriehoek. De waarschuwingsteksten worden naar gelang hun gevarenniveau in afnemende volgorde weergegeven.

 GEVAAR
betekent dat het negeren van de betreffende veiligheidsmaatregelen dodelijk of zwaar lichamelijk letsel tot gevolg zal hebben .

 WAARSCHUWING
betekent dat het negeren van de betreffende veiligheidsmaatregelen dodelijk of zwaar lichamelijk letsel tot gevolg kan hebben .

 VOORZICHTIG
betekent dat het negeren van de betreffende veiligheidsmaatregelen licht lichamelijk letsel tot gevolg kan hebben.

LET OP
betekent dat het negeren van de betreffende veiligheidsmaatregelen materiële schade tot gevolg kan hebben.

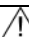
Wanneer er meerdere gevarenniveaus aanwezig zijn, wordt telkens de waarschuwing voor het hoogste gevarenniveau aangegeven. Wanneer bij een waarschuwingstekst met waarschuwingdriehoek geattendeerd wordt op lichamelijk letsel, dan is het mogelijk dat aan dezelfde waarschuwingstekst ook een waarschuwing voor materiële schade is toegevoegd.

Gekwalificeerd personeel

Het product/systeem dat bij deze documentatie behoort, mag uitsluitend worden gebruikt door voor de betreffende taak **gekwalificeerd personeel**, met inachtneming van de documentatie voor deze specifieke taak en met name van de daarin gegeven veiligheidsinstructies en waarschuwingen. Gekwalificeerd personeel is op basis van zijn opleiding en ervaring in staat om bij de omgang met deze producten/systemen de risico's te herkennen en mogelijke gevaren te voorkomen.

Reglementair gebruik van Siemens-producten

Het volgende dient in acht te worden genomen:

 WAARSCHUWING
Siemens-producten mogen enkel worden gebruikt voor de gebruiksdoeleinden die in de catalogus en in de bijhorende technische documentatie worden beschreven. Als producten en componenten van derden worden gebruikt, moeten deze door Siemens aanbevolen of goedgekeurd zijn. Een onberispelijke en veilige werking van de producten veronderstelt een vakkundig transport, alsook een vakkundige opslag, opstelling, montage, installatie, inbedrijfstelling, bediening en een vakkundig onderhoud. De toegelaten omgevingsvoorwaarden moeten worden nageleefd. De aanwijzingen in de bijhorende documentatie moeten in acht worden genomen.

1 Inleiding

1.1 Doeleinde van het document

Dit document bevat alle belangrijke gezondheids- en veiligheidsinformatie, die nodig is voor het veilige gebruik van het apparaat.

Voor de installatie en inbedrijfstelling van het apparaat moet de bedieningshandleiding van de elektronische gegevensdrager zorgvuldig worden doorgelezen.

1.2 Revisiegeschiedenis

De volgende tabel toont belangrijke veranderingen in the documentatie ten opzichte van de vorige editie.

Editie	Opmerkingen	FW-versie	HW-versie	EDD-versie	Revisie HART-apparaat
02 / 2017	<ul style="list-style-type: none">Eerste editie	1.00.00	01	<ul style="list-style-type: none">SIMATIC PDM stuurprogramma voor HART 1.00.00SIMATIC PDM stuurprogramma voor Modbus 1.00.00AMS stuurprogramma voor HART 1.00.00FC475 stuurprogramma voor HART 1.00.00DTM / FDT stuurprogramma voor HART 1.00.00	1

1.3 Beoogd gebruik

Gebruik het apparaat voor het meten van procesmedia conform de informatie in de bedieningshandleiding.

Opmerking

Gebruik in een huishoudelijke omgeving

Deze uitrusting van Klasse A Groep 1 is bedoeld voor gebruik in industriële omgevingen.

In een huishoudelijke omgeving kan dit apparaat radiostoringen veroorzaken.

1.4 Controle van de levering

1. Controleer de verpakking en de geleverde artikelen op zichtbare schade.
2. Meld alle schadeclaims direct bij de vervoerder.
3. Bewaar beschadigde onderdelen, totdat een en ander is opgelost.
4. Controleer de leveringsomvang door de bestelling met het verzenddocument op juistheid en volledigheid te vergelijken.



WAARSCHUWING

Gebruik van een beschadigd of onvolledig apparaat

Explosiegevaar in explosieve zones.

- Maak geen gebruik van beschadigde of incomplete apparaten.

1.5 Security-opmerkingen

Siemens biedt producten en oplossingen met industriële security-functies aan die de veilige werking van installaties, systemen, machines en netwerken ondersteunen.

Om installaties, systemen, machines en netwerken tegen cyber-bedreigingen te beschermen, is het noodzakelijk om een integraal industrieel veiligheidsconcept te implementeren (en het continu up-to-date te houden), dat voldoet aan de actuele stand van de techniek. De producten en oplossingen van Siemens vormen slechts een onderdeel van een dergelijk concept.

De klant is verantwoordelijk om een onbevoegde aanval op zijn installaties, systemen en machines te verhinderen. Systemen, machines en componenten mogen alleen met het bedrijfsnetwerk of het internet worden verbonden, wanneer en in zoverre het noodzakelijk is en de overeenkomstige beschermingsmaatregelen (vb. het gebruik van firewalls en netwerksegmenteringen) werden genomen.

Daarenboven moeten de aanbevelingen van Siemens voor overeenkomstige beschermingsmaatregelen in acht worden genomen. Meer informatie over Industrial Security vindt u op:

<http://www.siemens.com/industrialsecurity>

De producten en oplossingen van Siemens worden voortdurend verder ontwikkeld om ze nog veiliger te maken. Siemens adviseert uitdrukkelijk om de bijwerkingen uit te voeren van zodra de overeenkomstige updates ter beschikking staan en altijd alleen de laatste versies van de producten te gebruiken. Het gebruik van verouderde of niet meer ondersteunde versies kan het risico op cyber-bedreigingen verhogen.

Om steeds over de product-updates geïnformeerd te zijn, abonneer u op de Siemens Industrial Security RSS Feed op:

<http://www.siemens.com/industrialsecurity>

1.6 Transport en opslag

Om voldoende bescherming te bieden bij transport en opslag, moet u op het volgende letten:

- Bewaar de originele verpakking voor een volgend transport.
- Apparaten / vervangende onderdelen moet worden teruggestuurd in hun originele verpakking.
- Wanneer u de originele verpakking niet meer hebt, garandeer dan dat alle zendingen goed zijn verpakt zodat ze tijdens transport voldoende zijn beschermd. Siemens kan geen aansprakelijkheid aanvaarden voor enige kosten tengevolge van transportschade.

LET OP

Onvoldoende bescherming tijdens opslag

De verpakking biedt slechts beperkte bescherming tegen vocht en infiltratie.

- Indien nodig, moet u voor aanvullende verpakking zorgen.

Speciale voorschriften voor transport en opslag van het apparaat vindt u in Technische gegevens (Pagina 153).

1.7 Aanwijzingen voor garantie

De inhoud van deze handleiding vormt geen onderdeel van een vroegere of bestaande overeenkomst, toezegging of een vroegere of bestaande rechtsverhouding en is ook niet bedoeld om deze te wijzigen. Alle verplichtingen van Siemens AG blijken uit het desbetreffende koopcontract dat ook de volledige en uitsluitend geldige garantieregeling bevat. Deze overeengekomen garantiebepalingen worden in de handleiding niet uitgebreid of ingeperkt.

De inhoud weerspiegelt de technische stand op het moment van publicatie. Technische wijzigingen zijn in geval van verdere ontwikkelingen voorbehouden.


2 Opmerkingen betreffende veiligheid

2.1 Voorwaarden voor gebruik

Dit apparaat is uit de fabriek gekomen zonder veiligheidstechnische defecten. Om het in deze toestand te houden en om een veilig gebruik van het apparaat te garanderen, moet u zich aan deze handleiding en alle veiligheidsinformatie houden.

Leef alle aanwijzingen en symbolen op het apparaat na. Verwijder geen aanwijzingen en symbolen van het apparaat. Houd de aanwijzingen en symbolen steeds in volledig leesbare toestand.

2.1.1 Waarschuwingssymbolen op het apparaat

Symbol	Verklaring
	Bedieningshandleiding raadplegen

2.1.2 SIL notitie

Opmerking

Functionele veiligheidstoepassingen (SIL)

Wordt het apparaat in een functionele veiligheidstoepassing gebruikt, raadpleeg dan de handleiding voor functionele veiligheid.

2.1.3 Wetten en richtlijnen

Neem bij aansluiting, montage en bediening goed nota van de veiligheidsvoorschriften, richtlijnen en wetten die in uw land gelden. Deze omvatten bijvoorbeeld:

- National Electrical Code (NEC - NFPA 70) (USA)
- Canadian Electrical Code (CEC) (Canada)


Andere richtlijnen voor gebruik in gevaarlijke zones zijn bijvoorbeeld:

- IEC 60079-14 (internationaal)
- EN 60079-14 (EG)

De CE-markering op het apparaat symboliseert de naleving van de volgende Europese richtlijnen:

Elektromagnetische compatibiliteit EMC 2014/30/EU	Richtlijn van het Europese Parlement en van de Raad over de harmonisatie van de wetten van de Lidstaten ten aanzien van elektromagnetische compatibiliteit.
Laagspanningsrichtlijn LVD 2014/35/EU	Richtlijn van het Europese Parlement en van de Raad over de harmonisatie van de wetten van de Lidstaten ten aanzien van het beschikbaar maken van elektrische uitrusting voor gebruik binnen bepaalde spanningsgrenzen op de markt.
Atmosphère explosible ATEX 2014/34/EU	Richtlijn van het Europese Parlement en van de Raad inzake de harmonisatie van de wetgevingen van de Lidstaten betreffende uitrusting en beveiligingssystemen bedoeld voor gebruik op plaatsen waar ontploffingsgevaar kan heersen.

De toegepaste richtlijnen kunnen worden nagelezen in de EU-verklaring van naleving voor het betreffende apparaat.

 WAARSCHUWING
Onjuiste veranderingen aan het apparaat Door veranderingen aan het apparaat kan er gevaar ontstaan voor personeel, het systeem en de omgeving, met name in explosieve zones. <ul style="list-style-type: none">• Voer uitsluitend veranderingen door die beschreven staan in de instructies voor het apparaat. Wanneer men zich niet houdt aan deze vereiste, komen de garantie van de fabrikant en de vergunningen voor het product te vervallen.

2.2 Eisen voor speciale toepassingen

Vanwege het grote aantal mogelijke toepassingen, kan niet aan ieder detail van de beschreven apparaatversies voor ieder mogelijk scenario tijdens het in bedrijf nemen, bedienen, onderhouden of functioneren in systemen aandacht worden geschonken. Wanneer u aanvullende informatie nodig heeft die niet wordt geboden in deze handleiding, neem dan contact op met uw plaatselijke vestiging of bedrijfsvertegenwoordiger van Siemens.

Opmerking

Gebruik onder speciale omgevingscondities

We raden u zeer sterk aan contact op te nemen met uw Siemens vertegenwoordiger of onze afdeling voor toepassingsgebieden voordat u het apparaat onder speciale omgevingscondities gebruikt, bijvoorbeeld in kerncentrales of voor onderzoeks- en ontwikkelingsdoeleinden.

2.3 Gebruik in explosieve zones

Vakmensen voor toepassingen in Ex-bereiken

Personen die het apparaat in een explosieve zone installeren, aansluiten, in bedrijf stellen, bedienen en onderhouden, moeten over de volgende specifieke kwalificaties beschikken:

- Ze zijn bevoegd, opgeleid of getraind om apparaten en systemen volgens de veiligheidsbepalingen voor stroomcircuits, hoge drukken, agressieve en explosieve media te bedienen en te handhaven.
- Ze zijn bevoegd en opgeleid respectievelijk getraind om werkzaamheden aan elektrische circuits voor installaties waarbij explosiegevaar bestaat, uit te voeren.
- Ze zijn opgeleid respectievelijk getraind in het onderhouden en gebruiken van de juiste veiligheidsuitrusting volgens de geldende veiligheidsvoorschriften.



WAARSCHUWING

Gebruik in gevaarlijke omgevingen

Explosiegevaar.

- Gebruik uitsluitend uitrusting die is goedgekeurd voor gebruik in de beoogde explosieve zone en die van een overeenkomstige aanduiding is voorzien.



WAARSCHUWING

Verlies van veiligheid van apparaat met beveiligingstype "Intrinsieke veiligheid Ex i"

Als het apparaat al is gebruikt in niet intrinsiek veilige circuits of als de elektriciteitsspecificaties niet in acht zijn genomen, is de veiligheid van het apparaat niet langer gegarandeerd voor gebruik in explosieve zones. Er bestaat dan explosiegevaar.

- Sluit een apparaat van het beveiligingstype "Intrinsieke veiligheid" uitsluitend aan op een intrinsiek veilig circuit.
- Houd de specificaties aan voor wat betreft de elektrische data op het certificaat en/of in Technische gegevens (Pagina 153).

3 Installatie/montage

3.1 Algemene veiligheidsvoorschriften

VOORZICHTIG

Hete oppervlakken vanwege hete procesmedia

Gevaar van brandwonden vanwege oppervlaktetemperaturen boven 70 °C (155 °F).

- Neem geschikte beschermende maatregelen, bijvoorbeeld contactbescherming.
- Garandeer dat de beschermende maatregelen er niet toe leiden dat de maximaal toegestane omgevingstemperatuur wordt overschreden. Raadpleeg de informatie in Technische gegevens (Pagina 153).

WAARSCHUWING

Overschreden maximale omgevings- of procesmediatemperatuur

Explosiegevaar in explosieve zones.

Schade aan het apparaat.

- Garandeer dat de maximaal toegestane omgevings- en procesmediatemperatuur van het apparaat niet worden overschreden. Raadpleeg de informatie in Technische gegevens (Pagina 153).

WAARSCHUWING

Open kabelinvoeropening of onjuiste pakkingbus

Explosiegevaar in explosieve zones.

- Sluit de kabelinvoeropeningen voor elektrische verbindingen af. Gebruik uitsluitend pakkingbussen of kabelpluggen die zijn goedgekeurd voor het relevante type bescherming.

3.1.1 Eisen aan de installatielocatie

LET OP

Sterke trillingen

Schade aan het apparaat.

- In installaties met sterke trillingen moet u de transmitter in een omgeving met lage trillingen monteren.

VOORZICHTIG

Agressieve atmosferen

Schade aan het apparaat vanwege indringing van agressieve dampen.

- Garandeer dat het apparaat geschikt is voor de toepassing.

VOORZICHTIG

Direct zonlicht

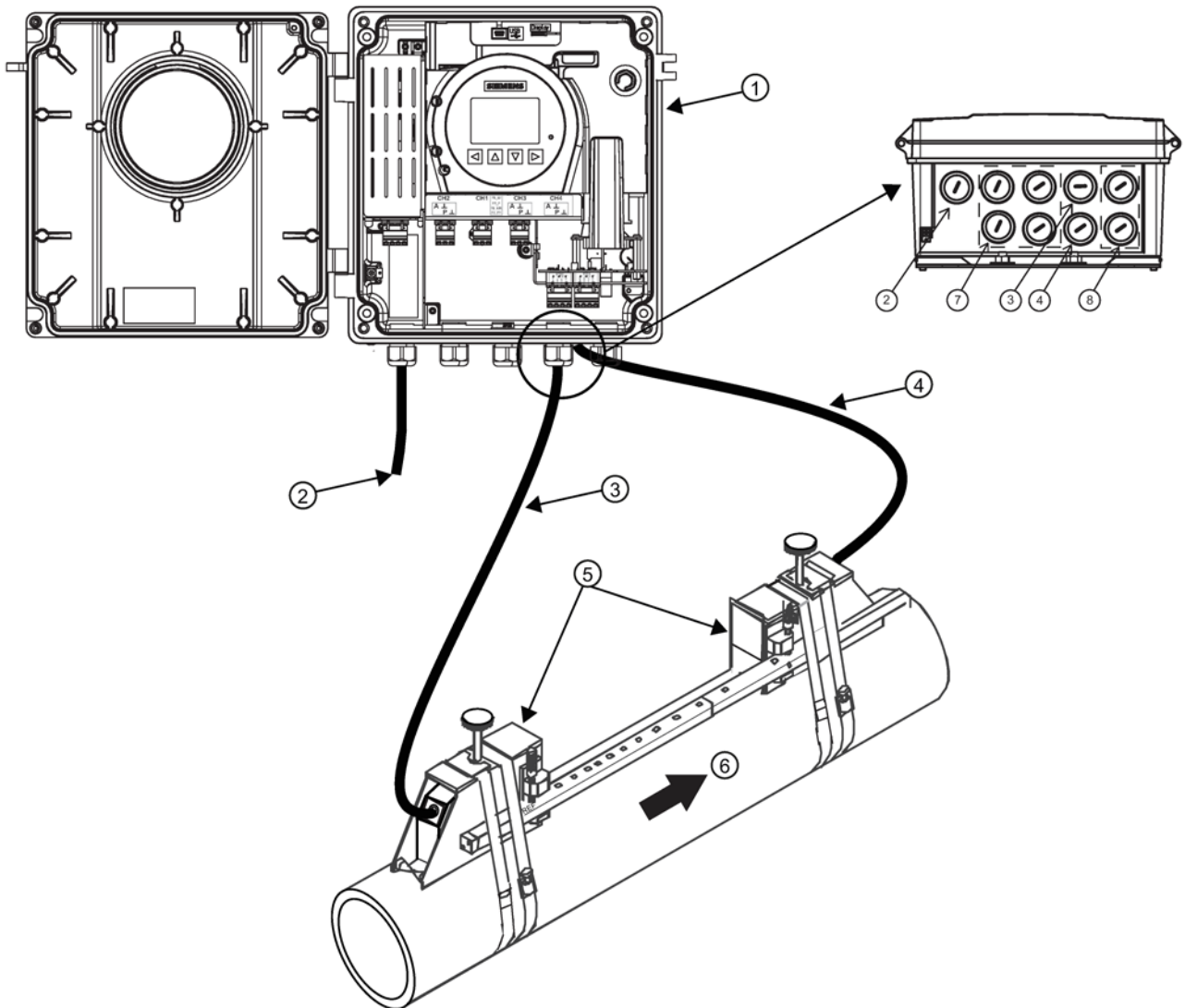
Schade aan het apparaat.

Het apparaat kan oververhit raken of de materialen kunnen bros worden vanwege blootstelling aan UV-licht.

- Bescherm het apparaat tegen direct zonlicht.
- Garandeer dat de maximaal toegestane omgevingstemperatuur niet wordt overschreden. Raadpleeg de informatie in Technische gegevens (Pagina 153).

Karakteristiek systeemoverzicht

Onderstaande afbeelding toont een flowmeterconfiguratie met karakteristieke transmitter en opklemsensor.



- ① Transmitter met wandmontage FST030
- ① Netsnoer
- ① Sensorsnoer stroomopwaarts (1A) pad 1
- ④ Sensorsnoer stroomafwaarts (1B) pad 1

- ① Sensors
- ⑥ Stromingsrichting
- ① Poorten voor I/O, communicatie, RTDs
- ① Pad 2 - stroomopwaarts (2A), stroomafwaarts (2B).
(Poorten voor pad 2 sensorkabels, indien van toepassing.)

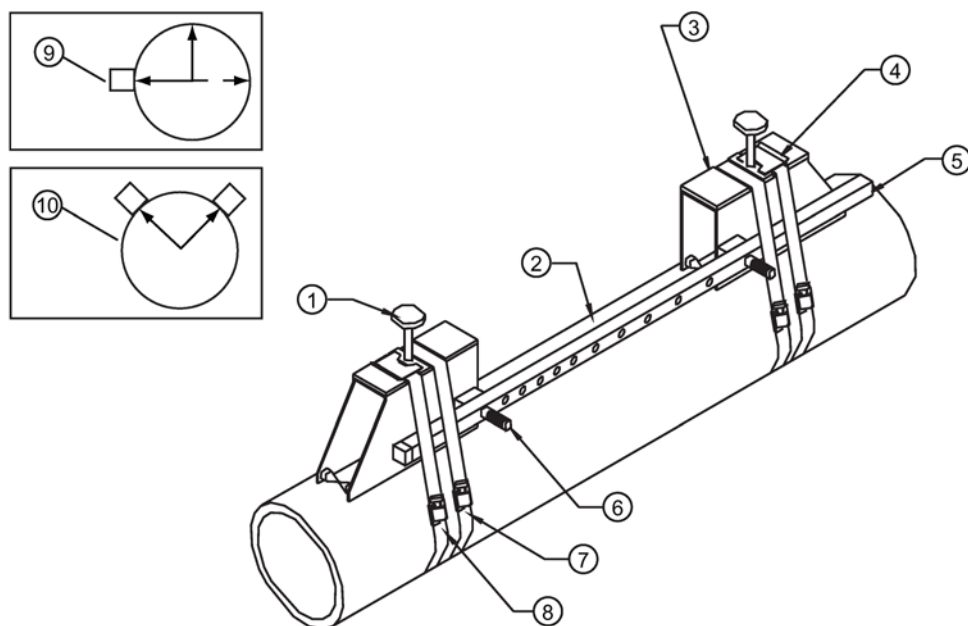
Afbeelding 3-1 Overzicht transmitter met wandmontage (reflecteermontage)

3.2 Sensors in reflecteermontage installeren

Reflecteermontage - sensorinstallatie met behulp van bevestigingsframes en afstandsstuk-balk

1. Gebruik de wizard instelprocedure om de meter te programmeren voor applicatieparameters zoals buisformaat, type vloeistof, en sensorformaat. Na het invoeren geeft de transmitter een afstandsvolnummer terug dat bij de toepassing past.
2. Met behulp van de verstrekte afstandsstuk-balk stelt u de afstand tussen de sensors in volgens het afstandsvolnummer dat de transmitter heeft geleverd. Het afstandsvolnummer geeft de correcte afstand los van de sensors op basis van het gegeven buisformaat.

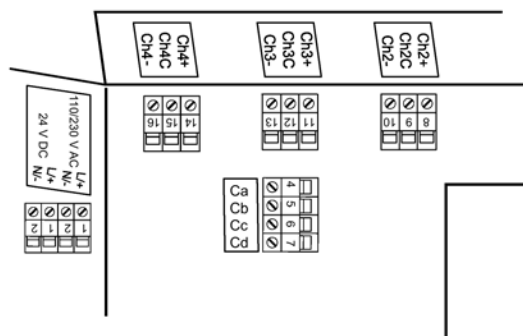
Voordat u verder gaat, moet u eerst het onderstaande installatiediagram van de reflecteermontage raadplegen.



- ① Sensor spanslot
- ① Buis klant
- ① 7ME39600*** Montageframe
- ④ Veerklem (niet aanwezig op sommige montageframemodellen)
- ① Afstandsstuk-balk
- ⑥ Pen afstandsstuk-balk en referentieboring
- ① Bindkabel
- ① Voor grotere buizen zijn misschien extra bindkabels nodig
- ① Oriëntatie voor eenwegsensoren op de 9 uur positie
- ① Oriëntatie voor tweewegsensoren op de 10 en 2 uur posities

Afbeelding 3-2 Reflecteermontage

3.3 Klemindeling




Afbeelding 3-3 Klemindeling - behuizing wandmontage

HW configuratie	SW configuratie	Klemmen															
		Stroomvoorziening			Kanaal 1			Kanaal 2			Kanaal 3			Kanaal 4			
		1	2	3	4	5	6	8	9	10	11	12	13	14	15	16	
Stroomvoorziening		L	N	⊕													
Kanaal 1 HART	Stroom uitgang HART				Actief		Passief										
Uitgang kanaal 2	Stroom, frequentie, puls en status						Actief		Passief								
Kanalen 3 en 4 Ingang / uitgang	Uitgangen: Stroom, frequentie, puls en status Ingangen: Digitaal en stroom									Actief		Actief					
Kanalen 3 en 4 Relais	Statusuitgang									Verbreekcontact		Verbreekcontact		Maakcontact			
										Maakcontact		Maakcontact					


Afbeelding 3-4 Overzicht aansluiting / configuratie (HART)

3.4 Onjuiste montage

LET OP
<p>Onjuiste montage</p> <p>Het apparaat kan beschadigd of vernietigd worden, of zijn werking kan verminderd worden wanneer u het niet correct monteert.</p> <ul style="list-style-type: none"> • Voordat u het installeert, moet u garanderen dat het apparaat geen zichtbare schade heeft. • Monteer het apparaat met behulp van het juiste gereedschap. Zie de bedieningshandleiding.

 VOORZICHTIG
<p>Verlies van beschermingsgraad</p> <p>Schade aan het apparaat wanneer de behuizing open is of niet juist is gesloten. De beschermingsgraad die wordt vermeld op het apparaatplaatje of in Technische gegevens (Pagina 153) is niet langer gegarandeerd.</p> <ul style="list-style-type: none"> • Garandeer dat het apparaat stevig is afgesloten.

3.5 Uit elkaar halen

 WAARSCHUWING
<p>Onjuiste demontage</p> <p>Onjuiste demontage kan resulteren in de volgende risico's:</p> <ul style="list-style-type: none"> - Letsel door elektrische schok - Risico door onderdompeling van media die zijn aangesloten op het proces - Explosiegevaar in explosieve zones <p>Neem voor een correcte demontage het volgende in acht:</p> <ul style="list-style-type: none"> • Controleer voorafgaand aan de werkzaamheden of u alle fysieke variabelen hebt uitgeschakeld, zoals druk, temperatuur, elektriciteit enz. of dat ze een onschadelijke waarde hebben. • Als het apparaat gevaarlijke media bevat, moet het voorafgaand aan de demontage worden leeggemaakt. Voorkom dat er media vrijkomen die schadelijk zijn voor het milieu. • Beveilig de overige aansluitingen, zodat er geen gevaar kan ontstaan wanneer het proces onbedoeld wordt gestart.

4 Aansluiten

4.1 Algemene veiligheidsvoorschriften

WAARSCHUWING

Ongeschikte kabels, kabelschroefverbindingen en/of pluggen

Explosiegevaar in explosieve zones.

- Gebruik uitsluitend kabelschroefverbindingen/pluggen die voldoen aan de voorschriften voor de betreffende beveiligingsklasse.
- Draai de kabelschroefverbindingen aan met de aandraaimomenten gespecificeerd in Transmitter (Pagina 144).
- Sluit de ongebruikte kabelinvoeren voor elektrische verbindingen.
- Wanneer u kabelschroefverbindingen vervangt, gebruik dan uitsluitend hetzelfde type kabelschroefverbinding.
- Controleer na het installeren dat de kabels stevig zijn bevestigd.

WAARSCHUWING

Gevaarlijke schakelspanning

Risico op elektrische schok bij onjuiste aansluiting.

- Voor de elektrische aansluiting raadpleegt u de informatie in Technische gegevens (Pagina 153).
- Leef op de montagelocatie van het apparaat de desbetreffende richtlijnen en wetten voor installatie van van elektrische vermogensinstallaties met nominale spanningen onder 1000 V na.

LET OP

Condensatie in het apparaat

Schade aan het apparaat door de vorming van condensatie indien het temperatuurverschil tussen transport of opslag en de locatie van opstelling 20 °C (36 °F) overschrijdt.

- Voordat u het apparaat in gebruik neemt, laat u het enkele uren acclimatiseren in de nieuwe omgeving.

WAARSCHUWING

Ontbrekende PE-/aardaansluiting

Risico op elektrische schok.

Afhankelijk van de apparaatversie, sluit u de voeding als volgt aan:

- **Stekker:** garandeer dat het gebruikte stopcontact een mogelijkheid voor een PE-/aardaansluiting heeft. Controleer dat de PE-/aardaansluiting van het stopcontact en stekker bij elkaar passen.
- **Aansluitingen:** sluit de aansluitpunten aan volgens het klemmenafdekkingsschema. Sluit eerst de PE-/aardgeleider aan.

LET OP

Omgevingstemperatuur te hoog

Schade aan kabelmantel.

- Gebruik bij een omgevingstemperatuur ≥ 60 °C (140 °F) hittebestendige kabels die geschikt zijn voor een omgevingstemperatuur die ten minste 20 °C (36 °F) hoger ligt.

WAARSCHUWING

Onjuiste voeding

Explosiegevaar in explosieve zones vanwege onjuiste voeding, bijvoorbeeld gelijkstroom in plaats van wisselstroom.

- Sluit het apparaat aan volgens de gespecificeerde voeding en signaalcircuits. De relevante specificaties kunt u vinden in de certificaten, in Technische gegevens (Pagina 153), of op het typeplaatje.

 **WAARSCHUWING**

Geen equipotentiaalverbinding

Explosiegevaar vanwege compensatie- of ontstekingsstromen door gebrek aan potentiaalvereffening.

- Garandeer dat de spanning van het apparaat is vereffend.

Uitzondering: eventueel kunt u de equipotentiaalverbinding achterwege laten voor apparaten met de beveiligingsklasse "Intrinsieke veiligheid Ex i".

 **WAARSCHUWING**

Onbeschermd kabeleinden

Explosiegevaar vanwege onbeschermd kabeleinden in explosieve zones.

- Bescherm ongebruikte kabeleinden conform IEC/EN 60079-14.

 **WAARSCHUWING**

Onjuiste plaatsing van afgeschermd kabels

Explosiegevaar vanwege compensatiestromen tussen explosieve zone en het veilige gedeelte.

- Afgeschermd kabels die door explosieve zones lopen, dienen slechts aan één kant geaard te zijn.
- Als een aarding aan beide einden vereist is, moet u gebruik maken van een equipotentiaalkabel.

 **WAARSCHUWING**

Onvoldoende isolatie van intrinsiek veilige circuits en niet-intrinsiek veilige circuits

Explosiegevaar in explosieve zones.

- Garandeer bij het aansluiten van intrinsiek veilige en niet-intrinsiek veilige circuits dat er voldoende isolatie wordt aangebracht conform lokale richtlijnen bijvoorbeeld IEC 60079-14.
- Zorg ervoor dat u de apparaatvergunningen in acht neemt die in uw land gelden.

 **WAARSCHUWING**

Het apparaat in aansluiten terwijl het is verbonden met de voeding

Explosiegevaar in explosieve zones.

- Sluit apparaten in explosieve zones uitsluitend aan terwijl ze niet zijn verbonden met de voeding.

Uitzonderingen:

- Apparaten met de beveiligingsklasse "Intrinsieke veiligheid Ex i" kunnen ook in onder spanning staande toestand in explosieve zones worden aangesloten.
- Uitzonderingen voor de beveiligingsklasse "Niet-vonkend nA" (Zone 2) worden geregeld in het relevante certificaat.

Opmerking

Elektromagnetische compatibiliteit (EMC)

U kunt dit apparaat in industriële omgevingen, huishoudens en kleine bedrijven gebruiken.

Voor metalen behuizingen is er een hogere elektromagnetische compatibiliteit vergeleken met hoogfrequente straling. U kunt de bescherming vergroten door de behuizing te aarden, zie Technische gegevens (Pagina 153).

Opmerking

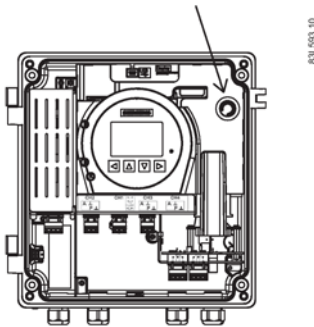
De stoorbestendigheid verhogen

- Leg signaalkabels gescheiden van kabels met spanningen > 60 V.
 - Gebruik kabels met gevlochten draden.
 - Houd apparaat en kabels op afstand tot sterke elektromagnetische velden.
 - Gebruik afgeschermd kabels om de volledige specificatie volgens HART te garanderen.
 - Sluit een belastingweerstand van minstens 230 Ω in serie in het signaalcircuit aan om storingsvrije HART-communicatie te garanderen. Wanneer voedingisolatoren worden gebruikt voor SITRANS HART-transmitters, is reeds een belastingweerstand geïnstalleerd in het apparaat.
-

4.2 Transmitter

Vorbereiding voor de aansluiting

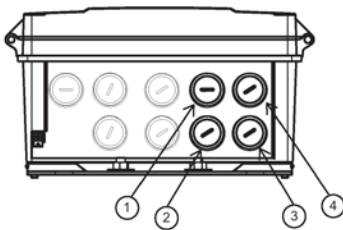
1. Draai de vier schroeven van de klep los.
2. Open de klep.
3. Verwijder de F-connector tool van behuizing voor wandmontage.



Afbeelding 4-1 Locatie F-connector tool

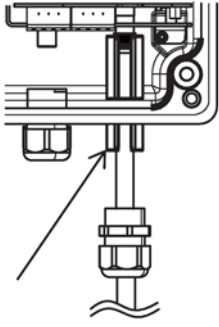
Aansluiten van de stromingssensorsnoeren

Opdat het systeem functioneert, moeten de sensorsnoeren bij het aansluiten van de sensors juist worden aangesloten. Beide sensorsnoeren voor elk pad moeten worden verbonden met dezelfde poortnummers (1A en 1B of 2A en 2B) op de transmitter.



De sensorsnoeren worden geleverd met een voorgemonteerde F-connector aan het uiteinde van de transmitter.

1. Verwijder de blindplug van behuizing voor wandmontage.
2. Schuif de wartel terug over het snoer en zorg dat de F-connector tool toegang heeft.
3. Plaats de F-connector tool om het snoer en schuif verder naar de F-connector moer.
4. Druk het snoer door de opening van de wartel. Zorg ervoor dat de middenpen is aangesloten aan de connector-poort in de transmitter.
5. Draai de F-connector vast met behulp van de F-connector tool totdat hij vastzit.



6. Verwijder de F-connector tool.

7. Plaats de wartel en draai hem vast.

Herhaal deze stappen voor elk sensorsnoer.

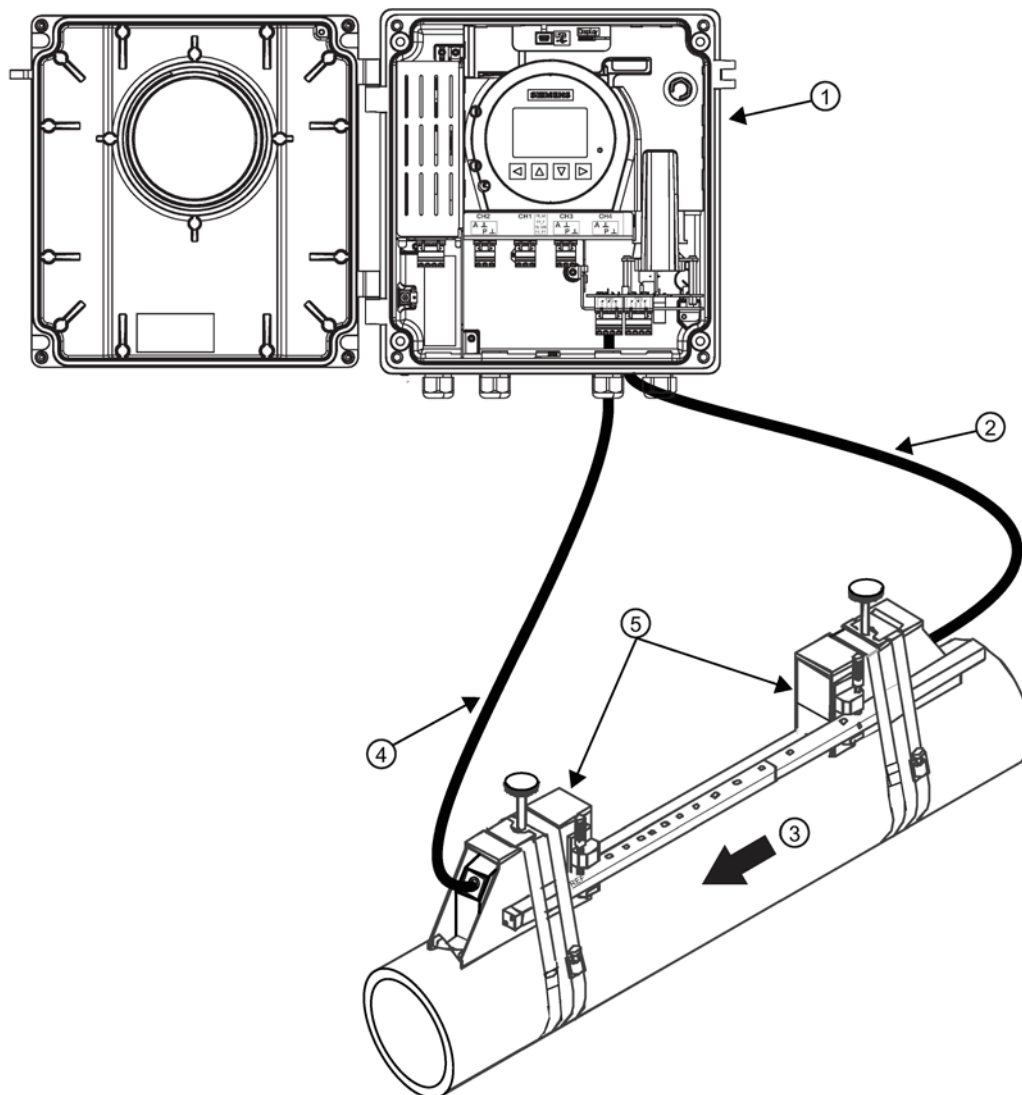
4.3 Wandmontage

Opmerking

Het volgende voorbeeld is weergegeven in de sensorconfiguratie reflecteermontage.

Sluit de sensorsnoeren als volgt aan op de wandgemonteerde transmitter:

1. Vul voor het aansluiten het uiteinde van de connector met Super Lube.
2. Doe Super Lube op de binnendraden aan het grote uiteinde van de draadconnector.
3. Sluit het stroomopwaartse sensorsnoer ② aan op de transmitterpoort (1A), terwijl u de stroomopwaartse en -afwaartse uitrichting ③ in acht neemt, en zorg dat hij goed zit.
4. Sluit het stroomafwaartse sensorsnoer ② aan op de transmitterpoort (1B) en zorg dat hij goed zit.



- | | |
|---|---|
| ① Wandgemonteerde transmitter | ④ Sensorsnoer stroomafwaarts (1B) pad 1 |
| ① Sensorsnoer stroomopwaarts (1A) pad 1 | ① Sensors |
| ① Stromingsrichting | |

Afbeelding 4-2 Behuizing voor wandmontage met transmitter-naar-sensorsnoer-aansluitingen

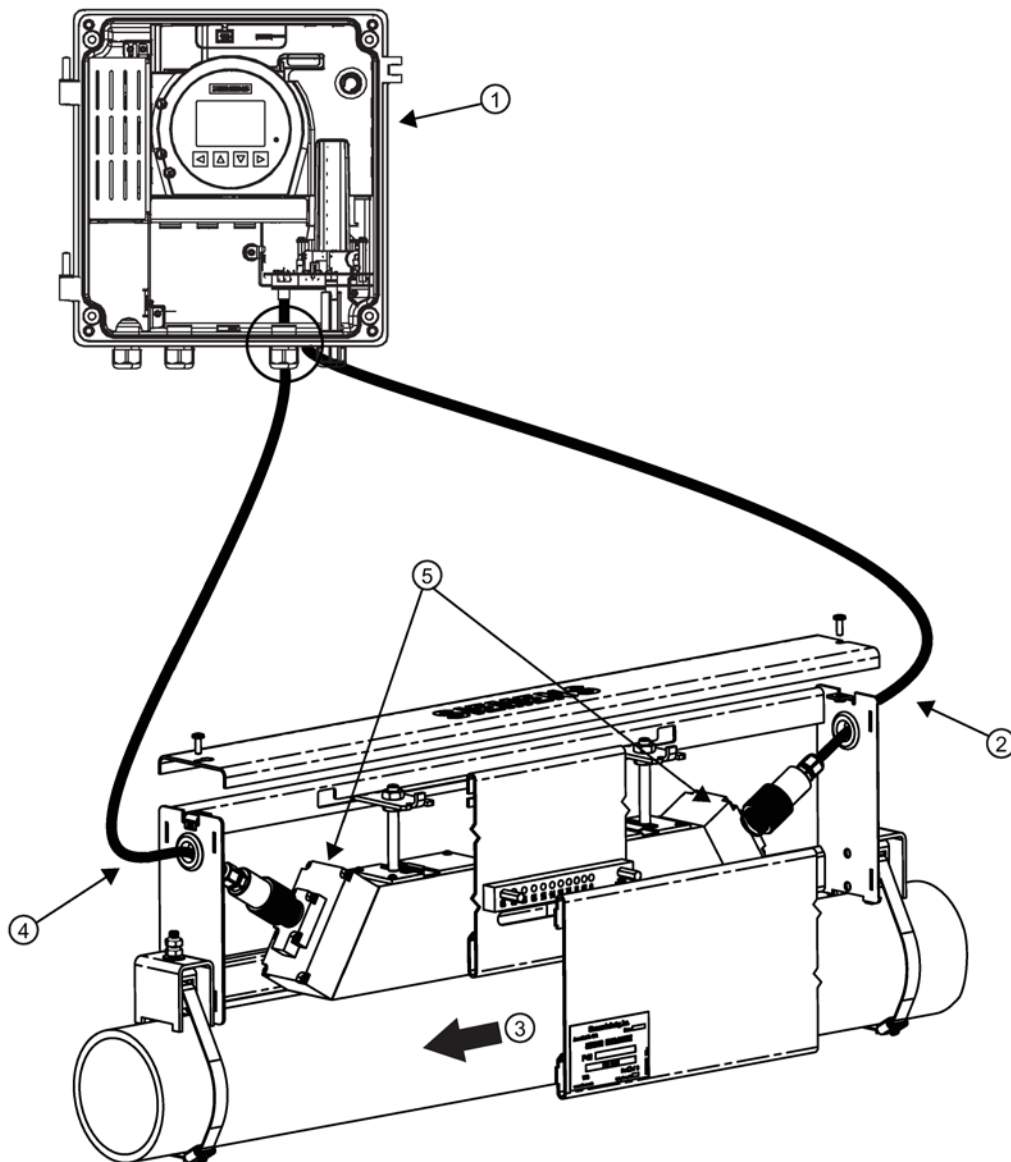
5. Draai alle wartels aan voor een optimale afdichting.
6. Zie de gebruikshandleiding van de transmitter FST030 om de transmitter te programmeren.

4.4 Hi Precision montage

Single behuizing bedrading reflecteermontage

Sluit de sensorsnoeren als volgt aan op de transmitter:

1. Vul voor het aansluiten het uiteinde van de connector met Super Lube.
2. Doe Super Lube op de binnendraden aan het grote uiteinde van de draadconnector.
3. Sluit het stroomopwaartse sensorsnoer ② aan op de transmitterpoort (1A), terwijl u de stroomopwaartse en -afwaartse uitrichting ③ in acht neemt, en zorg dat hij goed zit.
4. Sluit het stroomafwaartse sensorsnoer ④ aan op de transmitterpoort (1B) en zorg dat hij goed zit.



- | | |
|--|---|
| ① Wandgemonteerde transmitter | ① Stromingsrichting |
| ① Sensorsnoer stroomopwaarts naar interne DSL poort (1A) pad 1 | ④ Sensorsnoer stroomafwaarts naar transmitterpoort (1B) pad 1 |
| | ① Hi Precision gemonteerde sensors |

Abbeelding 4-3 Hi Precision reflecteermontage bedrading single behuizing

5. Draai alle wartels aan voor een optimale afdichting.

Dual behuizing bedrading reflecteermontage

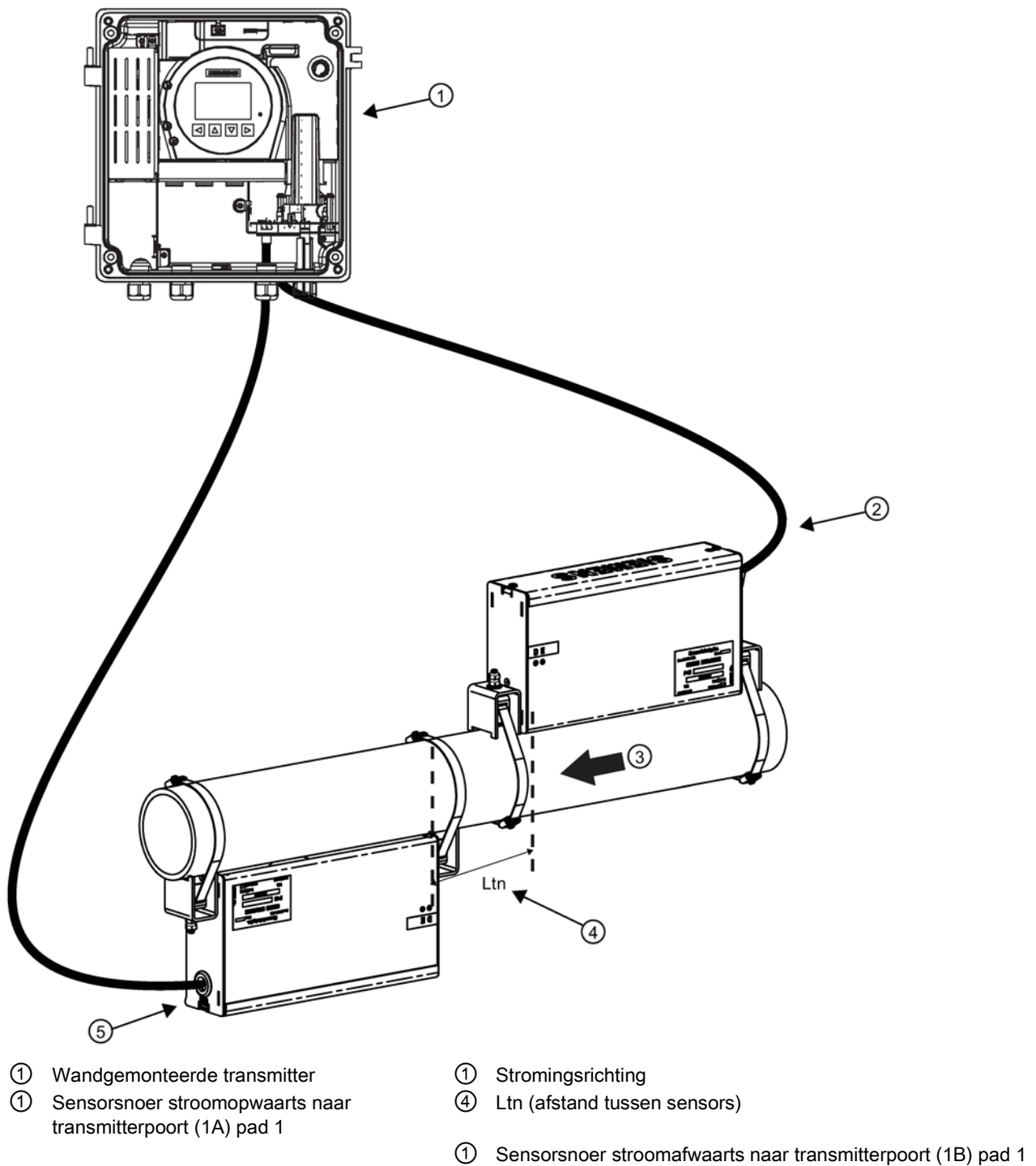
Zie de afbeelding hierboven bij de Hi Precision single behuizing reflecteermontage en sluit als volgt de sensorsnoeren van de Hi Precision reflecteermontage dual behuizing aan op de transmitterpoorten:

1. Sluit de sensorsnoeren aan op de transmitterpoorten, terwijl u de stroomopwaartse en -afwaartse uitrichting ③ in acht neemt.
2. Draai alle wartels aan voor een optimale afdichting.
3. Zie de gebruikshandleiding van de transmitter FST030 om de transmitter te programmeren.

Dual behuizing bedrading directe montage

Sluit de sensorsnoeren als volgt aan op DSL en de transmitter:

1. Vul voor het aansluiten het uiteinde van de connector met Super Lube.
2. Doe Super Lube op de binnendraden aan het grote uiteinde van de draadconnector.
3. Sluit het stroomopwaartse sensorsnoer ② aan op de transmitterpoort (1A), terwijl u de stroomopwaartse en -afwaartse uitrichting ③ in acht neemt, en zorg dat hij goed zit.
4. Sluit het stroomafwaartse sensorsnoer ⑤ aan op de transmitterpoort (1B) en zorg dat hij goed zit.



Afbeelding 4-4 Hi Precision directe montage dual behuizing sensorbedrading

5. Draai alle wartels aan voor een optimale afdichting.
6. Zie de gebruikshandleiding van de transmitter FST030 om de transmitter te programmeren.

5 In bedrijf nemen

5.1 Algemene veiligheidsvoorschriften

5.1.1 Toxische gassen en vloeistoffen



GEVAAR

Toxische gassen en vloeistoffen

Vergiftigingsgevaar wanneer het apparaat wordt geventileerd: als er giftige procesmedia gemeten worden, kunnen er giftige gassen en vloeistoffen ontsnappen.

- Zorg ervoor dat er voor het ontlichten geen giftige gassen of vloeistoffen in het apparaat zijn of neem adequate veiligheidsmaatregelen.



WAARSCHUWING

In bedrijf nemen en gebruiken met niet-verholpen fout

Wanneer een foutmelding verschijnt, is de correcte werking in het proces niet langer gegarandeerd.

- Ga de ernst van de fout na.
- Corrigeer de fout.
- Als de fout nog bestaat:
 - Neem het uit bedrijf.
 - Verhinder dat het opnieuw in bedrijf wordt genomen.

5.1.2 Onjuiste inbedrijfneming in explosieve zones



WAARSCHUWING

Onjuiste inbedrijfneming in explosieve zones

Apparaatuitval of explosiegevaar in explosieve zones.

- Neem het apparaat niet in bedrijf tot het geheel is gemonteerd en aangesloten conform de informatie in Technische gegevens (Pagina 153).
- Voordat u het in bedrijf neemt, moet u rekening houden met de invloed op andere apparaten in het systeem.

5.1.3 Het apparaat openen terwijl het is verbonden met de voeding



VOORZICHTIG

Verlies van beschermingsgraad

Schade aan het apparaat wanneer de behuizing open is of niet juist is gesloten. De beschermingsgraad die wordt vermeld op het apparaatplaatje of in Technische gegevens (Pagina 153) is niet langer gegarandeerd.

- Garandeer dat het apparaat stevig is afgesloten.



WAARSCHUWING

Gevaarlijke schakelspanning


Letselgevaar vanwege gevaarlijke contactspanning wanneer het apparaat open is of niet volledig gesloten.

De beschermingsgraad die wordt vermeld op het apparaatplaatje of in Technische gegevens (Pagina 153) is niet langer gegarandeerd wanneer het apparaat open is of niet correct afgesloten.


- Garandeer dat het apparaat stevig is afgesloten.

5.1.4 Explosiegevaar bij meetstoffen hoger dan 100 °C die door de drukkappen stromen

 WAARSCHUWING
Explosiegevaar bij meetstoffen hoger dan 100 °C die door de drukkappen stromen De explosiebeveiliging is niet meer gewaarborgd en de vergunning vervalt. Een meetstof hoger dan 100 °C mag niet bedrijfsmatig door de drukkappen stromen.

 WAARSCHUWING
Een lagere explosiebeveiliging Explosiegevaar in explosieve zones wanneer het apparaat open is of niet juist is gesloten. <ul style="list-style-type: none">• Sluit het apparaat zoals beschreven in Aansluiten (Pagina 142).

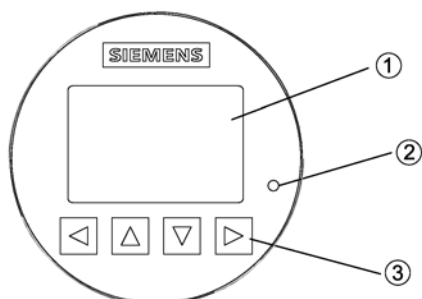
5.1.5 Hete oppervlakken

 WAARSCHUWING
Hete oppervlakken Risico op brandwonden vanwege hete oppervlakken. <ul style="list-style-type: none">• Neem gepaste beschermende maatregelen, bijvoorbeeld door veiligheidshandschoenen te dragen.

5.2 Locaal display

Het apparaat is voorzien van/wordt bediend met een touch keypad op het locale display.

De elementen worden bediend door op het glazen paneel op de desbetreffende toets te drukken. Harder drukken helpt niet om de toets te activeren, maar het gebruik van uw duim in plaats van een vinger wel. Het tekst-display boven de bedieningselementen biedt een menugestuurde bediening van de individuele functie/parameters van het apparaat. De kleine groene led rechts naast het display brandt als een toets succesvol is bediend.



- ① Volledig grafisch display
- ① Led (voor indicatie van toetsbediening)
- ① Touch keypad

Afbeelding 5-1 Locaal display

Opmerking

(Her)kalibratie van het toetsenbord

Als de de klep is gesloten, worden alle toetsen ge(her)kalibreerd (< 5 seconden). Tijdens de (her)kalibratie brandt de led en kunnen de toetsen niet worden bediend.

Als één van de toetsen langer dan 10 seconden wordt gedrukt, begint de (her)kalibratie van deze toets, wat minder dan 10 seconden duurt. Laat de toets los om verder te bedienen.

Opmerking

HMI-tijdsoverschrijding

Als er 10 minuten lang geen toets is gedrukt, schakelt het display over naar de besturingsweergave. Als de achtergrondverlichting is ingesteld op automatisch, schakelt de achtergrondverlichting 30 seconden na het laatste drukken van een toets automatisch uit.

Opmerking

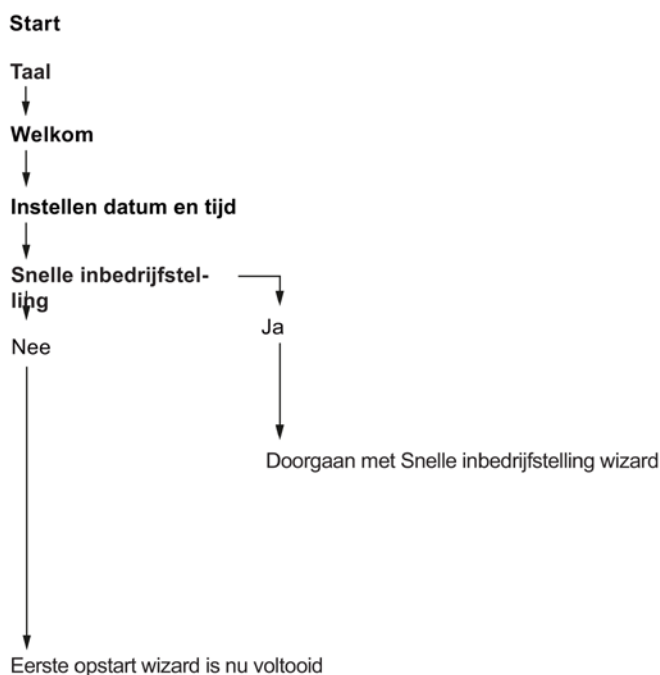
Het apparaat hoeft niet te worden geopend om te bedienen. Dit betekent dat het veiligheidstype IP67 en veiligheid in gevaarlijke omgevingen te allen tijd zijn gewaarborgd.

5.3 Eerste opstarten

De eerste keer dat het apparaat wordt gestart, wordt u gevraagd om de taal in te stellen. Bij het starten is het apparaat altijd ingesteld Language in het Engels. Zodra de taal is ingesteld, wordt u gevraagd om de datum en tijd in te stellen.

Voordat de massadebietmeter voor het eerst wordt gebruikt, moeten essentiële parameters worden overwogen. Na het bevestigen/wijzigen van de datum en tijd kunt u kiezen om de standaardwaarden over te nemen of om de Snelle inbedrijfstelling wizard te starten.

U wordt gevraagd of u de Snelle inbedrijfstelling wizard wilt starten. Als u Ja kiest (aanbevolen), start de Snelle inbedrijfstelling wizard. Als u Nee kiest, accepteert u de standaardwaarden van het apparaat en de volgende HMI-weergave is besturingsweergave 1.



Tekst

Taal

Welkom

Datum en tijd instellen

Snelle inbedrijfstelling

Opties/beschrijving

Taal instellen: English, Deutsch, Français, Italiano, Español, 汉语

Informatie over de Snelle inbedrijfstelling wizard

De ingestelde datum en tijd (realtime klok) worden gebruikt voor alle tijdstempels van opgeslagen informatie

De Snelle inbedrijfstelling wizard de belangrijkste parameters/menu's voor een snelle configuratie van de massadebietmeter

6 Technische gegevens

6.1 Voeding

Tabel 6-1 Stroomvoorziening

Beschrijving	Specificatie
Voedingspanning	<ul style="list-style-type: none">100 tot 240 V AC +10/-10%, 47 tot 63 Hz20 tot 27 V DC +10/-10%
Stroomverbruik	15 VA/7,5 W
Schommeling	<ul style="list-style-type: none">Kortstondige overspanning tot aan de niveaus van overspanningscategorie IITijdelijke overspanningen die alleen op de netvoeding voorkomen
Polariteitsinversiebeveiliging (j/n)	J
Galvanische scheiding	3000 V AC

6.2 HART-interface

Tabel 6-2 HART-communicatie

Beschrijving	Specificatie
HART-revisie	7.5
Ondersteunde Device Managers	SIMATIC PDM V8.2 SP1 of nieuwer
Ondersteunde Device Description (EDD)	V1.00.00

6.3 Bedrijfsomstandigheden

Tabel 6-3 Basisvoorwaarden

Beschrijving		Specificatie
Omgevingstemperatuur (luchtvochtigheid max. 90%)	Bedrijf: Transmitter zonder display Display	-40 tot +60 °C (-40 tot +140 °F) -20 tot +60 °C (-4 tot +140 °F)
Omgevingstemperatuur (luchtvochtigheid max. 90%)	Opslag:	-40 tot +70 °C (-40 tot +158 °F)
Klimaatklasse		DIN 60721-3-4
Hoogte		t/m 2000 m (6560 ft)
Relatieve luchtvochtigheid		95%
Stootbestendig		Op aanvraag
Schokbestendig		Op aanvraag
Thermische schok		Op aanvraag
Trilbestendig		Op aanvraag
EMC-prestatie	<ul style="list-style-type: none">UitstootImmunititeit	<ul style="list-style-type: none">EN 55011 / CISPR-11EN/IEC 61326-1 (Industry) NAMUR NE 21

Tabel 6-4 Procesmedium-omstandigheden

Beschrijving	Specificatie
Temperatuur procesmedium (T _s) (min. tot max.)	-50 tot +200 °C (-58 tot 492 °F)
Dichtheid procesmedium (min. tot max.)	1 tot 5000 kg/m ³ (0,06 tot 312 lb/ft ³)
Relatieve druk procesmedium (min. tot max.)	0 tot 160 bar (0 tot 2321 psi)
Absolute druk procesmedium (min. tot max.)	Roestvrij staal: 1 tot 101 bar (14,5 tot 1465 psi) Hastelloy: 1 tot 161 bar (14,5 tot 2335 psi)
Viscositeit procesmedium	Gassen en onsamendrukbare vloeistoffen

7 Service en onderhoud

7.1 Algemene veiligheidsvoorschriften

Opmerking

Het apparaat is onderhoudsvrij.

7.1.1 Onderhoud

Het apparaat is onderhoudsvrij. Desondanks moet er een regelmatige inspectie volgens geldende richtlijnen en voorschriften worden doorgevoerd.

Een inspectie omvat mogelijk de controle op:

- omgevingscondities
- Goede afdichting van de procesaansluitingen, kabelingangen en dekselschroeven
- betrouwbaarheid van voeding, bliksembeveiliging en aarding

LET OP

Reparatie en onderhoud mogen alleen worden uitgevoerd door vakmensen die door Siemens zijn gemachtigd.

Opmerking

Siemens definieert debietmeters als irrepareerbare producten.



WAARSCHUWING

Ontoelaatbare reparatie en onderhoud van het apparaat

- Reparatie en onderhoud mag uitsluitend plaatsvinden door bevoegde Siemens werknemers.



WAARSCHUWING

Stoflagen van meer dan 5 mm dik

Explosiegevaar in explosieve zones.

Apparaat kan oververhit raken door ophoping van stof.

- Verwijder stoflagen van meer dan 5 mm.

LET OP

Vocht dat het apparaat binnendringt

Schade aan het apparaat.

- Garandeer bij het verrichten van reinigings- en onderhoudswerkzaamheden dat er geen vocht het apparaat binnendringt.



VOORZICHTIG

Knopslot vrijgeven

Onjuiste verandering van parameters kan de procesveiligheid beïnvloeden.

- Garandeer dat uitsluitend bevoegd personeel het knopslot van apparaten voor veiligheidsgerelateerde toepassingen mag annuleren.

7.2 Reinigen

De behuizing reinigen

- Reinig de buitenzijde van de behuizing en het scherm met behulp van een doek die nat is gemaakt met water of een mild reinigingsmiddel.

- Gebruik geen agressieve reinigingsmiddelen of oplosmiddelen. Kunststof onderdelen of geverfde oppervlakken kunnen beschadigd raken. De opschriften kunnen onleesbaar worden.

 **WAARSCHUWING**

Elektrostatische lading

Explosiegevaar in explosieve zones als een elektrostatische lading ontstaat, bijv. bij het reinigen van plastic oppervlakken met een droge doek.

- Vermijd elektrostatische oplading in explosieve zones.

7.3 Onderhouds- en reparatiewerkzaamheden

 **WAARSCHUWING**

Onderhoud tijdens continu gebruik in explosieve zones

Er bestaat explosiegevaar wanneer u reparaties of onderhoud aan het apparaat uitvoert in explosieve zones.

- Maak het apparaat los van de voeding.
- of -
- Garandeer dat de atmosfeer explosievrij is (vergunning voor "warme" werkzaamheden).

 **WAARSCHUWING**

Ontoelaatbare accessoires en reserveonderdelen

Explosiegevaar in gebieden die explosief kunnen zijn.

- Gebruik uitsluitend originele accessoires of originele reserveonderdelen.
- Leef alle relevant installatie- en veiligheidsvoorschriften na die zijn beschreven in de handleiding voor het apparaat of die zijn bijgevoegd bij het accessoire of het onderdeel.

 **WAARSCHUWING**

Vochtige omgeving

Risico op elektrische schok.

- Werk niet aan het apparaat wanneer het onder stroom staat.
- Wanneer u aan een apparaat werkt dat onder stroom staat, garandeer dan dat de omgeving droog is.
- Garandeer bij het verrichten van reinigings- en onderhoudswerkzaamheden dat er geen vocht het apparaat binnendringt.

 **VOORZICHTIG**

Hete oppervlakken

Risico op brandwonden tijdens onderhoudswerkzaamheden aan onderdelen met oppervlaktetemperaturen boven 70 °C (158 °F).

- Neem gepaste beschermende maatregelen, bijvoorbeeld door veiligheidshandschoenen te dragen.
- Na het verrichten van onderhoud, moet u de voorzieningen voor contactbescherming weer monteren.

WAARSCHUWING

Behuizing open

Explosiegevaar in explosieve zones vanwege hete componenten en/of geladen condensatoren binnen het apparaat.
Om het apparaat in een explosieve zone te openen:

1. Maak het apparaat los van de voeding.
2. Neem de wachttijd in acht die is vermeld in het Technische gegevens (Pagina 153) of op het waarschuwingsteken, voordat u het apparaat opent.
3. Inspecteer de sensoringang en -uitgang visueel.

Uitzondering: Alleen apparaten met het type "Intrinsic safety Ex i" mogen onder spanning worden geopend in explosieve zones.

WAARSCHUWING

Onjuiste aansluiting na onderhoud

Explosiegevaar in gebieden die explosief kunnen zijn.

- Sluit het apparaat na onderhoud correct aan.
- Sluit het apparaat na onderhoud.

Zie Aansluiten (Pagina 142).

7.4 Retourprocedure

Doe de vrachtbrief, retourdocument en ontsmetingscertificaat in een goed doorzichtige plastic tas en bevestig deze stevig aan de buitenzijde van de verpakking.

Vereiste formulieren

- Afleverbrief
- Begeleidingsformulier retourartikelen (<http://www.siemens.com/processinstrumentation/returngoodsnote>) met de volgende informatie:
 - Product (beschrijving van het onderdeel)
 - Aantal retourgestuurde apparaten / vervangende onderdelen
 - Reden voor het retoursturen van het onderdeel / de onderdelen

- Decontaminatieverklaring (<http://www.siemens.com/sc/declarationofdecontamination>)

Met deze verklaring garandeert u "dat het apparaat / de vervangende onderdelen zorgvuldig zijn gereinigd en zijn ontdaan van resten. Het apparaat / vervangend onderdeel vormt geen gevaar voor mensen en het milieu."

Wanneer het retourgestuurde apparaat / vervangend onderdeel in contact is geweest met giftige, corrosieve, ontbrandbare of watervervuilende stoffen, moet u het grondig reinigen en het ontsmetten voordat u het retour stuurt, om te garanderen dat alle holle gedeelten vrij zijn van gevaarlijke stoffen. Controleer het onderdeel nadat het is gereinigd.

Alle apparaten / vervangende onderdelen die retour worden gestuurd zonder ontsmettingsverklaring, worden op uw kosten gereinigd voordat ze verder worden behandeld.

7.5 Verwijdering



De in deze handleiding beschreven apparaten moeten worden gerecycled. U mag ze niet afvoeren via de gebruikelijke vuilnisophaaldienst, volgens Richtlijn 2012/19/EG voor afval van elektronica en elektrische apparatuur (WEEE = Waste Electronic and Electrical Equipment).

Voor een milieuvriendelijke recycling kunt u apparaten retoursturen aan de leverancier binnen de EG of aan een plaatselijke goedgekeurde afvaldienst. Leef de specifieke nationale voorschriften na.

Meer informatie over apparaten met batterijen vindt u onder: Informatie over batterij / retoursturen product (WEEE) (<https://support.industry.siemens.com/cs/document/109479891/>)

A Bijlage A

Technische Support

Indien deze documentatie geen volledige antwoorden biedt op alle technische vragen die u hebt, neem dan contact op met de Technische Ondersteuning, op:

- Aanvraag Support (<http://www.siemens.com/automation/support-request>)
- Meer informatie omtrent onze Technische Ondersteuning is beschikbaar op Technische Support (<http://www.siemens.com/automation/csi/service>)

Internetservice & -ondersteuning

Aanvullend op onze documentatie biedt Siemens een omvattende ondersteuningsoplossing op:

- Services&Support (<http://www.siemens.com/automation/service&support>)

Contactpersoon

Hebt u bijkomende vragen omtrent het apparaat, gelieve dan met uw plaatselijke Siemens-vertegenwoordiger contact op te nemen op:

- Partner (<http://www.automation.siemens.com/partner>)

Om de contactpersoon voor uw product te vinden, selecteert u onder 'Alle Producten en Sectoren' het pad 'Automatiseringstechniek > Sensorsystemen'.

Documentatie

Documentatie over verschillende producten en systemen is te vinden op:

- Instructies en handleidingen Handleidingen (<http://www.siemens.com/processinstrumentation/documentation>)

A.1 Certificaten

U kunt certificaten vinden op het internet op Certificaten (<http://www.siemens.com/processinstrumentation/certificates>) of op de bijgevoegde dvd.

Waarmerk

Alle benamingen die zijn voorzien van het symbool ®, zijn geregistreerde merken van de Siemens AG. De overige benamingen in dit document kunnen merken zijn waarvan het gebruik door derden voor eigen doeleinden de rechten van de eigenaar kan schenden.

Ontheffing van aansprakelijkheid

De inhoud van dit drukwerk hebben wij gecontroleerd op overeenstemming met de omschreven hard- en software. Desondanks zijn afwijkingen niet uitgesloten, waardoor wij niet garant staan voor de complete overeenstemming. De gegevens in dit drukwerk worden regelmatig gecontroleerd en noodzakelijke correcties zijn opgenomen in de volgende oplagen.

Siemens AG
Division Process Industries and Drives
Postfach 48 48
90026 NÜRNBERG
DUITSLAND

SITRANS FS230
A5E38755607, 02/2017

For more information

www.siemens.com/flow

Siemens AG
Process Industries and Drives
Process Automation
76181 Karlsruhe
GERMANY

Subject to change without prior notice
Order No.: A5E38755607
Lit. No.: A5E38755607-AA
© Siemens AG 02.2017



www.siemens.com/processautomation

FINE CONTROLS (UK) LTD



Fine Controls have been supplying process controls & instrumentation equipment since 1994, & now serves an ever expanding customer base, both in the UK & globally.

We offer a full range of valve & instrumentation products & services, with our product range representing leading technologies & brands:

Flow: Flow Meters & Transmitters, Flow Switches, Flow Control Valves & Batch Control Systems

Temperature: Temperature Probes & Thermowells, Temperature transmitters, Temperature Regulators & Temperature Displays

Level: Level Transmitters & Switches

Pressure: Pressure Gauges & Transmitters, Precision & High Pressure Regulators & I-P Converters, Volume boosters.

Precision Pneumatics: Pressure Regulators, I-P Converters, Volume Boosters, Vacuum Regulators

Valves: Solenoid & Pneumatic Valves, Control Valves & Positioners, Actuated Ball, Globe or Diaphragm Valves & Isolation Valves

Services: Repair, Calibration, Panel Build, System Design & Commissioning

A rotork® Brand
FAIRCHILD



bürkert



SIEMENS



alcon
SOLENOID VALVES

A rotork® Brand



MIDLAND-ACS
A rotork® Brand



Honeywell



Bourdon
Baumer Group



SOLDO
CONTROLS

A rotork® Brand



Fine Controls (UK) LTD, Bassendale Road, Croft Business Park,
Bromborough, Wirral, CH62 3QL UK
Tel: 0151 343 9966
Email: sales@finecontrols.com