

FINE CONTROLS (UK) LTD



Fine Controls have been supplying process controls & instrumentation equipment since 1994, & now serves an ever expanding customer base, both in the UK & globally.

We offer a full range of valve & instrumentation products & services, with our product range representing leading technologies & brands:

Flow: Flow Meters & Transmitters, Flow Switches, Flow Control Valves & Batch Control Systems

Temperature: Temperature Probes & Thermowells, Temperature transmitters, Temperature Regulators & Temperature Displays

Level: Level Transmitters & Switches

Pressure: Pressure Gauges & Transmitters, Precision & High Pressure Regulators & I-P Converters, Volume boosters.

Precision Pneumatics: Pressure Regulators, I-P Converters, Volume Boosters, Vacuum Regulators

Valves: Solenoid & Pneumatic Valves, Control Valves & Positioners, Actuated Ball, Globe or Diaphragm Valves & Isolation Valves

Services: Repair, Calibration, Panel Build, System Design & Commissioning

A rotork® Brand
FAIRCHILD



bürkert



SIEMENS



alcon
SOLENOID VALVES

A rotork® Brand



MIDLAND-ACS
A rotork® Brand



Honeywell



Bourdon
Baumer Group



SOLDO
CONTROLS

A rotork® Brand



Fine Controls (UK) LTD, Bassendale Road, Croft Business Park,
Bromborough, Wirral, CH62 3QL UK
Tel: 0151 343 9966
Email: sales@finecontrols.com

Level Measurement

Continuous level measurement - Ultrasonic controllers

MultiRanger 100/200

Overview



MultiRanger is a versatile short to medium-range ultrasonic single and multi-vessel level monitor/controller for virtually any application in a wide range of industries.

Benefits

- Digital input for back-up level override from point level device
- Communication using built-in Modbus RTU via RS-485
- Compatible with SmartLinx system and SIMATIC PDM configuration software
- Single or dual point level monitoring
- Auto False-Echo Suppression for fixed obstruction avoidance
- Differential amplifier transceiver for common mode noise reduction and improved signal-to-noise ratio
- MultiRanger 100: level measurements, simple pump control and level alarm functions
- MultiRanger 200: level, volume and flow measurements in open channels, differential control, extended pump control and alarm functions
- Wall and panel mounting options

Application

MultiRanger can be used on different materials, including fuel oil, municipal waste, acids, woodchips or on materials with high angles of repose. MultiRanger offers true dual point monitoring, digital communications with built-in Modbus RTU via RS-485, as well as compatibility with SIMATIC PDM, allowing PC configuration and setup. MultiRanger features Sonic Intelligence™ advanced echo-processing software for increased reading reliability.

MultiRanger 100 offers cost-effective level alarming, as well as on/off and alternating pump control. MultiRanger 200 will monitor open channel flow and features more advanced relay alarming and pump control functions as well as volume conversion.

It is compatible with chemical-resistant Echomax® transducers that can be used in hostile environments at temperatures as high as +145 °C (+293 °F).

- Key Applications: wet wells, flumes/weirs, bar screen control, hoppers, chemical storage, liquid storage, crusher bins, dry solids storage

Design

The MultiRanger is available in wall or panel mounting options.

Level Measurement

Continuous level measurement - Ultrasonic controllers

MultiRanger 100/200

Technical specifications

Mode of Operation

Measuring principle	Ultrasonic level measurement
Measuring range	0.3 ... 15 m (1 ... 50 ft)
Measuring points	1 or 2

Input

Analog (MultiRanger 200 only)	0 ... 20 mA or 4 ... 20 mA, from alternate device, scalable
Discrete	10 ... 50 V DC switching level Logical 0 ≤ 0.5 V DC Logical 1 = 10 ... 50 V DC Max. 3 mA

Output

Echomax® transducer	44 kHz
Ultrasonic transducer	Compatible transducers: ST-H and Echomax series XPS-10/10F, XPS 15/15F, XCT-8, XCT-12 and XRS-5
Relays	Rating 5 A at 250 V AC, non-inductive
<ul style="list-style-type: none"> • Version with 1 relay (MultiRanger 100 only) • Version with 3 relays • Version with 6 relays 	1 SPST Form A 2 SPST Form A/1 SPDT Form C 4 SPST Form A/2 SPDT Form C
mA output	0 ... 20 mA or 4 ... 20 mA
<ul style="list-style-type: none"> • Max. load • Resolution 	750 Ω, isolated 0.1 % of range

Accuracy

Error in measurement	0.25 % of range or 6 mm (0.24"), whichever is greater
Resolution	0.1 % of measuring range ¹⁾ or 2 mm (0.08"), whichever is greater

Temperature compensation

- -50 ... +150 °C (-58 ... +302 °F)
- Integral temperature sensor
- External TS-3 temperature sensor (optional)
- Programmable fixed temperature values

Rated operating conditions

Installation conditions	
<ul style="list-style-type: none"> • Location • Installation category • Pollution degree 	Indoor/outdoor II 4
Ambient conditions	
<ul style="list-style-type: none"> • Ambient temperature (housing) 	-20 ... +50 °C (-4 ... +122 °F)

Design

Weight	
<ul style="list-style-type: none"> • Wall mount • Panel mount 	1.37 kg (3.02 lbs) 1.50 kg (3.31 lbs)
Material (enclosure)	Polycarbonate
Degree of protection (enclosure)	
<ul style="list-style-type: none"> • Wall mount • Panel mount 	IP65/Type 4X/NEMA 4X IP54/Type 3/NEMA 3
Electrical connection	
<ul style="list-style-type: none"> • Transducer and mA output signal 	2-core copper conductor, twisted, shielded, 0.5 ... 0.75 mm ² (22 ... 18 AWG), Belden® 8760 or equivalent is acceptable
<ul style="list-style-type: none"> • Max. separation between transducer and transceiver 	365 m (1200 ft)

Displays and controls

100 x 40 mm (4 x 1.5") multi-block LCD with backlighting

Programming

Programming using hand-held programmer, SIMATIC PDM or via PC with Dolphin Plus software

Power supply

AC version	100 ... 230 V AC ±15 %, 50/60 Hz, 36 VA (17 W)
DC version	12 ... 30 V DC (20 W)

Certificates and approvals

- CE, C-TICK²⁾
- Lloyd's Register of Shipping
- ABS Type Approval
- FM, CSA_{US/C}, UL listed
- CSA Class I, Div. 2, Groups A, B, C and D, Class II, Div.2, Groups F and G, Class III (wall mount only), ATEX II 3D

Communication

- RS-232 with Modbus RTU or ASCII via RJ-11 connector
- RS-485 with Modbus RTU or ASCII via terminal strips
- Optional: SmartLinX® cards for
 - PROFIBUS DP
 - DeviceNet™
 - Allen-Bradley® Remote I/O

¹⁾ Program range is defined as the empty distance to the face of the transducer plus any range extension

²⁾ EMC performance available on request

Level Measurement

Continuous level measurement - Ultrasonic controllers

MultiRanger 100/200

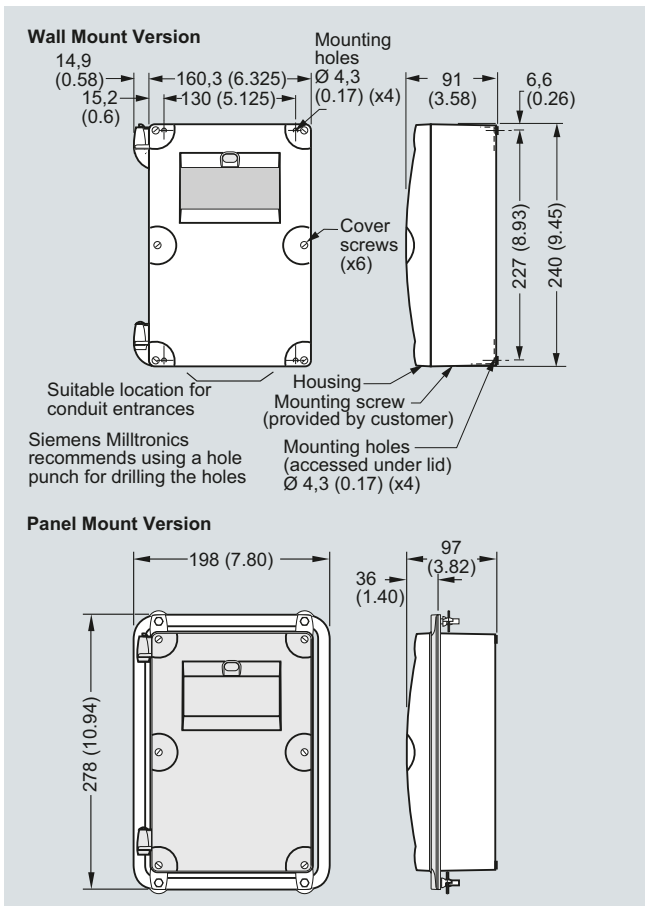
Selection and Ordering data	Order No.	Selection and Ordering data	Order code
MultiRanger 100/200 Versatile short to medium-range ultrasonic single and multi-vessel level monitor/controller for virtually any application in a wide range of industries L)	7ML5033-	Further designs	
Versions MultiRanger 100, level measurement only MultiRanger 200, level, volume, flow and differential measurements	1 2	Please add "-Z" to Order No. and specify Order code(s). Stainless steel tag [69 x 50 mm (2.71 x 1.97")]: Measuring-point number/identification (max. 16 characters) specify in plain text	Y15
Mounting, enclosure design Wall mount, standard enclosure Wall mount, 4 entries, 4 M20 cable glands included Panel mount (CE, CSA _{USIC} , FM, UL)	A B C	Operating Instructions English French Spanish German Quick Start guide, multi-language Note: The Operating Instructions should be ordered as a separate item on the order. This device is shipped with the Siemens Milltronics manual CD containing the complete ATEX Quick Start and Operating Instructions library.	Order No. C) 7ML1998-5FB06 C) 7ML1998-5FB13 C) 7ML1998-5FB23 C) 7ML1998-5FB36 C) 7ML1998-5QD83
Power supply 100 ... 230 V AC 12 ... 30 V DC	A B	Other Operating Instructions SmartLinx Allen-Bradley Remote I/O, English SmartLinx PROFIBUS DP, English SmartLinx PROFIBUS DP, German SmartLinx PROFIBUS DP, French SmartLinx DeviceNet, English Note: The appropriate SmartLinx Operating Instructions should be ordered as a separate line on the order.	C) 7ML1998-1AP03 C) 7ML1998-1AQ03 C) 7ML1998-1AQ33 C) 7ML1998-1AQ12 C) 7ML1998-1BH02
Number of measurement points Single point version Dual point version	0 1	Accessories Handheld programmer Tag, stainless steel, 12 x 45 mm (0.47 x 1.77"), one text line, suitable for enclosure SITRANS RD100 Remote display - see Chapter 8 SITRANS RD200 Remote display - see Chapter 8 SITRANS RD500 Remote display - see Chapter 8	C) 7ML1830-2AK C) 7ML1930-1AC
Communication (SmartLinx) Without module SmartLinx [®] Allen-Bradley [®] Remote I/O module SmartLinx PROFIBUS DP module SmartLinx DeviceNet [™] module See SmartLinx product page 5/310 for more information.	0 1 2 3	Spare parts Power Supply Board (100 ... 230 V AC) Power Supply Board (12 ... 30 V DC) Display Board	C) 7ML1830-1MD C) 7ML1830-1ME C) 7ML1830-1MF
Output relays 3 relays (2 Form A, 1 Form C), 250 V AC 6 relays (4 Form A, 2 Form C), 250 V AC 1 relay (1 Form A), 250 V AC (available on MultiRanger 100 model only)	1 2 3	C) Subject to export regulations AL: N, ECCN: EAR99	
Approvals General Purpose CE, FM, CSA _{USIC} , UL listed, C-TICK CSA Class I, Div. 2, Groups A, B, C and D; Class II, Div 2, Groups F and G; Class III ¹⁾ ATEX II 3D ²⁾	A B C		
¹⁾ For wall mount applications only ²⁾ For standard enclosure wall mount, option A only L) Subject to export regulations AL: N, ECCN: 3A991X [®] Modbus is a registered trademark of Schneider Electric. [®] Belden is a registered trademark of Belden Wire and Cable Company. [®] Allen-Bradley is a registered trademark of Rockwell Automation. [™] DeviceNet is a trademark of Open DeviceNet Vendor Association (ODVA)			

Level Measurement

Continuous level measurement - Ultrasonic controllers

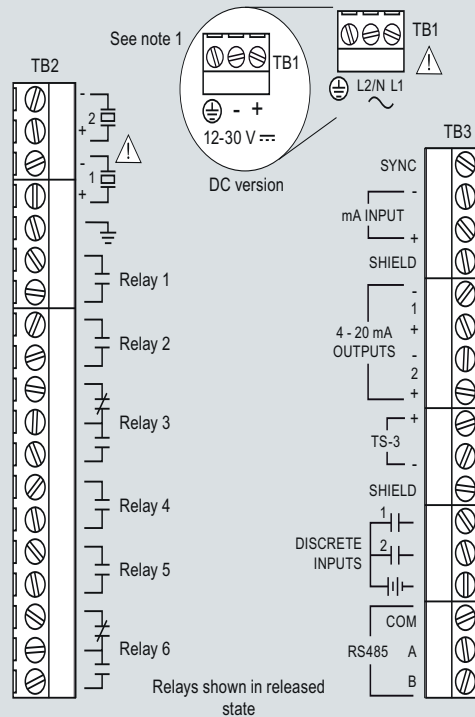
MultiRanger 100/200

Dimensional drawings



MultiRanger, dimensions in mm (inch)

Schematics



Note:

1. Use 2-core copper wire, twisted, with shield, for expansion up to 365 m (1200 ft.). Route cable in grounded metal conduit, separate from other cables.
2. Verify that all system components are installed in accordance with instructions.
3. Connect all cable shields to the MultiRanger Shield Connections. Avoid differential ground potentials by not connecting cable shields to ground (earth) anywhere else.
4. Keep exposed conductors on shielded cables as short as possible to reduce noise on the line caused by stray transmissions and noise pickup.

MultiRanger connections