

Flow Measurement

SITRANS F C

Transmitter MASS 6000 Ex d compact/remote

Overview



MASS 6000 is based on the latest developments within digital signal processing technology – engineered for high performance, fast flow step response, fast batching applications, high immunity against process noise, easy to install, commission and maintain.

The MASS 6000 transmitter delivers true multiparameter measurements i.e.: Mass flow, volume flow, density, temperature and fraction flow.

The MASS 6000 Ex d transmitter is manufactured in stainless steel (AISI 316L) and able to withstand harsh installation conditions in hazardous applications within the process and chemical industry. The conservative choice of material guarantees the user a low cost of ownership and a long trouble-free life-time. The Ex d can be compact mounted on all sensors of type MASS 2100 DI 3 to DI 40, and can be used in remote version for all types of MASS 2100.

Benefits

- Fully stainless steel flameproof EEx d enclosure, ensuring optimum cost of ownership
- Intrinsically safe keypad and display directly programmable in hazardous area
- ATEX-approved transmitter which can be mounted in hazardous area Zone 1 or Zone 2.
- Sensor and transmitter interface intrinsically safe EEx ia IIC
- Exchange of transmitter directly in hazardous area without shut-down of process pipe line due to ia IIC sensor/transmitter interface.
- Dedicated mass flow chip with the latest ASIC technology
- Fast batching and flow step response with an update rate of true 30 Hz
- Superior noise immunity due to a patented DFT (Discrete Fourier Transformation) algorithm
- Front end resolution better than 0.35 ns improves zero point stability and enhances dynamic turn-down ratio on flow and density accuracy.
- Advanced diagnosis and service menu enhances troubleshooting and meter verification.
- Built-in batch controller with compensation and monitoring comprising 2 built-in totalizers
- Multi-parameter outputs, individual configurable for mass flow, volume flow, density, temperature or fraction flow such as BRIX or PLATO
- 1 current output, 1 frequency/pulse and 1 relay as standard output
- Current output can be selected as passive or active output

- Digital input for batch-control, remote zero adjust or forced output mode
- All outputs can be forced to preset value for simulation, verification or calibration purposes.
- User-configurable operation menu with password protection
 - 3 lines, 20 characters display in 11 languages
 - Self-explaining error handling/log in text format
 - Keypad can be used for controlling batch as start/stop/hold/reset
- SENSORPROM technology automatically configures transmitter at start-up providing:
 - Factory pre-programming with calibration data, pipe size, sensor type, output settings
 - Any values or settings changed by users are stored automatically
 - Automatically re-programming any new transmitter without loss of accuracy
 - Transmitter replacement in less than 5 minutes. True "plug & play"
- 4-wire Pt1000 temperature measurement ensures optimum accuracy on mass flow, density and fraction flow
- Fraction flow computation based on a 5th-order algorithm matching all applications
- USM II platform enables fitting of add-on bus modules without loss of functionality:
 - All modules can be fitted as true "plug & play"
 - Module and transmitter automatically configured through the SENSORPROM
- Installation of the transmitter to the sensor is simple "plug & play" via the sensor pedestal.

Application

SITRANS F C mass flowmeters are suitable for all applications within the entire process industry where there is a demand for accurate flow measurement in hazardous area. The meter can measure both liquids and gases.

The main applications for the MASS 6000 Ex d transmitter can be found in:

- Chemical process industry
- Pharmaceutical industries
- Automotive industry
- Oil and gas industry
- Power generation and utility industry

Design

The transmitter is designed in an Ex d compact stainless steel enclosure which can be compact mounted on the MASS 2100 sensor range DI 3 to DI 40, and remote mounted for the entire sensor series.

The MASS 6000 Ex d is available as standard with 1 current, 1 frequency/pulse and 1 relay output and can be fitted with add-on modules for bus communication.

- Flameproof „d“ enclosure
- Enclosure stainless steel, IP67/NEMA 4X as compact and IP66/NEMA 4 as remote
- Supply voltage 24 V AC/DC
- MASS 6000 Ex d is ATEX approved together with all MASS 2100 sensors, but can **not** be used together with MC2 Ex versions

Transmitter MASS 6000 Ex d compact/remote

Function

The following functions are available:

- Mass flow rate, volume flow rate, density, temperature, fraction flow
- 1 current output, 1 frequency/pulse output, 1 relay output, 1 digital input
- All outputs can be individually configured with mass, volume, density etc.
- 2 built-in totalizers which can count positive, negative or net
- Low flow cut-off
- Density cut-off or empty pipe cut-off, adjustable
- Flow direction
- Error system consisting of error-log, error pending menu
- Operating time
- Uni/bidirectional flow measurement
- Limit switches with 1 or 2 limits, programmable for flow, density or temperature
- Noise filter setting for optimization of measurement performance under non-ideal application conditions
- Full batch controller
- Automatic zero adjustment menu, with zero point evaluation feed back
- Full service menu for effective and straight forward application and meter troubleshooting

Technical specifications

Measurement of	Mass flow [kg/s (lbs/min)], volume flow [l/s (gpm)], fraction [%], °Brix, density [kg/m ³ (lbs/ft ³)], temperature [°C (°F)]
Current output	Classified EEx ia, selectable as active or passive outputs. Default setting is active mode.
Current	0 ... 20 mA or 4 ... 20 mA
Load	< 350 Ω
Time constant	0 ... 99.9 s adjustable
Current characteristics	
Active mode	$U_o = 24 \text{ V}$, $I_o = 82 \text{ mA}$, $P_o = 0.5 \text{ W}$, $C_o = 125 \text{ nF}$, $L_o = 2.5 \text{ mH}$
Passive mode (max input from external barrier)	$U_i = 30 \text{ V}$, $I_i = 100 \text{ mA}$, $P_i = 0.75 \text{ W}$, $C_i = 52 \text{ nF}$, $L_i = 100 \mu\text{H}$
Digital output	
Frequency	0 ... 10 kHz, 50 % duty cycle
Time constant	0.1 ... 30 s adjustable
Passive	6 ... 30 V DC, max. 110 mA, $1 \text{ k}\Omega \leq R_{load} \leq 10 \text{ k}\Omega$
<u>Output characteristics</u>	
Active mode	Not available
Passive mode (max input from external barrier)	$U_i = 30 \text{ V}$, $I_i = 100 \text{ mA}$, $P_i = 0.75 \text{ W}$, $C_i = 52 \text{ nF}$, $L_i = 100 \mu\text{H}$
Relay	
Type	Change-over relay
Load	30 V/100 mA
Functionality	Error level, error number, limit, direction
Output characteristics	$U_i = 30 \text{ V}$, $I_i = 100 \text{ mA}$, $P_i = 0.75 \text{ W}$, $C_i = 0 \text{ nF}$, $L_i = 0 \text{ mH}$

Digital input	11 ... 30 V DC ($R_i = 13.6 \text{ k}\Omega$)
Functionality	Start/hold/continue batch, zero point adjust, reset totalizer 1/2, force output, freeze output
Output characteristics	$U_i = 30 \text{ V}$, $I_i = 3.45 \text{ mA}$, $P_i = 0.10 \text{ W}$, $C_i = 0 \text{ nF}$, $L_i = 0 \text{ mH}$
Galvanic isolation	All inputs and outputs are galvanically isolated, isolation voltage 500 V.
Cut-off	
Low-flow	0 ... 9.9% of maximum flow
Empty pipe	Detection of empty sensor
Density	0 ... 2.9 g/cm ³
Totalizer	Two eight-digit counters for forward, net or reverse flow
Display	<ul style="list-style-type: none"> • Background illumination with alphanumeric text, 3 × 20 characters to indicate flow rate, totalized values, settings and faults. Time constant as current output • Reverse flow indicated by negative sign
Zero point adjustment	Via keypad or remote via digital input
Ambient temperature	
Operation	-20 ... +50 °C (-4 ... +122 °F)
Storage	-40 ... +70 °C (-40 ... +158 °F) (Humidity max. 95 %)
Communication	Add-on modules: HART, PROFIBUS PA, FOUNDATION Fieldbus H1
HART	
Active mode	$U_o = 6.88 \text{ V}$, $I_o = 330 \text{ mA}$, $P_o = 0.57 \text{ W}$, $C_o = 20 \text{ nF}$, $L_o = 100 \mu\text{H}$
Passive mode (max input from external barrier)	$U_i = 10 \text{ V}$, $I_i = 200 \text{ mA}$, $P_i = 0.5 \text{ W}$, $C_i = 0 \text{ nF}$, $L_i = 0 \mu\text{H}$
PROFIBUS PA	
Active mode	Not available
Passive mode	$U_i = 17.5 \text{ V}$, $I_i = 380 \text{ mA}$, $P_i = 5.32 \text{ W}$, $C_i = 5 \text{ nF}$, $L_i = 10 \mu\text{H}$
FOUNDATION Fieldbus H1	
Active mode	Not available
Passive mode	$U_i = 17.5 \text{ V}$, $I_i = 380 \text{ mA}$
Enclosure	
Material	Stainless steel AISI 316 mat. no. 1.4435
Rating	<ul style="list-style-type: none"> • Compact mounted on sensor: IP67/NEMA 4X to IEC 529 and DIN 40050 • Remote mounted: IP66/NEMA 4 to IEC 529 and DIN 40050
Load	18 ... 1000 Hz random, 1.14 G rms, in all directions, to IEC 68-2-36, Curve E

Flow Measurement

SITRANS F C

Transmitter MASS 6000 Ex d compact/remote

Supply voltage

24 V AC

- Range 20 ... 30 V AC
- Power consumption 6 VA $I_N = 250$ mA, $I_{ST} = 2$ A (30 ms)
- Power supply The power supply shall be from a safety isolating transformer. Maximal cable core is 1.5 mm²

24 V DC

- Range 18 ... 30 V DC
- Power consumption 6 VA $I_N = 250$ mA, $I_{ST} = 2$ A (30 ms)
- Power supply The power supply shall be from a safety isolating transformer. Maximal cable core is 1.5 mm².

EMC performance

Emission EN/IEC 61000-6-4 (Industry)
Immunity EN/IEC 61000-6-2 (Industry)

NAMUR

Within the value limits according to "Allgemeine Anforderung" with error criteria A in accordance with NE 21

Ex approval

EEx de [ia/ib] IIC T6, DEMKO 03 ATEX 135253X

Temperature class:

- T6 Process liquid temperature:
 - $T < 85$ °C (185 °F)
- T5
 - 85 °C $< T < 100$ °C (185 °F $< T < 212$ °F)
- T4
 - 100 °C $< T < 135$ °C (212 °F $< T < 275$ °F)
- T3
 - 135 °C $< T < 180$ °C (275 °F $< T < 356$ °F)

Selection and Ordering data

Order No.

SITRANS F C MASS 6000 transmitter

Transmitter Ex d for remote mounting inclusive of wall mounting kit

7ME4110-

2 ■ ■ ■ ■ - ■ ■ ■ ■

Enclosure

Ex d SS with 5 m (16.5 ft) cable
Ex d SS with 10 m (32.8 ft) cable
Ex d SS with 25 m (82.0 ft) cable

G
H
J

Output configuration

1 current, 1 frequency, 1 relay

A

Supply voltage

24V AC/DC

2

Ex approvals

ATEX

1

Display/Keypad

With display

1

Serial communication

No communication
HART
PROFIBUS PA Profile 3
FOUNDATION Fieldbus H1

A
B
F
J

Cable gland

M20

1

Operating instructions for SITRANS F C MASS 6000 Ex d

Description

Order No.

Operating instructions for SITRANS F C MASS 6000 Ex d

- English

A5E02944883

This device is shipped with a Quick Start guide and a CD containing further SITRANS F literature.



All literature is also available for free at:
<http://www.siemens.com/flowdocumentation>

Note:


Only communication modules with Ex approvals are allowed.

Please also see www.siemens.com/SITRANSOrdering for practical examples of ordering

Selection and Ordering data*Spare parts for MASS 6000 Ex d*

Description	Order No.	
Wall mounting kit for remote Ex d inclusive of sensor cable of		
• 5 m	FDK-083H0231	
• 10 m	FDK-083H0232	
• 25 m	FDK-083H0233	
Ex d transmitter insert	FDK-083H3061	
Front lid	FDK-085U2373	
Screws and washers between pedestal and sensor (4 pcs.), seal (1 pc.)	FDK-085U2374	
Display and keypad	FDK-083H0235	

Add-on module for remote and compact MASS 6000 Ex d

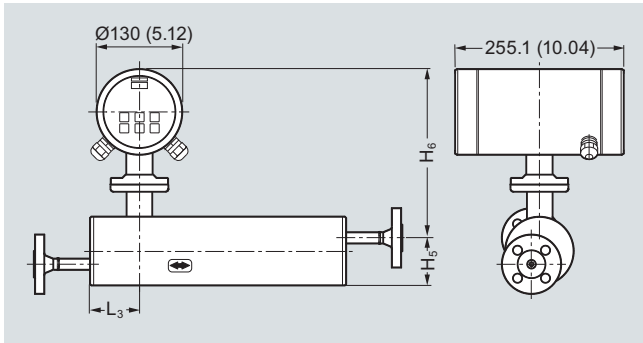
Description	Order No.	
HART	FDK-085U0226	
PROFIBUS PA Profile 3	FDK-085U0236	
FOUNDATION Fieldbus H1	A5E02054250	

Flow Measurement SITRANS F C

Transmitter MASS 6000 Ex d compact/remote

Dimensional drawings

MASS 6000 Ex d compact version



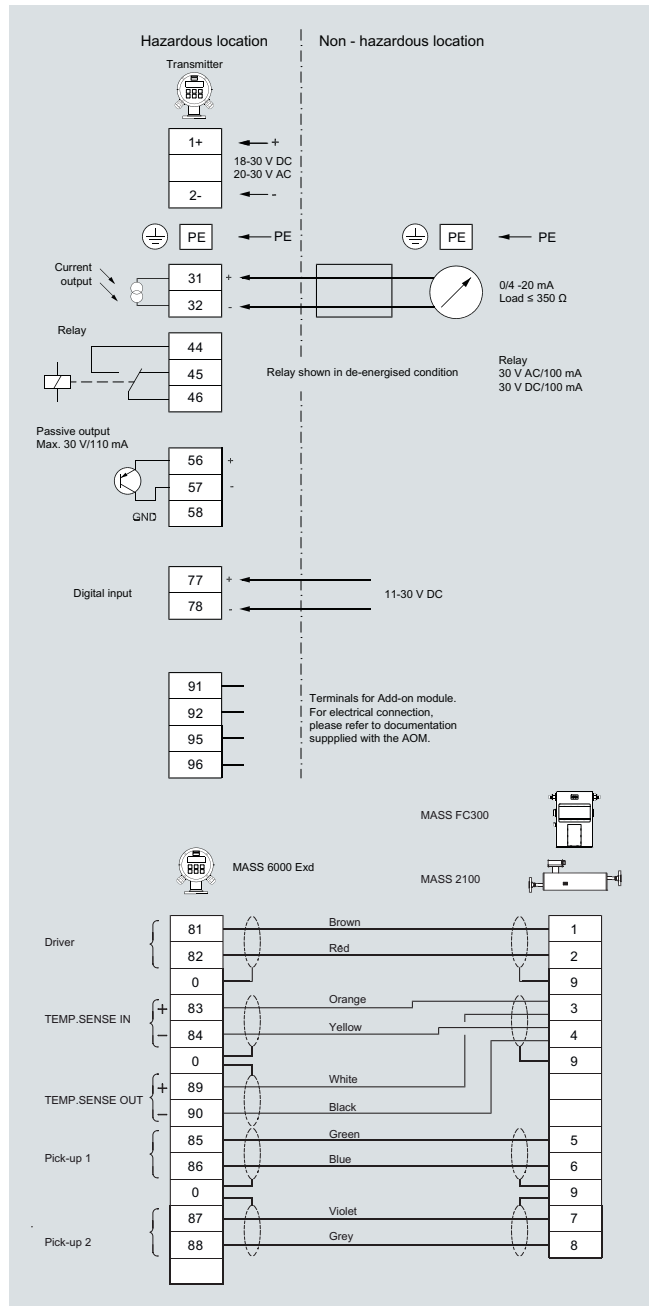
Dimensions in mm (inch)

Sensor size [Di (inch)]	L ₃ [mm (inch)]	H ₅ [mm (inch)]	H ₆ [mm (inch)]	H ₅ + H ₆ [mm (inch)]
3 (1/8)	75 (2.95)	82 (3.23)	247 (9.72)	329 (12.95)
6 (1/4)	62 (2.44)	72 (2.83)	257 (10.12)	329 (12.95)
15 (1/2)	75 (2.95)	87 (3.43)	267 (10.51)	354 (13.94)
25 (1)	75 (2.95)	173 (6.81)	271 (10.67)	444 (17.48)
40 (1 1/2)	75 (2.95)	227 (8.94)	271 (10.67)	498 (19.61)

4

Schematics

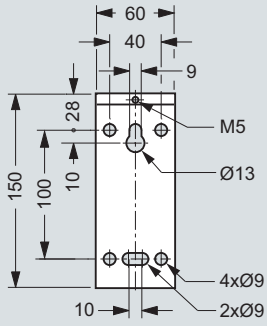
Electrical connection compact or remote



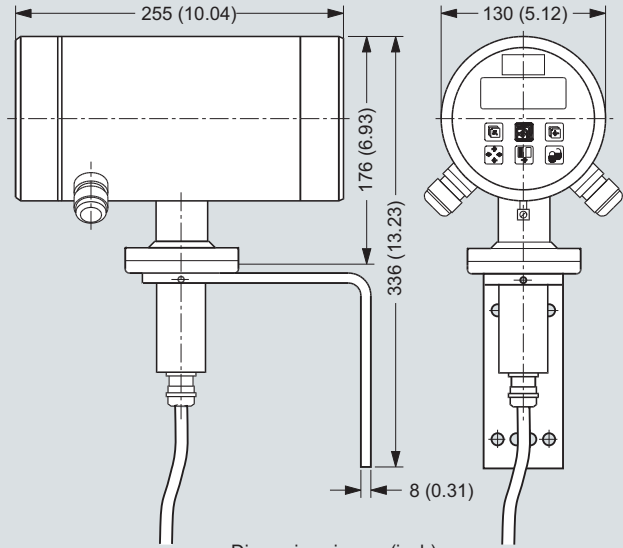
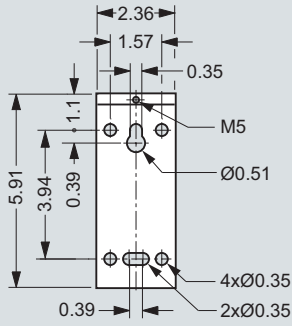
MASS 6000 Ex d remote version

Weight: 3 kg (6.6 lbs)

Dimensions in mm



Dimensions in inch



Dimensions in mm (inch)

FINE CONTROLS (UK) LTD



Fine Controls have been supplying process controls & instrumentation equipment since 1994, & now serves an ever expanding customer base, both in the UK & globally.

We offer a full range of valve & instrumentation products & services, with our product range representing leading technologies & brands:

Flow: Flow Meters & Transmitters, Flow Switches, Flow Control Valves & Batch Control Systems

Temperature: Temperature Probes & Thermowells, Temperature transmitters, Temperature Regulators & Temperature Displays

Level: Level Transmitters & Switches

Pressure: Pressure Gauges & Transmitters, Precision & High Pressure Regulators & I-P Converters, Volume boosters.

Precision Pneumatics: Pressure Regulators, I-P Converters, Volume Boosters, Vacuum Regulators

Valves: Solenoid & Pneumatic Valves, Control Valves & Positioners, Actuated Ball, Globe or Diaphragm Valves & Isolation Valves

Services: Repair, Calibration, Panel Build, System Design & Commissioning

A rotork® Brand
FAIRCHILD



bürkert



SIEMENS



alcon
SOLENOID VALVES

A rotork® Brand



MIDLAND-ACS
A rotork® Brand



Honeywell



Bourdon
Baumer Group



SOLDO
CONTROLS

A rotork® Brand



Fine Controls (UK) LTD, Bassendale Road, Croft Business Park,
Bromborough, Wirral, CH62 3QL UK
Tel: 0151 343 9966
Email: sales@finecontrols.com