

Level Measurement

Continuous level measurement - Ultrasonic controllers

SITRANS LU AO

Overview



The SITRANS LU AO Analog Output Module provides remote analog output for the measurement points of the SITRANS LU10 level monitor.

Benefits

- Analog outputs can be up to 1500 m (5000 ft) from the SITRANS LU10
- Analog outputs can be per transducer and/or average of 2 or more

Application

The operation of the SITRANS LU AO is programmed via the SITRANS LU10. The only on-board settings are for bank selection and output testing.

The SITRANS LU AO can provide up to 10 analog outputs (each sharing a common negative bus which is electrically isolated from ground).

Technical specifications

Mode of operation	Output module
Input	
Communications	Data from SITRANS LU10
• Transmission rate	4800 bits/s
• Voltage	± 20 mA bipolar current loop
• Polarization	Non-polarized
• Max. load	1 receiving unit
Output	
Analog outputs	10 analog outputs, programmable from SITRANS LU10
	0 or 4 ... 20 mA, isolated
± 20 mA bipolar current loop	Input and transmission
• Max. load	750 Ω
• Resolution	0.1 %
Rated operating conditions	
Ambient conditions	
• Ambient temperature for enclosure	-20 ... +50 °C (-5 ... +122 °F)
• Location	Indoor/outdoor
• Installation category	II
• Pollution degree	4
Design	
Weight	2 kg (4.4 lbs)
Material (enclosure)	Polycarbonate
Degree of protection	Type 4X/NEMA 4X/IP65
• Cable connection	2 copper conductors, twisted, with foil shield/drain wire, 300 V 0.5 ... 0.75 mm ² (22 ... 18 AWG)
• Electrical connection and relay connection	Copper conductor according to local requirements, rated 250 V 5 A
Power supply	100/115/200/230 V AC ± 15 %, 50/60 Hz, 15 VA
Displays and controls	1 LED for display of voltage/communications state
Certificates and approvals	CE, FM, CSA _{US/C} , C-TICK

Selection and Ordering data

Order No.

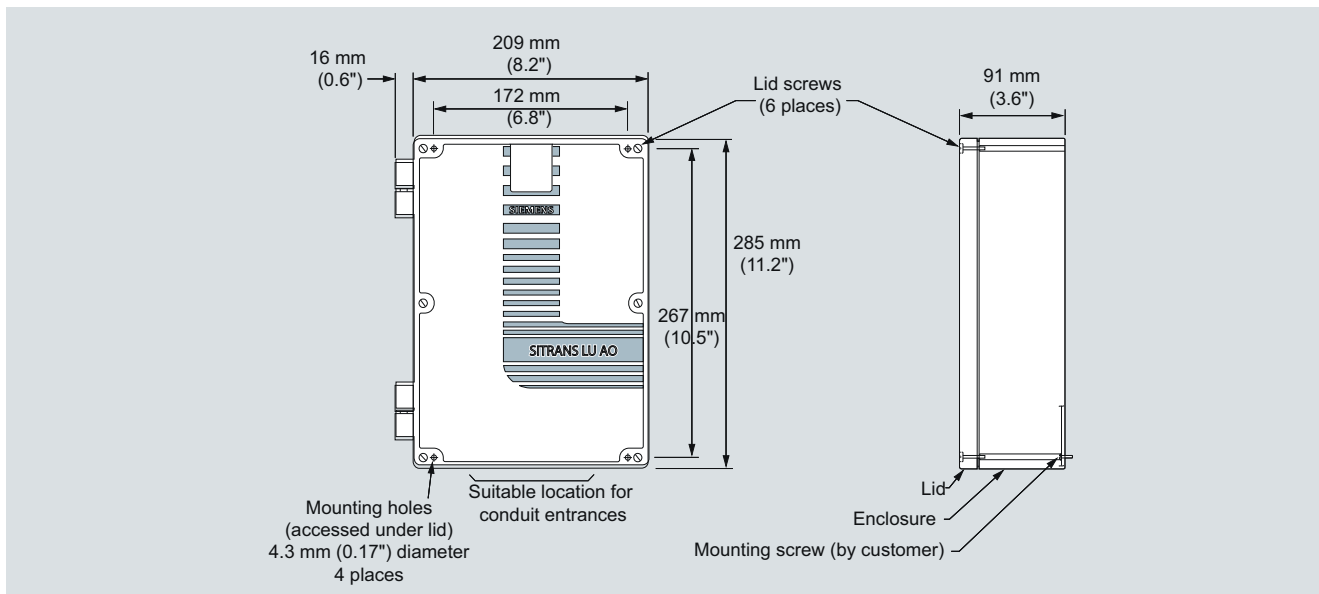
SITRANS LU AO Provides remote analog output for the measurement points of the SITRANS LU10 level monitor. Approvals: CSA _{US/C} , FM, CE, C-TICK	C) 7ML5810-1A
Operating Instructions English German	C) 7ML1998-5CE01 C) 7ML1998-5CE31
Note: Instruction manuals should be ordered as a separate line item on the order. This device is shipped with the Siemens Milltronics manual CD containing the complete Quick Start and instruction manual library.	
C) Subject to export regulations AL: N, ECCN: EAR99	

Level Measurement

Continuous level measurement - Ultrasonic controllers

SITRANS LU AO

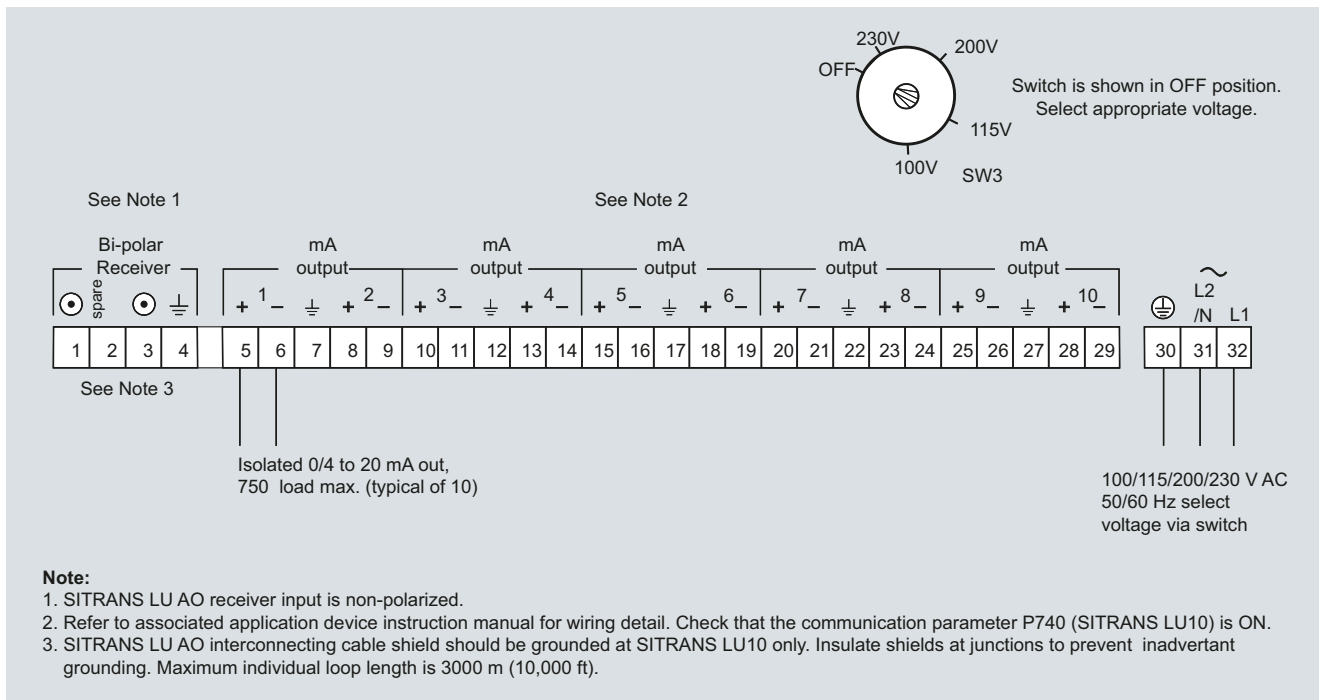
Dimensional drawings



SITRANS LU AO, dimensions in mm (inch)

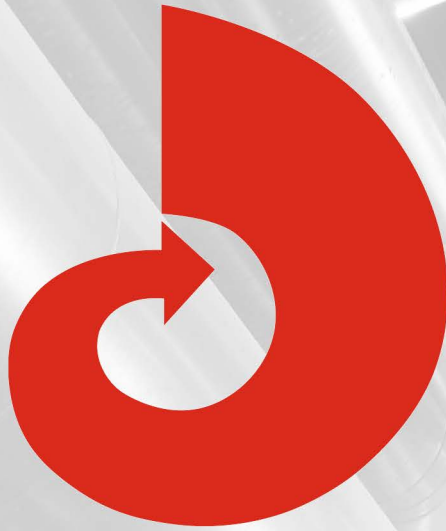
5

Schematics



SITRANS LU AO connections

FINE CONTROLS (UK) LTD



Fine Controls have been supplying process controls & instrumentation equipment since 1994, & now serves an ever expanding customer base, both in the UK & globally.

We offer a full range of valve & instrumentation products & services, with our product range representing leading technologies & brands:

Flow: Flow Meters & Transmitters, Flow Switches, Flow Control Valves & Batch Control Systems

Temperature: Temperature Probes & Thermowells, Temperature transmitters, Temperature Regulators & Temperature Displays

Level: Level Transmitters & Switches

Pressure: Pressure Gauges & Transmitters, Precision & High Pressure Regulators & I-P Converters, Volume boosters.

Precision Pneumatics: Pressure Regulators, I-P Converters, Volume Boosters, Vacuum Regulators

Valves: Solenoid & Pneumatic Valves, Control Valves & Positioners, Actuated Ball, Globe or Diaphragm Valves & Isolation Valves

Services: Repair, Calibration, Panel Build, System Design & Commissioning

A rotork® Brand
FAIRCHILD



bürkert



SIEMENS



alcon
SOLENOID VALVES

A rotork® Brand



MIDLAND-ACS
A rotork® Brand



Honeywell



Bourdon
Baumer Group



SOLDO
CONTROLS

A rotork® Brand



Fine Controls (UK) LTD, Bassendale Road, Croft Business Park,
Bromborough, Wirral, CH62 3QL UK
Tel: 0151 343 9966
Email: sales@finecontrols.com