

RCC200

Pneumatic Actuator for offshore and arduous conditions



Remote Control RCC200 pneumatic steel epoxy coated actuator for offshore, petrochemical and other industrial hard conditions.

RCC200-DA/SR are available in six different sizes. Connections according to DIN/ISO 5211 and VDI/VDE 3845.

Remote Control has for 50 years manufactured high quality actuators. Part of challenge is to develop solutions for situations where extremely high demands are made on functions and safety

Technical Data

- Pneumatic Quarter turn actuator
- Type RCC200-DA
Double acting
- Type RCC200-SR
Single acting with spring return
- Working pressure: Max 10 bar
- Operating Media: Air or inert gases. (on request also low-pressure hydraulics)
- Temperatur range:
-20 °C to +80 °C
(Actuators for other temperatures can be delivered on request)
- Material: Body in Carbon steel epoxycoated, shaft in stainless steel, cylinder surface inside treated with PTFE.)
- Connections comply with
DIN 3337/ISO 5211,
VDI/VDE 3845
- Torque range at 6 bar air pressure:
Double acting 38-910
Nm Spring return 12-305 Nm

DIMENSIONS RCC-DA

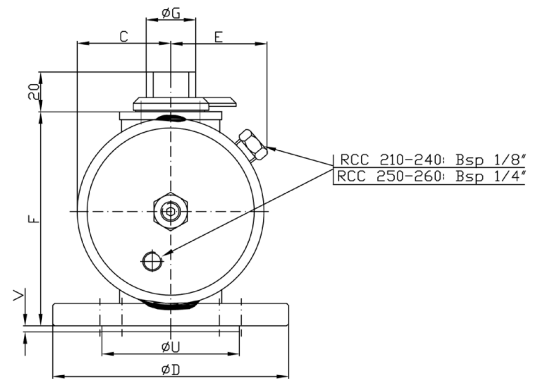
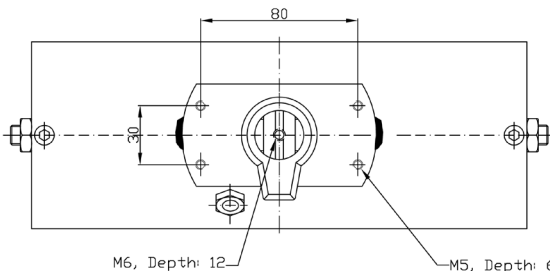
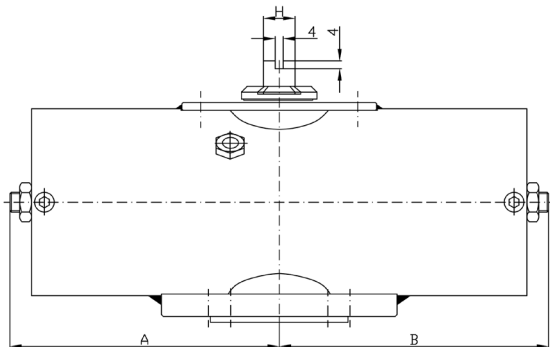
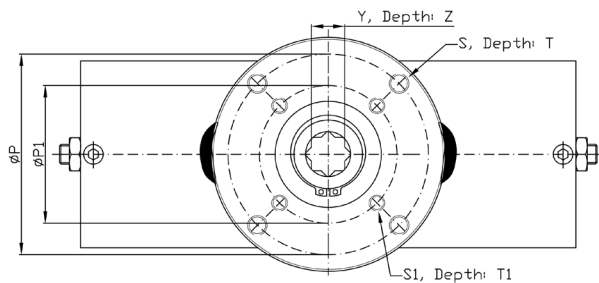
Actuators	N.FL	A	B	C	D	E	F	G	H	FL	P	S	T	FL	P1	S1	T1	U	V	Y**	Z
RCC210-DA	F05	55	100	33	60	33	75	16	10	F05	50	M6	10	-	-	-	-	35	2	14	19
RCC220-DA	F05	100	100	33	60	33	75	16	10	F05	50	M6	10	-	-	-	-	35	2	14	19
RCC230-DA	F07	75	140	48	119	48	110	25	16	F10*	102*	M10*	16*	F07	70	M8	13	55	3	17	30
RCC240-DA	F10	140	140	48	119	48	110	25	16	F10	102	M10	17	F07*	70*	M8*	13*	70	3	22	30
RCC250-DA	F10	95	190	70	150	70	155	35	22	F12*	125*	M12*	21*	F10	102	M10	16	70	3	22	37
RCC260-DA	F12	190	190	70	150	70	155	35	22	F12	125	M12	21	F10*	102*	M10*	16*	85	3	27	37

DIMENSIONS RCC-SR

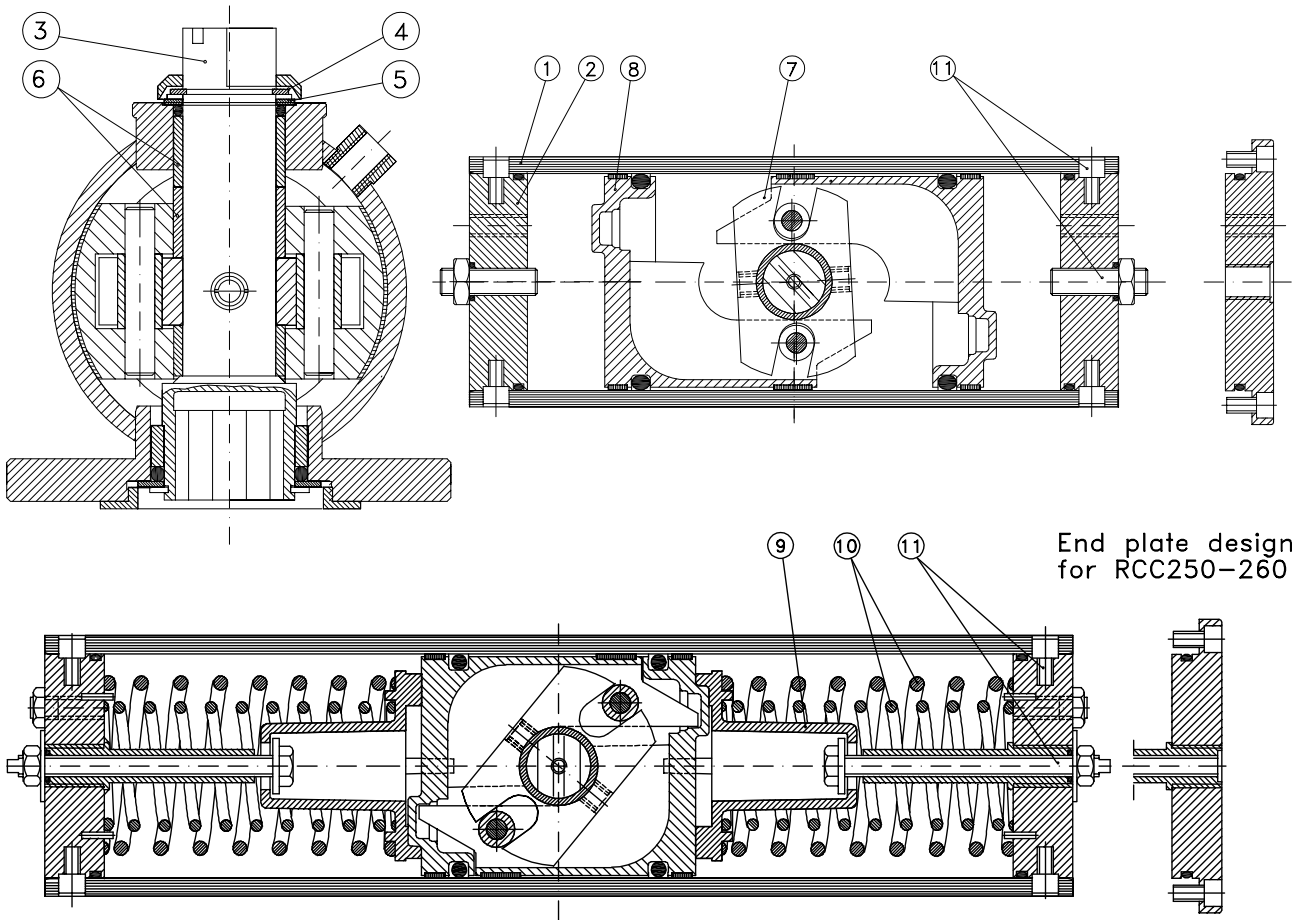
Actuators	N.FL	A	B	C	D	E	F	G	H	FL	P	S	T	FL	P1	S1	T1	U	V	Y**	Z
RCC210-DA	F05	55	160	33	60	33	75	16	10	F05	50	M6	10	-	-	-	-	35	2	14	19
RCC220-DA	F05	160	160	33	60	33	75	16	10	F05	50	M6	10	-	-	-	-	35	2	14	19
RCC230-DA	F07	75	205	48	119	48	110	25	16	F10*	102*	M10*	16*	F07	70	M8	13	55	3	17	30
RCC240-DA	F10	205	205	48	119	48	110	25	16	F10	102	M10	17	F07*	70*	M8*	13*	70	3	22	30
RCC250-DA	F10	95	280	70	150	70	155	35	22	F12*	125*	M12*	21*	F10	102	M10	16	70	3	22	37
RCC260-DA	F12	280	280	70	150	70	155	35	22	F12	125	M12	21	F10*	102*	M10*	16*	85	3	27	37

* = Extra mounting holes on RCC 230-260 for alternative ISO/DIN pattern.

** = Tolerance H9. The hole is octagonal and adapts to valve stems with squares both 90° and 45 direction



Draw. No 00376



Technical Data

- | | | |
|-----------------------------------------------------------------------------------|-------------------------------------------------------------------------------------|-------------------------------------------------------------------------------------|
| <p>1. Cylinder
Carbon steel, epoxy coated, internal teflon coated.</p> | <p>5. Thrust washers
POM (Delrin), middle washer in stainless steel.</p> | <p>9. Spring steering
Aluminium
Option: Anodized</p> |
| <p>2. End plates
Carbon steel, zink plated and epoxy coated</p> | <p>6. Bearing and support ring
POM (Delrin)
Option: Tin bronze</p> | <p>10. Springs
Spring steel, ball blasted, anti-corrosion protected.</p> |
| <p>3. Shaft
Stainless steel</p> | <p>7. Scotch yoke
Carbon steel, hardened</p> | <p>11. Fastening and adjustment screws
Stainless steel</p> |
| <p>4. Circlips
Carbon steel with dacrolite treatment.</p> | <p>8. Piston
Aluminium
Option: Anodized</p> | |

RCC200-SR - Single acting - Spring closes - Torques Nm

4,2 bar/60 psi

Type	Air opens →			Spring closes →		
	0°	60°	90°	90°	30°	0°
RCC210-SR	14	6	7,5	12	6	8,5
RCC220-SR	29	12	15	25	12	17
RCC230-SR	54	23	29	47	23	33
RCC240-SR	110	47	58	96	47	66
RCC250-SR	170	74	90	150	74	100
RCC260-SR	345	150	180	305	150	210

6 bar/87 psi

Type	Air opens →			Spring closes →		
	0°	60°	90°	90°	30°	0°
RCC210-SR	20	9	11	18	9	12
RCC220-SR	41	18	22	37	18	25
RCC230-SR	78	33	41	69	33	47
RCC240-SR	158	68	84	140	68	96
RCC250-SR	245	105	130	215	105	150
RCC260-SR	500	215	265	440	215	305

5,5 bar/80 psi

Type	Air opens →			Spring closes →		
	0°	60°	90°	90°	30°	0°
RCC210-SR	18	8	10	16	8	11
RCC220-SR	38	17	20	34	16	23
RCC230-SR	72	30	38	63	30	43
RCC240-SR	145	63	77	129	63	88
RCC250-SR	225	97	120	198	97	138
RCC260-SR	460	198	244	405	198	281

7 bar/100 psi

Type	Air opens →			Spring closes →		
	0°	60°	90°	90°	30°	0°
RCC210-SR	24	10	13	21	10	14
RCC220-SR	48	21	26	43	21	29
RCC230-SR	92	39	48	81	39	55
RCC240-SR	185	80	98	163	80	115
RCC250-SR	290	125	155	255	125	175
RCC260-SR	580	250	310	515	250	350

0° = Closed position
90° = Open position

RCC200-DA - Double acting actuators - Torques Nm

4 bar

Type	Air opens / Air closes ↔		
	0°	50°	90°
RCC210-DA	25	12	18
RCC220-DA	51	25	36
RCC230-DA	96	47	69
RCC240-DA	195	97	140
RCC250-DA	300	150	215
RCC260-DA	610	300	440

6 bar

Type	Air opens / Air closes ↔		
	0°	50°	90°
RCC210-DA	38	19	27
RCC220-DA	76	38	54
RCC230-DA	145	72	105
RCC240-DA	290	145	210
RCC250-DA	450	225	320
RCC260-DA	910	460	650

5,5 bar

Type	Air opens / Air closes ↔		
	0°	50°	90°
RCC210-DA	34	17	25
RCC220-DA	70	35	50
RCC230-DA	130	66	95
RCC240-DA	270	135	190
RCC250-DA	410	210	300
RCC260-DA	840	420	600

7 bar

Type	Air opens / Air closes ↔		
	0°	50°	90°
RCC210-DA	44	22	32
RCC220-DA	88	44	63
RCC230-DA	165	83	120
RCC240-DA	340	170	240
RCC250-DA	530	260	380
RCC260-DA	1070	530	770

0° = Closed position
90° = Open position

We reserve the right to make changes without notice

