

# FINE CONTROLS (UK) LTD



Fine Controls have been supplying process controls & instrumentation equipment since 1994, & now serves an ever expanding customer base, both in the UK & globally.

We offer a full range of valve & instrumentation products & services, with our product range representing leading technologies & brands:

**Flow:** Flow Meters & Transmitters, Flow Switches, Flow Control Valves & Batch Control Systems

**Temperature:** Temperature Probes & Thermowells, Temperature transmitters, Temperature Regulators & Temperature Displays

**Level:** Level Transmitters & Switches

**Pressure:** Pressure Gauges & Transmitters, Precision & High Pressure Regulators & I-P Converters, Volume boosters.

**Precision Pneumatics:** Pressure Regulators, I-P Converters, Volume Boosters, Vacuum Regulators

**Valves:** Solenoid & Pneumatic Valves, Control Valves & Positioners, Actuated Ball, Globe or Diaphragm Valves & Isolation Valves

**Services:** Repair, Calibration, Panel Build, System Design & Commissioning

A rotork® Brand  
**FAIRCHILD**



**bürkert**



**SIEMENS**



**alcon**  
SOLENOID VALVES

A rotork® Brand



**MIDLAND-ACS**  
A rotork® Brand



**Honeywell**



**Bourdon**  
Baumer Group

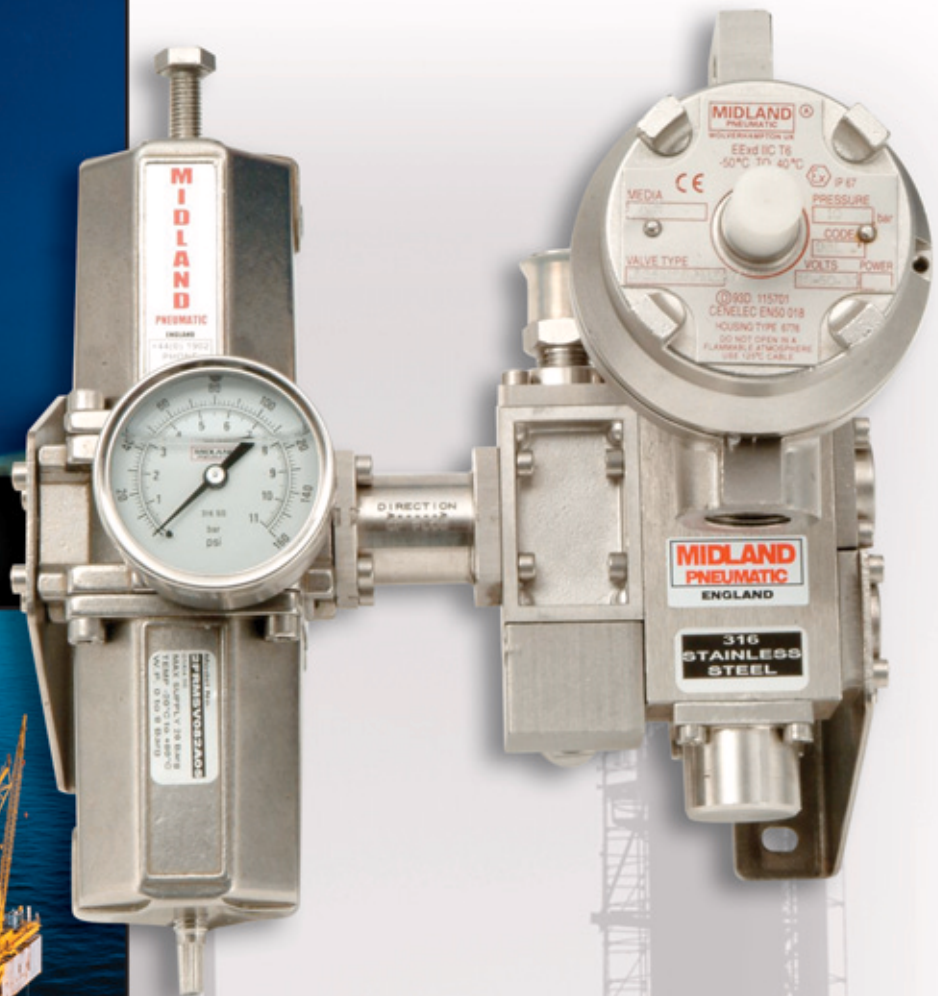
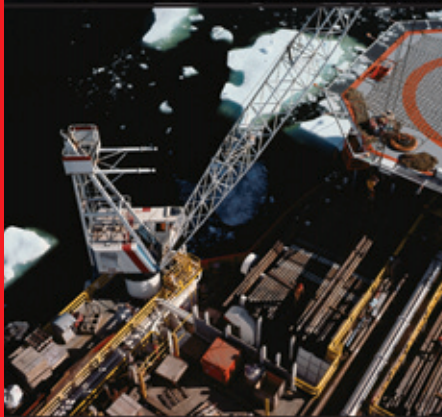


**SOLDO**  
CONTROLS

A rotork® Brand



Fine Controls (UK) LTD, Bassendale Road, Croft Business Park,  
Bromborough, Wirral, CH62 3QL UK  
Tel: 0151 343 9966  
Email: sales@finecontrols.com



# IMPACT 2000™

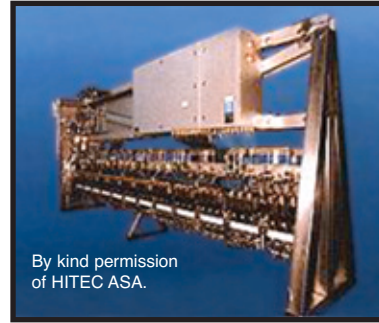
## International Modular Pneumatic Actuator Control Technology 2000

- Save Time
- Save up to 25% on Weight
- Improved Integrity

- Automatic Door Controls
- Local Wellhead Controls

- **Offshore Oil & Gas**

- Installations, Topside & Subsea
- Onshore Oil & Gas Pipelines
- Mining



- **Chemical & Petroleum Plants**

- Emergency Shutdown Systems (ESD)
- Fire Damper & Valve Actuator Controls



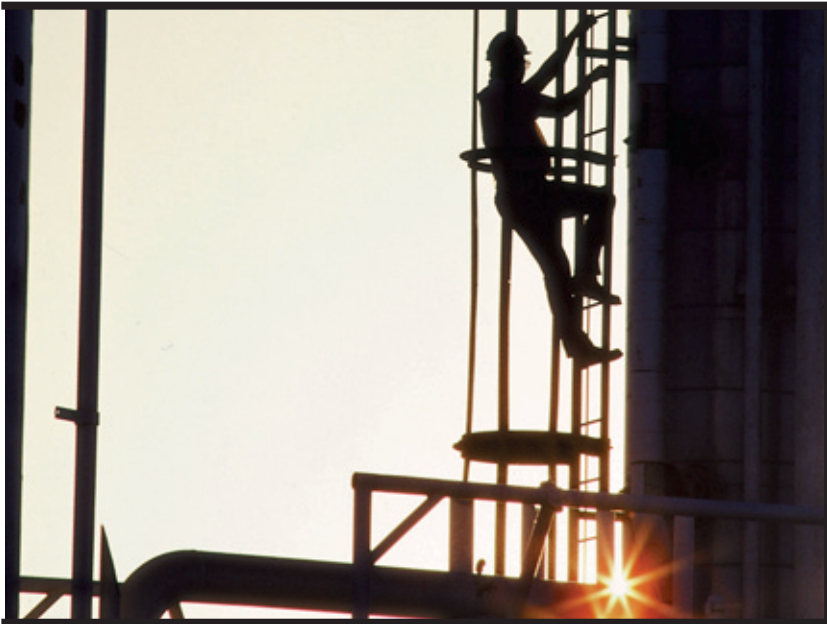
- **Power Generation**

- Combined Cycle Power Plants
- Hydro-electric & Nuclear Plants



concepts that deliver cost-effective results.

Whatever your need, you'll find that our range, our service, our attention to detail, our stringent quality control and our approach to innovation has put us in the very forefront of valve design and manufacturing.



- **Australia**
- **Belgium**
- **Brasil**
- **Canada**
- **Finland**
- **France**
- **India**
- **Indonesia**
- **Italy**
- **Malaysia**
- **Mexico**



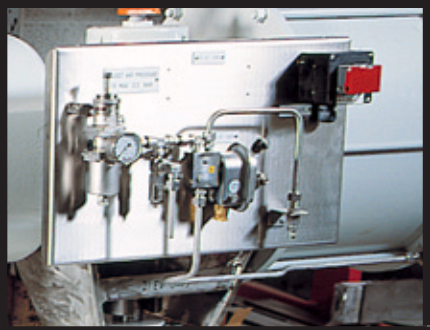
- **Netherlands**
- **Norway**
- **Singapore**
- **South Africa**
- **South Korea**
- **Spain**
- **Sweden**
- **United Arab Emirates**
- **United Kingdom**
- **United States**
- **Venezuela**

## **Our Customers**

Midland-ACS's growing list of customers includes many well-known multinational companies reflect our international presence:

- **ABB Control Valves**
- **Bettis Actuator**
- **Biffi Actuator**
- **Brown and Root**
- **Cameron Willis**
- **Cooper Cameron**
- **Dresser Masonelian**
- **Emerson Process Management**
- **Flowserve**
- **Fluor Daniel**
- **Kvaerner**
- **Masterflo**
- **Mokveld**
- **N-Line Valves**
- **Neles Controls**
- **Rotork Fluid System**
- **Scana Industries**
- **Severn Glocon**
- **Shell Expro**
- **SPX Valves**
- **Statoil**
- **Varco Shafer**
- **Weir Valves & Cont**

# International Modular Pneumatic Actuator Control Technology 2000

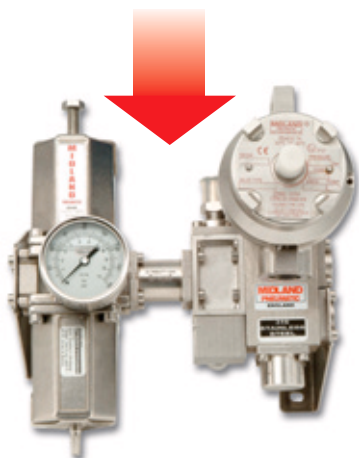


IMPACT 2000™ is a high integrity modular pneumatic actuator assembly in 316 Stainless Steel. Lighter, stronger and more compact than traditional panel mounting. IMPACT 2000™ offers a significant reduction in installed cost in both CAPEX and OPEX over panel mounted actuators. The modular system does away with complex arrangements of pipes and additional fittings. Using a range of field proven components such as valves, spool, poppet or direct acting, and filter regulators are available in series using a universally compatible interface block and mounted directly onto the valve actuator.

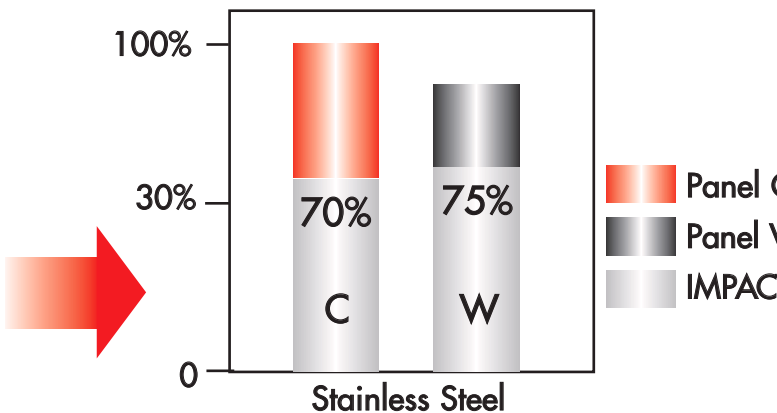
Each unit is supplied assembled and tested, ready to fit and operate. No design work is required from the contractor and all components are kept in stock, resulting in short lead times. IMPACT 2000™ units are ideal for both hazardous area and industrial use, with ATEX, NEMA, UL and CSA approvals. Units will interface with all global pneumatic actuators.

Midland-ACS have been manufacturers of stainless steel and pneumatic components for over forty years, that wealth of experience has resulted in a range of field proven specialist products renowned for their performance and reliability.

**CHANGE THIS**

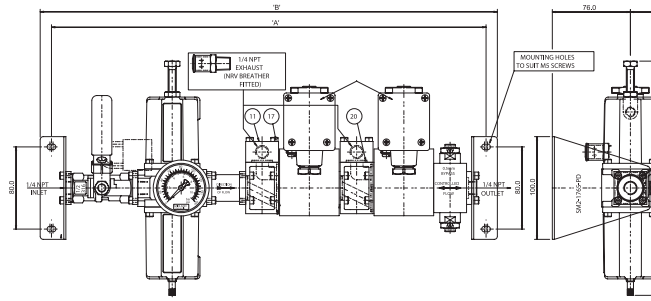
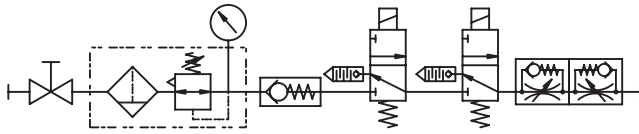


**FOR THIS**



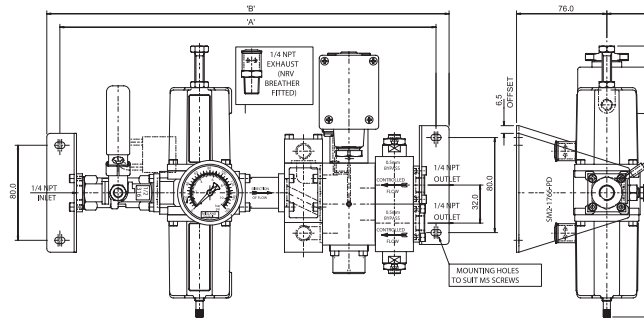
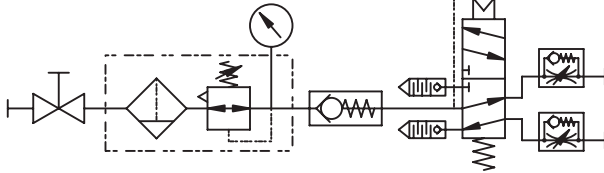
## Circuit Sample 2

## Dimensional D



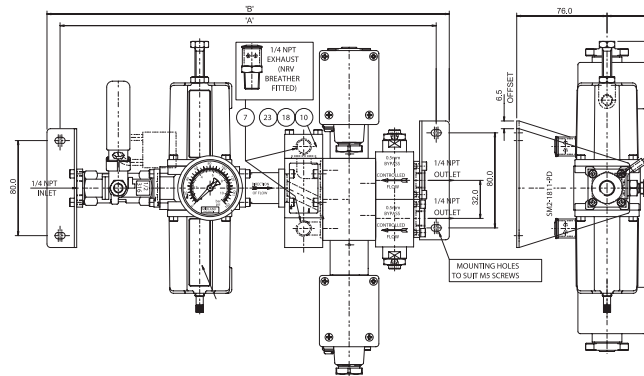
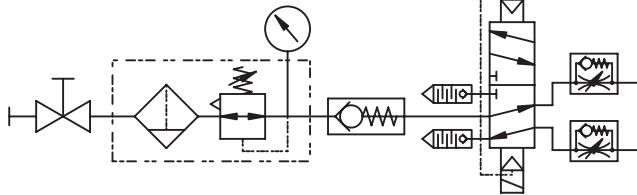
## Circuit Sample 3

## Dimensional D



## Circuit Sample 4

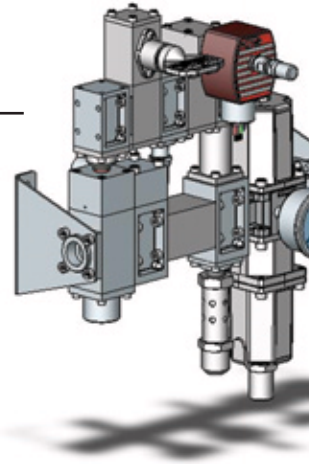
## Dimensional D



By engineering the system to fit onto the actuator the need for a stainless steel plate was eliminated as well as the need for many stainless steel fittings, tubing and other mounting accessories.

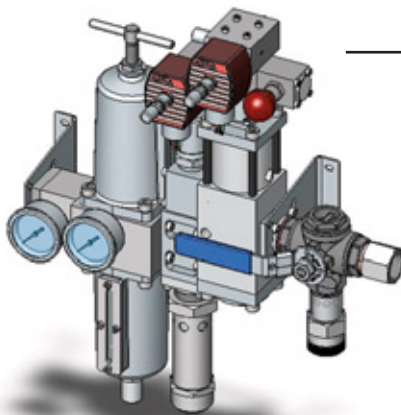
### Custom Features

- 1/2" Manifold Assembly
- Filter Regulator - Auto Drain
- Relief Valve
- Pilot Solenoid Valve Auto Reset
- Key Operated Valve
- Pilot Air Operated Poppet Valve



### Custom Features

- 3/4" Manifold Assembly
- Filter Regulator - Auto Drain
- Relief Valve
- Pilot Solenoid Valve Auto Reset
- Pilot Solenoid Valve Manual Reset
- Pilot Air Operated Poppet Valve
- Manual 3-Way Ball Valve







## UNIVERSAL INTERFACE BLOCK



- Low Power Solenoid
- Allows any combination of components
- Compact
- High Strength
- O-ring seals
- No pipes & No fittings
- Simple auxiliary take off: Tanks, Gauges etc...

**316**  
STAINLESS STEEL