

FINE CONTROLS (UK) LTD



Fine Controls have been supplying process controls & instrumentation equipment since 1994, & now serves an ever expanding customer base, both in the UK & globally.

We offer a full range of valve & instrumentation products & services, with our product range representing leading technologies & brands:

Flow: Flow Meters & Transmitters, Flow Switches, Flow Control Valves & Batch Control Systems

Temperature: Temperature Probes & Thermowells, Temperature transmitters, Temperature Regulators & Temperature Displays

Level: Level Transmitters & Switches

Pressure: Pressure Gauges & Transmitters, Precision & High Pressure Regulators & I-P Converters, Volume boosters.

Precision Pneumatics: Pressure Regulators, I-P Converters, Volume Boosters, Vacuum Regulators

Valves: Solenoid & Pneumatic Valves, Control Valves & Positioners, Actuated Ball, Globe or Diaphragm Valves & Isolation Valves

Services: Repair, Calibration, Panel Build, System Design & Commissioning

A rotork® Brand
FAIRCHILD



bürkert



SIEMENS



alcon
SOLENOID VALVES

A rotork® Brand



MIDLAND-ACS
A rotork® Brand



Honeywell



Bourdon
Baumer Group



SOLDO
CONTROLS

A rotork® Brand



Fine Controls (UK) LTD, Bassendale Road, Croft Business Park,
Bromborough, Wirral, CH62 3QL UK
Tel: 0151 343 9966
Email: sales@finecontrols.com

DN2 SERIES BALL SEATED HYDRAULIC SOLENOID PILOT VALVE



- Specifically designed for Severe Offshore Environments
- Certified for Zone 1, Class 1 Hazardous Areas
- ATEX 94/9/EC
- M.T.B.F., SFF, PFD and SIL Data (Available upon request)
- Easy Installation, Repair and Replacement
- Low Power Consumption (< 1 & 3.5 Watts)
- 316 Stainless Steel Construction
- Wide range of operators available
- 690 bar Max Operating Pressure
- Leak tight
- 1 litre/min

CERTIFICATION OPTIONS AVAILABLE



General Description

The DN2 is a ball seated hydraulic control valve. The stainless steel seat and ceramic ball design ensures a leak tight shut off. The DN2 valve design incorporates a balanced internal piloting system and a lever mechanism to enable low powered operators to switch the valve at high pressures.

The DN2 valve itself features an 'O' ring interface that enables it to be fitted with a 1/4" NPT ported subplate as standard, or manifold mounted for use in wellhead control applications. This interface also allows direct mounting of the DN2 valve to larger pilot-operated DN5 and DN10 valves, whereby increasing the flow capacity up to 40L/min. (Please consult factory for further information).

By removing just 4 bolts the valve can be dismantled without disturbing pipework and possibly contaminating the hydraulic system. Blanking or flushing plates can also be supplied.

DN2 SERIES BALL SEATED HYDRAULIC SOLENOID PILOT VALVE

Ambient Temperature Range

- Standard: -20°C to +60°C (-4°F to +140°F)
- Low temperature option: -50°C (-58°F)

Ingress Protection

- IP66/NEMA 4X

Filtration

- Recommended 10 micron absolute

Construction Materials

- Valve bodies and subplates: 316L Stainless Steel
- Wetted parts: various grades of stainless steel/ceramic
- Fasteners: A4, grade 80 stainless steel
- Springs: stainless steel

Protection Class

- Exd IIC T6 at 60°C
- Exd IIC T4 at 80°C
- EExia IIC T6
- EExd IIC T6
- EExme II T6

Power Consumption

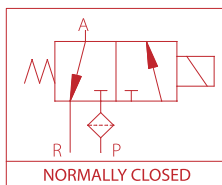
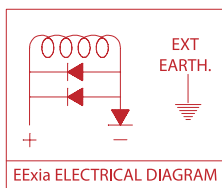
- 1 & 3.5 watts

Operating Pressure Range

- 0 to 690 bar depending on operator type

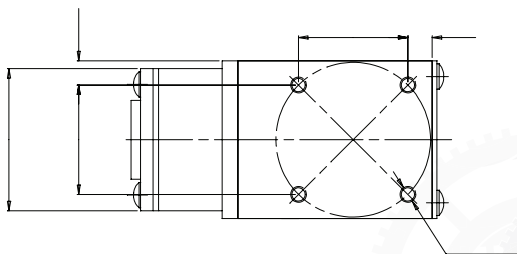
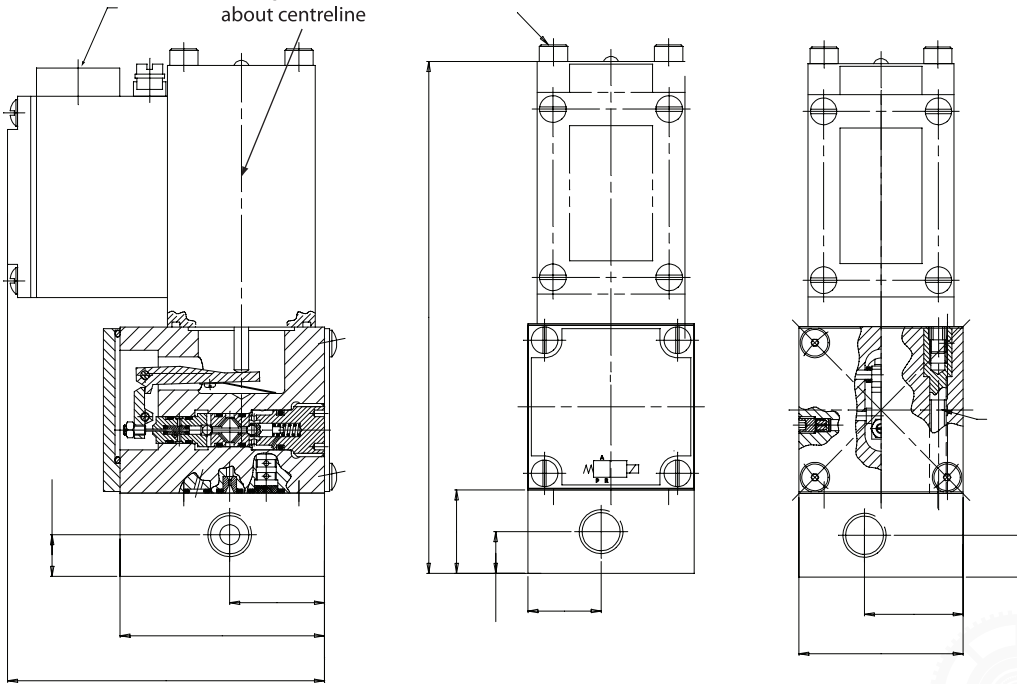
Operating Medium

- Fluids - Suitable for use with Mineral Oils, Water Glycols and Synthetic fluids



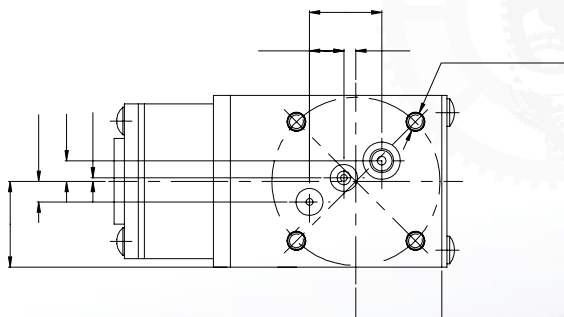
DN2 SERIES BALL SEATED SCHEMATICS

Note:
Coil can be rotated
through 90° increments
about centreline



3/2 'O' Ring Interface
Weight 2.6kg

| PORT | DIA | 'O' RING |
|---------|-----|-----------|
| P | 2.0 | 8.0 x 1.5 |
| A AND R | 2.0 | 8.0 x 1.5 |



CERTIFICATION OPTIONS AVAILABLE

