

FINE CONTROLS (UK) LTD



Fine Controls have been supplying process controls & instrumentation equipment since 1994, & now serves an ever expanding customer base, both in the UK & globally.

We offer a full range of valve & instrumentation products & services, with our product range representing leading technologies & brands:

Flow: Flow Meters & Transmitters, Flow Switches, Flow Control Valves & Batch Control Systems

Temperature: Temperature Probes & Thermowells, Temperature transmitters, Temperature Regulators & Temperature Displays

Level: Level Transmitters & Switches

Pressure: Pressure Gauges & Transmitters, Precision & High Pressure Regulators & I-P Converters, Volume boosters.

Precision Pneumatics: Pressure Regulators, I-P Converters, Volume Boosters, Vacuum Regulators

Valves: Solenoid & Pneumatic Valves, Control Valves & Positioners, Actuated Ball, Globe or Diaphragm Valves & Isolation Valves

Services: Repair, Calibration, Panel Build, System Design & Commissioning

A rotork® Brand
FAIRCHILD



bürkert



SIEMENS



alcon
SOLENOID VALVES

A rotork® Brand



MIDLAND-ACS
A rotork® Brand



Honeywell



Bourdon
Baumer Group



SOLDO
CONTROLS

A rotork® Brand



Fine Controls (UK) LTD, Bassendale Road, Croft Business Park,
Bromborough, Wirral, CH62 3QL UK
Tel: 0151 343 9966
Email: sales@finecontrols.com

3575 SERIES AIR SERVICE UNITS FILTER REGULATORS



- Specifically designed for Severe Offshore Environments
- Self-relieving
- Manual or auto-drain
- 25 Micron element
- Easy Installation, Repair and Replacement
- Ambient Temperature Range -20°C to +80°C
(Low temperature version -50°C)
- 316 Stainless Steel Construction
- Large flow paths minimise pressure drop

General Description

A 316 Stainless Steel combined unit for filtration and regulation of compressed air in the offshore and allied industries.

Regulated Pressure

0.50	to	2 bar	(7.2	to	29psi)
0.50	to	4 bar	(7.2	to	58psi)
0.50	to	8 bar	(7.2	to	116psi)
0.50	to	12 bar	(7.2	to	174psi)

Units ordered with a specified pressure range will be supplied complete with a pilot regulator piped using double ferrule fittings

Ports NPT (BSP option available)

- 2", 1½"

Gauge Ports (BSP option available)

- 1/8" NPT
- ¼" NPT (option available)

Relief Vent Port

- ½" NPT (Fitted with bug screen)

Ingress Protection

- IP65 when fitted with optional vent port filter

Ambient Temperature Range

- Standard: -20°C to +80°C (-4°F to +176°F)
- Low Temp: -50°C (-58°F) (optional)

Maximum Relief Flow

- At 2 bar (29psi) secondary pressure
0.5cc/sec (0.03 cu in/sec)

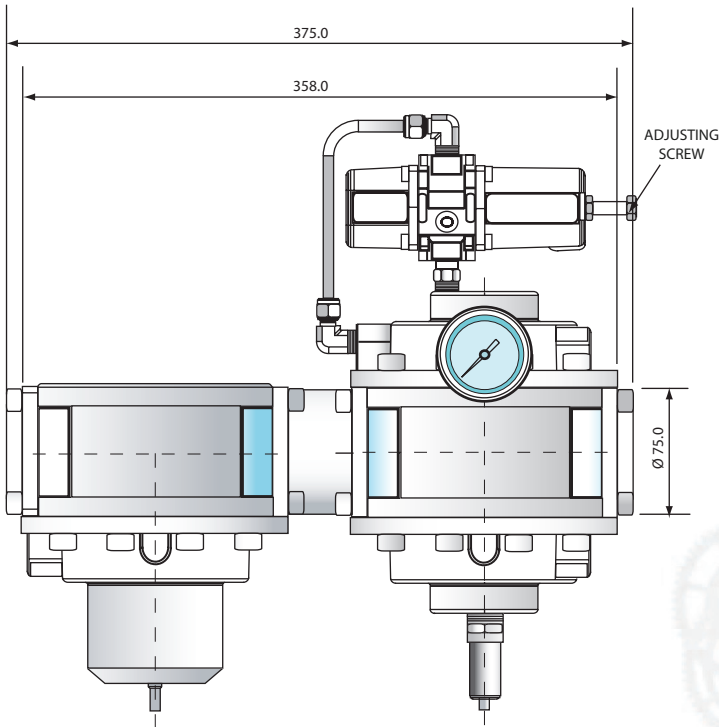
Maximum Inlet Pressure

- 20 bar (290 psi)
- 17 bar (Auto drain)

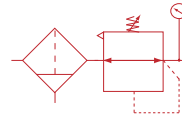
Cv

2"	45 Cv
1½"	38 Cv

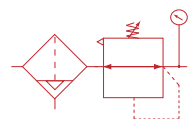
3575 SERIES AIR SERVICE UNITS FILTER REGULATORS



Self Relieving with
manual drain



Self Relieving with
automatic drain

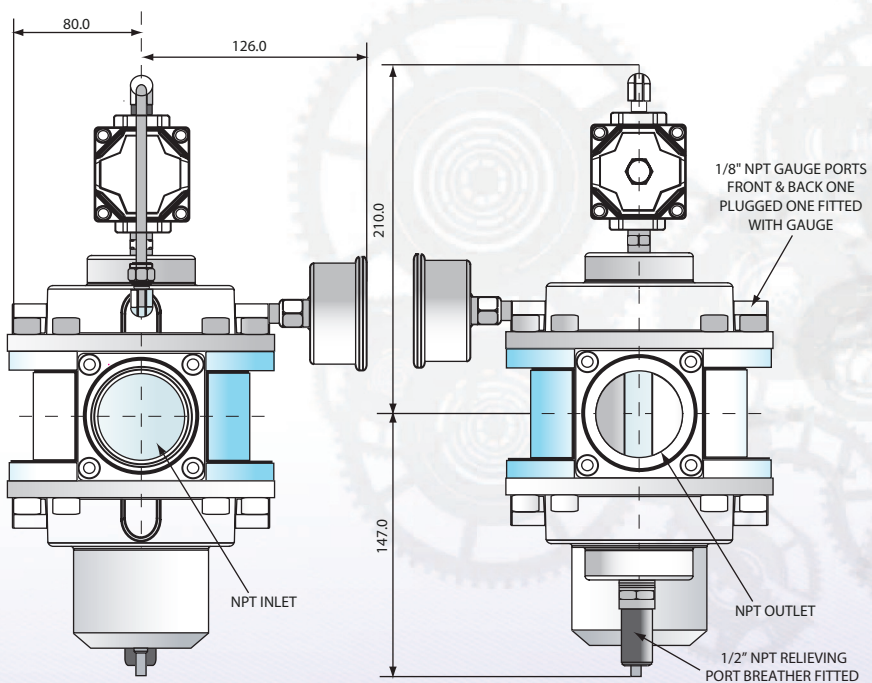


Working Pressure 0 - 10 bar

Working Temperature -20 to +80°C

Maximum Inlet Pressure 20/17 bar

Weight 19 kg



3575 SERIES AIR SERVICE UNITS FILTERS



- Specifically designed for Severe Offshore Environments
- 25 micron element
- Easy Installation, Repair and Replacement
- Ambient Temperature Range -20°C to +80°C
(Low temperature version -50°C)
- 316 Stainless Steel Construction
- Large flow paths minimise pressure drop

General Description

A 316 Stainless Steel compressed air filter, designed to provide clean air for offshore and allied industries.

Ambient temperature range

- Standard: -20°C to +80°C (-4°F to +176°F)
- Low Temp: -50°C (-58°F) (optional)

Working Pressure

- Manual drain 20 bar (290psi)
- Automatic drain 17 bar (247psi)

Bowl Retention Capacity

- 21cc (1.28 cu ins)

Cv (Kv)

- 2" - 45 Cv

Maximum Flow

- 6 bar (87 psi), 1 bar (14.5 psi) differential
- 2" - 45000 L/Min (1590 SCFM)

Ports NPT (BSP option available)

- 2", 1½"

Automatic Drain Port

- 1/8" NPT (Fitted with bug screen)

Ingress Protection

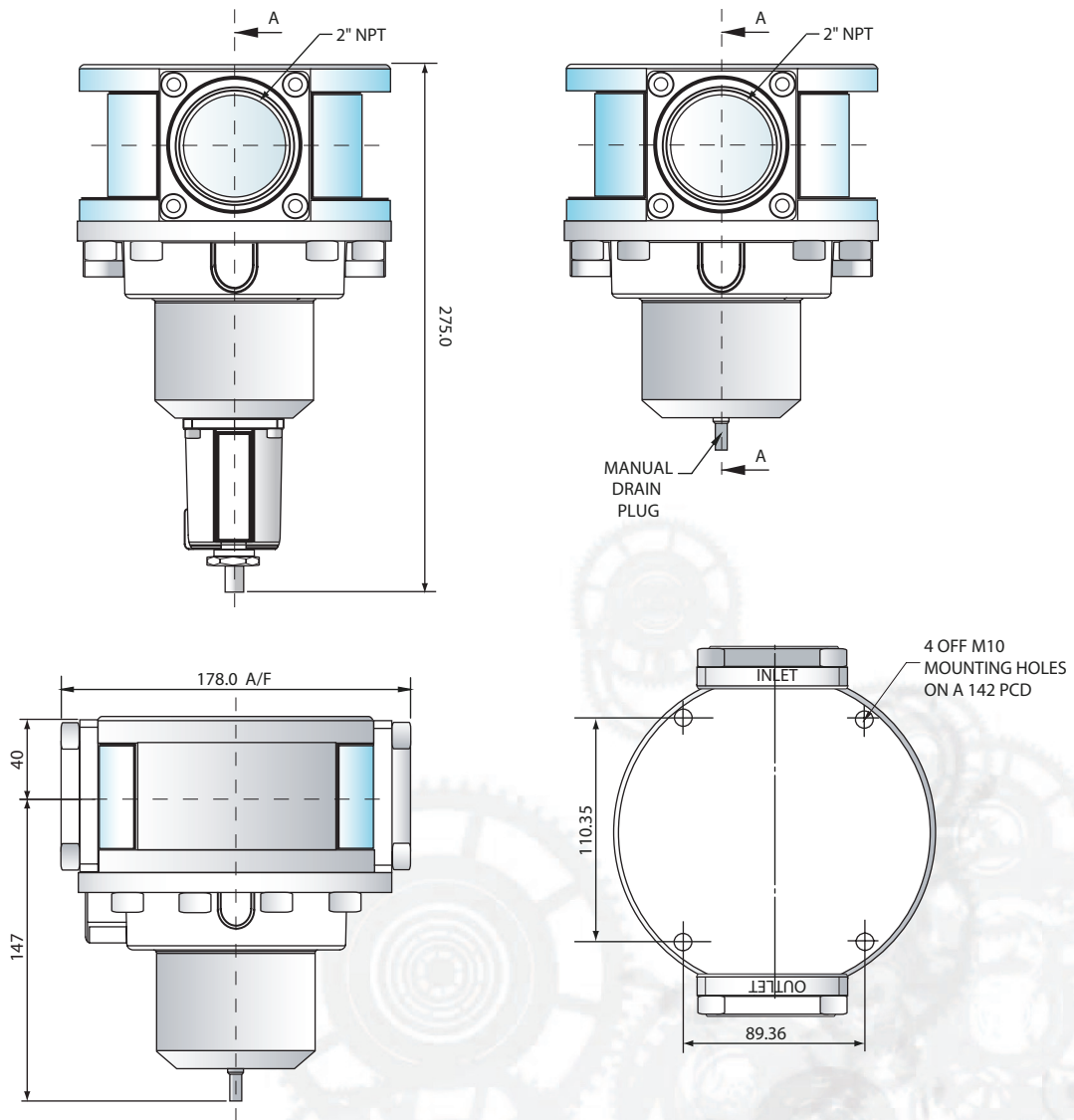
- IP65 when fitted with optional vent port filter

Preferred Models

7FLMSN202	1½" filter with manual drain
7FLASN172	1½" filter with automatic drain
9FLMSN202	2" filter with manual drain
9FLASN172	2" filter with automatic drain

For BSPP replace 2 in position 9 with 1

3575 SERIES AIR SERVICE UNITS FILTERS



Filter with
manual drain



Filter with
automatic drain



Working Pressure 20/17 bar

Working Temperature -20 to +80°C

Filter Element 25 Micron

Weight 8.7 kg

3575 SERIES AIR SERVICE UNITS PRESSURE REGULATORS



- Specifically designed for Severe Offshore Environments
- Self-relieving
- Easy Installation, Repair and Replacement
- Ambient Temperature Range -20°C to +80°C
(Low temperature version -50°C)
- 316 Stainless Steel Construction
- Large flow characteristics

General Description

A 316 Stainless Steel unit for the pressure regulation of compressed air for offshore and allied industries.

Regulated Pressure

0.50	to	2 bar	(7.2	to	29psi)
0.50	to	4 bar	(7.2	to	58psi)
0.50	to	8 bar	(7.2	to	116psi)
0.50	to	12 bar	(7.2	to	174psi)

Units ordered with a specified pressure range will be supplied complete with a pilot regulator piped using double ferrule fittings

Ports NPT (BSP option available)

- 2", 1½"

Gauge Ports (BSP option available)

- 1/8" NPT
- 1/4" NPT (option available)

Relief Vent Port

- 1/8" NPT (Fitted with bug screen)

Ingress Protection

- IP65 when fitted with optional vent port filter

Maximum Flow

- 6 bar (87 psi), 1 bar (14.5 psi) differential
- 2" - 45000 L/Min (1590 SCFM)

Ambient Temperature Range

- Standard: -20°C to +80°C (-4°F to +176°F)
- Low Temp: -50°C (-58°F) (optional)

Maximum Relief Flow

- At 2 bar (29psi) secondary pressure
0.5cc/sec (0.03 cu in/sec)

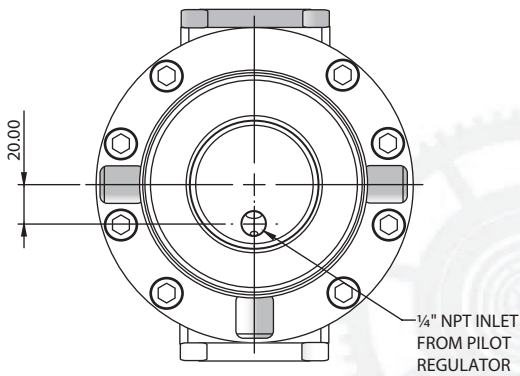
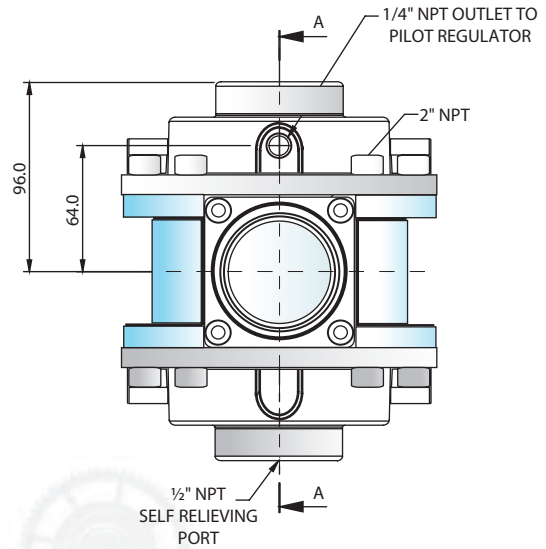
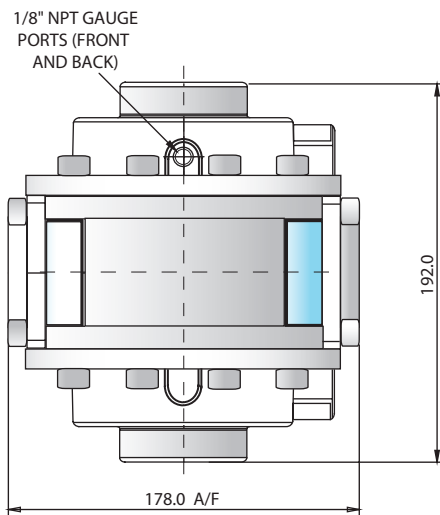
Maximum Inlet Pressure

- 20 bar (290 psi)

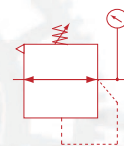
Cv

2"	45 Cv
1½"	38 Cv

3575 SERIES AIR SERVICE UNITS PRESSURE REGULATORS



Self-reliving



- Working Pressure 0 - 10 bar
- Working Temperature -20 to +80°C
- Maximum Inlet Pressure 20 bar
- Weight 11 kg