

FINE CONTROLS (UK) LTD



Fine Controls have been supplying process controls & instrumentation equipment since 1994, & now serves an ever expanding customer base, both in the UK & globally.

We offer a full range of valve & instrumentation products & services, with our product range representing leading technologies & brands:

Flow: Flow Meters & Transmitters, Flow Switches, Flow Control Valves & Batch Control Systems

Temperature: Temperature Probes & Thermowells, Temperature transmitters, Temperature Regulators & Temperature Displays

Level: Level Transmitters & Switches

Pressure: Pressure Gauges & Transmitters, Precision & High Pressure Regulators & I-P Converters, Volume boosters.

Precision Pneumatics: Pressure Regulators, I-P Converters, Volume Boosters, Vacuum Regulators

Valves: Solenoid & Pneumatic Valves, Control Valves & Positioners, Actuated Ball, Globe or Diaphragm Valves & Isolation Valves

Services: Repair, Calibration, Panel Build, System Design & Commissioning

A rotork® Brand
FAIRCHILD



bürkert



SIEMENS



alcon
SOLENOID VALVES

A rotork® Brand



MIDLAND-ACS
A rotork® Brand



Honeywell



Bourdon
Baumer Group



SOLDO
CONTROLS

A rotork® Brand



Fine Controls (UK) LTD, Bassendale Road, Croft Business Park,
Bromborough, Wirral, CH62 3QL UK
Tel: 0151 343 9966
Email: sales@finecontrols.com

PILOT SOLENOID OPERATED



General Description

A range of compact 3/2 pilot solenoid operated poppet valves in Stainless Steel for use on gases and liquids.

- High flow.
- Hazardous area solenoids.
- Coil with 316 housing.
- ATEX
- UL / CSA
- Low temperature range.

Operating Medium

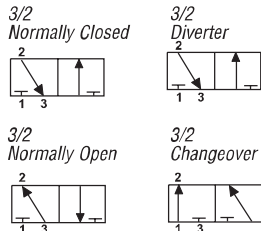
Gases

Filtered lubricated or non-lubricated air, inert gas, sweet (natural) gases.
sour gas option available.
(details on application)

Liquids

Low pressure hydraulic, mineral oil or water.
(details on application)

Functional Symbols



Technical Data

Ports

- 1/4" - 1-1/2" NPT (BSP option available)
- 1/4" NPT pilot ports

Working Pressure (gases & liquids)

- 3 to 12 bar (45 to 174 psi)

Cv (Kv)

- 1/4" - 1.75 (25) 3/8" - 2.2 (31)
- 1/2" - 4.00 (57) 3/4" - 10.2 (146)
- 1" - 15.0 (214) 1-1/4" - 20.0 (286)
- 1-1/2" - 28.0 (400)

Working Temperature

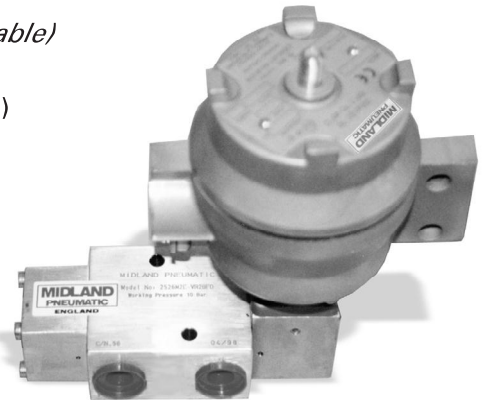
- Valve only version
-20°C to +180°C (-4°F to +356°F)
- Solenoid - Ambient temperature
-20°C to +65°C (-4°F to +149°F)
- Low temperature version
-50°C (-58°F) (optional)

Minimum Pilot Pressure

- At 6.3 bar (90 psi) body pressure
1/4" - 3/8" Spring return
4.0 bar (58.0 psi)
1/2" - 1-1/2" Spring return
3.0 bar (43.5 psi)

Maximum Flow

- 6 bar (87 psi), 1 bar (14.5 psi) differential
- 1/4" - 2668 L/min (94 SCFM)
- 3/8" - 3521 L/min (124 SCFM)
- 1/2" - 6402 L/min (226 SCFM)
- 3/4" - 16005 L/min (565 SCFM)
- 1" - 24008 L/min (848 SCFM)
- 1-1/4" - 32010 L/min (1130 SCFM)
- 1-1/2" - 44814 L/min (1583 SCFM)



Construction Materials

- Stainless Steel AISI 316L to NACE MR-01-75 Body
- Stainless Steel AISI 316L to NACE MR-01-75 Poppet
- 316 Stainless Steel Spring
- 1/4", 3/8" and 1/2" Fluoroelastomer
- 3/4", 1", 1-1/4" and 1-1/2" Nitrile

Solenoid

- Refer to solenoid specification

Model Code

1 **32**
 2 **-M2**
 3
 4 **C2B**
 5 **Solenoid Type**
 6 **Voltage Codes**

Size
 2 = 1/4"
 3 = 3/8"
 4 = 1/2"
 6 = 3/4"
 8 = 1"
 5 = 1-1/4"
 7 = 1-1/2"

Function
 3 = N/C
 5 = Universal

Operator
 1 = Air
 3 = N/C solenoid
 4 = Univ solenoid
 E = End solenoid

Body Seals
 V = St St / Fluoroelastomer
 S = St St / Nitrile
 E = St St / Low Temp

Solenoid Type
 See Solenoid Model Codes on page 1500.2

Voltage Codes
 C = 12v DC
 D = 24v DC
 M = 110v 50/60Hz AC
 N = 120v 60Hz AC
 Q = 240v 60Hz AC
 S = 220/230v 50/60Hz AC
 Y = 28v DC
 (solenoid type T only)
 other voltages special order

1750 Poppet Valves

POPPET VALVES • 1/4" - 1 1/2", 3/2, NPT (BSP)

1750 SERIES

1750 PNEUMATIC VALVES

PILOT SOLENOID OPERATED

SOLENOID MODEL CODES



| Model Code | Safety Rating | Protection and Housing Material | Approved Area | Ingress Protection | Weight kg (lbs) |
|------------|-----------------|---|--|--------------------|-----------------|
| CL | NEMA 7 & 9 | Flameproof. Stainless Steel Class H insulation | Class I, Groups C & D Class II, Groups E, F & G | NEMA 4 | 0.29 (0.65) |
| D | EExd IIC T5 | Flameproof. Ferritic cast iron. | Zones 1 and 2 | IP67 | 1.30 (2.87) |
| K | EExd IIC T6 | Flameproof. 316 Stainless Steel or Aluminium. | Zones 1 and 2 | IP67 | 1.62 (3.57) |
| P | EEx me II T4/T5 | Increased encapsulation. Glass reinforced polyamid. | Zones 1 and 2 | IP66 | 0.63 (1.39) |
| T | EEx ia IIC T6 | Intrinsically safe. Glass reinforced polyamid. | Zones 0 | IP66 | 0.53 (1.17) |
| 4 | None | 32mm solenoid. Moulded Plastic. | Not approved | IP65 | 0.20 (0.44) |

Preferred models

| Model Number | Description | Weight kg (lbs) | Symbol |
|----------------|---|---------------------|--------|
| 2323M23-VC2B*+ | 1/4" NPT 3/2 Pilot solenoid operated, spring return, N/C | 0.65 (1.43) + Sol | |
| 2325M24-VC2B*+ | 1/4" NPT 3/2 Pilot solenoid operated, spring return, UNIV | 0.65 (1.98) + Sol | |
| 3323M23-VC2B*+ | 3/8" NPT 3/2 Pilot solenoid operated, spring return, N/C | 0.90 (3.31) + Sol | |
| 3325M24-VC2B*+ | 3/8" NPT 3/2 Pilot solenoid operated, spring return, N/C | 0.90 (3.31) + Sol | |
| 4323M23-VC2B*+ | 1/2" NPT 3/2 Pilot solenoid operated, spring return, N/C | 1.50 (19.97) + Sol | |
| 4325M24-SC2B*+ | 1/2" NPT 3/2 Pilot solenoid operated, spring return, UNIV | 1.50 (24.38) + Sol | |
| 6325M24-SC2B*+ | 3/4" NPT 3/2 Pilot solenoid operated, spring return, UNIV | 5.06 (24.38) + Sol | |
| 8325M24-SC2B*+ | 1" NPT 3/2 Pilot solenoid operated, spring return, UNIV | 5.06 (24.38) + Sol | |
| 5325M24-SC2B*+ | 1 1/4" NPT 3/2 Pilot solenoid operated, spring return, UNIV | 9.06 (24.38) + Sol | |
| 7325M24-SC2B*+ | 1 1/2" NPT 3/2 Pilot solenoid operated, spring return, UNIV | 11.06 (24.38) + Sol | |

*Specify solenoid type

+ Specify solenoid voltage

Without solenoid fitted specify "Z" in position 13 (for Zones 0,1 & 2), 'A' in a position 13 (for NEMA 7 & 9).

1/4", 3/8" and 1/2" Normally Closed versions have internal air supply to the solenoid - Specify code 3 in position 4 and code 3 in position 7 of model number code.

1/4", 3/8" and 1/2" Normally Open and Universal versions require a separate air supply to the pilot solenoid - Specify code 5 in position 4 and code 4 in position 7 of model number code.

3/4" to 1 1/2" Normally Open, Normally closed and Universal versions always require a separate main air supply to be taken to the pilot solenoid - Specify code 5 in position 4 and code 4 of position 7 of model number code.

It is recommended that consideration be given to positioning a non-return valve in the separate supply line to the solenoid. This will help to prevent back-flow from the solenoid servo should a temporary/severe pressure drop occur across the main valve when it opens.

1750 Poppet Valves

POPPET VALVES • 1/4" - 1 1/2", 3/2, NPT (BSP)

1750 SERIES

PILOT SOLENOID OPERATED



SOLENOID ASSEMBLIES SOLENOID CODE K (EExd IIC T6), SOLENOID CODE KC (NEMA 7 & 9)

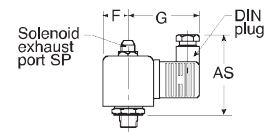
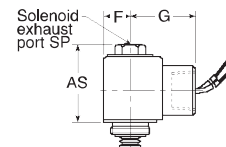
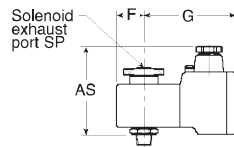
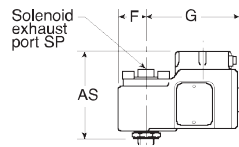
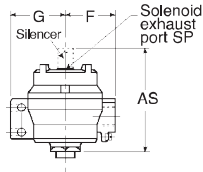
Solenoid code K
(EExd IIC T6)

Solenoid code D
(EExd IIC T5)

Solenoid code P
(EEx me II T4/T5)
Solenoid code T
(EEx ai IIC T6)

Solenoid code CL
(NEMA 7 & 9)

Solenoid code 4
(None/hazardous)



INSTALLATION DIMENSIONS mm (inches)

| Model Code | AS | F | G | SP |
|------------|------------|-------------|-----------|----------|
| CL | 42(1.65) | 18 (0.71) | 40 (1.57) | 1/8" NPT |
| D | 76(2.99) | 25 (0.71) | 84 (1.57) | 1/8" NPT |
| K | 110(4.33) | 52 (0.71) | 58 (1.57) | M8 |
| P & T | 71.5(2.81) | 25 (0.71) | 81 (1.57) | 1/8" NPT |
| 4 | 57(2.24) | 19.5 (0.71) | 50 (1.57) | 1/8" NPT |

SOLENOID SPECIFICATIONS

| Model Code | K | D | P | T | CL | 4 |
|--|--|--------------------------------------|---|------------------------------|--|-----------------------|
| Type of Protection | EExd IIC T6 | EExd IIC T5 | EEx me II T4/T5 | EEx ia IIC T6 | NEMA 7 & 9 | None |
| Approved Area | Zones 1 and 2 | Zones 1 and 2 | Zones 1 and 2 | Zone 0 | Class I, Groups C & D, Class II Groups E, F & G | None |
| Degree of Protection | IP67 | IP67 | IP66 | IP66 | NEMA 4 (IP55) | IP65 |
| Housing | 316 Stainless Steel alt Aluminium Epoxy coated | Ferritic, Cast Iron Epoxy painted | Glass reinforced Polyamid (St St conduit hub) | Glass reinforced Polyamid | Chromate Steel Stainless Steel Coil potted | Molded Plastic |
| Cable entry (Alt cable entry available) | M20 x 1.5 | M20 x 1.5 | M20 x 1.5 | M20 x 1.5 | 1/2" NPT 24" leads | DIN plug |
| Power Consumption | DC 5W AC 5W | 8W | 6W | 0.3W | 7.3W 1.8W 7.3W 1.8W 5.6W 1.8W 5.6W 1.8W | 9W 9W(inrush 32VA) |
| Maximum Admissable Surface Temp | 85°C (185°F) | 100°C (212°F) | T4 135°C (275°F) T5 100°C (212°F) | 85°C (185°F) | 160°C (320°F) | N/A |
| Maximum Ambient Temperature | 40°C (104°F) | 40°C (104°F) | T4 75°C (167°F) T5 40°C (104°F) | 65°C (149°F) | 40°C (104°F) | 55°C (131°F) |
| Maximum Fluid Temp | 80°C (176°F) | 75°C (167°F) | 75°C (167°F) | 75°C (167°F) | 105°C (221°F) | 75°C (167°F) |
| Approved Standard | ATEX | ATEX | ATEX | ATEX | UL Listed CSA Certified | N/A N/A |
| Certificate Number | SIRA03ATEX1319 | 02ATEX6008X | 02ATEX6023X | 02ATEX6066X | 026894X0000 | N/A |

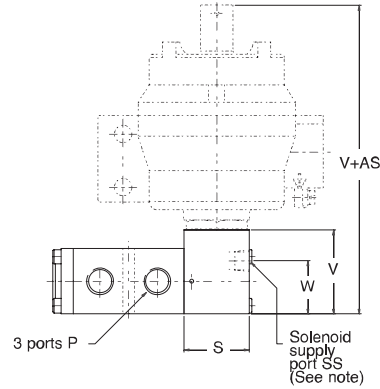
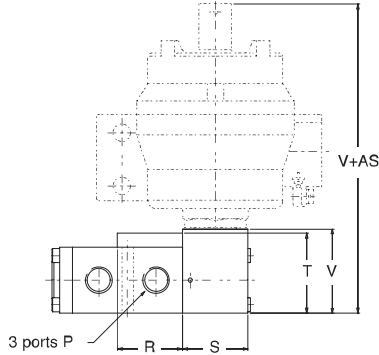
PILOT SOLENOID OPERATED INSTALLATION DIMENSIONS mm (inches)



3/2 Pilot Solenoid Operated - Spring Return, 1/4", 3/8", 1/2" Valve Bases

2323M23-VC2B*+
3323M23-VC2B*+
4323M23-VC2B*+

2323M24-VC2B*+
3323M24-VC2B*+
4323M24-VC2B*+



For solenoid dimensions, see page 1750.3

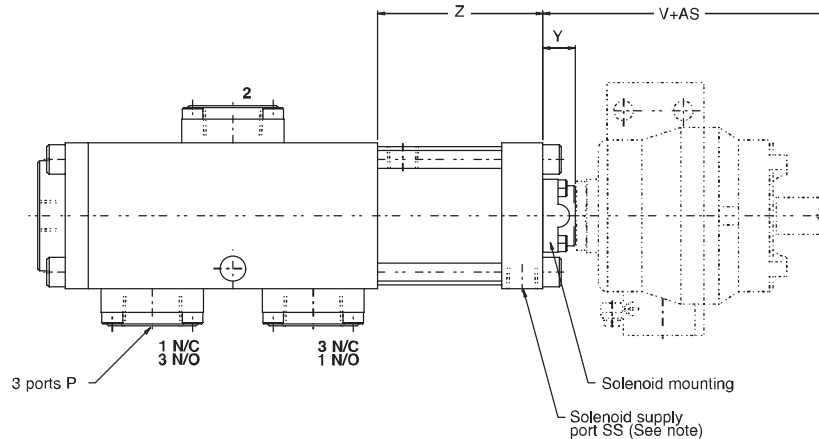
| Model Number | P | R | S | T | V | VE | W | X | SS |
|----------------|---------------------|-----------|----------|----------|----------|----|----------|---|-------------------|
| 2323M23-VC2B*+ | 1/4" NPT (1/4" NPT) | 32 (1.26) | 32(1.26) | 39(1.54) | 41(1.61) | - | - | - | - |
| 2325M24-VC2B*+ | 1/4" NPT (1/4" NPT) | - | 32(1.26) | - | 41(1.61) | - | 26(1.02) | - | 1/8"NPT(1/8" NPT) |
| 3323M23-VC2B*+ | 3/8" NPT (3/8" NPT) | 32 (1.26) | 32(1.26) | 39(1.54) | 41(1.61) | - | - | - | - |
| 3325M24-VC2B*+ | 3/8" NPT (3/8" NPT) | - | 32(1.26) | - | 41(1.61) | - | 26(1.02) | - | 1/8"NPT(1/8" NPT) |
| 4323M23-VC2B*+ | 1/2" NPT (1/2" NPT) | 38 (1.50) | 32(1.26) | 45(1.77) | 50(1.97) | - | - | - | - |
| 4325M24-VC2B*+ | 1/2" NPT (1/2" NPT) | - | 32(1.26) | - | 50(1.97) | - | 37(1.46) | - | 1/8"NPT(1/8" NPT) |

1/4", 3/8" and 1/2" Normally closed versions have internal air supply to the solenoid - Specify code 3 in position 4 and code 3 in position 7 of model number code.

1/4", 3/8" and 1/2" Normally open and Universal versions require a separate air supply to the pilot solenoid - Specify code 5 in position 4 and code 4 in position 7 of model number code.

3/2 Pilot Solenoid Operated - Spring Return, 3/4", 1", 1-1/4", 1-1/2" Valve Bases

6323M24-SC2B*+
8323M24-SC2B*+
5323M24-SC2B*+
7323M24-SC2B*+



For basic valve dimensions, see page 1750.6 For Solenoid dimensions see page 1750.3

| Model Number | P | Y | Z | SS |
|----------------|-------------------------|-----------|----------|-------------------|
| 6325M24-SC2B*+ | 3/4" NPT (1/4" NPT) | 14 (0.55) | 72(2.83) | 1/4"NPT(1/4" NPT) |
| 8325M24-SC2B*+ | 1"NPT (1/4" NPT) | 14 (0.55) | 72(2.83) | 1/4"NPT(1/4" NPT) |
| 5325M24-SC2B*+ | 1 1/4" NPT (1 1/4" NPT) | 14 (0.55) | 73(2.87) | 1/4"NPT(1/4" NPT) |
| 7325M24-SC2B*+ | 1 1/2" NPT (1 1/2" NPT) | 14 (0.55) | 73(2.87) | 1/4"NPT(1/4" NPT) |

3/4" to 1 1/2" Normally open, normally closed and universal versions always require a separate mains air supply to be taken to the pilot solenoid. Specify code 5 in position 4 and code 4 of position 7 of model number code.

PILOT AIR OPERATED

General Description

A range of compact 3/2 pilot operated high flow poppet valves in stainless steel for use on gases.

- Compact
- High flow
- 3/2 N/O, N/C and Universal
- Meet NACE standard
- Non lube
- Low temperature range

Operating Medium

Gases

Filtered lubricated or non-lubricated air, inert, sweet (natural) gases.

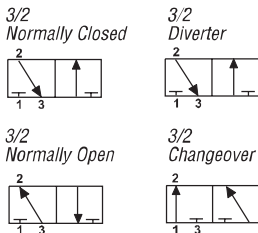
Sour gas option available. (details on application)

Liquids

Low pressure hydraulic, mineral oil or water.

(details on application)

Functional Symbols



Technical Data

Ports

- 1/4" - 1-1/2" NPT (BSP option available)
- 1/4" NPT pilot ports

Working Pressure (gases & liquids)

- 2 to 12 bar (30 to 174 psi)

Cv (Kv)

- 1/4" - 1.75 (25) 3/8" - 2.2 (31)
- 1/2" - 4.00 (57) 3/4" - 10.2 (146)
- 1" - 15.0 (214) 1-1/4" - 20.0 (286)
- 1-1/2" - 28.0 (400)

Working Temperature

- -20°C to +180°C (-4°F to +356°F)
- Low temperature version*
- -50°C (-58°F) (optional)

Minimum Pilot Pressure

- At 6.3 bar (90 psi) body pressure
- 1/4" - 3/8" Spring return
4.0 bar (58.0 psi)
- 1/2" - 1-1/2" Spring return
3.0 bar (43.5 psi)

Maximum Flow

- 6 bar (87 psi), 1 bar (14.5 psi) differential
- 1/4" - 2668 L/min (94 SCFM)
- 3/8" - 3521 L/min (124 SCFM)
- 1/2" - 6402 L/min (226 SCFM)
- 3/4" - 16005 L/min (565 SCFM)
- 1" - 24008 L/min (848 SCFM)
- 1-1/4" - 32010 L/min (1130 SCFM)
- 1-1/2" - 44814 L/min (1583 SCFM)



Construction Materials

- Stainless Steel AISI 316L to NACE MR-01-75 Body
- Stainless Steel AISI 316L to NACE MR-01-75 Poppet
- 316 Stainless Steel Spring
- 1/4", 3/8" and 1/2" Fluoroelastomer seals
- 3/4", 1", 1-1/4" and 1-1/2" Nitrile seals

Preferred Models

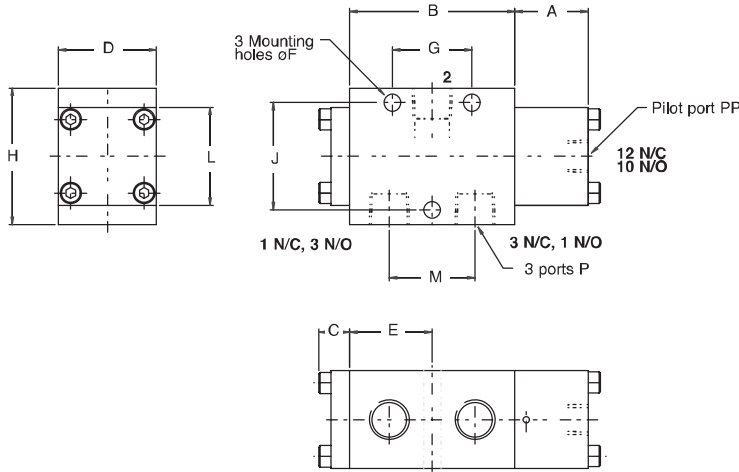
| Model Number | Description | Weight kg (lbs) | Symbol |
|--------------|--|-----------------|--------|
| 2325M21-VC2B | 1/4" NPT 3/2 Pilot air operated, spring return, UNIV | 0.65 (1.43) | |
| 3325M21-VC2B | 3/8" NPT 3/2 Pilot air operated, spring return, UNIV | 0.90 (1.98) | |
| 4325M21-VC2B | 1/2" NPT 3/2 Pilot air operated, spring return, UNIV | 1.50 (3.31) | |
| 6325M21-SC2B | 3/4" NPT 3/2 Pilot air operated, spring return, UNIV | 5.00 (11.0) | |
| 8325M21-SC2B | 1" NPT 3/2 Pilot air operated, spring return, UNIV | 5.00 (11.0) | |
| 5325M21-SC2B | 1-1/4" NPT 3/2 Pilot air operated, spring return, UNIV | 9.00 (19.8) | |
| 7325M21-SC2B | 1-1/2" NPT 3/2 Pilot air operated, spring return, UNIV | 11.0 (24.3) | |

PILOT AIR OPERATED

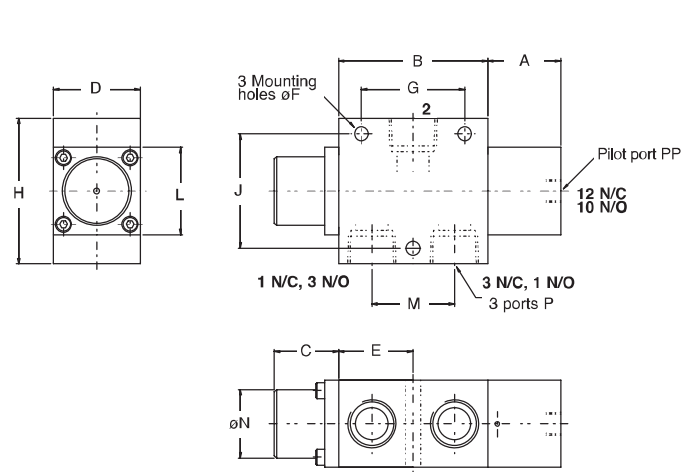
INSTALLATION DIMENSIONS mm (inches)

3/2 Pilot Air Operated - Spring Return, 1/4", 3/8", 1/2"

2325M21-VC2B
3325M21-VC2B



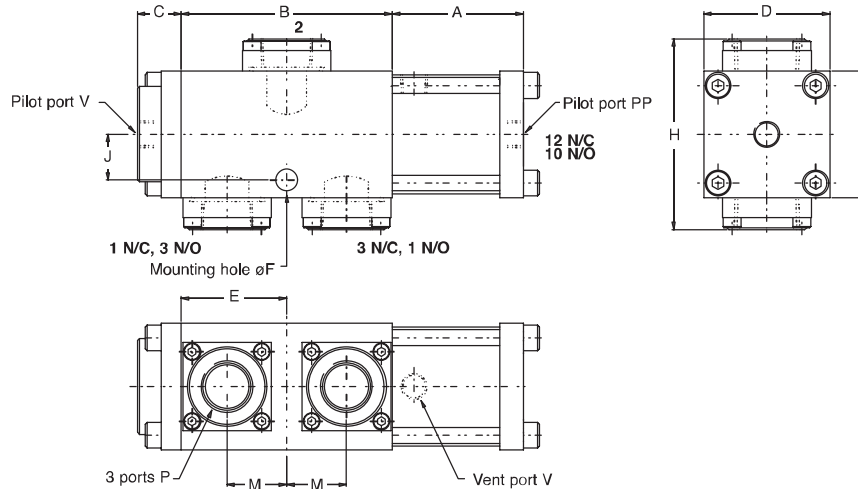
4325M21-VC2B



| Model Number | A | B | C | D | E | F | G | H | J | L | M | N | P | PP |
|--------------|--------------|--------------|--------------|--------------|----------------|---------------|--------------|----------------|--------------|--------------|--------------|--------------|----------------------|----------------------|
| 2325M21-VC2B | 24 (0.94) | 54 (2.13) | 10 (0.39) | 32 (1.26) | 27 (1.06) | 6.5 (0.26) | 26 (1.02) | 44.5 (1.75) | 35 (1.38) | 32 (1.26) | 28 (1.10) | - | 1/4" NPT 1/4" NPT | 1/8" NPT 1/8" NPT |
| 3325M21-VC2B | 24 (0.94) | 54 (2.13) | 10 (0.39) | 32 (1.26) | 27 (1.06) | 6.5 (0.26) | 38 (1.50) | 51 (2.00) | 44 (1.73) | 32 (1.26) | 28 (1.10) | - | 3/8" NPT 3/8" NPT | 1/8" NPT 1/8" NPT |
| 4325M21-VC2B | 32 (1.26) | 65 (2.56) | 28 (1.10) | 38 (1.50) | 32.5 (1.28) | 6.5 (0.26) | 45 (1.77) | 63.5 (2.50) | 50 (1.97) | 38 (1.50) | 36 (1.42) | 24 (0.94) | 1/2" NPT 1/2" NPT | 1/8" NPT 1/8" NPT |

3/2 Pilot Air Operated - Spring Return, 3/4", 1", 1-1/4", 1-1/2"

6325M21-SC2B
8325M21-SC2B
5325M21-SC2B
7325M21-SC2B



| Model Number | A | B | C | D | E | F | H | J | L | M | P | PP | V |
|--------------|--------------|---------------|--------------|----------------|----------------|--------------|---------------|----------------|----------------|----------------|--------------------------|----------------------|----------------------|
| 6325M21-SC2B | 66 (2.60) | 106 (4.17) | 22 (0.87) | 63.5 (2.50) | 53 (2.09) | 11 (0.43) | 96 (3.78) | 23 (0.91) | 63.5 (2.50) | 30 (1.18) | 3/4" NPT 3/4" NPT | 1/4" NPT 1/4" NPT | 1/4" NPT 1/4" NPT |
| 8325M21-SC2B | 66 (2.60) | 126 (4.96) | 22 (0.87) | 63.5 (2.50) | 63 (2.48) | 11 (0.48) | 96 (3.78) | 23 (0.91) | 63.5 (2.50) | 35 (1.38) | 1" NPT 1" NPT | 1/4" NPT 1/4" NPT | 1/4" NPT 1/4" NPT |
| 5325M21-SC2B | 67 (2.64) | 155 (6.10) | 18 (0.71) | 76 (2.99) | 77.5 (3.05) | 11 (0.43) | 116 (4.57) | 28.5 (1.12) | 76 (2.99) | 42.5 (1.67) | 1-1/4" NPT 1-1/4" NPT | 1/4" NPT 1/4" NPT | 1/4" NPT 1/4" NPT |
| 7325M21-SC2B | 67 (2.64) | 180 (7.09) | 18 (0.71) | 76 (2.99) | 90 (3.54) | 11 (0.43) | 116 (4.57) | 28.5 (1.12) | 76 (2.99) | 50 (1.97) | 1-1/2" NPT 1-1/2" NPT | 1/4" NPT 1/4" NPT | 1/4" NPT 1/4" NPT |

PLUNGER OPERATED, LEVER ROLLER OPERATED

General Description

Compact 3/2 mechanically operated poppet valves in stainless steel for use on gases and liquids.

For N/O, N/C and universal operation.

Technical Data

Ports

- 1/8"NPT (BSP option available)

Working Pressure (gases & liquids)

- 10 bar (145 psi)

Cv (Kv)

- 0.26 (3.7)

Working Temperature

- -20°C to +180°C (-4°F to +356°F)

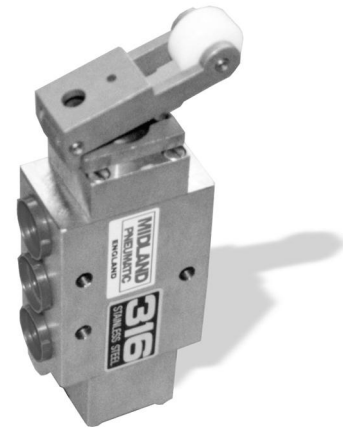
Operating force

- at 10 bar (145 psi) body pressure

| | N/C | N/O |
|--------------|-------------|-------------|
| Plunger | 44N (17lbf) | 80N (20lbf) |
| Lever roller | 20N (17lbf) | 36N (20lbf) |

Maximum Flow

- At 6 bar (87 psi), 1 bar (14.5 psi) differential
402 L/min (14.2 SCFM)



Construction Materials

- Body, operator and poppet
Stainless steel AISI 316L
to NACE MR-01-75
- 316 Stainless steel springs
- Fluoroelastomer seals

Preferred Models

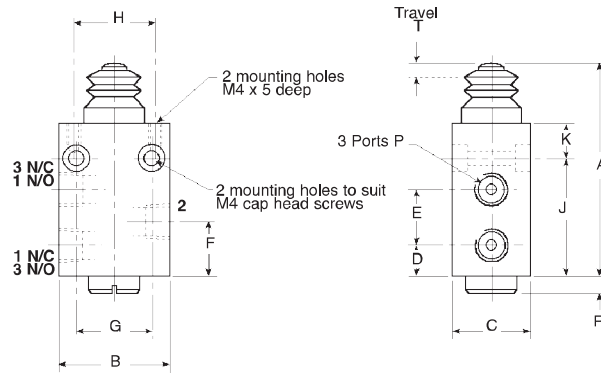
| Model Number | Description | Weight kg (lbs) | Symbol |
|--------------|---|-----------------|--------|
| 1323M62-SM2B | 1/8" Plunger operated, spring return, N/C | 0.21 (0.46) | |
| 1324M62-SM2B | 1/8" Plunger operated, spring return, N/O | 0.22 (0.48) | |
| 1323M82-SM2B | 1/8" Lever operated, spring return, N/C | 0.28 (0.62) | |
| 1324M82-SM2B | 1/8" Lever operated, spring return, N/O | 0.29 (0.64) | |

PLUNGER OPERATED, LEVER ROLLER OPERATED

INSTALLATION DIMENSIONS mm (inches)

3/2 Plunger Operated - Spring Return - 1/8"

1323M62-SM2B
1324M62-SM2B

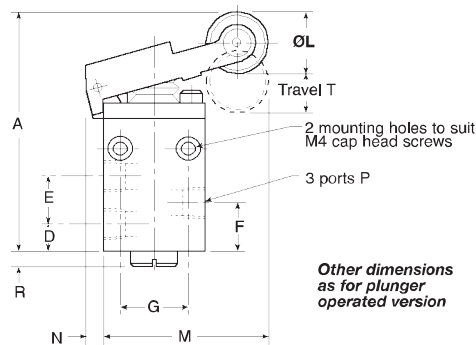


| Model Number | A | B | C | D | E | F | G | H | J | K | L | M | N | P | R | T |
|--------------|--------|--------|--------|--------|--------|--------|--------|--------|--------|--------|---|---|---|----------|--------|--------|
| 132*M62-SM2B | 62 | 32 | 22 | 9 | 16 | 16 | 22 | 24 | 34 | 10 | - | - | - | 1/8" NPT | 5 | 5 |
| | (2.44) | (1.26) | (0.87) | (0.35) | (0.63) | (0.63) | (0.87) | (0.95) | (1.34) | (0.39) | - | - | - | 1/8" NPT | (0.20) | (0.20) |

Travel T = 2.5 (0.10) to operate, 5.0 (0.20) maximum

3/2 Lever Operated - Spring Return - 1/8"

1323M82-SM2B
1234M82-SM2B



| Model Number | A | B | C | D | E | F | G | H | J | K | L | M | N | P | R | T |
|--------------|--------|--------|--------|--------|--------|--------|--------|---|--------|---|--------|--------|--------|----------|--------|--------|
| 132*M82-SM2B | 78 | 32 | 22 | 9 | 16 | 16 | 22 | - | 34 | - | 20 | 52.5 | 6 | 1/8" NPT | 5 | 12 |
| | (3.07) | (1.26) | (0.87) | (0.35) | (0.63) | (0.63) | (0.87) | - | (1.34) | - | (0.79) | (2.07) | (0.24) | 1/8" NPT | (0.20) | (0.47) |

Travel T = 2.5 (0.10) to operate, 5.0 (0.20) maximum