

FINE CONTROLS (UK) LTD



Fine Controls have been supplying process controls & instrumentation equipment since 1994, & now serves an ever expanding customer base, both in the UK & globally.

We offer a full range of valve & instrumentation products & services, with our product range representing leading technologies & brands:

Flow: Flow Meters & Transmitters, Flow Switches, Flow Control Valves & Batch Control Systems

Temperature: Temperature Probes & Thermowells, Temperature transmitters, Temperature Regulators & Temperature Displays

Level: Level Transmitters & Switches

Pressure: Pressure Gauges & Transmitters, Precision & High Pressure Regulators & I-P Converters, Volume boosters.

Precision Pneumatics: Pressure Regulators, I-P Converters, Volume Boosters, Vacuum Regulators

Valves: Solenoid & Pneumatic Valves, Control Valves & Positioners, Actuated Ball, Globe or Diaphragm Valves & Isolation Valves

Services: Repair, Calibration, Panel Build, System Design & Commissioning

A rotork® Brand
FAIRCHILD



bürkert



SIEMENS



alcon
SOLENOID VALVES

A rotork® Brand



MIDLAND-ACS
A rotork® Brand



Honeywell



Bourdon
Baumer Group



SOLDO
CONTROLS

A rotork® Brand



Fine Controls (UK) LTD, Bassendale Road, Croft Business Park,
Bromborough, Wirral, CH62 3QL UK
Tel: 0151 343 9966
Email: sales@finecontrols.com

FREE FALL FIRE VALVE

Lubrication

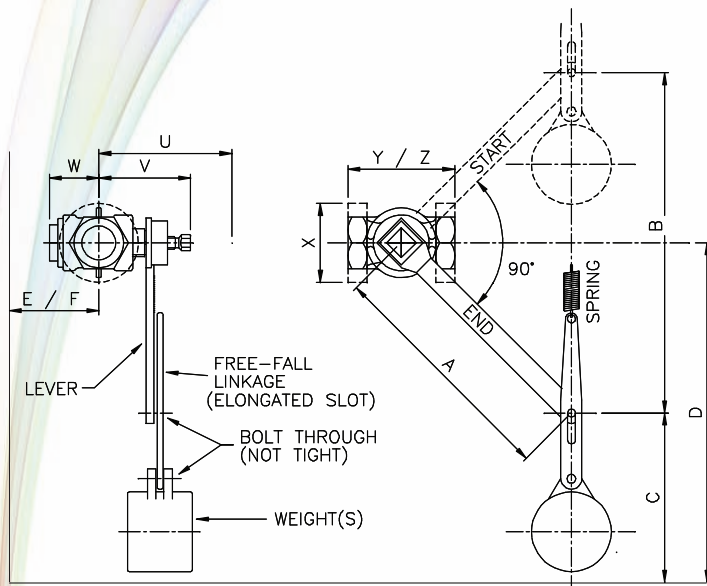
If using a grease injection gun, connect to the grease nipple at the end of the lubricating screw.
 If lubricating by hand remove the lubricating screw from the end of the square shaft. Fill the reservoir inside the shaft with lubricant and replace the screw. Tighten the screw until a definite increase in resistance is felt, inserting further lubricant as necessary. 'Pump' the valve lever up and down several times to ensure the valve is free-moving. If you have any questions or need any help then please contact our sales office.

Important:

**These valves must be checked for function and lubricated
 at least 3 times a year to maintain efficient operation**

Dimensions

Valve Size	Lever	Z	Y	X	W	V	U	A	B	C	D	E	F	Weight
1/2"	A	108	95	95	38	60	110	241	343	178	349	152	51	1 x 5lb
3/4"	A	114	105	102	44	64	114	241	343	178	349	165	58	1 x 5lb
1"	A	121	115	114	51	73	125	241	343	178	394	191	64	1 x 5lb
1 1/4"	B	111	140	121	62	83	135	305	432	178	394	229	76	1 x 10lb
1 1/2"	B	117	150	133	68	90	144	305	432	229	444	254	76	1 x 15lb
2"	C	178	165	152	83	125	213	381	540	229	502	330	102	1 x 15lb
2 1/2"	C	191	185	165	94	135	222	381	540	229	502	330	102	1 x 15lb
3"	D	203	200	184	111	167	275	775	1092	251	800	457	152	1 x 15lb
4†"	E	229	---	216	141	184	297	629	864	251	683	470	165	1 x 15lb
5†"	E	254	---	254	160	213	327	737	864	251	683	559	178	1 x 15lb
6†"	F	267	---	279	184	241	356	737	1041	276	813	660	205	1 x 15lb



Important dimensions
 E Min dist to remove plug with valve in-line
 F Min dist to wall
 U Clearance to remove lubricating screw
 X Flange diameter
 Y Length of screwed valve
 Z Length of flanged valve

† The 4", 5" and 6" valves are only available in flanged versions.

