

# FINE CONTROLS (UK) LTD



Fine Controls have been supplying process controls & instrumentation equipment since 1994, & now serves an ever expanding customer base, both in the UK & globally.

We offer a full range of valve & instrumentation products & services, with our product range representing leading technologies & brands:

**Flow:** Flow Meters & Transmitters, Flow Switches, Flow Control Valves & Batch Control Systems

**Temperature:** Temperature Probes & Thermowells, Temperature transmitters, Temperature Regulators & Temperature Displays

**Level:** Level Transmitters & Switches

**Pressure:** Pressure Gauges & Transmitters, Precision & High Pressure Regulators & I-P Converters, Volume boosters.

**Precision Pneumatics:** Pressure Regulators, I-P Converters, Volume Boosters, Vacuum Regulators

**Valves:** Solenoid & Pneumatic Valves, Control Valves & Positioners, Actuated Ball, Globe or Diaphragm Valves & Isolation Valves

**Services:** Repair, Calibration, Panel Build, System Design & Commissioning

A rotork® Brand  
**FAIRCHILD**



**bürkert**



**SIEMENS**



**alcon**  
SOLENOID VALVES

A rotork® Brand



**MIDLAND-ACS**  
A rotork® Brand



**Honeywell**



**Bourdon**  
Baumer Group



**SOLDO**  
CONTROLS

A rotork® Brand



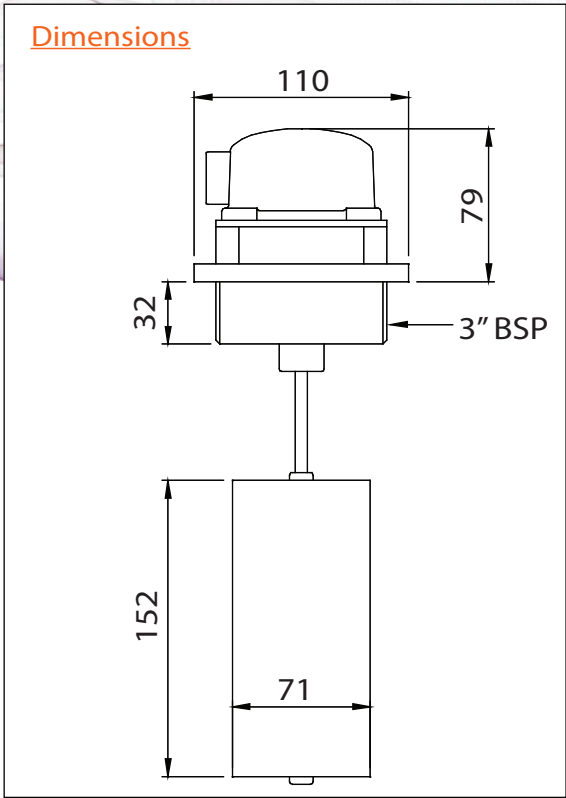
Fine Controls (UK) LTD, Bassendale Road, Croft Business Park,  
Bromborough, Wirral, CH62 3QL UK  
Tel: 0151 343 9966  
Email: sales@finecontrols.com

FILGUARD FLOAT UNITS

Float units are available in standard form. Each unit is of robust construction, the stainless steel float being compatible with most oil based liquids including corn oil. Floats in different materials can be provided.

*Installation of float unit*

The float unit must be fitted vertically in the top of the tank and the mounting point should be 3" BSP threaded. Using the standard model, a full signal is provided when the oil is 100mm above the base of the float. Where the installation is via a manhole cover, an extended rod should be used.



<i>Materials:</i> Stainless Steel Float, Grey painted cast iron housing	<a href="#">Technical Specification</a>
<i>Protection Rating:</i> IP65	
<i>Mounting Connection:</i> 3" BSP	
<i>Liquid switch-point:</i> 100mm above base of float (depending on s.g. of liquid)	
<i>Contact Rating:</i> 10A max.	
<i>Weight Standard:</i> 2.6Kg	