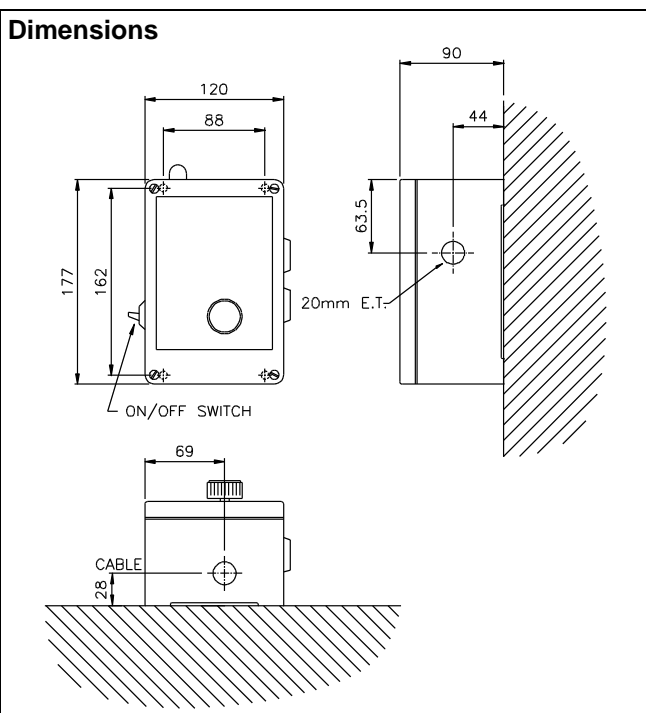


# LANDON KINGSWAY

## SOLENOID QUICK RELEASE Mk I

The Solenoid Quick Release Mechanism is designed to provide a simple electro-mechanical release mechanism for gravity-operated devices such as the Landon Kingsway free-fall fire valve.

The system consists of a steel cable wound around a drum with a solenoid arranged so that when energised, the drum is locked in place. If the electrical supply to the solenoid is interrupted then the solenoid latch releases the drum and the weight of the attached load causes the cable to unwind.



### INSTALLATION

The mechanism should be securely fastened directly above the load to be operated such that the cable follows an uninterrupted path from the mechanism. The length of the cable should be checked and needs to be long enough to allow the load to fall to its lowest level. If necessary, the cable can be extended provided that any joins in the cable do not enter the unit when the load is raised.

Electrical connection of the units should only be carried out by competent persons as per the wiring diagram.

### Technical Specification

|                |                            |
|----------------|----------------------------|
| Supply Voltage | 230Vac, 110Vac, 24Vdc      |
| Power          | 17W                        |
| Enclosure      | Red painted cast aluminium |
| Dimensions     | 120 x 177 x 90mm (W,H,D)   |
| Fixing Centres | 88 x 162mm Ø5mm            |
| Weight         | 2.2 kg                     |
| Maximum load   | 13.6 kg (30 lbs)           |

### OPERATION

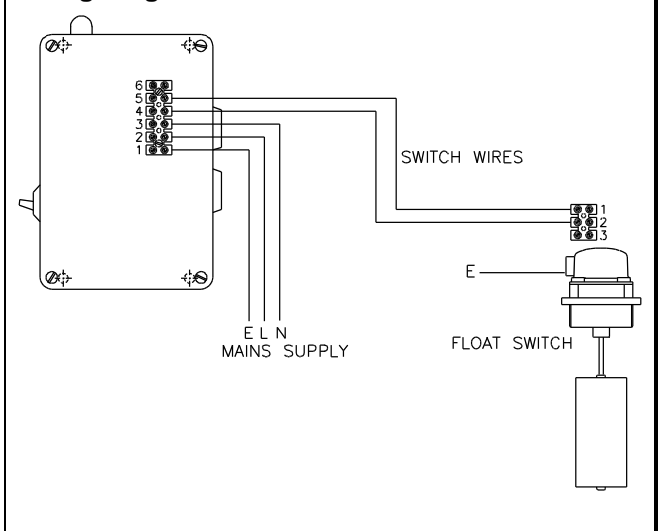
The unit has one switch on the left side of the case which is the on-off switch, down being on.

To set the mechanism, first check that the power switch is off then lift the load into the 'normal' position and while keeping the cable under tension, wind in the cable by turning the knob on the unit in a clockwise direction. Do not turn in an anticlockwise direction or try to lift the weight of the fire valve by turning the knob as this will damage the unit.

Press the switch on the left side of the unit down to turn the unit on. The solenoid will 'click' on to latch the cable drum and the lamp on the top of the unit will light.

If the solenoid fails to engage, check that the switch wires are correctly connected to the normally closed contacts on the sensor/float.

### Wiring Diagram



If you have any questions or need any help then please contact our sales office.