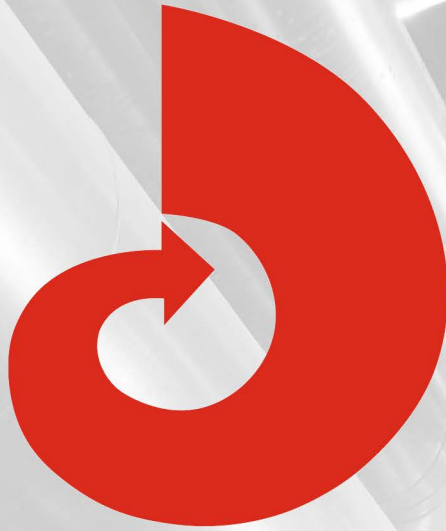


FINE CONTROLS (UK) LTD



Fine Controls have been supplying process controls & instrumentation equipment since 1994, & now serves an ever expanding customer base, both in the UK & globally.

We offer a full range of valve & instrumentation products & services, with our product range representing leading technologies & brands:

Flow: Flow Meters & Transmitters, Flow Switches, Flow Control Valves & Batch Control Systems

Temperature: Temperature Probes & Thermowells, Temperature transmitters, Temperature Regulators & Temperature Displays

Level: Level Transmitters & Switches

Pressure: Pressure Gauges & Transmitters, Precision & High Pressure Regulators & I-P Converters, Volume boosters.

Precision Pneumatics: Pressure Regulators, I-P Converters, Volume Boosters, Vacuum Regulators

Valves: Solenoid & Pneumatic Valves, Control Valves & Positioners, Actuated Ball, Globe or Diaphragm Valves & Isolation Valves

Services: Repair, Calibration, Panel Build, System Design & Commissioning

A rotork® Brand
FAIRCHILD



bürkert



SIEMENS



alcon
SOLENOID VALVES

A rotork® Brand



MIDLAND-ACS
A rotork® Brand



Honeywell



Bourdon
Baumer Group



SOLDO
CONTROLS

A rotork® Brand



Fine Controls (UK) LTD, Bassendale Road, Croft Business Park,
Bromborough, Wirral, CH62 3QL UK
Tel: 0151 343 9966
Email: sales@finecontrols.com



Features

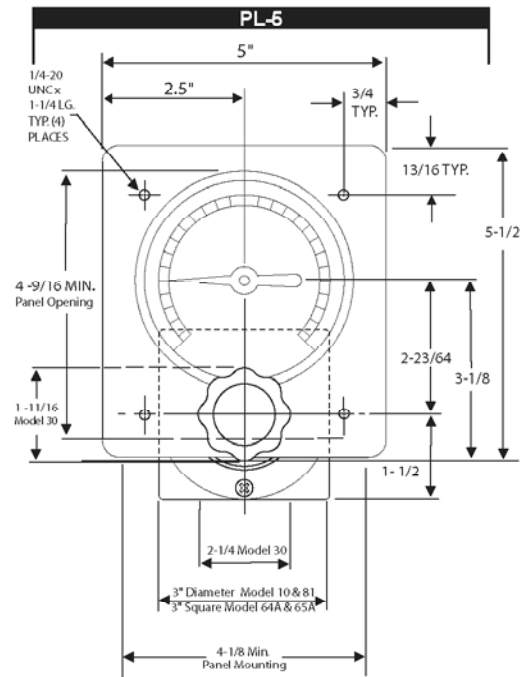
- Panel Loading Stations are available in five pressure ranges
- High flow capacity suitable for most control operations
- Automatic relief allows station to be left unattended
- Precision regulator satisfies most industrial requirements

Operating Principles

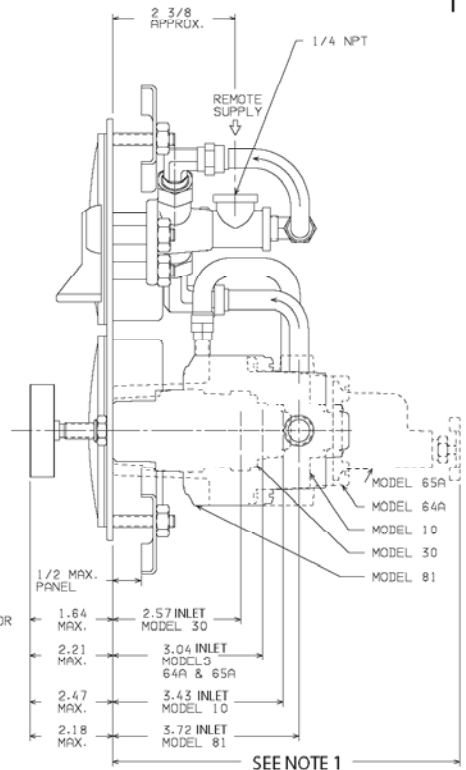
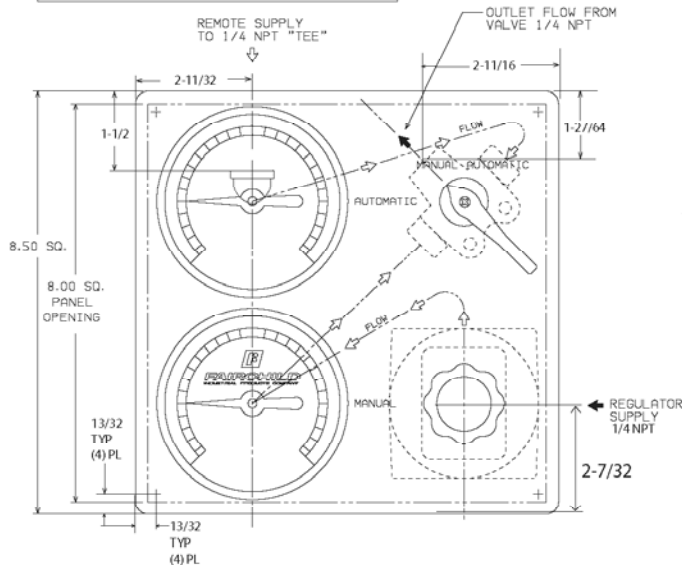
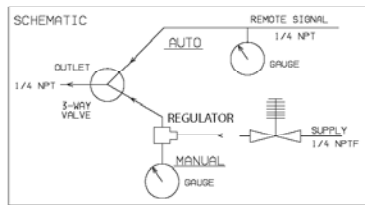
Models PL-5 and PLT-8 Panel Loading Stations maintain and monitor output pressure for pneumatic instrumentation.

The PL-5 includes a regulator (Model 10, Model 30, Model 64/65A, or Model 81) and a standard pressure gage that allows operator to set and read pressure at the panel.

The PLT-8 includes a regulator (Model 10, Model 30, or Model 64A/65A) and a three-way valve that allows operator to monitor the process in manual or automatic mode. In manual mode, operator can set and read the pressure at the panel. In automatic mode, operator can set the pressure from a remote location and read the pressure at the panel.



PLT-8



Note 1

Depth from panel depends on regulator used:

- Model 10 - 4-13/16" (122.2 mm)
- Model 30 - 3-13/16" (96.8 mm)
- Model 64A - 5-3/32" (129.4 mm)
- Model 65A - 7-13/32" (188.1 mm)
- Model 81 - 4-3/4" (120.7 mm)



Models
PL-5
PLT-8

Models PL-5, PLT-8 Panel Loading Stations

Specifications

Gage Accuracy

Lower Third.....	± 3%
Mid Scale.....	± 2%
Upper Third.....	± 3%

Model NO.	psig	Range [BAR]	(kPa)	Flow SCFM (m ³ /HR)	Sensitivity W.C. cm
10	0-20	[0-1.5]	(0-150)	40 (68)	0.125 .31
	.5-30	[0.03-2.0]	(3.0-200)		
	1-60	[0.1-4.0]	(10-400)		
	2-150	[0.15-10.0]	(15-1000)		
30	.5-30	[0.03-2.0]	(3.0-200)	30 (51)	0.250 .63
	1-60	[0.1-4.0]	(10-400)		
	2-100	[0.15-7.0]	(15-700)		
64A	.5-30	[0.03-2.0]	(3.0-200)	22 (37.4)	1.0 2.54
	1-60	[0.1-4.0]	(10-400)		
	2-200	[0.15-14.0]	(15-1400)		
65A	.5-30	[0.03-2.0]	(3.0-200)	22 (37.4)	1.0 2.54
	1-60	[0.1-4.0]	(10-400)		
	2-100	[0.15-7.0]	(15-700)		
81	0-20	[0-1.5]	(0-150)	50 (85)	less than .25
	.5-60	[0.03-4.0]	(3.0-400)		
	.5-100	[0.03-7.0]	(3.0-700)		

Ambient Temperature

10, 30, 81.....	-40°F to 200°F (-40°C to 93.2°C)
64A, 65A.....	-40°F to 180°F (-40°C to 82.2°C)

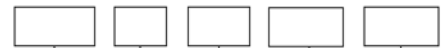
Model	Panel Opening* (Width by Height)	
PL5	4-1/8" x 4-9/16"	105 mm x 116 mm
PLT8	8" x 8"	203 mm x 203 mm

* All Dimensions + 1/8", -0 (+.3 mm - 0) PL5 fits ISA RPC Cutouts

"A & B" Inlet and Outlet connections are 1/4" NPT

Catalog Information

Catalog Number



Panel

with Transfer Function ... PLT8
without Transfer Function ... PL5

Regulator

Model 10.....	10
Model 30.....	30
Model 64A.....	64
Model 65A.....	65
Model 81.....	81

Gage Type

Single Plain.....	P
Dual Plain (PLT8 Only).....	DP
Single Receiver ¹ (Graduated 0-100%).....	R
Dual Receiver (PLT8 Only).....	DR

Regulator Range²

psig	[BAR]	(kPa)	
20 ³	[1.5]	(150)	20
30 ⁴	[2.0]	(200)	30
60 ⁵	[4.0]	(400)	60
100 ⁶	[7.0]	(700)	100
150 ⁷	[10.0]	(1000)	150

Gage Range

psig	[BAR]	(kPa)	
15	[1.0]	(100)	15
30	[2.0]	(200)	30
60	[4.0]	(400)	60
100	[7.0]	(700)	100
160	[11.0]	(1100)	160

¹ 0-100% scale for 3-15 psig, [0.2-1.0 BAR], (20-100 kPa) range.

² To avoid gage damage, the regulator range should be equal to or less than the gage range.

³ For Models 10 & 81 Only.

⁴ For Models 10, 30, 64A, & 65A Only.

⁵ For Models 10, 30, 64A, 65A, & 81.

⁶ For Models 30, 64A, 65A, & 81.

⁷ For Model 10 Only.

Service Information

For installation instructions, refer to the *Model PL-5, PLT-8 Panel Loading Stations Installation, Operation, and Maintenance Instructions, IS-4PL5PLT8*. For more information, refer to the Installation, Operation, and Maintenance Instructions for the appropriate Regulator:

- Model 10 - IS-10000010
- Model 30 - IS-10000030
- Model 64A,65A - IS-1064A65A
- Model 81 (PL-5 only) - IS-10000081