

FINE CONTROLS (UK) LTD



Fine Controls have been supplying process controls & instrumentation equipment since 1994, & now serves an ever expanding customer base, both in the UK & globally.

We offer a full range of valve & instrumentation products & services, with our product range representing leading technologies & brands:

Flow: Flow Meters & Transmitters, Flow Switches, Flow Control Valves & Batch Control Systems

Temperature: Temperature Probes & Thermowells, Temperature transmitters, Temperature Regulators & Temperature Displays

Level: Level Transmitters & Switches

Pressure: Pressure Gauges & Transmitters, Precision & High Pressure Regulators & I-P Converters, Volume boosters.

Precision Pneumatics: Pressure Regulators, I-P Converters, Volume Boosters, Vacuum Regulators

Valves: Solenoid & Pneumatic Valves, Control Valves & Positioners, Actuated Ball, Globe or Diaphragm Valves & Isolation Valves

Services: Repair, Calibration, Panel Build, System Design & Commissioning

A rotork® Brand
FAIRCHILD



bürkert



SIEMENS



alcon
SOLENOID VALVES

A rotork® Brand



MIDLAND-ACS
A rotork® Brand



Honeywell



Bourdon
Baumer Group



SOLDO
CONTROLS

A rotork® Brand



Fine Controls (UK) LTD, Bassendale Road, Croft Business Park,
Bromborough, Wirral, CH62 3QL UK
Tel: 0151 343 9966
Email: sales@finecontrols.com

INSTALLATION, OPERATION AND MAINTENANCE INSTRUCTIONS FOR FAIRCHILD MODEL MPLT-70 MINI-PANEL LOADING STATION

GENERAL INFORMATION

The Model MPLT-70 Mini-Panel Loading Station furnishes a means of monitoring and manually or automatically controlling supply pressure. It offers a dual gage option for four output ranges.

Specifications Model MPLT-70

Normal supply pressure 150 psig
[10 BAR] (1000 kPa)

Maximum supply pressure 250 psig
[17 BAR] (1700 kPa) supply

Ambient Temperature limit -40°F to +160°F
(-40°C to +71°C)

Flow capacity 100 psig [7 BAR]
(700 kPa) supply 30 psig
[2 BAR] (200 kPa) set 2.5 SCFM (4.25 m³/HR)

Supply pressure effect for 5 psig
[.35 BAR] (35 kPa) change in
supply pressure 0.05 psig [.003 BAR]
(.35 kPa) max (dead end service)

Repeatability 0.06 psig [.004 BAR] (.42 kPa)

PRINCIPLES OF OPERATION

The Model MPLT-70 mini-panel loading station incorporates the Model 70B pressure regulator with a transfer function (Figure 1) which allows switching to an automatic controller. For operating principles, see the Installation, Operating and Maintenance instructions for the Model 70B.

Pressure gages contain a standard Bourdon tube for measuring pressure.

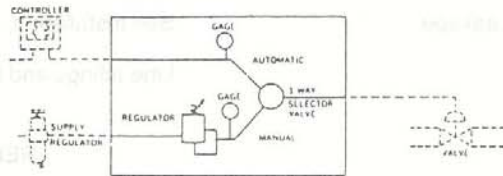


Figure 1

INSTALLATION

Inlet and outlet connections are barbed fittings for 1/8" ID tubing. Figure 2 supplies outline dimensions for installation.

Clean all lines to the panel loading station to remove dirt and scale before installation is made. Apply minimum amount of pipe compound to male threads of air line (if applicable). Start with third thread back and work away from end of line to avoid possibility of getting

compound into the meter or regulator. Inlet and outlet connections to the regulator are labeled and should be tightened securely. Avoid undersized fitting that will limit flow through the regulator and cause pressure drop downstream.

The use of a filter to remove dirt and entrained liquid in the air line ahead of the regulator is recommended for best performance.

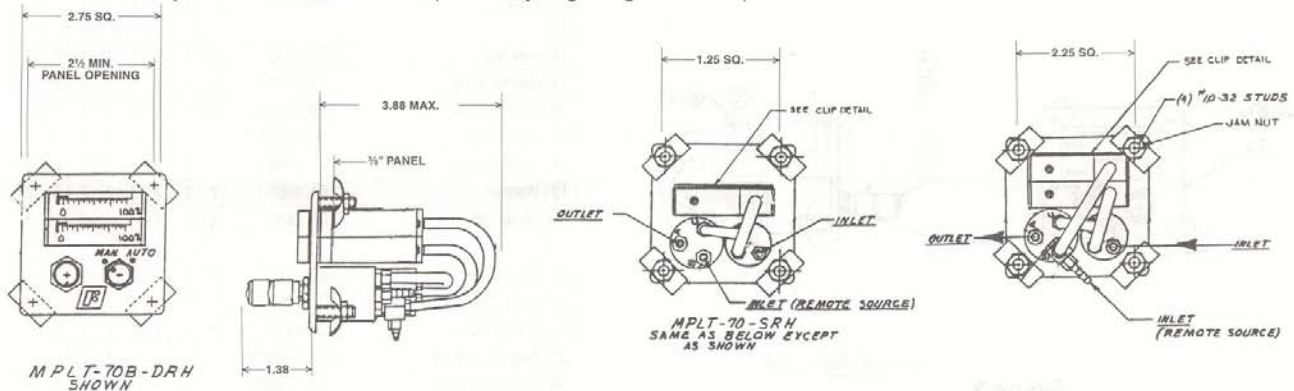


Figure 2

ADJUSTMENTS

No field adjustments are necessary.

OPERATION

Panel loading stations as shipped, have regulators set at approximately 1/2 PSI. To increase setpoint pressure, the knob is turned in a clockwise direction. For decreased output pressure, the screw is turned counter-clockwise.

MAINTENANCE

For maintenance instructions, see the Installation, Operating and Maintenance instructions for the Model 70B regulator.

TROUBLE SHOOTING

Problem	Check
Gage reading inaccurate	Gage pointer
Gage inoperative	Wear on pinion and sector hair spring.
Leakage	See Installation, Operating and Maintenance instructions for regulator. Line fittings and line.

REPAIR PARTS LIST

NO.	NAME	NUMBER	S.R.V.	D.R.V.	S.R.H.	D.R.H.	S.P.V.	D.P.V.	S.P.H.	D.P.H.
1	Panel Assembly (Silkscreen)	EC-14255-1			1				1	
2	Panel Assembly (Silkscreen)	EC-14255-2				1				
3	Adapter	EA-12424		1		1		1	1	1
4	Mounting Kit	EA-18986-1	1	1	1	1	1	1	1	1
5	Gauge 0-15 psig	GS-1022PV					1	2		
6	Gauge 0-15 psig	GS-1022PH							1	2
7	Gauge 0-100%	GS-1022RV	1	2						
8	Gauge 0-100%	GS-1022RH				1	2			
9	Hose Fitting	EB-9488	3	2	3	2	3	2	3	2
10	1/8 I.D. Tubing	EA-9458-25	2	3	2	3	2	3	2	3
11	Adapter Fitting	EA-9712		1		1		1		1
12	Plug	EA-9711		1		1		1		1
13										
14	Hex Nut	EB-8890	1	1	1	1	1	1	1	1
15	Control Knob	EB-9471-2	1	1	1	1	1	1	1	1
16	Control Knob	EA-9472-1	1	1	1	1	1	1	1	1
17	Name Plate	EB-18273-2	1	1	1	1	1	1	1	1
18	3-Way Valve	EC-9385-2	1	1	1	1	1	1	1	1
19	Washer	EA-3662-1	2	2	2	2	2	2	2	2
20	Hose Fitting	EB-9453	1	3	1	3	1	3	1	3
21										
22	Spring Clip	EB-16151	1	1	1	1	1	1	1	1
23	Spec. Model 70B	EA-10079	1	1	1	1	1	1	1	1
24	Range Screw	EA-9417	1	1	1	1	1	1	1	1
25	Gage 0-30 psig	GS-1032PV					1	2		
26	Gage 0-30 psig	GS-1032PH							1	2
29	Gage 0-80 psig						1	2		
30	Gage 0-80 psig								1	2
33	Panel Assembly (Silkscreen)	EC-14255-3	1				1			
34	Panel Assembly (Silkscreen)	EC-14255-4		1				1		

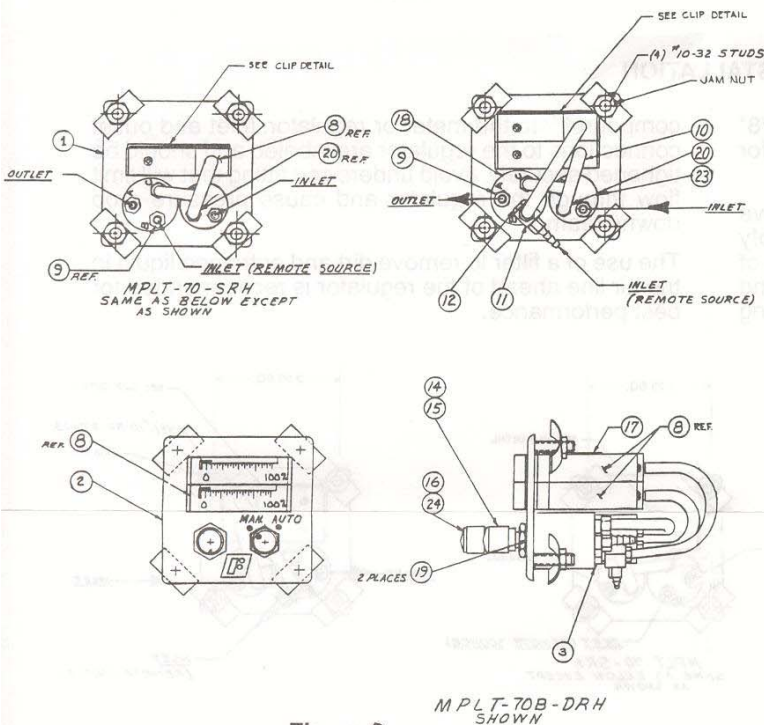


Figure 3

MPLT-70B-DRH SHOWN

ISO 9002
Certified

FAIRCHILD
INDUSTRIAL PRODUCTS COMPANY

3920 WEST POINT BLVD. WINSTON-SALEM, NC 27103-6708
Tel 336-659-3400 FAX 336-659-9323



FM NO. 25571

IS-40MPLT70
Litho in USA
Rev. B 10-98