

FINE CONTROLS (UK) LTD



Fine Controls have been supplying process controls & instrumentation equipment since 1994, & now serves an ever expanding customer base, both in the UK & globally.

We offer a full range of valve & instrumentation products & services, with our product range representing leading technologies & brands:

Flow: Flow Meters & Transmitters, Flow Switches, Flow Control Valves & Batch Control Systems

Temperature: Temperature Probes & Thermowells, Temperature transmitters, Temperature Regulators & Temperature Displays

Level: Level Transmitters & Switches

Pressure: Pressure Gauges & Transmitters, Precision & High Pressure Regulators & I-P Converters, Volume boosters.

Precision Pneumatics: Pressure Regulators, I-P Converters, Volume Boosters, Vacuum Regulators

Valves: Solenoid & Pneumatic Valves, Control Valves & Positioners, Actuated Ball, Globe or Diaphragm Valves & Isolation Valves

Services: Repair, Calibration, Panel Build, System Design & Commissioning

A rotork® Brand
FAIRCHILD



bürkert



SIEMENS



alcon
SOLENOID VALVES

A rotork® Brand



MIDLAND-ACS
A rotork® Brand



Honeywell



Bourdon
Baumer Group



SOLDO
CONTROLS

A rotork® Brand



Fine Controls (UK) LTD, Bassendale Road, Croft Business Park,
Bromborough, Wirral, CH62 3QL UK
Tel: 0151 343 9966
Email: sales@finecontrols.com

Manifold and Rack Kit

Model T6000
Model T7800
Model T7950
Model T8000



General Information

MANIFOLD KITS

T6000, T7800 and T7950 Transducers

Current to Pneumatic (I/P or E/P)

The Manifold Kits for the T6000, T7800 and T7950 Series Transducers are available for mounting 3, 5, 10 or 15 transducer units. These manifolds have a common supply port to all the transducers. Internal check valves in the inlet and outlet ports permit the installation and removal of individual transducers without affecting other units on the manifold.

Supply port connections are provided on the end and rear of the manifold. Outlet ports are located on the rear and bottom of the manifold. Mounting brackets for flush or extended mounting from the back wall are available. These options allow the user to select the combination of supply ports, outlet ports and mounting configurations to maximize usage of available space.

T8000 Series Transducers

Pneumatic to Current (P/I)

Manifold kits for the T8000 Series Transducers are also available for mounting 3, 5, 10 or 15 transducer units. All input ports on the manifold have internal check valves to seal off the input signal(s) if a transducer is removed from the manifold.

Since each housing may contain two individual P/I transducers, the quantity of P/I's on the manifold has the capability of doubling. Rear and bottom input port connections and flush or extended mounting brackets allow the user to configure the manifold to maximize the use of available space.

E

Models
T6000
T7800
T7950
T8000



RACK KITS

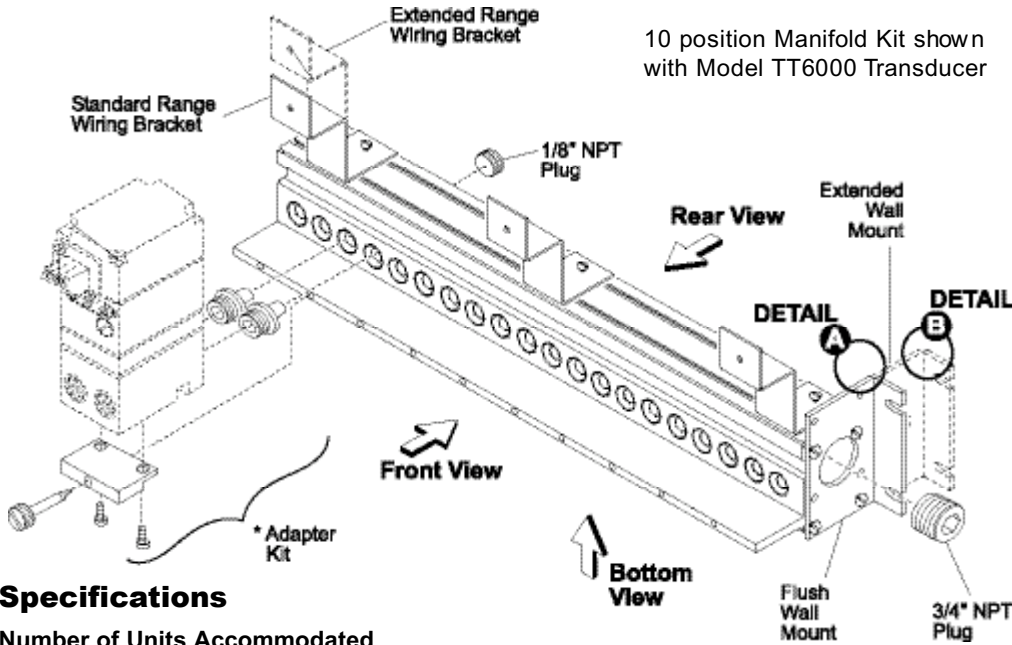
T6000, T7800 and T8000 Transducers

All T6000, T7800 and T8000 Rack Kits utilize a 10 unit manifold described in the above manifold kits. The rack kit includes additional hardware to permit installation in a standard 19" Rack.

It is suggested that transducers used with rack kits include the "R" option. This option faces the electrical terminal block connector to the rear of the transducer permitting connections to the transducer to be made from the rear of the rack.

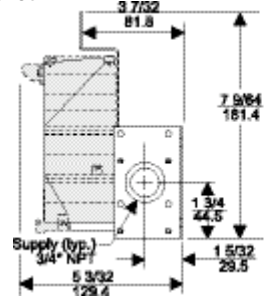
Manifold Kits

Model T6000, T7950 & T7800 Current to Pneumatic

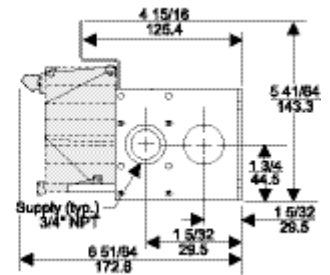


10 position Manifold Kit shown with Model TT6000 Transducer

Detail A - Extended Range Unit shown with Flush Wall Mount Bracket.



Detail B - Standard Range Unit shown with Extended Wall Mount Bracket.



Specifications

Number of Units Accommodated

3, 5, 10 or 15

Check Valves (Internal)

Inlet and outlet ports

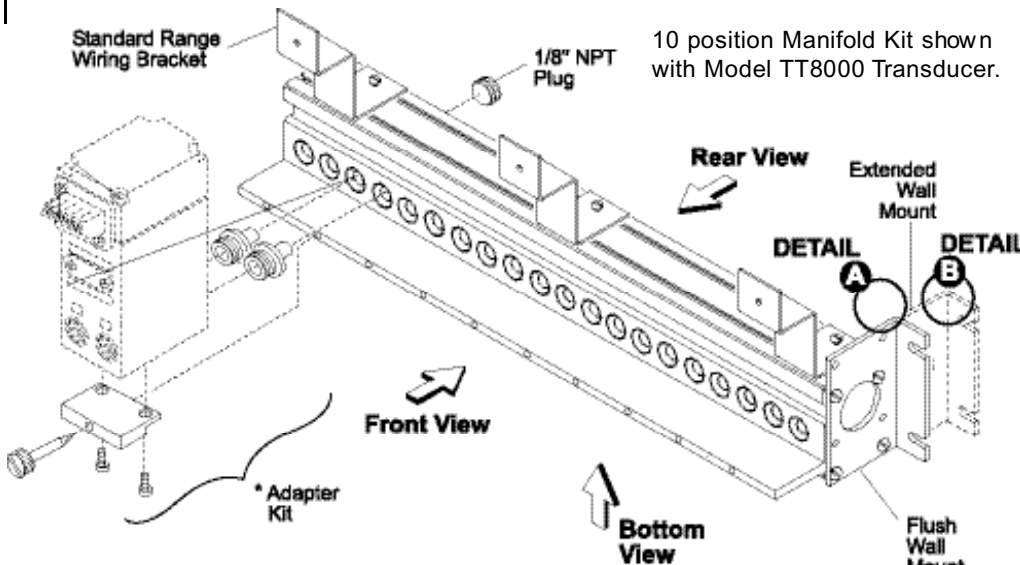
Supply Ports

3/4" NPT on manifold ends (2) 3/8" NPT on rear

Outlet Ports

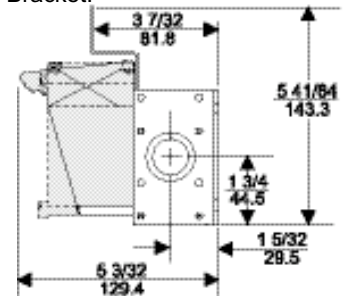
1/8" NPT vertically on the bottom, 1/8" NPT horizontally on the rear

Model T8000 Pneumatic to Current

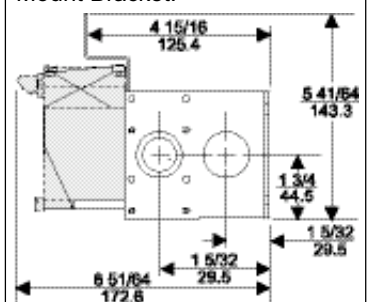


10 position Manifold Kit shown with Model TT8000 Transducer.

Detail A - Standard Range Unit shown with Flush Wall Mount Bracket.



Detail B - Standard Range Unit shown with Extended Wall Mount Bracket.



Specifications

Number of Units Accommodated

3, 5, 10 or 15

Check Valves (Internal)

Inlet ports

Inlet Ports

1/8" NPT vertically on the bottom, 1/8" NPT horizontally on the rear

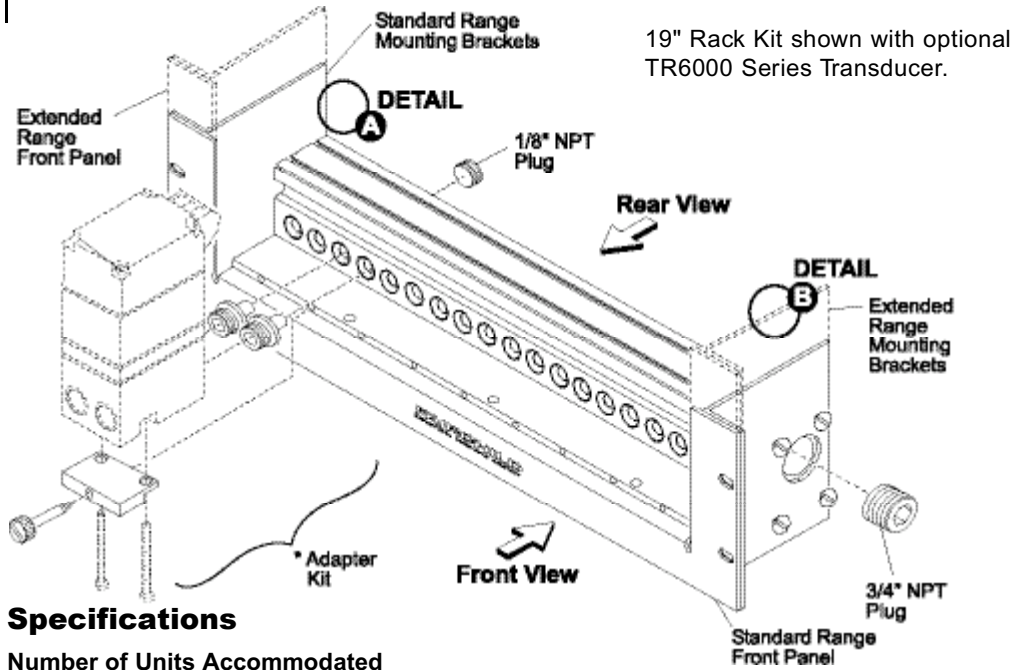
Models
T6000
T7800
T7950
T8000



Manifold and Rack Kit

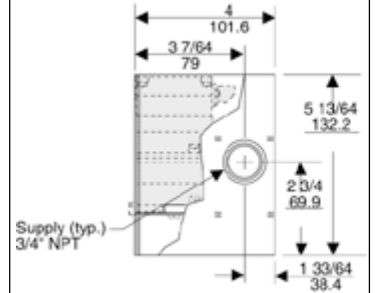
Rack Kits: Dimensions

Model T6000 & T7800 Current to Pneumatic

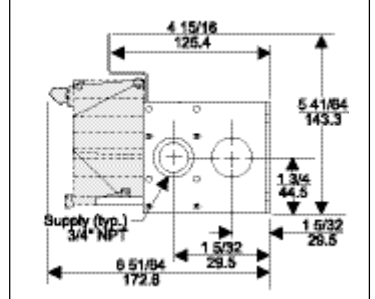


19" Rack Kit shown with optional TR6000 Series Transducer.

Detail A - Standard Range Front Panel shown with Standard Range Mounting Brackets



Detail B - Extended Range Front Panel shown with Extended Range Mounting Brackets



Specifications

Number of Units Accommodated

Up to 10

Check Valves (Internal)

Inlet and outlet ports

Supply Ports

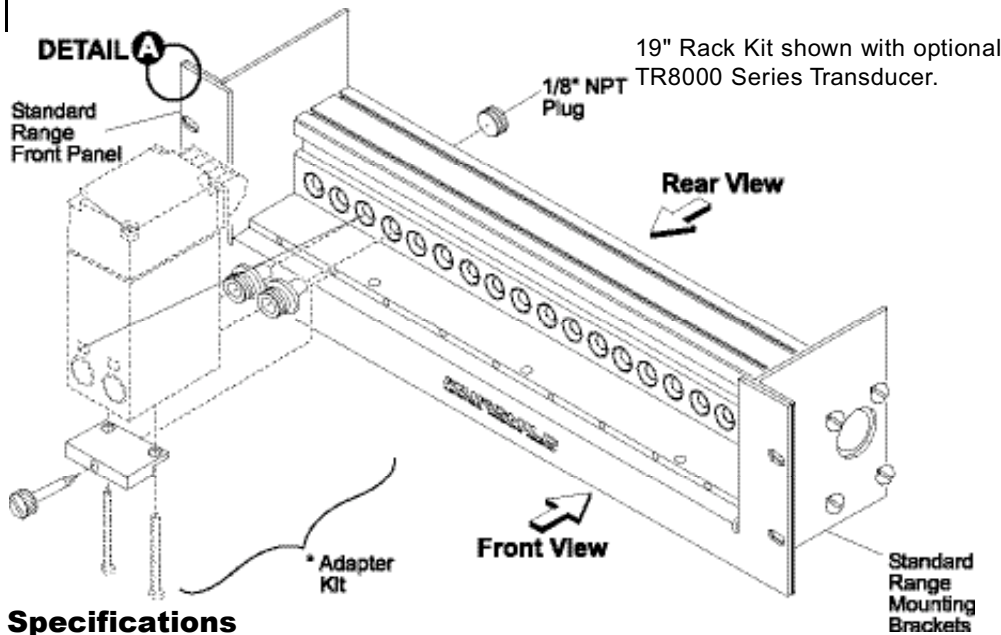
3/4" NPT on manifold ends, (2) 3/8" NPT on rear

Outlet Ports

1/8" NPT vertically on the bottom, 1/8" NPT horizontally on the rear

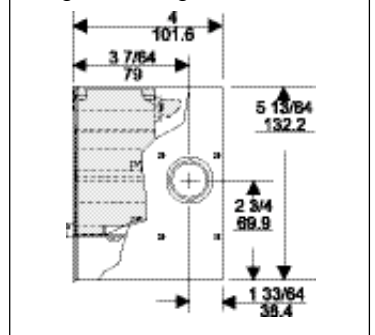
E

Model T8000 Pneumatic to Current



19" Rack Kit shown with optional TR8000 Series Transducer.

Detail A - Standard Range Front Panel shown with Standard Range Mounting Brackets



Specifications

Number of Units Accommodated

Up to 10

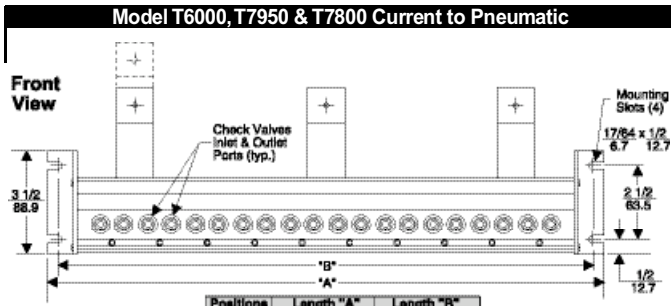
Check Valves (Internal)

Inlet ports

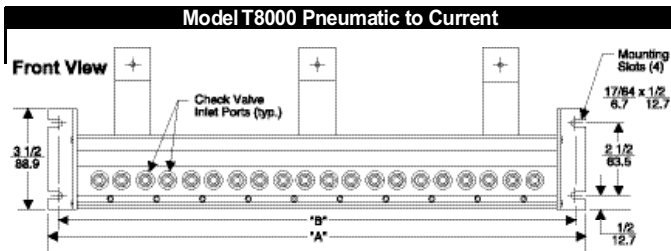
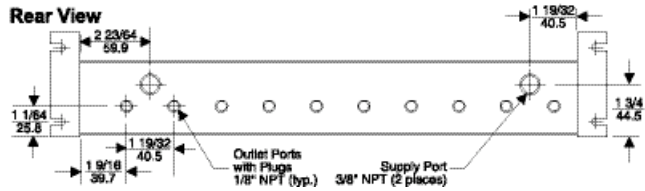
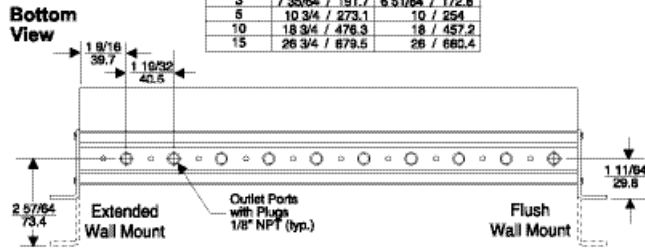
Inlet Ports

1/8" NPT vertically on the bottom, 1/8" NPT horizontally on the rear

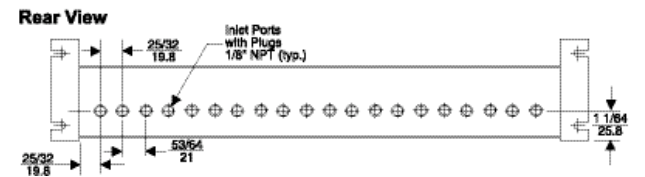
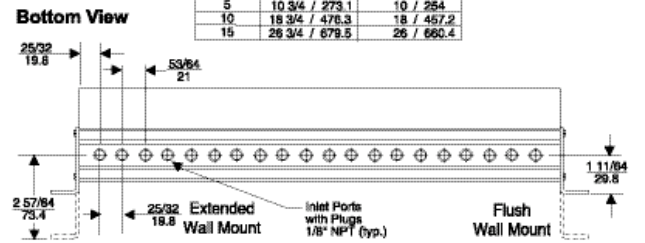
Manifold Kits: Dimensions



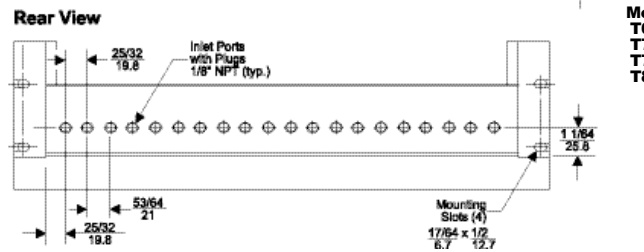
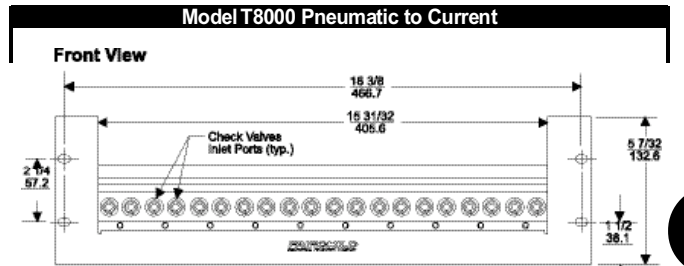
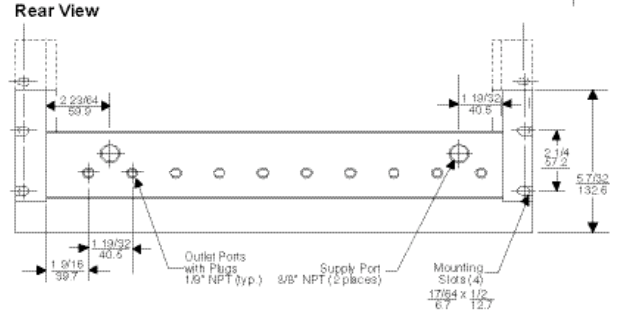
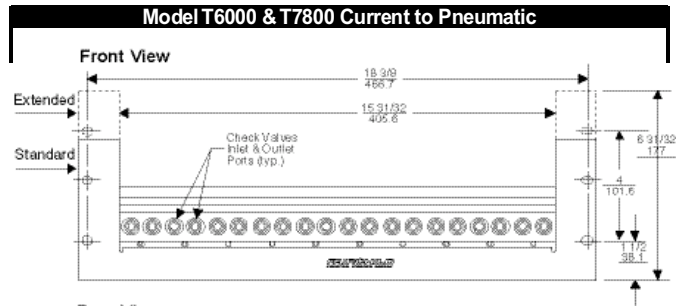
Positions	Length "A" Inches / mm	Length "B" Inches / mm
3	7 35/64 / 191.7	6 51/64 / 172.6
5	10 3/4 / 273.1	10 / 254
10	18 3/4 / 478.3	18 / 457.2
15	26 3/4 / 679.5	26 / 660.4



Positions	Length "A" Inches / mm	Length "B" Inches / mm
3	7 35/64 / 191.7	6 51/64 / 172.6
5	10 3/4 / 273.1	10 / 254
10	18 3/4 / 478.3	18 / 457.2
15	26 3/4 / 679.5	26 / 660.4



Rack Kits: Dimensions



Models
T6000
T7800
T7950
T8000

Manifold and Rack Kit

Specifications

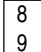
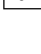
Materials of Construction

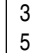
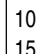
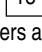

Manifold and Brackets	Aluminum
Screws.....	Zinc Plated Steel
Check Valves	Brass
Elastomers.....	Buna N

Catalog Information

MANIFOLD KIT for Model T6000, T7950 & T7800

Manifold Kit Number *1833 

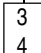
Type of Wall Mount
 Flush 
 Extended 

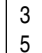
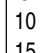
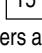

Number of Transducer Positions
 Three 
 Five 
 Ten 
 Fifteen 

Wire Duct Brackets for Standard and Extended Range Transducers are included.

MANIFOLD KIT for Model T8000

Manifold Kit Number *1853 

Type of Wall Mount
 Flush 
 Extended 

Number of Transducer Positions
 Three 
 Five 
 Ten 
 Fifteen 

Wire Duct Brackets for Standard and Extended Range Transducers are included.

RACK KIT for Model T6000 & T7800

Rack Kit Number

Type of Range
 Standard * 18340-1
 Extended (T6000 Only) * 18368-1

RACK KIT for Model T8000

Type of Range
 Standard * 18536-1

* Adapter Kits for Transducers are included.

Installation

For installation instructions, refer to the *Model T6000/T7800 Series Manifold and Adapter Kit Installation, Operation and Maintenance Instructions*, IS-400MFLD6, the *T6000 Series I/P, E/P Rack Kit Installation, Operation and Maintenance Instructions*, IS-400RACK6, the *T8000 Series Manifold and Adapter Kit Installation, Operation and Maintenance Instructions*, IS-400MFLD8 and the *T8000 Series I/P, E/P Rack Kit Installation, Operation and Maintenance Instructions*, IS-400RACK8.



Models
T6000
T7800
T7950
T8000