

FINE CONTROLS (UK) LTD



Fine Controls have been supplying process controls & instrumentation equipment since 1994, & now serves an ever expanding customer base, both in the UK & globally.

We offer a full range of valve & instrumentation products & services, with our product range representing leading technologies & brands:

Flow: Flow Meters & Transmitters, Flow Switches, Flow Control Valves & Batch Control Systems

Temperature: Temperature Probes & Thermowells, Temperature transmitters, Temperature Regulators & Temperature Displays

Level: Level Transmitters & Switches

Pressure: Pressure Gauges & Transmitters, Precision & High Pressure Regulators & I-P Converters, Volume boosters.

Precision Pneumatics: Pressure Regulators, I-P Converters, Volume Boosters, Vacuum Regulators

Valves: Solenoid & Pneumatic Valves, Control Valves & Positioners, Actuated Ball, Globe or Diaphragm Valves & Isolation Valves

Services: Repair, Calibration, Panel Build, System Design & Commissioning

 A rotork® Brand
FAIRCHILD



bürkert



SIEMENS



alcon
SOLENOID VALVES

A rotork® Brand



MIDLAND-ACS
A rotork® Brand



Honeywell



 **Bourdon**
Baumer Group



SOLDO
CONTROLS

A rotork® Brand



Fine Controls (UK) LTD, Bassendale Road, Croft Business Park,
Bromborough, Wirral, CH62 3QL UK
Tel: 0151 343 9966
Email: sales@finecontrols.com

Model
66BP

The Model 66BP Stainless Steel Regulator is designed for corrosive environments and high temperatures.

Features

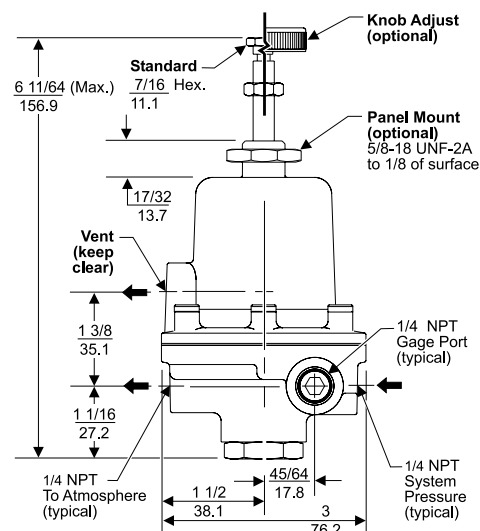
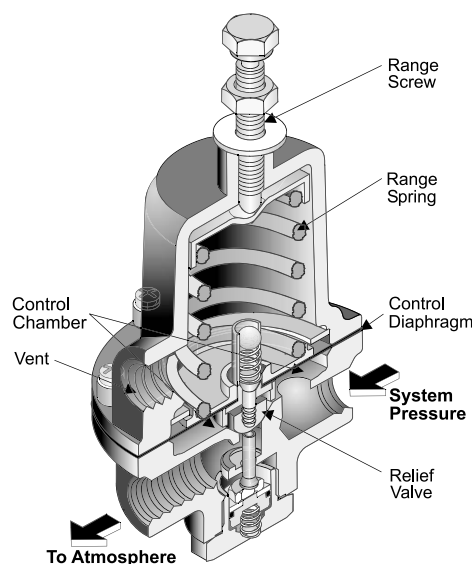
- Control sensitivity to 1" water column allows use in precision applications.
- Large Control Diaphragm area for increased sensitivity.
- Fluorocarbon Elastomers are compatible with corrosive materials and environments.
- Valve Damper eliminates hunting and buzzing.
- Line or Panel Mounting provides flexibility for installation.

Operating Principles

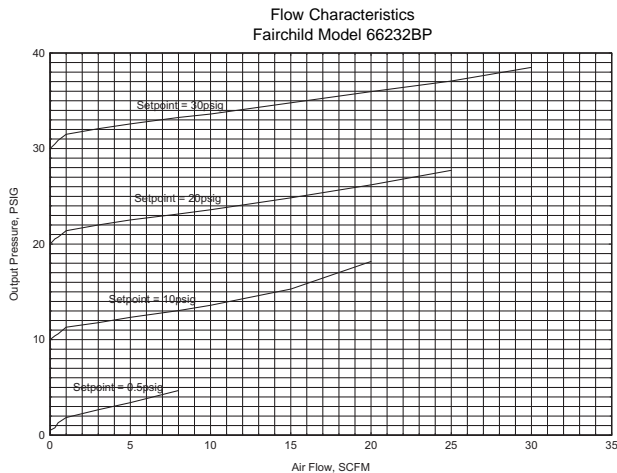
When you adjust the Range Screw to a specific setpoint, the Range Spring exerts a downward force against the top of the Control Diaphragm. This downward force closes the Relief Valve. When the force from the system pressure that acts on the bottom of the Control diaphragm is less than the force that acts on the top of the Control Diaphragm, the Relief Valve remains closed.

When the system pressure increases, the force that acts on the bottom of the Control Diaphragm increases until it reaches the setpoint.

When the system pressure rises above the setpoint, the Diaphragm Assembly moves upward lifting the Relief Valve from its seat and vents the excess pressure from the system. The relief valve closes as set point is reached.



Technical Information



Specifications

Supply Pressure

150 psig, [10 BAR], (1000 kPa) Maximum

Flow Capacity

22 SCFM (37.4 m³/HR) @ 100 psig, [7.0 BAR], (700 kPa) system pressure

Sensitivity

1" (2.54 cm) Water Column

Ambient Temperature

-85°F to +300°F, (-65°C to 149°C)

Materials of Construction

Body and Housing 316 Stainless Steel
Diaphragms Fluorocarbon on Nomex
..... with Teflon Shield
Trim 316 Stainless Steel and Teflon

Catalog Information

Catalog Number 6 6 2 **BP** **Model 66BP**

Pressure Range

psig	[BAR]	(kPa)	
0-10	[0-0.70]	(0-70)	2
0.5-30	[0.03-2]	(3-200)	3
1-60	[0.10-4]	(10-400)	4
2-100	[0.15-7]	(15-700)	5
2-150	[0.15-10]	(15-1000)	6

Inlet/Outlet Port Size

1/4" NPT	2
3/8" NPT	3
1/2" NPT	4

Port Thread

NPTF	N U H
BSPT (Tapered)	
BSPF (Parallel)	

Elastomers

Fluorocarbon	J
--------------	---

Actuator

Knob Adjust	K
Screw	S

Bonnet

Stainless Steel	S A
Aluminum	

Options

Tapped Exhaust	E
----------------	---

Mounting

None	N P
Panel Mounting	

Installation

For installations instructions, refer to the *Fairchild Model 66 Stainless Steel Back Pressure Regulator Instruction, Operation and Maintenance Instructions, IS-100066BP*.