

FINE CONTROLS (UK) LTD



Fine Controls have been supplying process controls & instrumentation equipment since 1994, & now serves an ever expanding customer base, both in the UK & globally.

We offer a full range of valve & instrumentation products & services, with our product range representing leading technologies & brands:

Flow: Flow Meters & Transmitters, Flow Switches, Flow Control Valves & Batch Control Systems

Temperature: Temperature Probes & Thermowells, Temperature transmitters, Temperature Regulators & Temperature Displays

Level: Level Transmitters & Switches

Pressure: Pressure Gauges & Transmitters, Precision & High Pressure Regulators & I-P Converters, Volume boosters.

Precision Pneumatics: Pressure Regulators, I-P Converters, Volume Boosters, Vacuum Regulators

Valves: Solenoid & Pneumatic Valves, Control Valves & Positioners, Actuated Ball, Globe or Diaphragm Valves & Isolation Valves

Services: Repair, Calibration, Panel Build, System Design & Commissioning

 A rotork® Brand
FAIRCHILD



bürkert



SIEMENS



alcon
SOLENOID VALVES

A rotork® Brand



MIDLAND-ACS
A rotork® Brand



Honeywell



 **Bourdon**
Baumer Group



SOLDO
CONTROLS

A rotork® Brand



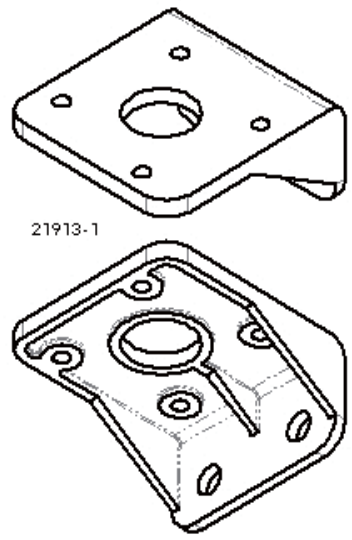
Fine Controls (UK) LTD, Bassendale Road, Croft Business Park,
Bromborough, Wirral, CH62 3QL UK
Tel: 0151 343 9966
Email: sales@finecontrols.com

Model 55 Miniature Precision Regulator



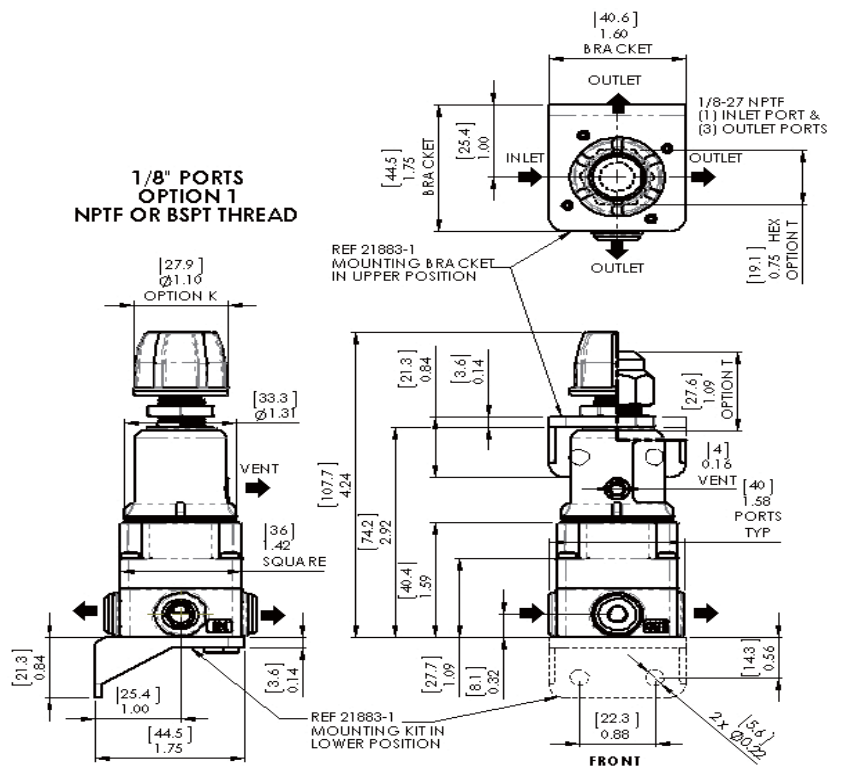
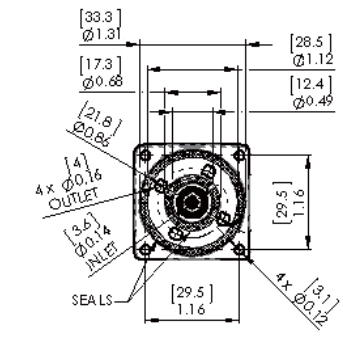
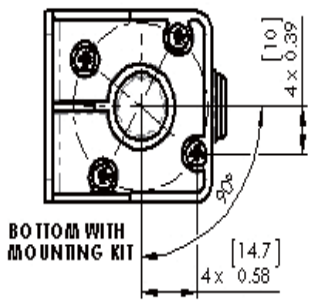
Features

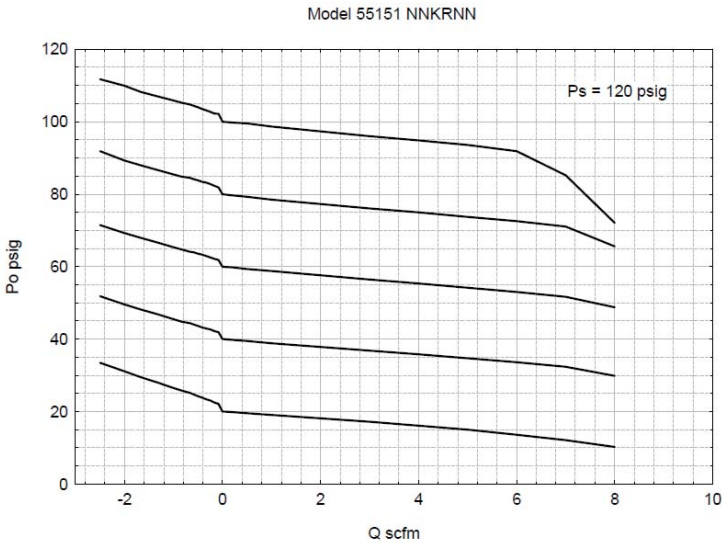
- Compact size
- Lightweight unit
- Handles high supply pressure
- High accuracy for precision control
- Polymer construction for corrosive resistance
- Venturi design compensates downstream pressure drop under flowing conditions
- Non-rising adjustment knob
- Manifold mount capability
- Push to connect fittings in all ports
- Separate control chamber isolates the Diaphragm from the main flow to eliminate hunting and buzzing



Operating Principles

When the setpoint is reached, the upward force of the output pressure that acts on the bottom of the Diaphragm balances with the downward force that acts on the top of the Diaphragm. If the output pressure rises above the setpoint, the force that acts on the bottom of the Diaphragm moves the Diaphragm Assembly upward to close the Supply Valve and open the Relief Valve. Excess output pressure exhausts through the Vent in the unit until it reaches the setpoint.





Specifications

Flow Capacity
9 SCFM (17.0 m³/HR) @ 120 psig, [8 BAR], (800 kPa) supply

Exhaust Capacity
2 SCFM (3.4 m³/HR) where downstream pressure is 15 psig, [1.0 BAR], (100 kPa)

Maximum Supply Pressure
150 psig, [10 BAR], (1000 kPa)

Supply Pressure Effect
0.1 psig for 10 psig change in supply

Ambient Temperature
0°F to +160°F, (-17.8°C to 71.1°C)

Materials of Construction
Body and Housing.....Valox 508
Valve.....Stainless Steel
Diaphragm.....Polymer Reinforced Nitrile
Mounting Bracket.....Valox 508

Ordering Information

Catalog Number	551							
Pressure Ranges:								
0-10 psi.....	2							
0.5-30 psi.....	3							
1-60 psi.....	4							
2-100 psi.....	5							
Inlet/Outlet Port Size:								
Manifold Mount.....	0							
1/8".....	1							
Port Thread:								
NPTF.....					N			
Elastomer								
Nitrile.....						N		
Actuator								
Knob.....							K	
Tamper Proof.....							T	
Relief								
Relieving, Normal Bleed.....							R	
Non Relieving.....							N	
Gauge								
Gauge.....								G
Without Gauge.....								N
Mounting Bracket								
Mounting Bracket.....								B
Without Mounting Bracket.....								N

Installation

For installations instructions, refer to the Fairchild Model 55 Miniature Precision Regulator Instruction, Operation and Maintenance Instructions, ???