

FINE CONTROLS (UK) LTD



Fine Controls have been supplying process controls & instrumentation equipment since 1994, & now serves an ever expanding customer base, both in the UK & globally.

We offer a full range of valve & instrumentation products & services, with our product range representing leading technologies & brands:

Flow: Flow Meters & Transmitters, Flow Switches, Flow Control Valves & Batch Control Systems

Temperature: Temperature Probes & Thermowells, Temperature transmitters, Temperature Regulators & Temperature Displays

Level: Level Transmitters & Switches

Pressure: Pressure Gauges & Transmitters, Precision & High Pressure Regulators & I-P Converters, Volume boosters.

Precision Pneumatics: Pressure Regulators, I-P Converters, Volume Boosters, Vacuum Regulators

Valves: Solenoid & Pneumatic Valves, Control Valves & Positioners, Actuated Ball, Globe or Diaphragm Valves & Isolation Valves

Services: Repair, Calibration, Panel Build, System Design & Commissioning

A rotork® Brand
FAIRCHILD



bürkert



SIEMENS



alcon
SOLENOID VALVES

A rotork® Brand



MIDLAND-ACS
A rotork® Brand



Honeywell



Bourdon
Baumer Group



SOLDO
CONTROLS

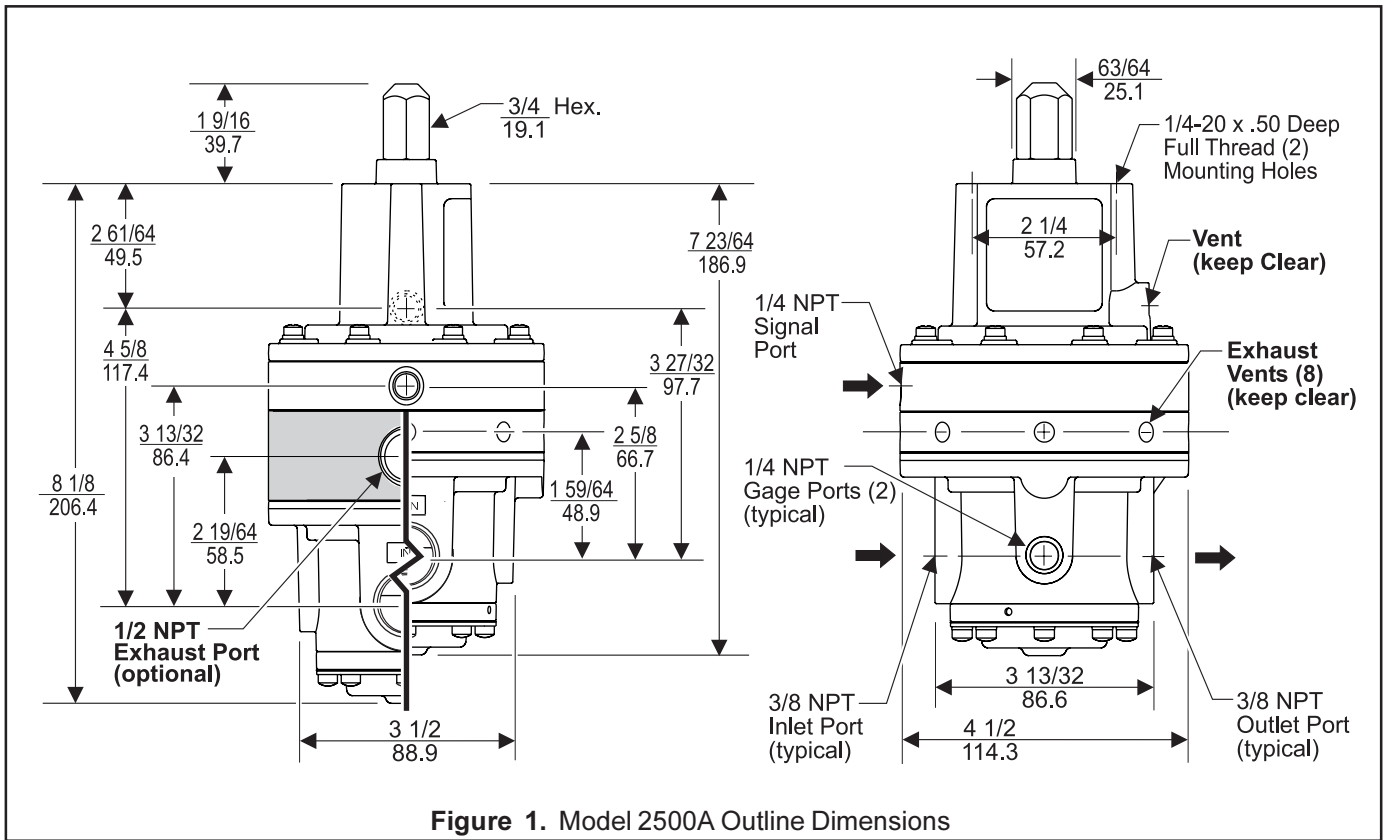
A rotork® Brand



Fine Controls (UK) LTD, Bassendale Road, Croft Business Park,
Bromborough, Wirral, CH62 3QL UK
Tel: 0151 343 9966
Email: sales@finecontrols.com

FAIRCHILD MODEL 2500A BIAS REVERSING RELAY

Installation, Operation and Maintenance Instructions



INSTALLATION

Use the two 1/4-20 tapped holes in the Bonnet to panel mount the Model 2500A. You can mount the relay in any position without affecting its operation.

Clean all pipelines to remove dirt and scale before installation.

Apply a minimum amount of pipe compound to the male threads of the fitting only. **DO NOT use teflon tape as a sealant.** Start with the third thread back and work away from the end of the fitting to avoid contaminating the relay. Install the relay in the air line.

The Inlet and Outlet ports are labeled "In" and "Out". Tighten all connections securely. Avoid undersized fittings that will limit the flow through the relay. For more information, see Figure 1.

NOTES: Oil free air must be applied to the relay. Use a filter to remove dirt and entrained liquid in the air line ahead of the relay. If an air line lubricator is used, it **MUST** be located downstream of the relay to avoid interference with performance.

OPERATION

The Model 2500A provides output pressure that decreases in direct proportion to increases in input signal. To decrease the bias pressure, turn the screw under the Tamper Proof Cap counterclockwise. To increase the bias pressure, turn the screw clockwise. ($P_o = K - P_s$); where P_o is output pressure, K is the spring constant, set by the screw, and P_s is signal pressure. For more information, see Figure 1.

MAINTENANCE

To clean the Model 2500A, use the following steps:

1. Shut off system pressure to the relay to prevent air from escaping. It is not necessary to remove the relay from the air line.
2. Remove the four Screws and Washers (between ports) from the bottom of unit. For more information, see Figure 2.
3. Remove the Inner Valve Assembly. For more information, see Figure 2.
4. Wash the Inner Valve Assembly with a solvent. Exercise care to prevent damage to diaphragms and valve facings. **Avoid solvents such as acetone, carbon tetrachloride and trichloroethylene.**
5. Replace the assembly carefully. Ensure that the Vent in the exterior part of the Inner Valve Assembly, the Vent in the Bonnet, and the Exhaust Vents in the Spacer Ring are clear. For more information, see Figure 2.

Troubleshooting

Problem	Source	Solution
Leakage	Bonnet Screws	Tighten the Bonnet Screws.
High Bleed	<ul style="list-style-type: none"> • Relief Valve • Supply Valve • Supply Seat 	<ul style="list-style-type: none"> • If contaminated, clean the source and Body.
	<ul style="list-style-type: none"> • Diaphragm Assembly 	<ul style="list-style-type: none"> • If damaged, install the service kit.

NOTE: If the standard maintenance procedure does not correct the problem, install the appropriate service kit.

Standard

• 19551-1

Tapped Exhaust

• 19551-1E

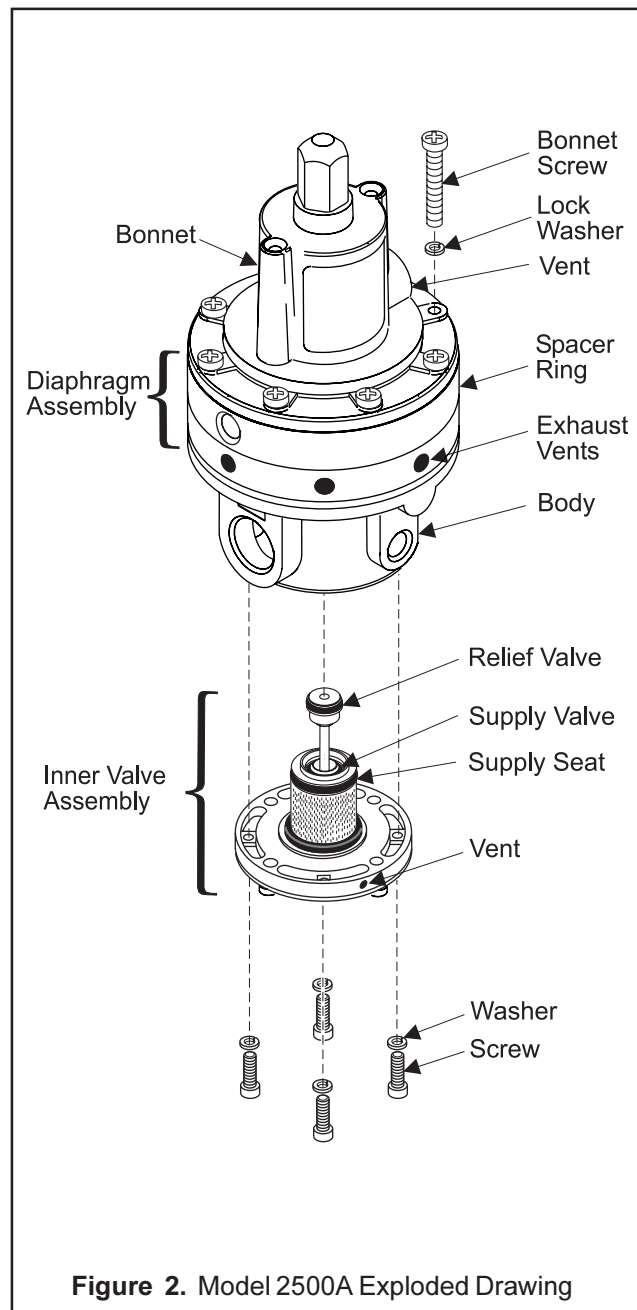


Figure 2. Model 2500A Exploded Drawing



ISO 9001:2000
Certified