

FINE CONTROLS (UK) LTD



Fine Controls have been supplying process controls & instrumentation equipment since 1994, & now serves an ever expanding customer base, both in the UK & globally.

We offer a full range of valve & instrumentation products & services, with our product range representing leading technologies & brands:

Flow: Flow Meters & Transmitters, Flow Switches, Flow Control Valves & Batch Control Systems

Temperature: Temperature Probes & Thermowells, Temperature transmitters, Temperature Regulators & Temperature Displays

Level: Level Transmitters & Switches

Pressure: Pressure Gauges & Transmitters, Precision & High Pressure Regulators & I-P Converters, Volume boosters.

Precision Pneumatics: Pressure Regulators, I-P Converters, Volume Boosters, Vacuum Regulators

Valves: Solenoid & Pneumatic Valves, Control Valves & Positioners, Actuated Ball, Globe or Diaphragm Valves & Isolation Valves

Services: Repair, Calibration, Panel Build, System Design & Commissioning

 A rotork® Brand
FAIRCHILD



bürkert



SIEMENS



alcon
SOLENOID VALVES

A rotork® Brand



MIDLAND-ACS
A rotork® Brand



Honeywell



 **Bourdon**
Baumer Group



SOLDO
CONTROLS

A rotork® Brand



Fine Controls (UK) LTD, Bassendale Road, Croft Business Park,
Bromborough, Wirral, CH62 3QL UK
Tel: 0151 343 9966
Email: sales@finecontrols.com

INSTRUCTIONS FOR THE INSTALLATION, OPERATION AND MAINTENANCE OF

FAIRCHILD MODEL 15 PNEUMATIC POSITIVE BIAS RELAY

GENERAL INFORMATION

The Fairchild Model 15 positive bias relay provides an output pressure which is a function of signal pressure plus set bias. Thus output pressure can never be less than the bias pressure which is set into the instrument.

Specifications Model 15

Flow capacity 40 SCFM (68 m³/HR) max
100 psig [7.0 BAR] (700 kPa) supply;
20 psig [1.5 BAR] (150 kPa) setpoint

Exhaust capacity 5^{1/2} SCFM (9.4 m³/HR)
downstream pressure 5 psig
[.35 BAR] (35 kPa) above set pressure

Sensitivity 1/4" (.64 cm) W.C.

Effect of supply
pressure variation Less than 0.1 psig
[.007 BAR] (0.7 kPa) for 100 psig
[7.0 BAR] (700 kPa) change

Supply pressure 250 psig [17.0 BAR] (1700 kPa) max

Signal pressure 150 psig [10.0 BAR] (1000 kPa) max

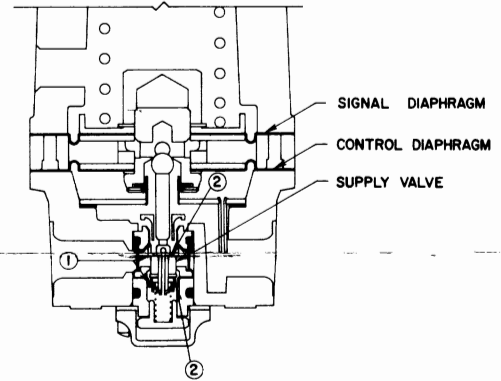
Output pressure 150 psig [10.0 BAR] (1000 kPa) max

Mounting pipe or panel

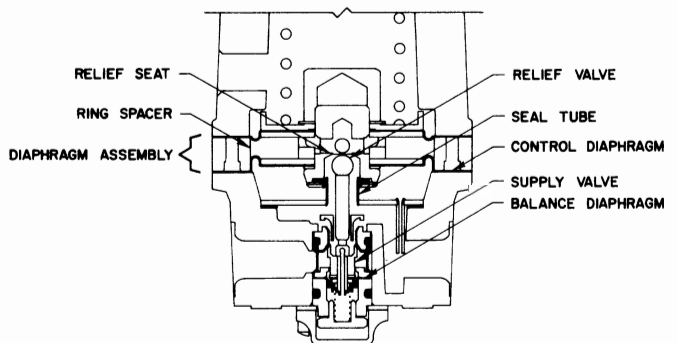
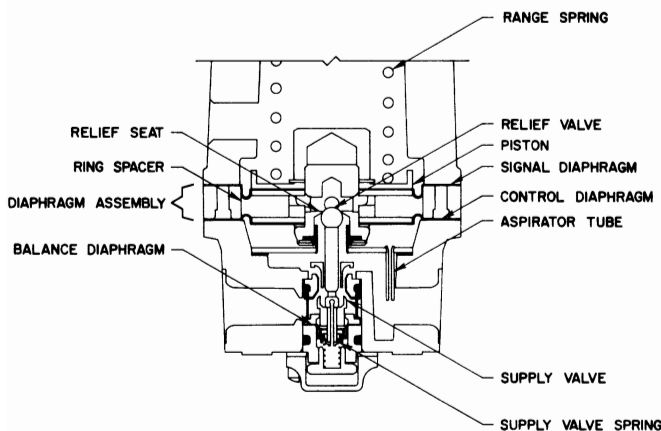
Ambient temperature limits -40°F to +200°F
(-40°C to 93.3°C)

PRINCIPLES OF OPERATION

Supply air is introduced to the inlet port, exerting pressure against the supply valve and the inner valve assembly balance diaphragm simultaneously. These opposite acting forces keep the supply valve assembly balanced and virtually unaffected by change in supply pressure. When the knob of the Model 15 is adjusted to a specific setpoint, the positive bias spring exerts a force against the top of the signal diaphragm; signal pressure P_s also exerts pressure against the top of the signal diaphragm. The combined force is the result of the sum of P_s acting on the effective diaphragm area and the positive bias spring force, so that $P_o = P_s + K$ where P_o is output pressure, P_s is signal pressure, and K is the spring constant. Thus, the relay output is the sum of signal pressure and the set bias. This force keeps the relief seat against the relief valve. This condition is not achieved until output pressure reaches the desired setpoint. Until then, the downward force opens the supply valve, allowing supply air to be routed to the outlet port. Outlet (downstream) pressure is transmitted through the aspirator tube to the control chamber where it is sensed by the control diaphragm. The increase in pressure on the bottom of the control diaphragm, aided by the supply valve spring force, causes the diaphragm assembly to move upward against the force of signal pressure acting on the top of the signal diaphragm and the positive bias spring force acting on the piston. This force, acting through the pintle, allows the supply valve to throttle, maintaining the output pressure.



When setpoint is reached, the force acting on the bottom of the control diaphragm is in balance with the force acting on the top of the signal diaphragm. Under these conditions the force (1) due to the supply pressure acting on the underside of the supply valve and force (1) due to supply pressure acting on top of the balance diaphragm are balanced. The force (2) due to downstream pressure acting on top of the supply valve and the force (2) due to downstream pressure acting on the underside of the balance diaphragm are in balance.



As downstream pressure increases above set point, the force on the bottom of the control diaphragm moves the diaphragm assembly upward, allowing the supply valve to be seated. As the diaphragm assembly continues to slide upward on the seal tube, the relief valve seat moves away from the relief valve. Exhaust air vents through holes in the ring spacer. When downstream pressure decreases below set point, the pressure

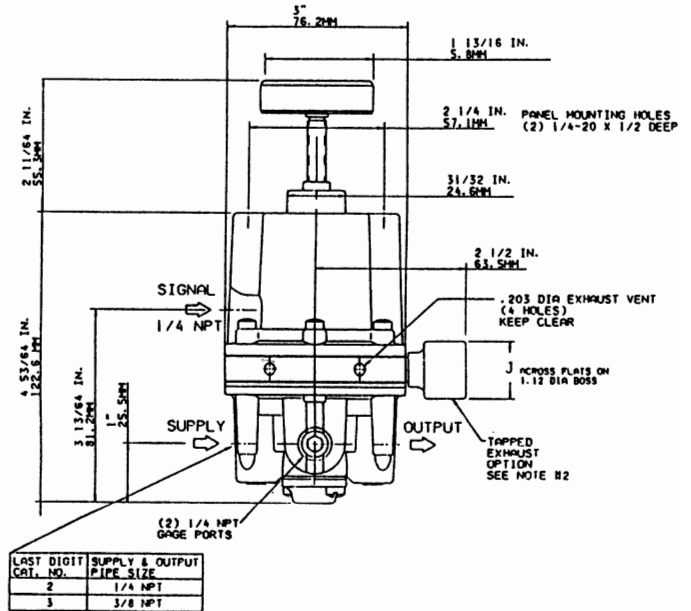
decrease is communicated through the aspirator tube to the bottom of the control diaphragm. A decrease in pressure on the control diaphragm will cause the diaphragm assembly to move downward, lowering the relief seat against the relief valve. As this downward movement continues, the supply valve will open, increasing downstream pressure until set point value is reached.

INSTALLATION

Clean all pipe lines to remove dirt and scale before installation is made. Apply minimum amount of pipe compound to male threads of air line only. Start with third thread back and work away from end of line to avoid possibility of getting compound into relay. Install relay in air line; body is fitted with a 1/4" or 3/8" NPT for the inlet and outlet connections. Relay can be mounted in any position without affecting its operation. Inlet and outlet connections are labelled (look for arrows denoting direction of flow on underside of unit) and should be tightened securely. Avoid undersized fittings that will limit flow through the relay and cause pressure drop downstream. The use of a filter to remove dirt and entrained liquid in the air line ahead of the relay is recommended for best performance. If an air line lubricator is used, it should be located downstream beyond the relay in order to avoid interference with the relay performance.

NOTICE

The presence of certain diester oils in airlines may hasten deterioration of the elastomers and thus decrease the useful life of this unit.



ADJUSTMENTS

No field adjustments are required.

OPERATION

Relieve pressure on range spring before putting relay into service for the first time. To operate, turn the adjusting screw slowly in a clockwise direction until required downstream pressure is obtained. Turned in

this direction, the screw compresses the range spring causing increased output pressure. For decreased output pressure, turn the screw counterclockwise.

MAINTENANCE

The relay is easily disassembled for the occasional cleaning or removal of foreign matter. Before this is done, however, shut off valve upstream of the relay to prevent escape of air when relay is disassembled. There is no need to remove the relay from the pipe line; remove the two No. 10-32 screws on the bottom of the unit and pull out the inner valve assembly. Wash inner valve assembly with solvent exercising care to avoid

damaging diaphragms and valve facings. Replace assembly carefully.

The vent hole in the bonnet should be kept clear. A slight flow of air through this hole is necessary for the proper operation of the relay.

The adjusting screw should be lubricated with Moly-cote type "G" grease.

SERVICE KIT INSTALLATION

For Model 15

NOTE: Service kit installation instructions are typical for the Standard Model 15 unit. Partial exploded views are included for the Tamper proof components.

1. Check parts in the EA-12129 service kit against parts marked with an asterisk in the exploded view and the associated table.
2. Mark Bonnet Assembly (3), Ring Spacer (8) and Body (13) so that the relay can be reassembled correctly.
3. Turn Knob Assembly (1) to decrease compression on Spring (6).

For Model 15 Tamper Proof

1. Check parts in the EA-12129 service kit against parts marked with an asterisk in the exploded view and the associated table.
2. Mark Bonnet Assembly (3) and Body (13) so that the relay can be reassembled correctly.
3. Remove Cap Nut (2A) and turn Adjusting Screw (2B) counter clockwise to release compression on Range Spring.

For All Model 15 Relays

4. Remove Six Screws (4) holding Bonnet (3) to Body (13). Lift Bonnet (3) from Body (13) and set aside.
5. Remove Spring Seat (5) and Spring (6) and set aside.
6. Remove Diaphragm Assembly (9) from Ring Spacer (8) and Discard. Secure Diaphragm Assembly (9) from service kit and sandwich over Ring Spacer (8) making sure that six holes in Diaphragm Assembly (9) are aligned with six holes in Ring Spacer (8).
7. Remove Two Screws (18) holding Cap (17) and Spacer (16) to Body (13).

8. Remove Four Screws (10) holding Seal Plate Assembly (11) to Body (13) and remove Seal Plate Assembly (11).
9. Using a soft hammer, tap out Inner Valve Assembly (15), Screen (15A) and Seat Assembly (14) and discard.
10. Remove Gasket (12) from Body (13) and discard.
11. Place Gasket (12) from service kit into well of Body (13) making sure that the four insets in Gasket (12) are aligned with holes in Body (13).
12. Place Seal Plate Assembly (11) in body (13) with aspirator tube extending into the space adjacent to the OUT port.
13. Using four Screws (10), fasten Seal Plate Assembly (11) to Body (13).
14. Secure Seat Assembly (14) from service kit and place, brass end first into bottom well of Body (13). Tap into place using a wooden dowel.
15. Secure Inner Valve Assembly (15) from service kit and place into Body (13). Place Plate (16) and Cap (17) over Inner Valve Assembly (15) and secure with two screws (18).
16. Place Diaphragm Assembly (9) over Body (13) making sure that marks made in step 2 coincide.
17. Place Spring (16) over Hexagonal Nut (7) in Diaphragm Assembly (9). Place Spring Seat (5) over Spring (6).
18. Place Bonnet Assembly (3) over Diaphragm (9) using marks in step 2 and make sure that six holes in Bonnet Assembly (3) are aligned with six holes in Diaphragm Assembly (9).
19. Using six Screws (4), fasten Bonnet Assembly (9) to Body (13).
20. Reinstall the relay in accord with instructions in the IOM and follow instructions in the operators section for placing the relay back in the service.

OPTIONS

	STD	T	E	A	J	U
Knob Assembly	EB-4124-1					
Nut	N/A	EB-1120	N/A	N/A	N/A	N/A
Cap Nut	N/A	EB-7057-2	N/A	N/A	N/A	N/A
Adjusting Screw	N/A	EB-8159-16	N/A	N/A	N/A	N/A
Spacer Ring	EB-7001		EB-8145-9			
Inner Valve Assembly	EB-15075-1	EB-15075-1	EB-15075-1	EB-15809-1	EB-15809-1	EB-15075-1
Diaphragm Assembly	EB-16084-1	EB-16084-1	EB-16084-1	EB-16395-1	EB-16140-1	EB-16084-1
Bonnet Assembly	EB-1895-1	EB-1895-1	EB-1895-1	EB-1895-1	EB-1895-1	EB-1895-2
Seat Assembly	EB-15074-1	EB-15074-1	EB-15074-1	EB-15351-1	EB-15348-1	EB-15074-1

OPTIONS

	EU ¹	JU ¹	AU ¹
Tapped Exhaust Ring	EB-8145-14		
Inner Valve Assembly	EB-15075-1	EB-15809-1	EB-15809-1
Diaphragm Assembly	EB-16084-1	EB-16140-1	EB-16395-1
Seat Assembly	EB-15074-1	EB-15348-1	EB-15351-1

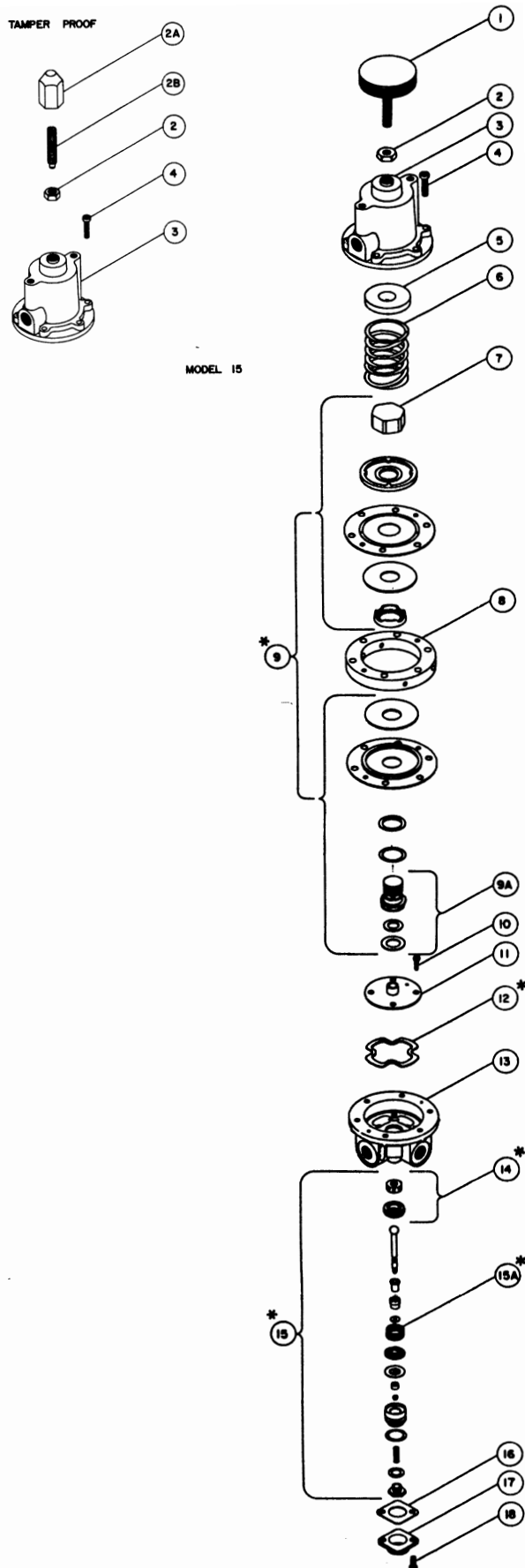
Index.	Part No.	Description
1	EB-4124-1	Knob Assembly
2	EB-1120	Nut
2 A	EB-7057-2	Cap Nut
2 B	EB-8159-16	Adjusting Screw
3	EB-1895-1	Bonnet Assembly
4	EB-1032-20	Screw
5	EB-6058	Spring Seat
6	EB-6060*	Spring
7	EB-8043-1	Nut
8	EB-7001	Ring Spacer
*9	EB-16084-1	Diaphragm Assembly
10	EB-1032-5	Screw
11	EB-7036	Seal Plate Assembly
*12	EB-6053	Seal Plate Gasket
13	See Table	Body
*14	EB-15074-1	Seat Assembly
*15	EB-15075-1	Inner Valve Assembly
*15 A	EB-6017	Screen
16	EB-6027	Plate
17	EB-7136	Cap
18	EB-1032-6	Screw

*EA-12129 Service Kit Components

OPTIONS

T — Tamper Proof
 E — Tapped Exhaust
 A — Silicone Parts
 J — Viton Parts
 U — British Standard Pipe Thread
 TU, JU, AU — Combination of Above

Port	Body
1/4 NPT	EB-14745-8
3/8 NPT	EB-14745-9
1/4 BSPT	EB-14745-12
3/8 BSPT	EB-14745-13
1/4 BSPP	EB-14745-17
3/8 BSPP	EB-14745-18



TROUBLE SHOOTING

PROBLEM	CHECK
Leakage	Body screw tightness Diaphragm
High Bleed	Relief pintle and relief seat for damage or contamination
Difficult to Adjust	Adjusting screw and ball Seal ring lubrication

REPAIR PARTS LIST

A Service Kit EA-12129 is available for Model 15 maintenance.
For J option Service Kit is 16464-1
For A option Service Kit is 16465-1



ISO 9001:2000
FM NO. 25571

IS-30000015
Litho in USA
Rev. H 1-97