

FINE CONTROLS (UK) LTD



Fine Controls have been supplying process controls & instrumentation equipment since 1994, & now serves an ever expanding customer base, both in the UK & globally.

We offer a full range of valve & instrumentation products & services, with our product range representing leading technologies & brands:

Flow: Flow Meters & Transmitters, Flow Switches, Flow Control Valves & Batch Control Systems

Temperature: Temperature Probes & Thermowells, Temperature transmitters, Temperature Regulators & Temperature Displays

Level: Level Transmitters & Switches

Pressure: Pressure Gauges & Transmitters, Precision & High Pressure Regulators & I-P Converters, Volume boosters.

Precision Pneumatics: Pressure Regulators, I-P Converters, Volume Boosters, Vacuum Regulators

Valves: Solenoid & Pneumatic Valves, Control Valves & Positioners, Actuated Ball, Globe or Diaphragm Valves & Isolation Valves

Services: Repair, Calibration, Panel Build, System Design & Commissioning

A rotork® Brand
FAIRCHILD



bürkert



SIEMENS



alcon
SOLENOID VALVES

A rotork® Brand



MIDLAND-ACS
A rotork® Brand



Honeywell



Bourdon
Baumer Group



SOLDO
CONTROLS

A rotork® Brand



Fine Controls (UK) LTD, Bassendale Road, Croft Business Park,
Bromborough, Wirral, CH62 3QL UK
Tel: 0151 343 9966
Email: sales@finecontrols.com

Type S030

INLINE fitting



Operating Instructions

Bedienungsanleitung
Manuel utilisateur

1. ABOUT THIS MANUAL.....	3
2. INTENDED USE.....	5
3. BASIC SAFETY INFORMATION.....	6
4. GENERAL INFORMATION.....	8
5. DESCRIPTION.....	9
6. TECHNICAL DATA.....	9
7. INSTALLATION.....	30
8. COMMISSIONING.....	38
9. MAINTENANCE.....	39
10. SPARE PARTS, ACCESSORIES.....	40
11. PACKAGING, TRANSPORT.....	44
12. STORAGE.....	45
13. DISPOSAL OF THE PRODUCT.....	46

1. ABOUT THIS MANUAL

This manual describes the entire lifecycle of the fitting. Please keep this manual in a safe place, accessible to all users and any new owners.

This manual contains important safety information.

Failure to comply with these instructions can lead to hazardous situations.

- This manual must be read and understood.

Symbols used

DANGER

Warns you against an imminent danger.

- Failure to observe this warning can result in death or in serious injury.

WARNING

Warns you against a potentially dangerous situation.

- Failure to observe this warning can result in serious injury or even death.

 **CAUTION**

Warns you against a possible risk.

- Failure to observe this warning can result in substantial or minor injuries.

NOTE

Warns you against material damage.

- Failure to observe this warning may result in damage to the fitting or the system.



indicates additional information, advice or important recommendations for your safety and for the perfect operation of the device inserted into the fitting.

→ indicates a procedure to be carried out.

4

english

- Do not use this fitting to measure gas flow rates.
- Do not use fluid that is incompatible with the materials from which the fitting is made.
- Do not use this fitting in an environment incompatible with the materials from which it is made.
- Do not subject the fitting to mechanical loads (by placing objects on top of it or by using it as a step, for example).
- Do not make any external modifications to the device. Do not paint any part of the fitting.

3. BASIC SAFETY INFORMATION

This safety information does not take into account:

- any contingencies or occurrences that may arise during installation, use and maintenance of the devices.
- the local safety regulations that the operator must ensure the staff in charge of installation and maintenance observe.



Danger due to high pressure in the installation.

Danger due to high temperatures of the fluid.

Danger due to the nature of the fluid.

6

english

2. INTENDED USE

Use of Inline fittings that does not comply with the instructions could present risks to people, nearby installations and the environment.

- The S030 fitting is intended to measure the flow rate of clean fluids in the piping thanks to its paddle wheel. The S030 fitting may be combined to an electronic module for displaying, monitoring or controlling the flow rate, or a transmitter fitted with a bajonett connection.
- Use this fitting in compliance with the specifications and conditions of commissioning and use given in the contractual documents, in this user manual and in the user manual of the electronic device which is fitted into it.
- Safe and trouble-free operation of the fitting depends on its proper transport, storage and installation, as well as careful operation and maintenance.
- Only use this fitting as intended.

Restraints

Observe any existing restraints when the fitting is exported.

Foreseeable misuse

- Do not use the fittings in PVC or PP in explosive atmospheres.

english

5

**Various dangerous situations**

To avoid injury take care to:

- prevent any power supply switch-on.
- ensure that installation and maintenance work are carried out by qualified, authorised personnel in possession of the appropriate tools.
- guarantee a set or controlled restarting of the process, after a power supply interruption.
- use the fitting only if in perfect working order and in compliance with the instructions provided in the user manual.
- observe the general technical rules when installing and using the fitting.

NOTE

Chemical compatibility of materials in contact with the fluid.

- Systematically check the chemical compatibility of the component materials of the fitting and the products likely to come into contact with it (for example: alcohols, strong or concentrated acids, aldehydes, alkaline compounds, esters, aliphatic compounds, ketones, halogenated aromatics or hydrocarbons, oxidants and chlorinated agents).

english

7



The type S030 fitting has been developed with due consideration given to accepted safety rules and is state-of-the-art. However, risks may arise.

Failure to observe these instructions as well as any unauthorised work on the fitting excludes us from any liability and also nullifies the warranty which covers the fitting and its accessories.

4. GENERAL INFORMATION

The addresses of our international branches can be found on the last pages of this manual.

They can also be found on the Internet under:

www.burkert.com

Warranty conditions

The condition governing the legal warranty is the conforming use of the S030 in observance of the operating conditions specified in this manual.

Information on the Internet

You can find the user manual and technical data sheet regarding the type S030 at:

www.burkert.com

5. DESCRIPTION

Area of application

The S030 fitting is intended to measure the flow rate of clean fluids on DN6 to DN65 pipes thanks to its paddle wheel. It must be combined with an electronic device (indicator, on/off flow sensor or transmitter) which converts the pulse frequency due to paddle-wheel rotation.

The electronic device can be removed without opening the piping or stopping the process.

Measuring principle

The fluid flowing in the piping makes the paddle-wheel turn. The paddle-wheel rotational frequency f is proportional to the flow rate.

6. TECHNICAL DATA

Conditions of use



The fluid temperatures and pressures may be restricted by the electronic device mounted on the fitting: refer to the relevant manual.

Ambient temperature	depends on the device mounted on the S030. Refer to the relevant manual.
---------------------	--

Fluid pressure	<ul style="list-style-type: none"> PN16 (or PN40 on request) for metal fittings PN 10 for plastic fittings, depends on fluid temperature, see Fig. 1.
----------------	---

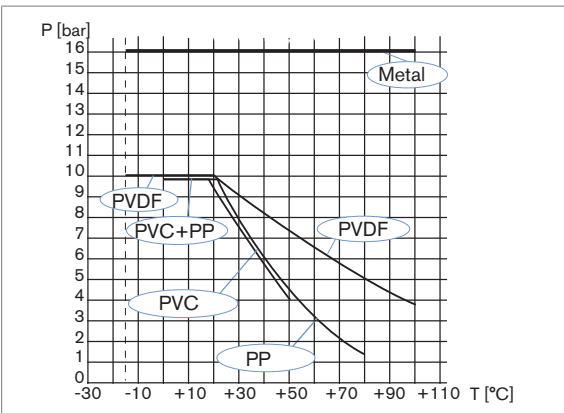


Fig. 1: Pressure / temperature chart of the S030 fitting

Fluid temperature	depends on the material from which the S030 fitting and the paddle-wheel are made, see the following table.
-------------------	---

Paddle-wheel material	Body fitting material	Fluid temperature
PP	Stainless steel	+0°C...+80°C
	Brass	
	PVDF	+0°C...+50°C
	PP	
PVDF	PVC	+0°C...+50°C
	Stainless steel	
	Brass	-15°C...+100°C
	PVDF	
	PP	
PVC	+0°C...+50°C	

Compliance to Pressure Directive

The S030 fitting complies with the requirements of article 3 of §3 from the 97/23/CE Pressure Directive.

In accordance with the Pressure Directive 97/23/CE, the product can be used in the following cases (depends on max. pressure, pipe DN and fluid type):

Fluid type	Conditions
Fluid group 1 § 1.3.a	DN ≤ 25 only
Fluid group 2 § 1.3.a	DN ≤ 32 or DN > 32 and PNxDN ≤ 1000
Fluid group 1 § 1.3.b	PNxDN ≤ 2000
Fluid group 2 § 1.3.b	DN ≤ 200

Available certificates

- Certificate 3.1
- Certificate 2.2
- Rugosity certificate
- Calibration certificate
- FDA approval (with EPDM seal), for an S030 in stainless steel only

General technical data

Fluid viscosity max.	300 cSt
----------------------	---------

Materials

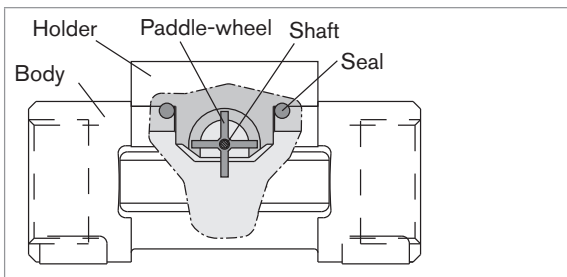


Fig. 2: S030 fitting sectional drawing

Component	Material
Seal	FKM EPDM, approved by FDA on request
Body	Stainless steel (316L - 1.4435) Brass (CuZn39Pb2) PVC, PP, PVDF
Screws	Stainless steel (316L - 1.4404)
Paddle-wheel	PVDF PP on request
Shaft and bearings	Ceramics (Al ₂ O ₃)

Fluid type	Clean, neutral or slightly aggressive
Solid particles rate	max. 1%
Size of particles max.	0,5 mm
Flow velocity	0,3 up to 10 m/s
Linearity	≤ ± 0.5% of full scale (10 m/s)*
Repeatability	± 0.4% of reading*

* under reference conditions i.e measuring fluid = water, ambient and water temperature = 20°C, applying the minimum inlet and outlet pipe straights, matched inside pipe dimensions.

Available diameters

The available diameters depend on the finish of the S030 fitting.

Internal thread	DN15 up to DN50
External thread : G, NPT or Rc in stainless steel or in brass	DN06 up to DN50
External thread : according to SMS 1145, in stainless steel	DN25 up to DN50
Weld ends, in stainless steel	DN08 up to DN65
Clamp	DN08 up to DN65
Flange	DN15 up to DN50
True union	DN08 up to DN50
Spigot, in PVC, PP or PVDF	DN15 up to DN50

Table 1: Dimensions of internal-thread fittings G, Rc or NPT in stainless steel or brass

DN [mm]	P [mm]	A [mm]	D [inch]	L [mm]
15	34,5	84,0	G 1/2 NPT 1/2 Rc 1/2	16,0 17,0 15,0
20	32,0	94,0	G 3/4 NPT 3/4 Rc 3/4	17,0 18,3 16,3
25	32,2	104,0	G 1 NPT 1 Rc 1	23,5 18,0 18,0
32	35,8	119,0	G 1 1/4 NPT 1 1/4 Rc 1 1/4	23,5 21,0 21,0
40	39,6	129,0	G 1 1/2 NPT 1 1/2 Rc 1 1/2	23,5 20,0 19,0
50	45,7	148,5	G 2 NPT 2 Rc 2	27,5 24,0 24,0

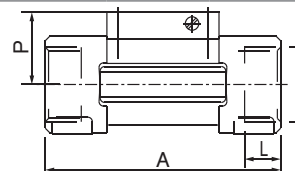
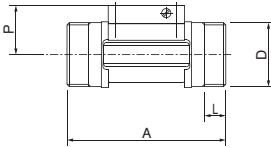


Table 2: Dimensions of external-thread fittings G, NPT or Rc in stainless steel, brass, PVC or PVDF

DN [mm]	P [mm]	A [mm]	D [inch]	D [mm]	L [mm]
06	29,5	90,0	G 1/4 or 1/2	-	14,0
08	29,5	90,0	1/2*	M 16 x 1,5	14,0
15	34,5	84,0	G 3/4	-	11,5
20	32,0	94,0	G 1	-	13,5
25	32,2	104,0	G 1 1/4	-	14,0
32	35,8	119,0	G 1 1/2	-	18,0
40	39,6	129,0	-	M 55 x 2	19,0
50	45,7	148,5	-	M 64 x 2	20,0



* G, NPT or Rc according to fitting version

Table 3: Dimensions of external-thread fittings according to SMS 1145, in stainless steel

DN [mm]	P [mm]	A [mm]	D
25	32,0	130	Rd 40 x 1/6"
40	35,8	164	Rd 60 x 1/6"
50	39,6	173	Rd 70 x 1/6"

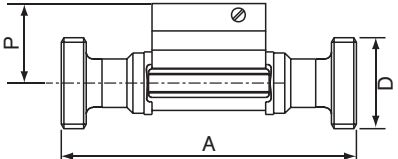


Table 4: Dimensions of weld-end fittings according to EN ISO 1127/ISO 4200, SMS 3008, BS 4825/ASME BPE and DIN 11850 Series 2, in stainless steel

DN [mm]	P [mm]	A [mm]	standard	D [mm]	s [mm]
08	-	-	EN ISO 1127 / ISO 4200	-	-
	-	-	SMS 3008	-	-
	-	-	ASME BPE	-	-
	29,5	90,0	DIN 11850 series 2	13,00	1,50

DN [mm]	P [mm]	A [mm]	standard	D [mm]	s [mm]
15	34,5	84,0	EN ISO 1127 / ISO 4200	21,30	1,60
	-	-	SMS 3008	-	-
	-	-	ASME BPE	-	-
	34,5	84,0	DIN 11850 series 2	19,0	1,50
20	32,0	94,0	EN ISO 1127 / ISO 4200	26,9	1,60
	-	-	SMS 3008	-	-
	34,5	84,0	ASME BPE	19,05	1,65
	34,5	84,0	DIN 11850 series 2	23,00	1,50
25	32,2	104,0	EN ISO 1127 / ISO 4200	33,70	2,00
	32,0	94,0	SMS 3008	25,00	1,20
	32,0	94,0	ASME BPE	25,40	1,65
	32,0	94,00	DIN 11850 series 2	29,00	1,50
32	35,8	119,0	EN ISO 1127 / ISO 4200	42,40	2,00
	-	-	SMS 3008	-	-
	32,2	104,0	ASME BPE	32,00	1,65
	32,2	104,0	DIN 11850 series 2	35,00	1,50
40	39,6	129,0	EN ISO 1127 / ISO 4200	48,30	2,00
	35,8	119,0	SMS 3008	38,00	1,20
	35,8	119,0	ASME BPE	38,10	1,65
	35,8	119,0	DIN 11850 series 2	41,00	1,50
50	45,7	148,5	EN ISO 1127 / ISO 4200	60,30	2,60
	39,6	128,0	SMS 3008	51,00	1,20
	39,6	128,0	ASME BPE	50,80	1,65
	39,6	128,0	DIN 11850 series 2	53,00	1,50
65	-	-	EN ISO 1127 / ISO 4200	-	-
	45,7	147,0	SMS 3008	63,50	1,60
	45,7	147,0	ASME BPE	63,50	1,65
	-	-	DIN 11850 series 2	-	-

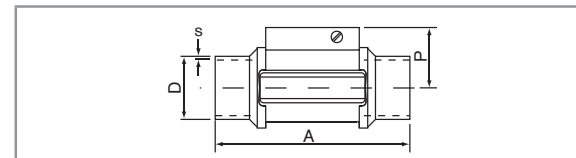


Table 5: Dimensions of clamp fittings in stainless steel according to
 a) ISO (for piping EN ISO 1127 / ISO 4200),
 b) SMS 3017 / ISO 2852*,
 c) BS 4825/ASME BPE* or
 d) DIN 32676

*available with internal surface finish Ra = 0.8 µm

DN [mm]	P [mm]	A [mm]	Norm	D2 [mm]	D1 [mm]	D [mm]
08	-	-	a	-	-	-
	-	-	b	-	-	-
	-	-	c	-	-	-
	29,5	125	d	10,0	27,5	34,0
15	34,5	130	a	18,10	27,5	34,0
	-	-	b	-	-	-
	-	-	c	-	-	-
	29,5	119	d	16,00	27,5	34,0
20	32,0	150	a	23,70	43,5	50,5
	-	-	b	-	-	-
	34,5	119	c	15,75	19,6	25,0
	34,5	119	d	20,00	27,5	34,0

DN [mm]	P [mm]	A [mm]	Norm	D2 [mm]	D1 [mm]	D [mm]
25	32,2	160	a	29,70	43,5	50,5
	32,0	129	b	22,60	43,5	50,5
	32,0	129	c	22,10	43,5	50,5
	32,0	136	d	26,00	43,5	50,5
32	35,8	180	a	38,40	43,5	50,5
	-	-	b	-	-	-
	-	-	c	-	-	-
	-	-	d	-	-	-
40	39,6	200	a	44,30	56,5	64,0
	35,8	161	b	35,60	43,5	50,5
	35,8	161	c	34,80	43,5	50,5
	35,8	161	d	38,00	43,5	50,5
50	45,7	230	a	55,10	70,5	77,5
	39,6	192	b	48,60	56,5	64,0
	39,6	192	c	47,50	56,5	64,0
	39,6	170	d	50,00	56,5	64,0
65	-	-	a	-	-	-
	45,7	216	b	60,30	70,5	77,5
	45,7	216	c	60,20	70,5	77,5
	-	-	d	-	-	-

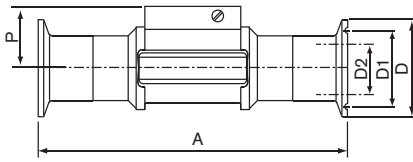


Table 6: Dimensions in mm of flange fittings according to EN1092-1 (ISO PN16), ANSI B16-5-1988 or JIS 10 K in stainless steel

DN	P	A	Stand.	L	Z	D2	D1	D
15	34.5	130	EN	23.5	4x14.0	45.0	65.0	95.0
		130	ANSI					
		152	JIS					
20	32.0	150	EN	28.5	4x14.0	58.0	75.0	105.0
		150	ANSI					
		178	JIS					
25	32.2	160	EN	28.5	4x14.0	68.0	85.0	115.0
		160	ANSI					
		216	JIS					
32	35.8	180	EN	31.0	4x18.0	78.0	100.0	140.0
		180	ANSI					
		229	JIS					
40	39.6	200	EN	36.0	4x18.0	88.0	110.0	150.0
		200	ANSI					
		241	JIS					
50	45.7	230	EN	41.0	4x18.0	102.0	125.0	165.0
		230	ANSI					
		267	JIS					

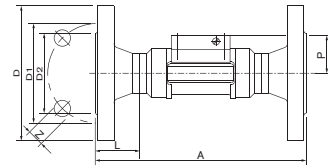


Table 7: Dimensions of true-union fittings according to DIN 8063, ASTM D 1785/76 or JIS K in PVC, DIN 16962 in PP or ISO 10931 in PVDF

DN [mm]	P [mm]	A [mm]	Standard	A1 [mm]	A2 [mm]	D [mm]	D1 [mm]
08*	29,5	122,0	DIN / ISO	92	90	12,00	-
		-	ASTM				
		-	JIS				
15	34,5	128,0	DIN / ISO	96	90	20,00	43
		130,0	ASTM				
		129,0	JIS				
20	32,0	144,0	DIN / ISO	106	100	25,00	53
		145,6	ASTM				
		145,0	JIS				
25	32,2	160,0	DIN / ISO	116	110	32,00	60
		161,4	ASTM				
		161,0	JIS				
32	35,8	168,0	DIN / ISO	116	110	40,00	74
		170,0	ASTM				
		169,0	JIS				
40	39,6	188,0	DIN / ISO	127	120	50,00	83
		190,2	ASTM				
		190,0	JIS				
50	45,7	212,0	DIN / ISO	136	130	63,00	103
		213,6	ASTM				
		213,0	JIS				

*only available in PVC

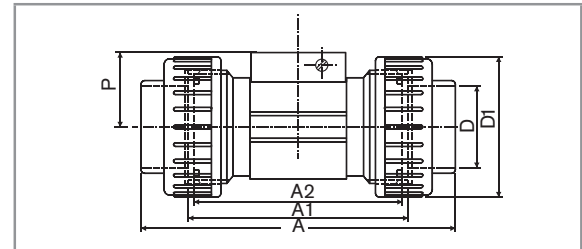
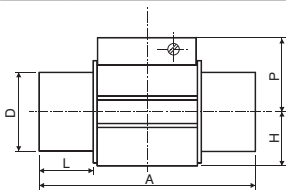


Table 8: Dimensions of spigot fittings according to DIN 8063 in PVC, DIN 16962 in PP or ISO 10931 in PVDF

DN [mm]	P [mm]	A [mm]	Standard	L [mm]	D [mm]	H [mm]
15	34,5	90	DIN 8063	16,5	20	17,5
		85	DIN 16962			
		85	ISO 10931			
20	32,0	100	DIN 8063	20,0	25	17,5
		92	DIN 16962			
		92	ISO 10931			
25	32,2	110	DIN 8063	23,0	32	21,5
		95	DIN 16962			
		95	ISO 10931			
32	35,8	110	DIN 8063	27,5	40	27,5
		100	DIN 16962			
		100	ISO 10931			

DN [mm]	P [mm]	A [mm]	Standard	L [mm]	D [mm]	H [mm]
40	39,6	120	DIN 8063	30,0	50	31,5
		106	DIN 16962	23,0		
		106	ISO 10931	23,0		
50	45,7	130	DIN 8063	37,0	63	39,5
		110	DIN 16962	27,0		
		110	ISO 10931	27,0		



K factors (in imp/l)

The K factors have all been determined under the following terms of reference: fluid = water, water and room temperatures of 20°C, minimum upstream and downstream distances respected, appropriate pipe dimensions.



If the S030 fitting is combined with an electronic device which does not automatically convert the k factors, make the conversion using one of the following formulae:

K factor in imp/gallon US = K factor in imp/l x

3,785 to obtain flow rate in gallon US / time unit

K factor in imp/gallon UK = K factor in imp/l x

4,546 to obtain flow rate in gallon UK / time unit

Material	Connection type and standards	K factor
		DN6
stainless steel	Weld-ends	
	▪ acc. to SMS 3008	-
	▪ acc. to BS 4825 / ASME BPE	-
	▪ acc. to DIN 11850 series 2	-
	▪ acc. to EN ISO 1127 / ISO 4200	-
	External thread	
	▪ acc. to SMS 1145	-
	▪ acc. to G	440
	Internal thread	
	▪ G, Rc, NPT	-
	Clamp	
	▪ acc. to SMS 3017 / ISO 2852	-
	▪ acc. to BS 4825 / ASME BPE	-
	▪ acc. to DIN 32676	-
	▪ acc. to ISO (for piping acc. to EN ISO 1127 / ISO 4200)	-

K factor (imp/l)							
DN8	DN15	DN20	DN25	DN32	DN40	DN50	DN65
-	-	-	66.85	-	31.08	19.92	11.36
-	-	105.7	66.85	49.03	31.08	19.92	11.36
278	105.7	105.7	66.85	49.03	31.08	19.92	-
-	105.7	66.48	49.03	31.82	19.84	11.36	-
-	-	-	66.85	-	31.08	19.92	-
278	105.7	66.48	49.03	31.82	19.84	11.36	-
-	105.7	66.48	49.03	31.82	19.84	11.36	-
-	-	-	66.85	-	31.08	19.92	11.36
-	-	105.7	66.85	-	31.08	19.92	11.36
278	105.7	105.7	66.85	-	31.08	19.92	-
-	105.7	66.48	49.03	31.82	19.84	11.36	-

Material	Connection type and standards	K factor
		DN6
stainless steel	Flange	
	▪ acc. to EN1092-1 (ISO PN16)	-
	▪ acc. to ANSI B16-5-1998	
	▪ acc. to JIS 10K	
Brass	All	440
PVC	All	440
PP	All	-
PVDF	All	440

K factor (imp/l)							
DN8	DN15	DN20	DN25	DN32	DN40	DN50	DN65
-	105.7	66.48	49.03	31.82	19.84	11.36	-
278	105.7	66.48	49.03	31.82	19.84	11.36	-
278	115.8	75.25	52.91	28.47	17.29	10.20	-
-	110.2	74.18	52.86	28.44	17.41	10.06	-
278	118.4	78.01	57.03	31.65	18.97	10.86	-

7. INSTALLATION

Safety instructions

DANGER

Risk of injury due to high pressure in the installation.

- Stop the circulation of fluid and release the pressure before loosening the process connections.

Risk of injury due to high fluid temperatures.

- Use safety gloves to handle the fitting.
- Stop the circulation of fluid before loosening the process connections.

Risk of injury due to the nature of the fluid.

- Respect the prevailing regulations on accident prevention and safety relating to the use of hazardous products.

WARNING

Risk of injury if the temperature/fluid pressure dependency is not respected.

- Take account of the fluid temperatures/pressures dependency according to the nature of the materials from which the fitting is made and that of the measuring device used (see the relevant user manual).
- Conform to the Pressure Directive 97/23/EC.

WARNING

Risk of injury due to non-conforming installation.

- Fluidic installation can only be carried out by qualified and authorised personnel with the appropriate tools.
- Observe the installation instructions for the measuring device inserted into the fitting.

Risk of injury due to an uncontrolled restart.

- Ensure that the restart of the installation is controlled after any interventions on it.

Installation onto the pipe

DANGER

Risk of injury due to high pressure in the installation.

- Stop the circulation of fluid and release the pressure before loosening the process connections.

Risk of injury due to high fluid temperatures.

- Use safety gloves to handle the fitting.
- Stop the circulation of fluid before loosening the process connections.

Risk of injury due to the nature of the fluid.

- Respect the prevailing regulations on accident prevention and safety relating to the use of aggressive fluids.

→ Select an appropriate fitting regarding to the flow velocity and the flow rate of the fluid in the piping, see the following charts:

These charts make it possible to determine the DN pipe and the appropriate fitting to use, according to fluid velocity and flow rate.

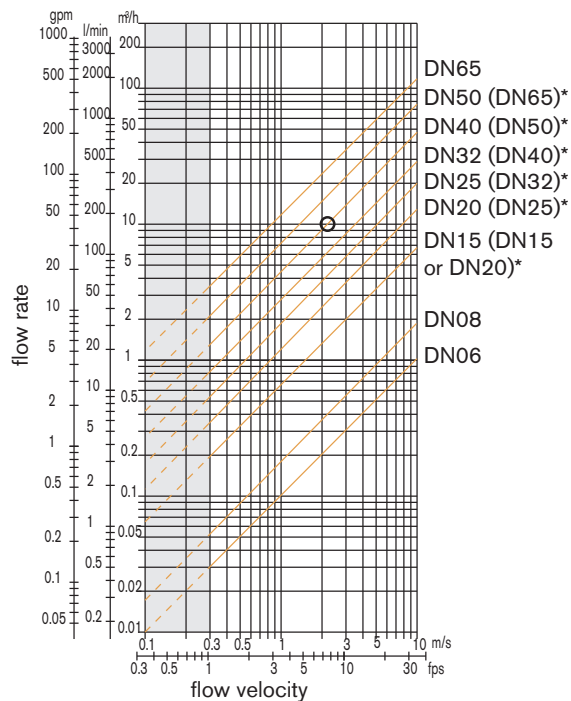
Example :

- Specification: if the nominal flow is $10\text{m}^3/\text{h}$, the dimensioning of the optimal flow rate must be contained in 2 to 3m/s

- Answer: on the chart, the intersection of flow rate and flow velocity gives the appropriate diameter, DN40 or DN50 for fittings with *.

* For fittings :

- with external thread connections according to SMS 1145
- with weld end connections according to SMS 3008, BS 4825 / ASME BPE or DIN 11850 Series 2
- with Clamp according to SMS 3017 / ISO 2852 or BS 4825 / ASME BPE or DIN 32676



→ Install the fitting on the pipe as shown in Fig. 3 to conform to the upstream and downstream distances defined by standard EN ISO 5167-1:

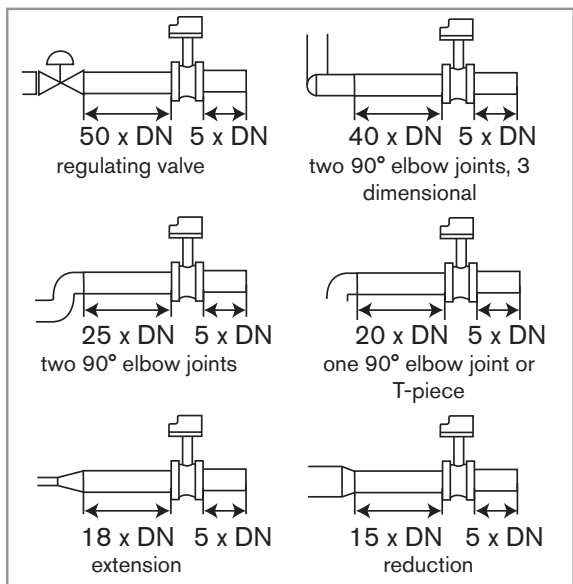


Fig. 3: Upstream and downstream distances depending on the design of the pipes.

→ To measure the flow rate, use a flow conditioner, if necessary, to obtain the best accuracy.
 → Respect the following additional installation conditions to ensure that the measuring device operates correctly (Fig. 4 and Fig. 5):

- prevent the formation of air bubbles in the pipe
- ensure the pipe is always filled with liquid.

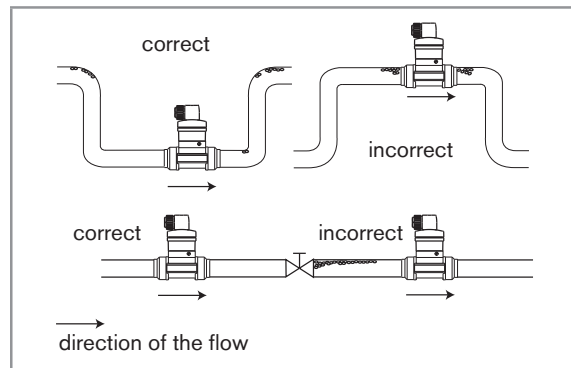


Fig. 4: Additional recommendations on installation

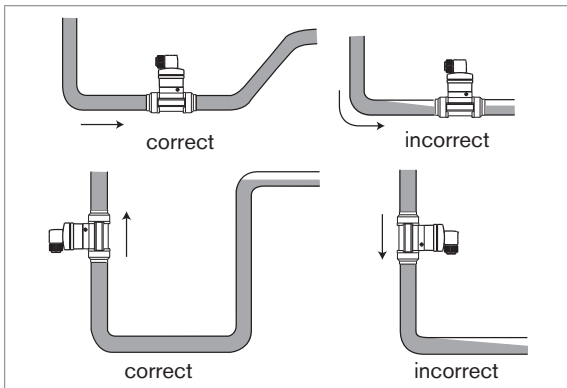


Fig. 5: Additional recommendations on installation

Installing a weld-end fitting



Follow the previously described general installation recommendations.

36

english

Installing a fitting with flange



→ Make sure the seals are in good condition.
→ Place seals adapted to the process in the groove of each end.

→ Tighten the flange to fix the fitting to the pipe.



Make sure the seal remains in the groove while tightening the flange.

8. COMMISSIONING



WARNING

Danger due to non-conforming commissioning.

Non conforming commissioning may lead to injuries and damage the fitting and its surroundings.

- Before commissioning, make sure that the staff in charge have read and fully understood the contents of the manual.
- In particular, observe the safety recommendations and intended use.
- The installation must only be commissioned by suitably trained staff.

38

english

NOTE

The seal on the fitting with weld-end connections may be damaged during welding.

- Before welding the weld-ends, unscrew the 4 tightening screws.
- Remove the sensor holder from the fitting.
- Remove the seal.
- Weld the weld-ends.
- After welding, correctly replace the seal in the groove.
- Replace the sensor holder on the fitting.
- Tighten the 4 screws in an alternating pattern, applying a nominal tightening torque of 1,5 Nm.

Installing a fitting with Clamp connections



→ Make sure the seals are in good condition.
→ Place seals adapted to the process in the grooves of the Clamp fitting.

→ Fix the Clamp fitting to the pipe by means of a clamp collar.

english

37

9. MAINTENANCE

Safety instructions



DANGER

Risk of injury due to high pressure in the installation.

- Stop the circulation of fluid and release the pressure before loosening the process connections.

Risk of injury due to high fluid temperatures.

- Use safety gloves to handle the fitting.
- Stop the circulation of fluid and bleed the pipe before loosening the process connections.
- Keep all easily flammable fluid and material away from the fitting.

Risk of injury due to the nature of the fluid.

- Respect the prevailing regulations on accident prevention and safety relating to the use of aggressive fluids.



WARNING

Risk of injury due to non-conforming maintenance.

- Maintenance must only be carried out by qualified and skilled staff with the appropriate tools.
- Ensure that the restart of the installation is controlled after any interventions.

english

39

Maintenance and cleaning

NOTE

The fitting may be damaged by the cleaning product.

- Clean the fitting with a cloth dampened with water or a product compatible with the materials from which it is made.

10. SPARE PARTS, ACCESSORIES



CAUTION

Risk of injury and/or damage caused by the use of unsuitable parts.

Incorrect accessories and unsuitable replacement parts may cause injuries and damage the fitting and the surrounding area.

- Use only original accessories and original replacement parts from Bürkert.

Accessory	Order code
Certificate 3.1	440790
Certificate 2.2	440789
Rugosity certificate	444898
Calibration certificate	550676
FDA approval	449788

Spare part	Order code
Sensor holder in PVC	
With paddle-wheel in PVDF, O-ring in FKM, screws and certificate for DN06 and DN08.	448 674
With paddle-wheel in PVDF, O-ring in FKM, screws and certificate for DN15 up to DN65.	432 298
With paddle-wheel in PVDF, O-ring in EPDM, screws and certificate for DN15 up to DN65.	432 297
With paddle-wheel in PP, O-ring in EPDM, screws and certificate for DN15 up to DN65.	443 982
Sensor holder in PP	
With paddle-wheel in PVDF, O-ring in FKM, screws and certificate for DN15 up to DN65.	432 300
With paddle-wheel in PVDF, O-ring in EPDM, screws and certificate for DN15 up to DN65.	432 299
With paddle-wheel in PP, O-ring in FKM, screws and certificate for DN15 up to DN65.	552 881
With paddle-wheel in PP, O-ring in EPDM, screws and certificate for DN15 up to DN65.	443 983
Sensor holder in PVDF	
With paddle-wheel in PVDF, O-ring in FKM, screws and certificate for DN06 and DN08.	448 676
With paddle-wheel in PVDF, O-ring in FKM, screws and certificate for DN15 up to DN65.	432 302

Spare part	Order code
Sensor holder in stainless steel	
With paddle-wheel in PVDF, O-ring in FKM, screws and certificate, for DN06 and DN08.	448 678
With paddle-wheel in PVDF, O-ring in FKM, screws and certificate, for DN15 up to DN65.	432 306
With paddle-wheel in PVDF, O-ring in EPDM, screws and certificate, for DN15 up to DN65.	432 305
With paddle-wheel in PVDF, O-ring in EPDM, screws and certificate, int. rugosity = 0,8 µm for DN15 up to DN65.	434 149
With paddle-wheel in PP, O-ring in EPDM, screws and certificate for DN06 and DN08.	554 896
With paddle-wheel in PP, O-ring in EPDM, screws and certificate for DN15 up to DN65.	449 425
Sensor holder in brass	
With paddle-wheel in PVDF, O-ring in FKM, screws and certificate for DN06 and DN08.	448 677
With paddle-wheel in PVDF, O-ring in FKM, screws and certificate for DN15 up to DN65.	432 304
With paddle-wheel in PVDF, O-ring in EPDM, screws and certificate for DN15 up to DN65.	432 303
With paddle-wheel in PP, O-ring in EPDM, screws and certificate for DN15 up to DN65.	449 866

Spare part	Order code
With paddle-wheel in PVDF, O-ring in EPDM, screws and certificate for DN15 up to DN65.	432 301
Set of O-rings (DN6 to DN65) for metal fittings	
FKM	426 340
EPDM	426 341
Set of O-rings in FKM for plastic fittings	
DN08	448 679
DN15	431 555
DN20	431 556
DN25	431 557
DN32	431 558
DN40	431 559
DN50	431 560
Set of O-rings in EPDM for plastic fittings	
DN08	448 680
DN15	431 561
DN20	431 562
DN25	431 563
DN32	431 564
DN40	431 565
DN50	431 566

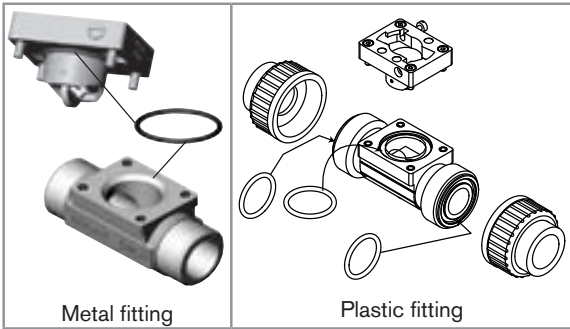


Fig. 6: Position of O-ring in an S030 fitting

11. PACKAGING, TRANSPORT

CAUTION

Damage due to transport

Transport may damage an insufficiently protected part.

- Transport the fitting in shock-resistant packaging and away from humidity and dirt.
- Do not expose the fitting to temperatures that may exceed the admissible storage temperature range.

12. STORAGE

CAUTION

Poor storage may damage the fitting.

- Store the fitting in a dry place away from dust.
- Storage temperature: depends on paddle-wheel and body fitting materials (see following table).

Paddle-wheel material	Body fitting material	Storage temperature
PP	▪ Stainless steel	-15°C...+80°C
	▪ Brass	
	▪ PVDF	
	▪ PP	
PVDF	▪ PVC	-15°C...+60°C
	▪ Stainless steel	-15°C...+100°C
	▪ Brass	
	▪ PVDF	
▪ PP		
	▪ PVC	-15°C...+60°C

13. DISPOSAL OF THE PRODUCT

→ Dispose of the fitting and its packaging in an environmentally-friendly way.

CAUTION

Damage to the environment caused by products contaminated by fluids.

- Keep to the existing provisions on the subject of waste disposal and environmental protection.



Note:

Comply with the national and/or local regulations which concern the area of waste disposal.

Typ S030

INLINE Fitting



Bedienungsanleitung

Deutsch

48

english

1. DIE BETRIEBSANLEITUNG	3
2. BESTIMMUNGSGEMÄSSE VERWENDUNG.....	5
3. GRUNDLEGENDE SICHERHEITSHINWEISE.....	6
4. ALLGEMEINE HINWEISE.....	9
5. BESCHREIBUNG.....	10
6. TECHNISCHE DATEN	10
7. INSTALLATION.....	29
8. INBETRIEBNAHME.....	38
9. WARTUNG.....	39
10. ERSATZTEILE, ZUBEHÖR	40
11. VERPACKUNG, TRANSPORT.....	45
12. LAGERUNG.....	46
13. ENTSORGUNG	47

2

deutsch

1. DIE BETRIEBSANLEITUNG

Die Bedienungsanleitung beschreibt den gesamten Lebenszyklus des Fittings. Bewahren Sie diese Anleitung so auf, dass sie für jeden Benutzer zugänglich ist und jedem neuen Eigentümer des Fittings wieder zur Verfügung steht.

Die Bedienungsanleitung enthält wichtige Informationen zur Sicherheit!

Das Nichtbeachten dieser Hinweise kann zu gefährlichen Situationen führen.

- Die Bedienungsanleitung muss gelesen und verstanden werden.

Darstellungsmittel

GEFAHR!

Warnt vor einer unmittelbaren Gefahr.

- Bei Nichteinhaltung drohen Tod oder schwere Verletzungen.

WARNUNG!

Warnt vor einer eventuellen Gefahrensituation.

- Bei Nichteinhaltung drohen schwere Verletzungen oder Tod.

deutsch

3

**VORSICHT!****Warnt vor einer möglichen Gefährdung!**

- Nichtbeachtung kann mittelschwere oder leichte Verletzungen zur Folge haben.

HINWEIS**Warnt vor Sachschäden!**

- Bei Nichtbeachtung kann das Fitting oder die Anlage beschädigt werden.



Tipps oder Empfehlungen, die für Ihre Sicherheit und die einwandfreie Funktion des Fittings wichtig sind.

→ markiert einen Arbeitsschritt, den Sie ausführen müssen.

4

deutsch

Vorhersehbarer Fehlgebrauch

- Die Fittings in PVC oder PP nicht in einer explosionsfähigen Atmosphäre verwenden.
- Dieses Fitting nicht zur Messung eines Gasdurchflusses verwenden.
- Es darf keine Flüssigkeit verwendet werden, die sich nicht mit den Materialien verträgt, aus denen das Fitting besteht.
- Dieses Fitting nicht in einer Umgebung verwenden, die mit den Materialien, aus denen es besteht, inkompatibel ist.
- Belasten Sie das Fitting nicht mechanisch (z. B. durch Ablage von Gegenständen oder als Trittstufe).
- Nehmen Sie keine äußerlichen Veränderungen am Gerätegehäuse vor. Das Fitting darf an keiner Stelle mit einem Anstrich versehen werden.

3. GRUNDLEGENDE SICHERHEITSHINWEISE

Diese Sicherheitshinweise berücksichtigen keine:

- Zufälligkeiten und Ereignisse, die bei Montage, Betrieb und Wartung der Geräte auftreten können.
- ortsbezogenen Sicherheitsbestimmungen, für deren Einhaltung, auch in Bezug auf das Montagepersonal, der Betreiber verantwortlich ist.

6

deutsch

2. BESTIMMUNGSGEMÄSSE VERWENDUNG**Bei nicht bestimmungsgemäßem Einsatz des Inline-Fittings können Gefahren für Personen, Anlagen in der Umgebung und die Umwelt entstehen.**

- Mit dem Fitting S030 kann aufgrund des integrierten Flügelrads der Durchfluss gemessen werden. Das Fitting S030 kann mit Elektronikmodulen zur Anzeige, Überwachung und Kontrolle oder mit Transmittern verbunden werden, die mit einem Bajonett-Anschlussystem ausgestattet sind.
- Für den Einsatz sind die in den Vertragsdokumenten und dieser Bedienungsanleitung und in der Bedienungsanleitung des eingesteckten Geräts spezifizierten zulässigen Daten, Betriebs- und Einsatzbedingungen zu beachten.
- Zum sicheren und problemlosen Einsatz des Fittings müssen Transport, Lagerung und Installation ordnungsgemäß erfolgen, außerdem müssen Betrieb und Wartung sorgfältig durchgeführt werden.
- Achten Sie immer darauf, dieses Fitting auf ordnungsgemäße Weise zu verwenden.

Beschränkungen

Beachten Sie bei der Ausfuhr des Fittings gegebenenfalls bestehende Beschränkungen.

deutsch

5

**Gefahr durch hohen Druck in der Anlage!****Gefahr durch hohe Flüssigkeitstemperaturen!****Gefahr aufgrund der Art der Flüssigkeit!****Verschiedene Gefahrensituationen!**

Um jegliche Verletzung zu vermeiden, achten Sie darauf:

- dass die Anlage nicht unbeabsichtigt betätigt werden kann.
- dass die Installations- und Wartungsarbeiten durch qualifiziertes und zugelassenes Personal, das über geeignetes Werkzeug verfügt, durchgeführt werden.
- nach einer Unterbrechung der elektrischen Versorgung ist ein definierter oder kontrollierter Wiederanlauf des Prozesses zu gewährleisten.
- betreiben Sie das Fitting nur in einwandfreiem Zustand und unter Beachtung der Bedienungsanleitung.
- für die Einsatzplanung und den Betrieb des Fittings gelten die allgemeinen Regeln der Technik!

deutsch

7

! Das Fitting S030 wurde unter Einbeziehung der anerkannten sicherheitstechnischen Regeln entwickelt und entspricht dem Stand der Technik. Trotzdem können Gefahren entstehen.

Bei Nichtbeachtung dieser Hinweise sowie bei unzulässigen Eingriffen in das Gerät entfällt jegliche Haftung unsererseits, ebenso erlischt die Garantie auf das Gerät.

ANMERKUNG

Chemische Verträglichkeit der Materialien, die mit der Flüssigkeit in Berührung kommen.

- Kontrollieren Sie systematisch die chemische Verträglichkeit der Materialien, aus denen das Fitting besteht, und der Produkte, die mit diesem in Berührung kommen können (zum Beispiel: Alkohole, starke oder konzentrierte Säuren, Aldehyde, Basen, Ester, aliphatische Verbindungen, Ketone, aromatische oder halogenierte Kohlenwasserstoffe, Oxidations- und chlorhaltige Mittel).

! Das Fitting Typ S030 wurde unter Einbeziehung der anerkannten sicherheitstechnischen Regeln entwickelt und entspricht dem Stand der Technik.

5. BESCHREIBUNG

Vorgesehener Einsatzbereich

Mit dem Fitting S030 kann aufgrund des integrierten Flügelrads der Durchfluss in Rohrleitungen mit DN6 bis DN65 gemessen werden. Es muss in Verbindung mit einem Elektronikmodul zur Erfassung/Konvertierung der durch die Rotation des Flügelrads erzeugten Impulsfrequenz verwendet werden (Anzeige, Kontrollgerät oder Transmitter).

Das Elektronikmodul kann ohne Öffnung der Rohrleitung oder Unterbrechung des Prozesses ersetzt werden.

Messprinzip

Die in der Rohrleitung strömende Flüssigkeit führt zur Drehung des Flügelrads. Die Rotationsfrequenz f dieses Flügelrads ist proportional zum Durchfluss.

6. TECHNISCHE DATEN

Betriebsbedingungen

! Die Temperatur und der Druck der Flüssigkeit können durch das verwendete Elektronikmodul eingeschränkt sein, siehe die entsprechende Bedienungsanleitung.

Umgebungstemperatur (im Betrieb)	je nach verwendetem Elektronikmodul; siehe jeweilige Bedienungsanleitung
----------------------------------	--

Bei Nichtbeachtung dieser Hinweise und unzulässigen Eingriffen in das Fitting entfällt jegliche Haftung unsererseits, ebenso erlischt die Garantie auf das Fitting und Zubehörteile!

4. ALLGEMEINE HINWEISE

Die Kontaktadressen finden Sie auf den letzten Seiten dieser Bedienungsanleitung.

Außerdem im Internet unter:

www.burkert.com

Gewährleistung

Voraussetzung für die gesetzliche Garantie ist der bestimmungsgemäße Gebrauch des S030 unter Beachtung der im vorliegenden Handbuch spezifizierten Einsatzbedingungen.

Informationen im Internet

Bedienungsanleitungen und Datenblätter zum Typ S030 finden Sie im Internet unter:

www.buerkert.de

Druckklasse	<ul style="list-style-type: none"> ▪ PN16 (oder PN40 auf Anforderung) für die Fittings aus Metall ▪ PN10 für die Fittings aus Kunststoff, je nach Temperatur der Flüssigkeit, siehe <i>Bild 1</i>.
-------------	--

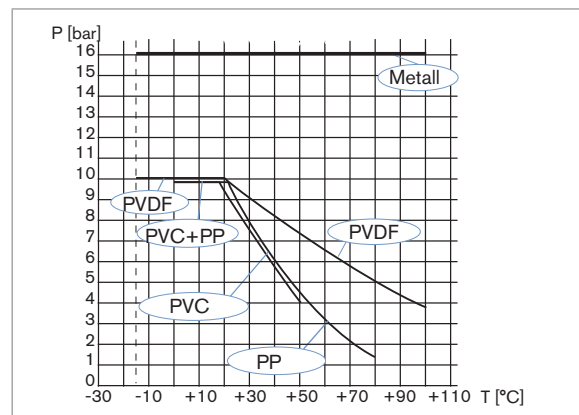


Bild 1: Kurve der Temperatur-Druck-Abhängigkeit des Fittings S030 allein

Flüssigkeitstemperatur	je nach Werkstoffe des Flügelrads und des Gehäuses des Fittings; siehe nächste Tabelle.
------------------------	---

Flügelrad-Werkstoff	Werkstoff des Fittinggehäuses	Flüssigkeitstemperatur	
PP	▪ Edelstahl	+0°C...+80°C	
	▪ Messing		
	▪ PVDF		
	▪ PP		
	▪ PVC		
PVDF	▪ Edelstahl	-15°C...+100°C	
	▪ Messing		
	▪ PVDF		
	▪ PP		+0°C...+80°C
	▪ PVC		+0°C...+50°C

Einhaltung der Druckgeräterichtlinie

Das Fitting S030 entspricht den Anforderungen von Artikel 3§3 der Druckgeräterichtlinie 97/23/EG.

Gemäß der Druckgeräterichtlinie 97/23/EG darf das Produkt (in Abhängigkeit vom Höchstdruck, dem DN der Leitung und der Art der Flüssigkeit) nur in den folgenden Fällen verwendet werden:

Art der Flüssigkeit	Bedingungen
Flüssigkeitsgruppe 1 § 1.3.a	nur DN ≤ 25

Durchflussmessbereich in der Rohrleitung	0,3 bis 10 m/s
Linearität	≤ ± 0.5% vom Messbereichende (10 m/s)*
Wiederholbarkeit	± 0.4% des Messwertes*

* unter den folgenden Bedingungen: Flüssigkeit = Wasser, Wasser- und Umgebungstemperatur von 20 °C, Berücksichtigung der Mindestein- und -auslaufstrecken, angepasste Rohrleitungsabmessungen.

Verfügbare Durchmesser

Die verfügbaren Durchmesser hängen von der Finition des Fittings S030 ab.

Innengewinde	DN15 bis DN50
Außengewinde: G, NPT oder Rc aus Edelstahl oder Messing	DN06 bis DN50
Außengewinde: gemäß SMS 1145, aus Edelstahl	DN25 bis DN50
Edelstahl-Schweißstutzen	DN08 bis DN65
Clamp	DN08 bis DN65
Flansche	DN15 bis DN50
Schweißverbinder	DN08 bis DN50
Klebe- oder Schweißverbinder aus PVC, PP oder PVDF	DN15 bis DN50

Art der Flüssigkeit	Bedingungen
Flüssigkeitsgruppe 2 § 1.3.a	DN ≤ 32 oder DN > 32 und PNxDN ≤ 1000
Flüssigkeitsgruppe 1 § 1.3.b	PNxDN ≤ 2000
Flüssigkeitsgruppe 2 § 1.3.b	DN ≤ 200

Verfügbare Zertifikate

- Zertifikat 3.1
- Zertifikat 2.2
- Zertifikat über die Rauigkeit
- Zertifikat über die Kalibrierung
- FDA-Zulassung (mit EPDM-Dichtung), nur S030 aus Edelstahl

Allgemeine technische Daten

Max. Viskosität der Flüssigkeit	300 cSt
Art der Flüssigkeit	Sauber, neutrale oder leicht aggressive Flüssigkeit
Feststoffpartikelkonzentration der Flüssigkeit	max. 1%
Max. Partikelgröße	0,5 mm

Werkstoffe

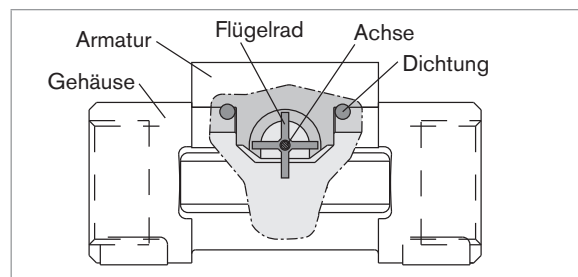


Bild 2: Querschnitt eines Fittings S030

Element	Werkstoff
Dichtung	FKM EPDM mit FDA-Zulassung auf Anforderung
Flügelrad	PVDF PP auf Anfrage
Schrauben	Edelstahl (316L - 1.4404)
Gehäuse	Edelstahl (316L - 1.4435) Messing (CuZn39Pb2) PVC, PP, PVDF
Axe und Lager	Keramik (Al ₂ O ₃)

Tabelle 1: Abmessungen der Fittings mit G-, Rc- oder NPT-Innengewinde-Anschlüssen aus Edelstahl oder Messing

DN [mm]	P [mm]	A [mm]	D [Zoll]	L [mm]
15	34,5	84,0	G 1/2 NPT 1/2 Rc 1/2	16,0 17,0 15,0
20	32,0	94,0	G 3/4 NPT 3/4 Rc 3/4	17,0 18,3 16,3
25	32,2	104,0	G 1 NPT 1 Rc 1	23,5 18,0 18,0
32	35,8	119,0	G 1 1/4 NPT 1 1/4 Rc 1 1/4	23,5 21,0 21,0
40	39,6	129,0	G 1 1/2 NPT 1 1/2 Rc 1 1/2	23,5 20,0 19,0
50	45,7	148,5	G 2 NPT 2 Rc 2	27,5 24,0 24,0

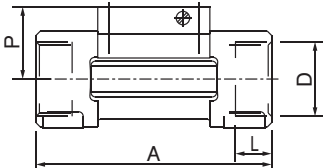
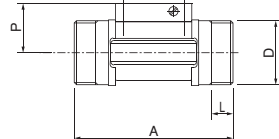


Tabelle 2: Abmessungen der Fittings mit G-, Rc- oder NPT-Außengewinde-Anschlüssen aus Edelstahl, Messing, PVC oder PVDF

DN [mm]	P [mm]	A [mm]	D [Zoll]	D [mm]	L [mm]
06	29,5	90,0	G 1/4 oder 1/2	-	14,0
08	29,5	90,0	1/2*	M 16 x 1,5	14,0
15	34,5	84,0	G 3/4	-	11,5
20	32,0	94,0	G 1	-	13,5
25	32,2	104,0	G 1 1/4	-	14,0
32	35,8	119,0	G 1 1/2	-	18,0
40	39,6	129,0	-	M 55 x 2	19,0
50	45,7	148,5	-	M 64 x 2	20,0



* G, NPT oder Rc je nach Fitting-Ausführung

Tabelle 3: Abmessungen der Fittings mit Außengewinde-Anschlüssen nach SMS 1145 aus Edelstahl

DN [mm]	P [mm]	A [mm]	D
25	32,0	130	Rd 40 x 1/6"
40	35,8	164	Rd 60 x 1/6"
50	39,6	173	Rd 70 x 1/6"

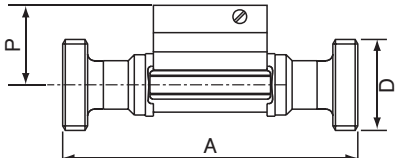


Tabelle 4: Abmessungen der Fittings mit Schweißanschlüssen gemäß EN ISO 1127/ISO 4200, SMS 3008, BS 4825/ASME BPE und DIN 11850 Reihe 2, aus Edelstahl

DN [mm]	P [mm]	A [mm]	Norm	D [mm]	s [mm]
08	-	-	EN ISO 1127 / ISO 4200	-	-
	-	-	SMS 3008	-	-
	-	-	ASME BPE	-	-
	29,5	90,0	DIN 11850 Reihe 2	13,00	1,50

DN [mm]	P [mm]	A [mm]	Norm	D [mm]	s [mm]
15	34,5	84,0	EN ISO 1127 / ISO 4200	21,30	1,60
	-	-	SMS 3008	-	-
	-	-	ASME BPE	-	-
	34,5	84,0	DIN 11850 Reihe 2	19,0	1,50
20	32,0	94,0	EN ISO 1127 / ISO 4200	26,9	1,60
	-	-	SMS 3008	-	-
	34,5	84,0	ASME BPE	19,05	1,65
	34,5	84,0	DIN 11850 Reihe 2	23,00	1,50
25	32,2	104,0	EN ISO 1127 / ISO 4200	33,70	2,00
	32,0	94,0	SMS 3008	25,00	1,20
	32,0	94,0	ASME BPE	25,40	1,65
	32,0	94,00	DIN 11850 Reihe 2	29,00	1,50
32	35,8	119,0	EN ISO 1127 / ISO 4200	42,40	2,00
	-	-	SMS 3008	-	-
	32,2	104,0	ASME BPE	32,00	1,65
	32,2	104,0	DIN 11850 Reihe 2	35,00	1,50
40	39,6	129,0	EN ISO 1127 / ISO 4200	48,30	2,00
	35,8	119,0	SMS 3008	38,00	1,20
	35,8	119,0	ASME BPE	38,10	1,65
	35,8	119,0	DIN 11850 Reihe 2	41,00	1,50
50	45,7	148,5	EN ISO 1127 / ISO 4200	60,30	2,60
	39,6	128,0	SMS 3008	51,00	1,20
	39,6	128,0	ASME BPE	50,80	1,65
	39,6	128,0	DIN 11850 Reihe 2	53,00	1,50
65	-	-	EN ISO 1127 / ISO 4200	-	-
	45,7	147,0	SMS 3008	63,50	1,60
	45,7	147,0	ASME BPE	63,50	1,65
	-	-	DIN 11850 Reihe 2	-	-

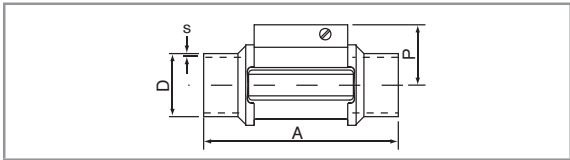
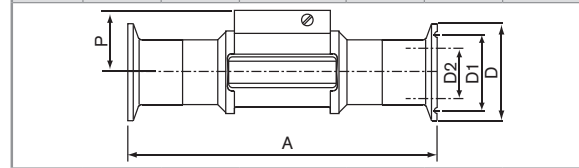


Tabelle 5: Abmessungen der Clamp-Fittings aus Edelstahl gemäß
 a) ISO (für Rohrleitungen gemäß EN ISO 1127/ ISO 4200),
 b) SMS 3017 / ISO 2852*,
 c) BS 4825/ASME BPE* oder
 d) DIN 32676)

DN [mm]	P [mm]	A [mm]	Norm	D2 [mm]	D1 [mm]	D [mm]
08	-	-	a	-	-	-
	-	-	b	-	-	-
	-	-	c	-	-	-
	29,5	125	d	10,0	27,5	34,0
15	34,5	130	a	18,10	27,5	34,0
	-	-	b	-	-	-
	-	-	c	-	-	-
	29,5	119	d	16,00	27,5	34,0
20	32,0	150	a	23,70	43,5	50,5
	-	-	b	-	-	-
	34,5	119	c	15,75	19,6	25,0
	34,5	119	d	20,00	27,5	34,0

DN [mm]	P [mm]	A [mm]	Norm	D2 [mm]	D1 [mm]	D [mm]
25	32,2	160	a	29,70	43,5	50,5
	32,0	129	b	22,60	43,5	50,5
	32,0	129	c	22,10	43,5	50,5
	32,0	136	d	26,00	43,5	50,5
32	35,8	180	a	38,40	43,5	50,5
	-	-	b	-	-	-
	-	-	c	-	-	-
	-	-	d	-	-	-
40	39,6	200	a	44,30	56,5	64,0
	35,8	161	b	35,60	43,5	50,5
	35,8	161	c	34,80	43,5	50,5
	35,8	161	d	38,00	43,5	50,5
50	45,7	230	a	55,10	70,5	77,5
	39,6	192	b	48,60	56,5	64,0
	39,6	192	c	47,50	56,5	64,0
	39,6	170	d	50,00	56,5	64,0
65	-	-	a	-	-	-
	45,7	216	b	60,30	70,5	77,5
	45,7	216	c	60,20	70,5	77,5
	-	-	d	-	-	-



*Verfügbar mit Innenrauigkeit Ra = 0,8 µm

Tabelle 6: Abmessungen in mm der Fittings mit Flanschanschlüssen gemäß EN1092-1 (ISO PN16), ANSI B16-5-1988 oder JIS 10 K aus Edelstahl

DN	P	A	Norm	L	Z	D2	D1	D
15	34.5	130	EN	23.5	4x14.0	45.0	65.0	95.0
		130	ANSI		4x15.8	34.9	60.3	89.0
		152	JIS		4x15.0	51.0	70.0	95.0
20	32.0	150	EN	28.5	4x14.0	58.0	75.0	105.0
		150	ANSI		4x15.8	42.9	69.8	99.0
		178	JIS		4x15.0	56.0	75.0	100.0
25	32.2	160	EN	28.5	4x14.0	68.0	85.0	115.0
		160	ANSI		4x15.8	50.8	79.4	108.0
		216	JIS		4x19.0	67.0	90.0	125.0
32	35.8	180	EN	31.0	4x18.0	78.0	100.0	140.0
		180	ANSI		4x15.8	63.5	88.9	117.0
		229	JIS		4x19.0	76.0	100.0	135.0
40	39.6	200	EN	36.0	4x18.0	88.0	110.0	150.0
		200	ANSI		4x15.8	73.0	98.4	127.0
		241	JIS		4x19.0	81.0	105.0	140.0
50	45.7	230	EN	41.0	4x18.0	102.0	125.0	165.0
		230	ANSI		4x19.0	92.1	120.6	152.0
		267	JIS		4x19.0	96.0	120.0	155.0

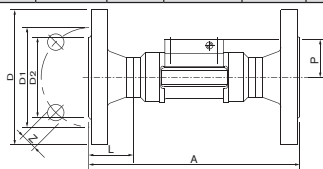


Tabelle 7: Abmessungen der Fittings mit Klebe- oder Schweißverbindern gemäß DIN 8063, ASTM D 1785/76 oder JIS K aus PVC, gemäß DIN 16962 aus PP oder gemäß ISO 10931 aus PVDF

DN [mm]	P [mm]	A [mm]	Norm	A1 [mm]	A2 [mm]	D [mm]	D1 [mm]
08*	29,5	122,0	DIN / ISO	92	90	12,00	-
			ASTM				
			JIS				
15	34,5	128,0	DIN / ISO	96	90	20,00	43
			ASTM				
			JIS				
20	32,0	144,0	DIN / ISO	106	100	25,00	53
			ASTM				
			JIS				
25	32,2	160,0	DIN / ISO	116	110	32,00	60
			ASTM				
			JIS				
32	35,8	168,0	DIN / ISO	116	110	40,00	74
			ASTM				
			JIS				
40	39,6	188,0	DIN / ISO	127	120	50,00	83
			ASTM				
			JIS				
50	45,7	212,0	DIN / ISO	136	130	63,00	103
			ASTM				
			JIS				

*Ausschließlich aus PVC erhältlich

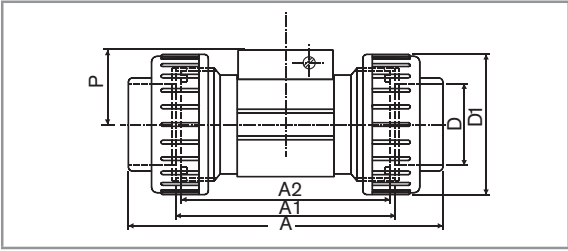
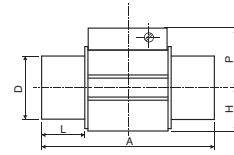


Tabelle 8: Abmessungen der Fittings mit Klebe- oder Schweißanschlüssen gemäß DIN 8063 aus PVC, gemäß DIN 16962 aus PP oder gemäß ISO 10931 aus PVDF

DN [mm]	P [mm]	A [mm]	Norm	L [mm]	D [mm]	H [mm]
15	34,5	90	DIN 8063	16,5	20	17,5
		85	DIN 16962	14,0		
		85	ISO 10931	14,0		
20	32,0	100	DIN 8063	20,0	25	17,5
		92	DIN 16962	16,0		
		92	ISO 10931	16,0		
25	32,2	110	DIN 8063	23,0	32	21,5
		95	DIN 16962	18,0		
		95	ISO 10931	18,0		
32	35,8	110	DIN 8063	27,5	40	27,5
		100	DIN 16962	20,0		
		100	ISO 10931	20,0		

DN [mm]	P [mm]	A [mm]	Norm	L [mm]	D [mm]	H [mm]
40	39,6	120	DIN 8063	30,0	50	31,5
		106	DIN 16962	23,0		
		106	ISO 10931	23,0		
50	45,7	130	DIN 8063	37,0	63	39,5
		110	DIN 16962	27,0		
		110	ISO 10931	27,0		



K-Faktoren (in Imp./l)

Die K-Faktoren wurden alle unter den folgenden Referenzbedingungen bestimmt: Flüssigkeit = Wasser, Wasser- und Umgebungstemperatur von 20 °C, Berücksichtigung der Mindestein- und -auslaufstrecken, angepasste Rohrleitungsabmessungen.

Werkstoff	Typ der Anschlüsse und Norm	K-Faktor
		DN6
Edelstahl	Schweißende	
	▪ nach SMS 3008	-
	▪ nach BS 4825 / ASME BPE	-
	▪ nach DIN 11850 Reihe 2	-
	▪ nach EN ISO 1127 / ISO 4200	-
	Außengewinde	
	▪ nach SMS 1145	-
	▪ G	440
	Innengewinde	
	▪ G, Rc, NPT	-
	Clamp	
	▪ nach SMS 3017 / ISO 2852	-
	▪ nach BS 4825 / ASME BPE	-
	▪ nach DIN 32676	-
	▪ nach ISO (für Rohrleitungen nach EN ISO 1127 / ISO 4200)	-

K-Faktor (imp/l)							
DN8	DN15	DN20	DN25	DN32	DN40	DN50	DN65
-	-	-	66.85	-	31.08	19.92	11.36
-	-	105.7	66.85	49.03	31.08	19.92	11.36
278	105.7	105.7	66.85	49.03	31.08	19.92	-
-	105.7	66.48	49.03	31.82	19.84	11.36	-
-	-	-	66.85	-	31.08	19.92	-
278	105.7	66.48	49.03	31.82	19.84	11.36	-
-	105.7	66.48	49.03	31.82	19.84	11.36	-
-	-	-	66.85	-	31.08	19.92	11.36
-	-	105.7	66.85	-	31.08	19.92	11.36
278	105.7	105.7	66.85	-	31.08	19.92	-
-	105.7	66.48	49.03	31.82	19.84	11.36	-

Werkstoff	Typ der Anschlüsse und Norm	K-Faktor
		DN6
Edelstahl	Mit Flanschen	
	▪ nach EN1092-1 (ISO PN16)	-
	▪ nach ANSI B16-5-1998	
	▪ nach JIS 10K	
Messing	Alle	440
PVC	Alle	440
PP	Alle	-
PVDF	Alle	440



Wenn das Fitting S030 mit einem Elektronikmodul verbunden ist, das die K-Faktoren nicht automatisch umrechnet, die Umrechnung mit einer der folgenden Formeln durchführen:

K-Faktor in Imp./US-Gallone = K-Faktor in Imp./l x 3,785 zur Umrechnung des Durchflusses in US-Gallonen/Zeiteinheit

K-Faktor in Imp./UK-Gallone = K-Faktor in Imp./l x 4,546 zur Umrechnung des Durchflusses in UK-Gallonen/Zeiteinheit

**GEFAHR!****Verletzungsgefahr aufgrund der Art der Flüssigkeit!**

- Beachten Sie die Bestimmungen, die auf dem Gebiet der Unfallverhütung und der Sicherheit in Kraft sind und die sich auf die Verwendung gefährlicher Produkte beziehen.

**WARNUNG!****Verletzungsgefahr durch Nichteinhalten der Temperatur-Druck-Abhängigkeit der Flüssigkeit.**

- Je nach Art der Materialien des Fittings und des verwendeten Messgeräts (s. entsprechende Bedienungsanleitung) die Temperatur-Druck-Abhängigkeit der Flüssigkeit beachten.
- Die Druckgeräterichtlinie 97/23/EG berücksichtigen.

**WARNUNG!****Verletzungsgefahr bei unsachgemäßer Installation!**

- Flüssigkeitsanlagen dürfen nur durch autorisiertes Fachpersonal und mit geeignetem Werkzeug installiert werden!
- Die Installationshinweise des in das Fitting gesteckten Messgeräts beachten.

Verletzungsgefahr durch unkontrollierten Wiederanlauf!

- Nach jedem Eingriff an der Anlage einen kontrollierten Wiederanlauf gewährleisten.

K-Faktor (imp/l)	DN							
	DN8	DN15	DN20	DN25	DN32	DN40	DN50	DN65
-	105.7	66.48	49.03	31.82	19.84	11.36	-	
278	105.7	66.48	49.03	31.82	19.84	11.36	-	
278	115.8	75.25	52.91	28.47	17.29	10.20	-	
-	110.2	74.18	52.86	28.44	17.41	10.06	-	
278	118.4	78.01	57.03	31.65	18.97	10.86	-	

7. INSTALLATION**Sicherheitshinweise****GEFAHR!****Verletzungsgefahr durch hohen Druck in der Anlage!**

- Vor dem Lösen der Prozessanschlüsse die Flüssigkeitszirkulation stoppen und den Druck ablassen.

Verletzungsgefahr durch hohe Flüssigkeitstemperaturen!

- Schutzhandschuhe benützen, um das Fitting anzufassen.
- Vor dem Lösen der Prozessanschlüsse die Flüssigkeitszirkulation stoppen.

Anschluss an die Rohrleitung**GEFAHR!****Verletzungsgefahr durch hohen Druck in der Anlage!**

- Vor dem Lösen der Prozessanschlüsse die Flüssigkeitszirkulation stoppen und den Druck ablassen.

Verletzungsgefahr durch hohe Flüssigkeitstemperaturen!

- Schutzhandschuhe benützen, um das Fitting anzufassen.
- Vor dem Lösen der Prozessanschlüsse die Flüssigkeitszirkulation stoppen.

Verletzungsgefahr aufgrund der Art der Flüssigkeit!

- Beachten Sie die Bestimmungen, die auf dem Gebiet der Unfallverhütung und der Sicherheit in Kraft sind und die sich auf die Verwendung aggressiver Flüssigkeiten beziehen.

→ Ein für die Geschwindigkeit und den Durchfluss der in Ihrer Anlage strömenden Flüssigkeit geeignetes Fitting auswählen, siehe die folgenden Rechner:

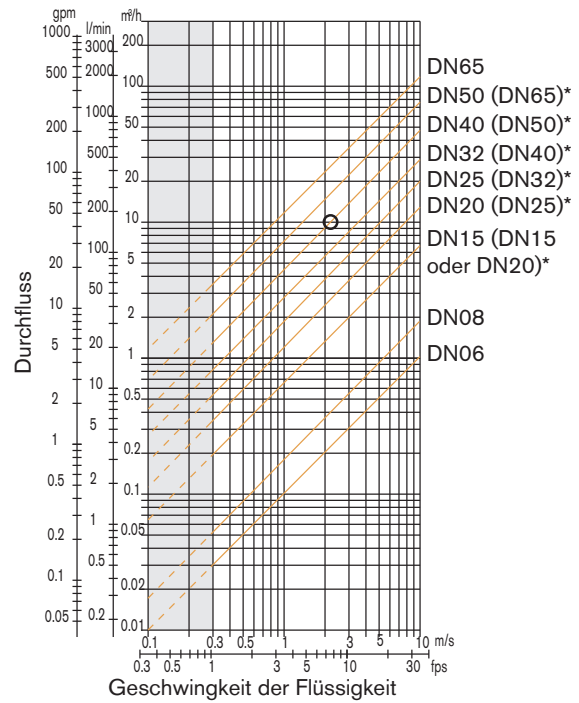
Die folgenden Rechner ermöglichen die Bestimmung des für die Anwendung je nach Fließgeschwindigkeit und Durchfluss geeigneten DN für Rohrleitung und Fitting.

Beispiel:

- Spezifikation: wenn der Nenndurchfluss $10\text{m}^3/\text{h}$ beträgt, liegt die optimale Ablaufgeschwindigkeit zwischen 2 und 3 m/s
- Lösung: Der Schnittpunkt zwischen Durchfluss und Geschwindigkeit der Flüssigkeit im Diagramm führt zum geeigneten Durchmesser, DN40 oder DN50, für die in den jeweiligen Normen* erwähnten Fittings.

*** Für die Fittings:**

- mit Außengewinde nach SMS 1145
- mit Schweißenden nach SMS 3008, BS 4825 / ASME BPE oder DIN 11850 Reihe 2
- Clamp nach SMS 3017 / ISO 2852 oder BS 4825 / ASME BPE oder DIN 32676



→ Das Fitting so in der Rohrleitung installieren, dass die durch die Norm EN ISO 5167-1 definierten Mindestein- und -auslaufstrecken eingehalten werden (siehe *Bild 3*).

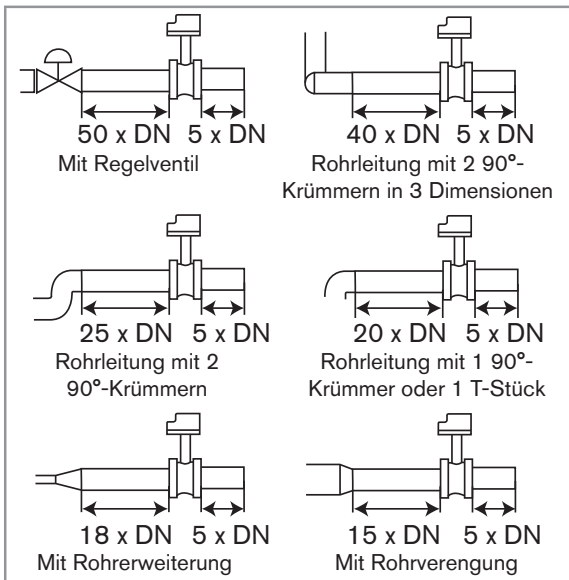


Bild 3: Mindestein- und -auslaufstrecken je nach Aufbau der Rohrleitungen

- Falls erforderlich, einen Strömungsberuhiger verwenden, um die Messgenauigkeit zu verbessern.
- Die folgenden zusätzlichen Montagebedingungen beachten, um die korrekte Funktion des Messgeräts zu gewährleisten:
 - Die Bildung von Luftblasen in der Rohrleitung vermeiden (siehe *Bild 4*);
 - die Rohrleitung mit Flüssigkeit füllen (siehe *Bild 5*).

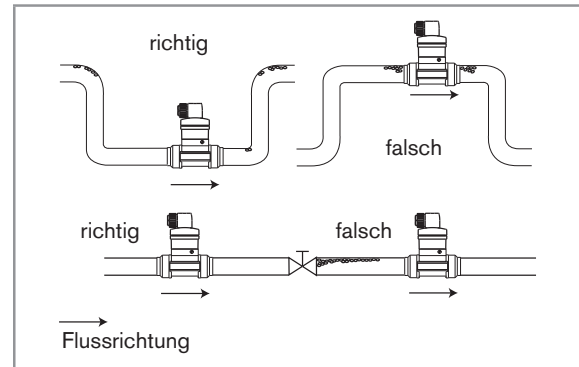


Bild 4: Zusätzliche Empfehlungen für die Installation

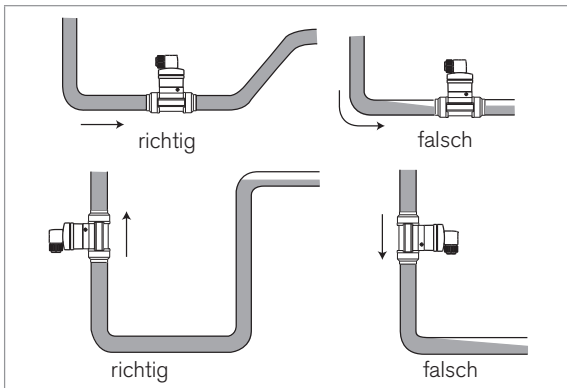


Bild 5: Zusätzliche Empfehlungen für die Installation

Installation der Fittings mit Schweißenden



Die beschriebenen allgemeinen Installationsempfehlungen einhalten.

36

deutsch

Installation eines Fittings mit Flanschen



- Den ordnungsgemäßen Zustand der Dichtungen kontrollieren.
- Eine für den Prozess (Temperatur, Flüssigkeit) geeignete Dichtung in die Rille jedes Endes legen.

→ Zur Befestigung des Fittings an der Rohrleitung den Flansch festziehen.



Sich vergewissern, dass die Dichtung in der Rille beim Festziehen des Flanschs nicht verrutscht.

8. INBETRIEBNAHME



WARNUNG!

Verletzungsgefahr bei unsachgemäßer Inbetriebnahme!

Nicht sachgemäßer Betrieb kann zu Verletzungen sowie Schäden am Fitting und seiner Umgebung führen.

- Vor der Inbetriebnahme muss gewährleistet sein, dass der Inhalt der Bedienungsanleitung dem Betriebspersonal bekannt ist und vollständig verstanden wurde.
- Besonders zu beachten sind die Sicherheitshinweise und die bestimmungsgemäße Verwendung.

Die Anlage darf nur durch ausreichend geschultes Personal in Betrieb genommen werden.

38

deutsch

HINWEIS!

Die Dichtung des Fittings mit Schweißenden kann beim Schweißen beschädigt werden.

- Vor dem Verschweißen der Schweißenden die 4 Befestigungsschrauben der Armatur lösen.
- Die Armatur abnehmen.
- Die Dichtung herausnehmen.
- Die Schweißenden verschweißen.
- Nach dem Verschweißen die Dichtung wieder korrekt in die Rille einlegen.
- Die Armatur wieder anbringen.
- Die 4 Schrauben über Kreuz mit einem Drehmoment von 1,5 Nm festziehen.

Installation der Fittings mit Clamp-Enden



- Den ordnungsgemäßen Zustand der Dichtungen kontrollieren.
- Für den Prozess (Temperatur, Flüssigkeit) geeignete Dichtungen in die Rillen des Clamp-Fittings legen.

→ Das Clamp-Fitting mit einer Schelle an der Leitung befestigen.

deutsch

37

9. WARTUNG

Sicherheitshinweise



GEFAHR!

Verletzungsgefahr durch hohen Druck in der Anlage!

- Vor dem Lösen der Prozessanschlüsse die Flüssigkeitszirkulation stoppen und den Druck ablassen.

Verletzungsgefahr durch hohe Flüssigkeitstemperaturen!

- Schutzhandschuhe benützen, um das Fitting anzufassen.
- Vor dem Lösen der Prozessanschlüsse die Flüssigkeitszirkulation stoppen und die Rohrleitung leeren.
- Leicht brennbare Stoffe vom Fitting fernhalten.

Verletzungsgefahr aufgrund der Art der Flüssigkeit!

Beachten Sie die Bestimmungen, die auf dem Gebiet der Unfallverhütung und der Sicherheit in Kraft sind und die sich auf die Verwendung aggressiver Flüssigkeiten beziehen.



WARNUNG!

Gefahr durch unsachgemäße Wartungsarbeiten!

- Wartungsarbeiten dürfen nur durch autorisiertes Fachpersonal und mit geeignetem Werkzeug durchgeführt werden!
- Nach jedem Eingriff an der Anlage einen kontrollierten Wiederanlauf gewährleisten.

deutsch

39

Wartung und Reinigung

ANMERKUNG

Das Fitting kann durch Reinigungsmittel beschädigt werden.

- Das Fitting nur mit einem Tuch oder Lappen reinigen, der leicht mit Wasser oder mit einem Mittel befeuchtet ist, das sich mit den Materialien verträgt, aus denen das Fitting besteht.

10. ERSATZTEILE, ZUBEHÖR



VORSICHT!

Verletzungsgefahr, Sachschäden durch ungeeignete Teile!

Falsches Zubehör und ungeeignete Ersatzteile können Verletzungen und Schäden am Fitting und dessen Umgebung verursachen.

Verwenden Sie nur Originalzubehör sowie Originalersatzteile der Fa. Bürkert.

Zubehör	Bestellnummer
Zertifikat 3.1	440790
Zertifikat 2.2	440789

40

deutsch

Ersatzteil	Bestellnummer
Mit Flügelrad aus PVDF, Dichtung aus FKM, Schrauben und Zertifikat, für DN15 bis DN65.	432 304
Mit Flügelrad aus PVDF, Dichtung aus EPDM, Schrauben und Zertifikat, für DN15 bis DN65.	432 303
Mit Flügelrad aus PP, Dichtung aus EPDM, Schrauben und Zertifikat, für DN15 bis DN65.	449 866
Sensorarmatur aus PVC	
Mit Flügelrad aus PVDF, Dichtung aus FKM, Schrauben und Zertifikat, für DN06 und DN08.	448 674
Mit Flügelrad aus PVDF, Dichtung aus FKM, Schrauben und Zertifikat, für DN15 bis DN65.	432 298
Mit Flügelrad aus PVDF, Dichtung aus EPDM, Schrauben und Zertifikat, für DN15 bis DN65.	432 297
Mit Flügelrad aus PP, Dichtung aus EPDM, Schrauben und Zertifikat, für DN15 bis DN65.	443 982
Sensorarmatur aus PP	
Mit Flügelrad aus PVDF, Dichtung aus EPDM, Schrauben und Zertifikat, für DN15 bis DN65.	432 300
Mit Flügelrad aus PVDF, Dichtung aus FKM, Schrauben und Zertifikat, für DN15 bis DN65.	432 299
Mit Flügelrad aus PP, Dichtung aus FKM, Schrauben und Zertifikat, für DN15 bis DN65.	552 881
Mit Flügelrad aus PP, Dichtung aus EPDM, Schrauben und Zertifikat, für DN15 bis DN65.	443 983

42

deutsch

Zubehör	Bestellnummer
Zertifikat über die Rauigkeit	444898
Kalibrierzertifikat	550676
FDA-Zulassung	449788

Ersatzteil	Bestellnummer
Sensorarmatur aus Edelstahl	
Mit Flügelrad aus PVDF, Dichtung aus FKM, Schrauben und Zertifikat, für DN06 und DN08.	448 678
Mit Flügelrad aus PVDF, Dichtung aus FKM, Schrauben und Zertifikat, für DN15 bis DN65.	432 306
Mit Flügelrad aus PVDF, Dichtung aus EPDM, Schrauben und Zertifikat, für DN15 bis DN65.	432 305
Mit Flügelrad aus PVDF, Dichtung aus EPDM, Schrauben und Zertifikat, Innenrauigkeit = 0,8 µm, für DN15 bis DN65.	434 149
Mit Flügelrad aus PP, Dichtung aus EPDM, Schrauben und Zertifikat, für DN06 und DN08.	554 896
Mit Flügelrad aus PP, Dichtung aus EPDM, Schrauben und Zertifikat, für DN15 bis DN65.	449 425
Sensorarmatur aus Messing	
Mit Flügelrad aus PVDF, Dichtung aus FKM, Schrauben und Zertifikat, für DN06 und DN08.	448 677

deutsch

41

Ersatzteil	Bestellnummer
Sensorarmatur aus PVDF	
Mit Flügelrad aus PVDF, Dichtung aus FKM, Schrauben und Zertifikat, für DN06 und DN08.	448 676
Mit Flügelrad aus PVDF, Dichtung aus FKM, Schrauben und Zertifikat, für DN15 bis DN65.	432 302
Mit Flügelrad aus PVDF, Dichtung aus EPDM, Schrauben und Zertifikat, für DN15 bis DN65.	432 301
Satz O-Ringe (DN6 bis DN65) für Fittings aus Edelstahl	
FKM	426 340
EPDM	426 341
Satz O-Ringe aus FKM für Fittings aus Kunststoff	
DN08	448 679
DN15	431 555
DN20	431 556
DN25	431 557
DN32	431 558
DN40	431 559
DN50	431 560
Satz O-Ringe aus EPDM für Fittings aus Kunststoff	
DN08	448 680

deutsch

43

Ersatzteil	Bestellnummer
DN15	431 561
DN20	431 562
DN25	431 563
DN32	431 564
DN40	431 565
DN50	431 566

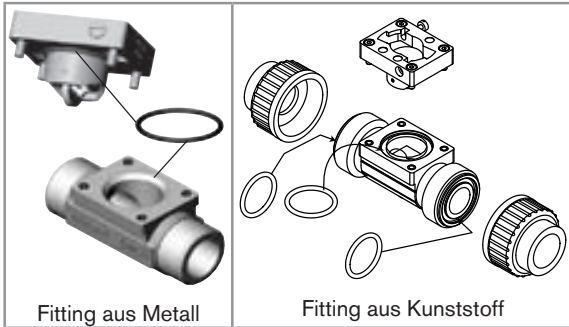


Bild 6: Dichtungsposition bei einem Fitting S030

11. VERPACKUNG, TRANSPORT

VORSICHT!

Transportschäden!

Ein unzureichend geschütztes Teil kann beim Transport beschädigt werden.

- Transportieren Sie das Fitting in einer stoßfesten Verpackung geschützt vor Feuchtigkeit und Verunreinigungen.
- Das Fitting keinen Temperaturen aussetzen, durch die der zulässige Temperaturbereich für die Lagerung überschritten werden kann.

12. LAGERUNG

VORSICHT!

Falsche Lagerung schadet dem Fitting!

- Lagern Sie das Fitting trocken und staubfrei!
- Lagerungstemperatur des Fittings S030: je nach Material des Fittingkörpers und des Flügelrads (siehe folgende Tabelle):

Flügelrad-Werkstoff	Werkstoff des Fittinggehäuses	Lagerungstemperatur
PP	▪ Edelstahl	-15°C...+80°C
	▪ Messing	
	▪ PVDF	-15°C...+60°C
	▪ PP	
PVDF	▪ PVC	-15°C...+100°C
	▪ Edelstahl	
	▪ Messing	-15°C...+80°C
	▪ PVDF	
	▪ PP	
▪ PVC	-15°C...+60°C	

13. ENTSORGUNG

→ Entsorgen Sie das Fitting und die Verpackung umweltgerecht.

VORSICHT!

Umweltschäden durch Teile, die durch Flüssigkeiten kontaminiert wurden!

- Geltende Entsorgungsvorschriften und Umweltbestimmungen einhalten!



Anmerkung:

Beachten Sie die nationalen Abfallbeseitigungsvorschriften.

Type S030

Raccord INLINE



Manuel utilisateur

Français

1.	A PROPOS DE CE MANUEL.....	3
2.	UTILISATION CONFORME	5
3.	CONSIGNES DE SÉCURITÉ DE BASE.....	6
4.	INFORMATIONS GÉNÉRALES.....	8
5.	DESCRIPTION.....	9
6.	CARACTÉRISTIQUES TECHNIQUES	10
7.	INSTALLATION.....	29
8.	MISE EN SERVICE.....	39
9.	MAINTENANCE.....	40
10.	PIÈCES DE RECHANGE ET ACCESSOIRES	42
11.	EMBALLAGE ET TRANSPORT.....	46
12.	STOCKAGE.....	47
13.	ELIMINATION DU PRODUIT	48

1. A PROPOS DE CE MANUEL

Ce manuel décrit le cycle de vie complet du raccord. Conservez-le de sorte qu'il soit accessible à tout utilisateur et à disposition de tout nouveau propriétaire.

Ce manuel contient des informations importantes relatives à la sécurité.

Le non-respect de ces consignes peut entraîner des situations dangereuses.

- Ce manuel doit être lu et compris.

Symboles utilisés



DANGER

Met en garde contre un danger imminent.

- Son non-respect peut entraîner la mort ou de graves blessures.



AVERTISSEMENT

Met en garde contre une situation éventuellement dangereuse.

- Son non-respect peut entraîner de graves blessures, voire la mort.

**ATTENTION****Met en garde contre un risque éventuel.**

- Son non-respect peut entraîner des blessures légères ou de gravité moyenne.

REMARQUE**Met en garde contre des dommages matériels.**

- Son non-respect peut entraîner des dommages sur le raccord ou l'installation.



désigne des informations supplémentaires, des conseils ou des recommandations importants pour votre sécurité et le fonctionnement parfait de l'appareil inséré dans le raccord.



renvoie à des informations contenues dans ce manuel ou dans d'autres documents.

→ indique une opération à effectuer.

4

français

Mauvaise utilisation prévisible

- Ne pas utiliser les raccords en PVC ou en PP en atmosphère explosible.
- Ne pas utiliser ce raccord pour la mesure de débit de gaz.
- Ne pas utiliser de fluide incompatible avec les matériaux composant le raccord.
- Ne pas utiliser ce raccord dans un environnement incompatible avec les matériaux qui le composent.
- Ne pas soumettre le raccord à des charges mécaniques (par ex. en y déposant des objets ou en l'utilisant comme marchepied).
- N'apporter aucune modification extérieure au corps. Ne peindre ni laquer aucune partie du raccord.

3. CONSIGNES DE SÉCURITÉ DE BASE

Ces consignes de sécurité ne tiennent pas compte :

- des imprévus pouvant survenir lors de l'installation, de l'utilisation et de l'entretien des appareils.
- des prescriptions de sécurité locales que l'exploitant est tenu de faire respecter par le personnel chargé de l'installation et de l'entretien.

6

français

2. UTILISATION CONFORME**L'utilisation non conforme du raccord type S030 peut présenter des dangers pour les personnes, les installations proches et l'environnement.**

- Le raccord S030 permet de mesurer, grâce à son ailette intégrée, le débit de fluides propres dans des conduites. Le raccord S030 peut être associé à des modules électroniques d'affichage, de surveillance, de contrôle ou des transmetteurs pourvus d'un système de raccordement à baïonnette.
- Utiliser ce raccord conformément aux caractéristiques et conditions de mise en service et d'utilisation indiquées dans les documents contractuels, dans ce manuel utilisateur et dans le manuel utilisateur du module électronique monté sur le raccord.
- L'utilisation en toute sécurité et sans problème du raccord repose sur un transport, un stockage et une installation corrects ainsi que sur une utilisation et une maintenance effectuées avec soin.
- Veiller à toujours utiliser ce raccord de façon conforme.

Restrictions

Respecter les restrictions éventuelles lorsque le raccord est exporté.

français

5



Danger dû à la pression élevée dans l'installation.
Danger dû à des températures élevées du fluide.
Danger dû à la nature du fluide.

**Situations dangereuses diverses**

- Empêcher toute mise sous tension involontaire de l'installation.
- Veiller à ce que les travaux d'installation et de maintenance soient effectués par du personnel qualifié et habilité, disposant des outils appropriés.
- Garantir un redémarrage défini et contrôlé du process, après une coupure de l'alimentation électrique.
- Respecter les règles générales de la technique lors de l'implantation et de l'utilisation du raccord.
- N'utiliser le raccord qu'en parfait état et en tenant compte des indications du manuel utilisateur.

français

7

REMARQUE

Compatibilité chimique des matériaux en contact avec le fluide.

- Vérifier systématiquement la compatibilité chimique des matériaux composant le raccord et les produits susceptibles d'entrer en contact avec celui-ci (par exemple : alcools, acides forts ou concentrés, aldéhydes, bases, esters, composés aliphatiques, cétones, aromatiques ou hydrocarbures halogénés, oxydants et agents chlorés).



Le raccord type S030 a été développé en intégrant les règles de sécurité reconnues et est conforme à l'état de la technique. Tout danger n'est cependant pas écarté.

Le non-respect de ces consignes ainsi que toute intervention non autorisée sur le raccord excluent toute responsabilité de notre part et entraînent la nullité de la garantie pour le raccord et les accessoires.

4. INFORMATIONS GÉNÉRALES

Les adresses des filiales internationales figurent sur les dernières pages de ce manuel.

Elles sont également disponibles sur internet sous : www.burkert.com

6. CARACTÉRISTIQUES TECHNIQUES

Conditions d'utilisation



La température et la pression du fluide peuvent être limitées par le module électronique associé : se référer au manuel correspondant.

Température ambiante (en fonctionnement)	Dépend du module électronique associé, voir manuel correspondant.
Classe de pression	PN16 (ou PN40 sur demande) pour les raccords en métal. PN10 pour les raccords en matière plastique, dépend de la température du fluide, voir Fig. 1 .
Température du fluide	Dépend des matériaux du corps du raccord et de l'ailette, voir tableau ci-dessous.

Matériau ailette	Matériau du corps du raccord	Température du fluide
PP	▪ acier inoxydable	+0 °C...+80 °C
	▪ laiton	
	▪ PVDF	+0 °C...+50 °C
	▪ PP	
	▪ PVC	

Conditions de garantie

La condition pour bénéficier de la garantie légale est l'utilisation conforme du raccord S030 dans le respect des conditions d'utilisation spécifiées dans le présent manuel.

Informations sur internet

Retrouvez sur internet les manuel utilisateur et fiche technique relatifs au type S030 sous : www.burkert.fr

5. DESCRIPTION

Secteur d'application

Le raccord S030 permet de mesurer, grâce à son ailette intégrée, le débit de fluides propres dans des canalisations de DN6 à DN65. Il doit être associé à un module électronique d'acquisition/conversion de la fréquence des impulsions liées à la rotation de l'ailette (indicateur, contrôleur ou transmetteur).

Le module électronique peut être remplacé sans ouvrir la canalisation ni interrompre le process.

Principe de fonctionnement

Le fluide circulant dans la canalisation fait tourner l'ailette. La fréquence de rotation f de cette ailette est proportionnelle au débit.

Matériau ailette	Matériau du corps du raccord	Température du fluide
PVDF	▪ acier inoxydable	-15 °C...+100 °C
	▪ laiton	
	▪ PVDF	+0 °C...+80 °C
	▪ PP	
	▪ PVC	+0 °C...+50 °C

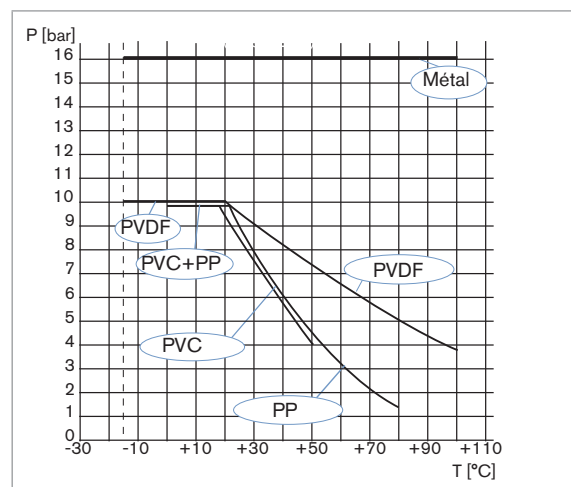


Fig. 1 : Courbe de dépendance température-pression du raccord S030 seul

Conformité à la directive pression

Le raccord S030 est conforme aux exigences de l'article 3§3 de la directive pression 97/23/CE.

Selon la directive pression 97/23/CE, le produit ne peut être utilisé que dans les cas suivants (en fonction de la pression max., du DN de la conduite et du type de fluide) :

Type de fluide	Conditions
Fluide groupe 1 § 1.3.a	DN ≤ 25 uniquement
Fluide groupe 2 § 1.3.a	DN ≤ 32 ou DN > 32 et PNxDN ≤ 1000
Fluide groupe 1 § 1.3.b	PNxDN ≤ 2000
Fluide groupe 2 § 1.3.b	DN ≤ 200

Certificats disponibles

- Certificat 3.1
- Certificat 2.2
- Certificat de rugosité
- Certificat d'étalonnage
- Agrément FDA (avec joint EPDM), uniquement pour raccord S030 en acier inoxydable

12

français

Finition des embouts du raccord S030	DN disponibles
Taraudés	DN15 à DN50
Filetés : G, NPT ou Rc en acier inoxydable ou en laiton	DN06 à DN50
Filetés : selon SMS 1145, en acier inoxydable	DN25 à DN50
A souder, en acier inoxydable	DN08 à DN65
Clamp	DN08 à DN65
Brides	DN15 à DN50
Union	DN08 à DN50
A souder ou à coller, en PVC, PP ou PVDF	DN15 à DN50

Matériaux

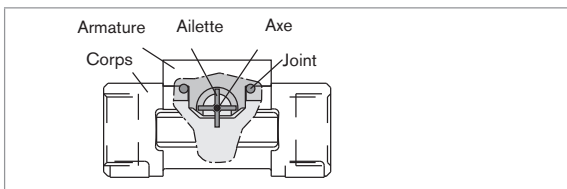


Fig. 2 : Coupe d'un raccord S030.

14

français

Caractéristiques générales

Viscosité max. du fluide	300 cSt
Type de fluide	Propre, neutre ou légèrement agressif
Taux de particules solides dans le fluide	max. 1%
Taille max. des particules	0,5 mm
Plage de mesure du débit dans la canalisation	0,3 à 10 m/s
Linéarité	≤ ± 0,5% de la pleine échelle (10 m/s)*
Répétabilité	± 0,4% de la valeur mesurée*

*dans les conditions de référence suivantes : fluide = eau, températures de l'eau et ambiante de 20 °C, distances amont et aval minimales respectées, dimensions des conduites adaptées.

Diamètres disponibles

Les diamètres disponibles dépendent de la finition du raccord S030.



Consulter les abaques à la page 32 pour déterminer le DN du raccord adapté.

français

13

Elément	Matériau
Joint	FKM EPDM avec agrément FDA sur demande
Corps	Acier inoxydable (316 L - 1.4435) Laiton (CuZn39Pb2) PVC, PP, PVDF
Vis	Acier inoxydable (316 L - 1.4404)
Ailette	PVDF PP sur demande
Axe et paliers	Céramique (Al ₂ O ₃)

Table 1 : Dimensions des raccords à embouts taraudés G, Rc ou NPT en acier inoxydable ou laiton

DN [mm]	P [mm]	A [mm]	D [pouce]	L [mm]
15	34,5	84,0	G 1/2	16,0
			NPT 1/2	17,0
			Rc 1/2	15,0
20	32,0	94,0	G 3/4	17,0
			NPT 3/4	18,3
			Rc 3/4	16,3
25	32,2	104,0	G 1	23,5
			NPT 1	18,0
			Rc 1	18,0
32	35,8	119,0	G 1 1/4	23,5
			NPT 1 1/4	21,0
			Rc 1 1/4	21,0

français

15

DN [mm]	P [mm]	A [mm]	D [pouce]	L [mm]
40	39,6	129,0	G 1 1/2 NPT 1 1/2 Rc 1 1/2	23,5 20,0 19,0
50	45,7	148,5	G 2 NPT 2 Rc 2	27,5 24,0 24,0

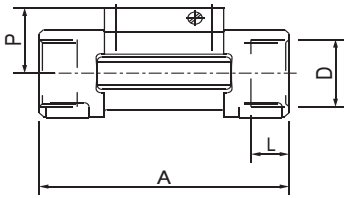


Table 2 : Dimensions des raccords à embouts filetés G, NPT ou Rc en acier inoxydable, laiton, PVC ou PVDF

DN [mm]	P [mm]	A [mm]	D [pouce]	[mm]	L [mm]
06	29,5	90,0	G 1/4 ou 1/2	-	14,0
08	29,5	90,0	1/2*	M 16 x 1,5	14,0
15	34,5	84,0	G 3/4	-	11,5
20	32,0	94,0	G 1	-	13,5
25	32,2	104,0	G 1 1/4	-	14,0

16

français

DN [mm]	P [mm]	A [mm]	D [pouce]	[mm]	L [mm]
32	35,8	119,0	G 1 1/2	-	18,0
40	39,6	129,0	-	M 55 x 2	19,0
50	45,7	148,5	-	M 64 x 2	20,0

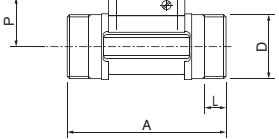
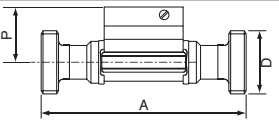


Table 3 : Dimensions des raccords à embouts filetés selon SMS 1145, en acier inoxydable

DN [mm]	P [mm]	A [mm]	D
25	32,0	130	Rd 40 x 1/6"
40	35,8	164	Rd 60 x 1/6"
50	39,6	173	Rd 70 x 1/6"



17

français

Table 4 : Dimensions des raccords à embouts à souder selon EN ISO 1127/ISO 4200, SMS 3008, BS 4825/ASME BPE et DIN 11850 Série 2, en acier inoxydable.

DN [mm]	P [mm]	A [mm]	Norme	D [mm]	s [mm]
08	-	-	EN ISO 1127 / ISO 4200	-	-
	-	-	SMS 3008	-	-
	-	-	ASME BPE	-	-
	29,5	90,0	DIN 11850 Série 2	13,00	1,50
15	34,5	84,0	EN ISO 1127 / ISO 4200	21,30	1,60
	-	-	SMS 3008	-	-
	-	-	ASME BPE	-	-
	34,5	84,0	DIN 11850 Série 2	19,0	1,50
20	32,0	94,0	EN ISO 1127 / ISO 4200	26,9	1,60
	-	-	SMS 3008	-	-
	34,5	84,0	ASME BPE	19,05	1,65
	34,5	84,0	DIN 11850 Série 2	23,00	1,50
25	32,2	104,0	EN ISO 1127 / ISO 4200	33,70	2,00
	32,0	94,0	SMS 3008	25,00	1,20
	32,0	94,0	BS 4825/ ASME BPE	25,40	1,65
	32,0	94,00	DIN 11850 Série 2	29,00	1,50
32	35,8	119,0	EN ISO 1127 / ISO 4200	42,40	2,00
	-	-	SMS 3008	-	-
	32,2	104,0	BS 4825/ ASME BPE	32,00	1,65
	32,2	104,0	DIN 11850 Série 2	35,00	1,50
40	39,6	129,0	EN ISO 1127 / ISO 4200	48,30	2,00
	35,8	119,0	SMS 3008	38,00	1,20
	35,8	119,0	BS 4825/ ASME BPE	38,10	1,65
	35,8	119,0	DIN 11850 Série 2	41,00	1,50

18

français

DN [mm]	P [mm]	A [mm]	Norme	D [mm]	s [mm]
50	45,7	148,5	EN ISO 1127 / ISO 4200	60,30	2,60
	39,6	128,0	SMS 3008	51,00	1,20
	39,6	128,0	BS 4825/ ASME BPE	50,80	1,65
	39,6	128,0	DIN 11850 Série 2	53,00	1,50
65	-	-	EN ISO 1127 / ISO 4200	-	-
	45,7	147,0	SMS 3008	63,50	1,60
	45,7	147,0	BS 4825/ ASME BPE	63,50	1,65
	-	-	DIN 11850 Série 2	-	-

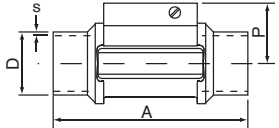


Table 5 : Dimensions des raccords Clamp selon:
a) ISO pour canalisation EN ISO 1127/ ISO 4200,
b) SMS 3017/ISO 2852*,
c) BS 4825/ASME BPE* oder,
d) DIN 32676 aus Edelstahl/ISO (pour canalisation EN ISO 1127/ISO 4200), SMS 3017/ISO 2852*, BS 4825/ASME BPE* ou DIN 32676 en acier inoxydable.

* disponible avec une rugosité interne Ra = 0.8 µm

19

français

DN [mm]	P [mm]	A [mm]	Norme	D2 [mm]	D1 [mm]	D [mm]
08	-	-	a	-	-	-
	-	-	b	-	-	-
	29,5	125	c	10,0	27,5	34,0
	-	-	d	-	-	-
15	34,5	130	a	18,10	27,5	34,0
	-	-	b	-	-	-
	29,5	119	c	16,00	27,5	34,0
	-	-	d	-	-	-
20	32,0	150	a	23,70	43,5	50,5
	-	-	b	-	-	-
	34,5	119	c	15,75	19,6	25,0
	-	-	d	20,00	27,5	34,0
25	32,2	160	a	29,70	43,5	50,5
	-	-	b	22,60	43,5	50,5
	32,0	129	c	22,10	43,5	50,5
	-	-	d	26,00	43,5	50,5
32	35,8	180	a	38,40	43,5	50,5
	-	-	b	-	-	-
	-	-	c	-	-	-
	-	-	d	-	-	-
40	39,6	200	a	44,30	56,5	64,0
	-	-	b	35,60	43,5	50,5
	35,8	161	c	34,80	43,5	50,5
	-	-	d	38,00	43,5	50,5
50	45,7	230	a	55,10	70,5	77,5
	-	-	b	48,60	56,5	64,0
	39,6	192	c	47,50	56,5	64,0
	-	-	d	50,00	56,5	64,0
65	-	-	a	-	-	-
	45,7	216	b	60,30	70,5	77,5
	-	-	c	60,20	70,5	77,5
	-	-	d	-	-	-

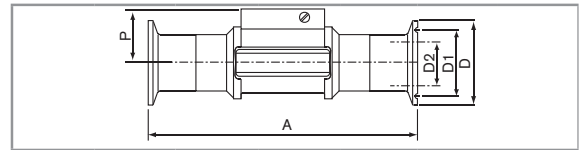


Table 6 : Dimensions, en mm, des raccords à brides selon EN1092-1 (ISO PN16), ANSI B16-5-1988 ou JIS 10 K en acier inoxydable

DN	P	A	Norme	L	Z	D2	D1	D
15	34,5	130	EN	23,5	4x14,0	45,0	65,0	95,0
		130	ANSI		4x15,8	34,9	60,3	89,0
		152	JIS		4x15,0	51,0	70,0	95,0
20	32,0	150	EN	28,5	4x14,0	58,0	75,0	105,0
		150	ANSI		4x15,8	42,9	69,8	99,0
		178	JIS		4x15,0	56,0	75,0	100,0
25	32,2	160	EN	28,5	4x14,0	68,0	85,0	115,0
		160	ANSI		4x15,8	50,8	79,4	108,0
		216	JIS		4x19,0	67,0	90,0	125,0
32	35,8	180	EN	31,0	4x18,0	78,0	100,0	140,0
		180	ANSI		4x15,8	63,5	88,9	117,0
		229	JIS		4x19,0	76,0	100,0	135,0
40	39,6	200	EN	36,0	4x18,0	88,0	110,0	150,0
		200	ANSI		4x15,8	73,0	98,4	127,0
		241	JIS		4x19,0	81,0	105,0	140,0
50	45,7	230	EN	41,0	4x18,0	102,0	125,0	165,0
		230	ANSI		4x19,0	92,1	120,6	152,0
		267	JIS		4x19,0	96,0	120,0	155,0

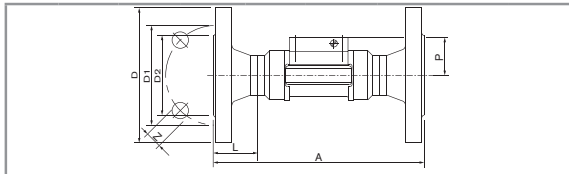
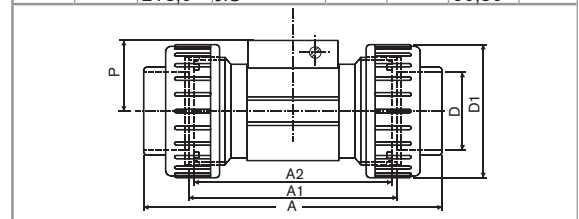


Table 7 : Dimensions des raccords union selon DIN 8063, ASTM D 1785/76 ou JIS K en PVC, DIN 16962 en PP ou ISO 10931 en PVDF

DN [mm]	P [mm]	A [mm]	Norme	A1 [mm]	A2 [mm]	D [mm]	D1 [mm]
08*	29,5	122,0	DIN / ISO	92	90	12,00	-
		-	ASTM				
		-	JIS				
15	34,5	128,0	DIN / ISO	96	90	20,00	43
		130,0	ASTM				
		129,0	JIS				
20	32,0	144,0	DIN / ISO	106	100	25,00	53
		145,6	ASTM				
		145,0	JIS				
25	32,2	160,0	DIN / ISO	116	110	32,00	60
		161,4	ASTM				
		161,0	JIS				
32	35,8	168,0	DIN / ISO	116	110	40,00	74
		170,0	ASTM				
		169,0	JIS				
40	39,6	188,0	DIN / ISO	127	120	50,00	83
		190,2	ASTM				
		190,0	JIS				

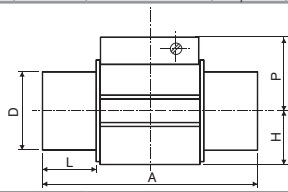
DN [mm]	P [mm]	A [mm]	Norme	A1 [mm]	A2 [mm]	D [mm]	D1 [mm]
50	45,7	212,0	DIN / ISO	136	130	63,00	103
		213,6	ASTM				
		213,0	JIS				



* uniquement disponible en PVC

Table 8 : Dimensions des raccords à souder ou à coller selon DIN 8063 en PVC, DIN 16962 en PP ou ISO 10931 en PVDF

DN [mm]	P [mm]	A [mm]	Norme	L [mm]	D [mm]	H [mm]
15	34,5	90	DIN 8063	16,5	20	17,5
		85	DIN 16962	14,0		
		85	ISO 10931	14,0		
20	32,0	100	DIN 8063	20,0	25	17,5
		92	DIN 16962	16,0		
		92	ISO 10931	16,0		
25	32,2	110	DIN 8063	23,0	32	21,5
		95	DIN 16962	18,0		
		95	ISO 10931	18,0		
32	35,8	110	DIN 8063	27,5	40	27,5
		100	DIN 16962	20,0		
		100	ISO 10931	20,0		
40	39,6	120	DIN 8063	30,0	50	31,5
		106	DIN 16962	23,0		
		106	ISO 10931	23,0		
50	45,7	130	DIN 8063	37,0	63	39,5
		110	DIN 16962	27,0		
		110	ISO 10931	27,0		



Facteurs K (en imp/l)

Les facteurs K ont tous été déterminés dans les conditions de référence suivantes : fluide = eau, températures de l'eau et ambiante de 20 °C, distances amont et aval minimales respectées, dimensions des conduites adaptées.



Si le raccord S030 est associé à un module électronique qui ne convertit pas automatiquement les facteurs K, effectuer la conversion avec l'une des formules ci-dessous :

Facteur K en imp/gallon US = facteur K en imp/l x 3,785 pour obtenir un débit en gallon US / unité de temps

Facteur K en imp/gallon UK = facteur K en imp/l x 4,546 pour obtenir un débit en gallon UK / unité de temps

Matériaux	Types d'embouts et normes	Facteurs K
		DN6
Acier inoxydable	A souder selon :	
	SMS 3008	-
	BS 4825 / ASME BPE	-
	DIN 11850 Série 2	-
	EN ISO 1127 / ISO 4200	-
	Filetés selon :	
	SMS 1145	-
	G	440
	Taraudés selon :	
	G, Rc, NPT	-
	Clamp selon :	
	SMS 3017 / ISO 2852	-
	BS 4825 / ASME BPE	-
	DIN 32676	-
	ISO (pour conduites EN ISO 1127 / ISO 4200)	-

Facteurs K (imp/l)							
DN8	DN15	DN20	DN25	DN32	DN40	DN50	DN65
-	-	-	66,85	-	31,08	19,92	11,36
-	-	105,7	66,85	49,03	31,08	19,92	11,36
278	105,7	105,7	66,85	49,03	31,08	19,92	-
-	105,7	66,48	49,03	31,82	19,84	11,36	-
-	-	-	66,85	-	31,08	19,92	-
278	105,7	66,48	49,03	31,82	19,84	11,36	-
-	105,7	66,48	49,03	31,82	19,84	11,36	-
-	-	-	66,85	-	31,08	19,92	11,36
-	-	105,7	66,85	-	31,08	19,92	11,36
278	105,7	105,7	66,85	-	31,08	19,92	-
-	105,7	66,48	49,03	31,82	19,84	11,36	-

Matériaux	Types d'embouts et normes	Facteurs K DN6
Acier inoxydable	A brides selon : EN 1092-1 (ISO PN16) ANSI B16-5-1998 JIS 10K	440
Laiton	Toutes	440
PVC	Toutes	440
PP	Toutes	-
PVDF	Toutes	440

DANGER

Risque de blessure dû à la nature du fluide.

- Respecter la réglementation en vigueur en matière de prévention des accidents et de sécurité relative à l'utilisation de produits dangereux.

AVERTISSEMENT

Risque de blessure dû à une installation non conforme.

- L'installation fluidique ne peut être effectuée que par du personnel habilité et qualifié, disposant des outils appropriés.
- Respecter les consignes d'installation de l'appareil de mesure inséré dans le raccord.

Risque de blessure dû à un redémarrage incontrôlé.

- Garantir un redémarrage contrôlé de l'installation, après toute intervention sur celle-ci.

Risque de blessure en cas de non respect de la dépendance température - pression du fluide.

- Tenir compte de la dépendance température-pression du fluide selon la nature des matériaux du raccord et de celle de l'appareil de mesure utilisé (voir le manuel utilisateur correspondant).
- Tenir compte de la directive pression 97/23/CE.

Facteurs K (imp/l)							
DN8	DN15	DN20	DN25	DN32	DN40	DN50	DN65
-	105,7	66,48	49,03	31,82	19,84	11,36	-
278	105,7	66,48	49,03	31,82	19,84	11,36	-
278	115,8	75,25	52,91	28,47	17,29	10,20	-
-	110,2	74,18	52,86	28,44	17,41	10,06	-
278	118,4	78,01	57,03	31,65	18,97	10,86	-

7. INSTALLATION

Consignes de sécurité

DANGER

Risque de blessure dû à la pression élevée dans l'installation.

- Stopper la circulation du fluide et évacuer la pression avant de desserrer les raccords au process.

Risque de blessure dû à des températures élevées du fluide.

- Utiliser des gants de protection pour saisir le raccord.
- Stopper la circulation du fluide avant de desserrer le raccord.

Installation sur la canalisation

DANGER

Risque de blessure dû à la pression élevée dans l'installation.

- Stopper la circulation du fluide et évacuer la pression avant de desserrer les raccords au process.

Risque de blessure dû à des températures élevées du fluide.

- Utiliser des gants de protection pour saisir le raccord.
- Stopper la circulation du fluide avant de desserrer les raccords au process.

Risque de blessure dû à la nature du fluide.

- Respecter la réglementation en vigueur en matière de prévention des accidents et de sécurité relative à l'utilisation de fluides agressifs.

→ Sélectionner un raccord adapté à la vitesse et au débit du fluide circulant dans votre installation, se reporter aux abaques ci-dessous :

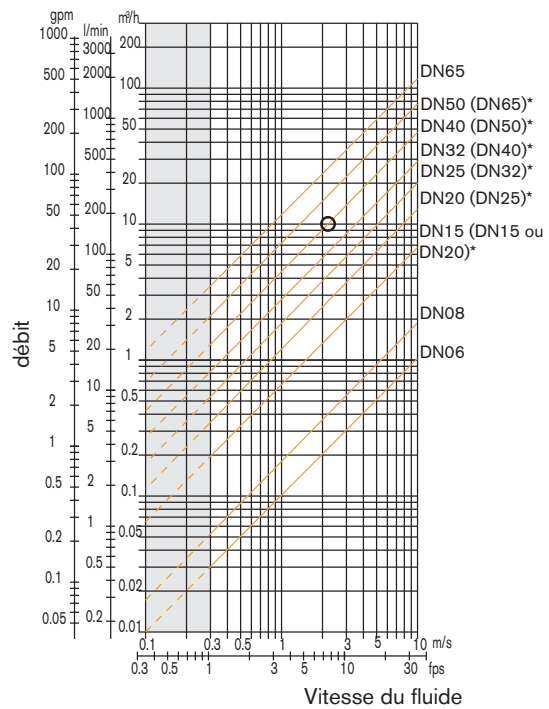
Ces abaques permettent de déterminer le DN de la conduite et du raccord approprié à l'application, en fonction de la vitesse du fluide et du débit.

Exemple :

- Spécification : si le débit nominal est de 10 m³/h, le dimensionnement de la vitesse d'écoulement optimale doit être compris entre 2 et 3 m/s
- Solution : l'intersection du débit et de la vitesse du fluide dans le diagramme mène au diamètre approprié, DN40 ou DN50 pour les raccords mentionnés par*.

* Pour les raccords :

- à embouts filetés selon SMS 1145
- à embouts à souder selon SMS 3008, BS 4825 / ASME BPE ou DIN 11850 Série 2
- Clamp selon SMS 3017 / ISO 2852 ou BS 4825 / ASME BPE ou DIN 32676



→ Installer le raccord sur la conduite de sorte que les distances amont et aval minimales, définies par la norme EN ISO 5167-1, soient respectées (voir Fig. 3).

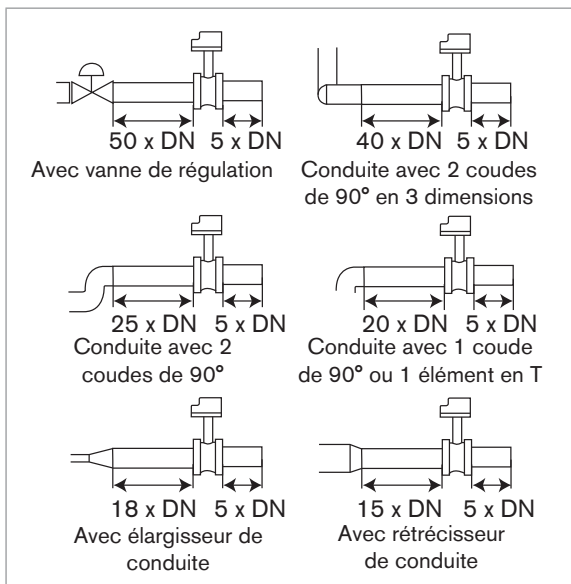


Fig. 3 : Distances amont et aval en fonction de la conception des conduites.

- Utiliser si nécessaire un tranquiliseur de circulation pour améliorer la précision des mesures.
- Respecter les conditions additionnelles de montage suivantes pour assurer un fonctionnement correct de l'appareil de mesure :
 - Eviter la formation de bulles d'air dans la conduite (voir Fig. 4).
 - Remplir la conduite en liquide (voir Fig. 5).

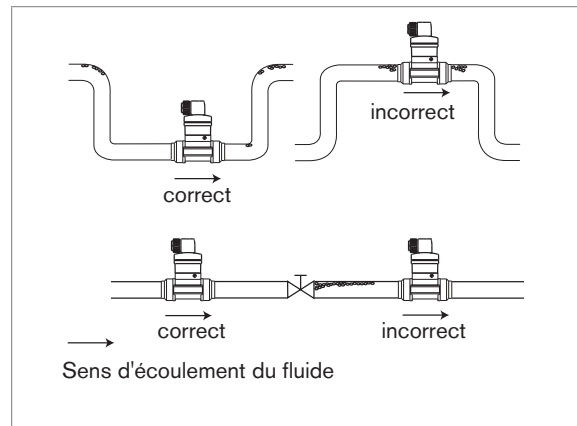


Fig. 4 : Recommandations additionnelles d'installation

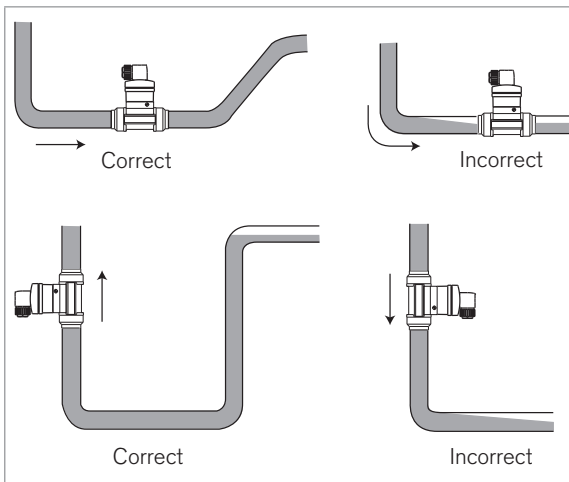


Fig. 5 : Recommandations additionnelles d'installation

36

français

Installation des raccords à embouts Clamp

- ! → Vérifier le bon état des joints.
- ! → Placer des joints adaptés au process (température, fluide) dans les gorges du raccord Clamp.

→ Fixer le raccord Clamp sur la canalisation à l'aide d'un collier de serrage.

Installation d'un raccord à embouts à brides

- ! → Vérifier le bon état des joints.
- ! → Placer un joint adapté au process (température, fluide) dans la gorge de chaque embout.

→ Serrer la bride pour fixer le raccord sur la canalisation.

- ! S'assurer que le joint reste en place dans la gorge au moment du serrage de la bride.

38

français

Installation des raccords à embouts à souder

- ! Respecter les recommandations d'installation décrites précédemment.

REMARQUE

Le joint du raccord à embouts à souder peut être endommagé lors du soudage.

- Avant de souder les embouts à souder, dévisser les 4 vis de fixation de l'armature.
- Retirer l'armature.
- Retirer le joint d'étanchéité.
- Souder les embouts.
- Après soudage, replacer correctement le joint d'étanchéité dans la gorge.
- Replacer l'armature.
- Visser les 4 vis en croix en appliquant un couple de serrage de 1,5 Nm.

français

37

8. MISE EN SERVICE

Consignes de sécurité

! AVERTISSEMENT

Risque de blessure dû à une mise en service non conforme.

La mise en service non conforme peut entraîner des blessures et endommager le raccord et son environnement.

- S'assurer, avant la mise en service, que le personnel qui en est chargé a lu et parfaitement compris le contenu de ce manuel.
- Respecter en particulier les consignes de sécurité et l'utilisation conforme.
- L'installation ne doit être mise en service que par du personnel suffisamment formé.

français

39

9. MAINTENANCE

Consignes de sécurité



DANGER

Risque de blessure dû à la pression élevée dans l'installation.

- Stopper la circulation du fluide et évacuer la pression avant de desserrer les raccordements au process.

Risque de blessure dû à des températures élevées du fluide.

- Utiliser des gants de protection pour saisir le raccord.
- Stopper la circulation du fluide et purger la canalisation avant de desserrer les raccordements au process.
- Tenir éloigné du raccord toute matière et tout fluide facilement inflammable.

Risque de blessure dû à la nature du fluide.

- Respecter la réglementation en vigueur en matière de prévention des accidents et de sécurité relative à l'utilisation de fluides agressifs.

40

français

10. PIÈCES DE RECHANGE ET ACCESSOIRES



ATTENTION

Risque de blessure et de dommage matériel dus à l'utilisation de pièces inadaptées.

Un mauvais accessoire ou une pièce de rechange inadaptée peuvent entraîner des blessures et endommager le raccord et son environnement.

- N'utiliser que les accessoires et pièces détachées d'origine de la société Bürkert.

Accessoires	Référence de commande
Certificat	
Certificat 3.1	440 790
Certificat 2.2	440 789
Certificat de rugosité	444 898
Certificat d'étalonnage	550 676
Agrément FDA	449 788

42

français



AVERTISSEMENT

Danger dû à une maintenance non conforme.

- Ces travaux doivent être effectués uniquement par du personnel qualifié et habilité, disposant des outils appropriés.
- Garantir un redémarrage contrôlé de l'installation, après toute intervention.

Entretien et nettoyage

REMARQUE

Le raccord peut être endommagé par le produit de nettoyage.

- Nettoyer le raccord avec un chiffon imbibé d'eau ou d'un produit compatible avec les matériaux qui le composent.

français

41

Pièces de rechange	Référence de commande
Armature du capteur en acier inoxydable	
Avec ailette en PVDF, joint FKM, vis et certificat, pour DN06 et DN08.	448 678
Avec ailette en PVDF, joint FKM, vis et certificat, pour DN15 à DN65.	432 306
Avec ailette en PVDF, joint EPDM, vis et certificat, pour DN15 à DN65.	432 305
Avec ailette en PVDF, joint EPDM, vis et certificat, rugosité int.=0,8 µm pour DN15 à DN65.	434 149
Avec ailette en PP, joint EPDM, vis et certificat pour DN06 et DN08.	554 896
Avec ailette en PP, joint EPDM, vis et certificat pour DN15 à DN65.	449 425
Armature du capteur en laiton	
Avec ailette en PVDF, joint FKM, vis et certificat pour DN06 et DN08.	448 677
Avec ailette en PVDF, joint FKM, vis et certificat pour DN15 à DN65.	432 304
Avec ailette en PVDF, joint EPDM, vis et certificat pour DN15 à DN65.	432 303
Avec ailette en PP, joint EPDM, vis et certificat pour DN15 à DN65.	449 866

français

43

Pièces de rechange	Référence de commande
Armature du capteur en PVC	
Avec ailette en PVDF, joint FKM, vis et certificat pour DN06 et DN08.	448 674
Avec ailette en PVDF, joint FKM, vis et certificat pour DN15 à DN65.	432 298
Avec ailette en PVDF, joint EPDM, vis et certificat pour DN15 à DN65.	432 297
Avec ailette en PP, joint EPDM, vis et certificat pour DN15 à DN65.	443 982
Armature du capteur en PP	
Avec ailette en PVDF, joint FKM, vis et certificat pour DN15 à DN65.	432 300
Avec ailette en PVDF, joint EPDM, vis et certificat pour DN15 à DN65.	432 299
Avec ailette en PP, joint FKM, vis et certificat pour DN15 à DN65.	552 881
Avec ailette en PP, joint EPDM, vis et certificat pour DN15 à DN65.	443 983
Armature du capteur en PVDF	
Avec ailette en PVDF, joint FKM, vis et certificat pour DN06 et DN08.	448 676
Avec ailette en PVDF, joint FKM, vis et certificat pour DN15 à DN65.	432 302
Avec ailette en PVDF, joint EPDM, vis et certificat pour DN15 à DN65.	432 301

Pièces de rechange	Référence de commande
Jeu de joints toriques (DN6 à DN65) pour raccords métalliques	
FKM	426 340
EPDM	426 341
Jeu de joints toriques en FKM pour raccords plastiques	
DN08	448 679
DN15	431 555
DN20	431 556
DN25	431 557
DN32	431 558
DN40	431 559
DN50	431 560
Jeu de joints toriques en EPDM pour raccords plastiques	
DN08	448 680
DN15	431 561
DN20	431 562
DN25	431 563
DN32	431 564
DN40	431 565
DN50	431 566

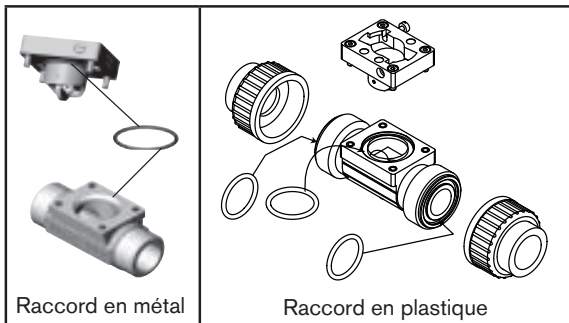


Fig. 6 : Emplacement du joint sur un raccord S030.

11. EMBALLAGE ET TRANSPORT

ATTENTION

Dommages dus au transport

Le transport peut endommager une pièce insuffisamment protégée.

- Transporter le raccord dans un emballage résistant aux chocs, à l'abri de l'humidité et des impuretés.
- Ne pas exposer le raccord à des températures pouvant entraîner un dépassement de la plage de température de stockage.

12. STOCKAGE

ATTENTION

Un mauvais stockage peut endommager le raccord.

- Stocker le raccord dans un endroit sec et à l'abri de la poussière.
- Température de stockage du raccord S030 : dépend des matériaux de l'ailette et du corps du raccord (voir tableau ci-dessous).

Matériau ailette	Matériau du corps du raccord	Température de stockage
PP	▪ Acier inoxydable	-15 °C...+80 °C
	▪ Laiton	
	▪ PVDF	
	▪ PP	
	▪ PVC	
PVDF	▪ Acier inoxydable	-15 °C...+100 °C
	▪ Laiton	
	▪ PVDF	
	▪ PP	
	▪ PVC	

13. ELIMINATION DU PRODUIT

→ Eliminer le raccord et l'emballage dans le respect de l'environnement.

ATTENTION

Dommmages à l'environnement causés par des pièces contaminées par des fluides.

- Respecter les prescriptions en vigueur en matière d'élimination des déchets et de protection de l'environnement.



Remarque :

Respecter les prescriptions nationales en matière d'élimination des déchets.

Germany

Headquarter and Service Center

www.buerkert.com

Bürkert GmbH & Co. KG
Christian-Bürkert-Straße 13-17
DE-74653 Ingelfingen
Ph: +49 (0) 79 40-10-91 111
Fax +49 (0) 79 40-10-91 448
info@de.buerkert.com

Distribution Center

Berlin	Ph: +49 (0) 30-6797170	Fax +49 (0) 30-67971766
Hannover	Ph: +49 (0) 511-902760	Fax +49 (0) 511-9027666
Dortmund	Ph: +49 (0) 2373-96810	Fax +49 (0) 2373-968150
Frankfurt	Ph: +49 (0) 6103-94140	Fax +49 (0) 6103-941466
Stuttgart	Ph: +49 (0) 711-451100	Fax +49 (0) 711-4511066
München	Ph: +49 (0) 89-8292280	Fax +49 (0) 89-82922850

Europe

AUSTRIA	Ph. +43 (0)1-89413 33	Fax +43 (0)1-89413 00
BELGIUM	Ph. +32 (0)3 325 89 00	Fax +32 (0)3 325 61 61
CZECH REP.	Ph. +420 543-25 25 05	Fax +420 543-25 25 06
DENMARK	Ph. +45 44-50 75 00	Fax +45 44-50 75 75
FINLAND	Ph. +358 (0)207 412 550	Fax +358 (0)207 412 555
FRANCE	Ph. +33 (0)388-58 91 11	Fax +33 (0)388-57 20 08
ITALY	Ph. +39 02-959 071	Fax +39 02-959 07 251
NETHERLDS.	Ph. +31 (0)88 12 67 300	Fax +31 (0)88 12 67 350
NORWAY	Ph. +47 63-84 44 10	Fax +47 63-84 44 55
PORTUGAL	Ph. +351 212 898 275	Fax +351 212 898 276
POLAND	Ph. +48 (0)22-840 60 10	Fax +48 (0)22-840 60 11
SPAIN	Ph. +34 93-477 79 80	Fax +34 93-477 79 81
SWEDEN	Ph. +46 (0)40-664 51 00	Fax +46 (0)40-664 51 01
SWITZERLAND	Ph. +41 (0)41-785 66 66	Fax +41 (0)41-785 66 33
TURKEY	Ph. +90 (0)232-459 53 95	Fax +90 (0)232-459 76 94
UNITED KINGD.	Ph. +44 (0)1453-73 13 53	Fax +44 (0)1453-73 13 43

Asia Pacific

AUSTRALIA	Ph. +61 2 8853 6353	Fax +61 2 8853 6363
CHINA	Ph. +86 21-5863 99 90	Fax +86 21-5863 99 68
HONG KONG	Ph. +852 248 012 02	Fax +852 241 819 45
INDIA	Ph. +91 (0)44-4230 3456	Fax +91(0)44-4230 3232
JAPAN	Ph. +81 (0)3-5827-0066	Fax +81 (0)3-5827-0067
KOREA	Ph. +82 (0)2- 3462 5592	Fax +82 (0)2- 3462 5594
MALAYSIA	Ph. +60 (0)4-643 5008	Fax +60 (0)4-643 7010
NEW ZEALAND	Ph. +64 (0)9-256 77 37	Fax +64 (0)9-256 77 47
PHILIPPINES	Ph. +63 (0) 2-776 43 84	Fax +63 (0) 2-776 43 82
SINGAPORE	Ph. +65 6844 2233	Fax +65 6844 3532
TAIWAN	Ph. +886 (0)2-2653 7868	Fax +886 (0)2-2653 7968

North and South America

ARGENTINA	Ph. +54 (0)11-5648 6350	Fax +54 (0)11-5648 6355
BRAZIL	Ph. +55 (0)11-2186 1155	Fax +55 (0)11-2186 1165
CANADA	Ph. +1 905-632 30 33	Fax +1 905-632 38 33
USA	Ph. +1 704-504 44 40	Fax +1 949 223 31 98

Africa

SOUTH AFRICA	Ph. +27 (0)11-574 60 00	Fax +27(0)11-454 14 77
--------------	-------------------------	------------------------

We reserve the right to make technical changes without notice.
Technische Änderungen vorbehalten.
Sous réserve de modifications techniques.

www.burkert.com

© 2010 Bürkert SAS
Operating Instructions 1011/0_EU-ML_426107