

FINE CONTROLS (UK) LTD



Fine Controls have been supplying process controls & instrumentation equipment since 1994, & now serves an ever expanding customer base, both in the UK & globally.

We offer a full range of valve & instrumentation products & services, with our product range representing leading technologies & brands:

Flow: Flow Meters & Transmitters, Flow Switches, Flow Control Valves & Batch Control Systems

Temperature: Temperature Probes & Thermowells, Temperature transmitters, Temperature Regulators & Temperature Displays

Level: Level Transmitters & Switches

Pressure: Pressure Gauges & Transmitters, Precision & High Pressure Regulators & I-P Converters, Volume boosters.

Precision Pneumatics: Pressure Regulators, I-P Converters, Volume Boosters, Vacuum Regulators

Valves: Solenoid & Pneumatic Valves, Control Valves & Positioners, Actuated Ball, Globe or Diaphragm Valves & Isolation Valves

Services: Repair, Calibration, Panel Build, System Design & Commissioning

A rotork® Brand
FAIRCHILD



bürkert



SIEMENS



alcon
SOLENOID VALVES

A rotork® Brand



MIDLAND-ACS
A rotork® Brand



Honeywell



Bourdon
Baumer Group



SOLDO
CONTROLS

A rotork® Brand

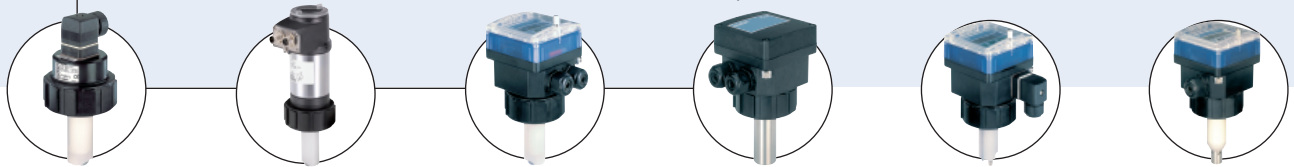


Fine Controls (UK) LTD, Bassendale Road, Croft Business Park,
Bromborough, Wirral, CH62 3QL UK
Tel: 0151 343 9966
Email: sales@finecontrols.com

INSERTION fitting for flow measurement or analysis



Type S020 can be combined with...



Type 8020
Flow sensor

Type 8026
Digital flow transmitter

Type 8025
Digital flow transmitter

Type 8045/8041
Electromagnetic flow transmitter

Type 8205/8206
Digital pH / ORP transmitter

Type 8225
Digital conductivity transmitter

The fitting can be used to connect any INSERTION device for a measurement in the pipe.
i.e. sensors, indicators, transmitters and controllers for flow, pH, ORP and conductivity measurement.

General data	
Pipe diameter	DN06 up to DN400 ¹⁾
Fitting port connection	Internal or external thread, weld ends, clamp or flange True union, spigot or external thread
Materials	Seal: FKM or EPDM Body & adaptation part: Brass (CuZn39Pb2) & stainless steel (316L -1.4435), all in stainless steel (316L -1.4435) or all in PVC, PP, PVDF, PE
Medium data	
Fluid temperature	0 up to 50°C (32 to 122°F) for fitting in PVC 0 up to 80°C (32 to 176°F) for fitting in PP -15 up to 100°C (5 to 212°F) for fitting in PVDF -15 up to 160°C (5 to 320°F) for fitting in stainless steel or brass Temperature limits may depend on the inserted device. Refer to the relevant data sheet or instruction manual and the temperature/pressure curve of the fluid on next page. If the temperature ranges given for the adapter and the inserted device are different, use the most restrictive range.
Fluid pressure (max.)	Metal: PN 16 (232.16 PSI) Plastic: PN 10 (145.1 PSI) Pressure limits may depend on the inserted device. Refer to the relevant data sheet or instruction manual and the temperature/pressure curve of the fluid on next page. If the pressure ranges given for the adapter and the inserted device are different, use the most restrictive range.
Environment	
Ambient temperature	Temperature limits may depend on the inserted device. Refer to the relevant data sheet or instruction manual for more details

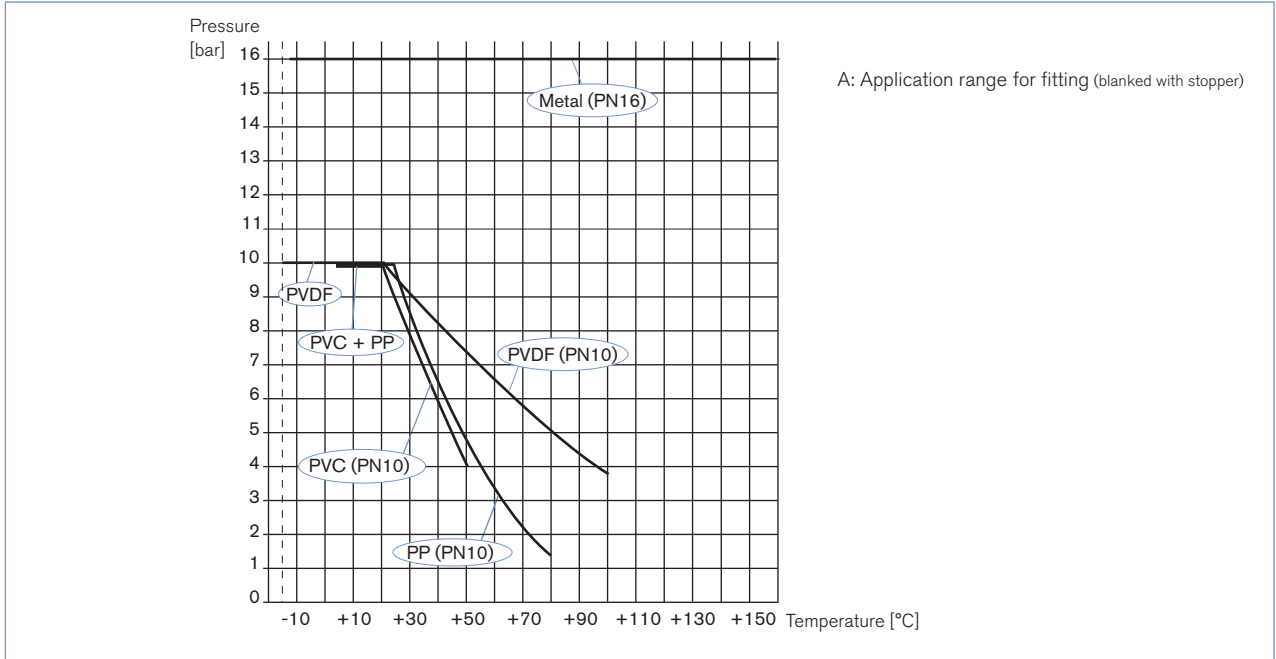
¹⁾ Combination between fitting and sensors is sometimes restricted to some DN(see diagram: combining the S020 with sensors on next page).

Approvals

Approval / Certificate on request

3.1 Certificate;
2.2 Certificate;
Rugosity Certificate;
Calibration Certificate;
FDA (with EPDM seal) - stainless steel fitting only

Temperature / pressure curve



Combining the S020 with sensors for flow rate, pH or ORP, conductivity measurement

Available S020 fitting DN	T-fitting	DN06	DN65			
	Welding tab		DN50	DN350		
	Fusion spigot		DN65	DN400		
	Screw-on S020	For flow measurement	DN100	DN400		
	Saddle S020	For flow measurement	DN50	DN200		
Flow rate measurement 8020 - 8024 - 8025 - 8026 - 8041 - 8045		DN06	DN15	DN50	DN200	DN400
		only 8041/8045	Short sensor version	Short or long version*	Long sensor version	
pH or ORP measurement 8200 - 8205 - 8206 compact version		DN15	DN200			
	8205 - 8206 remote version	DN15	DN32	DN200		
Conductivity measurement 8220 - 8223 - 8225 - 8226		DN15	DN32	DN200		
			**			

* See Note on each fitting dimensions diagram

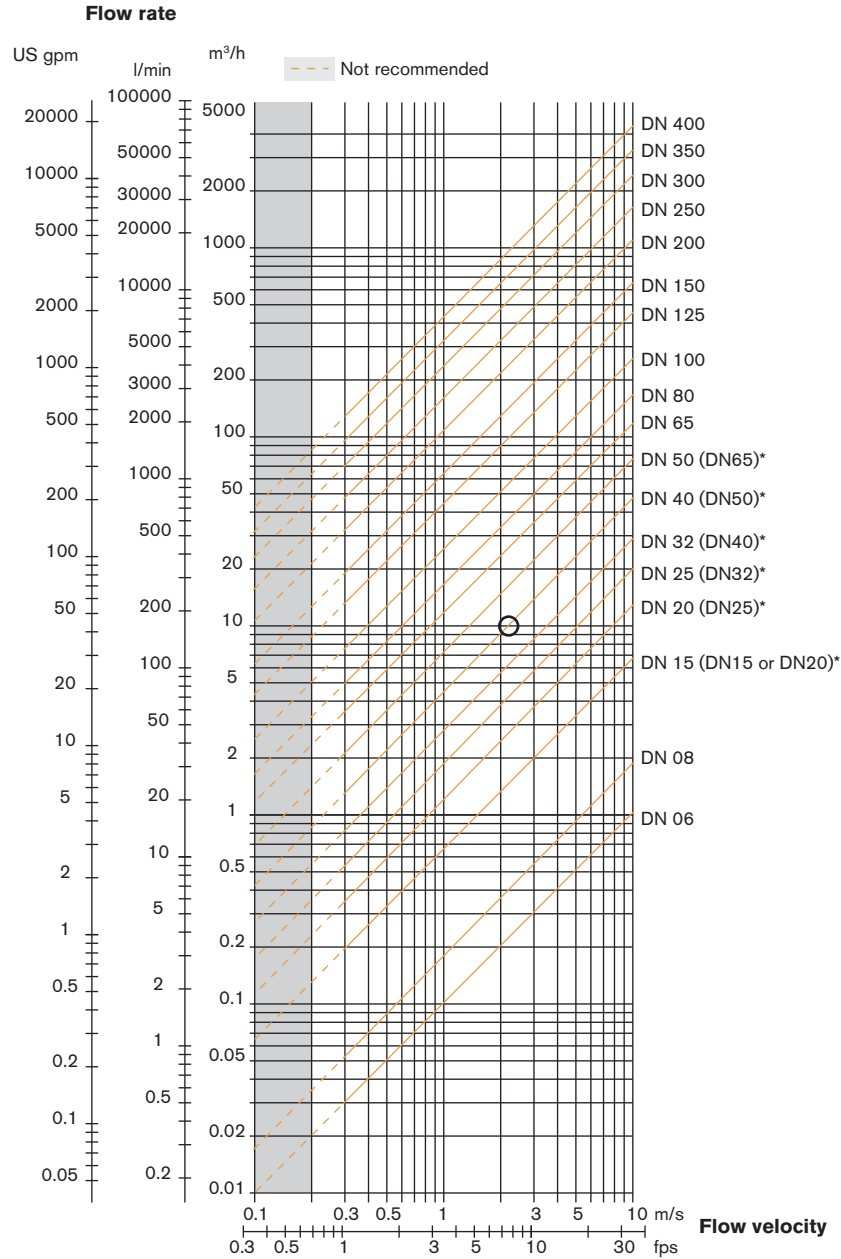
** Only use plastic fitting in analytical version with true union acc. to DIN 8063 (PVC), to DIN 16962 (PP) or to ISO 10931 (PVDF)

For further details about the various combination possibilities (sensor and fitting), please consult sensor related data sheet.

Selection fitting / pipe size

Example:

- Specification of nominal flow: 10 m³/h
- Ideal flow velocity: 2...3 m/s
- For these specifications, the diagram indicates a pipe size of DN40 [or DN50 for (*) mentioned fittings]



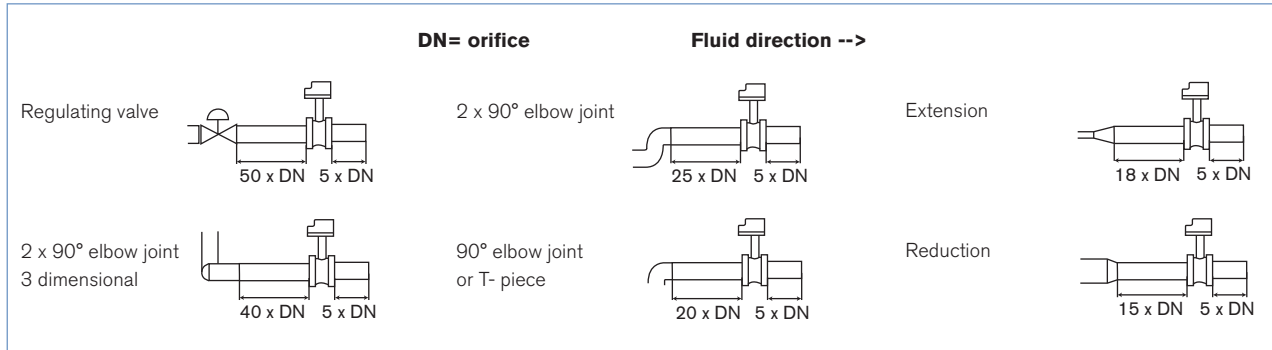
- * for following fittings:
- with external threads acc. to SMS 1145
 - with weld-ends acc. to SMS 3008, BS 4825 / ASME BPE or DIN 11850 Series 2
 - Clamp acc. to SMS 3017 / ISO 2852, BS 4825 / ASME BPE or DIN 32676

Installation

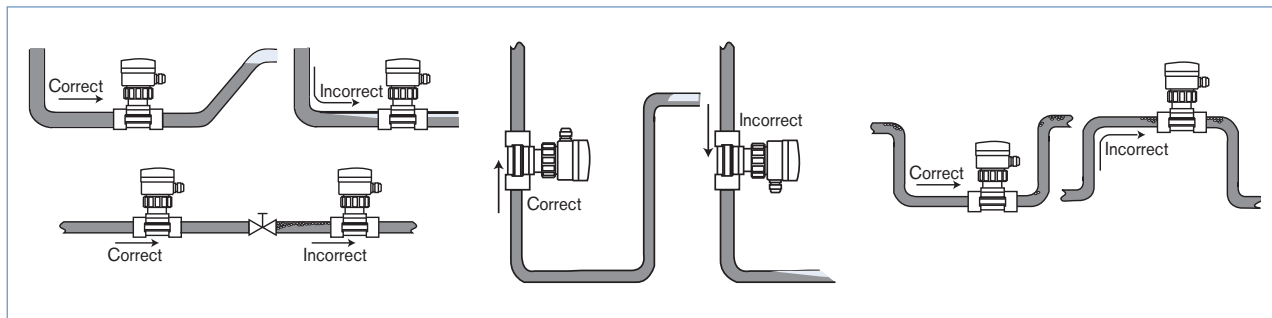
Flow measurement:

Minimum straight upstream and downstream distances must be observed. According to the pipe's design, necessary distances can be bigger or use a flow conditioner to obtain the best accuracy. For more information, please refer to EN ISO 5167-1.

EN ISO 5167-1 prescribes the straight inlet and outlet distances that must be complied with when installing fittings in pipe lines in order to achieve calm flow conditions. The most important layouts that could lead to turbulence in the flow are shown below, together with the associated prescribed minimum inlet and outlet distances. These ensure calm, problem-free measurement conditions at the measurement point.



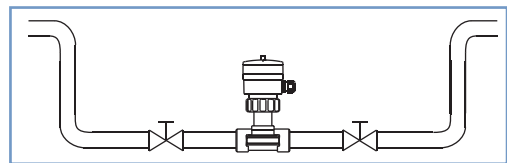
The flow rate sensor can be installed in either horizontal or vertical pipes.



Analysis measurement:

For pH and ORP measurements, we recommended a "U"- form bypass installation to ensure that the electrode is maintained in a wet condition and enable the customer to calibrate the unit without stopping the whole process or to use the special designed measuring chamber.

The specially designed measuring chamber enables to install all pH-, ORP-, conductivity-transmitters or electrodes in all pipe systems, either directly in the main stream or in a by-pass line. Additionally it enables to keep the electrode always wet and isolates it easily from the main stream for calibration purposes.

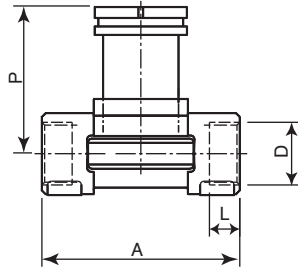


Pressure and temperature ratings must be respected according to the selected fitting material. The suitable pipe size is selected using the diagram Flow / Velocity / DN.

INSERTION fitting dimensions

Internal thread connection

G, NPT or Rc
in stainless steel (316L - 1.4435) or
brass (CuZn39Pb2)

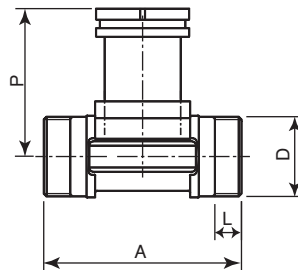


NOTE:
short sensor version

DN	P	A	D	L
[mm]	[mm]	[mm]	[inch]	[mm]
15	80.3	84.0	G 1/2	16.0
			NPT 1/2	17.0
			Rc 1/2	15.0
20	77.8	94.0	G 3/4	17.0
			NPT 3/4	18.3
			Rc 3/4	16.3
25	78.0	104.0	G 1	23.5
			NPT 1	18.0
			Rc 1	18.0
32	81.6	119.0	G 1 1/4	23.5
			NPT 1 1/4	21.0
			Rc 1 1/4	21.0
40	85.4	129.0	G 1 1/2	23.5
			NPT 1 1/2	20.0
			Rc 1 1/2	19.0
50	91.5	148.5	G 2	27.5
			NPT 2	24.0
			Rc 2	24.0

External thread connection

G,
in stainless steel (316L - 1.4435),
brass (CuZn39Pb2),
PVC (only DN6 and DN8)

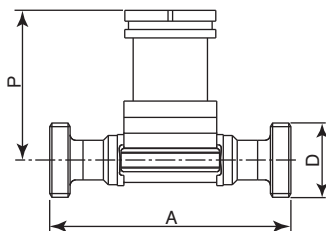


NOTE:
short sensor version

DN	P	A	D		L
[mm]	[mm]	[mm]	[inch]	[mm]	[mm]
06	75.3	90.0	G1/2	-	14.0
08	75.3	90.0	G1/2	-	14.0
15	80.3	84.0	G 3/4	-	11.5
20	77.8	94.0	G 1	-	13.5
25	78.0	104.0	G 1 1/4	-	14.0
32	81.6	119.0	G 1 1/2	-	18.0
40	85.4	129.0	-	M 55 x 2	19.0
50	91.5	148.5	-	M 64 x 2	20.0

External thread connection

SMS 1145,
in stainless steel (316L - 1.4435)



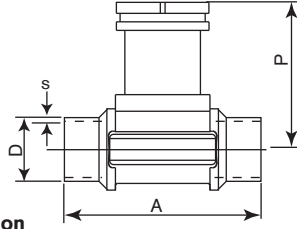
NOTE:
short sensor version

DN	P	A	D
[mm]	[mm]	[mm]	
25	77.8	130	Rd 40 x 1/6"
40	81.6	164	Rd 60 x 1/6"
50	85.4	173	Rd 70 x 1/6"

INSERTION fitting dimensions

Weld ends connection

EN ISO 1127 / ISO 4200, SMS 3008 or
BS 4825 / ASME BPE
in stainless steel (316L - 1.4435)



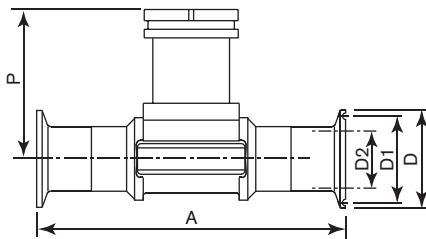
NOTE:
short sensor version

DN	P	A	Standard	D	s
[mm]	[mm]	[mm]		[mm]	[mm]
15	80.3	84.0	EN ISO 1127 / ISO 4200	21.30	1.60
	-	-	SMS 3008	-	-
	-	-	ASME BPE	-	-
20	77.8	94.0	EN ISO 1127 / ISO 4200	26.9	1.60
	83.3	84.0	ASME BPE	19.05	1.65
25	78.0	104.0	EN ISO 1127 / ISO 4200	33.70	2.00
	77.8	94.0	SMS 3008	25.00	1.20
	77.8	94.0	BS 4825 / ASME BPE	25.40	1.65
32	81.6	119.0	EN ISO 1127 / ISO 4200	42.40	2.00
	78.0	104.0	BS 4825 / ASME BPE	32.00	1.65
40	85.4	129.0	EN ISO 1127 / ISO 4200	48.30	2.00
	81.6	119.0	SMS 3008	38.00	1.20
	81.6	119.0	BS 4825 / ASME BPE	38.10	1.65
50	91.5	148.5	EN ISO 1127 / ISO 4200	60.30	2.60
	85.4	128.0	SMS 3008	51.00	1.20
	85.4	128.0	BS 4825 / ASME BPE	50.80	1.65
65	-	-	EN ISO 1127 / ISO 4200	-	-
	91.5	147.0	SMS 3008	63.50	1.60
	91.5	147.0	BS 4825 / ASME BPE	63.50	1.65

Clamp connection

ISO (for pipe EN ISO 1127 / ISO 4200), SMS 3017 / ISO 2852* or
BS 4825 / ASME BPE*
in stainless steel (316L - 1.4435)

* Available with internal surface finish Ra = 0.8 mm



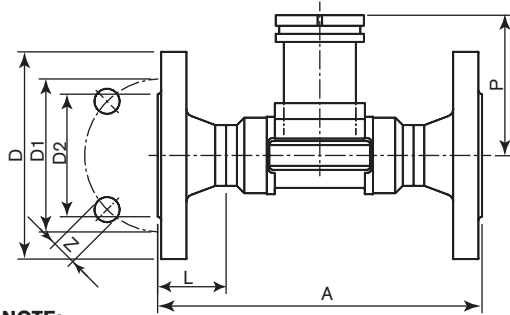
NOTE:
short sensor version

DN	P	A	Standard	D2	D1	D
[mm]	[mm]	[mm]		[mm]	[mm]	[mm]
15	80.3	130	ISO (for pipe EN ISO 1127 / ISO 4200)	18.10	27.5	34.0
	-	-	SMS 3017 / ISO 2852	-	-	-
	-	-	ASME BPE	-	-	-
20	77.8	150	ISO (for pipe EN ISO 1127 / ISO 4200)	23.70	43.5	50.5
	80.3	119	ASME BPE	15.75	19.6	25.0
25	78.0	160	ISO (for pipe EN ISO 1127 / ISO 4200)	29.70	43.5	50.5
	77.8	129	SMS 3017 / ISO 2852	22.60	43.5	50.5
	77.8	129	BS 4825 / ASME BPE	22.10	43.5	50.5
32	81.6	180	ISO (for pipe EN ISO 1127 / ISO 4200)	38.40	43.5	50.5
	-	-	SMS 3017 / ISO 2852	-	-	-
	-	-	BS 4825 / ASME BPE	-	-	-
40	85.4	200	ISO (for pipe EN ISO 1127 / ISO 4200)	44.30	56.5	64.0
	81.6	161	SMS 3017 / ISO 2852	35.60	43.5	50.5
	81.6	161	BS 4825 / ASME BPE	34.80	43.5	50.5
50	91.5	230	ISO (for pipe EN ISO 1127 / ISO 4200)	55.10	70.5	77.5
	85.4	192	SMS 3017 / ISO 2852	48.60	56.5	64.0
	85.4	192	BS 4825 / ASME BPE	47.50	56.5	64.0
65	-	-	ISO (for pipe EN ISO 1127 / ISO 4200)	-	-	-
	91.5	216	SMS 3017 / ISO 2852	60.30	70.5	77.5
	91.5	216	BS 4825 / ASME BPE	60.20	70.5	77.5

INSERTION fitting dimensions

Flange connection

EN1092-1 (ISO PN16), ANSI B16-5-1988 or JIS 10 K
in stainless steel (316L - 1.4435)

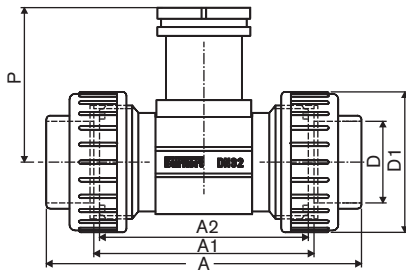


NOTE:
short sensor version

DN	P	A	Standard	L	Z	D2	D1	D
[mm]	[mm]	[mm]		[mm]	[mm]	[mm]	[mm]	[mm]
15	80.3	130	EN	23.5	4x14.0	45.0	65.0	95.0
		130	ANSI		4x15.8	34.9	60.3	89.0
		152	JIS		4x15.0	51.0	70.0	95.0
20	77.8	150	EN	28.5	4x14.0	58.0	75.0	105.0
		150	ANSI		4x15.8	42.9	69.8	99.0
		178	JIS		4x15.0	56.0	75.0	100.0
25	78.0	160	EN	28.5	4x14.0	68.0	85.0	115.0
		160	ANSI		4x15.8	50.8	79.4	108.0
		216	JIS		4x19.0	67.0	90.0	125.0
32	81.6	180	EN	31.0	4x18.0	78.0	100.0	140.0
		180	ANSI		4x15.8	63.5	88.9	117.0
		229	JIS		4x19.0	76.0	100.0	135.0
40	85.4	200	EN	36.0	4x18.0	88.0	110.0	150.0
		200	ANSI		4x15.8	73.0	98.4	127.0
		241	JIS		4x19.0	81.0	105.0	140.0
50	91.5	230	EN	41.0	4x18.0	102.0	125.0	165.0
		230	ANSI		4x19.0	92.1	120.6	152.0
		267	JIS		4x19.0	96.0	120.0	155.0

True union connection

DIN 8063, ASTM D 1785/76 or JIS K in PVC,
DIN 16962 in PP or
ISO 10931 in PVDF



NOTE:
short sensor version

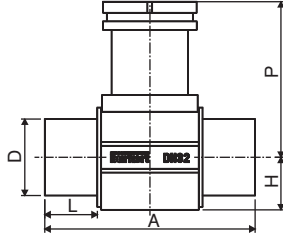
DN	P	A	Standard	A1	A2	D	D1
[mm]	[mm]	[mm]		[mm]	[mm]	[mm]	[mm]
15	80.4	128.0	DIN / ISO	96	90	20.00	43
		130.0	ASTM	96	90	21.30	43
		129.0	JIS	96	90	18.40	43
15*	81.4	148.0	DIN / ISO	116	110	20.00	74
20	77.8	144.0	DIN / ISO	106	100	25.00	53
		145.6	ASTM	106	100	26.70	53
		145.0	JIS	106	100	26.45	53
20*	81.4	154.0	DIN / ISO	116	110	25.00	74
25	78.0	160.0	DIN / ISO	116	110	32.00	60
		161.4	ASTM	116	110	33.40	60
		161.0	JIS	116	110	32.55	60
25*	81.4	160.0	DIN / ISO	116	110	32.00	74
		168.0	DIN / ISO	116	110	40.00	74
		170.0	ASTM			42.20	
		169.0	JIS			38.60	
40	85.2	188.0	DIN / ISO	127	120	50.00	83
		190.2	ASTM			48.30	
		190.0	JIS			48.70	
50	91.5	212.0	DIN / ISO	136	130	63.00	103
		213.6	ASTM			60.30	
		213.0	JIS			60.80	

* Analysis version

INSERTION fitting dimensions

Spigot connection

DIN 8063 in PVC
 DIN 16962 in PP or
 ISO 10931 in PVDF

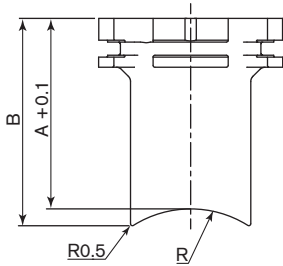


NOTE:
 short sensor version

DN	P	A	Standard	L	D	H
[mm]	[mm]	[mm]		[mm]	[mm]	[mm]
15	80.4	90	DIN 8063	16.5	20	17.5
		85	DIN 16962	14.0		
		85	ISO 10931	14.0		
20	77.8	100	DIN 8063	20.0	25	17.5
		92	DIN 16962	16.0		
		92	ISO 10931	16.0		
25	78.0	110	DIN 8063	23.0	32	21.5
		95	DIN 16962	18.0		
		95	ISO 10931	18.0		
32	81.4	110	DIN 8063	27.5	40	27.5
		100	DIN 16962	20.0		
		100	ISO 10931	20.0		
40	85.2	120	DIN 8063	30.0	50	31.5
		106	DIN 16962	23.0		
		106	ISO 10931	23.0		
50	91.5	130	DIN 8063	37.0	63	39.5
		110	DIN 16962	27.0		
		110	ISO 10931	27.0		

Welding tab with radius

in stainless steel (316L - 1.4435)



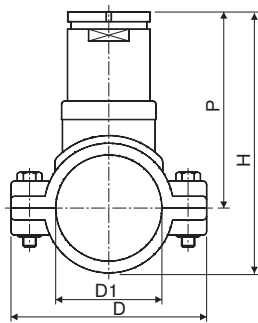
NOTE:
 sensor version:
 - short for DN50 - DN200
 - long for DN250 - DN350

DN [mm]	A [mm]	B [mm]	R [mm]
50	56.6	61.6	30.2
65	54.5	58.6	36.7
80	53.1	56.4	44.5
100	50.7	53.2	57.2
125	48.2	50.3	70.2
150	45.7	47.4	84.2
200	41.0	42.3	109.6
250	73.6	74.7	136.6
300	67.8	68.7	162.0
350	63.9	64.7	177.8

Saddle

in PP

Body material: PP/PVC
 Seal material: EPDM

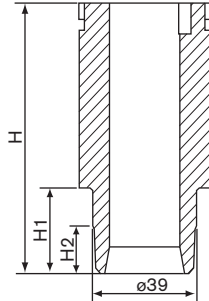


NOTE:
 long sensor version

DN [mm]	P [mm]	H [mm]	D [mm]	D1 [mm]
50	116.0	155	116	63
65	115.0	160	129	75
80	119.0	171	144	90
100	124.0	187	166	110
110	120.0	191	181	125
125	127.0	205	196	140
150	137.0	225	216	160
180	161.0	271	266	200
200	173.0	291	290	225

INSERTION fitting dimensions

Fusion spigot
in PE, PP or PVDF

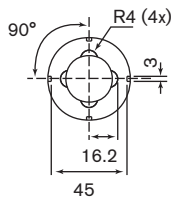
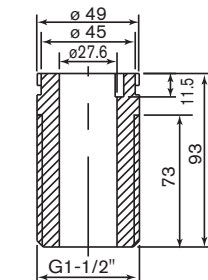


NOTE:
sensor version:
- short for DN65 - DN100
- long for DN150 - DN400

DN [mm]	H [mm]	Materials	H1 [mm]	H2 [mm]
65	72.5	PE	13.0	-
		PP	13.0	-
		PVDF	10.4	-
80	72.5	PE	15.6	-
		PP	15.6	-
		PVDF	12.5	-
100	72.5	PE	19.0	5.0
		PP	19.0	5.0
		PVDF	15.2	6.0
125	102.0	PE	24.2	8.0
		PP	-	-
		PVDF	-	-
150	102.0	PE	27.7	10.0
		PP	27.7	10.0
		PVDF	-	-
200	102.0	PE	38.9	16.0
		PP	38.9	16.0
		PVDF	-	-
250	102.0	PE	48.4	21.0
		PP	48.4	21.0
		PVDF	-	-
300	102.0	PE	54.5	24.0
		PP	54.5	24.0
		PVDF	-	-
350	102.0	PE	61.3	28.0
		PP	61.3	28.0
		PVDF	-	-
400	102.0	PE	69.1	31.5
		PP	-	-
		PVDF	-	-

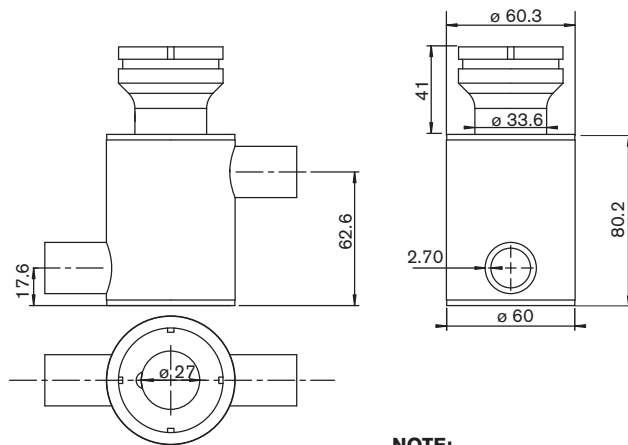
DTS 1000011768 EN Version: T Status: RL (released | freigegeben | validé) printed: 27.10.2010

Screw-on
DN100 to 400
in PVC, PP, PE



NOTE:
long sensor version

Measuring chamber (only for analysis sensor / transmitter version)



NOTE:
Materials: stainless steel 316L
Pipe connection: G 1/2"

Ordering chart for fitting S020

DN6 to DN65

Port connection	Seal	Standard	Item no. DN06 - 1/2"	Item no. DN08 - 1/2"	Item no. DN15	Item no. DN20	Item no. DN25	Item no. DN32	Item no. DN40	Item no. DN50	Item no. DN65
Brass body & stainless steel adaptation part - T-fitting - Temperature max. 160°C, PN16											
Internal thread	FKM	G	-	-	428 712	428 713	428 714	428 715	428 716	428 717	-
		NPT	-	-	428 718	428 719	428 720	428 721	428 722	428 723	-
		Rc (ISO7)	-	-	428 724	428 725	428 726	428 727	428 728	428 729	-
External thread	FKM	G	-	-	428 730	428 731	428 732	428 733	428 734	428 735	-
Stainless steel body & stainless steel adaptation part - T-fitting - Temperature max. 160°C, PN16											
Internal thread	FKM	G	-	-	428 736	428 737	428 738	428 739	428 740	428 741	-
		NPT	-	-	428 742	428 743	428 744	428 745	428 746	428 747	-
		Rc (ISO7)	-	-	428 748	428 749	428 750	428 751	428 752	428 753	-
External thread	FKM	G	552 434	552 432	428 754	428 755	428 756	428 757	428 758	428 759	-
	EPDM	SMS 1145	-	-	-	-	443 317	-	443 318	443 319	-
Weld ends	FKM	EN ISO 1127 / ISO 4200	-	-	428 760	428 761	428 762	428 763	428 764	428 765	-
	EPDM	SMS 3008	-	-	-	-	443 309	-	443 310	443 311	443 944
		BS 4825 / ASME BPE	-	-	-	443 734 ¹⁾	443 735	443 736	443 942	443 943	443 944
Clamp	FKM	ISO (for pipe EN ISO 1127/ISO4200)	-	-	428 766	428 767	428 768	428 769	428 770	428 771	-
	EPDM	SMS 3017 / ISO 2852	-	-	-	-	443 313	-	443 314	443 315	443 969
		SMS 3017 / ISO 2852*	-	-	-	-	443 957	-	443 958	443 959	443 974
		BS 4825 / ASME BPE	-	-	-	443 965 ¹⁾	443 966	-	443 967	443 968	443 969
		BS 4825 / ASME BPE*	-	-	-	443 970	443 971	-	443 972	443 973	443 974
Flange	FKM	EN 1092-1	-	-	428 772	428 773	428 774	428 775	428 776	428 777	-
		ANSI B16-5-1988	-	-	428 778	428 779	428 780	428 781	428 782	428 783	-
		JIS 10K	-	-	431 053	431 054	431 055	431 056	431 057	431 058	-
PVC & PVC adaptation part - T-fitting - Temperature max. 50°C, PN10											
True union	FKM	DIN 8063	-	-	428 670	428 671	428 672	428 673	428 674	428 675	-
		ASTM D 1785/76	-	-	428 682	428 683	428 684	428 685	428 686	428 687	-
		JIS K	-	-	429 078	429 079	429 080	429 081	429 082	429 083	-
Spigot	FKM	DIN 8063	-	-	428 676	428 677	428 678	428 679	428 680	428 681	-
External thread	FKM	G	552 561	550 062	-	-	-	-	-	-	-
Analytical True union	FKM	DIN 8063	-	-	430 837	430 838	430 839	428 673	428 674	428 675	-
PP & PP adaptation part - T-fitting - Temperature max. 80°C, PN10											
True union	FKM	DIN 16962	-	-	428 688	428 689	428 690	428 691	428 692	428 693	-
Spigot	FKM	DIN 16962	-	-	428 694	428 695	428 696	428 697	428 698	428 699	-
Analytical True union	FKM	DIN 16962	-	-	430 840	430 841	430 842	428 691	428 692	428 693	-
PVDF & PVDF adaptation part - T-fitting - Temperature max. 100°C, PN10											
True union	FKM	ISO 10931	-	-	428 700	428 701	428 702	428 703	428 704	428 705	-
Spigot	FKM	ISO 10931	-	-	428 706	428 707	428 708	428 709	428 710	428 711	-
Analytical True union	FKM	ISO 10931	-	-	430 843	430 844	430 845	428 703	428 704	428 705	-

* internal surface finish Ra = 0.8 mm

1) DN20 only available in ASME BPE

Ordering chart for fitting S020

DN50 to DN400

Port connection	Item no. DN50	Item no. DN65	Item no. DN80	Item no. DN100	Item no. DN125	Item no. DN150	Item no. DN200	Item no. DN250	Item no. DN300	Item no. DN350	Item no. DN400
Stainless steel - welding tab with radius - Temperature max. 160°C, PN16											
Welding tabs	418 111	418 112	418 113	418 114	418 115	418 116	418 117	418 756	420 070	416 637	-
PVC - Screw-on fitting - Temperature max. 50°C, PN10											
Screw-on	-	-	-	418 170	418 170	418 170	418 170	-	-	-	-
PVDF - Fusion spigot - Temperature max. 100°C, PN10											
Fusion spigot	-	418 658	418 659	418 660	-	-	-	-	-	-	-
Analysis Fusion spigot	-	418 660	418 660	418 660	-	-	-	-	-	-	-
PE - Fusion spigot or screw-on fitting - Temperature max. 70°C, PN10											
Fusion spigot	-	418 642	418 643	418 644	418 590	418 645	418 646	418 647	418 648	418 649	418 598
Screw-on	-	-	-	436 489	436 489	436 489	436 489	436 489	436 489	436 489	436 489
Analysis Fusion spigot	-	418 644	418 644	418 644	-	-	-	-	-	-	-
PP - Fusion spigot or screw-on fitting - Temperature max. 80°C, PN10											
Fusion spigot	-	418 650	418 651	418 652	-	418 653	418 654	418 655	418 656	418 657	-
Screw-on	-	-	-	436 488	436 488	436 488	436 488	436 488	436 488	436 488	436 488
Analysis Fusion spigot	-	418 652	418 652	418 652	-	-	-	-	-	-	-
Port connection	Seal	Item no. DN50	Item no. DN65	Item no. DN80	Item no. DN100	Item no. DN110	Item no. DN125	Item no. DN150	Item no. DN180	Item no. DN200	
PP/PVC - Saddle - Temperature max. 80°C, PN10 (for PVC or PP pipe)											
Saddle	EPDM	425 138	425 139	425 140	425 141	425 142	425 143	425 144	433 873	425 416	

* internal surface finish Ra = 0.8 mm

1) DN20 only available in ASME BPE

Ordering chart for accessories / spare parts (other versions on request)

Description	Item no.
Stopper with ring, union nut and O-ring	
Stainless steel	438 755
PVC	438 754
PP	627 614
Adaptation part with 4 screws (DN06 to 65)	
Stainless steel	555 484
PVC	561 175
PP	561 176
PVDF	561 177
O-Ring set (DN06 to 65)	
FKM - for metal fitting (5 units)	428 971
EPDM - for metal fitting (5 units)	428 972
FKM - for plastic fitting (1 flat gasket + 1 O-ring)	561 043
EPDM - for plastic fitting (1 flat gasket + 1 O-ring)	561 044
Approvals / Certificates	
3.1 certificate	440 790
2.2 certificate	440 789
3 points calibration certificate (S020 combined with the flow device inserted, only for DN ≤ 200)	550 676
Roughness certificate	444 898
FDA approval	449 788
Measuring chamber	
Stainless steel ¹⁾ 316L	553 611

1) other material on request



Stopper with ring, union nut and O-ring



Adaptation part with 4 screws



O-ring set

Interconnection possibilities with the S020



To find your nearest Bürkert facility, click on the orange box →

www.burkert.com

In case of special application conditions, please consult for advice.

Subject to alteration.
© Christian Bürkert GmbH & Co. KG

1010/9_EU-en_00891872