

FINE CONTROLS (UK) LTD



Fine Controls have been supplying process controls & instrumentation equipment since 1994, & now serves an ever expanding customer base, both in the UK & globally.

We offer a full range of valve & instrumentation products & services, with our product range representing leading technologies & brands:

Flow: Flow Meters & Transmitters, Flow Switches, Flow Control Valves & Batch Control Systems

Temperature: Temperature Probes & Thermowells, Temperature transmitters, Temperature Regulators & Temperature Displays

Level: Level Transmitters & Switches

Pressure: Pressure Gauges & Transmitters, Precision & High Pressure Regulators & I-P Converters, Volume boosters.

Precision Pneumatics: Pressure Regulators, I-P Converters, Volume Boosters, Vacuum Regulators

Valves: Solenoid & Pneumatic Valves, Control Valves & Positioners, Actuated Ball, Globe or Diaphragm Valves & Isolation Valves

Services: Repair, Calibration, Panel Build, System Design & Commissioning

A rotork® Brand
FAIRCHILD



bürkert



SIEMENS



alcon
SOLENOID VALVES

A rotork® Brand



MIDLAND-ACS
A rotork® Brand



Honeywell



Bourdon
Baumer Group



SOLDO
CONTROLS

A rotork® Brand



Fine Controls (UK) LTD, Bassendale Road, Croft Business Park,
Bromborough, Wirral, CH62 3QL UK
Tel: 0151 343 9966
Email: sales@finecontrols.com

2/2-way ball valve with electric rotary actuator, ball valve in stainless steel, DN 10-65



- Suitable for aggressive media
- High flow rate valve
- Actuator with adjustable limit switches
- Visual position indicator

Type 8804 can be combined with...



Type 2672

Metal butterfly valve



Type 2675

Plastic butterfly valve



Type 8804

Plastic ball valve

The electric ball valve Type 8804 consists of an electrical rotary actuator and a 2/2-way or 3/2-way ball valve made of stainless steel. 2-way variants are available with a 2-piece or 3-piece ball valve for various applications. The 3-way version is offered with L or T bore holes (on request). The rotary actuator is compactly built. It can be used also as single device for the operation of other control members (see datasheet Type 3003).

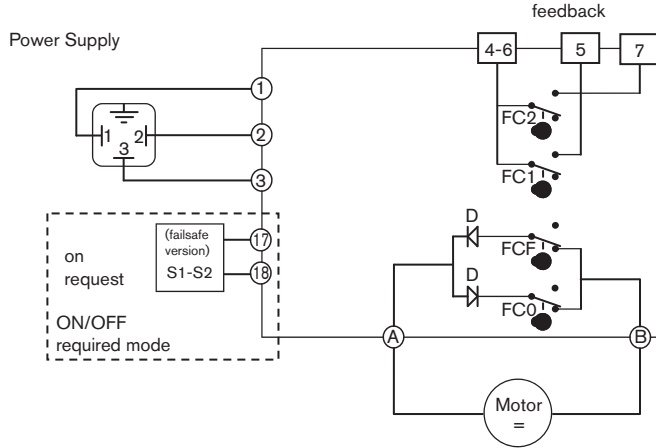
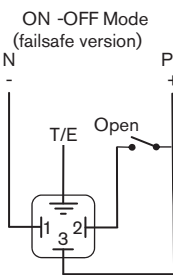
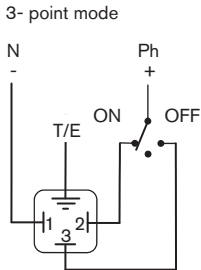
Technical Data	
Body material	Stainless steel 1.4408
Seal material	PTFE
Medium	Gaseous and liquid media, which do not attack the housing and sealing materials
Medium temperature	-10 to +130°C
Ambient temperature	-10 to +55°C
Port connection	-Threaded port G 1/4" to G2 1/2" -Weld end acc. to EN ISO 1127/ISO 4200 (on request)
Operating pressure	0-63 bar: 0-100 bar
Connection between actuator and ball valve	Flange acc. to ISO 5211
Operating voltage	24 V AC/DC, 100-240 V AC / 50-60 Hz (other voltages on request)
Voltage tolerance	DC: +/-20%; AC: +/-10%
Duty rating	At max. torque: 50% of the time
Electrical connection	2 cable glands ISO M20 (cable plug EN175301-803 on request)
Protection class	IP65
Rotation angle	90° (+/-5°)
Rotation time	see ordering chart
Limit switches	4 adjustable - (2 for motor and 2 additional for feedback) max. 230 V / 5A
Elec. actuator material	
Cover	ABS
Body	PA
Axis/Screws	Stainless steel
gearbox	Steel, PC
Installation	Don't mount the actuator upside down

Electrical connection

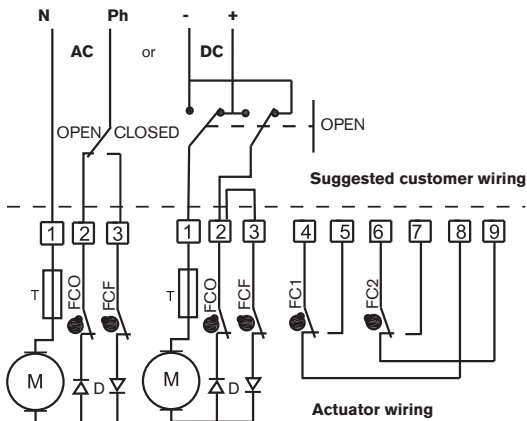
Switch drawings

100-240 V AC/50-60 Hz multi-volt version

Recommended Wiring



24 V AC/DC standard version



Symbol	Description
FCO	Open limit switch
FCF	Close limit switch
FC1	Auxiliary 1 limit switch
FC2	Auxiliary 1 limit switch
M	Motor
T	Thermal fuse

Symbol	Description
D	Diode
C	Capacitor
P	Potentiometer
H	Heating resistor
J7	Heating resistor connection
J8	Potentiometer connector

Ordering chart (further versions on request)

2/2-way ball valve with threaded port connection

Orifice (mm)	Port connection (inches)	Kv-value water (m ³ /h)	Pressure range (bar) 2-piece	Pressure range (bar) 3-pieces	Rotation time for 90° (s)	Voltage	Item no. 2-piece	Item no. 3-piece
10	G 1/4	9	0-100	0-63	20	230 V / 50 Hz	on request	on request
12	G 3/8	13	0-100	0-63	20		on request	on request
15	G 1/2	19	0-100	0-63	20		on request	on request
20	G 3/4	46	0-100	0-63	20		on request	on request
25	G 1	72	0-100	0-63	9	230 V / 50-60 Hz	on request	on request
32	G 1 1/4	105	0-100	0-63	9		on request	on request
40	G 1 1/2	170	0-100	0-63	9		on request	on request
50	G 2	275	0-100	0-63	17		on request	on request
65	G 2 1/2	507	-	0-63	28	024 V/AC DC	on request	on request
10	G 1/4	7	0-100	0-63	20		on request	on request
12	G 3/8	9	0-100	0-63	20		on request	on request
15	G 1/2	19	0-100	0-63	20		on request	on request
20	G 3/4	46	0-100	0-63	20		on request	on request
25	G 1	72	0-100	0-63	9		on request	on request
32	G 1 1/4	105	0-100	0-63	9		on request	on request
40	G 1 1/2	170	0-100	0-63	9		on request	on request
50	G 2	275	0-100	0-63	17	on request	on request	
65	G 2 1/2	507	-	0-63	28	on request	on request	

i Further versions on request



Voltage
Non-standard voltages



Electrical connection
Cable plug acc. to EN 175301-803



Port connection
3 piece ball valves also versions with NPT thread



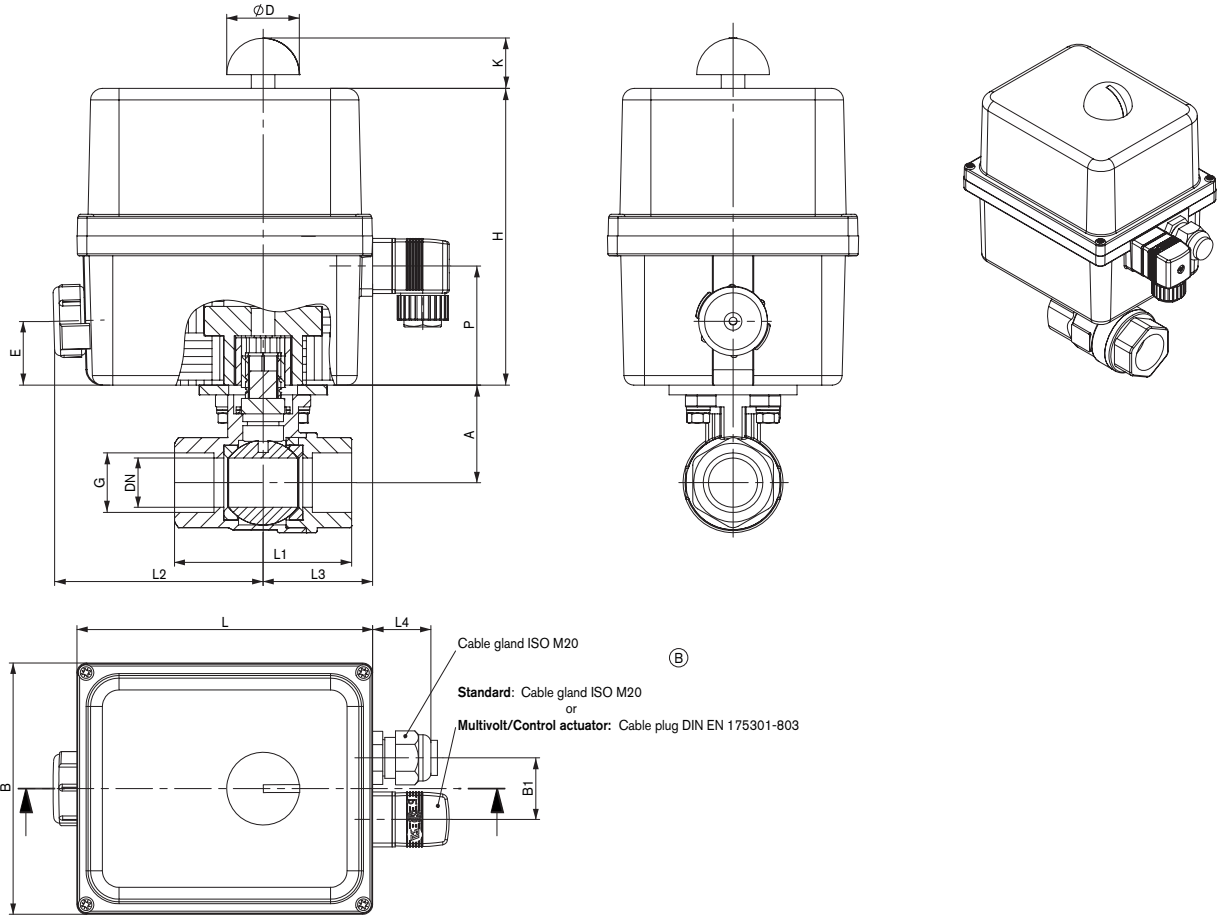
Additional
Positioner card with normal signal input 4-20 mA or 0-10 V
Feedback through Potentiometer or 4-20 mA analog signal
Slow rotation version
3-position actuator (90° or 180°)
Heating resistor 10 W

Accessories

Description	Item no.
Key for adjustment of limit switches	665 296

Dimensions [mm]

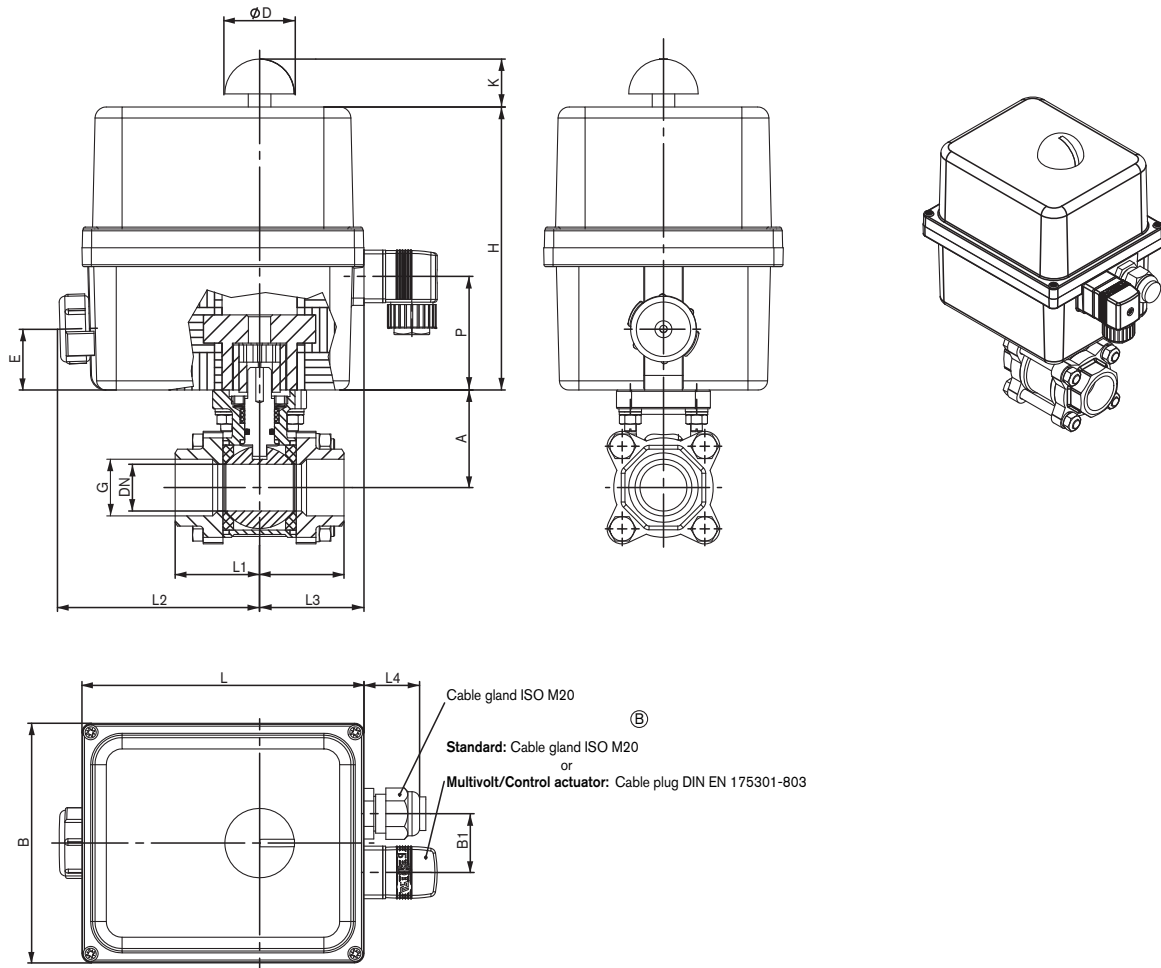
Ball Valve, 2-piece



Actuator	DN	G	A	B	B1	ØD	E	H	K	L	L1	L2	L3	L4	P
20Nm	10.0	1/4"	33.2	91.7	30.0	37.1	23.5	123.7	24.5	136.5	50.0	103.6	45.4	29.7	47.0
	13.0	3/8"	33.2								60.0				
	15.0	1/2"	35								75.0				
	20.0	3/4"	41								80.0				
35-100Nm	10.0	1/4"	44.2	127.7	31.3	37.1	32.5	150.8	25.5	150.3	50.0	106.3	55.7	29.7	60.5
	13.0	3/8"	44.2								60.0				
	15.0	1/2"	46.0								75.0				
	20.0	3/4"	41.0								80.0				
	25.0	1"	44.5								90.0				
	32.0	1 1/4"	49.5								110.0				
	40.0	1 1/2"	55.0								120.0				
	50.0	2"	66.5								140.0				
65.0	2 1/2"	101.0	185.0												

Dimensions [mm]

Ball Valve, 3-piece



Actuator	DN	G	A	B	B1	ØD	E	H	K	L	L1	L2	L3	L4	P
20Nm	10	1/4"	40	91.7	30.0	37.1	23.5	123.7	24.5	136.5	65	103.6	45.4	29.7	47.0
	12	3/8"									75				
	15	1/2"									80				
	20	3/4"									80				
35-100Nm	10	1/4"	40	127.7	31.3	37.1	32.5	150.8	25.5	150.3	65	106.3	55.7	29.7	60.5
	12	3/8"									75				
	15	1/2"									80				
	20	3/4"									90				
	25	1"									110				
	32	1 1/4"									120				
	40	1 1/2"									140				
	50	2"									185				
65	2 1/2"	185													

Note
You can fill out the fields directly in the PDF file before printing out the form.

Ball valve and butterfly valve - Request for quotation

▶ Please fill out and send to your nearest Bürkert facility* with your inquiry or order

Company	Contact person
Customer No	Department
Address	Tel./Fax
Postcode/Town	E-mail

Quantity Required delivery date

Operating data

Pipeline DN PN

Pipe material

Process medium

Type of media Liquid Steam Gas

	Min	Standard	Max	Unit
Flow rate (Q, Q _N , W) ¹⁾	<input type="text"/>	<input type="text"/>	<input type="text"/>	<input type="text"/>
Media temperature	<input type="text"/>	<input type="text"/>	<input type="text"/>	<input type="text"/>
Operating pressure	<input type="text"/>	<input type="text"/>	<input type="text"/>	<input type="text"/>

¹⁾Standard unit
Liquid Q = m³/h; Steam W = Kg/h; Gas Q_N = Nm³/h

Valve features

Type 2/2-way ball valve 3/2-way ball valve L-Boring 3/2-way ball valve T-Boring Butterfly valve

Body material Stainless steel⁴⁾ PVC-C PVC-U PP PVDF other

Seal material PTFE/EPDM²⁾ PTFE/FKM²⁾ EPDM³⁾ FKM³⁾ other

Nominal pressure PN

Orifice DN

Type of connection Flange True union Welded Int. thread Ext. thread Clamp

Standard connection ISO DIN ANSI JIS other

Pilot pressure min. max.

²⁾ for plastic ball valve ³⁾ for butterfly valves ⁴⁾ Stainless steel ball valve with PTFE seal material only

Mode of actuation

Manual

Pneumatic

Control function A: NC by spring action

Double-acting

Electric actuator

Function On/Off function Control actuator with analog signal input

Power supply 230 V AC 24 V AC 24 V DC other

To find your nearest Bürkert facility, click on the orange box → www.burkert.com

DTS 1000082140 EN Version: M validé printed: 15.04.2011 Status: RL (released | freigegeben |