

# FINE CONTROLS (UK) LTD



Fine Controls have been supplying process controls & instrumentation equipment since 1994, & now serves an ever expanding customer base, both in the UK & globally.

We offer a full range of valve & instrumentation products & services, with our product range representing leading technologies & brands:

**Flow:** Flow Meters & Transmitters, Flow Switches, Flow Control Valves & Batch Control Systems

**Temperature:** Temperature Probes & Thermowells, Temperature transmitters, Temperature Regulators & Temperature Displays

**Level:** Level Transmitters & Switches

**Pressure:** Pressure Gauges & Transmitters, Precision & High Pressure Regulators & I-P Converters, Volume boosters.

**Precision Pneumatics:** Pressure Regulators, I-P Converters, Volume Boosters, Vacuum Regulators

**Valves:** Solenoid & Pneumatic Valves, Control Valves & Positioners, Actuated Ball, Globe or Diaphragm Valves & Isolation Valves

**Services:** Repair, Calibration, Panel Build, System Design & Commissioning

A rotork® Brand  
**FAIRCHILD**



**bürkert**



**SIEMENS**



**alcon**  
SOLENOID VALVES

A rotork® Brand



**MIDLAND-ACS**  
A rotork® Brand



**Honeywell**



**Bourdon**  
Baumer Group



**SOLDO**  
CONTROLS

A rotork® Brand



Fine Controls (UK) LTD, Bassendale Road, Croft Business Park,  
Bromborough, Wirral, CH62 3QL UK  
Tel: 0151 343 9966  
Email: sales@finecontrols.com



Type 8750 can be combined with...



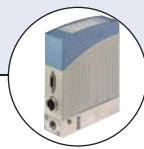
**System ELEMENT**

Valve system



**Type 8644**

Valve island



**MFC 8712**

Mass Flow Controller



**Type 8400**

Temperature sensor

## Flow Rate Controller, flow control system for gases

- Reliable and robust system
- Reduced interfaces
- Orifice plate and actuator in one
- Easy operation
- Fit for stand-alone operation

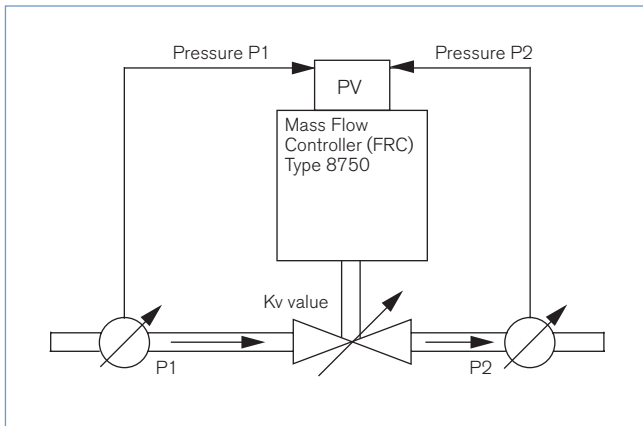
The flow rate controller, Type 8750, is a system to measure and control gases using the differential pressure principle. The reliable and robust system consists of an ELEMENT continuous control valve, Type 2301, with the compact process controller Type 8693 and two pressure transmitters, Type 8323. These components are supplied within an assembled system including a special body.

The Bürkert flow rate controller does not need a separate flow meter. The control valve serves as orifice plate. From the pressure difference across the valve and the given density and temperature a nominal flow can be calculated. Therefore the flow characteristics of the valve are given to the process controller. The volume flow can then be adjusted by changing the stroke of the control valve. So all components of the control loop build an integrated system.

The flow rate controller offers a high repeatability and large measuring range. With the combination of orifice plate and control valve the pressure drop is reduced in comparison to conventional solutions. With the variable orifice of the control valve the measurement range is increased. Low assembly costs and easy commissioning are further advantages of this unique system.

Technical Data	
<b>Complete system</b>	
<b>Port size</b>	DN15 to 100
<b>Media</b>	Air, Nitrogen, Carbondioxide, other gases
<b>Media temperature</b>	0 to 80 °C
<b>Ambient temperature</b>	0 to 55 °C
<b>Control media</b>	Instrument air acc. to DIN ISO 8573-1
<b>Supply pressure</b>	5.6-7 bar
<b>Pilot air ports</b>	Threaded ports G 1/8 stainless steel
<b>Process connection</b>	Flange connection acc. to DIN EN 1092-1 other connections on request
<b>Process controller</b>	
<b>Power supply</b>	24 V DC +/- 10%
<b>Ripple</b>	10%; no technical direct current
<b>Electrical connection</b>	Power supply: circular connector M12x1, 4-pins In/output signal: circular connector M12x1, 8-pins / Bus Internal: circular connector M8x1, 4-pins
<b>Protection class</b>	IP65 / IP67 acc. to EN 60529
<b>Bus communication</b>	Profibus DPV1, DeviceNet
<b>Pressure transmitter</b>	
<b>Measurement range</b>	0-100 mbar to 0-16 bar (standard: 0-10 bar)
<b>Measurement principle</b>	Piezoresistive
<b>Measurement error</b>	<= 0,5% of full scale
<b>Materials</b>	
<b>Body</b>	Stainless Steel
<b>Actuator housing</b>	PPS, Stainless Steel
<b>Process controller</b>	PPS, Stainless Steel
<b>Pressure transmitter housing</b>	Stainless Steel
<b>Seal Seat</b>	PTFE, Stainless Steel on request
<b>Packing</b>	PTFE-V-Seals
<b>Sensor body</b>	Stainless steel

FRC Schematic



Determination of  $k_v$  values

Pressure drop	$k_v$ value for gas [m <sup>3</sup> /h]
Subcritical $p_2 > \frac{p_1}{2}$	$= \frac{Q_N}{514} \sqrt{\frac{T_1 \rho_N}{p_2 \Delta p}}$
Supercritical $p_2 < \frac{p_1}{2}$	$= \frac{Q_N}{257 p_1} \sqrt{T_1 \rho_N}$

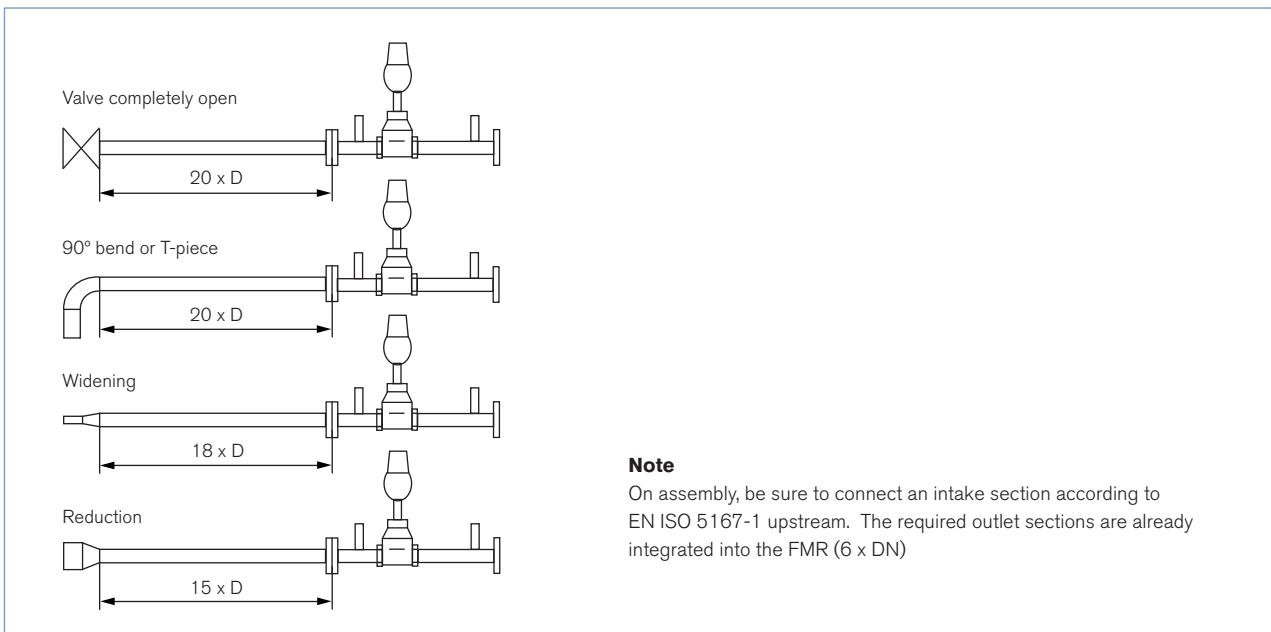
- $k_v$  Flow coefficient [m<sup>3</sup>/h]<sup>6)</sup>
- $Q_N$  Standard flow rate [m<sup>3</sup>/h]<sup>7)</sup>
- $p_1$  Inlet pressure [bar]<sup>8)</sup>
- $p_2$  Outlet pressure [bar]<sup>8)</sup>
- $\Delta p$  Differential pressure  $p_1 - p_2$  [bar]
- $\rho$  Density [kg/m<sup>3</sup>]
- $\rho_N$  Standard density [kg/m<sup>3</sup>]
- $T_1$  Temperature of medium [(273+t)K]

<sup>6)</sup> measured for water at 20°C,  $\Delta p = 1$  bar, via the device

<sup>7)</sup> Standard conditions at 1.013 bar and 0 °C (273K)

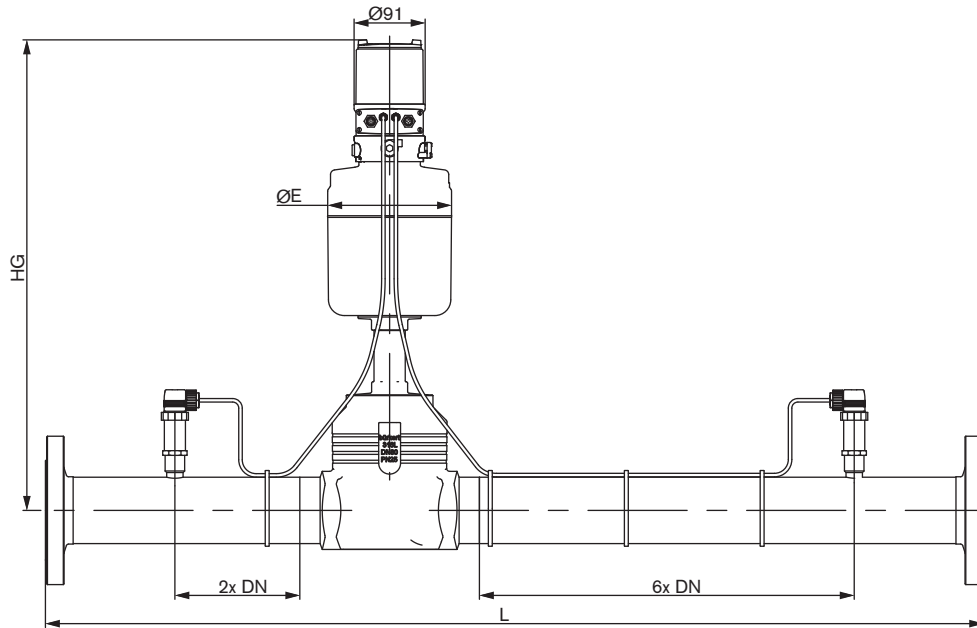
<sup>8)</sup> Absolute pressure

Intake section according to EN ISO 5167-1



For highest precision consider the intake sections according to EN ISO 5167-1, the outlet section is integrated in the body .

## Dimensions [mm]



DN (Port connection) [mm]	Actuator size	L[mm]	HG[mm]	Ø E[mm]
15	Ø70	330	383	91
25	Ø70	500	392	91
40	Ø90	700	478	120
50	Ø130	800	536	159
65	Ø130	1000	590	159
80	Ø130	1200	598	159
100	Ø130	1400	608	159

## Ordering chart for valves

### Flange acc. to DIN EN 1092-1, PTFE seal

Port size [mm]	Seat DN [mm]	Actuator size	Kvs value	Pressure range	Air flow rate at p1=6 and p2=3 bar(g)		Item no.
					Qmax [Nm <sup>3</sup> /h]	Qmin [Nm <sup>3</sup> /h]	
DN15	15	M (70mm)	4.3	0 - 10 bar	350	20	280 436
DN25	25	M (70mm)	12.0	0 - 10 bar	900	40	280 437
DN40	40	N (90mm)	17.5	0 - 10 bar	1300	70	280 438
DN50	50	P (130mm)	37.0	0 - 10 bar	2900	120	280 439
DN65	65	P (130mm)	65.0	0 - 10 bar	5500	200	280 440
DN80	80	P (130mm)	100	0 - 10 bar	8500	350	280 441
DN100	100	P (130mm)	140	0 - 6 bar	12000	500	280 442

<sup>1)</sup> Kvs represents the maximum flow capacity of a control valve series. The Kv value [m<sup>3</sup>/h] is measured to DIN EN 60534-2-3 with water (5 - 40 °C) and a pressure drop of 1 bar over the valve.

<sup>2)</sup> The air flow rates mentioned above are given as a reference. The values refer to air with a temperature of 20 °C. The condition for the min. and max. limits is determined at 10 and 90% positions and turbulent air flow.

#### Note

Please ask for advice when sizing the flow rate controller FRC. Contact your local sales centre



### Further versions on request

- Port connection
- Seat reductions
- Reduced pressure range
- Sealing Steel/Steel
- Communication via Fieldbus

Specification code for Flow Controller Type 8750

**Example** 8750 - 040,0 - 032,0 - FD26 - EE - A - N - P - AG - S - B

**Specifications key**

8750	-		-		-		-		-		-		-		-		-		-	
------	---	--	---	--	---	--	---	--	---	--	---	--	---	--	---	--	---	--	---	--

**Pipe size [mm] (connection DNA)**

15.0
25.0
40.0
50.0
65.0
80.0
100.0

**Orifice [mm] (DN)**

Port connection	Std.	1st Reduction	2nd Reduction
DN 15	15.0	10.0	08.0
DN 25	25.0	20.0	15.0
DN 40	40.0	32.0	25.0
DN 50	50.0	40.0	32.0
DN 65	65.0	50.0	40.0
DN 80	80.0	65.0	50.0
DN 100	100.0	80.0	65.0

**Line connection**

Port connection	Flange			Weld end	
	EN-1092 f-f DIN3202	ANSI ASME B16.5 f-f ISA S75.03	JIS 10K, B2238 f-f JIS B2002 S20	ISO 4200	DIN 11850 S2
DN 15	FD22	FA02 <sup>1)</sup>	FJ01 <sup>1)</sup>	SA42 <sup>1)</sup>	SD42 <sup>1)</sup>
DN 25	FD24	FA04 <sup>1)</sup>	FJ03 <sup>1)</sup>	SA44 <sup>1)</sup>	SD44 <sup>1)</sup>
DN 40	FD26	FA06 <sup>1)</sup>	FJ05 <sup>1)</sup>	SA46 <sup>1)</sup>	SD46 <sup>1)</sup>
DN 50	FD27	FA07 <sup>1)</sup>	FJ06 <sup>1)</sup>	SA47 <sup>1)</sup>	SD47 <sup>1)</sup>
DN 65	FD28	FA08 <sup>1)</sup>	FJ07 <sup>1)</sup>	SA48 <sup>1)</sup>	SD48 <sup>1)</sup>
DN 80	FD29	FA09 <sup>1)</sup>	FJ08 <sup>1)</sup>	SA49 <sup>1)</sup>	SD49 <sup>1)</sup>
DN 100	FD30	FA10 <sup>1)</sup>	FJ09 <sup>1)</sup>	SA39 <sup>1)</sup>	SD50 <sup>1)</sup>

<sup>1)</sup>auf Anfrage

**Seal material**

SS	steel/steel
EE	PTFE/steel

**Control function**

A	spring closed (NC)
B	spring open (NO)

**Software feedback**

O	Not specified
F	1 binary input + 1 analogue output + 2 binary outputs

**Communication**

O	without (serial interface)
Y	Profibus-DP-V1
D	Device Net

**Max. medium pressure (Pmax)**

AA	0 - 0.100	bar (g)
AB	0 - 0.160	bar (g)
AC	0 - 0.250	bar (g)
AD	0 - 1	bar (g)
AE	0 - 2.5	bar (g)
AF	0 - 6	bar (g)
AG	0 - 10	bar (g)
AH	0 - 16	bar (g)
AJ	0 - 25 <sup>1)</sup>	bar (g)
V1	0 - 1	bar (abs)

<sup>1)</sup> on request

**Sensor types - process values**

P	pressure before and after
---	---------------------------

**Actuator size**

Port connection	
DN 15	M (70 mm)
DN 25	M (70 mm)
DN 40	N (90 mm)
DN 50	P (130 mm)
DN 65	P (130 mm)
DN 80	P (130 mm)
DN 100	P (130 mm)

DTS 1000089368 EN Version: I Status: RL (released | freigegeben | validé) printed: 22.09.2017

**Note**

You can fill out the fields directly in the PDF file before printing out the form.

**Specification sheet for Type 8750**

▶ Please fill out and send to your local Bürkert Sales Centre\* with your inquiry or order

Company	Contact person
Customer no.	Department
Address	Tel./Fax
Postcode/Town	E-Mail

= mandatory fields to fill out       Quantity       Required delivery date

### Operating data

Site of control

Measuring and control task

Pipeline DN  PN

Pipe material

Process medium

Type of media  Gas

Standard density  Kg/Nm<sup>3</sup>

	Min	Standard	Max	Unit
<input checked="" type="checkbox"/> Flow rate (QN [Nm <sup>3</sup> /h]) <sup>2)</sup>	<input type="text"/>	<input type="text"/>	<input type="text"/>	<input type="text"/>
<input checked="" type="checkbox"/> Temperature at valve inlet T1	<input type="text"/>	<input type="text"/>	<input type="text"/>	<input type="text"/>
<input checked="" type="checkbox"/> Absolute pressure at valve inlet P1	<input type="text"/>	<input type="text"/>	<input type="text"/>	<input type="text"/>
<input checked="" type="checkbox"/> Absolute pressure at valve outlet P2	<input type="text"/>	<input type="text"/>	<input type="text"/>	<input type="text"/>

<sup>2)</sup> standard unit  
Liquid Q = m<sup>3</sup>/h; Steam W = Kg/h; Gas QN = Nm<sup>3</sup>/h

### Valve features

Standard connection (flange)  DIN     ANSI     JIS     other Versions

Seat sealing material  Metal     PTFE

Function  NC <sup>3)</sup>     NO <sup>3)</sup>

Max. sound level accepted  dB (A)

Pilot pressure  min.       max.

<sup>3)</sup> NC: resting position with spring closed; SFB: resting position with spring open

### Controller features

Communication

Analogue signals for setpoint/output

Input    0/4 - 20 mA / 0 - 5/10V + 1 Binary input

Output    0/4 - 20 mA / 0 - 5/10V + 2 Binary output

**OR**

Fieldbus

Profibus DP-V1

Device Net

### Pressure measurement

Measuring range

0 - 100 mbar

0 - 160 mbar

0 - 250 mbar

0 - 1 bar

0 - 2.5 bar

0 - 6 bar

0 - 10 bar

0 - 16 bar

0 - 25 bar

0 - 1 bar (absolute)

other range  
max. media pressure:  bar

\*To find your nearest Bürkert facility, click on the orange box → [www.burkert.com](http://www.burkert.com)