

FINE CONTROLS (UK) LTD



Fine Controls have been supplying process controls & instrumentation equipment since 1994, & now serves an ever expanding customer base, both in the UK & globally.

We offer a full range of valve & instrumentation products & services, with our product range representing leading technologies & brands:

Flow: Flow Meters & Transmitters, Flow Switches, Flow Control Valves & Batch Control Systems

Temperature: Temperature Probes & Thermowells, Temperature transmitters, Temperature Regulators & Temperature Displays

Level: Level Transmitters & Switches

Pressure: Pressure Gauges & Transmitters, Precision & High Pressure Regulators & I-P Converters, Volume boosters.

Precision Pneumatics: Pressure Regulators, I-P Converters, Volume Boosters, Vacuum Regulators

Valves: Solenoid & Pneumatic Valves, Control Valves & Positioners, Actuated Ball, Globe or Diaphragm Valves & Isolation Valves

Services: Repair, Calibration, Panel Build, System Design & Commissioning

A rotork® Brand
FAIRCHILD



bürkert



SIEMENS



alcon
SOLENOID VALVES

A rotork® Brand



MIDLAND-ACS
A rotork® Brand



Honeywell



Bourdon
Baumer Group



SOLDO
CONTROLS

A rotork® Brand

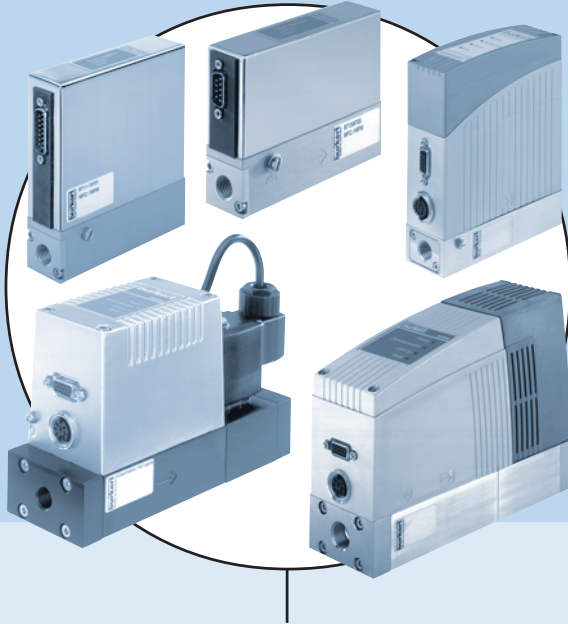


Fine Controls (UK) LTD, Bassendale Road, Croft Business Park,
Bromborough, Wirral, CH62 3QL UK
Tel: 0151 343 9966
Email: sales@finecontrols.com

Operating Instructions

Bedienungsanleitung
Instructions de Service

MAN 1000011173 ML Version: L Status: RL (released | freigegeben) printed: 14.12.2009



Types 8626 / 8710 / 8711 / 8712 / 8713 / 8716
Mass Flow Controller (MFC)

Types 8006 / 8700 / 8701 / 8702 / 8703 / 8706
Mass Flow Meter (MFM)

MAN 1000011173 ML Version: L Status: RL (released | freigegeben) printed: 14.12.2009

We reserve the right to make technical changes without notice.
Technische Änderungen vorbehalten.
Sous réserve de modification techniques.

© 2002 Bürkert Werke GmbH & Co. KG

Operating Instructions 00702/10_EU-ml_00804577

**MassFlowController (MFC)
Types 8626 / 8710 / 8711 / 8712 / 8713 / 8716****MassFlowMeter (MFM)
Types 8006 / 8700 / 8701 / 8702 / 8703 / 8706**

GENERAL NOTES	5
Symbols	5
Safety notes	5
Protection from damage by electrostatic charging	6
Scope of delivery	6
Warranty conditions	6
SYSTEM DESCRIPTION	7
Type systematics	7
General function	8
Sensors	9
Thermal measurement principle	9
Inline sensor (Types 8626 / 8006 / 8716 / 8706)	10
Bypass sensor in conventional technology "capillary" (Types 8710 / 8700)	11
Bypass sensor in CMOSens® technology (Types 8713 / 8703 / 8712 / 8702 / 8711 / 8701)	12
Control electronics	13
Proportional valve	14
TECHNICAL DATA	17
Type 8626 / 8006 MASS FLOW INLINE	18
Type 8710 / 8700 MASS FLOW CMOSens®	19
Type 8711 / 8701 MASS FLOW CMOSens®	20
Type 8712 / 8702 MASS FLOW CMOSens®	21
Type 8713 / 8703 MASS FLOW CMOSens®	22
Type 8716 / 8706 MASS FLOW INLINE	23

ASSEMBLY, INSTALLATION AND COMMISSIONING	24
Dimensional drawings	24
General notes on installation and operation	28
Operation with additional isolation valve	29
Mechanical and fluidic installation	29
Fluidic connections	29
Assembly of clamping ring screw joints	30
Electrical connections	30
Connection configuration Type 8626 / 8006	31
Connection configuration Type 8710 / 8700	32
Connection configuration Type 8711 / 8701	33
Connection configuration Type 8712 / 8702	34
Connection configuration Type 8713 / 8703	35
Connection configuration Type 8716 / 8706	36
Inputs / outputs	37
Setpoint input	37
Process value output	37
Bus connection	38
LEDs to indicate the operating mode (default configuration)	38
Binary inputs (default configuration)	38
Binary outputs (default configuration)	39
Applicationspecific settings of binary inputs and outputs	39
Operating modes of the MFC	41
Standard control operation	41
Autotune routine	41
Safety function	42
Setpoint profile	42
Control operation	42
Operating modes of the MFC	43
MAINTENANCE	44
MALFUNCTION / TROUBLESHOOTING	45
APPENDIX A: ACCESSORIES (ELECTRICAL)	47
APPENDIX B: ACCESSORIES (FLUIDIC)	48
APPENDIX C: MassFlowCommunicator (PC SOFTWARE)	49

GENERAL NOTES

Symbols

The following symbols are used in these operating instructions:



marks a work step that you must carry out.



ATTENTION!

marks notes on whose non-observance your health or the functioning of the device will be endangered.



NOTE

marks important additional information, tips and recommendations.

Use according to the instruction



ATTENTION!

The use according to the instructions especially includes the media quality. Contaminated media and media containing particles influences the accuracy. Liquid media entering the sensor area, can affect the sensor and the function of the MFC / MFM.

In this cases you have to install applicable maintenance units like filters, liquid precipitators etc..

The device only must be used with the parameters specified in the chapter "Technical Data" and on the device label.

Read the chapter of the operating instructions very carefully an pay attention to the requirements in the safety notes.

Follow the instructions in the single chapters and observe the safety notes. Not following the instructions and the safety notes, causes a lapse of liability claim.

Safety notes



- Keep to standard engineering rules in planning the use of and operating the device!
- Installation and maintenance is only allowed by specialist personnel using suitable tools!
- Observe the current regulations on accident prevention and safety for electrical devices during operation and maintenance of the device!
- Before interfering with the system, always switch off the voltage!
- Take suitable precautions to prevent unintended operation or damage by unauthorized action!
- On non-observance of this note and unauthorized interference with the device, we will refuse all liability and the guarantee on device and accessories will become void!

Protection from damage by electrostatic charging



ATTENTION
EXERCISE CAUTION ON
HANDLING!
ELECTROSTATICALLY
SENSITIVE COMPONENTS/
MODULES

This device contains electronic components that are sensitive to electrostatic discharge (ESD). Contact to electrostatically charged persons or objects will endanger these components. In the worst case, they will be immediately destroyed or will fail after commissioning.

Observe the requirements of EN 100 015 - 1 in order to minimize the possibility of, or avoid, damage from instantaneous electrostatic discharge. Also take care not to touch components that are under supply voltage.

Scope of delivery

Immediately after receipt of the delivery, make sure the contents agree with the stated scope of delivery. The latter comprises:

- MFC or MFM Type 8626, 8006 or 87xx
- Operating Instructions (possibly on data carrier)
- in the case of bus devices, supplements to the Operating Instructions (possibly on data carrier)
- Report of final testing / calibration

The plug connectors matching the electrical interfaces of the MFC may be obtained as accessories.

In case of irregularities, please contact at once our Customer Center:

Bürkert Fluid Control Systems
Customer Center
Chr.-Bürkert-Str. 13-17
D-76453 Ingelfingen
Tel.: (+49)7940-10111
Fax: (+49)7940-10448
E-mail: info@de.buerkert.com

or your Bürkert Distributor.

Warranty conditions

Bürkert grants a warranty on the proper functioning of the MFC or MFM for one year, provided that the device is used as intended and that the specified conditions for use are complied with.

If the device does not function perfectly, it will be repaired or exchanged within the warranty term free of charge.



ATTENTION!

The warranty extends only to the MFC or MFM and its components, not however to consequential damage of any kind caused by failure or malfunction of the device.

SYSTEM DESCRIPTION

Type systematics

These Operating Instructions contain information for the following Mass Flow Controllers (MFC) and Mass Flow Meters (MFM) from the Bürkert product range:

Type no.	Type	End value range Q_{nom} (l _N /min) referred to air / N ₂	Sensor	Remarks
8626	MFC	25 ... 1500	Inline	for devices from Jan. 2003 ¹⁾
8006	MFM	25 ... 1500	Inline	for devices from Jan. 2003 ¹⁾
8716	MFC	25 ... 500	Inline	
8706	MFM	25 ... 1500	Inline	
8713	MFC	0.02 ... 50	Bypass / CMOSens ^{®2)}	
8703	MFM	0.02 ... 50	Bypass / CMOSens [®]	
8712	MFC	0.02 ... 50	Bypass / CMOSens [®]	
8702	MFM	0.02 ... 50	Bypass / CMOSens [®]	
8711	MFC	0.02 ... 50	Bypass / CMOSens [®]	
8701	MFM	0.02 ... 50	Bypass / CMOSens [®]	
8710	MFC	0.005 ... 1	Bypass / Capillary	
8700	MFM	0.005 ... 1	Bypass / Capillary	

¹⁾ Please observe in this connection the note on the device types 8626 / 8006 in the section *Connection Configuration Type 8626/8006*.

²⁾ CMOSens[®] is a registered trademark of Sensirion AG (Switzerland)

General function

The MFCs of Types 8626 / 8716 / 8713 / 8712 / 8711 / 8710 are compact devices with which the mass flow of gases is controlled. They control to a preset setpoint value, independent of disturbances such as pressure variations or flow resistances that vary with time, e.g. as a result of filter contamination.

The MFCs contain the components flow rate sensor (Q sensor), electronics (with the functions signal processing, control and valve drive), and a proportional solenoid valve as the servo component.

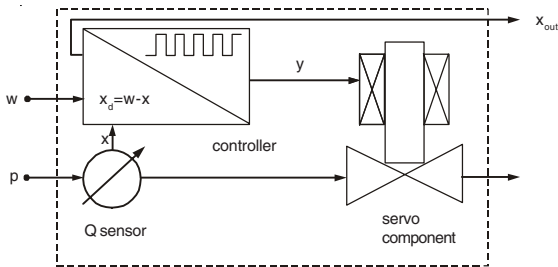


Fig.: Components of a Mass Flow Controller

The setpoint value (w) is set electrically via a standard signal or a field bus. The process value (x) measured by the sensor is compared in the controller with the setpoint value. The correcting variable is sent as a plus-width modulated voltage signal to the servo component. The pulse-duty factor of the voltage signal is varied according to the control deviation determined.

The process value, in addition, is sent out via an analog electrical interface or a field bus and is available to the user for monitoring purposes or further evaluation (e.g. calculation of consumption by integration).

The thermal measurement principle guarantees that the MFCs control to the required mass flow to a large extent independently of pressure and temperature variations in the respective application.

The MFMs, in contrast to the corresponding MFCs, do not have a proportional valve, so that these devices can only be used to measure the mass flow and not to control it. The characteristics of the other components, described in the following, in particular the sensors, are identical with those of the MFCs.

Sensors

Thermal measurement principle

The flow sensors employed work on a thermal (anemometer) measurement principle.

They measure in each case the product of density and flow velocity and thus deliver a signal related to the quantity of material flowing. For most applications the relevant quantity **mass flow** is directly determined thereby, without additional measurement of secondary quantities, such as density, and the signal can be further processed in the controller as the process value¹⁾.

Depending on the flow rate range and the intended market for the devices, the individual types contain sensors with three different variants of flow rate measurement. In the following, the functioning and associated characteristics of these sensors are briefly described.



NOTE

Please take into account that the relative sensitivity for different gases differs for the three measurement principles and any correction factors existing for one operating gas to another are in no case transferable between sensor variants.

¹⁾ It is true that the units generally used for characterizing the measurement range, „l_N/min“ or „m_N³/h“, have the dimensions "volume/time", but because of the reference to a standard state (here p=1013 mbar and T=273 K), we are actually dealing with mass flow rates specific to gas types. These are obtained (e.g. in „kg/h“) by multiplication of the standard volumetric flow rate by the density of the operating gas in the standard state ρ_N.

Inline sensor (Types 8626 / 8006 / 8716 / 8706)

This sensor works as a hot-film anemometer in the so-called CTA (*Constant Temperature Anemometer*) mode. Two resistors with exactly defined temperature coefficients in the medium flow form a resistance bridge with three resistors situated outside the flow.

The first resistor in the medium flow (R_T) measures the fluid temperature; the second, lower resistance resistor (R_S) is always heated to maintain its temperature a certain amount above that of the medium. The heating current required is a measure of the heat dissipation by the flowing gas and represents the primary measurement value.

Suitable flow conditioning inside the MFC or MFM and calibration with high-quality flow standards guarantee that the quantity of gas flowing per unit time can be derived with high precision from the primary signal.

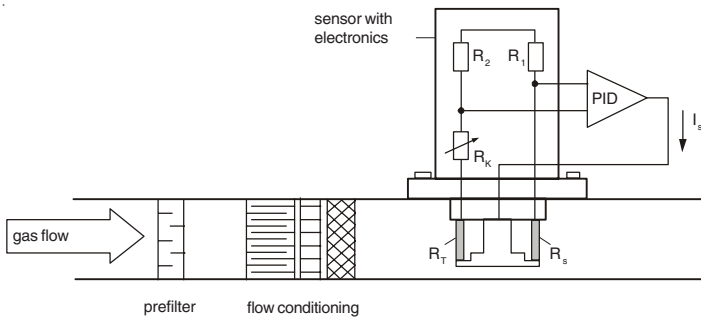


Fig.: Functional diagramm of the Inline sensor

Direct medium contact by the resistors R_T and R_S in the main flow assure excellent dynamics for the devices with response times of a few hundred milliseconds on sudden changes in the setpoint or process value. Owing to the arrangement of the resistors on a glass support lying tangential to the flow, the sensor is only slightly prone to contamination. The measurement range of the Inline sensor is limited at the bottom end by intrinsic convection in the flow channel, which also occurs when the control valve is closed. It is hence unsuitable for devices whose working range must extend to flow rates below ca. $1 l_N/min$. The signal from intrinsic convection in the flow channel depends on the installation position of the device. In order that high precision can be obtained at low flow rates, the actual installation position should be identical to that specified on ordering¹⁾. For the same reason, the operating pressure should not differ too much from the calibration pressure.

¹⁾ The device is calibrated in the installation position stated in the questionnaire to be found in the Annex to the Data Sheet.

Bypass sensor in conventional technology "capillary" (Types 8710 / 8700)

Measurement is also on the bypass principle. A laminar flow element in the main channel generates a small pressure drop. This drives a small flow proportional to the main flow through the actual sensor tube.

On this narrow tube are wound two heater resistors which are connected in measuring bridge. In the zero-flow state, the bridge is balanced, but with finite flow, heat is transported in the flow direction and the bridge becomes unbalanced.

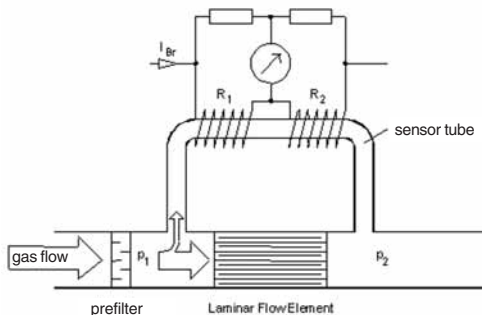


Fig.: Schematic diagram of bypass measurement

The dynamics of the measurement are determined by the tube walls, which act as a thermal barrier. They are hence significantly poorer, on principle, than with sensors having resistor placed directly in the medium flow. Through use of suitable software in the controller, correction times are obtained that are adequate for a large part of the applications (in the range of a few seconds).

With contaminated media, we recommend installing filter elements upstream. This avoids changes in the division ratio between main flow and sensor tube, as well as changes in the head transmission caused by deposits on the walls.

With these sensors, even aggressive gases can be controlled, since all essential parts in contact with the medium are fabricated in stainless steel. With this sensor principle it is also possible to convert between different gases. A choice of some gases are listed in the table below, others on request. $Q(\text{gas}) = f \times Q(N_2)$.

Gas	Factor f
N ₂	1.00
Air	1.00
O ₂	0.99
H ₂	1.01
Ar	1.4
He	1.41
CO ₂	0.76

By using the gas factors it is possible that the accuracy is not within the datasheet specification. For applications which need high accuracy it is recommended to calibrate under application conditions.

**Bypass sensor in CMOSens® technology
(Types 8713 / 8703 / 8712 / 8702 / 8711 / 8701)**

In this technology, the mass flow is measured in a specially shaped flow channel whose wall contains at one point a Si chip with a membrane that has been formed by etching. To this membrane are applied, in CMOSens® technology, a heating resistor and two temperature sensors, arranged symmetrically upstream and downstream of the heater.

When the heating resistor is fed with a constant voltage, the voltage difference between the temperature sensors is a measure of the mass flow of the gas flowing in the channel over the chip.

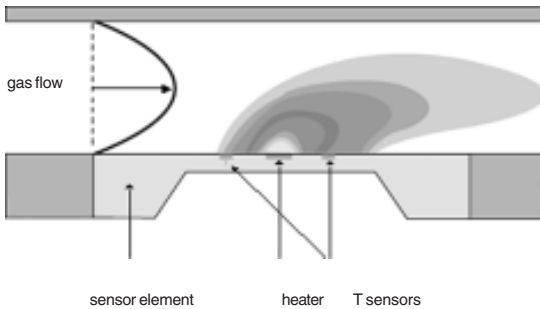


Fig.: Schematic diagram of the bypass sensor in CMOSens® technology

The cross-section of the flow channel is small enough that an adequate measurement signal is generated already at flow rates of less than 1 cm_N³/min. The upper measurement limit is reached when the originally laminar flow in the channel becomes turbulent. Higher flow ranges can be obtained by placing a bypass element in a larger channel which is connected in parallel. When the division ratio remains constant, measurement of the partial flow, after suitable calibration, allows the total flow to be calculated.

The low thermal mass of the temperature sensors and their direct contact with the flow (apart from a protective layer) result in a very fast reaction of the sensor signal to spontaneous changes in the flow. In this way, the MFC can compensate changes in the setpoint or process value within a few 100 ms. Moreover, the sensor has a high sensitivity down to the smallest flow rates as well as additional correction and diagnostic possibilities via the signal from a further temperature sensor on the chip.

Control electronics

Processing of the setpoint and actual flow signals, and drive of the actuator are carried out by a microprocessor.

The sensor signal is filtered by the control electronics and with the aid of the calibration curve stored in the device, converted to a value corresponding to actual flow rate.

In order that critical process, in which a too great flow change is not permitted, can also be controlled, a ramp function can be activated via the software "MassFlowCommunicator" (see Appendix C). Here the parameters for rising and sinking setpoints can be set separately. Further details on the ramp function can be taken from the software documentation.

Actuating signal:

$$\begin{aligned} \text{actuating signal} &= \text{setpoint} - \text{process value} \\ x_d &= w - x \end{aligned}$$

The actuating signal is processed according to a PI algorithm.

The control parameters are set in the factory according to type. In order to take into account the characteristics of the controlled member, the controller works with member-dependent amplification factors. During the running of the Autotune routine, these are determined automatically.

In the device a parameter is stored with which the control dynamics can be altered with the software "MassFlowCommunicator". Its extreme values correspond on the one hand to very rapid correction, whereby overswing is possibly accepted, and on the other hand to a slow asymptotic correction to the desired flow rate. The first can lead to immediate reaction of the controller to very small actuating signals, whereby the control can become very unsteady. With less dynamic processes, the controller behaviour can be damped, so that small variations in the process value or setpoint are corrected only slowly.

As the correcting variable, a pulse-width modulated (PWM) signal is sent to the proportional valve. The frequency of this signal is adapted to the respective valve.

To assure the tight-closing function of the valve, zero-point switch-off is built in. This becomes active if the following conditions simultaneously occur:

$$\begin{aligned} &\text{setpoint} < 2 \% \text{ of nominal flow} \\ \text{and } &\text{process value} < 2 \% \text{ of nominal flow} \quad ^1) \end{aligned}$$

With the zero-point switch-off activated, the PWM signal is set to 0 %, so that the valve closes completely.

¹⁾ With types 8711 / 8712 / 8713 higher control ranges on request.

Depending on the version of the device, the setpoint is set either via the standard signal input as an analog signal, or digitally via the field bus interface. Independent of the control status, the flow rate measured by the sensor is sent as an analog signal via the standard signal input or digitally via the field bus interface.

In order to obtain a dynamic or a more sluggish process value output signal, the degree of filtering of the output signal can be adjusted with the software "MassFlowCommunicator".

Proportional valve

In all MFC series, the servo elements used are linear-armature proportional valves from the Bürkert valve range. Design measures, especially with the valves in the MFC for low flow rate (Types 8710 / 8711 / 8712 / 8713), assure low-friction guidance of the moving armature. In combination with the PWM drive, this assures a continuous, largely linear characteristic curve as well as high response sensitivity. Both are important for optimal functioning in the closed control loop of the MFC.

The nominal diameters of the valves are determined from the required nominal flow rate Q_{nom} , the pressure conditions in the application and the density of the operating gas.

The manufacturer selects a proportional valve on the basis of these data whose flow coefficient k_{Vs} enables a maximum flow rate of at least the required nominal flow rate under the specified pressure conditions, according to flow equations:

a) for subcritical flow ($p_2 > p_1/2$) :

$$Q_{max} = 514 * \sqrt{\frac{\Delta p * p_2}{\rho_N * T_1}} * k_{Vs} > Q_{nom} \quad (1)$$

or

b) for supercritical flow ($p_2 < p_1/2$) :

$$Q_{max} = 257 * \sqrt{\frac{1}{\rho_N * T_1}} * p_1 * k_{Vs} > Q_{nom} \quad (2)$$

Where the pressures p_1 and p_2 in equations (Gl.) (1) and (2) refer to measurement points directly before and after the MFC.

The pressures before and after the MFC are often unknown, only the inlet and outlet pressures p_1^* and p_2^* for the overall system. A part of the pressure drop $p_1^* - p_2^*$ occurs over other flow resistances (isolation valves, nozzles, piping, filters, etc.) whose flow coefficient may be collected together in a variable k_{Va} .

In this case, in analogy to equations (1) and (2), one first determines from the desired nominal flow rate Q_{nom} and the pressures p_1^* and p_2^* , the minimum flow coefficient of the overall system k_{Vges} . Via the relationship

$$\left(\frac{1}{k_{Vges}}\right)^2 = \left(\frac{1}{k_{Vs}}\right)^2 + \left(\frac{1}{k_{Va}}\right)^2 \quad (3)$$

which describes series connection of the resistances of the MFC (k_{Vs}) and the system (k_{Va}), one can determine, with known k_{Va} , the required k_{Vs} value of the MFC or the nominal diameter of the servo element. This will be greater than if the other flow resistances were not present.

The so-called valve authority

$$\psi = \frac{(\Delta p)_{V0}}{(\Delta p)_0} = \frac{k_{Vs}^2}{[k_{Va}^2 + k_{Vs}^2]} \quad (4)$$

is important for the control characteristics of the MFC in the system. It should not be less than 0.3 ... 0.5.

Meaning of the symbols in the equations:

- k_{Vges} flow coefficient of the system with MFC installed
- k_{Va} flow coefficient of the system with MFC not installed (to be determined by "short-circuiting" the piping at the point of installation)
- k_{Vs} flow coefficient of the MFC with fully opened servo element in [m³/h]
- ρ_N density of the medium in [kg/m³] under standard conditions (1013 mbar, 273 K)
- T_1 temperature of the gas in K
- p_1, p_2 absolute pressures in [bar] before and after the MFC
- $\Delta p = p_1 - p_2$
- Q_{max} maximum flow rate of the valve in [l_N/min]
- Q_{nenn} maximum flow rate of the MFC in [l_N/min] when correction to 100 % of the setpoint has been made
- $(\Delta p)_0$ pressure drop over the entire system
- $(\Delta p)_{V0}$ fraction of the pressure drop occurring over the MFC with the valve fully open

**NOTE**

The system must not be dimensioned so closely with regard to the flow coefficient (k_{v_a}) that at the desired flow rate, the major part of the available pressure drop is used up there, and then the nominal valve diameter of the MFC is chosen so great ($k_{v_s} \gg k_{v_a}$) that only the small remaining part of the pressure is dropped over the MFC. In this case, the valve authority would be too small and only a small part of the working range of the valve utilized. That could be greatly detrimental in general to the resolution and control performance. If the system has been dimensioned „to closely“, increasing the nominal diameter of the MFC valve does not help. In this case an increase either in the admission pressure or the k_{v_a} value should be made, e.g. by increasing the pipe diameter, to keep the valve authority within the permitted range.

When the device is operated within the specified pressure range, the proportional valve assumes the functions of both control and tight closure.

TECHNICAL DATA

Environmental tests

- Temperature cycles to EN 60068-2-14, Nb and EN 60068-2-33
- Head and humidity to EN 60068-2-38, Z/AD
- Shocks to EN 60068-2-27
- Vibration to EN 60068-2-6
- IP protection type to EN 60529
- Free fall to EN 60068-2-32
- UPS fall test to DIN ISO 2248 and DIN ISO 2206

Electromagnetic compatibility (EMC)

All devices are CE conforming for industrial use and have passed the associated EMC tests to

EN 50081-2:03/94 „Basic engineering standard for interference emission;
Part 2: Industrial domain“

EN 50082-2:02/96 „Basic engineering standard for interference resistance;
Part 2: Industrial domain“.

Communications interface

RS232: direct connection to PC via RS232 adapter, communication with special software (MassFlowCommunicator – siehe Appendix C).

With 8711 / 8701, 8713 / 8703 and 8710 / 8700, an external interface driver is necessary (integrated in adapter for these types - see Appendix A).

RS485: connection via RS485 adapter (excerpt types 8713 / 8703)

BUS: Profibus DP or DeviceNet connection (bus devices only)

Seal material

FKM (other materials on request)

The compatibility of the seal material with the usual operating media can be taken from the Bürkert stability tables.



ATTENTION!

The data given in this table are provided for information and cannot replace own tests under the actual operating conditions. In particular, no guarantee for medium compatibility can be derived therefrom.

Type 8626 / 8006 MASS FLOW INLINE

Full scale range (Q_{nom})	25 to 1500 I_N /min (N_2 equivalent)
Operating media	neutral, not-contaminated gases, others on request
max. operating pressure	10 bar, depending on nom. valve diameter
Calibration medium	operating gas or air
Medium temperature	-10 to + 70 °C
Ambient temperature	-10 to + 45 °C
Measurement accuracy (after 15 min. warm-up)	± 1.5 % of Rdg. ± 0.3 % of F.S.
Linearity	± 0.25 % of F.S.
Reproducibility	± 0.1 % of F.S.
Control range / Span	1 : 50
Settling time ($T_{95\%}$)	< 500 ms
Operating voltage	24 V DC ± 10 %; residual ripple < 5 %
Connection cross-section	min. 0.5 mm ² (0.75 mm ² for valve Type 2836)
Power consumption	20 W - max. 50 W (Type 8626, dep. on Valve) 22.5 W - max. 52.5 W (Type 8626 bus, dep. on valve) 10 W (Type 8006) 12.5 W (Type 8006 bus)
Electrical isolation	yes
Setpoint setting (to be chosen)	0 - 10 V 0 - 5 V 0 - 20 mA 4 - 20 mA
Resolution	2.5 mV or 5 μ A
Input impedance (voltage input)	> 20 kOhm
Input impedance (current input)	< 300 Ohm
3 binary inputs	low-activated, connect to GND to activate
Process value output (to be chosen)	0 - 10 V 0 - 5 V 0 - 20 mA 4 - 20 mA
Resolution	10 mV or 20 μ A
max. current (volt. outp.)	10 mA
max. burden (curr. outp.)	600 Ohm
2 relay outputs	potential-free changeover 60 V, 1 A, 60 VA
Connections	8-pole socket 15-pole SUB-HD socket 9-pole SUB-D socket (bus version only)
Type of protection	IP 65 (with the specified plug connectors)
Housing material	aluminium (anodized) or stainless steel 1.4305
Cover material	aluminium diecasting, painted
Installation position	horizontal or vertical

Type 8710 / 8700 MASS FLOW CMOSens®

Full scale range (Q_{nom})	0.005 to 1.0 l _N /min (N ₂ equivalent)
Operating media	neutral, not-contaminated gases, others on request
max. operating pressure (inlet)	10 bar (145 psi), depends on valve orifice
Calibration medium	operating gas or air with conversion factor
Medium temperature	-10 to + 70 °C
Ambient temperature	-10 to + 50 °C
Measurement accuracy (after 30 min. warm-up)	± 1.5 % of Rdg. ± 0.3 % of F.S.
Linearity	± 0.25 % F.S.
Reproducibility	± 0.1 % F.S.
Control range / Span	1 : 50
Settling time (T _{95%})	< 3 sec.
Power supply	24 V DC ± 10 %; residual ripple < 5 %
Connection cross-section	min. 0.25 mm ² (better 0.5 mm ²)
Power consumption	max. 6.5 W (dep. on value) / max. 9 W (fieldbus version)
Electrical isolation	no
Setpoint setting (to be chosen)	0 - 10 V 0 - 5 V 0 - 20 mA or 4 - 20 mA
Resolution	2.5 mV or 5 µA
Input impedance (voltage input)	> 20 kOhm
Input impedance (current input)	< 300 Ohm
2 binary inputs	low-activated, connected to GND to activate
Process value output (to be chosen)	0 - 10 V 0 - 5 V 0 - 20 mA or 4 - 20 mA
Resolution	10 mV or 20 µA
max. voltage (voltage output)	10 mA
max. burden (current output)	600 Ohm
2 Relay output	potential-free changeover 25 V, 1 A, 25 VA
Connection	15-pole Sub-D-plug 5-pole M12 plug (only with DeviceNet) 5-pole M12 socket (only with Profibus DP)
Type of protection	IP 50
Housing material / Cover material	Aluminium or stainless steel / PBT
Installation position	horizontal or vertical

Type 8711 / 8701 MASS FLOW CMOSens®

Full scale range (Q_{nom})	0.02 to 50 l _N / min (N ₂ equivalent)
Operating media	neutral, non-contaminated gases, others on request
max. operating pressure (inlet)	10 bar (145 psi), depends on valve orifice
Calibration medium	operating gas or air with conversion factor
Medium temperature	-10 to + 70 °C
Ambient temperature	-10 to + 50 °C
Measurement accuracy (after 1 min. warm-up)	± 0.8 % of Rdg. ± 0.3 % F.S.
Linearity	± 0.1 % F.S.
Reproducibility	± 0.1 % F.S.
Control range / Span	1:50, higher span on request
Settling time (T _{95%})	< 300 ms
Power Supply	24 V DC, ± 10 %; residual ripple < 5%
Connection cross-section	min. 0.25 mm ² (better 0.5 mm ²)
Power consumption	max. 13 W (dep. on valve)
Electrical isolation	no
Setpoint setting (to be chosen)	0 - 10V 0 - 5 V 0 - 20 mA or 4 - 20 mA
Resolution	2.5 mV or 5 µA
Input impedance (voltage input)	> 20 kOhm
Input impedance (current input)	< 300 Ohm
2 binary inputs	Low-activated, connected to GND to activate
Process value output (to be chosen)	0 - 10V 0 - 5 V 0 - 20 mA or 4 - 20 mA
Resolution	10 mV or 20 µA
Max. voltage (voltage output)	10 mA
max. Burden (current output)	600 Ohm
1 Relay output	Potential-free changeover 25 V, 1 A, 25 VA
Connection	15-pole Sub-D-Socket 5-pole M12 plug (only with DeviceNet) 5-pole M12 socket (only with Profibus DP)
Type of protection	IP 50
Housing material / Cover material	Aluminium or stainless steel / sheet steel, chrome plated or PBT
Installation position	horizontal or vertical

Type 8712 / 8702 MASS FLOW CMOSens®

Full scale range (Q_{nom})	0.02 to 50 l _N /min (N ₂ equivalent)
Operating media	neutral, non-contaminated gases, others on request
max. operating pressure	10 bar, depending on nom. valve diameter
Calibration medium	operating gas or air
Medium temperature	-10 to + 70 °C
Ambient temperature	-10 to + 50 °C
Measurement accuracy (after 1 min. warm-up)	± 0.8 % of Rdg. ± 0.3 % of F.S.
Linearity	± 0.1 % of full scale
Reproducibility	± 0.1 % of full scale
Control range / Span	1 : 50; higher span on request
Setting time ($T_{95\%}$)	< 300 ms
Operating voltage	24 V DC ± 10 %; residual ripple < 5 %
Connection cross-section	min. 0.25 mm ² (better 0.5 mm ²)
Power consumption	max. 6.5 W (Type 8712) max. 9 W (Type 8712 bus) 2.5 W (Type 8702) 5 W (Type 8702 bus)
Electrical isolation	yes
Setpoint setting (to be chosen)	0 ... 10 V 0 ... 5 V 0 ... 20 mA 4 ... 20 mA
Resolution	2.5 mV or 5 µA
Input impedance (voltage input)	> 20 kOhm
Input impedance (current input)	< 300 Ohm
3 binary inputs	low-activated, connect to GND to activate
Process value output (to be chosen)	0 ... 10 V 0 ... 5 V 0 ... 20 mA 4 ... 20 mA
Resolution	10 mV ou 20 µA
max. current (voltage outp.)	10 mA
max. burden (curr. outp.)	600 Ohm
2 relay outputs	potential-free changeover 60 V, 1 A, 60 VA
Connections	8-pole socket 15-pole SUB-HD socket 9-pole SUB-D socket (bus version only)
Type of protection	IP 65 (with the specified plug connectors)
Housing material	stainless steel 1.4305
Cover material	PBT
Installation position	horizontal or vertical

Type 8713 / 8703 MASS FLOW CMOSens®

Full scale range (Q_{nom})	0.02 to 50 l _N /min (N ₂ equivalent)
Operating media	neutral, non-contaminated gases, others on request
Max. operating pressure (inlet)	10 bar (145 psi), depends on valve orifice
Calibration medium	Operating gas or air with conversion factor
Medium temperature	-10 to + 70 °C
Ambient temperature	-10 to + 50 °C
Measurement accuracy (after 1 min. warm-up)	± 0.8 % of Rdg. ± 0.3 % F.S.
Linearity	± 0.1 % F.S.
Repeatability	± 0.1 % F.S.
Control range/ Span	1 : 50; higher span on request
Settling time (T _{95%})	< 300 ms
Power Supply	24 V DC ± 10 %; residual ripple < 5 %
Connection cross-section	min. 0.25 mm ² (better: 0.5 mm ²)
Power consumption	max. 6.5 W
Electrical isolation	yes
Setpoint setting	Digital communication via RS 485
1 binary input	Low-activated, connected to GND to activate
Process value output	Digital communication via RS 485
1 relay output	Potential-free changeover 25 V, 1 A, 25 VA
Connections	9-pole Sub-D-plug
Type of protection	IP 50
Housing material / Cover material	Aluminium or stainless steel 1.4305 / sheet steel, chrome plated
Installation position	horizontal or vertical

Type 8716 / 8706 MASS FLOW INLINE

Full scale range (Q_{nom})	
8706	25 to 1500 l_N/min (N_2 equivalent)
8716	25 to 500 l_N/min (N_2 equivalent)
Operating media	neutral, non-contaminated gases, others on request
max. operating pressure	10 bar, depending on nom. valve diameter
Calibration medium	operating gas or air with conversion factor
Medium temperature	-10 to + 70 °C
Ambient temperature	-10 to + 45 °C
Measurement accuracy (after 15 min. warm-up)	± 1.5 % of Rdg. ± 0.3 % F.S.
Linearity	± 0.25 % F.S.
Reproducibility	± 0.1 % F.S.
Control range / Span	1 : 50
Settling time ($T_{95\%}$)	< 500 ms
Operating voltage	24 V DC ± 10 %; residual ripple < 5 %
Connection cross-section	min. 0.5 mm ²
Power consumption	20 W - max. 30 W (Type 8716 dep. on valve) 22.5 W - max. 32.5 W (Type 8716 bus, dep. on valve) 10 W (Type 8706) 12.5 W (Type 8706 bus)
Electrical isolation	yes
Setpoint setting (to be chosen)	0 - 10 V, 0 - 5 V, 0 - 20 mA, 4 - 20 mA
Resolution	2.5 mV or 5 μ A
Input impedance (volt. inp.)	> 20 kOhm
Input impedance (curr. inp.)	< 300 Ohm
3 binary inputs	low-activated, connect to GND to activate
Process value output (to be chosen)	0 - 10 V 0 - 5 V 0 - 20 mA 4 - 20 mA
Resolution	10 mV or 20 μ A
max. current (volt. outp.)	10 mA
max. burden (curr. outp.)	600 Ohm
2 relay outputs	potential-free changeover 60 V, 1 A, 60 VA
Connections	8-pole socket 15-pole SUB-HD socket 9-pole SUB-D socket (bus version only)
Type of protection	IP 65 (with the specified plug connectors)
Housing material	aluminium (anodized) or stainless steel 1.4305
Cover material	PBT
Installation position	horizontal or vertical

ASSEMBLY, INSTALLATION AND COMMISSIONING

Dimensional drawings

english

MAN 1000011173 ML Version: L Status: PL (released | freigegeben) printed: 14.12.2009

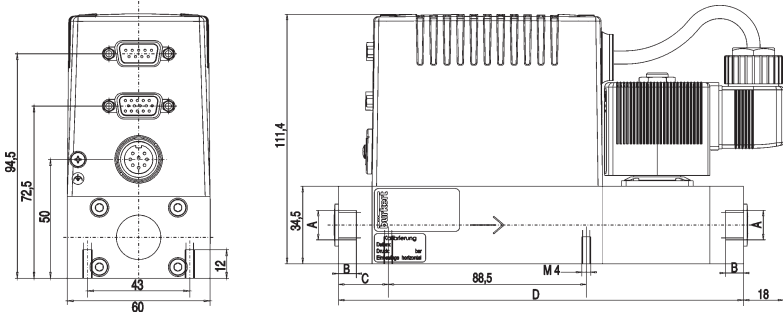


Fig.: Type 8626 / 8006 MASS FLOW INLINE (version with proportional valve 6022 and standard sensor body)

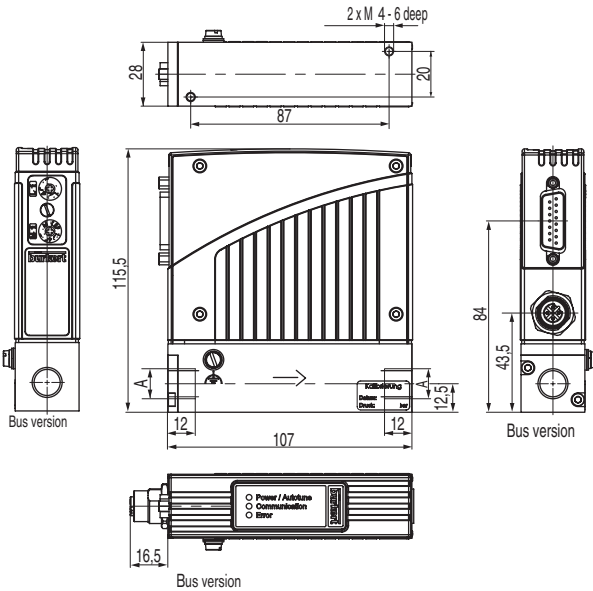


Fig.: Type 8710 / 8700 MASS FLOW CAPILLARY / Type 8711 / 8701 MASS FLOW CMOSens®

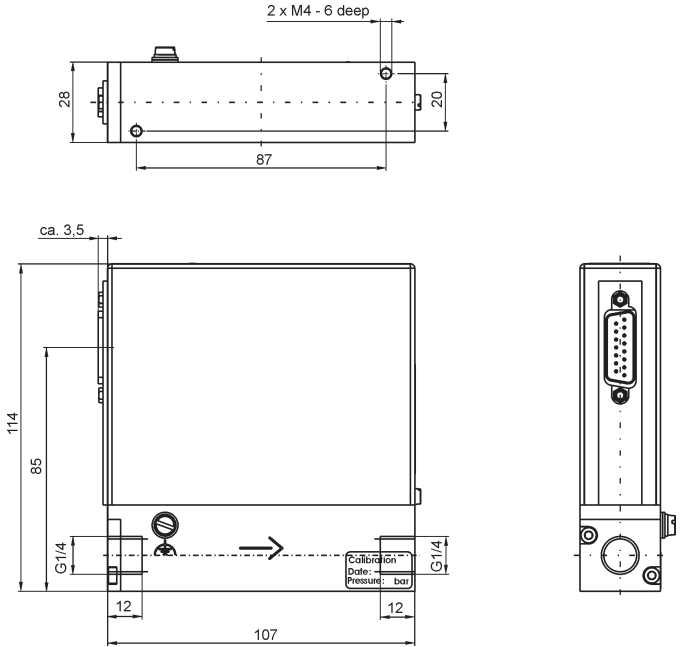


Fig.: Type 8711 / 8701 MASS FLOW CMOSens® (with steel sheet housing)

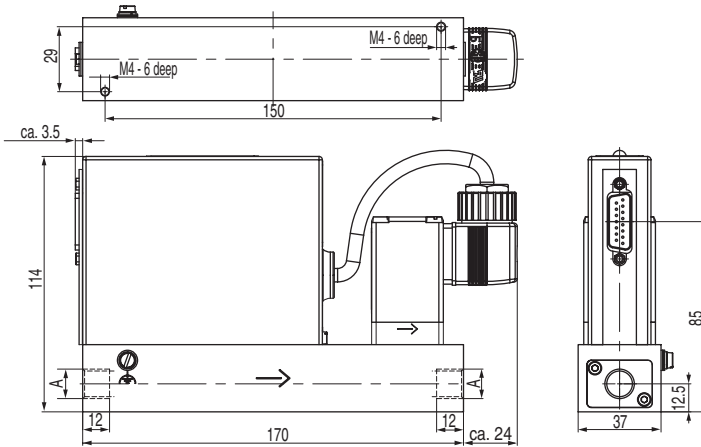


Fig.: Type 8711 with external valve

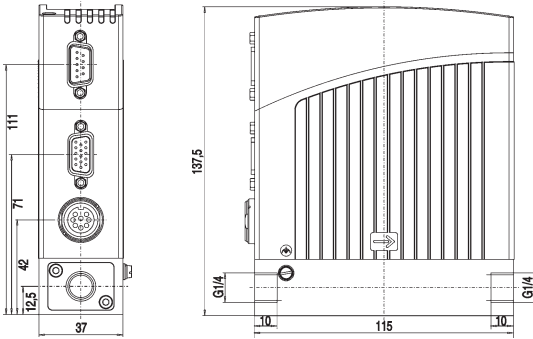


Fig.: Type 8712 / 8702 MASS FLOW CMOSens®

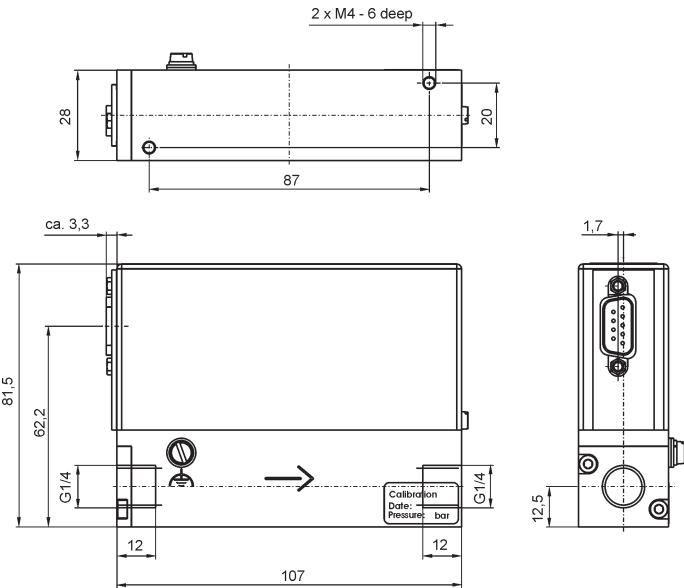


Fig.: Type 8713 / 8703 MASS FLOW CMOSens®

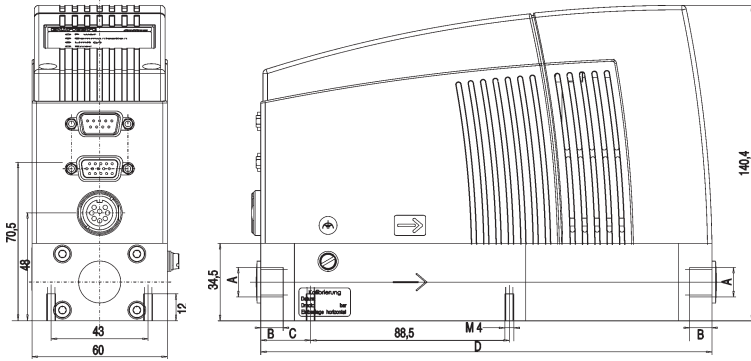


Fig.: Type 8716 / 8706 MASS FLOW INLINE (with standard sensor body)

english

General notes on installation and operation

Before installation:

- Install a suitable filter upstream to assure cleanliness of the operating medium.
- Observe the installation position (see calibration data).
- Provide a power supply with adequate power.
- Observe the max. residual ripple on the operating voltage.
- Remove dirt from the piping before installation of the MFC.

Proceed in the following sequence on commissioning an MFC/MFM:

1. Mechanical and fluidic installation
2. Electrical installation
3. Pressurize with operating medium
4. Regular working operation

NOTE



The specified precision will be obtained only when, after switching on, the thermal equilibration processes have been completed and the device has reached its operating temperature (the time required depends on the device type, see *Technical Data*).

Operation with additional isolation valve

The proportional valve integrated into the MFC assumes the tight-closure function, so that an additional isolation valve is not required in the medium circuit. If for safety reasons, however, an additional isolation valve is placed before or after the MFC, the drive sequence should be as follows:

Start

1. Connect pressure supply
2. Open isolation valve
3. Set MFC setpoint (normal control operation)

Shut-down

1. Set MFC setpoint to 0 %
2. Close isolation valve when process value of 0 % is reached

Any other sequence could result, on renewed opening of the isolation valve, even with setpoint zero, in a short flow pulse or, on first setting of the setpoint, significant overswing.

Mechanical and fluidic installation

Select the available fluidic connections to match the maximum flow rate. Intake sections are not required. If necessary, we can also supply special sizes, whereby the dimensioning of the fluidic system with regard to flow and pressure drop must be taken into account.

Fluidic connections

The device can on request also be supplied with screw-in joints already assembled. Please select the matching fluidic connection from the table in Appendix B.

Connections at MFC/MFM

Types	Standard screw-in thread				Special screw-in thread				Sub base
	G 1/4"	G 3/8"	G 1/2"	G 3/4"	NPT 1/4	NPT 3/8	NPT1/2	NPT3/4	
8626	X	X	X	X	X	X	X	X	
8006	X	X	X	X	X	X	X	X	
8716	X	X	X	X	X	X	X	X	
8706	X	X	X	X	X	X	X	X	
8713	X				X				X
8703	X				X				X
8712	X				X				X
8702	X				X				X
8711	X				X				X
8701	X				X				X
8710	X				X				X
8700	X				X				X

Assembly of clamping ring screw joints

ATTENTION!

With low flow rates and high pressures, pay attention to the gastightness of the system to avoid false dosage or gas leakage.

In order to seal the system properly, proceed as follows:

- Mount pipe connections without stress (using compensators if necessary).
- Use piping with matching diameter and smooth surface.
- Cut off the piping at right angles and deburr.
- Slide coupling ring, support ring (if present) and clamping ring onto the piping in that order.
- Insert piping into joint as far as it will go.
- Union firmly tighten.
- Counter with a wrench on the screw-in side (do not load the device housing) and tighten by 1 ¼ turns.

Electrical connections

ATTENTION!

To assure electromagnetic compatibility (EMC), connect the housing via as short a cable as possible (with as large a cross-section as possible) to the functional earth (FE).

The GND or mass conductors of all signals of the MFC/MFM must be led in each case individually to the MFC. (If all GND signals are bridged directly at the MFC and only one conductor led to the switching cabinet, signal displacements and disturbances of the analog signals may occur (pulses, oscillations, etc.)).

The MFCs/MFMs are operated with 24 V power supply. Select the connector cross-section according to the valve used and as large as possible (see *Technical Data*). Suitable connecting cables are to be found in Appendix A.

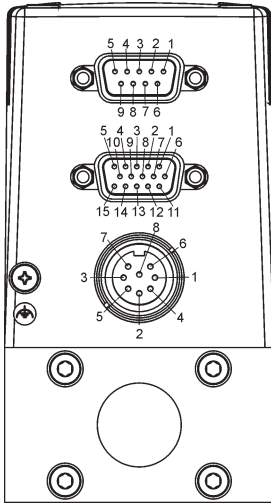
ATTENTION!

The 8-pole socket (types 8626 / 8006 / 8712 / 8702 / 8716 / 8706) only has to be tightened hand-screwed.

- Connect the the functional earth (FE) to the marked screw, e.g. using round pliers.

Connection configuration Type 8626 / 8006

MAN 100001173 ML Version: L Status: PL (released | freigegeben) printed: 14.12.2009



8-pole socket (circular)	
1	24V - supply +
2	Relay 1 - C contact
3	Relay 2 - C contact
4	Relay 1 - NC contact
5	Relay 1 - NO contact
6	24V - supply GND
7	Relay 2 - NO contact
8	Relay 2 - NC contact

9-pole Sub-D socket (bus version only)		
	PROFIBUS DP	DeviceNet
1	Shield (FE) functional earth	
2	N. C. (not connected)	CAN_L data line
3	RxD/TxD-P B-line	GND
4	RTS control signal for repeater	N. C.
5	GND data transmission potential	N. C.
6	VDD supply voltage + (P5V)	N. C.
7	N. C.	CAN_H data line
8	RxD/TxD-N A-line	N. C.
9	N. C.	N. C.

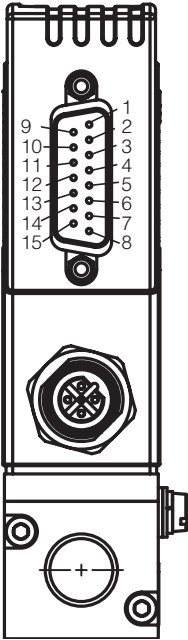
+15 pole Sub-HD socket		
	Analog drive	Bus version
1	Setpoint input +	N. C.
2	Setpoint input GND	N. C.
3	Process value output +	N. C.
4	Binary input 2	
5	12 V output (for factory use only)	
6	RS232 TxD (direct connection to PC)	
7	Binary input 1	
8	DGND (for binary inputs)	
9	For factory use only (do not connect!)	
10	12 V output (for factory use only)	
11	12 V output (for factory use only)	
12	Binary input 3	
13	Process value output GND	N. C.
14	RS232 RxD (direct connection to PC)	
15	DGND (for RS232 interface)	



NOTE

If a device of Type 8626 / 8006 (built before 2003) is to be replaced by a new one (from 2003 on), this can be done by using an adapter (see Appendix A) without additional cabling.

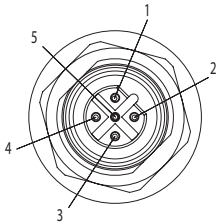
Connection configuration Type 8710 / 8700



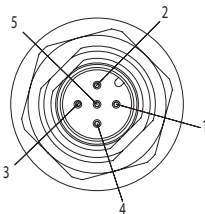
15-pole Sub-D plug	
1	Relay output - NC contact
2	Relay output - NO contact
3	Relay output - C contact
4	GND 24 -V-supply and binary inputs
5	24 V supply +
6	8 V output (For factory use only!)
7	Setpoint input GND
8	Setpoint input +
9	Process value output GND
10	Process value output +
11	DGND (for RS232)
12	Binary input 1
13	Binary input 2
14	RS232 RxD (without driver)
15	RS232 TxD (without driver)

Only with fieldbus

**Profibus DP-socket B-encoded M12
(DPV1 max. 12 Mbaud)**



1	VDD
2	RxD / TxD - N (A-line)
3	DGND
4	RxD / TxD - P (B-line)
5	Shield

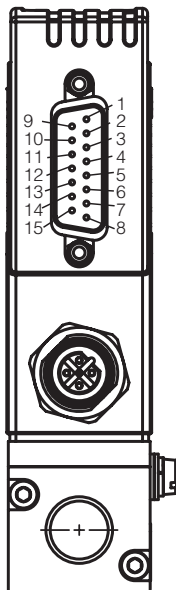


DeviceNet - plug M12

1	Shield
2	VDD
3	DGND
4	CAN_H
5	CAN_L

Connection configuration Type 8711 / 8701

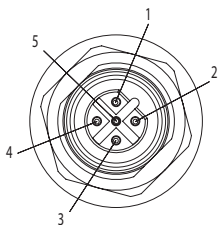
MAN 1000011173 ML Version: L Status: RL (released | freigegeben) printed: 14.12.2009



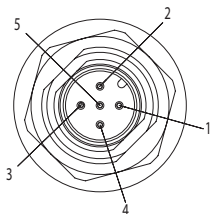
15-pole Sub-D plug	
1	Relay output - NC contact
2	Relay output - NO contact
3	Relay output - C contact
4	GND 24 -V-supply and binary inputs
5	24 V supply +
6	8 V output (For factory use only!)
7	Setpoint input GND
8	Setpoint input +
9	Process value output GND
10	Process value output +
11	DGND (for RS232)
12	Binary input 1
13	Binary input 2
14	RS232 RxD (without driver)
15	RS232 TxD (without driver)

Only with fieldbus

Profibus DP-socket B-encoded M12 (DPV1 max. 12 Mbaud)



1	VDD
2	RxD / TxD - N (A-line)
3	DGND
4	RxD / TxD - P (B-line)
5	Shield



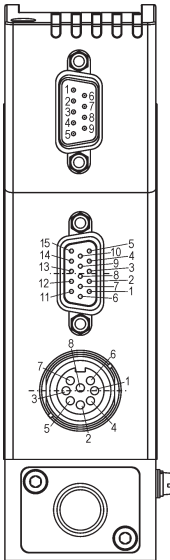
DeviceNet - plug M12

1	Shield
2	VDD
3	DGND
4	CAN_H
5	CAN_L

Connection configuration Type 8712 / 8702

english

MAN 100001173 ML Version: L Status: PL (released | freigegeben) printed: 14.12.2009



8-pole socket (circular)

1	24V - supply +
2	Relay 1 - C contact
3	Relay 2 - C contact
4	Relay 1 - NC contact
5	Relay 1 - NO contact
6	24V - supply GND
7	Relay 2 - NO contact
8	Relay 2 - NC contact

9-pole Sub-D socket (bus version only)

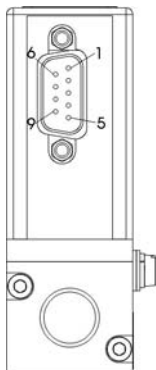
	PROFIBUS DP	DeviceNet
1	Shield (FE) functional earth	
2	N. C. (not connected)	CAN_L data line
3	RxD/TxD-P B-line	GND
4	RTS control signal for repeater	N. C.
5	GND data transmission potential	N. C.
6	VDD supply voltage + (P5V)	N. C.
7	N. C.	CAN_H data line
8	RxD/TxD-N A-line	N. C.
9	N. C.	N. C.

+15 pole Sub-HD socket

	Analog drive	Bus version
1	Setpoint input +	N. C.
2	Setpoint input GND	N. C.
3	Process value output +	N. C.
4	Binary input 2	
5	12 V output (for factory unse only)	
6	RS232 TxD (direct connection to PC)	
7	Binary input 1	
8	DGND (for binary inputs)	
9	For factory use only (do not connect!)	
10	12 V output (for factory use only)	
11	12 V output (for factory use only)	
12	Binary input 3	
13	Process value output GND	N. C.
14	RS232 RxD (direct connection to PC)	
15	DGND (for RS232 interface)	

Connection configuration Type 8713 / 8703

MAN 1000011173 ML Version: L Status: RL (released | freigegeben) printed: 14.12.2009

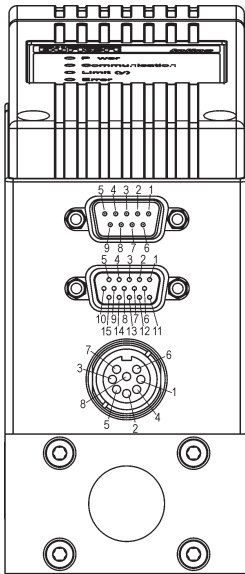


9-pin sub-D plug	
1	Binary input (related to GND PIN 2)
2	GND
3	Power supply +24 V DC
4	Relay, C contact
5	Relay, NC contact
6	TX+ (RS485-Y) bridge with pin 9 at Half-Dublex
7	TX- (RS485-Z) bridge with pin 8 at Half-Dublex
8	RX- (RS485-B)
9	RX+ (RS485-A)

Connection configuration Type 8716 / 8706

english

MAN 100001173 ML Version: L Status: RL (released | freigegeben) printed: 14.12.2009



8-pole socket (circular)

1	24V - supply +
2	Relay 1 - C contact
3	Relay 2 - C contact
4	Relay 1 - NC contact
5	Relay 1 - NO contact
6	24V - supply GND
7	Relay 2 - NO contact
8	Relay 2 - NC contact

9-pole Sub-D socket (bus version only)		
	PROFIBUS DP	DeviceNet
1	Shield (FE) functional earth	
2	N. C. (not connected)	CAN_L data line
3	RxD/TxD-P B-line	GND
4	RTS control signal for repeater	N. C.
5	GND data transmission potential	N. C.
6	VDD supply voltage + (P5V)	N. C.
7	N. C.	CAN_H data line
8	RxD/TxD-N A-line	N. C.
9	N. C.	N. C.

+15 pole Sub-HD socket		
	Analog drive	Bus version
1	Setpoint input +	N. C.
2	Setpoint input GND	N. C.
3	Process value output +	N. C.
4	Binary input 2	
5	12 V output (for factory unse only)	
6	RS232 TxD (direct connection to PC)	
7	Binary input 1	
8	DGND (for binary inputs)	
9	For factory use only (do not connect!)	
10	12 V output (for factory use only)	
11	12 V output (for factory use only)	
12	Binary input 3	
13	Process value output GND	N. C.
14	RS232 RxD (direct connection to PC)	
15	DGND (for RS232 interface)	

Inputs / outputs

Overview of types

Type	Setpoint input	Process value output	BUS connection	LED	Binary inputs	Relay outputs
8006	-	X	-	4	3	2
8626	X	X	-	4	3	2
8006 Bus	-	-	X	4	3	2
8626 Bus	-	-	X	4	3	2
8700	-	X	-	3	2	1
8710	X	X	-	3	2	1
8700 Bus	-	-	X	3	2	1
8710 Bus	-	-	X	3	2	1
8701	-	X	-	3	2	1
8711	X	X	-	3	2	1
8701 Bus	-	-	X	3	2	1
8711 Bus	-	-	X	3	2	1
8702	-	X	-	4	3	2
8712	X	X	-	4	3	2
8702 Bus	-	-	X	4	3	2
8712 Bus	-	-	X	4	3	2
8703	-	-	X	3	1	1
8713	-	-	X	3	1	1
8706	-	X	-	4	3	2
8716	X	X	-	4	3	2
8706 Bus	-	-	X	4	3	2
8716 Bus	-	-	X	4	3	2



NOTE

As an option you can obtain the PC software "Mass Flow Communicator", with which you can switch over the standard signal for the setpoint input and the process value output between 0 - 5 V, 0 - 10 V, 0 - 20 mA and 4 - 20 mA (see Appendix C).

Setpoint input

The setpoint input serves to enter the analog setpoint value via a standard signal for the MFC.

Process value output

The process value output exits the current flow rate as a standard signal.

Bus connection

Types 8626, 8006, 8716, 8706, 8712, 8702, 8711, 8701, 8710 and 8700 are available as bus versions. Setpoint and process value are received or repeated in digital form via the bus. One can choose between a PROFIBUS DP and a DeviceNet connection (see also *Supplement to Operating Instructions for fieldbus devices or serial communication RS 232 / RS 485*).

LEDs to indicate the operating mode (default configuration)

POWER LED (green)	<i>lights</i>	The device is supplied with operating voltage
	<i>flashes</i>	Autotune function activated
COMMUNICATION LED (yellow)	<i>lights</i>	The device communicates via bus or RS-interface.
LIMIT (y) LED (blue)	<i>lights</i>	With MFC: indicates that the correcting variable of the valve has almost reached 100 %. In practice, this usually means that the pressure at the controller is insufficient to realize the desired flow rate. With MFM: indicates that the process value has almost reached the nominal flow rate.
	<i>flashes</i>	The device is in an operating mode other than control or Autotune.
ERROR LED (red)	<i>lights</i>	Not a serious error, e.g. Autone not completed successfully or faulty LED.
	<i>flashes</i>	Serious error, e.g. sensor breakage or faulty internal voltage supply.

Binary inputs (default configuration)

In order to initiate the event in each case, the binary input must be connected for at least 0.5 s to DGND.

Functions

- Binary input 1 Autotune function (not configured with MFM)
- Binary input 2 not configured
(not present with 8713 / 8703)
(with second gas calibration - change gas)
- Binary input 3 not configured
(not present with 8710 / 8700 / 8711 / 8701 / 8713 / 8703)

Binary outputs (default configuration)

The binary outputs are executed as realy outputs (potential-free changeover contacts).

Functions

Relay 1**	LIMIT (y)
Relay 2*	ERROR (serious error, e.g. sensor breakage or faulty internal voltage supply)

* (not present with 8710 / 8700 / 8711 / 8701 / 8713 / 8703)

** (with 8713 / 8703 as normally closed contact)



NOTE

The functions of the POWER- and ERROR-LED are unchangeable.

The described functions of the standard signal inputs and outputs and the binary inputs and outputs are settings as delivered.

Applicationspecific settings of binary inputs and outputs

The MFCs additionally enables the user to set other or further functions to the binary inputs and outputs. This option provides the opportunity to adapt the MFC to special conditions in the facility or specific requirements of the application.

The functions can be set with the communication software (MassFlowCommunicator – see Apendix C). The setting of the functions is detailed explained in the help-function of the MassFlowCommunicator in the menu item „Assignment of In- and Outputs“.

LEDs of the device

The LEDs which are integrated in the device display the staus of the setted functions. Following functions can be setted to the LEDs:

- Display of the active used gascalibration
- Display of active binary inputs
- valve completely opened or closed
- control of safety value
- setpoint profile of the device is controlled
- Control operation active / inactive
- communication active / inactive
- source of setpoint - bus / serial communication
- several bus- or communicationstatus

(see help-function of the MassFlowCommunicator - „Assignment of In- and Outputs“)

Binary outputs

The binary outputs of the MFC, which can be defined specifically, can be used to transfer information to a higher-level controller under certain circumstances.

The binary outputs enable to make predication of the device or can be used for diagnostics and fixing malfunctions.

- Status of the device

- autotune routine active
- active used gascalibration
- active binary inputs
- status of bus module or bus communication
- setpoint profile of the device is controlled
- control operation active
- control of safety value
- valve completely opened or closed

- limit switches

Binary outputs are setted when the limit value (eg. totalizer limit value, set point limit value etc.) is under- or overstepped.

- faults/malfunctions

Serveral faults and malfunctions can be reported, for example sensor damages or faults with current or supply voltage.

(see help-function of the MassFlowCommunicator - „Assignment of In- and Outputs“)

Binary inputs

Defined functions can be set to the binary inputs. If the binary input is externally activated the function is processed.

- activate autotune routine
- Switch to another gascalibration
- safety value active / inactive - control of safety value depending on the binary input
- setpoint profile of the device is controlled
- switch to control operation
- reset the totalizers
- open or close valve completely

(see help-function of the MassFlowCommunicator - „Assignment of In- and Outputs“)

Operating modes of the MFC

Standard control operation

This is the operating mode in which the MFC finds itself after being switched on and after a short initialization phase. In the LED group, only the green Power LED lights.

The flow rate is controlled to the setpoint with high sensitivity. Disturbances such as those resulting from pressure variations are rapidly corrected by suitable adjustment to the aperture of the control valve.

In this mode, the setpoint is set via the analog input (standard signal input) or the field bus, depending on the version of the device.

The controller parameters are set such that changes in the process value or disturbances are corrected as fast as possible without significant overshoot being caused.



NOTE

When the driving signal of the control valve approaches the 100 % limit, the LIMIT (y) LED lights. The cause is usually that the pressure difference over the MFC is too small, e.g. because the pressure supply is insufficient or the filter is heavily contaminated. This can lead to non-achievement of the setpoint and an enduring positive actuating signal (w-x). To enable an external reaction to be made to this situation, a relay output is actuated in addition.

Autotune routine

A prerequisite for the automatic adaptation of the controller to the conditions in the system is that the typical pressure conditions pertain.

→ Initiate the Autotune routine by operating the binary input 1.

The Autotune routine runs automatically. During this operation, the green POWER LED flashes.



ATTENTION!

Observe the following points while the Autotune routine runs:
Various changes in flow occur.
The power supply of the MFC must not be switched off.
The supply pressure should be kept constant.

While the Autotune routine runs, the MFC does not control. The control valve is driven according to an internally specified scheme. This leads to flow changes, whereby some of the control parameters are adapted to the conditions pertaining in the system. At the end of the Autotune routine, these parameters are stored in the non-volatile memory of the device.

After completion of the Autotune routine, the MFC returns to the previous operating mode.



NOTE

Each MFC has been subjected to the Autotune routine in the factory during final testing at the operating pressure stated in the calibration report. For reliable control operation in a system, it is not absolutely necessary to initiate this function again after commissioning. We recommend renewed initialization if the operating pressure deviates by several bar from the calibration pressure or if the characteristic curve of the proportional valve is heavily influenced by a low valve authority (see *Proportional Valve*). The Autotune routine should also be executed after significant changes in the pressure conditions in the system.

Safety function

This function can be activated or reset via a binary input or field bus, depending on the device configuration.

In this operating mode, the device behaves in general as in standard control operation. However, an externally applied setting is ignored and a defined safety value is used as the setpoint (on default: 0 %; this can be changed with the PC software MassFlowCommunicator).

Setpoint profile

This function can be activated or reset via a binary input or field bus, depending on the device configuration.

In this operating mode, the device behaves in general as in standard control operation. However, the external setting is ignored and a previously defined temporal sequence of up to 30 flow rates is used as the setpoint (configuration with the PC software MassFlowCommunicator).

After completion of the setpoint sequence, the device returns to the previous operating mode.

Control operation

This function can be activated or reset via a binary input or field bus, depending on the device configuration.

In this operating mode, the setpoint is used as the starting value for the valve pulse-duty factor,

e.g.: Setpoint = 10 % → valve pulse-duty factor = 10 %.

Operating modes of the MFC

Operating mode	can be interrupted or ended by	LED display of default	Reaching the operating status via binary input (if configured)
Standard control operation	<ul style="list-style-type: none"> · Autotune routine · Safety function · Setpoint profile · Control operation 	-	-
Control operation	<ul style="list-style-type: none"> · Autotune routine · Safety function · Setpoint profile 	LIMIT (y) LED flashes	as long as activated
Setpoint profile	<ul style="list-style-type: none"> · Autotune routine · Safety function · Device reset 	LIMIT (y) LED flashes	Initiate with activated binary input ≥ 0.5 s (if continuously configured, repeated starts)
Autotune routine	<ul style="list-style-type: none"> · Safety function · Device reset 	POWER LED flashes	Initiate with activated binary input ≥ 0.5 s (if continuously configured, repeated starts)
Safety function	-	LIMIT (y) LED flashes	as long as activated

MAINTENANCE

The MFC and MFM are in principle maintenance-free when operated according to the notes given in these Instructions, so that routine recalibration is unnecessary.

If after prolonged operation with contaminated medium, large quantities of particles were drawn in, with Types 8626 / 8006 / 8710 / 8700 / 8711 / 8701, 8712 / 8702 / 8713 / 8703 / 8716 / 8706 the easily accessible stainless steel filter can be cleaned or replaced after removing the flange plate on the inlet side (see Appendix B).

If the sensor is contaminated by the operating gas, the device may exhibit large deviations from the required flow after prolonged operation. Cleaning and recalibration in the factory will then be necessary.

ATTENTION!

**The device must not be opened!**

Inside the device there are further elements for flow conditioning. Interference with the device, e. g. for cleaning, is not permitted since the resulting changes in the sensor signal would require recalibration in the factory!

MALFUNCTION / TROUBLESHOOTING

MAN 1000011173 ML Version: L Status: PL (released | freigegeben) printed: 14.12.2009

english

Problem	Possible cause	Remedy
"POWER" LED does not light	No electrical supply	Check the electrical connections.
"POWER" LED flashes	Autotune activated	see Section <i>Operating Modes</i>
"POWER" LED extinguishes periodically	Voltage supply collapses periodically - device executes reset	Select a power supply with adequate power.
	Loss on the connecting line too high	- Increase cable cross-section. - Decrease cable length.
"LIMIT (y)" LED lights (<i>only with default configuration</i>)	MFC: correcting variable of valve has reached almost 100 % - cannot correct to setpoint.	- Increase the supply pressure. - Check and if necessary lower the piping resistance. - Check system dimensioning (see Section <i>Proportional Valve</i>)
	MFM: process value has almost reached nominal flow rate.	
"LIMIT (y)" LED flashes (<i>only with default configuration</i>)	Operating mode other than standard control operation or Autotune.	see Section <i>Operating Modes</i>
"ERROR" LED lights	Less serious error has occurred: - Last Autotune was not completed successfully. - A fault at an LED was detected.	- Repeat the Autotune or reset the error. - With errors at LED or binary output, limited operation is possible.
"ERROR" LED flashes	Residual ripple of supply voltage too high.	Select a suitable voltage source (not industrial DC).
	Serious error, e. g. sensor breakage or faulty internal voltage supply.	Send the device to the manufacturer for repair.
No flow present	Setpoint within zero-point switch-off.	Increase setpoint to > 2 % of nominal flow.
	Different operating mode.	Check the operating mode.

Table continued on the next page.

Problem	Possible cause	Remedy
Process value varies	No proper FE connection	Connect the FE to the earthing point (as short as possible, wires min. 2.5 mm ²).
	Controller must continuously correct disturbances in an unstable pressure supply.	Install a suitable pressure regulator upstream.
	Residual ripple of supply voltage too high.	Select a suitable voltage source.
Controller tends to oscillate	Operating pressure lies far above that at which the last Autotune was executed.	Execute an Autotune to adapt to the operating conditions.
	Control parameters do not correspond to the section behaviour.	Adapt the control dynamics with the PC software MassFlowCommunicator.
	A medium is being used other than that intended on calibration.	Return the device to the manufacturer for recalibration for the operating medium.
	Residual ripple of supply voltage too high.	Select a suitable voltage source.
Setpoint value $w = 0$, flow still present after a few seconds	Operating pressure above the leak-tight pressure of the proportional valve.	Lower the operating pressure.
Setpoint value $w = 0$, valve closed, no flow; but process value output shows a small flow	Operating pressure significantly higher than that used for calibration (→ increased intrinsic convection, only with 8716 and 8626)	Execute an Autotune to adapt to the operating conditions.
	Incorrect installation position (→ increased intrinsic convection, only with 8716 and 8626)	Install the MFC in the position calibrated or execute an Autotune to adapt to the operating conditions.
	A medium is being used other than that intended on calibration.	Return the device to the manufacturer for recalibration for the operating medium.
Controller shows strong overshoot starting after a step in the setpoint of 0%.	On using an additional isolation valve, the drive sequence was not adhered to.	See Section <i>Operation with an Additional Isolation Valve</i> .
In the case of flame control, the flame extinguishes after a step in the setpoint.	Flame is starved of oxygen because medium concentration too high.	Activate the ramp function with the PC software MassFlowCommunicator.

APPENDIX A: ACCESSORIES (ELECTRICAL)

MAN 1000011173 ML Version: L Status: PL (released | freigegeben) printed: 14.12.2009

Types	Article	Order no.
8626 / 8006 8712 / 8702 8716 / 8706	Circular plug 8-pole (soldered connection)	918299
	Circular plug 8-pole with 5 m cable, ready-connected on one side	787733
	Circular plug, 8-pole with 10 m cable, ready-connected on one side	787734
	SUB-HD plug, 15-pole with 5 m cable, ready-connected on one side	787735
	SUB-HD plug, 15-pole with 10 m cable, ready-connected on one side	787736
	RS232 adapter for connecting a PC with an extension cable (Order no. 917039)	654757
	Connexion adapter (DB9/m-DB15HD/m) to replace a device Type 8626/8006 built before 2003) by a new one of the same type (built from 2003 on) → no IP65 protection	787923
8711 / 8701 8710 / 8700	SUB-D socket, 15-pole with bell-shaped solder connection	918274
	SUB-D hood for SUB-D socket, 15-pole with screw locking	918408
	SUB-D socket, 15-pole with 5 m cable, ready-connected on one side	787737
	SUB-D socket, 15-pole with 10 m cable, ready-connected on one side	787738
	RS232 adapter for connecting a PC with an extension cable (Order no. 917039)	654748
all types	Extension cable, 2 m, for RS 232 9-pole socket/plug	917039
	Communication software (MassFlowCommunicator)	Info at www.buerkert.com
8713 / 8703	RS 232 adapter for connecting a PC with an extension cable	667 530
	SUB-D-Socket 9-pole (soldered connection)	917 623

english

APPENDIX B: ACCESSORIES (FLUIDIC)

As a general rule, we offer screw-in joints with inch-system threads only. Flange plates with inch-system screw-in threads are hence used. The pipe connection side may be ordered either in metric or inch sizes. Brass versions are available on request.

Screw-in thread to DIN ISO 228/1	Pipe diam. /Ø	Material	Order no.	Order no. for sealing ring
G 1/4"	6 mm	VA	901538	901575
G 1/4"	8 mm	VA	901540	901575
G 3/8"	8 mm	VA	901542	901576
G 3/8"	10 mm	VA	901544	901576
G 1/2"	10 mm	VA	901546	901577
G 1/2"	12 mm	VA	901548	901577
G 3/4"	12 mm	VA	901549	901578
G 1/4"	1/4"	VA	901551	901579
G 1/4"	3/8"	VA	901553	901579
G 3/8"	3/8"	VA	901555	901580
G 3/8"	1/2"	VA	901556	901580
G 1/2"	1/2"	VA	901557	901581
G 1/2"	3/4"	VA	901558	901581
G 3/4"	3/4"	VA	901559	901582

- Sub-base version on request.

ATTENTION!

With each joint a sealing ring must be ordered!

Further accessories for the fluidic connection of the MFC/MFM can be found under Type 1013 in Bürkert Accessory Catalog.

Spare parts

Designation	Order no.
Stainless steel grid* for 8626 / 8006 / 8716 / 8706 (standard housing)	646808
Stainless steel grid* for 8626 / 8006 / 8716 / 8706 (housing for high flow rates)	651694
Stainless steel grid* for 8710 / 8700 / 8711 / 8701 / 8712 / 8702 / 8713 / 8703	654733
Stainless steel grid** for 8710 / 8700 / 8711 / 8712 / 8713	667520

* mesh size: 250 µm, **mesh size: 20 µm



APPENDIX C: MassFlowCommunicator (PC SOFTWARE)

The PC program MassFlowComminucator is designed for communication with the devices from Bürkert's MassFlowController family. It is used for configuration and passing parameters. Further more diagnostic functions are available.

- Diagnostic Data

This function displays for example the internal current and temperature monitoring system.

- Device Settings

Enables to display / configuration the current device status.

- Monitoring

Short overview of all connected devices (with this function to force set points via the connected PC)

- Datalogger

The Datalogger enables the record of the process over a longer period of time (days / weeks)

- Dynamic Reading

Records the parameters setpoint (w), process value (x) and manipulated variable (y_2) in real time and graphs them. The recorded data enables to draw conclusions on the system and its components. Based on the recorded data internal malfunctions can be analysed. The records can be stored as a Windows file and send by e-mail to Bürkert.

The MassFlowCommunicator enables to update the firmware of the device (Flash).



NOTE

The program uses the Windows operating system (ex Windows 98) and requires a serial interface (RS 232 or RS 485) to communicate with the MassFlowControllers or MassFlowMeters.



ATTENTION!

With the types 8710 / 8700, 8711 / 8701, a RS 232 adapter with interface driver is required. With the types 8713 / 8703 the interface driver is integrated in the the RS 485-Interface, the use of the RS 232-Interface requires a RS 232 adapter with interface driver (see ASSECOIRES in APPENDIX A). For a more easy and comfortable connection of the types 8626 / 8006 / 8712 / 8702 / 8716 / 8706 an adapter is also available (see ASSECOIRES in APPENDIX A).

A detailed description of the procedure using the software is available in the help function of software documentation enclosed in the program itself.

The software may be downloaded from: www.buerkert.com

NOTE

|| The downloadfunction always provides the latest version of the MassFlowCommunicator.

Printed documentation

The whole documentation is available on internet under www.buerkert.com, as well as on the Bürkert-Manual CD.



**MassFlowController (MFC)
Typen 8626 / 8710 / 8711 / 8712 / 8713 / 8716****MassFlowMeter (MFM)
Typen 8006 / 8700 / 8701 / 8702 / 8703 / 8706**

ALLGEMEINE HINWEISE	53
Darstellungsmittel	53
Bestimmungsgemäße Verwendung	53
Sicherheitshinweise	53
Schutz gegen Beschädigung durch elektrostatische Aufladung	54
Lieferumfang	54
Garantiebestimmungen	54
SYSTEMBESCHREIBUNG	55
Typensystematik	55
Allgemeine Funktion	56
Sensor	57
Thermisches Messprinzip	57
Inline-Sensor (Typen 8626 / 8006 / 8716 / 8706)	58
Bypass-Sensor konventioneller Technologie "capillary" (Typen 8710 / 8700)	59
Bypass-Sensor in CMOSens®-Technologie (Typen 8713 / 8703 / 8712 / 8702 / 8711 / 8701)	60
Regelelektronik	61
Proportionalventil	62
TECHNISCHE DATEN	65
Typ 8626 / 8006 MASS FLOW INLINE	66
Typ 8710 / 8700 MASS FLOW	67
Typ 8711 / 8701 MASS FLOW CMOSens®	68
Typ 8712 / 8702 MASS FLOW CMOSens®	69
Typ 8713 / 8703 MASS FLOW CMOSens®	70
Typ 8716 / 8706 MASS FLOW INLINE	71

MONTAGE, INSTALLATION UND INBETRIEBNAHME	72
Maßzeichnung	72
Allgemeine Hinweise zu Installation und Betrieb	76
Betrieb mit zusätzlichem Absperrventil	77
Mechanische und fluidische Installation	77
Fluidische Anschlüsse	77
Montage von Klemmringverschraubungen	78
Elektrische Anschlüsse	78
Anschlussbelegung Typ 8626 / 8006	79
Anschlussbelegung Typ 8710 / 8700	80
Anschlussbelegung Typ 8711 / 8701	81
Anschlussbelegung Typ 8712 / 8702	82
Anschlussbelegung Typ 8713 / 8703	83
Anschlussbelegung Typ 8716 / 8706	84
Ein- / Ausgänge	85
Sollwerteingang	85
Istwertausgang	85
Busanschaltung	86
Leuchtdioden zur Anzeige des Betriebszustandes (Default-Belegung)	86
Binäreingänge (Default-Belegung)	86
Binärausgänge (Default-Belegung)	87
Anwendungsspezifische Belegung der Ein- und Ausgänge	87
Betriebszustände MFC	89
Standard-Regelbetrieb	89
Autotune-Routine	89
Sicherheitsfunktion	90
Sollwert-Profil	90
Steuerbetrieb	90
Betriebszustände MFC	91
WARTUNG	92
STÖRUNG / FEHLERSUCHE	93
ANHANG A: ZUBEHÖR (ELEKTRISCH)	95
ANHANG B: ZUBEHÖR (FLUIDISCH)	96
ANHANG C: MASSFLOWCOMMUNICATOR (PC-SOFTWARE)	97

ALLGEMEINE HINWEISE

Darstellungsmittel

In dieser Betriebsanleitung werden folgende Darstellungsmittel verwendet:



markiert einen Arbeitsschritt, den Sie ausführen müssen.



ACHTUNG!

kennzeichnet Hinweise, bei deren Nichtbeachtung Ihre Gesundheit oder die Funktionsfähigkeit des Gerätes gefährdet ist.



HINWEIS

kennzeichnet wichtige Zusatzinformationen, Tipps und Empfehlungen.

Bestimmungsgemäße Verwendung



ACHTUNG!

Zur bestimmungsgemäßen Verwendung gehört insbesondere eine adäquate Mediumsqualität. Stark verschmutzte oder partikelhaltige Medien beeinträchtigen die Genauigkeit; gelangen flüssige Phasen in den Sensorraum, kann das die Funktion des Sensors und des MFC/MFM beeinflussen. In diesen Fällen müssen dem MFC/MFM geeignete Wartungseinheiten (Filter, Flüssigkeitsabscheider) vorgeschaltet werden.

Das Gerät darf nur mit den Werten betrieben werden, die im Kapitel Technische Daten und auf dem Typschild angegeben sind.

Lesen Sie alle Kapitel dieser Bedienungsanleitung sorgfältig durch. Beachten Sie die Vorgaben im Kapitel Allgemeine Sicherheitshinweise.

Die Arbeitsanweisungen in den einzelnen Kapiteln müssen eingehalten und die Sicherheitshinweise unter allen Umständen beachtet werden. Bei nicht beachten der Arbeitsanweisungen und deren Reihenfolge, sowie der Sicherheitshinweise oder der Sicherheitskennzeichnung, erlischt der Haftungsanspruch.

Sicherheitshinweise



- Halten Sie sich bei der Einsatzplanung und dem Betrieb des Gerätes an die allgemeinen Regeln der Technik!
- Installation und Wartungsarbeiten dürfen nur durch Fachpersonal und mit geeignetem Werkzeug erfolgen!
- Beachten Sie die geltenden Unfallverhütungs- und Sicherheitsbestimmungen für elektrische Geräte während des Betriebs und der Wartung des Gerätes!
- Schalten Sie vor Eingriffen in das System in jedem Fall die Spannung ab!
- Treffen Sie geeignete Maßnahmen, um unbeabsichtigtes Betätigen oder unzulässige Beeinträchtigung auszuschließen!
- Bei Nichtbeachtung dieser Hinweise und unzulässigen Eingriffen in das Gerät entfällt jegliche Haftung unsererseits, ebenso erlischt die Garantie auf Geräte und Zubehörteile!

Schutz gegen Beschädigung durch elektrostatische Aufladung



**ACHTUNG
VORSICHT BEI
HANDHABUNG!
ELEKTROSTATISCH
GEFÄHRDETE
BAUELEMENTE/
BAUGRUPPEN**

Das Gerät enthält elektronische Bauelemente, die gegen elektrostatische Entladung (ESD) empfindlich reagieren. Berührung mit elektrostatisch aufgeladenen Personen oder Gegenständen gefährdet diese Bauelemente. Im schlimmsten Fall werden sie sofort zerstört oder fallen nach der Inbetriebnahme aus.

Beachten Sie die Anforderungen nach EN 100 015 - 1, um die Möglichkeit eines Schadens durch schlagartige elektrostatische Entladung zu minimieren bzw. zu vermeiden. Achten Sie ebenso darauf, dass Sie elektronische Bauelemente nicht bei anliegender Versorgungsspannung berühren.

Lieferumfang

Überzeugen Sie sich unmittelbar nach Erhalt der Lieferung, ob der Inhalt mit dem angegebenen Lieferumfang übereinstimmt. Zu diesem gehören:

- MFC bzw. MFM Typ 8626, 8006 oder 87xx
- eine Betriebsanleitung (ggf. auf Datenträger)
- bei Busgeräten Ergänzungen zur Bedienungsanleitung (ggf. auf Datenträger)
- das Protokoll der Endprüfung / Kalibrierung

Die zu den elektrischen Schnittstellen des MFC passenden Stecker erhalten Sie als Zubehör.

Bei Unstimmigkeiten wenden Sie sich bitte umgehend an unser Kundencenter:

Bürkert Steuer- und Regelungstechnik

Kundencenter

Chr.-Bürkert-Str. 13-17

D-76453 Ingelfingen

Tel.: (+49)7940-10111

Fax: (+49)7940-10448

E-mail: info@de.buerkert.com

oder an Ihr Bürkert-Vertriebs-Center.

Garantiebestimmungen

Bürkert gewährt auf die ordnungsgemäße Funktion der MFC bzw. MFM eine Garantie von einem Jahr unter der Voraussetzung, dass das Gerät bestimmungsgemäß und unter Beachtung der spezifizierten Einsatzbedingungen verwendet wird.

Bei nicht einwandfreier Funktion wird das betreffende Gerät innerhalb der Garantiefrist kostenlos repariert bzw. ausgetauscht.



ACHTUNG!

Die Gewährleistung erstreckt sich nur auf den MFC bzw. MFM und seine Bauteile, jedoch nicht auf Folgeschäden irgendwelcher Art, die durch Ausfall oder Fehlfunktion des Gerätes entstehen könnten.

SYSTEMBESCHREIBUNG

Typensystematik

Diese Bedienungsanleitung beinhaltet Informationen für folgende MassFlowController (MFC) und MassFlowMeter (MFM) aus dem Bürkert-Produktprogramm:

Typ	Art	Endwertebereiche Q_{nenn} (l _N /min) bezogen auf Luft / N ₂	Sensor	Bemerkungen
8626	MFC	25 ... 1500	Inline	für Geräte ab Jan. 2003 ¹⁾
8006	MFM	25 ... 1500	Inline	für Geräte ab Jan. 2003 ¹⁾
8716	MFC	25 ... 500	Inline	
8706	MFM	25 ... 1500	Inline	
8713	MFC	0,02 ... 50	Bypass / CMOSens ^{®2)}	
8703	MFM	0,02 ... 50	Bypass / CMOSens [®]	
8712	MFC	0,02 ... 50	Bypass / CMOSens [®]	
8702	MFM	0,02 ... 50	Bypass / CMOSens [®]	
8711	MFC	0,02 ... 50	Bypass / CMOSens [®]	
8701	MFM	0,02 ... 50	Bypass / CMOSens [®]	
8710	MFC	0,005 ... 1	Bypass / Capillary	
8700	MFM	0,005 ... 1	Bypass / Capillary	

¹⁾ Bitte beachten Sie hierzu den Hinweis zu den Gerätetypen 8626/8006 im Abschnitt *Anschlussbelegung Typ 8626/8006*.

²⁾ CMOSens[®] ist ein eingetragenes Warenzeichen der Firma Sensirion AG (Schweiz)

Allgemeine Funktion

Die MFC der Typen 8626 / 8716 / 8713 / 8712 / 8711 / 8710 sind Kompaktgeräte, mit denen der Massendurchfluss von Gasen geregelt wird. Sie regeln einen vorgegebenen Durchfluss-Sollwert aus, unabhängig von Störgrößen wie Druckschwankungen oder zeitlich veränderlichen Strömungswiderständen, z. B. infolge Filterverschmutzung.

Die MFC enthalten die Komponenten Durchflusssensor (Q-Sensor), Elektronik (mit den Funktionen Signalverarbeitung, Regelung und Ventilansteuerung) und ein Proportional-Magnetventil als Stellglied.

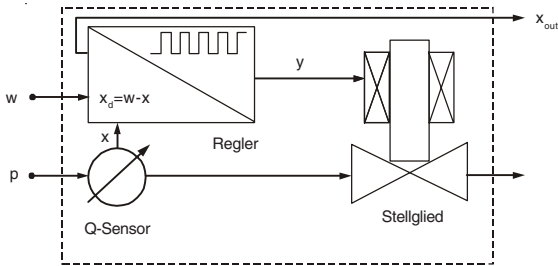


Bild: Komponenten eines Mass Flow Controllers

Die Sollwertvorgabe (w) erfolgt elektrisch über ein Normsignal oder einen Feldbus. Der vom Sensor erfasste Istwert (x) wird im Regler mit dem Sollwert verglichen. Als Stellgröße wird vom Regler ein pulswertenmoduliertes Spannungssignal an das Stellglied gegeben. Das Tastverhältnis des Spannungssignals wird entsprechend der festgestellten Regelabweichung variiert.

Der Istwert wird darüber hinaus über eine analoge elektrische Schnittstelle oder einen Feldbus nach außen gegeben und steht dem Anwender für Kontrollzwecke oder weitere Auswertungen (z.B. Verbrauchsermittlung durch Integration) zur Verfügung.

Das thermische Messprinzip garantiert, dass die MFC's weitgehend unabhängig von Druck- und Temperaturschwankungen in der jeweiligen Anwendung den geforderten Massendurchfluss ausregeln.

In den MFM fehlt gegenüber den entsprechenden MFC jeweils die Komponente Proportionalventil, so dass diese Geräte nur zum Messen des Massendurchflusses, nicht aber zu dessen Regelung eingesetzt werden können. Die im Folgenden beschriebenen Eigenschaften der anderen Komponenten, insbesondere der Sensoren, sind identisch mit denen der MFC.

Sensor

Thermisches Messprinzip

Die verwendeten Durchflusssensoren arbeiten nach einem thermischen (anemometrischen) Messverfahren.

Sie messen jeweils das Produkt aus Dichte und Strömungsgeschwindigkeit und liefern damit ein stoffmengenbezogenes Signal. Dadurch wird die für die meisten Applikationen relevante Größe **Massendurchfluss** direkt und ohne zusätzliche Erfassung von Hilfsgrößen, wie der Dichte, bestimmt und kann im Regler als Istwert weiterverarbeitet werden ¹⁾.

Je nach Durchflussbereich und Zielmarkt der Geräte enthalten die einzelnen Typen Sensoren mit drei verschiedenen Varianten thermischer Durchflussmessung. Diese werden nachfolgend in ihrer Funktion und den resultierenden Eigenschaften kurz beschrieben.



HINWEIS

Bitte berücksichtigen Sie, dass sich die relativen Empfindlichkeiten für verschiedene Gase bei den drei Messprinzipien unterscheiden und eventuell vorliegende Korrekturfaktoren von einem Betriebsgas auf ein anderes keinesfalls zwischen den Sensorvarianten übertragbar sind.

¹⁾ Die üblicherweise zur Messbereichscharakterisierung verwendeten Einheiten „l_n/min“ oder „m_n³/h“ sind zwar von der Dimension „Volumen / Zeit“, wegen des Bezugs auf einen Normzustand (hier p=1013 mbar und T=273 K) handelt es sich aber eigentlich um gasartspezifische Massenströme. Diese können (z.B. in „kg/h“) durch Multiplikation des Normvolumenstroms mit der Dichte des Betriebsgases im Normzustand ρ_n erhalten werden.

Inline-Sensor (Typen 8626 / 8006 / 8716 / 8706)

Dieser Sensor arbeitet als Heißfilm-Anemometer im sogenannten CTA-Betriebsmodus (*Constant Temperature Anemometer*). Dabei sind zwei direkt im Medienstrom befindliche Widerstände mit präzise spezifiziertem Temperaturkoeffizienten und drei außerhalb der Strömung befindliche Widerstände zu einer Brücke verschaltet.

Der erste Widerstand im Medienstrom (R_T) misst die Fluidtemperatur, der zweite niederohmigere Widerstand (R_S) wird stets gerade soweit aufgeheizt, dass er auf einer festen, vorgegebenen Übertemperatur zur Fluidtemperatur gehalten wird. Der dazu erforderliche Heizstrom ist ein Maß für die Wärmeabfuhr durch das strömende Gas und stellt die primäre Messgröße dar.

Eine geeignete Strömungskonditionierung innerhalb des MFC bzw. MFM und die Kalibrierung mit hochwertigen Durchflussnormalen stellen sicher, dass aus dem Primärsignal die pro Zeiteinheit durchströmende Gasmenge mit hoher Genauigkeit abgeleitet werden kann.

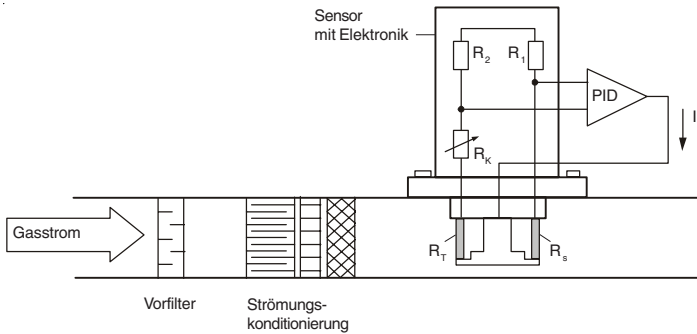


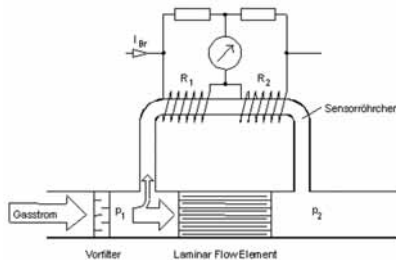
Bild: Funktionsschema des Inline-Sensors

Der direkte Mediumskontakt der im Hauptstrom befindlichen Widerstände R_T und R_S gewährleistet eine sehr gute Dynamik der Geräte mit Ansprechzeiten von wenigen Hundert Millisekunden bei plötzlichen Soll- oder Istwertänderungen. Durch die Anordnung der Widerstände auf einem tangential zur Strömung liegenden Glasträger ist der Sensor nur in geringem Maße verschmutzungsanfällig. Der Messbereich des Inline-Sensors wird durch die Eigenkonvektion im Strömungskanal, die auch bei geschlossenem Regelventil auftritt, nach unten begrenzt. Für Geräte, deren Arbeitsbereich sich bis zu Durchflüssen von unter ca. $1 \text{ l}_N/\text{min}$ erstrecken soll, ist er deshalb nicht geeignet. Das Signal der Eigenkonvektion im Strömungskanal hängt von der Einbaulage des Geräts ab. Um eine hohe Genauigkeit bei geringen Durchflüssen zu erreichen, sollte die Einbaulage mit der bei der Bestellung spezifizierten identisch sein ¹⁾. Aus dem gleichen Grund sollte der Betriebsdruck nicht zu sehr vom Kalibrierdruck abweichen.

¹⁾ Das Gerät wird in der Einbaulage kalibriert, die im Fragebogen im Anhang des Datenblattes angegeben ist.

Bypass-Sensor konventioneller Technologie "capillary" (Typen 8710/8700)

Die Messung erfolgt auch hier nach dem Bypass-Prinzip. Ein Laminar-Flow-Element im Hauptkanal erzeugt einen geringen Druckabfall, welcher einen kleinen Teil des Gesamtdurchflusses, der diesem aber proportional ist, durch das eigentliche Sensorröhrchen treibt. Auf das dünne Edelstahlröhrchen sind zwei Heizwiderstände aufgewickelt, welche in einer Messbrücke verschaltet sind. Bei Durchfluss wird durch die Strömung Wärme in Fließrichtung transportiert und damit die vorher abgegliche Brücke verstimmt.



Funktionsschema des Bypass-Messprinzips "capillary"

Die Dynamik der Messung wird durch die als thermische Barriere wirkende Wandung des Sensorröhrchens bestimmt und ist deshalb prinzipbedingt deutlich schlechter als bei Sensoren mit Widerständen direkt im Mediumsstrom. Durch softwaretechnische Maßnahmen werden im Regler Ausregelzeiten erreicht, die für einen großen Teil der Anwendungen ausreichend sind (im Bereich weniger Sekunden).

Vorgeschaltete Filterelemente sind bei verunreinigten Medien zu empfehlen, um eine Veränderung des Teilverhältnisses zwischen Hauptstrom und Sensorröhrchen sowie eine Veränderung der Wärmeübergänge durch Ablagerung an der Wandung zu verhindern.

Mit diesen Sensoren können z. T. auch aggressive Gase geregelt werden, da alle wesentlichen mediumsberührten Teile aus Edelstahl gefertigt sind.

Außerdem ist bei diesem Sensorprinzip die Umrechnung zwischen verschiedenen Gasen möglich. Eine Auswahl von Faktoren finden Sie in der Tabelle, weitere auf Anfrage.

$$Q(\text{Gas}) = f \times Q(\text{N}_2)$$

Gas	Faktor f
N ₂	1,00
Luft	1,00
O ₂	0,99
H ₂	1,01
Ar	1,4
He	1,41
CO ₂	0,76

Bei Anwendung der Gasfaktoren kann es zu Messfehlern kommen, die außerhalb der Datenblattspezifikation liegen. Bei Anwendungen, die eine hohe Genauigkeit erfordern, wird eine Kalibrierung unter Einsatzbedingungen empfohlen.

Bypass-Sensor in CMOSens®-Technologie (Typen 8713 / 8703 / 8712 / 8702 / 8711 / 8701)

Der Massendurchfluss wird bei dieser Technologie in einem speziell geformten Strömungskanal gemessen, dessen Wandung an einer Stelle einen Si-Chip mit einer freigeätzten Membran enthält. Auf dieser Membran sind in CMOSens®-Technologie ein Heizwiderstand sowie symmetrisch zu diesem stromaufwärts und stromabwärts zwei Temperatursensoren aufgebracht.

Wird der Heizwiderstand mit einer konstanten Spannung gespeist, ist die Differenzspannung der Temperatursensoren ein Maß für den Massendurchfluss des im Strömungskanal über den Chip strömenden Gases.

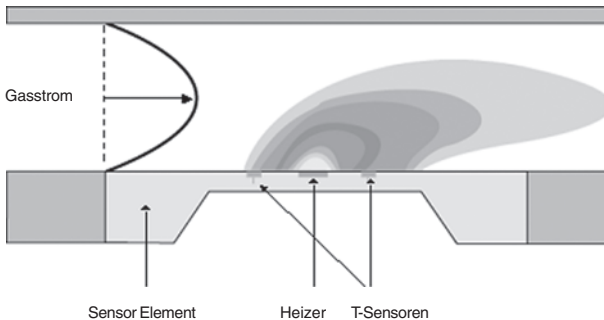


Bild: Prinzipdarstellung des Bypass-Sensor in CMOSens®-Technologie

Der Querschnitt des Strömungskanals ist so klein, dass schon bei Durchflüssen von weniger als $1 \text{ cm}_V^3/\text{min}$ ein ausreichendes Messsignal erzeugt wird. Die obere Messgrenze ist erreicht, wenn die ursprünglich laminare Strömung im Kanal turbulent wird. Höhere Durchflussbereiche kann man erschließen, indem man in einen parallelgeschalteten größeren Kanal ein Bypass-Element einbringt, das die gleiche Durchfluss-Druck-Charakteristik aufweist wie der Sensorkanal. Bei konstantem Teilverhältnis kann dann aus der Messung der Teilmenge nach entsprechender Kalibrierung auf den Gesamtdurchfluss rückgeschlossen werden.

Die geringe thermische Masse der Temperatursensoren und deren direkter Kontakt mit der Strömung (bis auf eine Schutzschicht) haben zur Folge, dass das Sensorsignal auf spontan auftretende Durchflussänderungen sehr schnell reagiert. Dadurch kann der MFC Sollwert- oder Istwertänderungen innerhalb von wenigen 100 ms ausregeln. Darüber hinaus hat der Sensor eine hohe Empfindlichkeit bis hin zu kleinsten Durchflüssen sowie zusätzliche Korrektur- und Diagnosemöglichkeiten über das Signal eines weiteren Temperatursensors auf dem Chip.

Regelelektronik

Die Verarbeitung der aktuellen Soll- und Ist-Durchflüsse und die Ansteuerung des Stellgliedes wird von einer Mikroprozessorelektronik durchgeführt.

Das Sensorsignal wird von der Regelelektronik gefiltert und mit Hilfe der im Gerät hinterlegten Kalibrierkurve in einen dem Ist-Durchfluss entsprechenden Wert umgewandelt.

Damit auch kritische Prozesse geregelt werden können, in denen zu schnelle Durchflussänderungen nicht zulässig sind, kann über die Software "MassFlowCommunicator" eine Rampenfunktion aktiviert werden (siehe Anhang C). Hierbei sind die Parameter für einen steigenden und einen fallenden Sollwert getrennt einstellbar. Näheres zur Rampenfunktion entnehmen Sie der Software-dokumentation.

Regelabweichung:

$$\begin{array}{rcccl} \text{Regelabweichung} & = & \text{Sollwert} & - & \text{Istwert} \\ x_d & = & w & - & x \end{array}$$

Die Regelabweichung wird nach einem PI-Regelalgorithmus verarbeitet.

Die Regelparameter werden typenspezifisch im Werk eingestellt. Um die Eigenschaften der Regelstrecke zu berücksichtigen, arbeitet der Regler mit streckenabhängigen Verstärkungsfaktoren. Beim Ablauf der Autotune-Routine werden diese automatisch ermittelt.

Im Gerät ist ein Parameter hinterlegt, mit dem die Regeldynamik, mit Hilfe der Software "MassFlowCommunicator", verändert werden kann. Seine Extremwerte sind ein sehr schnelles Ausregeln, wobei ggf. Überschwinger in Kauf genommen werden, bzw. ein langsames asymptotisches Ausregeln auf den gewünschten Durchfluss. Ersteres kann dazu führen, dass der Regler schon auf sehr geringe Regelabweichungen sofort reagiert, wodurch die Regelung sehr unruhig werden kann. Bei weniger dynamischen Prozessen kann das Verhalten des Reglers gedämpft werden, so dass kleine Schwankungen beim Istwert oder Sollwert nur langsam ausgeregelt werden.

Als Stellgröße wird an das Proportionalventil ein pulsweitenmoduliertes (PWM-) Signal ausgegeben. Die Frequenz dieses Signals ist auf das jeweils verwendete Ventil abgestimmt.

Um die Dichtschließfunktion des Ventils zu gewährleisten, ist eine Nullpunktabschaltung integriert. Diese wird aktiv, wenn gleichzeitig nachfolgende Bedingungen eintreten:

$$\begin{array}{l} \text{Sollwert} < 2 \% \text{ vom Nenndurchfluss} \\ \text{und Istwert} < 2 \% \text{ vom Nenndurchfluss} \quad ^1) \end{array}$$

Bei aktiver Nullpunktabschaltung wird das PWM-Signal auf 0 % gesetzt, so dass das Ventil komplett geschlossen ist.

¹⁾ Bei den Typen 8711 / 8712 / 8713 größere Regelspanne auf Anfrage

Der Sollwert wird je nach Geräteausführung alternativ über den Normsignaleingang als analoges Signal oder digital über die Feldbusschnittstelle vorgegeben. Unabhängig vom Regelzustand wird der aktuelle, vom Sensor gemessene Durchflusswert analog über den Normsignalausgang bzw. digital über die Feldbusschnittstelle ausgegeben.

Um ein dynamisches bzw. ruhigeres Istwert-Ausgangssignal zu erhalten, lässt sich der Filtergrad des Ausgangssignals mit der Software "MassFlowCommunicator" verändern.

Proportionalventil

In allen MFC-Baureihen werden als Stellglieder direktwirkende Hubanker-Proportional-Ventile aus dem Bürkert-Ventilprogramm eingesetzt. Konstruktive Maßnahmen, insbesondere bei den Ventilen in den MFC für geringe Durchflüsse (Typen 8713 / 8712 / 8711 / 8710), sorgen für eine reibungsarme Führung des bewegten Ankers. Diese stellt in Verbindung mit der PWM- Ansteuerung eine stetige, weitgehend lineare Kennlinie sowie eine hohe Ansprechempfindlichkeit sicher. Beides ist für die optimale Funktion im geschlossenen Regelkreis des MFC wichtig.

Die Nennweiten der Ventile ergeben sich aus dem geforderten Nenndurchfluss Q_{nenn} , den Druckverhältnissen in der Anwendung und der Dichte des Betriebsgases.

Anhand dieser Daten wird vom Hersteller ein Proportionalventil ausgewählt, dessen Durchflussbeiwert k_{Vs} entsprechend der Durchflussgleichungen bei den spezifizierten Druckverhältnissen einen maximalen Durchfluss von mindestens dem geforderten Nenndurchfluss ermöglicht :

a) bei unterkritischer Strömung ($p_2 > p_1/2$) :

$$Q_{\text{max}} = 514 * \sqrt{\frac{\Delta p * p_2}{\rho_N * T_1}} * k_{Vs} > Q_{\text{nenn}} \quad (1)$$

bzw.

b) bei überkritischer Strömung ($p_2 < p_1/2$) :

$$Q_{\text{max}} = 257 * \sqrt{\frac{1}{\rho_N * T_1}} * p_1 * k_{Vs} > Q_{\text{nenn}} \quad (2)$$

Die Drücke p_1 und p_2 in Gleichung (Gl.) (1) und (2) sind dabei auf Messstellen direkt vor bzw. nach dem MFC zu beziehen.

Oftmals sind die Drücke vor und nach dem MFC nicht bekannt, sondern nur die Eingangs- und Ausgangsdrücke p_1' und p_2' für die gesamte Anlage. Ein Teil des Druckabfalls $p_1' - p_2'$ erfolgt dann über andere Strömungswiderstände (Absperrentile, Düsen, Rohrleitungen, Filter etc.), deren Durchflussbeiwert in einer Größe k_{Va} zusammengefasst werden kann.

Aus dem gewünschten Nenndurchfluss Q_{nen} und den Drücken p_1^* und p_2^* ist in diesem Falle analog zu Gl. (1) oder (2) zunächst der minimale Durchflussbeiwert der Gesamtanlage $k_{V_{\text{ges}}}$ zu ermitteln. Über die Beziehung

$$\left(\frac{1}{k_{V_{\text{ges}}}}\right)^2 = \left(\frac{1}{k_{V_s}}\right)^2 + \left(\frac{1}{k_{V_a}}\right)^2 \quad (3)$$

welche die Reihenschaltung der Widerstände des MFC (k_{V_s}) und der Anlage (k_{V_a}) beschreibt, lässt sich bei bekanntem k_{V_a} der erforderliche k_{V_s} -Wert des MFC bzw. die Nennweite des Stellgliedes ermitteln. Diese wird größer ausfallen, als wenn die übrigen Strömungswiderstände nicht vorhanden wären.

Die sogenannte Ventilautorität

$$\psi = \frac{(\Delta p)_{V_0}}{(\Delta p)_0} = \frac{k_{V_s}^2}{[k_{V_a}^2 + k_{V_s}^2]} \quad (4)$$

ist für die Regeleigenschaften des MFC in der Anlage wichtig. Sie sollte nicht unter einem Wert von 0,3 ... 0,5 liegen.

Bedeutung der Formelzeichen:

- $k_{V_{\text{ges}}}$ Durchflussbeiwert der Anlage mit eingebautem MFC
- k_{V_a} Durchflussbeiwert der Anlage ohne eingebauten MFC (kann ermittelt werden, indem man die Leitung am Einbauort des MFC „kurzschließt“)
- k_{V_s} Durchflussbeiwert des MFC bei voll geöffnetem Stellglied in [m^3/h]
- ρ_N Dichte des Mediums in [kg/m^3] unter Normbedingungen (1013 mbar, 273 K)
- T_1 Temperatur des Gases in K
- p_1, p_2 Absolutdrücke in [bar] vor und nach dem MFC
- $\Delta p = p_1 - p_2$
- Q_{max} Maximaldurchfluss des Ventils in [l_N/min]
- Q_{nen} Nenndurchfluss des MFC in [l_N/min], der bei 100 % Sollwert ausgeregelt wird
- $(\Delta p)_0$ Druckabfall über die gesamte Anlage
- $(\Delta p)_{V_0}$ der Anteil davon, der über den MFC bei voll geöffnetem Ventil abfällt.

**HINWEIS**

Die Anlage darf von ihrem Strömungsbeiwert (k_{va}) her nicht so knapp ausgelegt sein, dass beim gewünschten Nenndurchfluss schon der weitaus größte Teil des verfügbaren Druckabfalles dort verbraucht und dann die Ventillinnenweite des MFC so groß gewählt wird ($k_{vs} \gg k_{va}$), dass über den MFC nur noch der geringe verbleibende Rest des Druckes abfällt. Dann wird die Ventilautorität zu klein und nur ein geringer Teil des Arbeitsbereiches des Ventils genutzt. Das kann die Auflösung und die Regelgüte im allgemeinen stark beeinträchtigen.

Bei zu „knapper“ Auslegung der Anlage hilft nicht die Erhöhung der Nennweite des MFC-Ventils, sondern vielmehr entweder eine Erhöhung des Vordrucks bzw. eine Vergrößerung des k_{va} -Wertes, z.B. durch größere Rohrdurchmesser, mit der die Ventilautorität im zulässigen Bereich gehalten wird.

Wenn das Gerät innerhalb des spezifizierten Druckbereichs betrieben wird, übernimmt das Proportionalventil gleichzeitig mit der Regelfunktion auch die Dichtschließfunktion.

TECHNISCHE DATEN

Umweltprüfungen

- Temperaturwechsel nach EN 60068-2-14, Nb und EN 60068-2-33
- Feuchte Wärme nach EN 60068-2-38, Z/AD
- Schocken nach EN 60068-2-27
- Schwingen nach EN 60068-2-6
- IP-Schutzart nach EN 60529
- Freifallen nach EN 60068-2-32
- UPS-Falltest nach DIN ISO 2248 und DIN ISO 2206

Elektromagnetische Verträglichkeit (EMV)

Alle Geräte sind CE-konform für den Bereich Industrie und haben die damit verbundenen EMV-Prüfungen nach

EN 50081-2:03/94 „Fachgrundnorm Störaussendung; Teil 2: Industriebereich“
EN 50082-2:02/96 „Fachgrundnorm Störfestigkeit; Teil 2: Industriebereich“

bestanden.

Kommunikations-Schnittstelle

RS232: Direkter Anschluss an PC über RS232-Adapter, Kommunikation mit spezieller Software (MassFlowCommunicator – siehe Anhang C).

Für die Typen 8711 / 8701, 8713 / 8703 und 8710 / 8700 ist ein externer Schnittstellentreiber notwendig (im Adapter für diese Typen ist dieser Treiber integriert - siehe Anhang A).

RS485: Anschluss über RS485-Adapter (außer Typen 8713 / 8703)

BUS: Profibus DP- oder DeviceNet - Anschaltung (nur Bus-Geräte)

Dichtwerkstoffe

FKM (andere Dichtmaterialien auf Anfrage)

Die Verträglichkeit des Dichtwerkstoffes mit den gängigen Betriebsmedien entnehmen Sie den Bürkert-Beständigkeitstabellen.



ACHTUNG!

Die Angaben in dieser Tabelle haben orientierenden Charakter und ersetzen nicht eigene Tests unter den jeweiligen Betriebsbedingungen. Insbesondere kann aus ihnen keine Gewährleistung für die Medienverträglichkeit abgeleitet werden.

Typ 8626 / 8006 MASS FLOW INLINE

Endwertebereich (Q_{nenn})	25 ... 1500 l _N /min (Bezugsmedium N ₂)
Betriebsmedien	neutrale, nicht kontaminierte Gase, andere auf Anfrage
max. Betriebsdruck	10 bar, abhängig von der Ventillinnenweite
Kalibriermedium	Betriebsgas oder Luft
Mediumtemperatur	-10 ... + 70 °C
Umgebungstemperatur	-10 ... + 45 °C
Messgenauigkeit (nach 15 min. Aufwärmzeit)	± 1,5 % v. M. ± 0,3 % v. E.
Linearität	± 0,25 % v. E.
Reproduzierbarkeit	± 0,1 % v. E.
Messspanne	1 : 50
Ausregelzeit ($T_{95\%}$)	< 500 ms
Betriebsspannung	24 V DC ± 10 %; Restwelligkeit < 5 %
Anschlussquerschnitt	min. 0,5 mm ² (0,75 mm ² bei Ventil Typ 2836)
Leistungsaufnahme	20 W - max. 50 W (Typ 8626, abh. vom Ventil) 22,5 W - max. 52,5 W (Typ 8626 Bus, abh. vom Ventil) 10 W (Typ 8006) 12,5 W (Typ 8006 Bus)
Galvanische Trennung	ja
Sollwertvorgabe (wählbar)	0 ... 10 V 0 ... 5 V 0 ... 20 mA 4 ... 20 mA
Auflösung	2,5 mV bzw. 5 µA
Eingangsimpedanz (Spannungseingang)	> 20 kOhm
Eingangsimpedanz (Stromeingang)	< 300 Ohm
3 Binäreingänge	Low-aktiv, zur Aktivierung mit GND verbinden
Istwertausgabe (wählbar)	0 ... 10 V 0 ... 5 V 0 ... 20 mA 4 ... 20 mA
Auflösung	10 mV bzw. 20 µA
max. Strom (Spannungsausgang)	10 mA
max. Bürde (Stromausgang)	600 Ohm
2 Relaisausgänge	Potentialfreie Wechsler 60 V, 1 A, 60 VA
Anschlüsse	8pol. Buchse 15pol. SUB-HD-Buchse 9pol. SUB-D-Buchse (nur bei Busausführung)
Schutzart	IP 65 (mit den vorgeschriebenen Steckern)
Werkstoff Gehäuse	Aluminium (eloxiert) oder Edelstahl 1.4305
Werkstoff Deckel	Aluminium Druckguss lackiert
Einbaulage	horizontal oder vertikal

Typ 8710 / 8700 MASS FLOW

Endwertebereich (Q_{nenn})	0,005 ... 1,0 l _N /min (Bezugsmedium N ₂)
Betriebsmedien	neutrale, nicht kontaminierte Gase; andere auf Anfrage
max. Betriebsdruck (Eingangs- / Vordruck)	10 bar, abhängig von der Ventillinnenweite
Kalibriermedium	Betriebsgas oder Luft
Mediumtemperatur	-10 ... +70 °C
Umgebungstemperatur	-10 ... +50 °C
Messgenauigkeit (nach 30 min. Aufwärmzeit)	± 1,5 % v. M. ± 0,3 % v. E.
Linearität	± 0,25 % v. E.
Reproduzierbarkeit	± 0,1 % v. E.
Messspanne	1 : 50
Ausregelzeit ($T_{95\%}$)	< 3 s
Betriebsspannung	24 V DC ± 10 %; Restwelligkeit < 5 %
Anschlussquerschnitt	min. 0,25 mm ² (besser 0,5 mm ²)
Leistungsaufnahme	max. 6,5 W (abhängig vom Ventil) / max. 9 W (bei Busausführung)
Galvanische Trennung	nein
Sollwertvorgabe (wählbar)	0 ... 10 V 0 ... 5 V 0 ... 20 mA oder 4 ... 20 mA
Auflösung	2,5 mV bzw. 5 µA
Eingangsimpedanz (Spannungseingang)	> 20 kOhm
Eingangsimpedanz (Stromeingang)	< 300 Ohm
2 Binäreingänge	Low-aktiv, zur Aktivierung mit GND verbinden
Istwertausgabe (wählbar)	0 ... 10 V 0 ... 5 V 0 ... 20 mA oder 4 ... 20 mA
Auflösung	10 mV bzw. 20 µA
max. Strom (Spannungsausgang)	10 mA
max. Bürde (Stromausgang)	600 Ohm
1 Relaisausgänge	Potentialfreier Wechsler 25 V, 1 A, 25 VA
Anschlüsse	15pol. SUB D Stecker 5 pol. M12 Stecker (nur bei DeviceNet) 5 pol. M12 Buchse B-codiert (nur bei Profibus DP)
Schutzart	IP 50
Werkstoff Gehäuse	Aluminium oder Edelstahl
Werkstoff Deckel	PBT
Einbaulage	horizontal oder vertikal

Typ 8711 / 8701 MASS FLOW CMOSens®

Endwertebereich (Q_{nenn})	0,02 ... 50 l _N /min (Bezugsmedium N ₂)
Betriebsmedien	neutrale, nicht kontaminierte Gase, andere auf Anfrage
max. Betriebsdruck (Eingangs- / Vordruck)	10 bar, abhängig von der Ventillinnenweite
Kalibriermedium	Betriebsgas oder Luft
Mediumtemperatur	-10 ... + 70 °C
Umgebungstemperatur	-10 ... + 50 °C
Messgenauigkeit (nach 1 min. Aufwärmzeit)	± 0,8 % v. M. ± 0,3 % v. E.
Linearität	± 0,1 % v. E.
Reproduzierbarkeit	± 0,1 % v. E.
Messspanne	1 : 50, höhere Messspanne auf Anfrage
Ausregelzeit ($T_{95\%}$)	< 300 ms
Betriebsspannung	24 V DC ± 10 %; Restwelligkeit < 5 %
Anschlussquerschnitt	min. 0,25 mm ² (besser 0,5 mm ²)
Leistungsaufnahme	max. 13 W (abhängig vom Ventil)
Galvanische Trennung	nein
Sollwertvorgabe (wählbar)	0 ... 10 V 0 ... 5 V 0 ... 20 mA oder 4 ... 20 mA
Auflösung	2,5 mV bzw. 5 µA
Eingangsimpedanz (Spannungseingang)	> 20 kOhm
Eingangsimpedanz (Stromeingang)	< 300 Ohm
2 Binäreingänge	Low-aktiv, zur Aktivierung mit GND verbinden
Istwertausgabe (wählbar)	0 ... 10 V 0 ... 5 V 0 ... 20 mA oder 4 ... 20 mA
Auflösung	10 mV bzw. 20 µA
max. Strom (Spannungsausgang)	10 mA
max. Bürde (Stromausgang)	600 Ohm
1 Relaisausgang	Potentialfreier Wechsler 25 V, 1 A, 25 VA
Anschlüsse	15pol. SUB-D-Stecker 5 pol. M12 Stecker (nur bei DeviceNet) 5 pol. M12 Buchse B-codiert (nur bei Profibus DP)
Schutzart	IP 50
Werkstoff	
Gehäuse	Aluminium oder Edelstahl
Deckel	Stahlblech verchromt oder PBT
Einbaulage	horizontal oder vertikal

Typ 8712 / 8702 MASS FLOW CMOSens®

Endwertebereich (Q_{nenn})	0,02 ... 50 l _N /min (Bezugsmedium N ₂)
Betriebsmedien	neutrale, nicht kontaminierte Gase, andere auf Anfrage
max. Betriebsdruck	10 bar, abhängig von der Ventiltinnenweite
Kalibriermedium	Betriebsgas oder Luft
Mediumstemperatur	-10 ... + 70 °C
Umgebungstemperatur	-10 ... + 50 °C
Messgenauigkeit (nach 1 min. Aufwärmzeit)	± 0,8 % v. M. ± 0,3 % v. E.
Linearität	± 0,1 % v. E.
Reproduzierbarkeit	± 0,1 % v. E.
Messspanne	1 : 50; höhere Messspanne auf Anfrage
Ausregelzeit ($T_{95\%}$)	< 300 ms
Betriebsspannung	24 V DC ± 10 %; Restwelligkeit < 5 %
Anschlussquerschnitt	min. 0,25 mm ² (besser 0,5 mm ²)
Leistungsaufnahme	max. 6,5 W (Typ 8712) max. 9 W (Typ 8712 Bus) 2,5 W (Typ 8702) 5 W (Typ 8702 Bus)
Galvanische Trennung	ja
Sollwertvorgabe (wählbar)	0 ... 10 V 0 ... 5 V 0 ... 20 mA 4 ... 20 mA
Auflösung	2,5 mV bzw. 5 µA
Eingangsimpedanz (Spannungseingang)	> 20 kOhm
Eingangsimpedanz (Stromeingang)	< 300 Ohm
3 Binäreingänge	Low-aktiv, zur Aktivierung mit GND verbinden
Istwertausgabe (wählbar)	0 ... 10 V 0 ... 5 V 0 ... 20 mA 4 ... 20 mA
Auflösung	10 mV bzw. 20 µA
max. Strom (Spannungsausgang)	10 mA
max. Bürde (Stromausgang)	600 Ohm
2 Relaisausgänge	Potentialfreie Wechsler 60 V, 1 A, 60 VA
Anschlüsse	8pol. Buchse 15pol. SUB-HD-Buchse 9pol. SUB-D-Buchse (nur bei Busausführung)
Schutzart	IP 65 (mit den vorgeschriebenen Steckern)
Werkstoff Gehäuse / Deckel	Edelstahl 1.4305 / PBT
Einbaulage	horizontal oder vertikal

Typ 8713 / 8703 MASS FLOW CMOSens®

Endwertebereich (Q_{nenn})	0,02 ... 50 l _N /min (Bezugsmedium N ₂)
Betriebsmedien	neutrale, nicht kontaminierte Gase, andere auf Anfrage
max. Betriebsdruck	10 bar, abhängig von der Ventillinnenweite
Kalibriermedium	Betriebsgas oder Luft
Mediumtemperatur	-10 ... + 70 °C
Umgebungstemperatur	-10 ... + 50 °C
Messgenauigkeit (nach 1 min. Aufwärmzeit)	± 0,8 % v. M. ± 0,3 % v. E.
Linearität	± 0,1 % v. E.
Reproduzierbarkeit	± 0,1 % v. E.
Messspanne	1 : 50; höhere Messspanne auf Anfrage
Ausregelzeit ($T_{95\%}$)	< 300 ms
Betriebsspannung	24 V DC ± 10 %; Restwelligkeit < 5 %
Anschlussquerschnitt	min. 0,25 mm ² (besser 0,5 mm ²)
Leistungsaufnahme	max. 6,5 W
Galvanische Trennung	ja
Sollwertvorgabe	Digitale Kommunikation über RS 485
1 Binäreingang	Low-aktiv, zur Aktivierung mit GND verbinden
Istwertausgabe	Digitale Kommunikation über RS 485
1 Relaisausgang	Potentialfreie Wechsler 25 V, 1 A, 25 VA
Anschlüsse	9pol. SUB-D-Stecker
Schutzart	IP 50
Werkstoff Gehäuse / Deckel	Aluminium oder Edelstahl 1.4305 / Stahlblech, verchromt
Einbaulage	horizontal oder vertikal

deutsch

MAN 1000011173 ML Version: L Status: PL (released | freigegeben) printed: 14.12.2009

Typ 8716 / 8706 MASS FLOW INLINE

Endwertebereich (Q_{nenn})	8716: 25 ... 500 l_N/min (Bezugsmedium N_2) 8706: 25 ... 1500 l_N/min (Bezugsmedium N_2)
Betriebsmedien	neutrale, nicht kontaminierte Gase; andere auf Anfrage
max. Betriebsdruck	10 bar, abhängig von der Ventillinnenweite
Kalibriermedium	Betriebsgas oder Luft
Mediumstemperatur	-10 ... + 70 °C
Umgebungstemperatur	-10 ... + 45 °C
Messgenauigkeit (nach 15 min. Aufwärmzeit)	± 1,5 % v. M. ± 0,3 % v. E.
Linearität	± 0,25 % v. E.
Reproduzierbarkeit	± 0,1 % v. E.
Messspanne	1 : 50
Ausregelzeit ($T_{95\%}$)	< 500 ms
Betriebsspannung	24 V DC ± 10 %; Restwelligkeit < 5 %
Anschlussquerschnitt	min. 0,5 mm ²
Leistungsaufnahme	20 W - max. 30 W (Typ 8716, abh. vom Ventil) 22,5 W - max. 32,5 W (Typ 8716 Bus, abh. vom Ventil) 10 W (Typ 8706) 12,5 W (Typ 8706 Bus)
Galvanische Trennung	ja
Sollwertvorgabe (wählbar)	0 ... 10 V, 0 ... 5 V, 0 ... 20 mA, 4 ... 20 mA
Auflösung	2,5 mV bzw. 5 µA
Eingangsimpedanz (Spannungseingang)	> 20 kOhm
Eingangsimpedanz (Stromeingang)	< 300 Ohm
3 Binäreingänge	Low-aktiv, zur Aktivierung mit GND verbinden
Istwertausgabe (wählbar)	0 ... 10 V, 0 ... 5 V, 0 ... 20 mA, 4 ... 20 mA
Auflösung	10 mV bzw. 20 µA
max. Strom (Spannungsausgang)	10 mA
max. Bürde (Stromausgang)	600 Ohm
2 Relaisausgänge	Potentialfreie Wechsler 60 V, 1 A, 60 VA
Anschlüsse	8pol. Buchse; 15pol. SUB-HD-Buchse; 9pol. SUB-D-Buchse (nur bei Busausführung)
Schutzart	IP 65 (mit den vorgeschriebenen Steckern)
Werkstoff Gehäuse	Aluminium (eloxiert) oder Edelstahl 1.4305
Werkstoff Deckel	PBT
Einbaulage	horizontal oder vertikal

MONTAGE, INSTALLATION UND INBETRIEBNAHME

Maßzeichnungen

deutsch

MAN 1000011173 ML Version: L Status: RL (released | freigegeben) printed: 14.12.2009

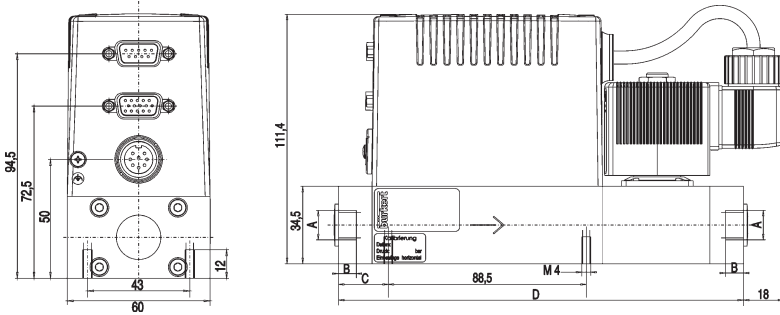


Bild: Typ 8626 / 8006 MASS FLOW INLINE (Ausführung mit Ventil 6022 und Standard-Sensorblock)

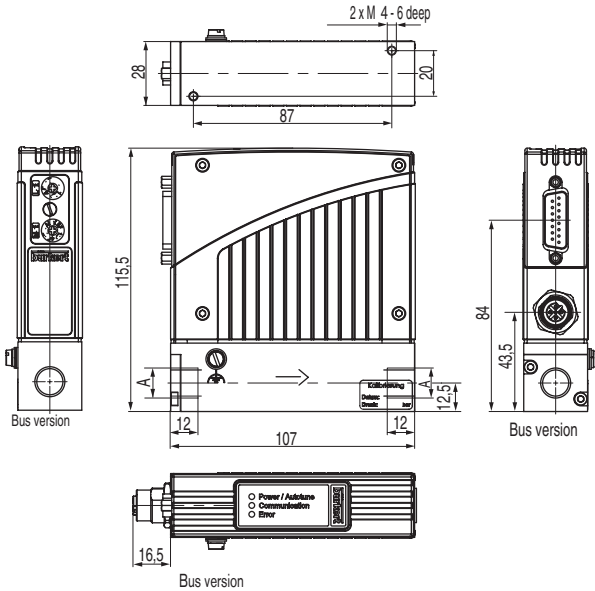


Bild.: Typ 8710 / 8700 MASS FLOW CAPILLARY / Typ 8711/8701 MASS FLOW CMOSens®

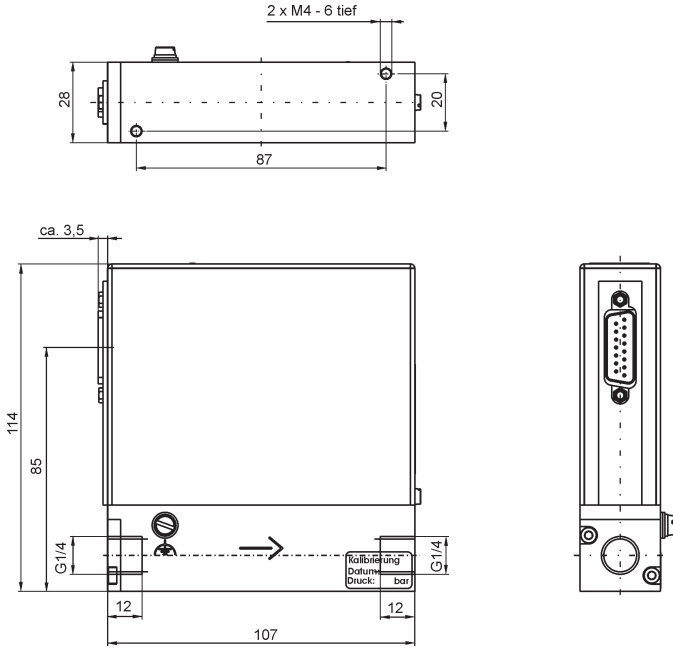


Bild: Typ 8711 / 8701 MASS FLOW CMOSens® (mit Stahlblechdeckel)

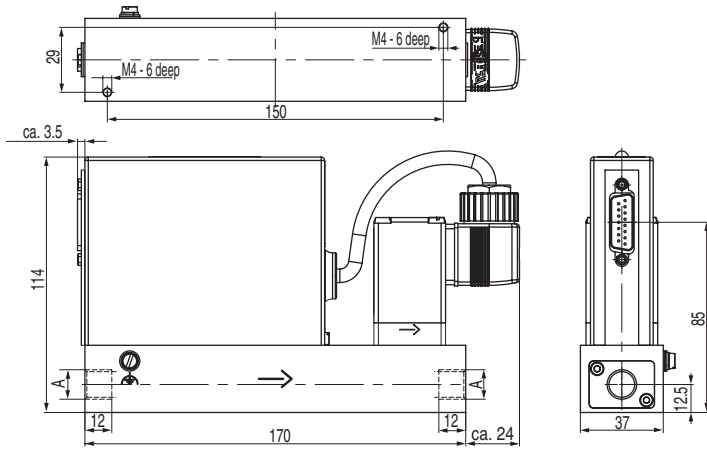


Bild: Typ 8711 mit externem Ventil

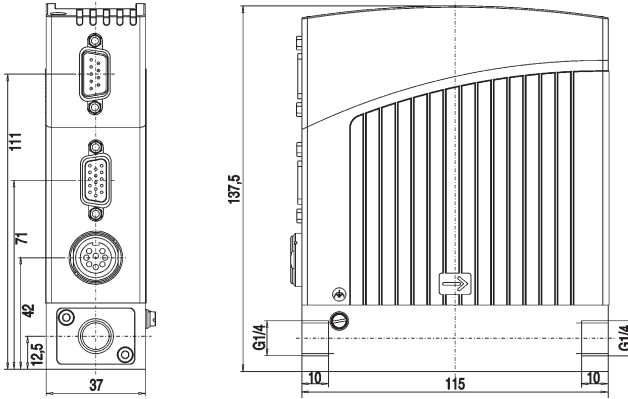


Bild: Typ 8712 / 8702 MASS FLOW CMOSens®

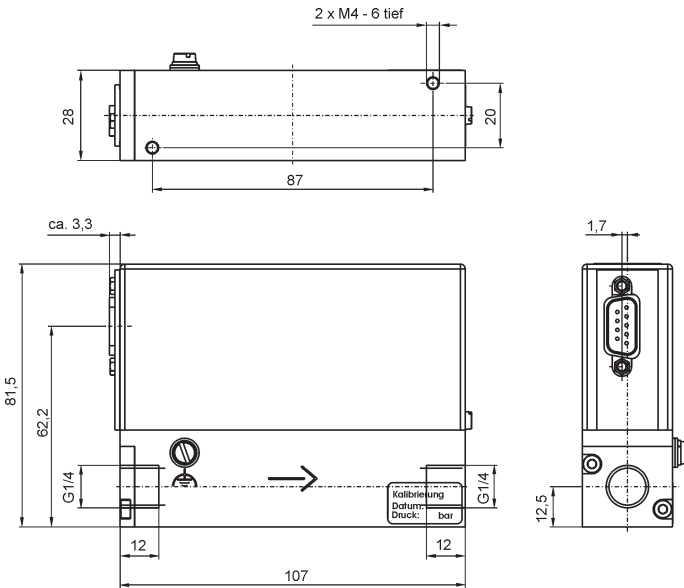


Bild: Typ 8713 / 8703 MASS FLOW CMOSens®

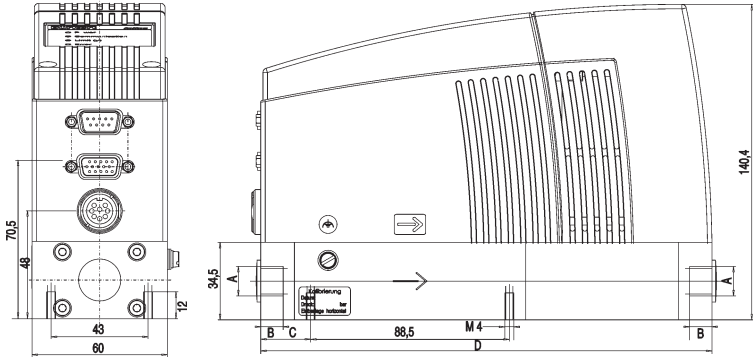


Bild: Typ 8716 / 8706 MASS FLOW INLINE (mit Standard-Sensorblock)



Allgemeine Hinweise zu Installation und Betrieb

Beachten Sie vor der Installation:

- Schalten Sie geeignete Filter vor, um die Sauberkeit des Betriebsmediums zu gewährleisten.
- Beachten Sie die Einbaulage (siehe Kalibrierdaten).
- Sehen Sie ein Netzteil mit ausreichender Leistung vor.
- Beachten Sie die max. Restwelligkeit der Betriebsspannung.
- Entfernen Sie vor dem Einbau des MFC Verschmutzungen aus den Rohren.

Gehen Sie bei der Inbetriebnahme eines MFC/MFM in der beschriebenen Reihenfolge vor:

1. Mechanische und fluidische Installation
2. Elektrische Installation
3. Beaufschlagen mit Betriebsmedium
4. Regulärer Arbeitsbetrieb

HINWEIS

Die festgelegte Genauigkeit wird erst dann erreicht, wenn nach dem Einschalten die thermischen Ausgleichsvorgänge abgelaufen sind und das Gerät seine Betriebstemperatur erreicht hat (die Zeit ist abhängig vom Gerätetyp, siehe *Technische Daten*).

Betrieb mit zusätzlichem Absperrventil

Das im MFC integrierte Proportionalventil übernimmt die Dichtschließfunktion, dadurch ist ein zusätzliches Absperrventil in dem Medienkreis nicht erforderlich. Falls aus sicherheitstechnischen Gesichtspunkten dennoch ein zusätzliches Absperrventil vor bzw. hinter dem MFC gesetzt wird, sollte die Ansteuerung in folgender Reihenfolge stattfinden:

Start

1. Druckversorgung anschließen
2. Öffnen des Absperrventils
3. Sollwertvorgabe MFC (normaler Regelbetrieb)

Abschalten

1. Sollwertvorgabe MFC auf 0 % setzen
2. Schließen des Absperrventils, wenn Istwert = 0 % erreicht ist

Eine andere Reihenfolge kann dazu führen, dass es beim erneuten Öffnen des Absperrventils auch bei einem Sollwert Null zu einem kurzen Durchflussimpuls kommt bzw. bei der ersten Sollwertvorgabe ein deutlicher Überschwinger auftritt.

Mechanische und fluidische Installation

Wählen Sie die verfügbaren fluidischen Anschlüsse passend zum maximalen Durchfluss. Einlaufstrecken sind nicht erforderlich. Falls notwendig liefern wir auch Sondergrößen, wobei die Auslegung der fluidischen Anlage hinsichtlich Strömung und Druckabfall berücksichtigt werden muss.

Fluidische Anschlüsse

Die Geräte können auf Wunsch auch mit montierten, fluidischen Anschlüssen geliefert werden. Bitte wählen Sie die entsprechenden fluidischen Anschlüsse aus der Tabelle im Anhang B aus.

Anschlüsse am MFC/MFM

Typ	Standard-Einschraubgewinde				Sonder-Einschraubgewinde				Flansch- aus- führung
	G 1/4"	G 3/8"	G 1/2"	G 3/4"	NPT 1/4	NPT 3/8	NPT1/2	NPT3/4	
8626	X	X	X	X	X	X	X	X	
8006	X	X	X	X	X	X	X	X	
8716	X	X	X	X	X	X	X	X	
8706	X	X	X	X	X	X	X	X	
8713	X				X				X
8703	X				X				X
8712	X				X				X
8702	X				X				X
8711	X				X				X
8701	X				X				X
8710	X				X				X
8700	X				X				X

Montage von Klemmringverschraubungen

ACHTUNG!

Achten Sie bei geringen Durchflüssen und hohen Drücken besonders auf die Dichtheit des Systems, um Fehllosierungen bzw. die Leckage von Gasen zu vermeiden.

Um das System einwandfrei abzudichten, gehen Sie bei der Montage wie folgt vor:

- Rohrverbindungen spannungsfrei montieren (gegebenenfalls Kompensatoren verwenden).
- Rohr mit passendem Durchmesser und glatter Oberfläche verwenden.
- Rohr gerade absägen und entgraten.
- Überwurf, Stützring (falls vorhanden) und Klemmring in der genannten Reihenfolge auf das Rohr schieben.
- Rohr bis zum Anschlag in die Verschraubung einführen.
- Überwurf handfest anziehen.
- Mit Schlüssel an der Einschraubseite gehalten (nicht das Gerätegehäuse belasten) und 1 ¼ Umdrehungen anziehen.

Elektrische Anschlüsse

ACHTUNG!

Verbinden Sie zur Gewährleistung der elektromagnetischen Verträglichkeit (EMV) das Gehäuse über ein möglichst kurzes Kabel (Querschnitt so groß wie möglich) mit der Funktionserde (FE).

Die GND- oder Masse-Leitungen aller Signale des MFC/MFM müssen in jedem Fall einzeln an den MFC herangeführt werden. (Werden alle GND-Signale direkt am MFC gebrückt und nur eine gemeinsame Leitung zum Schaltschrank geführt, kann es zu Signalverschiebungen sowie Störungen (Impulse, Schwingungen usw.) der analogen Signale kommen).

Die MFC/MFM werden mit einer 24V-Gleichspannungsversorgung betrieben. Wählen Sie den Anschlussquerschnitt abhängig vom verwendeten Ventil und möglichst groß (siehe *Technische Daten*). Geeignete Anschlusskabel finden Sie im Anhang A.

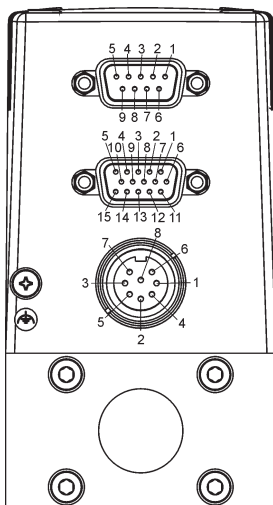
ACHTUNG!

Der 8-polige Rundstecker (Typen 8626 / 8006 / 8712 / 8702 / 8716 / 8706) darf nur handfest angezogen werden.

- Schließen Sie die Funktionserde (FE) an der gekennzeichneten Schraube an, z.B. mit Hilfe einer Ringzunge.

Anschlussbelegung Typ 8626 / 8006

MAN 1000011173 ML Version: L Status: PL (released | freigegeben) printed: 14.12.2009



8pol. Buchse (rund)	
1	24V - Versorgung +
2	Relais 1 Mittelkontakt
3	Relais 2 Mittelkontakt
4	Relais 1 - Öffner
5	Relais 1 - Schliesser
6	24V - Versorgung GND
7	Relais 2 - Schliesser
8	Relais 2 - Öffner

9pol. Sub-D-Buchse (nur bei Busausführung)		
	PROFIBUS DP	DeviceNet
1	Schirm (FE) Funktionserde	
2	N. C. (not connected)	CAN_L Datenleitung
3	RxD/TxD-P B-Leitung	GND
4	RTS Steuersignal für Repeater	N. C.
5	GND Datenübertragungspotential	N. C.
6	VDD Versorgungsspannung + (P5V)	N. C.
7	N. C.	CAN_H Datenleitung
8	RxD/TxD-N A- Leitung	N. C.
9	N. C.	N. C.

15pol. Sub-HD-Buchse		
	analoge Ansteuerung	Busausführung
1	Sollwerteingang +	N. C.
2	Sollwerteingang GND	N. C.
3	Istwertausgang +	N. C.
4	Binäreingang 2	
5	12V-Ausgang (nur werksinterne Verwendung)	
6	RS232 TxD (direkter Anschluss an PC)	
7	Binäreingang 1	
8	DGND (für Binäreingänge)	
9	nur werksinterne Verw. (nicht belegen!)	
10	12V-Ausgang (nur werksinterne Verwendung)	
11	12V-Ausgang (nur werksinterne Verwendung)	
12	Binäreingang 3	
13	Istwertausgang GND	N. C.
14	RS232 RxD (direkter Anschluss an PC)	
15	DGND (für RS232-Schnittstelle)	

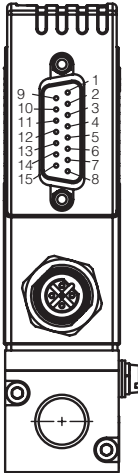


HINWEIS

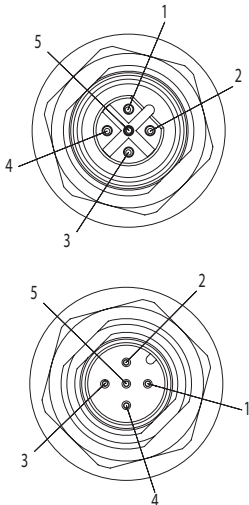
Soll ein Gerät des Typs 8626/8006 vor Baujahr 2003 durch ein neueres (ab Baujahr 2003) ersetzt werden, so kann dies mit Hilfe eines Adapters (siehe Anhang A) ohne zusätzlichen Verkabelungsaufwand geschehen.

Anschlussbelegung Typ 8710 / 8700
deutsch

MAN 1000011173 ML Version: L Status: PL (released | freigegeben) printed: 14.12.2009



15pol. Sub-D-Stecker	
1	Relais - Öffner
2	Relais - Schließer
3	Relais - Mittelkontakt
4	GND für 24 V-Versorgung und Binäreingänge
5	24 V-Versorgung +
6	8 V-Ausgang (nur werksinterne Verwendung)
7	Sollwerteingang GND
8	Sollwerteingang +
9	Istwertausgang GND
10	Istwertausgang +
11	DGND (für RS 232)
12	Binäreingang 1
13	Binäreingang 2
14	RS 232 RxD (ohne Treiber)
15	RS 232 TxD (ohne Treiber)

Nur bei Feldbusausführung

**Profibus DP-Buchse B-codiert M12
(DPV1 max. 12 Mbaud)**

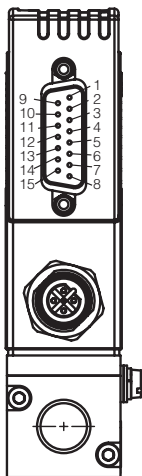
PIN	Belegung
1	VDD
2	R x D / T x D - N (A-Leitung)
3	DGND
4	R x D / T x D - P (B-Leitung)
5	Schirm

DeviceNet - Stecker M12

PIN	Belegung
1	Schirm
2	VDD
3	DGND
4	CAN_H
5	CAN_L

Anschlussbelegung Typ 8711 / 8701

MAN 1000011173 ML Version: L Status: PL (released | freigegeben) printed: 14.12.2009

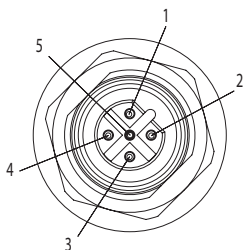


15pol. Sub-D-Stecker	
1	Relais - Öffner
2	Relais - Schließer
3	Relais - Mittelkontakt
4	GND für 24 V-Versorgung und Binäreingänge
5	24 V-Versorgung +
6	8 V-Ausgang (nur werksinterne Verwendung)
7	Sollewerteingang GND
8	Sollwerteingang +
9	Istwertausgang GND
10	Istwertausgang +
11	DGND (für RS 232)
12	Binäreingang 1
13	Binäreingang 2
14	RS 232 RxD (ohne Treiber)
15	RS 232 TxD (ohne Treiber)

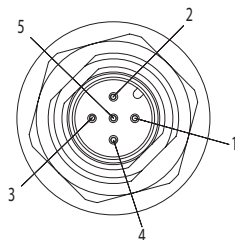
deutsch

Nur bei Feldbusausführung

Profibus DP-Buchse B-codiert M12 (DPV1 max. 12 Mbaud)



PIN	Belegung
1	VDD
2	R x D / T x D - N (A-Leitung)
3	DGND
4	R x D / T x D - P (B-Leitung)
5	Schirm

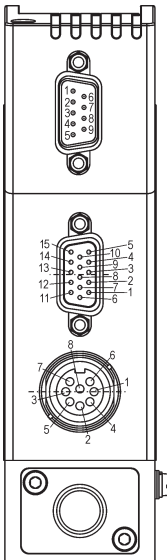


DeviceNet - Stecker M12

PIN	Belegung
1	Schirm
2	VDD
3	DGND
4	CAN_H
5	CAN_L

Anschlussbelegung Typ 8712 / 8702
deutsch

MAN 1000011173 ML Version: L Status: PL (released | freigegeben) printed: 14.12.2009

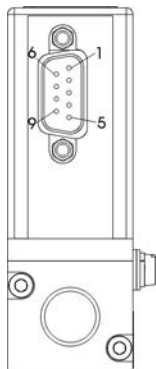


9pol. Sub-D-Buchse (nur bei Busausführung)		
	PROFIBUS DP	DeviceNet
1	Schirm (FE) Funktionserde	
2	N. C. (not connected)	CAN_L Datenleitung
3	RxD/TxD-P B-Leitung	GND
4	RTS Steuersignal für Repeater	N. C.
5	GND Datenübertragungspotential	N. C.
6	VDD Versorgungsspannung + (P5V)	N. C.
7	N. C.	CAN_H Datenleitung
8	RxD/TxD-N A- Leitung	N. C.
9	N. C.	N. C.

15pol. Sub-HD-Buchse		
	analoge Ansteuerung	Busausführung
1	Sollwerteingang +	N. C.
2	Sollwerteingang GND	N. C.
3	Istwertausgang +	N. C.
4	Binäreingang 2	
5	12V-Ausgang (nur werksinterne Verwendung)	
6	RS232 TxD (direkter Anschluss an PC)	
7	Binäreingang 1	
8	DGND (für Binäreingänge)	
9	nur werksinterne Verw. (nicht belegen!)	
10	12V-Ausgang (nur werksinterne Verwendung)	
11	12V-Ausgang (nur werksinterne Verwendung)	
12	Binäreingang 3	
13	Istwertausgang GND	N. C.
14	RS232 RxD (direkter Anschluss an PC)	
15	DGND (für RS232-Schnittstelle)	

8pol. Buchse (rund)	
1	24V - Versorgung +
2	Relais 1 Mittelkontakt
3	Relais 2 Mittelkontakt
4	Relais 1 - Öffner
5	Relais 1 - Schliesser
6	24V - Versorgung GND
7	Relais 2 - Schliesser
8	Relais 2 - Öffner

Anschlussbelegung Typ 8713 / 8703

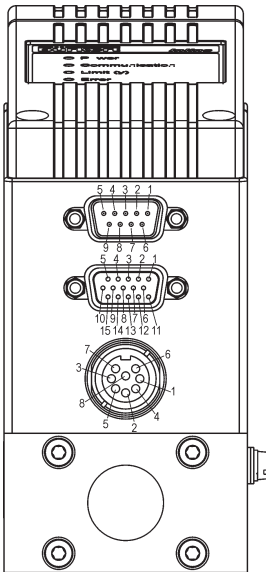


9pol. Sub-D-Stecker	
1	Binärteingang (bezogen auf GND PIN 2)
2	GND
3	Stromversorgung +24 V DC
4	Relais, C contact
5	Relais, NC contact
6	TX+ (RS 485-Y)*
7	TX- (RS 485-Z)*
8	RX- (RS 485-B)*
9	RX+ (RS 485-A)*

* Für Halb-Duplex-Betrieb Pin 6 mit Pin 9 und Pin 7 mit Pin 8 verbinden.

Anschlussbelegung Typ 8716 / 8706
deutsch

MAN 1000011173 ML Version: L Status: PL (released | freigegeben) printed: 14.12.2009



9pol. Sub-D-Buchse (nur bei Busausführung)		
	PROFIBUS DP	DeviceNet
1	Schirm (FE) Funktionserde	
2	N. C. (not connected)	CAN_L Datenleitung
3	RxD/TxD-P B-Leitung	GND
4	RTS Steuersignal für Repeater	N. C.
5	GND Datenübertragungspotential	N. C.
6	VDD Versorgungsspannung + (P5V)	N. C.
7	N. C.	CAN_H Datenleitung
8	RxD/TxD-N A- Leitung	N. C.
9	N. C.	N. C.

15pol. Sub-HD-Buchse		
	analoge Ansteuerung	Busausführung
1	Sollwerteingang +	N. C.
2	Sollwerteingang GND	N. C.
3	Istwertausgang +	N. C.
4	Binäreingang 2	
5	12V-Ausgang (nur werksinterne Verwendung)	
6	RS232 TxD (direkter Anschluss an PC)	
7	Binäreingang 1	
8	DGND (für Binäreingänge)	
9	nur werksinterne Verw. (nicht belegen!)	
10	12V-Ausgang (nur werksinterne Verwendung)	
11	12V-Ausgang (nur werksinterne Verwendung)	
12	Binäreingang 3	
13	Istwertausgang GND	N. C.
14	RS232 RxD (direkter Anschluss an PC)	
15	DGND (für RS232-Schnittstelle)	

8pol. Buchse (rund)	
1	24V - Versorgung +
2	Relais 1 Mittelkontakt
3	Relais 2 Mittelkontakt
4	Relais 1 - Öffner
5	Relais 1 - Schliesser
6	24V - Versorgung GND
7	Relais 2 - Schliesser
8	Relais 2 - Öffner

Ein- / Ausgänge

Typenübersicht

Typ	Sollwert- eingang	Istwert- ausgang	BUS-An- schaltung	LED	Binär- eingänge	Relais- ausgänge
8006	-	X	-	4	3	2
8626	X	X	-	4	3	2
8006 Bus	-	-	X	4	3	2
8626 Bus	-	-	X	4	3	2
8700	-	X	-	3	2	1
8710	X	X	-	3	2	1
8700 Bus	-	-	X	3	2	1
8710 Bus	-	-	x	3	2	1
8701	-	X	-	3	2	1
8711	X	X	-	3	2	1
8701 Bus	-	-	X	3	2	1
8711 Bus	-	-	X	3	2	1
8702	-	X	-	4	3	2
8712	X	X	-	4	3	2
8702 Bus	-	-	X	4	3	2
8712 Bus	-	-	X	4	3	2
8703	-	-	X	3	1	1
8713	-	-	X	3	1	1
8706	-	X	-	4	3	2
8716	X	X	-	4	3	2
8706 Bus	-	-	X	4	3	2
8716 Bus	-	-	X	4	3	2



HINWEIS

Optional erhalten Sie die PC-Software "MassFlowCommunicator". Mit dieser ist das Normsignal für den Sollwerteingang und den Istwertausgang zwischen 0 - 5 V, 0 - 10 V, 0 - 20 mA und 4 - 20 mA umschaltbar (siehe Anhang C).

Sollwerteingang

Der Sollwerteingang dient zur analogen Sollwertvorgabe über ein Normsignal für den MFC.

Istwertausgang

Der Istwertausgang gibt den aktuellen Durchflusswert als Normsignal aus.

Busanschaltung

Die Typen 8626, 8006, 8716, 8706, 8712, 8702, 8711, 8701, 8710 und 8700 sind als Bus-Versionen erhältlich. Soll- und Istwert werden hier in digitaler Form über den Bus empfangen bzw. rückgemeldet. Es kann zwischen einer PROFIBUS DP- und einer DeviceNet-Anschaltung gewählt werden (siehe auch *Ergänzung zur Bedienungsanleitung für Feldbus-Geräte oder serielle Kommunikation RS 232 / RS 485*).

Leuchtdioden zur Anzeige des Betriebszustandes (Default-Belegung)

POWER LED (grün)	<i>leuchtet</i>	Das Gerät ist mit Betriebsspannung versorgt.
	<i>blinkt</i>	Autotune Funktion aktiv
COMMUNICATION LED (gelb)	<i>leuchtet</i>	Das Gerät kommuniziert über Bus oder RS-Schnittstelle.
LIMIT (y) LED (blau)	<i>leuchtet</i>	Bei MFC: zeigt an, dass die Stellgröße des Ventils nahezu 100 % erreicht hat. In der Praxis bedeutet dies meist, dass der Druck am Regler nicht ausreicht, um den gewünschten Durchfluss zu realisieren. Bei MFM: zeigt an, dass der Istwert nahezu den Nenndurchfluss erreicht hat.
	<i>blinkt</i>	Das Gerät befindet sich in einem anderen Betriebszustand als Regelbetrieb oder Autotune.
ERROR LED (rot)	<i>leuchtet</i>	Nicht schwerwiegender Fehler, z.B. nicht erfolgreich abgeschlossene Autotune oder defekte LED
	<i>blinkt</i>	Schwerwiegender Fehler, z.B. Sensorbruch oder fehlerhafte interne Spannungsversorgung

Binäreingänge (Default-Belegung)

Um das jeweilige Ereignis auszulösen, muss der Binäreingang für mindestens 0,5 s mit DGND verbunden werden.

Funktionen

- Binäreingang 1 Autotune-Funktion (bei MFM nicht zugeordnet)
- Binäreingang 2 nicht zugeordnet
(bei den Typen 8713 / 8703 nicht vorhanden)
(bei zweiter Gaskalibrierung Umschaltung Gas 1 - Gas 2)
- Binäreingang 3 nicht zugeordnet
(bei den Typen 8710 / 8700 / 8711 / 8701 / 8713 / 8703 nicht vorhanden)



Binärausgänge (Default-Belegung)

Die Binärausgänge sind als Relaisausgänge (potentialfreie Wechsler) ausgeführt.

Funktionen

Relais 1** LIMIT (y)

Relais 2* ERROR (bei schwerwiegendem Fehler, z.B. Sensorbruch oder Fehler bei interner Spannungsversorgung)

* (bei den Typen 8710/8700/8711/8701/8713/8703 nicht vorhanden)

** (bei den Typen 8713/8703 als Öffner ausgeführt)

HINWEIS

Die Funktionen der POWER- und ERROR-LED sind nicht veränderbar.

Die hier beschriebenen Funktionen der Normsignalein- und -ausgänge und der Binärein- und -ausgängen sind Einstellungen im Auslieferungszustand.

Anwendungsspezifische Belegung der Ein- und Ausgänge

Die MFCs geben dem Anwender zusätzlich die Möglichkeit den Binärein- und -ausgängen andere oder weitere Funktionen zuzuweisen. Dadurch können die Geräte auf besondere Bedingungen in der Anlage oder auf spezifische Anforderungen der Anwendung eingestellt werden.

Diese Funktionen können mit der Kommunikationssoftware (MassFlow-Communicator – siehe Anhang C) eingestellt werden. Die Einstellung der Funktionen wird in der Hilfefunktion des MassFlowCommunicators im Menüpunkt „Assignment of In- and Outputs“ detailliert erklärt.

Leuchtdioden im Gerät

Die, im Gerät integrierten, Leuchtdioden zeigen die Stati von zuvor zugewiesenen Funktionen an, z. B.

- Anzeige der im aktuellen Betrieb genutzten Gaskalibrierung
- Anzeige der aktiven Binäreingänge
- Ventil wird ganz geöffnet oder geschlossen
- Ausregeln des Sicherheitswertes
- Sollwertprofil des Gerätes wird ausgeregelt
- Steuerbetrieb aktiv / inaktiv
- Kommunikation aktiv / inaktiv
- Herkunft des Sollwertes - Bus / serielle Kommunikation
- Verschiedenste Bus- oder Kommunikationsstati

(Siehe Hilfefunktion MassFlowCommunicator - „Assignment of In- and Outputs“)

Binärausgänge

Die Binärausgänge des MFCs können verwendet werden, um bestimmte Zustände, die spezifisch definiert werden können, an eine übergeordnete Steuerung weiterzuleiten und dort zu verarbeiten.

Die Binärausgänge lassen zudem Aussagen über den Gerätestatus zu und können zur Diagnose und zur Behebung von Fehlfunktionen genutzt werden.

- Gerätestatus

- AutoTune-Modus aktiv
- aktive Gaskalibrierung
- aktiven Binäreingänge
- Sollwertprofil des Gerätes wird ausgeregelt
- Steuerbetrieb aktiv
- Sicherheitswert wird ausgeregelt
- Ventil wird ganz geöffnet
- Ventil wird ganz geschlossen
- Status des Busmoduls bzw. der Buskommunikation

- Grenzwertschalter

Die Binärausgänge werden bei über- oder unterschreiten des einstellbaren Grenzwertes (wie Totalizergrenzwert, Grenzwert des Sollwertes usw.) betätigt.

- Fehler / Fehlfunktionen

Hier können detektierte Fehler, zum Beispiel am Sensor, beim internen Stromverbrauch oder der Versorgungsspannung, zurückgemeldet werden.

(Siehe Hilfefunktion MassFlowCommunicator - „Assignment of In- and Outputs“)

Binäreingänge

Den Binäreingängen können vorgegebene Funktionen zugewiesen werden, die durch das externe Setzen des entsprechenden Binäreinganges ausgeführt werden.

- AutoTune-Modus aktivieren
- Umschalten auf andere Gaskalibrierung
- Sicherheitswert aktiv / inaktiv - Ausregeln des Sicherheitswertes in Abhängigkeit des Binäreinganges
- Sollwertprofil abfahren
- Umschalten in Steuerbetrieb
- Zurücksetzen des Totalizers
- Ventil ganz schließen / Ventil ganz öffnen

(Siehe Hilfefunktion MassFlowCommunicator - „Assignment of In- and Outputs“)

Betriebszustände MFC

Standard-Regelbetrieb

Dies ist der Betriebszustand, in dem sich der MFC sofort nach dem Einschalten und einer kurzen Initialisierungsphase befindet. Im LED-Feld leuchtet nur die grüne Power-LED.

Der Durchfluss wird auf den vorgegebenen Sollwert mit einer hohen Dynamik ausgeregelt. Störungen, z.B. infolge von Druckschwankungen, werden durch entsprechende Anpassung der Öffnung des Regelventils schnell ausgeglichen.

Die Sollwertvorgabe erfolgt in diesem Betriebszustand je nach Geräteausführung über den analogen Eingang (Normsignaleingang) oder den Feldbus.

Die Reglerparameter sind so eingestellt, dass Sollwertänderungen oder Störgrößen möglichst schnell ausgeregelt werden, ohne dass dabei nennenswerte Überschwinger auftreten.



HINWEIS

Wenn das Ansteuersignal des Regelventils sich der 100 % Grenze nähert, leuchtet die Limit (y) LED auf. Die Ursache ist in der Regel eine zu geringe Druckdifferenz über dem MFC, z.B. infolge einer nicht ausreichenden Druckversorgung oder stark verschmutzter Filter. Dies kann dazu führen, dass der vorgegebene Sollwert nicht erreicht werden kann und eine bleibende positive Regelabweichung (w-x) entsteht. Um daraufhin eine externe Reaktion zu ermöglichen, wird darüber hinaus ein Relais-Ausgang geschaltet.

Autotune-Routine

Voraussetzung für die automatische Anpassung des Reglers an die Verhältnisse der Anlage ist, dass die typischen Druckverhältnisse herrschen.

→ Lösen Sie die Autotune-Routine durch Betätigung des Binäreingangs1 aus.

Die Autotune-Routine läuft automatisch ab. Während der Abarbeitung der Autotune-Routine blinkt die grüne Power-LED.



ACHTUNG!

Beachten Sie während des Ablaufs der Autotune-Routine folgende Punkte:

- Es treten verschiedene Durchflussänderungen auf.
- Die Stromversorgung des MFC darf nicht abgeschaltet werden.
- Der Versorgungsdruck sollte konstant gehalten werden.

Während des Ablaufs der Autotune-Routine regelt der MFC nicht. Das Regelventil wird nach einem intern vorgegebenen Schema angesteuert. Das führt zu Durchflussänderungen. Hierbei werden einige Regelparameter an die in der Anlage vorherrschenden Bedingungen angepasst. Diese Parameter werden am Ende der Autotune-Routine in den nichtflüchtigen Speicher des Gerätes übernommen.

Nach beendeter Autotune-Routine kehrt der MFC in den vorherigen Betriebszustand zurück.

**HINWEIS**

Jeder MFC hat die Autotune-Routine im Werk während der Endprüfung bei dem im Kalibrierprotokoll angegebenen Betriebsdruck durchlaufen. Für einen sicheren Regelbetrieb in einer Anlage ist das erneute Auslösen dieser Funktion nach der Inbetriebnahme nicht zwingend erforderlich. Wir empfehlen sie auszulösen, wenn der Betriebsdruck um mehrere bar vom Kalibrierdruck abweicht oder wenn die Kennlinie des Proportionalventils infolge einer niedrigen Ventilautorität (siehe *Proportionalventil*) stark beeinflusst wird. Die Autotune sollte auch dann durchgeführt werden, wenn sich die Druckverhältnisse in der Anlage stark geändert haben.

Sicherheitsfunktion

Diese Funktion kann je nach Gerätekonfiguration über einen Binäreingang oder Feldbus aktiviert bzw. zurückgesetzt werden.

Das Gerät verhält sich in diesem Betriebszustand im Allgemeinen wie im Standard-Regelbetrieb. Jedoch wird ein extern anliegender Vorgabewert ignoriert und ein im Gerät definierter Sicherheitswert (bei Default: 0 %; mit PC-Software MassFlowCommunicator veränderbar) als Sollwert verwendet.

Sollwert-Profil

Diese Funktion kann je nach Gerätekonfiguration über einen Binäreingang oder Feldbus aktiviert bzw. zurückgesetzt werden.

Das Gerät verhält sich in diesem Betriebszustand wie im Standard-Regelbetrieb. Hierbei wird allerdings der externe Vorgabewert ignoriert und eine vorher definierte zeitliche Abfolge von bis zu 30 Durchflusswerten als Sollwert verwendet (Konfiguration mit PC-Software MassFlowCommunicator).

Nach Durchlaufen der Sollwertfolge fällt das Gerät in den vorherigen Betriebszustand zurück.

Steuerbetrieb

Diese Funktion kann je nach Gerätekonfiguration über einen Binäreingang oder Feldbus aktiviert bzw. zurückgesetzt werden.

In diesem Betriebszustand wird der Sollwert als Stellgröße für das Ventil-Tastverhältnis verwendet,

z. B.: Sollwert = 10 % → Ventil-Tastverhältnis = 10 %.

Betriebszustände MFC

Betriebszustand	kann unterbrochen bzw. beendet werden durch	Darstellung auf Anzeige (LEDs) bei Default	Erreichen des Betriebszustands über Binäreingang (falls konfiguriert)
Standard-Regelbetrieb	Autotune-Routine Sicherheitsfunktion Sollwert-Profil Steuerbetrieb	-	-
Steuerbetrieb	Autotune-Routine Sicherheitsfunktion Sollwert-Profil	LIMIT (y) LED blinkt	solange aktiv
Sollwert-Profil	Autotune-Routine Sicherheitsfunktion Geräte-Reset	LIMIT (y) LED blinkt	Auslösen bei aktivem Binäreingang $\geq 0,5$ s (bei Dauerbelegung wird immer neu gestartet)
Autotune-Routine	Sicherheitsfunktion Geräte-Reset	POWER LED blinkt	Auslösen bei aktivem Binäreingang $\geq 0,5$ s (bei Dauerbelegung wird immer neu gestartet)
Sicherheitsfunktion	-	LIMIT (y) LED blinkt	solange aktiv

WARTUNG

Die MFC und MFM sind bei Betrieb entsprechend den in dieser Anleitung gegebenen Hinweisen im Prinzip wartungsfrei, so dass sich eine routinemäßige Neukalibrierung erübrigt.

Falls nach längerem Betrieb mit einem verschmutzten Medium größere Mengen von Partikeln eingetragen wurden, kann bei den Typen 8626 / 8006 / 8710 / 8700 / 8711 / 8701 / 8712 / 8702 / 8713 / 8703 / 8716 / 8706 nach Lösen der eingangseitigen Flanschplatte das dann zugängliche Edelstahldrahtgitter gereinigt oder ersetzt werden (siehe Anhang B).

Wenn der Sensor durch das Betriebsgas verschmutzt ist, kann das Gerät nach längerem Betrieb stärkere Abweichungen vom Durchfluss aufweisen. Dann wird eine werksseitige Reinigung und Neukalibrierung erforderlich.

ACHTUNG!



Das Gerät darf nicht geöffnet werden! Im Inneren des Gerätes befinden sich weitere Elemente zur Strömungskonditionierung. Ein Eingriff in das Gerät, z. B. um zu reinigen, ist nicht zulässig, da die daraus resultierenden Änderungen des Sensorsignals eine werksseitige Neukalibrierung erforderlich machen!

STÖRUNG / FEHLERSUCHE

Problem	mögliche Ursache	Abhilfe
"POWER" LED leuchtet nicht	keine elektrische Versorgung	Prüfen Sie die elektrischen Anschlüsse.
"POWER" LED blinkt	Autotune aktiv	siehe Kapitel <i>Betriebszustände</i>
"POWER" LED erlischt periodisch	Spannungsversorgung bricht periodisch zusammen - Gerät führt Reset aus	Wählen Sie die Spannungsversorgung mit ausreichender Leistung.
	zu hoher Verlust auf der Anschlussleitung	- Vergrößern Sie den Kabelquerschnitt. - Verringern Sie die Kabellänge.
"LIMIT (y)" LED leuchtet (<i>nur bei Defaultbelegung</i>)	MFC: Stellgröße des Ventils hat nahezu 100 % erreicht - Sollwert kann nicht ausgeregelt werden.	- Erhöhen Sie den Versorgungsdruck. - Überprüfen und verringern Sie ggf. die Leitungswiderstände - Überprüfen Sie die Anlagenauslegung (siehe Kapitel <i>Proportionalventil</i>)
	MFM: Istwert hat nahezu Nenndurchfluss erreicht	
"LIMIT (y)" LED blinkt (<i>nur bei Defaultbelegung</i>)	anderer Betriebszustand als Standard Regelbetrieb oder Autotune	siehe Kapitel <i>Betriebszustände</i>
"ERROR" LED leuchtet	weniger schwerwiegender Fehler aufgetreten: - Letzte Autotune nicht erfolgreich abgeschlossen - ein Defekt an einer LED wurde erkannt	- Wiederholen Sie die Autotune oder setzen Sie den Fehler durch Reset zurück - Bei Fehler an LED oder Binärausgang ist ein eingeschränkter Betrieb möglich.
"ERROR" LED blinkt	Restwelligkeit der Versorgungsspannung zu hoch	Wählen Sie die entsprechende Spannungsquelle (keine technische Gleichspannung).
	schwerwiegender Fehler, z.B. Sensorbruch oder Fehler in interner Spannungsversorgung	Senden Sie das Gerät zur Fehlerbehebung an den Hersteller.
kein Durchfluss vorhanden	Sollwert innerhalb der Nullpunktabschaltung	Erhöhen Sie den Sollwert auf > 2 % von Q _{nenn} .
	anderer Betriebszustand	Prüfen Sie den Betriebszustand.

Fortsetzung der Tabelle siehe nächste Seite

Problem	mögliche Ursache	Abhilfe
Istwert schwankt	Kein ordnungsgemäßer FE-Anschluss	Verbinden Sie FE mit dem Erdepunkt (möglichst kurz, Ader min. 2,5 mm ²).
	Regler muss ständig Störungen einer instabilen Druckversorgung nachregeln.	Schalten Sie einen geeigneten Druckregler vor.
	Restwelligkeit der Versorgungsspannung zu hoch	Wählen Sie die passende Spannungsquelle.
Regler neigt zu Schwingungen	Betriebsdruck liegt weit über dem Druck, bei dem die letzte Autotune ausgeführt wurde.	Führen Sie eine Autotune zur Anpassung an die Betriebsbedingungen durch.
	Regelparameter entsprechen nicht dem Streckenverhalten	Passen Sie die Regeldynamik mit PC-Software MassFlowCommunicator an.
	Es wird ein anderes Medium eingesetzt als durch die Kalibrierung vorgesehen.	Senden Sie das Gerät zur Neukalibrierung für das Betriebsmedium an den Hersteller.
	Restwelligkeit der Versorgungsspannung zu hoch	Wählen Sie die passende Spannungsquelle.
Sollwert $w = 0$, Durchfluss nach einigen Sekunden trotzdem vorhanden	Betriebsdruck oberhalb des dichtgehaltenen Drucks des Proportionalventils	Senken Sie den Betriebsdruck.
Sollwert $w = 0$, Ventil geschlossen, kein Durchfluss; Istwertausgang zeigt aber geringen Durchfluss an	Betriebsdruck deutlich höher als der Kalibrierdruck (→ erhöhte Eigenkonvektion nur bei 8716 u. 8626)	Führen Sie eine Autotune zur Anpassung an die Betriebsbedingungen durch.
	falsche Einbaulage (→ erhöhte Eigenkonvektion nur bei 8716 u. 8626)	Bauen Sie den MFC in der kalibrierten Einbaulage ein oder führen Sie eine Autotune zur Anpassung an die Betriebsbedingungen durch.
	Es wird ein anderes Medium eingesetzt als durch die Kalibrierung vorgesehen.	Senden Sie das Gerät zur Neukalibrierung für das Betriebsmedium an den Hersteller.
Regler hat starke Überschwinger bei einem Sollwertsprung von 0 % ausgehend	Bei Verwendung eines zusätzlichen Absperrventils wurde die Ansteuerreihenfolge nicht beachtet.	siehe Kapitel <i>Betrieb mit zusätzlichem Absperrventil</i>
bei einer Flammensteuerung erlischt die Flamme nach einem Sollwertsprung	Durch zu hohe Konzentration des Mediums wird der Flamme Sauerstoff entzogen.	Aktivieren Sie die Rampenfunktion mit der PC -Software MassFlowCommunicator.

ANHANG A: ZUBEHÖR (ELEKTRISCH)

MAN 1000011173 ML Version: L Status: PL (released | freigegeben) printed: 14.12.2009

Typen	Artikel	Best.-Nr.
8626 / 8006 8712 / 8702 8716 / 8706	Rundstecker 8pol. (Lötanschluss)	918299
	Rundstecker 8pol. mit 5 m - Kabel, einseitig konfektioniert	787733
	Rundstecker 8pol. mit 10 m - Kabel, einseitig konfektioniert	787734
	SUB-HD-Stecker 15pol. mit 5 m - Kabel, einseitig konfektioniert	787735
	SUB-HD-Stecker 15pol. mit 10 m - Kabel, einseitig konfektioniert	787736
	RS232-Adapter zum Anschluss eines PC in Verbindung mit einem Verlängerungskabel (Best.Nr. 917039)	654757
	Anschlussadapter (DB9/m-DB15HD/m) zum Ersatz eines Gerätes Typ 8626/8006 (vor Baujahr 2003) durch ein neueres gleichen Typs (ab Baujahr 2003) → kein IP65 Schutz	787923
8710 / 8700 8711 / 8701	SUB-D-Buchse 15pol. mit Lötkelanschluss	918274
	SUB-D-Haube für 15pol. SUB-D-Buchse mit Schraubverriegelung	918408
	SUB-D-Buchse 15pol. mit 5 m - Kabel, einseitig konfektioniert	787737
	SUB-D-Buchse 15pol. mit 10 m - Kabel, einseitig konfektioniert	787738
	RS232-Adapter zum Anschluss eines PC in Verbindung mit einem Verlängerungskabel (Best.Nr. 917039)	654748
alle Typen	Verlängerungskabel für RS232 9pol. Buchse/Stecker 2 m	917039
	Kommunikations-SW (MassFlowCommunicator)	Infos unter www.buerkert.com
8713 / 8703	RS 232-Adapter zum Anschluss eines PC in Verbindung mit einem Verlängerungskabel	667 530
	SUB-D-Buchse 9 pol. (Lötanschluss)	917 623

deutsch

ANHANG B: ZUBEHÖR (FLUIDISCH)

Generell bieten wir Einschraubverschraubungen nur mit Zoll-Einschraubgewinde an, entsprechend werden Flanschplatten mit Zoll-Einschraubgewinde verwendet. Die Rohranschlussseite kann sowohl in metrischen als auch in Zoll-Größen bestellt werden. Auf Wunsch liefern wir auch Messing-Ausführungen.

Einschraubgewinde nach DIN ISO 228/1	Rohr/Ø	Material	Best.-Nr.	Best.-Nr. Dichtring
G 1/4"	6 mm	VA	901538	901575
G 1/4"	8 mm	VA	901540	901575
G 3/8"	8 mm	VA	901542	901576
G 3/8"	10 mm	VA	901544	901576
G 1/2"	10 mm	VA	901546	901577
G 1/2"	12 mm	VA	901548	901577
G 3/4"	12 mm	VA	901549	901578
G 1/4"	1/4"	VA	901551	901579
G 1/4"	3/8"	VA	901553	901579
G 3/8"	3/8"	VA	901555	901580
G 3/8"	1/2"	VA	901556	901580
G 1/2"	1/2"	VA	901557	901581
G 1/2"	3/4"	VA	901558	901581
G 3/4"	3/4"	VA	901559	901582

Flanschausführung auf Anfrage!

ACHTUNG!

Zu jeder Verschraubung muss ein Dichtring mitbestellt werden!

Weiteres Zubehör für den fluidischen Anschluss des MFC/MFM finden Sie unter Typ 1013 im Bürkert-Zubehör-Katalog.

Ersatzteile

Bezeichnung	Best.-Nr.
Edelstahlgitter* für 8626 / 8006 / 8716 / 8706 (Standardgehäuse)	646808
Edelstahlgitter* für 8626 / 8006 / 8716 / 8706 (Gehäuse für große Durchflüsse)	651694
Edelstahlgitter* für 8710 / 8700 / 8711 / 8701 / 8712 / 8702 / 8713 / 8703	654733
Edelstahlgitter** für 8710 / 8700 / 8711 / 8712 / 8713	667520

*Maschenweite: 250 µm, **Maschenweite: 20 µm



ANHANG C: MassFlowCommunicator (PC-SOFTWARE)

Das PC-Programm MassFlowComminucator ist für die Kommunikation mit den Geräten aus der MassFlowController-Familie der Firma Bürkert konzipiert. Es dient zur Konfiguration und Parametrierung. Desweiteren stehen Diagnosefunktion zur Verfügung.

- Diagnostic Data

Die Funktion zeigt z. B. Werte der geräteinternen Spannungs- und Temperaturüberwachung an.

- Device Settings

Ermöglicht die Anzeige bzw. Konfiguration des aktuellen Geräte-Status.

- Monitoring

Kurzübersicht über alle angeschlossenen Geräte (hier lassen sich zudem auch die Sollwerte über den angeschlossenen PC vorgeben)

- Datalogger

Der Datalogger dient zur Aufzeichnung der Prozesse über längere Zeiträume (Tage/Wochen)

- Dynamic Reading

Zeichnet die Parameter Sollwert (w), Istwert (x) und Stellgröße (y_2) in Echtzeit auf und stellt diese graphisch dar. Die aufgezeichneten Daten lassen Rückschlüsse über das System und dessen Komponenten zu. Aufgrund dieser Aufzeichnungen lassen sich systembedingte Mißstände analysieren. Die Aufzeichnung der Parameter kann dann als Windows Datei gespeichert werden und per E-Mail an die Bürkert Servicetechniker versandt werden.

Der MassFlowCommunicator ermöglicht das Einspielen von Flash-Updates in die MassFlowController / MassFlowMeter.

**HINWEIS**

Das Programm arbeitet unter dem Windows-Betriebssystem (ab Windows 98) und benötigt eine serielle Schnittstelle (RS 232 bzw. RS 485) für die Kommunikation mit den MassFlowControllern bzw. MassFlowMetern.

**ACHTUNG!**

Bei den Typen 8710 / 8700 und 8711 / 8701 wird ein Adapter mit Schnittstellentreiber benötigt. Bei den Typen 8713 / 8703 ist der Schnittstellentreiber in der RS 485-Schnittstelle integriert, bei Kommunikation über RS 232 wird ein Adapter mit Schnittstellentreiber benötigt (siehe Zubehör in Anhang A). Zur leichteren Adaption der Typen 8626 / 8006, 8712 / 8702 und 8716 / 8706 ist ebenfalls ein Adapter erhältlich (siehe Zubehör in Anhang A).

Eine detaillierte Beschreibung und genaue Auflistung der Vorgehensweise bei der Bedienung der Software MassFlowCommunicator entnehmen Sie bitte der in der Hilfefunktion des Programmes enthaltenen Software-Dokumentation.

Download der Software unter: www.buerkert.com

**HINWEIS**

|| Unter der Downloadfunktion steht immer die aktuellste Version des MassFlowCommunicators zur Verfügung.

Dokumentation

Die gesamte Dokumentation steht im Internet unter www.buerkert.com sowie auf der Bedienungsanleitungs-CD zum Download zur Verfügung.

**MassFlowController (MFC)
type 8626 / 8710 / 8711 / 8712 / 8713 / 8716****MassFlowMeter (MFM)
type 8006 / 8700 / 8701 / 8702 / 8703 / 8706**

REMARQUES GENERALES	101
Symboles de représentation	101
Utilisation conforme à la destination	101
Consignes de sécurité	101
Protection contre des dommages dus à des charges électrostatiques	102
Fourniture	102
Dispositions de garantie	102
DESCRIPTION DU SYSTEME	103
Description des types	103
Fonctionnement général	104
Capteurs	105
Principe de mesure thermique	105
Capteur Inline (types 8626 / 8006; 8716 / 8706)	106
Capteur bypass en technologie "capillary" conventionnelle (Types 8710 / 8700)	107
Capteur bypass en technologie CMOSens® (types 8713 / 8703 / 8712 / 8702 / 8711 / 8701)	108
Electronique de régulation	109
Vanne proportionnelle	110
CARACTERISTIQUES TECHNIQUES	113
Type 8626 / 8006 MASS FLOW INLINE	114
Type 8710 / 8700 MASS FLOW	115
Type 8711 / 8701 MASS FLOW CMOSens®	116
Type 8712 / 8702 MASS FLOW CMOSens®	117
Type 8713 / 8703 MASS FLOW CMOSens®	118
Type 8716 / 8706 MASS FLOW INLINE	119

MONTAGE, INSTALLATION ET MISE EN SERVICE	120
Dessins cotés	120
Recommandations générales pour l'installation et la mise en service	124
Exploitation avec robinet d'arrêt supplémentaire	125
Installation mécanique et fluidique	125
Raccords fluidiques	125
Montage de raccords à bague de serrage	126
Raccordements électriques	126
Brochage des connecteurs type 8626 / 8006	127
Affectation broches pour les types 8710 / 8700	128
Affectation des raccords type 8711 / 8701	129
Brochage des connecteurs type 8712 / 8702	130
Affectation des raccords type 8713 / 8703	131
Brochage des connecteurs type 8716 / 8706	132
Entrées / sorties	133
Entrée de la valeur de consigne	133
Sortie de la variable instantanée	133
Branchement de bus	134
Diodes lumineuses pour l'affichage des modes opérationnels (dispositions de base)	134
Entrées binaires (configuration par défaut)	134
Sorties binaires (configuration par défaut)	135
Affectation des entrées et sorties, spécifique à l'application	135
Etats de fonctionnement du MFC	137
Mode de régulation standard	137
Routine Autotune	137
Fonction de sécurité	138
Profil de consigne	138
Mode de commande	138
Modes opérationnels MFC	139
Entretien	140
Dépannage / Localisation des défauts	141
ANNEXE A: Accessoires (Électriques)	143
Annexe B: Accessoires (fluidiques)	144
ANNEXE C: MassFlowCommunicator (Logiciel PC)	145

REMARQUES GENERALES

Symboles de représentation

Les symboles de représentation suivants sont utilisés dans ces instructions de service:



désigne une étape de travail devant être exécutée.



ATTENTION!

désigne une mise en garde dont l'inobservation pourrait mettre en danger votre santé ou l'intégrité.



REMARQUE

désigne des informations supplémentaires, conseils et recommandations importantes.

Utilisation conforme à la destination



ATTENTION!

Une utilisation conforme implique en particulier une qualité adéquate du fluide de service. Un fluide fortement contaminé ou contenant des particules solides pouvant dégrader la précision. L'introduction de phases liquides dans le compartiment du capteur peut influencer le fonctionnement du capteur ou du MFC/MFM. Dans de tels cas, une unité de traitement appropriée (filtre, purgeur de liquide) devra être installée en amont du MFC/MFM.

L'appareil doit uniquement être utilisé en respectant les valeurs indiquées au chapitre Caractéristiques techniques et sur l'étiquette du produit.

Lisez attentivement tous les chapitres de cette notice. Respectez les instructions du chapitre Consignes générales de sécurité.

Les instructions des différents chapitres doivent être appliquées et les consignes de sécurité respectées. Aucune responsabilité n'est assumée en cas de non-respect des instructions, de l'ordre dans lequel elles sont exécutées ainsi que des consignes et des symboles de sécurité.

Consignes de sécurité



- S'en tenir aux règles techniques généralement reconnues lors du projet de mise en œuvre et du service de l'appareil!
- L'installation et les interventions nécessitées par la maintenance ne doivent être effectuées que par un personnel qualifié équipé des outils adéquats!
- Respecter les dispositions en vigueur de prévention des accidents et de sécurité pour appareils électriques pendant le service et la maintenance de l'appareil!
- Toujours couper la tension d'alimentation avant toute intervention dans le système!
- Prendre les mesures qui s'imposent pour éviter un actionnement intempestif de l'appareil ou une mise en cause inadmissible de son fonctionnement!
- Nous déclinons toute responsabilité en cas d'inobservation de ces consignes et d'interventions non autorisées dans l'appareil. Il en résulterait par ailleurs l'annulation de la garantie sur l'appareil et les pièces accessoires

Protection contre des dommages dus à des charges électrostatiques



**ATTENTION
PRUDENCE EN
MANIPULATION !
COMPOSANTS ET
SOUS-GROUPES SONT
MIS EN DANGER PAR
CHARGES
ÉLECTROSTATIQUES**

L'appareil comporte des composants électroniques sensibles aux décharges électrostatiques (ESD). Ces composants sont mis en danger par le contact avec des personnes ou objets chargés électrostatiquement. Au pire, ils seront immédiatement détruits ou se révéleront défectueux au moment de la mise en service.

Tenir compte des exigences selon EN 100 015 - 1 pour minimiser ou éviter le risque d'un dommage causé par une subite décharge électrostatique. Veiller également à ne pas toucher les composants électroniques à proximité immédiate de la tension d'alimentation.

Fourniture

Contrôler dès réception de l'envoi que le contenu n'a subi aucun dommage et qu'il correspond bien à la fourniture spécifiée. Celle-ci comprend généralement:

- MFC ou MFM type 8626, 8006 ou 87xx
- les instructions de service sur papier (le cas échéant sur support de données)
- pour les appareils à bus, instructions de service complémentaires (le cas échéant sur support des données),
- le procès-verbal de contrôle final/étalonnage.

Les connecteurs correspondant aux interfaces électriques du MFC sont livrés comme accessoires.

En cas de non concordance, s'adresser immédiatement à notre service après-vente:

Bürkert Steuer- und Regelungstechnik

Centre clients

Chr.-Bürkert-Str. 13-17

D-76453 Ingelfingen

Tel. : 07940-10111

Fax: 07940-10448

E-mail: info@de.buerkert.com

ou à votre succursale Bürkert.

Dispositions de garantie

Bürkert garantit le bon fonctionnement du MFC ou du MFM pour une période d'un an, à condition que l'appareil soit utilisé conformément aux prescriptions et compte tenu des conditions de service spécifiées.

En cas de fonctionnement défectueux pendant la période de garantie, l'appareil concerné sera remplacé ou réparé gratuitement.



ATTENTION!

Les prestations de garantie ne s'étendent qu'au MFC ou MFM et ses composants, pas aux dommages consécutifs à des défaillances ou défauts de fonctionnement de l'appareil.

DESCRIPTION DU SYSTEME

Description des types

Ces instructions de service contiennent des informations relatives aux MassFlowController (MFC) et MassFlowMeter (MFM) faisant partie du programme de produits Bürkert:

Type	Modèle	Gamme de valeur finale Q_{nenn} (l_N/min) rapporté à air / N_2	Capteur	Remarques
8626	MFC	25 ... 1500	Inline	pour appareils dès janv. 2003 ¹⁾
8006	MFM	25 ... 1500	Inline	pour appareils dès janv. 2003 ¹⁾
8716	MFC	25 ... 500	Inline	
8706	MFM	25 ... 1500	Inline	
8713	MFC	0,02 ... 50	Bypass / CMOSens® ²⁾	
8703	MFM	0,02 ... 50	Bypass / CMOSens®	
8712	MFC	0,02 ... 50	Bypass / CMOSens®	
8702	MFM	0,02 ... 50	Bypass / CMOSens®	
8711	MFC	0,02 ... 50	Bypass / CMOSens®	
8701	MFM	0,02 ... 50	Bypass / CMOSens®	
8710	MFC	0,005 ... 1	Bypass / Capillary	
8700	MFM	0,005 ... 1	Bypass / Capillary	

¹⁾ Observer à cet effet les recommandations relatives aux types 8626/8006 dans le chapitre *Brochage des connecteurs type 8626/8006*.

²⁾ CMOSens® est une marque déposée de la société Sensirion SA (Suisse).

Fonctionnement général

Les MFC du type 8626 / 8716 / 8713 / 8712 / 8711 / 8710 sont des appareils compatibles dont la fonction est de contrôler le débit massique de gaz. Ils assurent la régulation en fonction d'une consigne de débit prédéterminée, indépendamment des grandeurs perturbatrices telles que fluctuations de pression ou résistance à l'écoulement variable dans le temps, résultant par exemple du colmatage d'un filtre.

Les MFC contiennent les composants suivants: capteur de débit (Q-Sensor), l'électronique (assurant les fonctions de traitement du signal, de régulation et de commande de la vanne) et une électrovanne proportionnelle constituant l'organe de réglage.

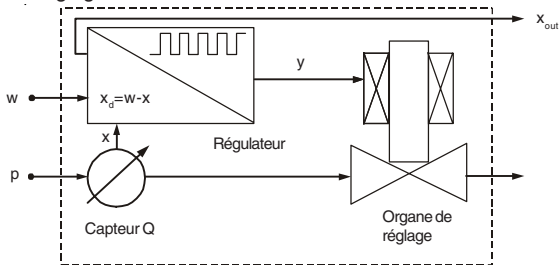


Figure: Composants d'un Mass Flow Controller

La définition de la consigne (w) s'effectue électriquement via un signal normalisé ou un bus de terrain. La valeur instantanée (x) détectée par le système est comparée à l'intérieur du régulateur avec la valeur de consigne. Le régulateur délivre comme valeur réglante un signal en tension modulé à largeur d'impulsion variable à l'organe de réglage. Le facteur d'impulsion du signal en tension est modifié en fonction de l'écart de réglage constaté.

Par ailleurs, la valeur instantanée est transmise vers l'extérieur via une interface électrique analogique ou un bus de terrain. Elle est disponible à des fins de contrôle ou pour tout autre mise en valeur par l'utilisateur (par ex. détermination de la consommation par intégration).

Le principe de mesure thermique garantit que le MFC est insensible aux fluctuations de pression et de température dans toute application de régulation du débit massique.

Comparativement au MFC, le MFM n'est pas équipé de la vanne proportionnelle, de sorte que cet appareil est uniquement utilisable pour la mesure du débit massique, et non pas pour la régulation. Les caractéristiques décrites ci-après des autres composants, en particulier des capteurs, sont identiques à celles du MFC.

Capteurs

Principe de mesure thermique

Les capteurs de débit fonctionnent d'après le principe de mesure thermique (anémométrie).

La mesure a toujours lieu d'après la densité et la vitesse d'écoulement, et livre par conséquent un signal reflétant une quantité de matière. Par conséquent, la grandeur **débit massique** déterminante pour la plupart des applications est obtenue directement, sans nécessiter de définition d'aucune autre grandeur auxiliaire telle que la densité, et peut donc être traitée comme la variable instantanée dans le régulateur ¹⁾.

Selon la gamme de débit et le marché cible des appareils, les différents types de capteurs peuvent utiliser trois variantes de mesure thermique du débit. Les fonctions de celles-ci et les propriétés en résultant sont décrites de façon succincte ci-après.



REMARQUE

Il faut observer que les sensibilités relatives aux différents gaz sont différentes avec les trois principes de mesure, et que les facteurs de correction éventuels spécifiques à un gaz de service ne sont en aucun cas transférables entre les variantes de capteurs.

¹⁾ Bien que les unités „l_N/min“ ou „m_N³/h“ couramment utilisées pour la définition de la gamme de mesure soient tributaires de la dimension „volume/temps“ du fait de la référence à un état normalisé (ici p=1013 mbar et T=273 K), nous sommes ici en présence de débits massiques spécifiques à un type de gaz. Ceux-ci peuvent être exprimés (par ex. en „kg/h“) en multipliant le débit volumique normalisé par la densité du gaz de service à l'état normalisé à ρ_N.

Capteur Inline (types 8626 / 8006; 8716 / 8706)

Ce capteur fonctionne selon le principe de l'anémomètre à film chaud dans le mode dit CTA (*Constant Temperature Anemometer*). Avec ce système, deux résistances avec coefficients de température définis avec précision sont directement exposées au flux gazeux, et trois autres résistances hors de ce flux sont branchées en forme de pont.

La première résistance dans le flux de mesure (R_T) mesure la température du fluide, la seconde à faible résistance (R_S) est chauffée juste suffisamment de façon à maintenir une surtempérature fixe et prédéfinie par rapport au fluide. Le courant de chauffage nécessaire à cet effet est une mesure de la chaleur évacuée par le flux gazeux, et représente la grandeur de mesure primaire.

Un conditionnement approprié du flux au sein du MFC ou MFM et un étalonnage avec des étalons de débit de haute fidélité garantissent une détermination précise de la quantité de gaz s'écoulant par unité de temps dérivée du signal primaire.

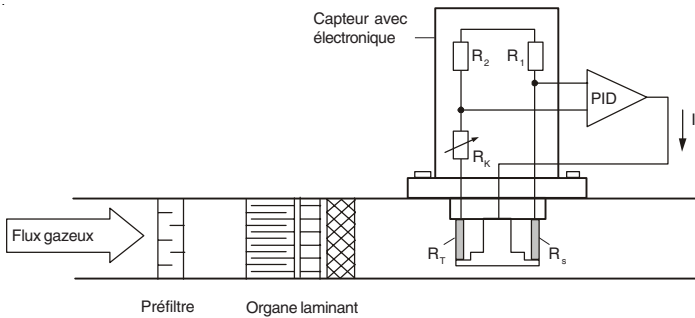


Figure: Schéma de principe du capteur Inline

Les résistances R_T et R_S en contact direct avec le fluide du flux principal garantissent une dynamique très élevée des appareils avec des temps de réponse de l'ordre de quelques millisecondes lors de variation subite des valeurs de consigne et instantanée. Grâce à la disposition des résistances sur un support de verre tangentiel à l'écoulement, le capteur n'est que peu sensible à l'encrassement.

La plage de mesure du capteur Inline est limitée vers le bas par la convection propre dans le canal d'écoulement, qui se manifeste également lorsque la vanne de réglage est fermée. Par conséquent, un tel capteur ne convient pas pour la mesure de débits inférieurs à environ $1 l_N/min$.

Le signal de convection propre dans le canal d'écoulement est tributaire de la position de montage de l'appareil. Pour atteindre une précision élevée à de faibles débits, la position de montage devrait être identique à celle spécifiée dans la commande ¹⁾. Pour la même raison, la pression de service ne devrait pas trop diverger de la pression d'étalonnage.

¹⁾ L'appareil est étalonné dans la position de montage spécifiée dans le questionnaire annexé à la fiche technique.

Capteur bypass en technologie "capillary" conventionnelle (Types 8710 / 8700)

La mesure est également réalisée ici selon le principe de bypass. Un élément de débit laminaire placé dans le canal principal produit une légère baisse de pression, qui entraîne une petite portion du flux total, proportionnelle à ce dernier, dans le petit tube (capillaire) du capteur. Deux résistances de chauffage sont placées sur le tube fin en acier inoxydable, qui sont branchées sous forme de pont de mesure. Le flux transporte de la chaleur dans le sens d'écoulement, et les ponts précédemment réalisés sont alors décalés.

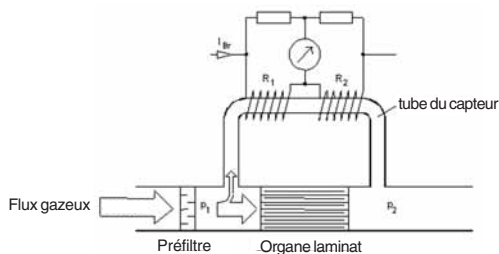


Figure: Schéma de fonctionnement du principe de mesure de bypass "capillary"

La dynamique de la mesure est déterminée par la paroi du tube du capteur, qui sert de barrière thermique, et est par principe nettement moins pertinente que celle des capteurs dont les résistances sont installées directement dans le fluide. Grâce à des mesures techniques et logicielles, des durées de réglage suffisantes pour la plupart des applications peuvent être atteintes sur le régulateur (généralement quelques secondes).

La mise en place d'éléments de filtration en amont est conseillée pour les fluides encrasés, afin d'empêcher toute modification des rapports entre le flux principal et le tube du capteur et toute modification de la transmission thermique en raison d'un dépôt sur la paroi.

Grâce à ces capteurs, des gaz agressifs peuvent également être réglés en partie, étant donné que toutes les pièces importantes entrant en contact avec le fluide sont composées d'acier inoxydable.

En outre, avec ce principe de capteur, une conversion entre plusieurs az est possible. Consulter le tableau pour une sélection de facteurs; merci de nous contacter pour tout facteur supplémentaire.

$$Q(\text{gaz}) = f \times Q (\text{N2})$$

Gaz	Facteur f
N ₂	1,00
Luft	1,00
O ₂	0,99
H ₂	1,01
Ar	1,4
He	1,41
CO ₂	0,76

En cas d'utilisation des facteurs gazeux, des erreurs de mesure dépassant les spécifications figurant sur la fiche technique peuvent être constatées. Pour les applications exigeant une grande précision, un étalonnage dans les conditions d'utilisation concrètes est conseillé.

Capteur bypass en technologie CMOSens® (types 8713 / 8703 / 8712 / 8702 / 8711 / 8701)

Avec cette technologie, le débit massique est mesuré dans un canal d'écoulement de forme spéciale, dont la paroi contient une puce Si sur une membrane découpée en un point. Sur cette membrane sont appliqués en technologie CMOSens® une résistance de chauffage et symétriquement en amont et en aval de celle-ci deux capteurs de température.

Si la résistance de chauffage est alimentée avec une tension constante, la différence de tension des capteurs de température est une mesure du débit massique du gaz au contact de la puce dans le canal d'écoulement.

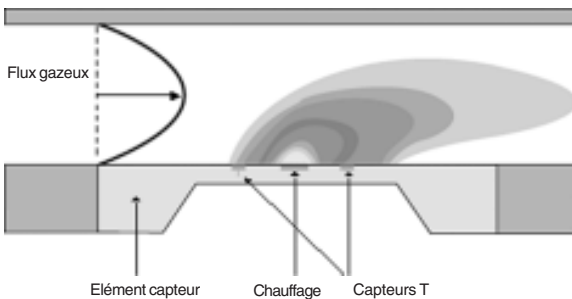


Figure: Schéma de principe du capteur en bypass de technologie CMOSens®

La section du canal d'écoulement est si petite que des débits inférieurs à $1 \text{ cm}_N^3/\text{min}$ produisent déjà un signal de mesure suffisant. La limite supérieure de la gamme de mesure est atteinte lorsque l'écoulement laminaire initial devient turbulent dans le canal. Il est possible d'obtenir des gammes de débit supérieures en montant un élément en dérivation dans un canal parallèle, présentant la même caractéristique débit-pression que le canal du capteur. Avec un rapport de division constant, la mesure du débit partiel, après étalonnage, permet également de déduire le débit total.

La faible inertie thermique des capteurs de température et leur contact direct avec l'écoulement (jusqu'à une couche de protection) ont pour conséquence que le signal du capteur réagit très rapidement aux variations instantanées du débit. Il en résulte que le MFC est capable de corriger des variations de consigne ou de la variable instantanée en moins de 100 ms. De surcroît, le capteur possède une sensibilité élevée jusqu'aux débits les plus faibles, et présente des possibilités supplémentaires de diagnostic et de correction via le signal d'un autre capteur de température sur la puce.

Electronique de régulation

Le traitement des valeurs de consigne et des débits instantanés ainsi que le pilotage de l'organe de réglage sont exécutés par une électronique à microprocesseurs.

Le signal du capteur est filtré par l'électronique du régulateur, puis est converti en une valeur reflétant le débit instantané à l'aide de la courbe d'étalonnage mémorisée dans l'appareil.

Afin de pouvoir également assurer la régulation de processus critiques, ne tolérant aucune variation rapide de débit, il est possible d'activer une fonction de rampe par l'intermédiaire du logiciel „MassFlowCommunicator“ (voir l'annexe C). Les paramètres pour une valeur de consigne ascendante et descendante sont alors réglables séparément. Se reporter à la documentation du logiciel pour de plus amples informations concernant la fonction de rampe.

Ecart de réglage:

$$\begin{array}{rcl} \text{Ecart de réglage} & = & \text{Valeur de consigne-Variable instantanée} \\ \text{xd} & = & \text{w} \quad - \quad \text{x} \end{array}$$

L'écart de réglage est traité selon un algorithme de régulation PI.

Les paramètres de réglage sont réglés en usine en fonction des types. Pour tenir compte des propriétés du système réglé, le régulateur travaille avec des facteurs d'amplification spécifiques. Ceux-ci sont automatiquement définis lors de l'activation de la fonction Autotune.

Un paramètre de l'appareil permet de modifier la dynamique de régulation à l'aide du logiciel „MassFlowCommunicator“. Ses valeurs extrêmes correspondent à une régulation très rapide, tenant compte des suroscillations, et à une régulation asymptotique plus lente vers la valeur de consigne désirée. Le premier peut entraîner une réaction immédiate aux écarts de réglage même très faibles, d'où une régulation très instable. Pour les processus moins dynamiques, il est possible d'atténuer le comportement du régulateur, de sorte que les fluctuations de la variable instantanée ou de la valeur de consigne ne soient corrigées que lentement.

Le régulateur délivre comme valeur réglante un signal en tension modulé à largeur d'impulsion variable (PWM) à la vanne proportionnelle. La fréquence de ce signal est adaptée à la vanne mise en oeuvre.

Afin de réaliser la fonction de fermeture hermétique de la vanne, un déclenchement au point zéro est intégré. Cette fonction est activée lorsque les deux conditions ci-dessous sont satisfaites simultanément:

$$\text{et} \quad \begin{array}{l} \text{Valeur de consigne} < 2 \% \text{ du débit nominal} \\ \text{Variable instantanée} < 2 \% \text{ du débit nominal} \end{array} \quad ^1)$$

Lorsque le déclenchement au point zéro est activé, le signal PWM est fixé à 0 %, de sorte que la vanne se ferme complètement.

¹⁾ Pour les types 8711 / 8712 / 8713, écart de réglage plus important sur demande.

Selon l'exécution de l'appareil, la valeur de consigne peut être appliquée soit via l'entrée normalisée comme signal analogique, soit comme signal numérique via l'interface de bus de terrain. Indépendamment de l'état de la régulation, la variable de débit actuelle, mesurée par le capteur, est délivrée comme signal analogique via la sortie normalisée, ou comme signal numérique via l'interface de bus de terrain.

Afin d'obtenir un signal de sortie de variable instantanée plus ou moins dynamique, il est possible de varier le degré de filtrage du signal de sortie au moyen du logiciel „MassFlowCommunicator“.

Vanne proportionnelle

Pour toute la série MFC, on utilise comme organe de réglage une vanne proportionnelle à induit mobile provenant du programme de vannes de Bürkert. Des mesures constructives, en particulier sur les vannes des MFC pour faibles débits (type 8713 / 8712 / 8711 / 8710), assurent un guidage sans frottement de l'induit mobile. Allié au pilotage PWM, celles-ci assurent une caractéristique largement linéaire ainsi qu'une réponse de haute sensibilité. Ces deux facteurs sont essentiels pour un fonctionnement optimal dans le circuit de régulation fermé du MFC.

Le diamètre nominal des vannes est défini à partir du débit nominal exigé Q_{nenn} , des rapports de pression de l'application et de la densité du gaz de service.

Sur la base de ces données, Bürkert sélectionne une vanne proportionnelle dont le coefficient de débit K_{Vs} , en fonction des équations d'écoulement pour les rapports de pression spécifiés, permet d'obtenir un débit maximum atteignant au minimum le débit nominal exigé:

- a) pour un écoulement sous-critique ($p_2 > p_1/2$) :

$$Q_{max} = 514 * \sqrt{\frac{\Delta p * p_2}{\rho_N * T_1}} * k_{Vs} > Q_{nenn} \quad (1)$$

ou

- b) pour un écoulement supercritique ($p_2 < p_1/2$) :

$$Q_{max} = 257 * \sqrt{\frac{1}{\rho_N * T_1}} * p_1 * k_{Vs} > Q_{nenn} \quad (2)$$

Les pressions p_1 et p_2 dans les équations (Gl.) (1) et (2) doivent être déterminées aux points de mesure situés directement avant et après le MFC.

Il arrive souvent que l'on ne connaisse pas les pressions avant et après le MFC, mais uniquement les pressions d'entrée et de sortie p_1^* et p_2^* de l'installation complète. Une partie de la perte de charge $p_1^* - p_2^*$ résulte d'autres résistances à l'écoulement (robinets d'arrêt, conduites, filtres, etc.) dont le coefficient de débit peut être réuni dans un facteur k_{Va} .

A partir du débit nominal désiré Q_{nom} et des pressions p_1 et p_2 , on déterminera ensuite, de manière analogue à l'équation Gl. (1) ou (2), le coefficient minimum de l'installation complète k_{Vges} . L'équation:

$$\left(\frac{1}{k_{\text{Vges}}}\right)^2 = \left(\frac{1}{k_{\text{Vs}}}\right)^2 + \left(\frac{1}{k_{\text{Va}}}\right)^2 \quad (3)$$

qui décrit le branchement en série des résistances du MFC (k_{Vs}) et de l'installation (k_{Va}), permet de déterminer, si l'on connaît k_{Va} , le coefficient k_{Vs} nécessaire du MFC, et par conséquent le diamètre nominal de l'organe de réglage. Ce facteur se révélera plus grand qu'en l'absence d'autres résistances à l'écoulement.

Le coefficient dit "autorité de vanne"

$$\psi = \frac{(\Delta p)_{\text{V0}}}{(\Delta p)_0} = \frac{k_{\text{Vs}}^2}{[k_{\text{Va}}^2 + k_{\text{Vs}}^2]} \quad (4)$$

est important pour le comportement de régulation du MFC dans l'installation. Il ne devrait pas être inférieur à une valeur de 0,3 à 0,5.

Importance des symboles:

k_{Vges}	Coefficient de débit de l'installation avec MFC intégré
k_{Va}	Coefficient de débit de l'installation sans MFC intégré (peut être déterminé en "court-circuitant" la conduite sur le lieu de montage du MFC)
k_{Vs}	Coefficient de débit du MFC avec organe de réglage complètement ouvert en [m ³ /h]
ρ_{N}	Densité du fluide en [kg/m ³] dans les conditions normalisées (1013 mbar, 273 K)
T_1	Température du gaz en K
p_1, p_2	Pression absolue en [bar], avant et après le MFC
$\Delta p = p_1 - p_2$	
Q_{max}	Débit maximum à travers la vanne en [l _N /min]
Q_{nom}	Débit nominal du MFC en [l _N /min], dont la régulation est assurée avec une valeur de consigne de 100 %
$(\Delta p)_0$	Perte de charge de l'installation complète
$(\Delta p)_{\text{V0}}$	Part de la perte de charge dévolue au MFC avec vanne complètement ouverte.

**REMARQUE**

L'installation ne doit pas être dimensionnée trop chichement sur la base du coefficient de débit (k_{va}), pour que la majeure partie de la perte de charge disponible ne soit pas déjà absorbée au débit nominal désiré, et que la dimension nominale de la vanne du MFC ne doive pas être choisie plus grande ($kvs \gg kva$) en raison de la faible perte de charge restante. Dans ce cas, l'autorité de la vanne deviendrait trop faible, et seule une partie de la plage de travail de la vanne serait utilisée. Ceci pourrait dégrader la résolution et la qualité de la régulation. En cas de dimensionnement trop „chiche“ de l'installation, ce n'est pas l'augmentation du diamètre nominal de la vanne MFC qui sera efficace, mais plutôt l'augmentation de la pression primaire ou de la valeur de k_{va} , par exemple en adoptant un diamètre de tuyauterie accru, ce qui permettra de maintenir l'autorité de vanne dans une gamme admissible.

Si l'appareil est exploité à l'intérieur de la gamme de pression spécifiée, la vanne proportionnelle pourra assurer, en plus de la fonction de régulation, une fonction de fermeture hermétique.

CARACTERISTIQUES TECHNIQUES

Facteurs liés à l'environnement

- Fluctuations de température selon EN 60068-2-14, Nb et EN 60068-2-33
- Chaleur humide selon EN 60068-2-38, Z/AD
- Chocs selon EN 60068-2-27
- Oscillations selon EN 60068-2-6
- Degré de protection IP selon EN 60529
- Chute libre selon EN 60068-2-32
- Essai de chute UPS selon DIN ISO 2248 et DIN ISO 2206

Compatibilité électromagnétique (EMV)

Tous les appareils sont conformes CE pour un usage industriel, et ont par conséquent passé les contrôles CEM y relatifs conformément à

EN 50081-2:03/94 „Norme fondamentale Emissions parasites;
section 2: Usage industriel“

EN 50082-2:02/96 „Norme fondamentale Immunité aux parasites;
section 2: Usage industriel“.

Interfaces de communication

RS232: connexion directe au PC par adaptateur RS232, communication avec un logiciel spécial (MassFlowCommunicator – voir annexe C).

Pour les types 8711 / 8701 / 8713 / 8703 et 8710 / 8700, un pilote d'interface externe est nécessaire (ce pilote est intégré dans l'adaptateur pour ce type - cf. annexe A).

RS485: connexion via un adaptateur RS485 (sauf types 8713 / 8703)

BUS: Connexion Profibus DP ou DeviceNet (uniquement appareils à bus)

Matériaux des joints

FKM (autres matériaux sur demande)

La compatibilité des matériaux de joints avec les fluides de service courants est indiquée dans les tableaux de résistance Bürkert.



ATTENTION!

Les données de ce tableau n'ont qu'un caractère informatif et ne remplacent pas des essais spécifiques dans les conditions réelles de service. En particulier, aucune garantie ne peut en être dérivée en ce qui concerne la compatibilité aux fluides.

Type 8626 / 8006 MASS FLOW INLINE

Valeur de pleine échelle (Q_{nenn})	25 ... 1500 L _N /min (fluide de référence N ₂)
Fluides de service	gaz neutres, non conaminés, autres sur demande
Pression max. de service	10 bar, selon le diamètre nominal de la vanne
Fluide d'étalonnage	Gaz de service ou air
Température du fluide	-10 à + 70 °C
Température ambiante	-10 à + 45 °C
Précision de mesure (après mise à température de 15 min.)	± 1,5 % p. m. ± 0,3 % p. e.
Linéarité	± 0,25 % p. e.
Reproductibilité	± 0,1 % p.e.
Rapport d'échelle	1 : 50
Temps de réglage (T _{95%})	< 500 ms
Tension de service	24 V DC ± 10 %; ondulation résiduelle < 5 %
Section de branchement	min. 0,5 mm ² (0,75 mm ² avec vanne type 2836)
Puissance absorbée	20 W - max. 50 W (type 8626, selon vanne) 22,5 W - max. 52,5 W (type 8626 bus selon vanne) 10 W (type 8006) 12,5 W (type 8006 bus)
Isolation galvanique	Oui
Spécification de valeur de consigne (sélectionnable)	0 - 10 V 0 - 5 V 0 - 20 mA 4 - 20 mA
Résolution	2,5 mV resp. 5 µA
Impédance d'entrée (entrée tension)	> 20 kOhm
Impédance d'entrée (entrée courant)	< 300 Ohm
3 entrées binaires	Actif sur bas, relier à DGND pour activation
Signal de sortie (sélectionnable)	0 - 10 V 0 - 5 V 0 - 20 mA 4 - 20 mA
Résolution	10 mV resp. 20 µA
Courant max. (sortie tension)	10 mA
charge max. (sortie courant)	600 Ohm
2 sorties relais	inverseur libre de potentiel 60 V, 1 A, 60 VA
Branchements	Prise à 8 pôles Prise à 15 pôles SUB-HD Prise à 9 pôles SUB-D (seul. exécution à bus)
Indice de protection	IP 65 (avec les connecteurs prescrits)
Matériau du boîtier	Aluminium (éloxé) ou acier inoxydable 1.4305
Matériau du couvercle	Aluminium coulé sous pression, peint
Position de montage	horizontale ou verticale

Type 8710 / 8700 MASS FLOW

MAN 1000011173 ML Version: L Status: PL (released I freigegeben) printed: 14.12.2009

Valeur de pleine échelle (Q_{nom})	0,005 ... 1,0 l_N /min (fluide de référence N_2)
Fluides de service	gaz neutres, non contaminés; autres sur demande
Pression max. de service (Pression d'alimentation / d'entrée)	10 bar, selon le diamètre nominal de la vanne
Fluide d'étalonnage	gaz de service ou air
Température du fluide	-10 à +70 °C
Température ambiante	-10 à +50 °C
Précision de mesure (après mise à température de 30 min.)	± 1,5 % v. M. ± 0,3 % v. E.
Linéarité	± 0,25 % v. E.
Reproductibilité	± 0,1 % v. E.
Rapport d'échelle	1 : 50
Temps de réglage ($T_{95\%}$)	< 3 s
Tension de service	24 V DC ± 10 %; ondulation résiduelle < 5 %
Section de branchement	min. 0,25 mm ² (de préférence 0,5 mm ²)
Puissance absorbée	max. 6,5 W (en fonction de la vanne) / max. 9 W (sur es exécutions avec bus)
Isolation galvanique	non
Spécification de valeur de consigne (sélectionnable)	0 ... 10 V, 0 ... 5 V 0 ... 20 mA ou 4 ... 20 mA
Résolution	2,5 mV resp. 5 µA
Impédance d'entrée (entrée tension)	> 20 kOhm
Impédance d'entrée (entrée courant)	< 300 Ohm
2 entrées binaires	actif sur bas, relier à DGND pour activation
Signal de sortie (sélectionnable)	0 ... 10 V, 0 ... 5 V 0 ... 20 mA ou 4 ... 20 mA
Résolution	10 mV resp. 20 µA
Courant max. (sortie tension)	10 mA
Charge max. (sortie courant)	600 Ohm
1 sorties relais	inverseur libre de potentiel 25 V, 1 A, 25 VA
Branchements	Connecteur 15 pôles SUB D Connecteur M12, 5 pôles (uniquement avec DeviceNet) Douille M12, 5 pôles, codage B (uniquement avec Profibus DP)
Indice de protection	IP 50
Matériau du boîtier	Aluminium ou Acier inoxydable
Matériau du couvercle	PBT
Position de montage	horizontale ou verticale

Type 8711 / 8701 MASS FLOW CMOSens®

Valeur de pleine échelle (Q_{nenn})	0,02 ... 50 L _N /min (fluide de référence N ₂)
Fluides de service	gaz neutres, non contaminés, autres sur demande
Pression de service max (pression d'entrée, amont,)	10 bar, selon le diamètre nominal de la vanne
Fluide d'étalonnage	Gaz de service ou air
Température du fluide	-10 ... + 70 °C
Température ambiante	-10 ... + 50 °C
Précision de mesure (après mise à température de 1 min.)	± 0,8 % p.m. ± 0,3 % p.e.
Linéarité	± 0,1 % p.e.
Reproductibilité	± 0,1 % p.e.
Rapport d'échelle	1 : 50; plage de mesure plus importante sur demande
Temps de réglage ($T_{95\%}$)	< 300 ms
Tension de service	24 V DC ± 10 %; ondulation résiduelle < 5 %
Section de branchement	min. 0,25 mm ² (0,5 mm ² préférable)
Puissance absorbée	max. 13 W (en fonction de la vanne)
Isolation galvanique	Non
Spécification de valeur de consigne (sélectionnable)	0 ... 10 V 0 ... 5 V 0 ... 20 mA ou 4 ... 20 mA
Résolution	2,5 mV resp. 5 µA
Impédance d'entrée (entrée tension)	> 20 kOhm
Impédance d'entrée (entrée courant)	< 300 Ohm
2 entrées binaires	low-actives, connecter à GND pour l'activation
Signal de sortie (sélectionnable)	0 ... 10 V 0 ... 5 V 0 ... 20 mA ou 4 ... 20 mA
Résolution	10 mV resp. 20 µA
Courant max. (sortie tension)	10 mA
charge max. (sortie courant)	600 Ohm
1 sorties relais	inverseur libre de potentiel 25 V, 1 A, 25 VA
Branchements	Prise à 15 pôles SUB-HD Connecteur M12, 5 pôles (uniquement avec DeviceNet) Connecteur M12, 5 pôles, codage B (uniquement avec Porifbus DP)
Indice de protection	IP 50
Matériau boîtier couvercle	aluminium ou acier inoxydable Acier chromé ou PBT
Position de montage	horizontale ou verticale

Type 8712 / 8702 MASS FLOW CMOSens®

Valeur de pleine échelle (Q_{nom})	0,02 ... 50 L _N /min (fluide de référence N ₂)
Fluides de service	gaz neutres, non contaminés, autres sur demande
Pression max. de service	10 bar, selon le diamètre nominal de la vanne
Fluide d'étalonnage	Gaz de service ou air
Température du fluide	-10 ... + 70 °C
Température ambiante	-10 ... + 50 °C
Précision de mesure (après mise à température de 1 min.)	± 0,8 % p.m. ± 0,3 % p.e.
Linéarité	± 0,1 % p.e.
Reproductibilité	± 0,1 % p.e.
Rapport d'échelle	1 : 50; plage de mesure plus importante sur demande
Temps de réglage ($T_{95\%}$)	< 300 ms
Tension de service	24 V DC ± 10 %; ondulation résiduelle < 5 %
Section de branchement	min. 0,25 mm ² (0,5 mm ² préférable)
Puissance absorbée	max. 6,5 W (Type 8712) max. 9 W (Type 8712 bus) 2,5 W (Type 8702) 5 W (Type 8702 bus)
Isolation galvanique	Oui
Spécification de valeur de consigne (sélectionnable)	0 ... 10 V 0 ... 5 V 0 ... 20 mA 4 ... 20 mA
Résolution	2,5 mV resp. 5 µA
Impédance d'entrée (entrée tension)	> 20 kOhm
Impédance d'entrée (entrée courant)	< 300 Ohm
3 entrées binaires	Actif sur bas, relier à GND pour activation
Signal di sortie (sélectionnable)	0 ... 10 V 0 ... 5 V 0 ... 20 mA 4 ... 20 mA
Résolution	10 mV resp. 20 µA
Courant max. (sortie tension)	10 mA
charge max. (sortie courant)	600 Ohm
2 sorties relais	inverseur libre de potentiel 60 V, 1 A, 60 VA
Branchements	Prise à 8 pôles Prise à 15 pôles SUB-HD Prise à 9 pôles SUB-D (seul. exécution à bus)
Indice de protection	IP 65 (avec les connecteurs prescrits)
Matériau du boîtier / couvercle	Acier inoxydable 1.4305 /PBT
Position de montage	horizontale ou verticale

Type 8713 / 8703 MASS FLOW CMOSens®

Valeur de pleine échelle (Q_{nenn})	0,02 ... 50 L _N /min (fluide de référence N ₂)
Fluides de service	gaz neutres, non contaminés, autres sur demande
Pression max. de service	10 bar, selon le diamètre nominal de la vanne
Fluide d'étalonnage	Gaz de service ou air
Température du fluide	-10 ... + 70 °C
Température ambiante	-10 ... + 50 °C
Précision de mesure (après 1 min d'échauffement)	± 0,8 % de la valeur moyenne ± 0,3 % de la valeur finale
Linéarité	± 0,1 % p.e.
Reproductibilité	± 0,1 % p.e.
Rapport d'échelle	1 : 50; plage de mesure plus importante sur demande
Temps de réglage ($T_{95\%}$)	< 300 ms
Tension de service	24 V DC ± 10 %; ondulation résiduelle < 5 %
Section de branchement	min. 0,25 mm ² (mieux 0,5 mm ²)
Puissance absorbée	max. 6,5 W
Isolation galvanique	Oui
Spécification des valeur de consigne	communication numérique via RS 485
1 entrée binaire	low-active, connecter à GND pour l'activation
Signal de sortie	communication numérique via RS 485
1 sorties relais	inverseur libre de potentiel 25 V, 1 A, 25 VA
Branchements	Prise à 9 pôles SUB-D)
Indice de protection	IP 50
Matériau boîtier	aluminium ou acier inoxydable 1.4305
couvercle	Acier chromé
Position de montage	horizontale ou verticale

Type 8716 / 8706 MASS FLOW INLINE

Valeur pleine échelle (Q_{nenn})	8716: 25 ... 500 L_N/min (fluide de référence N_2) 8706: 25 ... 1500 L_N/min (fluide de référence N_2)
Fluides de service	gaz neutres, non contaminés, autres sur demande
Pression max. de service	10 bar, selon le diamètre nominal de la vanne
Fluide d'étalonnage	Gaz de service ou air
Température du fluide	-10 ... + 70 °C
Température ambiante	-10 ... + 45 °C
Précision de mesure (après mise à température de 15 min.)	$\pm 1,5$ % p.m. ou $\pm 0,3$ % p.e.
Linéarité	$\pm 0,25$ % p.e.
Reproductibilité	$\pm 0,1$ % p.e.
Rapport d'échelle	1 : 50
Temps de réglage ($T_{95\%}$)	< 500 ms
Tension de service	24 V DC ± 10 %; ondulation résiduelle < 5 %
Section de branchement	min. 0,5 mm ²
Puissance absorbée	20 W - max. 30 W (type 8716, selon vanne) 22,5 W - max. 32,5 W (type 8716 bus, selon vanne) 10 W (type 8706) 12,5 W (type 8706 bus)
Isolation galvanique	Oui
Spécification de valeur de consigne (sélectionnable)	0 ... 10 V 0 ... 5 V 0 ... 20 mA 4 ... 20 mA
Résolution	2,5 mV resp. 5 μ A
Impédance d'entrée (entrée tension)	> 20 kOhm
Impédance d'entrée (entrée courant)	< 300 Ohm
3 entrées binaires	Actif sur bas, relier à GND pour activation
Signal de sortie (sélectionnable)	0 ... 10 V 0 ... 5 V 0 ... 20 mA 4 ... 20 mA
Résolution	10 mV resp. 20 μ A
Courant max. (sortie tension)	10 mA
charge max. (sortie courant)	600 Ohm
2 sorties relais	inverseur libre de potentiel 60 V, 1 A, 60 VA
Branchements	Prise à 8 pôles Prise à 15 pôles SUB-HD Prise à 9 pôles SUB-D (seul. exécution à bus)
Indice de protection	IP 65 (avec les connecteurs prescrits)
Matériau du boîtier	Aluminium (éloxé) ou acier inoxydable 1.4305
Matériau du couvercle	PBT
Position de montage	horizontale ou verticale

MONTAGE, INSTALLATION ET MISE EN SERVICE

Dessins cotés

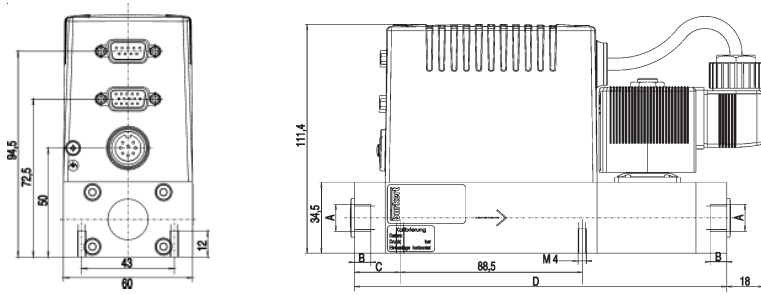


Figure: Type 8626/8006 MASS FLOW INLINE

français

MAN 1000011173 ML Version: L Status: PL (released | freigegeben) printed: 14.12.2009

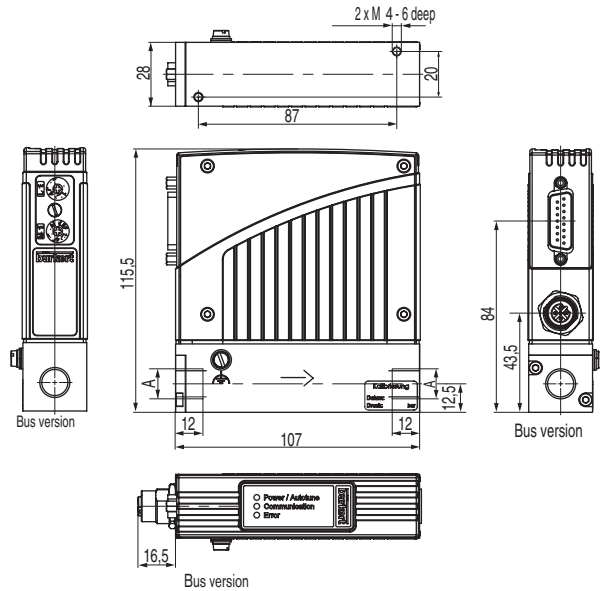


Figure: Type 8710/8700 MASS FLOW CAPILLARY / Type 8711/8701 MASS FLOW CMOSens®

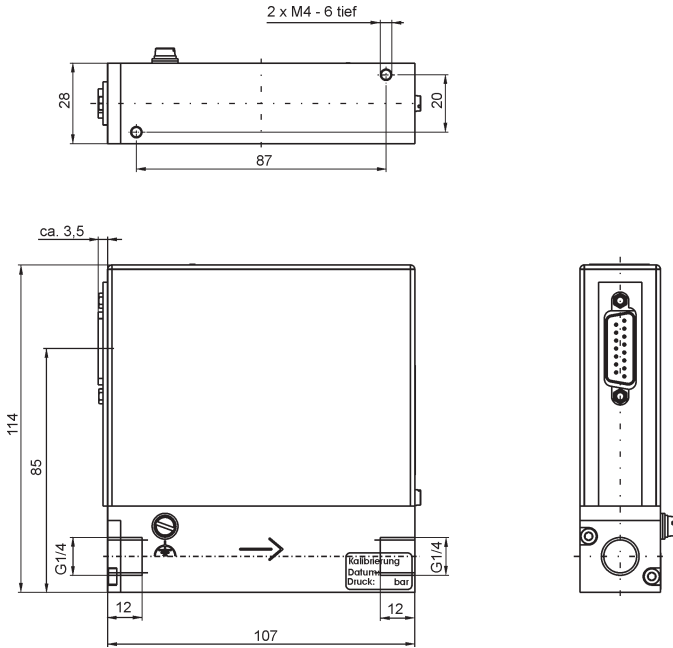


Figure: Typ 8711 / 8701 MASS FLOW CMOSens® (avec couvercle de tôle d'acier)

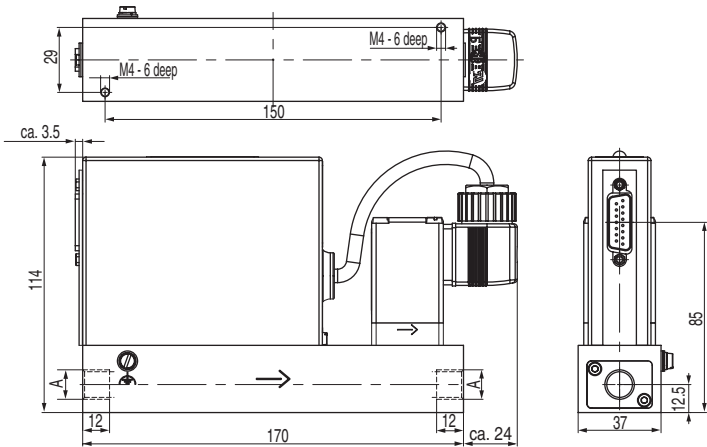


Figure: Type 8711 avec vanne externe

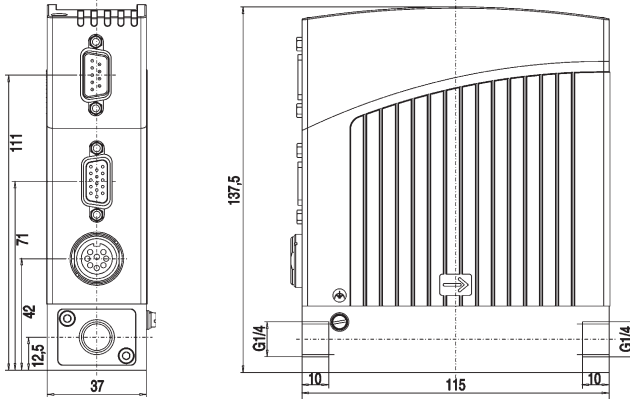


Figure: Type 8712/8702 MASS FLOW CMOSens®

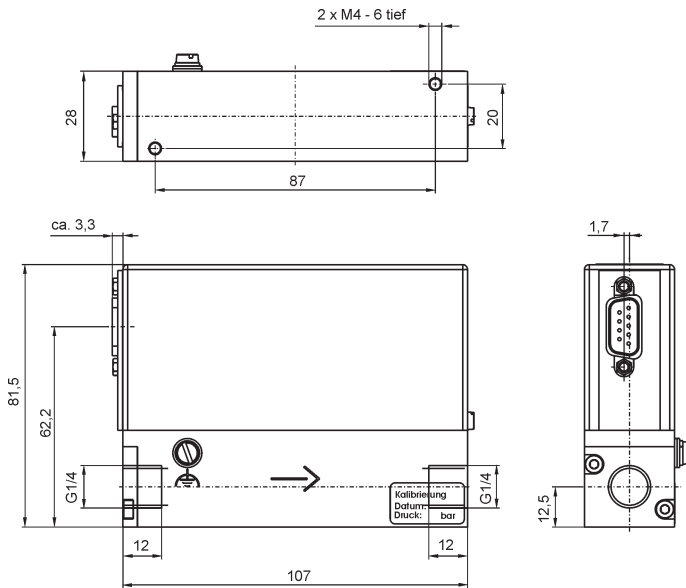


Figure: Typ 8713 / 8703 MASS FLOW CMOSens®

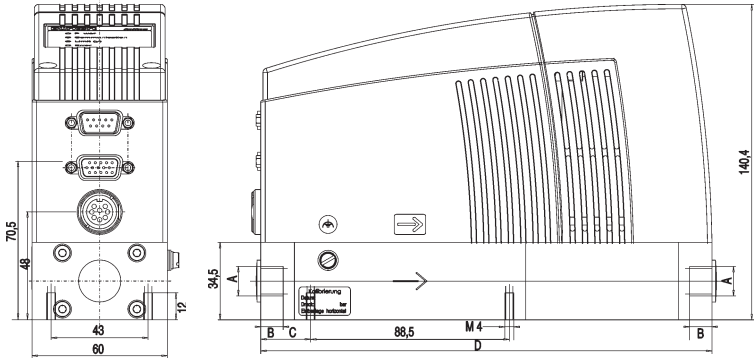


Figure: Type 8716/8706 MASS FLOW INLINE (avec corps de capteur standard)



Recommandations générales pour l'installation et la mise en service

Avant l'installation, observer les points suivants:

- Prévoir en amont des filtres appropriés afin de garantir la propreté du fluide de service.
- Observer la position de montage (voir les données d'étalonnage).
- Prévoir une unité d'alimentation d'une puissance suffisante.
- Observer l'ondulation résiduelle de la tension de service.
- Avant le montage du MFC, éliminer toute impureté des tuyaux.

Lors de la mise en service d'un MFC/MFM, procéder dans l'ordre suivant:

1. Installation mécanique et fluïdique
2. Installation électrique
3. Application du fluide de service
4. Exploitation normale

REMARQUE

La précision spécifiée ne peut être obtenue, après la mise sous tension, qu'une fois que le processus d'égalisation thermique est achevé et que l'appareil a atteint sa température de service (cette durée est tributaire du type de l'appareil (voir les *Caractéristiques Techniques*)).

Exploitation avec robinet d'arrêt supplémentaire

La vanne proportionnelle intégrée dans le MFC assure la fonction de fermeture hermétique, de sorte qu'aucun robinet d'arrêt supplémentaire n'est requis dans le circuit du fluide. Si cependant pour des raisons de sécurité on désire placer un robinet en amont ou en aval du MFC, la séquence de commande devrait être la suivante:

Démarrage

1. Application de la pression
2. Ouverture du robinet d'arrêt
3. Fixation de la valeur de consigne du MFC (mode de régulation normal)

Arrêt

1. Fixation de la valeur de consigne du MFC à 0 %
2. Fermeture du robinet d'arrêt lorsque la variable instantanée atteint 0 %

Tout ordre différent pourrait entraîner, lors de l'ouverture suivante du robinet d'arrêt, même avec une valeur de consigne nulle, une courte impulsion de flux, et une nette suroscillation lors de la première fixation de consigne.

Installation mécanique et fluïdique

Sélectionner les raccordements fluïdiques disponibles en fonction du débit maximum. Aucune section d'entrée n'est nécessaire. Au besoin, nous sommes en mesure de livrer des dimensions spéciales, qui devront alors être prises en compte lors de la conception du circuit en ce qui concerne le débit et la perte de charge.

Raccords fluïdiques

Les appareils peuvent également être livrés, demande, avec des raccords fluïdiques montés. Sélectionnez les raccords fluïdiques correspondants dans le tableau de l'annexe B.

Raccords sur MFC/MFM

Type	Filetages standard				Filetages spéciaux				Brides
	G 1/4"	G 3/8"	G 1/2"	G 3/4"	NPT 1/4"	NPT 3/8"	NPT1/2"	NPT3/4"	
8626	X	X	X	X	X	X	X	X	
8006	X	X	X	X	X	X	X	X	
8716	X	X	X	X	X	X	X	X	
8706	X	X	X	X	X	X	X	X	
8713	X				X				X
8703	X				X				X
8712	X				X				X
8702	X				X				X
8711	X				X				X
8701	X				X				X
8710	X				X				X
8700	X				X				X

Montage de raccords à bague de serrage

ATTENTION!

En cas de faible débit et de pression élevée, accorder son attention à l'étanchéité du circuit afin d'éviter les erreurs de dosage ou de fuites de gaz.

Pour assurer une bonne étanchéité du système, procéder au montage comme suit:

- Monter les raccords de tuyauterie sans tension (le cas échéant, utiliser des compensateurs).
- Utiliser des tubes de diamètre assorti et à surface lisse.
- Scier les tubes droits et les ébavurer.
- Monter dans l'ordre l'écrou-raccord, la bague d'assise (si prévue) et la bague de serrage sur le tube.
- Introduire le tube jusqu'au fond dans le raccord.
- Serrer l'écrou-raccord à la force des doigts.
- Avec une clé, retenir le côté vissé (de manière à ne pas exercer de contrainte sur le boîtier de l'appareil) et serrer de 1 1/4 tour.

Raccordements électriques

ATTENTION!

Afin d'assurer la compatibilité électromagnétique (CEM), relier le boîtier à la borne de terre fonctionnelle (FE) au moyen d'un câble aussi court que possible (de section aussi grande que possible).

Les lignes GND ou de masse de tous les signaux du MFC/MFM doivent dans tous les cas être reliées individuellement au MFC. (Si tous les signaux GND étaient réunis sur le MFC et qu'une seule ligne est menée jusqu'à l'armoire de commande, il pourrait en résulter des décalages de signaux ou des parasites (impulsions, oscillations, etc.) sur les signaux analogiques.

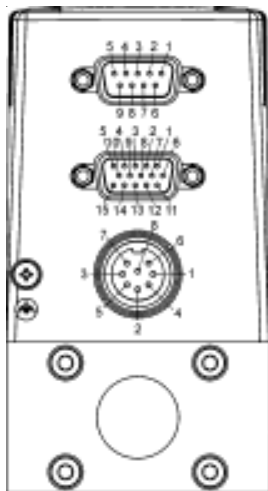
Les MFC/MFM sont alimentés en tension continue de 24 V. Choisir une section de raccordement en fonction de la vanne utilisée et aussi grande que possible (voir *Caractéristiques techniques*). Des câbles de raccordement appropriés sont décrits à l'annexe A.

ATTENTION!

Le connecteur rond 8 pôles (types 8626 / 8006 / 8712 / 8702 / 8716 / 8706) doit être serré à la main.

- Raccorder la terre fonctionnelle (FE) à une vis identifiée, par ex. à l'aide d'une cosse.

Affectation des broches pour les types 8626 / 8006



Prise SUB-D 9 pôle (exécution bus seulement)		
	PROFIBUS DP	DeviceNet
1	Blindage (FE) terre fonctionnelle	
2	N. C. (non connecté)	CAN_L ligne de données
3	RxD/TxD-P ligne B	GND
4	RTS signal de commande pour répéteur	N. C.
5	GND potentiel de transmission des données	N. C.
6	VDD Tension d'alimentation + (P5V)	N. C.
7	N. C.	CAN_H ligne de données
8	RxD/TxD-N ligne A	N. C.
9	N. C.	N. C.

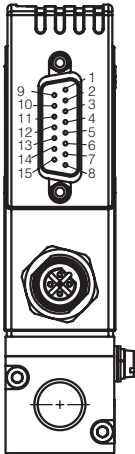
Prise SUB-HD 15 pôles		
	Pilotage analogique	Exécution à bus
1	Entrée valeur de consigne +	N. C.
2	Entrée valeur de consigne GND	N. C.
3	Sortie valeur mesurée +	N. C.
4	Entrée binaire 2	
5	Sortie 12 V (utilisation interne seulement)	
6	RS232 TxD (raccordement direct au PC)	
7	Entrée binaire 1	
8	DGND (pour entrée binaire)	
9	utilisation interne seulement (ne pas connecter!)	
10	Sortie 12 V (utilisation interne seulement)	
11	Sortie 12 V (utilisation interne seulement)	
12	Entrée binaire 3	
13	GND sortie valeur mesurée	N. C.
14	RS232 RxD (raccordement direct au PC)	
15	DGND (pour interface RS232)	

Prise 8 pôle (ronde)	
1	Alimentation 24 V +
2	Relais 1 contact central
3	Relais 2 contact central
4	Relais 1 - contact de repos
5	Relais 1 - contact de travail
6	24 V GND alimentation
7	Relais 2 - contact de repos
8	Relais 2 - contact de travail



REMARQUE

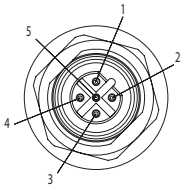
Si l'on doit remplacer un appareil du type 8626/8006 d'avant 2003 par un modèle plus récent (à partir de 2003), ceci peut être fait à l'aide d'un adaptateur (voir l'annexe A) sans nécessiter de câblage supplémentaire.

Affectation des broches pour les types 8710 / 8700

Prise SUB-D 15 pôles

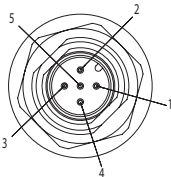
1	Relais - contact de repos
2	Relais - contact de travail
3	Relais - contact central
4	GND pour alimentation 24 V et entrées binaires
5	Alimentation 24 V +
6	Sortie 8 V (utilisation interne seulement)
7	Entrée valeur de consigne GND
8	Entrée valeur de consigne +
9	Sortie valeur mesurée GND
10	Sortie valeur mesurée +
11	DGND (pour RS 232)
12	Entrée binaire 1
13	Entrée binaire 2
14	RS 232 RxD (sans pilote)
15	RS 232 TxD (sans pilote)

Uniquement en exécution avec bus de champ
**Douille M12 Profibus DP, codage B
(DPV1 max. 12 Mbaud)**

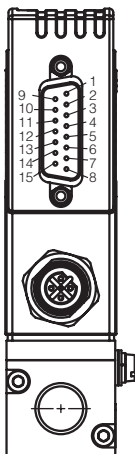
Broche	Affectation
1	VDD
2	R x D / T x D - N (ligne A)
3	DGND
4	R x D / T x D - P (ligne B)
5	Écran


Connecteur M12 - DeviceNet

Broche	Affectation
1	Blindage
2	VDD
3	DGND
4	CAN_H
5	CAN_L



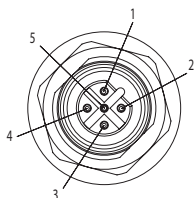
Affectation des broches pour les types 8711 / 8701



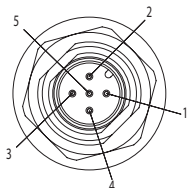
Prise SUB-D 15 pôles	
1	Relais - contact de repos
2	Relais - contact de travail
3	Relais - contact central
4	GND pour alimentation 24 V et entrées binaires
5	Alimentation 24 V +
6	Sortie 8 V (utilisation interne seulement)
7	Entrée valeur de consigne GND
8	Entrée valeur de consigne +
9	Sortie valeur mesurée GND
10	Sortie valeur mesurée +
11	DGND (pour RS 232)
12	Entrée binaire 1
13	Entrée binaire 2
14	RS 232 RxD (sans pilote)
15	RS 232 TxD (sans pilote)

Uniquement en exécution avec bus de camp

Douille M12 Profibus DP, codage B (DPV1 max. 12 Mbaud)

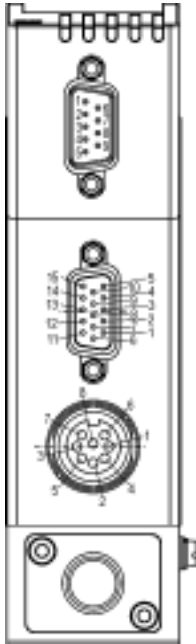


Broche	Affectation
1	VDD
2	R x D / T x D - N (ligne A)
3	DGND
4	R x D / T x D - P (ligne B)
5	Écran



Connecteur M12 - DeviceNet

Broche	Affectation
1	Blindage
2	VDD
3	DGND
4	CAN_H
5	CAN_L

Affectation des broches pour les types 8712 / 8702

Prise 8 pôle (ronde)

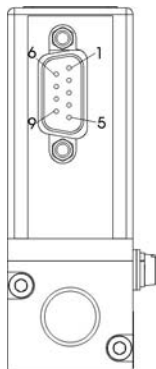
1	Alimentation 24 V +
2	Relais 1 contact central
3	Relais 2 contact central
4	Relais 1 - contact de repos
5	Relais 1 - contact de travail
6	24 V GND alimentation
7	Relais 2 - contact de repos
8	Relais 2 - contact de travail

Prise SUB-D 9 pôle (exécution bus seulement)

	PROFIBUS DP	DeviceNet
1	Blindage (FE) terre fonctionnelle	
2	N. C. (not connecté)	CAN_L ligne de données
3	RxD/TxD-P ligne B	GND
4	RTS signal de commande pour répéteur	N. C.
5	GND potentiel de transmission des données	N. C.
6	VDD Tension d'alimentation + (P5V)	N. C.
7	N. C.	CAN_H ligne de données
8	RxD/TxD-N ligne A	N. C.
9	N. C.	N. C.

Prise SUB-HD 15 pôles

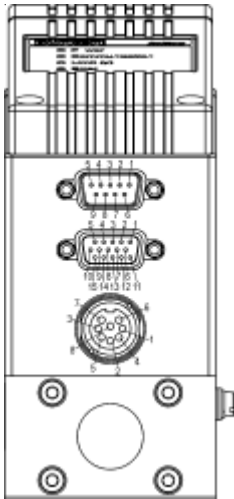
	Pilotage analogique	Exécution à bus
1	Entrée valeur de consigne +	N. C.
2	Entrée valeur de consigne GND	N. C.
3	Sortie valeur mesurée +	N. C.
4	Entrée binaire 2	
5	Sortie 12 V (utilisation interne seulement)	
6	RS232 TxD (raccordement direct au PC)	
7	Entrée binaire 1	
8	DGND (pour entrée binaire)	
9	utilisation interne seulement (ne pas connecter!)	
10	Sortie 12 V (utilisation interne seulement)	
11	Sortie 12 V (utilisation interne seulement)	
12	Entrée binaire 3	
13	GND sortie valeur mesurée	N. C.
14	RS232 RxD (raccordement direct au PC)	
15	DGND (pour interface RS232)	

Affectation des broches pour les types 8713 / 8703

Prise SUB-D 9 pôles	
1	Entrée binaire (rapportée à GND broche 2)
2	GND
3	Alimentation + 24 V DC
4	Relais - contact C
5	Relais - contact NC
6	TX+ (RS 485-Y)*
7	TX+ (RS 485-Z)*
8	RX+ (RS 485-B)*
9	RX+ (RS 485-A)*

* Pour un fonctionnement en semi-duplex, connecter la broche 6 à la broche 9 et la broche 7 à la broche 8

Brochage des connecteurs type 8716 / 8706



Prise SUB-D 9 pôle (exécution bus seulement)		
	PROFIBUS DP	DeviceNet
1	Blindage (FE) terre fonctionnelle	
2	N. C. (non connecté)	CAN_L ligne de données
3	RxD/TxD-P ligne B	GND
4	RTS signal de commande pour répéteur	N. C.
5	GND potentiel de transmission des données	N. C.
6	VDD Tension d'alimentation + (P5V)	N. C.
7	N. C.	CAN_H ligne de données
8	RxD/TxD-N ligne A	N. C.
9	N. C.	N. C.

Prise SUB-HD 15 pôles		
	Pilotage analogique	Exécution à bus
1	Entrée valeur de consigne +	N. C.
2	Entrée valeur de consigne GND	N. C.
3	Sortie valeur mesurée +	N. C.
4	Entrée binaire 2	
5	Sortie 12 V (utilisation interne seulement)	
6	RS232 TxD (raccordement direct au PC)	
7	Entrée binaire 1	
8	DGND (pour entrée binaire)	
9	utilisation interne seulement (ne pas connecter!)	
10	Sortie 12 V (utilisation interne seulement)	
11	Sortie 12 V (utilisation interne seulement)	
12	Entrée binaire 3	
13	GND sortie valeur mesurée	N. C.
14	RS232 RxD (raccordement direct au PC)	
15	DGND (pour interface RS232)	

Prise 8 pôle (ronde)

1	Alimentation 24 V +
2	Relais 1 contact central
3	Relais 2 contact central
4	Relais 1 - contact de repos
5	Relais 1 - contact de travail
6	24 V GND alimentation
7	Relais 2 - contact de repos
8	Relais 2 - contact de travail



Entrées / sorties

Aperçu des types

Type	Entrée consigne	Sortie variable instantanée	Branche-ment bus	LED	Entrées binaires	Sortie à relais
8006	-	X	-	4	3	2
8626	X	X	-	4	3	2
8006 bus	-	-	X	4	3	2
8626 bus	-	-	X	4	3	2
8700	-	X	-	3	2	1
8710	X	X	-	3	2	1
8700 bus	-	-	X	3	2	1
8710 bus	-	-	X	3	2	1
8701	-	X	-	3	2	1
8711	X	X	-	3	2	1
8701 bus	-	-	X	3	2	1
8711 bus	-	-	X	3	2	1
8702	-	X	-	4	3	2
8712	X	X	-	4	3	2
8702 bus	-	-	X	4	3	2
8712 bus	-	-	X	4	3	2
8703	-	-	X	3	1	1
8713	-	-	X	3	1	1
8706	-	X	-	4	3	2
8716	X	X	-	4	3	2
8706 bus	-	-	X	4	3	2
8716 bus	-	-	X	4	3	2

REMARQUE

Le logiciel PC „MassFlowCommunicator“ peut être obtenu en option. Celui-ci permet de commuter le signal normalisé pour l'entrée de la valeur de consigne ou la sortie de la variable instantanée entre 0 - 5 V, 0 - 10 V, 0 - 20 mA et 4 - 20 mA (voir l'annexe C).

Entrée de la valeur de consigne

L'entrée de la valeur de consigne sert à fixer la consigne via un signal normalisé pour le MFC.

Sortie de la variable instantanée

La sortie de la variable instantanée délivre la valeur du débit actuel sous forme de signal normalisé.

Branchement de bus

Les types 8626, 8006, 8716, 8706, 8712, 8702, 8711, 8701, 8710 et 8700 sont disponibles en version bus. Les valeurs de consigne et mesurées sont reçues ou transmises en retour sous forme numérique via le bus. Il est possible de choisir entre une connexion PROFIBUS-DP ou DeviceNet (voir également *Complément à la notice de l'utilisateur des appareils à bus de terrain ou communication série RS 232 / RS 485*).

Diodes luminescentes pour l'affichage des modes opérationnels (dispositions de base)

LED POWER (verte)	<i>allumée</i>	L'appareil se trouve sous tension de service.
	<i>clignote</i>	Fonction Autotune active
LED COMMUNICATION (jaune)	<i>allumée</i>	L'appareil communique via le bus ou RS232.
LED LIMIT (y) (bleu)	<i>allumée</i>	Sur MFC: indique que la variable réglante de la vanne a atteint une valeur proche de 100 %. En pratique, cela signifie principalement que la pression du régulateur ne suffit pas pour réaliser le débit exigé. Sur MFM: indique que la variable instantanée a pratiquement atteint le débit maximum.
	<i>clignote</i>	L'appareil se trouve dans un mode différent de la régulation ou Autotune.
LED ERROR (rouge)	<i>allumée</i>	Erreur non critique, par exemple opération Autotune pas terminée avec succès ou LED défectueuse.
	<i>clignote</i>	Erreur critique, par ex. rupture du capteur ou défaut interne d'alimentation.

Entrées binaires (configuration par défaut)

Pour déclencher l'évènement désiré, l'entrée binaire doit être reliée à DGND durant au minimum 0,5 s.

Fonctions

Entrée binaire 1	fonction Autotune (non prévue sur MFM)
Entrée binaire 2	non affectée (pas disponible sur les types 8713 / 8703) (en cas de deuxième étalonnage au gaz commutation gaz 1 – gaz 2)
Entrée binaire 3	non affectée (pas disponible sur les types 8710 / 8700 / 8711 / 8701 / 8713 / 8703)



Sorties binaires (configuration par défaut)

Les entrées binaires sont réalisées sous forme de sortie à relais (contacts inverseurs hors potentiel).

Fonctions

Relais 1**	LIMIT (y)
Relais 2*	ERROR (en cas d'erreur critique, par ex. rupture de capteur ou défaut interne d'alimentation)

* (pas disponible sur les types 8710 / 8700 / 8711 / 8701 / 8713 / 8703)

** (sous forme de contact de repos sur les types 8713 / 8703)

REMARQUE Les fonctions des voyants POWER et ERROR ne peuvent pas être modifiées.
Les fonctions des entrées et sorties des signaux normalisés décrites ici et des entrées et sorties binaires sont des réglages par défaut.

Affectation des entrées et sorties, spécifique à l'application

Les MFC offrent en outre à l'utilisateur la possibilité d'affecter d'autres fonctions aux entrées et sorties binaires. Les appareils peuvent être ainsi adaptés à des conditions particulières d'installation ou à des exigences spécifiques de l'application.

Les fonctions peuvent être réglées avec le logiciel de communication (MassFlowCommunicator – voir annexe C). Le réglage des fonctions est expliqué en détail dans la fonction d'aide du MassFlowCommunicator, au point de menu „Assignment of In- and Outputs“ (affectation des entrées et sorties).

Diodes électroluminescentes dans l'appareil

Les diodes électroluminescentes intégrées dans l'appareil signalent les états de fonctions affectées précédemment, p. ex.

- Signalisation de l'étalonnage au gaz utilisé dans le fonctionnement actuel
- Signalisation des entrées binaires actives
- Ouverture ou fermeture complète de la vanne
- Ajustement de la valeur de sécurité
- Le profil de la valeur de consigne de l'appareil est ajusté
- Mode pilotage actif / inactif
- Communication actif / inactif
- Origine de la valeur de consigne – bus / communication série
- Etats divers du bus de terrain ou de la communication série

(Voir la fonction d'aide du MassFlowCommunicator - Assignment of In- and Outputs)

Sorties binaires

Les sorties binaires du MFC peuvent être utilisées pour transmettre certains états spécifiquement définis à un dispositif de commande de niveau supérieur où ils seront traités.

Les sorties binaires donnent en outre des informations sur l'état de l'appareil et peuvent être utilisées pour le diagnostic et l'élimination de dysfonctionnements.

Etat de l'appareil

- mode Auto Tune actif
- étalonnage au gaz actif
- entrées binaires actives
- le profil de valeur de consigne de l'appareil est en cours d'ajustement
- mode commande actif
- la valeur de sécurité est en cours d'ajustement
- la vanne est en cours d'ouverture totale
- la vanne est en cours de fermeture totale
- état du module de bus ou de la communication par bus

Commutateur de valeur limite

Les sorties binaires sont activées en cas de dépassement ou de sous-dépassement de la valeur limite réglable (telles que valeur limite du totalisateur, valeur limite de la valeur de consigne etc.).

Défauts / dysfonctionnements

Des défauts détectés, par exemple sur le capteur, dans la consommation de courant interne ou dans la tension d'alimentation peuvent être signalés.

(Voir la fonction d'aide du MassFlowCommunicator - Assignment of In- and Outputs)

Entrées binaires

Des fonctions prédéfinies peuvent être affectées à des entrées binaires ; elles sont exécutées par l'activation externe de l'entrée binaire correspondante.

- activation du mode Auto Tune
- commutation sur un autre étalonnage au gaz
- valeur de sécurité active / inactive – ajustement de la valeur de sécurité en fonction de l'entrée binaire
- exécution du profil de valeur de consigne
- passage en mode de commande
- remise à zéro du totalisateur
- fermer complètement la vanne / ouvrir complètement la vanne

(Voir la fonction d'aide du MassFlowCommunicator - Assignment of In- and Outputs)

Etats de fonctionnement du MFC

Mode de régulation standard

Il s'agit du mode normal d'exploitation, que le MFC adopte immédiatement après la mise sous tension et une courte phase d'initialisation. Dans la zone des LED, seule la LED Power verte est allumée.

Le débit est réglé sur la valeur de consigne spécifiée avec une dynamique élevée. Les perturbations, suite par exemple à des fluctuations de pression, sont corrigées rapidement par une adaptation de l'ouverture de la vanne de régulation.

Dans ce mode, la valeur de consigne est fixée, selon la variante d'appareil, via l'entrée analogique (entrée de signal normalisée) ou via le bus de terrain.

Les paramètres de régulation sont définis de manière à compenser aussi rapidement que possible les modifications de valeur de consigne ou les perturbations, sans produire de suroscillations notables.



REMARQUE

Lorsque le signal pilote de la vanne de régulation s'approche de la limite de 100%, la LED Limit (y) s'allume. La cause provient généralement d'une pression différentielle insuffisante à travers le MFC, suite par exemple à une pression d'alimentation trop faible, ou du colmatage du filtre. Il peut en résulter que la valeur de consigne ne puisse pas être atteinte, ou qu'il subsiste un écart de régulation positif (w-x). Afin de permettre une réaction externe, une sortie à relais est commutée.

Routine Autotune

La condition à assurer pour une adaptation automatique du régulateur à l'installation est le respect de rapports de pression normaux.

→ Déclencher la routine Autotune en activant l'entrée binaire 1.

La routine Autotune se déroule automatiquement. Durant son exécution, la LED verte POWER clignote.



ATTENTION!

Durant l'exécution de la routine Autotune, observer les points suivants:

- Différentes fluctuations de pression se produisent.
- L'alimentation électrique du MFC ne doit pas être coupée.
- La pression d'alimentation doit être maintenue constante.

Durant l'exécution de la routine Autotune, le MFC n'assure pas de régulation. La vanne de régulation est pilotée en fonction du schéma interne, ce qui entraîne des fluctuations de débit. Durant ce processus, plusieurs paramètres de régulation sont adaptés aux conditions régnant dans l'installation. Lorsque la routine Autotune est terminée, ces paramètres sont ensuite enregistrés dans la mémoire non volatile de l'appareil.

Après l'exécution de la routine Autotune, le MFC retourne dans son mode opérationnel initial.

**REMARQUE**

Durant le contrôle final en usine, chaque MFC a subi la routine Autotune avec la pression de service spécifiée dans le rapport d'étalonnage. Pour assurer une régulation sûre de l'installation, il n'est pas impérativement nécessaire de répéter cette fonction après la mise en service. Nous recommandons néanmoins de l'exécuter lorsque la pression de service diverge de plusieurs bars par rapport à la pression d'étalonnage, ou lorsque la caractéristique de la vanne proportionnelle est fortement influencée suite à une faible autorité de la vanne (voir *Vanne proportionnelle*). La routine Autotune devrait également être exécutée après une modification notable du rapport de pression.

Fonction de sécurité

Selon la configuration de l'appareil, cette fonction peut être activée et désactivée via une entrée binaire ou le bus de terrain.

Dans ce mode, l'appareil se comporte généralement comme dans le mode de régulation normal. Toutefois, une valeur de consigne extérieure est ignorée et une valeur de sécurité définie dans l'appareil (par défaut: 0 %; peut être modifiée à l'aide du logiciel PC MassFlowCommunicator) est utilisée comme valeur de consigne.

Profil de consigne

Selon la configuration de l'appareil, cette fonction peut être activée et désactivée via une entrée binaire ou le bus de terrain.

Dans ce mode, l'appareil se comporte comme dans le mode de régulation normal. Toutefois, une valeur de consigne extérieure est alors ignorée, tandis qu'une succession prédéfinie de jusqu'à 30 valeurs de débit est adoptée comme valeur de consigne (configurable avec le logiciel MassFlowCommunicator).

Après le cycle de consignes, l'appareil retrouve le mode opérationnel précédent.

Mode de commande

Selon la configuration de l'appareil, cette fonction peut être activée et désactivée via une entrée binaire ou le bus de terrain.

Dans ce mode de fonctionnement, la valeur de consigne est utilisée comme valeur de réglage pour le facteur d'utilisation de la vanne,

p. ex. : valeur de consigne = 10 % → facteur d'utilisation de la vanne = 10 %.

Modes opérationnels MFC

Mode opérationnel	peut être suspendu ou arrêté par	Représentation sur affichage (LED) par défaut	Obtention du mode via entrée binaire (si configuré)
Mode de régulation normal	<ul style="list-style-type: none"> · Routine Autotune · Fonction de sécurité · Profil de consigne · Mode de commande 	-	-
Mode de commande	<ul style="list-style-type: none"> · Routine Autotune · Fonction de sécurité · Profil de consigne 	LED LIMIT (y) clignotante	tant qu'il est actif
Profil de consigne	<ul style="list-style-type: none"> · Routine Autotune · Fonction de sécurité · Réinitialisation de l'appareil 	LED LIMIT (y) clignotante	Déclenchement sur entrée binaire active $\geq 0,5$ s (lorsque la LED est allumée fixement, la réinitialisation a toujours lieu)
Routine Autotune	<ul style="list-style-type: none"> · Fonction de sécurité · Réinitialisation de l'appareil 	LED POWER clignotante	Déclenchement sur entrée binaire active $\geq 0,5$ s (lorsque la LED est allumée fixement, la réinitialisation a toujours lieu)
Fonction de sécurité	-	LED LIMIT (y) clignotante	tant qu'il est actif

ENTRETIEN

Exploités conformément aux présentes instructions de service, les MFC et MFM se passent en principe de tout entretien, rendant superflus les réétalonnages de routine.

Sur les types 8626 / 8006 / 8710 / 8700 / 8711 / 8701 / 8712 / 8702 / 8713 / 8703 / 8716 / 8706, si de grandes quantités de particules ont été introduites après une longue utilisation avec un fluide pollué, la grille en fil d'acier inoxydable peut être nettoyée ou remplacée. Elle est accessible après avoir retiré la plaque située côté arrivée du gaz (voir annexe B).

Lorsque le capteur est encrassé par le gaz de service, l'appareil peut produire des écarts de débit accrus après une longue période d'exploitation. Un nettoyage et un réétalonnage en usine se révèlent alors nécessaires.

ATTENTION!

L'ouverture de l'appareil est prohibée! L'intérieur de l'appareil contient d'autres éléments de conditionnement de l'écoulement. Une intervention à l'intérieur, par exemple pour nettoyage, n'est pas admissible, car la modification du signal du capteur rendrait nécessaire un réétalonnage en usine!

DEPANNAGE / LOCALISATION DES DEFAUTS

Problème	Cause probable	Correction
La LED "POWER" ne s'allume pas	Pas d'alimentation électrique	Contrôler le branchement électrique.
La LED "POWER" clignote	Autotune en cours	Voir le chapitre <i>Modes opérationnels</i> .
La LED "POWER" s'éteint périodiquement	La tension d'alimentation est coupée périodiquement - l'appareil exécute une réinitialisation.	Adoptez une unité d'alimentation d'une puissance suffisante.
	Pertes excessives du câble de branchement.	- Augmenter la section du câble - Réduire la longueur du câble.
La LED "LIMIT (y)" s'allume (seulement avec configuration par défaut)	MFC: La variable réglante de la vanne atteint presque 100 % - la valeur de consigne ne peut pas être atteinte.	- Augmenter la pression d'alimentation. - Contrôler et si nécessaire réduire la résistance des lignes. - Contrôler la configuration de l'installation (voir chapitre <i>Vanne proportionnelle</i>)
	MFM: La variable instantanée est proche du débit nominal	
La LED "LIMIT (y)" clignote (seulement avec configuration par défaut)	Autre mode opérationnel que la régulation normale, ou Autotune.	Voir le chapitre <i>Modes opérationnels</i>
La LED "ERROR" s'allume	Apparition d'un défaut moins grave: - Dernier Autotune achevé sans succès. - Détection d'un défaut sur une DEL.	- Reprendre l'autotune ou annuler l'erreur par une réinitialisation. - En cas de défaut de la LED ou de la sortie binaire, une exploitation réduite peut être poursuivie.
La LED "ERROR" clignote	L'ondulation résiduelle de la tension d'alimentation est trop élevée.	Sélectionner une source de tension appropriée (pas de tension continue technique).
	Erreur critique, par ex. défaillance du capteur ou défaut interne de l'alimentation	Renvoyer l'appareil au fabricant pour révision
Pas de débit	Valeur de consigne inférieure au déclenchement de point zéro.	Augmenter la valeur de consigne à $> 2 \% \text{ de } Q_{\text{nenn}}$.
	Autre mode opérationnel	Vérifier le mode opérationnel.

La suite du tableau voir une page suivante

Problème	Cause probable	Correction
Fluctuation de la variable instantanée	Pas de connexion à la terre (FE) satisfaisante	Connecter la borne FE à un point de terre (liaison courte, section min. 2,5 mm ²).
	Le régulateur doit continuellement corriger une pression d'alimentation instable.	Brancher un manodétendeur approprié en amont.
	L'ondulation résiduelle de la tension d'alimentation est trop élevée.	Sélectionner une source de tension appropriée.
Le régulateur tend à osciller	La pression de service est largement supérieure à celle avec laquelle le dernier Autotune a été exécuté.	Exécuter un Autotune pour adapter le régulateur aux conditions de service actuelles.
	Les paramètres de régulation ne correspondent pas au comportement du système réglé.	Adapter la dynamique de régulation à l'aide du logiciel PC MassFlowCommunicator.
	Un autre fluide que celui utilisé pour l'étalonnage est adopté.	Renvoyer l'appareil au fabricant pour un réétalonnage avec le gaz de service.
	L'ondulation résiduelle de la tension d'alimentation est trop élevée.	Sélectionner une source de tension appropriée.
Valeur de consigne $w = 0$, mais débit présent après quelques secondes	Pression de service supérieure à la pression d'étanchéité de la vanne proportionnelle.	Réduire la pression de service.
Valeur de consigne $w = 0$, vanne fermée, aucun débit mais sortie de variable instantanée représentant un faible débit.	Pression de service sensiblement plus élevée que la pression d'étalonnage, (→ Convexion propre accrue, seulement sur 8716 et 8626)	Exécuter un Autotune pour adapter le régulateur aux conditions de service actuelles.
	Position de montage erronées (→ Convexion propre accrue, seulement sur 8716 et 8626)	Monter le MFC à la position spécifiée pour l'étalonnage ou exécuter un Autotune pour adapter le régulateur aux conditions de service actuelles.
	Utilisation d'un autre fluide que celui spécifié pour l'étalonnage.	Renvoyer l'appareil au fabricant pour un réétalonnage avec le gaz de service.
Forte suroscillation du régulateur en cas de saut de consigne à partir de 0 %.	Lors du montage d'un robinet d'arrêt supplémentaire, la séquence de commande n'est pas observée.	Voir le chapitre <i>Exploitation avec robinet d'arrêt supplémentaire</i> .
Lors de la commande d'une flamme, celle-ci s'éteint après un saut de consigne.	Une concentration trop forte du fluide soutire l'oxygène nécessaire à la flamme.	Activer la fonction de rampe à l'aide du logiciel PC MassFlowCommunicator.

ANNEXE A: ACCESSOIRES (ELECTRIQUES)

MAN 1000011173 ML Version: L Status: PL (released | freigegeben) printed: 14.12.2009

Types	Article	N° de commande
8626 / 8006 8712 / 8702 8716 / 8706	Fiche ronde 8 pôle (connexion soudée)	918299
	Fiche ronde 8 pôle avec 5 m de câble, confectionné d'un côté	787733
	Fiche ronde 8 pôle avec 10 m de câble, confectionné d'un côté	787734
	Fiche SUB-HD 15 pôle avec 5 m de câble, confectionné d'un côté	787735
	Fiche SUB-HD 15 pôle avec 10 m de câble; confectionné d'un côté	787736
	Adaptateur RS232 pour raccordement d'un PC avec un câble rallonge (n° de commande 917039)	654757
	Adaptateur de raccordement (DB9/m-DB15HD/m) pour remplacement d'un appareil type 8626/8006 (avant année 2003) par un type plus récent (dès année 2003) → pas de protection IP 65	787923
8710 / 8700 8711 / 8701	Prise SUB-D 15 pôle, connexion soudée	918274
	Couvercle SUB-D pour prise SUB-D 15 pôle avec verrouillage à vis	918408
	Prise SUB-D 15 pôle avec 5 m de câble, confectionné d'un côté	787737
	Prise SUB-D 15 pôle avec 10 m de câble, confectionné d'un côté	787738
	Adaptateur RS232 pour raccordement d'un PC avec un câble rallonge (n° de commande 917039)	654748
tous les types	Câble rallonge 2 m pour fiche/prise RS232 9 pôle	917039
	Logiciel de communication (MassFlowCommunicator)	infos sous www.buerkert.com
8713 / 8703	Adaptateur RS232 pour le raccordement d'un PC à associer avec un câble prolongateur	667 530
	Connecteur SUB-D, 9 pôles (connecteur à souder)	917 623

ANNEXE B: ACCESSOIRES (FLUIDIQUES)

En principe, nous ne livrons de raccords à visser qu'avec des filetages en pouces; en conséquence, nous utilisons des brides avec filetages de vis en pouces.

Du côté tube, vous pouvez commander aussi bien des dimensions métriques qu'anglaises. Sur demande, nous sommes en mesure de livrer des exécutions en laiton.

Filetage de vis selon DIN ISO 228/1	Ø tube	Matière	N° de commande	N° commande bague d'étanchéité
G 1/4"	6 mm	VA	901538	901575
G 1/4"	8 mm	VA	901540	901575
G 3/8"	8 mm	VA	901542	901576
G 3/8"	10 mm	VA	901544	901576
G 1/2"	10 mm	VA	901546	901577
G 1/2"	12 mm	VA	901548	901577
G 3/4"	12 mm	VA	901549	901578
G 1/4"	1/4"	VA	901551	901579
G 1/4"	3/8"	VA	901553	901579
G 3/8"	3/8"	VA	901555	901580
G 3/8"	1/2"	VA	901556	901580
G 1/2"	1/2"	VA	901557	901581
G 1/2"	3/4"	VA	901558	901581
G 3/4"	3/4"	VA	901559	901582

Brides sur demande

ATTENTION!

Une bague d'étanchéité doit être commandée avec chaque raccord.

Vous trouverez d'autres accessoires pour le raccordement fluide des MFC/MFM sous le type 1013 du catalogue d'accessoires Bürkert.

Pièces de rechange

Désignation	N° de commande
Grille en acier inoxydable* pour 8626 / 8606 / 8716 / 8706 (boîtier standard)	646808
Grille en acier inoxydable* pour 8626 / 8006 / 8716 / 8700 (boîtier pour gros débits)	651694
Grille en acier inoxydable* pour 8710 / 8700 8711 / 8701 / 8712 / 8702 / 8713 / 8703	654733
Grille en acier inoxydable** pour 8710 / 8700 8711 / 8712 / 8713	667520

* Mailles: 250 µm, ** Mailles: 20 µm

ANNEXE C: MassFlowCommunicator (LOGICIEL PC)

Le programme PC MassFlowCommunicator est conçu pour la communication avec des appareils de la famille MassFlowCommunicator de la société Bürkert. Il sert à la configuration et au paramétrage. Une fonction de diagnostic est en outre disponible.

- Diagnostic Data

Cette fonction indique par exemple la valeurs de la tension ou de la température internes à l'appareil.

- Device Settings

Permet l'affichage ou la configuration de l'état actuel de l'appareil.

- Monitoring

Aperçu de tous les appareils raccordés (les valeurs de consigne peuvent être également prédéfinies ici via le PC raccordé).

- Datalogger

Il enregistre les process sur de longues périodes (jours/semaines).

- Dynamic Reading

Enregistre en temps réel les paramètres valeur de consigne (w), valeur mesurée (x) et grandeur de réglage (y_2) et les représente graphiquement. Les données enregistrées donnent des informations sur le système et ses composants. Ces enregistrements permettent d'analyser des anomalies dues au système. L'enregistrement des paramètres peut alors être mémorisé sous forme de fichier Windows et envoyé par e-mail au technicien de service après-vente de Bürkert.

Le MassFlowCommunicator permet la réalisation de mise à jour flash dans le MassFlowController / MassFlowMeter.

**REMARQUE**

Le programme fonctionne sous le système d'exploitation Windows (à partir de Windows 98) et nécessite une interface série (RS 232 ou RS 485) pour la communication avec les contrôleurs de débit massique ou les débitmètres massiques.

**ATTENTION!**

Les types 8710 / 8700 / 8711 / 8701 nécessitent un adaptateur à pilote d'interface. Le pilote d'interface est intégré dans l'interface RS 485 sur les types 8713 / 8703, la communication via RS 485 nécessite un adaptateur à pilote d'interface (voir les accessoires en annexe A). Un adaptateur est également disponible pour faciliter l'adaptation des types 8626 / 8006, 8712 / 8702 et 8716 / 8706 (voir les accessoires en annexe A).

Vous trouverez une description détaillée et un mode opératoire précis pour l'utilisation du logiciel du MassFlowCommunicator dans la documentation du logiciel contenue dans la fonction d'aide du programme.

Téléchargement du logiciel sous :: www.buerkert.com

REMARQUE | | La version la plus récente du MassFlowCommunicator est toujours disponible par la fonction de téléchargement.

Documentation

L'ensemble de la documentation est disponible à des fins de téléchargement sur Internet à l'adresse suivante www.buerkert.com, ainsi que sur le CD contenant les consignes d'utilisation.



Contact addresses / Kontaktadressen

Germany / Deutschland / Allemagne

Bürkert Fluid Control System
Sales Centre
Chr.-Bürkert-Str. 13-17
D-74653 Ingelfingen
Tel. + 49 (0) 7940 - 10 91 111
Fax + 49 (0) 7940 - 10 91 448
E-mail: info@de.buerkert.com

International

Contact addresses can be found on the internet at:

Die Kontaktadressen finden Sie im Internet unter:

Les adresses se trouvent sur internet sous :

www.burkert.com → Bürkert → Company → Locations

MAN 1000011173 ML Version: L Status: RL (released | freigegeben) printed: 14.12.2009

The smart choice
of Fluid Control Systems
www.buerkert.com

bürkert
Fluid Control Systems