

# FINE CONTROLS (UK) LTD



Fine Controls have been supplying process controls & instrumentation equipment since 1994, & now serves an ever expanding customer base, both in the UK & globally.

We offer a full range of valve & instrumentation products & services, with our product range representing leading technologies & brands:

**Flow:** Flow Meters & Transmitters, Flow Switches, Flow Control Valves & Batch Control Systems

**Temperature:** Temperature Probes & Thermowells, Temperature transmitters, Temperature Regulators & Temperature Displays

**Level:** Level Transmitters & Switches

**Pressure:** Pressure Gauges & Transmitters, Precision & High Pressure Regulators & I-P Converters, Volume boosters.

**Precision Pneumatics:** Pressure Regulators, I-P Converters, Volume Boosters, Vacuum Regulators

**Valves:** Solenoid & Pneumatic Valves, Control Valves & Positioners, Actuated Ball, Globe or Diaphragm Valves & Isolation Valves

**Services:** Repair, Calibration, Panel Build, System Design & Commissioning

A rotork® Brand  
**FAIRCHILD**



**bürkert**



**SIEMENS**



**alcon**  
SOLENOID VALVES

A rotork® Brand



**MIDLAND-ACS**  
A rotork® Brand



**Honeywell**



**Bourdon**  
Baumer Group



**SOLDO**  
CONTROLS

A rotork® Brand



Fine Controls (UK) LTD, Bassendale Road, Croft Business Park,  
Bromborough, Wirral, CH62 3QL UK  
Tel: 0151 343 9966  
Email: sales@finecontrols.com

## Universal process controller eCONTROL



- Continuous, 2-point, 3-point and On/Off control
- Ratio control function
- Sensor inputs (4-20 mA, 0-10 V, frequency, RDT)
- Control of proportional, process and motor valves
- Bürkert proportional valves and flow meters are memorized
- 1/16 DIN size panel version

Type 8611 can be combined with...



**Type 6223**

Proportional Valve



**Type 2301+8696**

Globe control valve system



**Type 8012**

INLINE flow sensor



**Type 8314**

Pressure transmitter  
4-20 mA



**Type 8417**

RTD sensor



**Type 8222**

neutrino transmitter

Thanks to its compact design, the universal 8611 controller is especially designed for compact control system applications.


It is compatible and tested with all Bürkert proportional valves and sensors and can be connected with every none-Bürkert Control valve by standard signal (4-20 mA, 0-10 V or PWM-output). The proportional & Integral (PI) process controller is equipped with many additional functions. The process value feedback can be supplied as one of three analog inputs; a standard signal (4-20 mA/0-10V), frequency or RTD signal; directly to the universal controller.

The process switching points can be set via a 4-20 mA or 0-10 V signal or with the keypad. For temperature specific control, it is possible to set a cascade structure with both temperature and flow as inputs.

Thanks to the proportional control capabilities, a wide range of control functions can be performed in a variety of liquids and gas medias.

### Fields of application:

- ▶ Flow control, Ratio control
- ▶ Pressure control
- ▶ Temperature control
- ▶ Conductivity control
- ▶ pH control
- ▶ Level control

General data	
<b>Materials</b>	
Housing, cover	PC, +20% glass fibre
Front panel folio / Screws	Polyester / Stainless steel
Multipin	CuZn, nickel-plated
Wall-mounting holder	PVC
<b>Display</b>	Dual-line 8-digit LCD with backlight
<b>Electrical connections</b>	Multipin: M12-8pin, M8-4pin, M8-3pin Insert for connecting to components according to DIN EN 175301-803 (previously DIN 43650, Form A).
<b>Voltage supply cable</b>	0.5 mm <sup>2</sup> max. cross section, max. 100 m, shielded
Environment	
<b>Ambient temperature</b>	0°C up to +70°C (operating and storage)
<b>Relative humidity</b>	≤ 80%, without condensation
Standards and approvals	
<b>Protection class</b>	IP65
<b>Standard</b>	EN 61326
<b>EMC, CE</b>	
<b>Approvals</b>	61010-1 + CAN/CSA-C22 No.61010-1
UL-Recognized for US and Canada 	

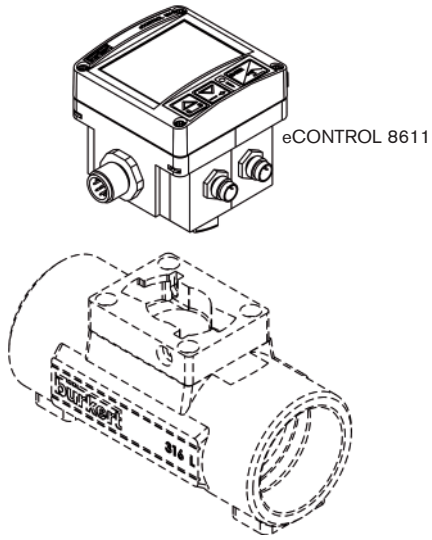
Electrical data	
<b>Power supply</b>	24 V DC $\pm$ 10%, filtered and regulated
<b>Power consumption</b>	approx. 2 W (without valve - without sensor input)
<b>Input</b>	
Setpoint	
Standard 4-20 mA	Sourcing mode Max. input impedance: 70 $\Omega$ Resolution: 5.5 $\mu$ A
Standard 0-10 V	Max. input impedance: 11.5 k $\Omega$ Resolution: 2.5 mV
Sensors	
Standard 4-20 mA	Sourcing mode Max. input impedance: 70 $\Omega$ Resolution: 5.5 $\mu$ A
Standard 0-10 V	Max. input impedance: 11.5 k $\Omega$ Resolution: 2.5 mV
Frequency	
Input 1	External sensor min. 0.25 Hz / max. 1 kHz input impedance: >1 k $\Omega$ Signal type: Sinus, square, triangle pulse (> 3000 mVpp, max. 30 Vpp)
Input 2	Internal Hall sensor min. 0.25 Hz / max. 1 kHz (only with Bürkert Type S030 flow fitting)
Pt100 (2 wires)	Measuring range: 0°C...200°C Measuring current: 1 mA Measuring error: <0.5°C
Binary input	Input impedance: 10 k $\Omega$ Operating threshold: 3 V-30 V Max. frequency: 1 kHz
<b>Outputs</b>	
Continuous signal	Standard signal 4-20 mA max. loop resistance: 680 $\Omega$ accuracy: 0.5% Standard signal 0-10 V max. current: 20 mA accuracy: 0.5%
Discontinuous signal	2 transistor outputs for PWM <sup>*)</sup> or PTM <sup>*)</sup> signal Control frequency 1.2 kHz-20 Hz resolution max.: 16 Bit (depend from frequency) max. current load: 1.5 A switching voltage: 24 V DC
Binary output	Transistor output (PNP) (configurable) max. current load: 1.5 A switching voltage: 24 V DC
Power supply sensor / actuator	24 V DC, max. 1 A
Total load of all outputs	max. 1.5 A
<b>Controller modes</b>	PI-Control, 2 point and 3 point, cascaded Up to 2 Binary out with windows and hysteresis mode

<sup>\*)</sup>PWM = pulse width modulation

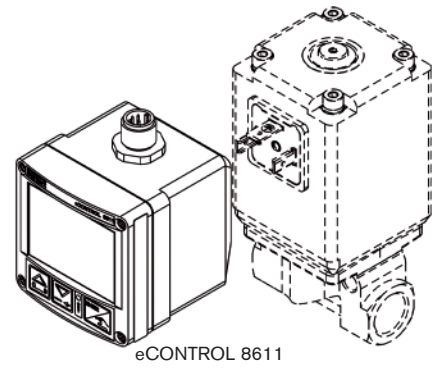
PTM = pulse time modulation

Assembly versions

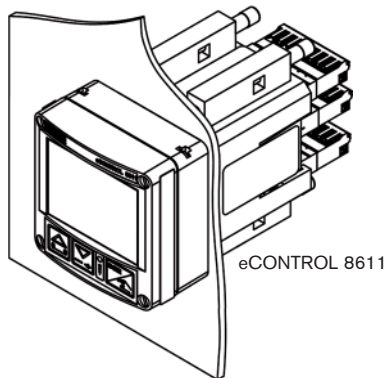
**Mounting on flow-fitting**  
*eCONTROL Fitting-mounting*



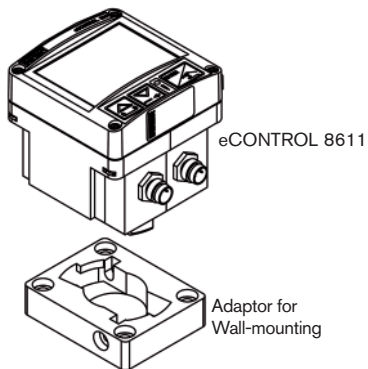
**Mounting on a proportional valve**  
*eCONTROL Valve-mounting*



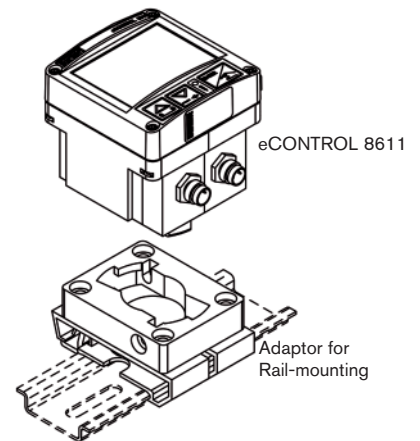
**Mounting in panel**  
*eCONTROL Panel-mounting*



**Mounting on a wall**  
*eCONTROL Wall-mounting*

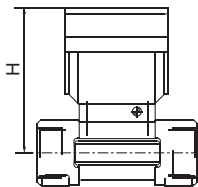
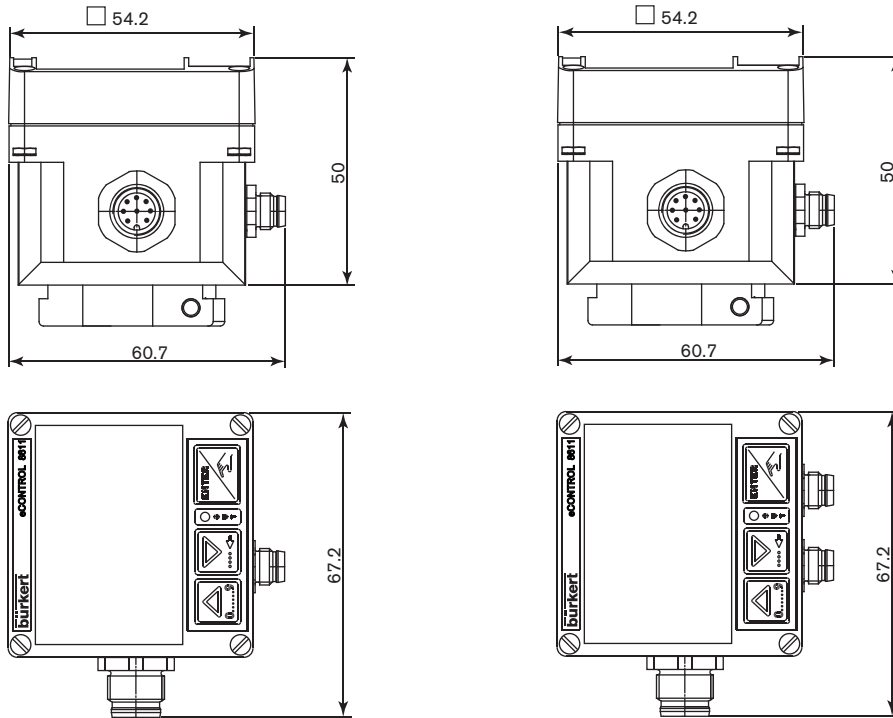


**Mounting on a rail**  
*eCONTROL Rail-mounting*



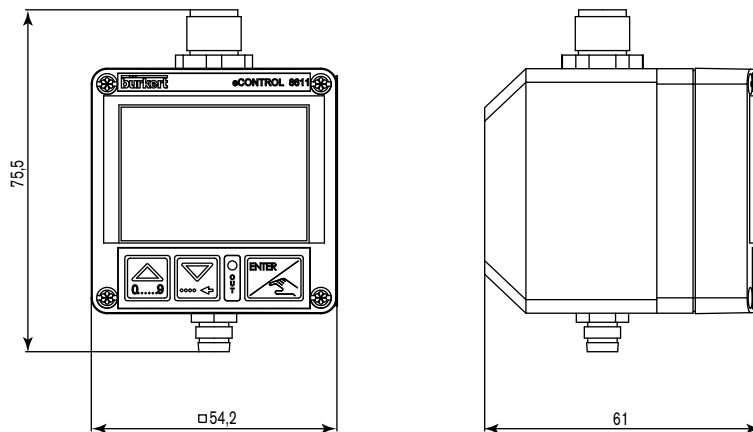
Dimensions [mm]

8611 - eCONTROL Fitting-mounting



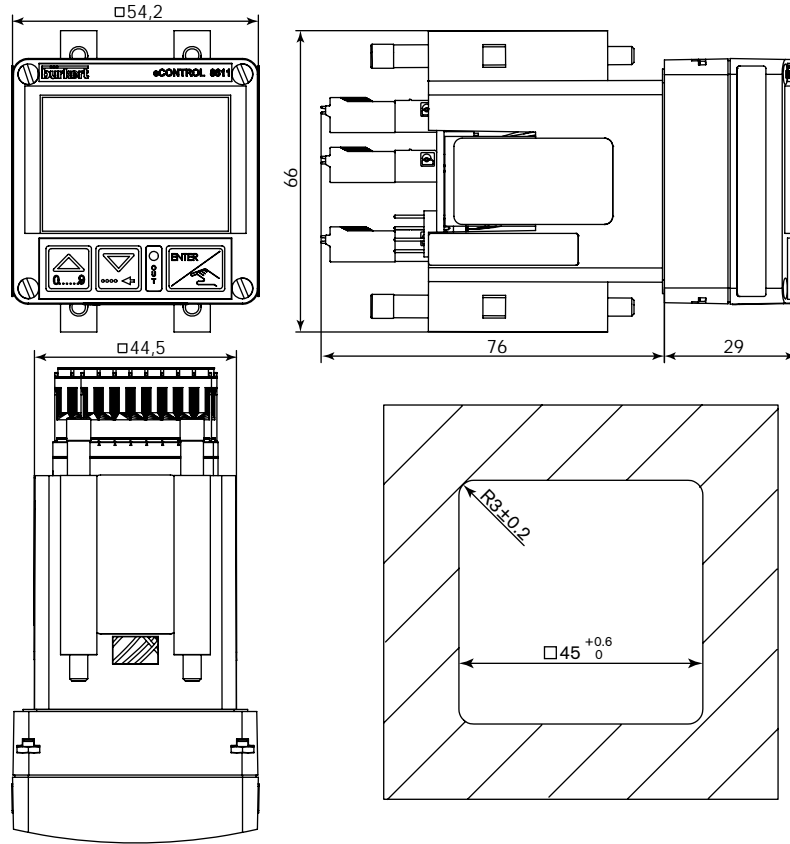
DN [mm]	H [mm]
06	79.5
08	79.5
15	84.5
20	82.0
25	82.2
32	85.8
40	89.6
50	95.7
65	98.7

8611 eCONTROL Valve-mounting

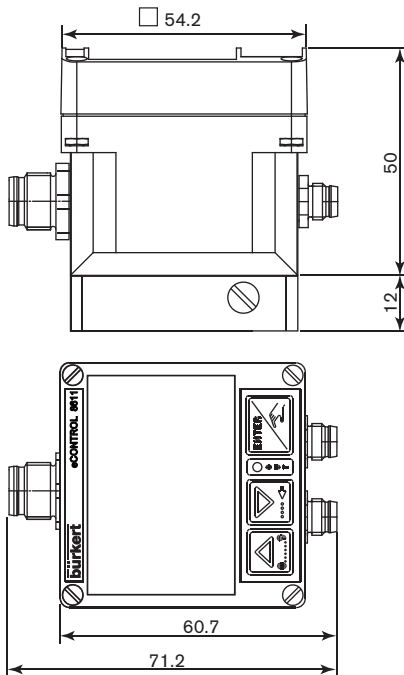


Dimensions [mm] (continued)

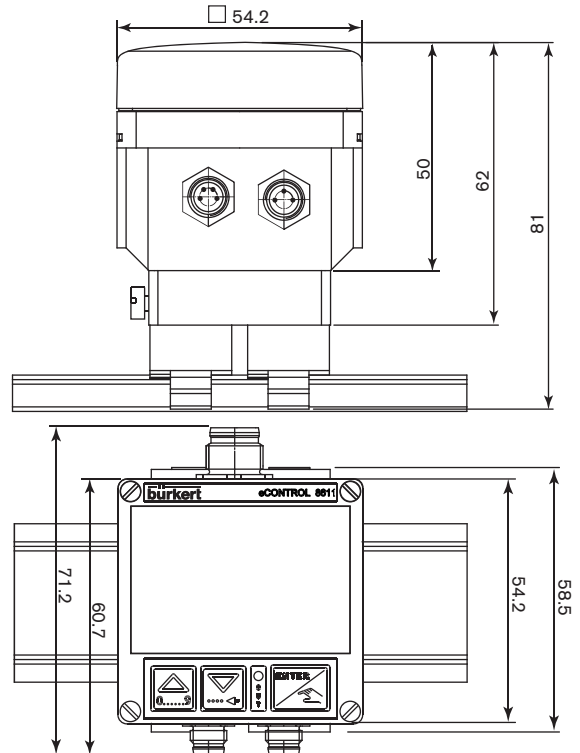
8611 eCONTROL Panel-mounting



8611 eCONTROL Wall-mounting

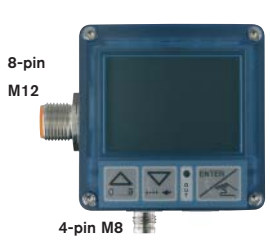
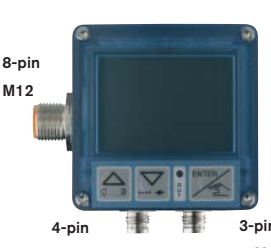
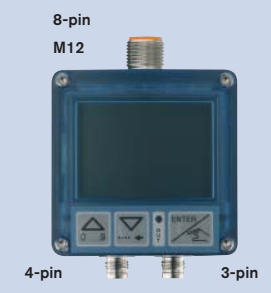



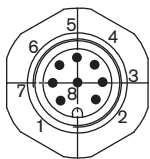
8611 eCONTROL Rail-mounting





Connection feasibility and controller versions

Assembly	Flow sensor fitting mounting		Wall- and rail-mounting	Valve-mounting
<b>Sensor</b>	integrated HALL-sensor, without external sensor input	integrated HALL-sensor with external sensor input	without HALL-sensor, with external sensor input	without HALL-sensor, with external sensor input
<b>Control</b>	<ul style="list-style-type: none"> <li>Flow control</li> </ul>	<ul style="list-style-type: none"> <li>Temperature control with flow display</li> <li>Temperature control with flow input for cascade control</li> <li>Ratio control</li> </ul>	<ul style="list-style-type: none"> <li>Temperature control</li> <li>Pressure control</li> <li>Flow control</li> </ul>	<ul style="list-style-type: none"> <li>Temperature control</li> <li>Pressure control</li> <li>Flow control</li> </ul>
	 <p>8-pin M12 4-pin M8</p>	 <p>8-pin M12 4-pin M8 3-pin M8</p>	 <p>8-pin M12 4-pin M8 3-pin M8</p>	 <p>8-pin M12 3-pin M8</p>



**8-pin M12 plug**

- Power supply 24 V DC
- Set point value (0-10 V / 4-20 mA)
- Binary input
- process value output (0-10 V / 4-20 mA)
- PI-control output (0-10 V / 4-20 mA)
- Binary output



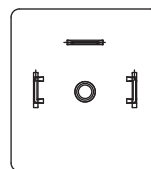
**3-pin M8 plug**

- Sensor input
- 4-20 mA / 0-10 V, frequency or RDT
- Sensor power supply 24 V DC



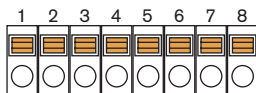
**4-pin M8 plug**

- PI-control output :
- 1 x PWM output
  - 2 x PTM output
  - 0-10 V/4-20 mA output and power supply actuator 24 V DC (only Item no. 182 383)

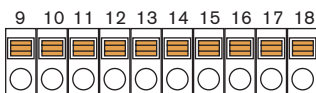


**DIN 175301-803**

- PWM output for Solenoid control valve



Terminal block 1



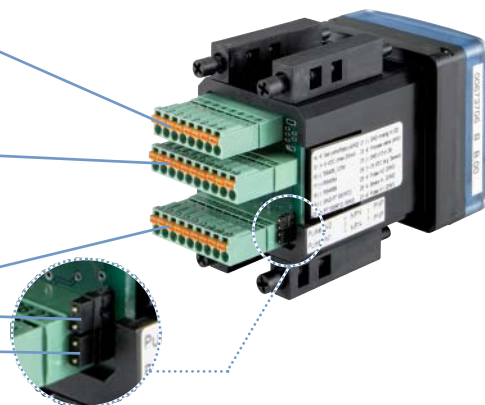
Terminal block 2



Terminal block 3

Jumper 1 (NPN/PNP)

Jumper 2 (NPN/PNP)



Ordering chart for universal Controller Type 8611

A controller Type 8611 consists of:

**for Fitting-mounting**

- an electronic module 8611
- an INLINE fitting S030

(DN06 - DN65)

(Refer to corresponding data sheet

- has to be ordered separately)

**for Wall-mounting**

- an electronic module 8611
- a wall-mounting adaptor

(included)

**for Rail-mounting**

- an electronic module 8611
- a rail-mounted adaptor

(included)

**for Valve-mounting**

- an electronic module 8611
- a proportional valve




(Refer to corresponding data


sheet of the proportional valve -



has to be ordered separately)

**for Panel-mounting**

- an electronic module 8611
- 4 mounting brackets and 1 sealing (included)

Mounting disposition	Sensor input		controller outputs (*)		Power supply	Setpoint setting	Process value output	Binary In/Out	Item no.
	externe	interne							
 Fitting	-	Flow rate (Fitting S030)	1 x PWM 2 x PTM	4-20 mA 0-10 V	24 V DC	4-20 mA 0-10 V	4 -20 mA (*) 0-10 V	1 x Bin In 1 x Bin Out	177 455
	Temperature (RDT)	Flow rate (Fitting S030)	1 x PWM 2 x PTM	4-20 mA 0-10 V	24 V DC	4-20 mA 0-10 V	4 -20 mA (*) 0-10 V	1 x Bin In 1 x Bin Out	177 458
	Ratio or Temp. (4-20 mA / 0-10 V)	Flow rate (Fitting S030)	1 x PWM 2 x PTM	4-20 mA 0-10 V	24 V DC	4-20 mA 0-10 V	4 -20 mA (*) 0-10 V	1 x Bin In 1 x Bin Out	177 463
	Ratio (Frequency-NPN)	Flow rate (Fitting S030)	1 x PWM 2 x PTM	4-20 mA 0-10 V	24 V DC	4-20 mA 0-10 V	4 -20 mA (*) 0-10 V	1 x Bin In 1 x Bin Out	208 048
 Wall	Flow rate (frequency- NPN)	-	1 x PWM 2 x PTM	4-20 mA 0-10 V	24 V DC	4-20 mA 0-10 V	4 -20 mA (*) 0-10 V	1 x Bin In 1 x Bin Out	177 454
	Temperature (RDT)	-	1 x PWM 2 x PTM	4-20 mA 0-10 V	24 V DC	4-20 mA 0-10 V	4 -20 mA (*) 0-10 V	1 x Bin In 1 x Bin Out	177 457
	All sensors with standard signal (4-20 mA / 0-10 V)	-	1 x PWM 2 x PTM	4-20 mA 0-10 V	24 V DC	4-20 mA 0-10 V	4 -20 mA (*) 0-10 V	1 x Bin In 1 x Bin Out	177 462
	All sensors with standard signal (4-20 mA / 0-10 V)	-	4-20 mA 0-10 V	-	24 V DC	4-20 mA 0-10 V	-	1 x Bin In 1 x Bin Out	182 383
 Rail	Flow rate (frequency- NPN)	-	1 x PWM 2 x PTM	4-20 mA 0-10 V	24 V DC	4-20 mA 0-10 V	4 -20 mA (*) 0-10 V	1 x Bin In 1 x Bin Out	177 091
	Temperature (RDT)	-	1 x PWM 2 x PTM	4-20 mA 0-10 V	24 V DC	4-20 mA 0-10 V	4 -20 mA (*) 0-10 V	1 x Bin In 1 x Bin Out	177 456
	All sensors with standard signal (4-20 mA / 0-10 V)	-	1 x PWM 2 x PTM	4-20 mA 0-10 V	24 V DC	4-20 mA 0-10 V	4 -20 mA (*) 0-10 V	1 x Bin In 1 x Bin Out	177 460










Mounting disposition	Sensor input		controller outputs	Setpoint setting	Process value output	Binary In/Out	Item no.
	externe						
 Proportional valve	Temperature (Pt100)		1 x PWM	4-20 mA 0-10 V	4-20 mA 0-10 V	1 x Bin In 1 x Bin Out	204 642
	Flow rate (frequency- NPN)		1 x PWM	4-20 mA 0-10 V	4-20 mA 0-10 V	1 x Bin In 1 x Bin Out	204 639
	All sensors with standard signal (4-20 mA / 0-10 V)		1 x PWM	4-20 mA 0-10 V	4-20 mA 0-10 V	1 x Bin In 1 x Bin Out	186 289

Mounting disposition	Sensor input	controller outputs	Setpoint setting	Process value output	Binary In/Out	UL Rec-ognition	Item no.
						No	
 Panel	2 x Frequency (NPN/PNP) 1 x 4-20 mA / 0-10 V 1 x RTD	1 x PWM 2 x PTM 1 x 4-20 mA/0-10 V	4-20 mA 0-10 V	4 -20 mA (*) 0-10 V	1 x Bin In 2 x Bin Out		210 206
						 UL-Recognized	562 655

\* Either PWM/PTM or 4-20 mA/0-10 V selectable as PI-control output. If 4-20 mA/0-10 V selected as PI-output, the process value isn't available.



**Ordering chart for accessories** (has to be ordered separately)

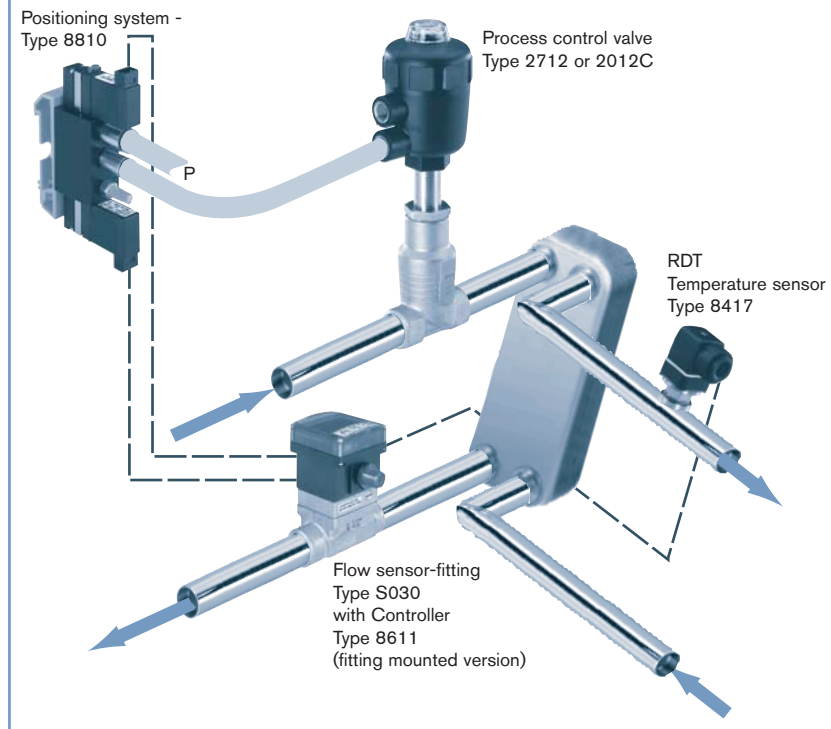
	Description	Item no.
	Positioning system 8810 for pneumatic actuators with rail-mount adaptor	204 458
	4-pin M8 female right angle connector with self-locking threaded joint and 2 m molded cable (valve output)	918 718
	4-pin M8 female right angle connector with self-locking threaded joint and 5 m molded cable (valve output)	919 412
	3-pin M8 female right angle connector with self-locking threaded joint and 2 m molded cable (sensor input)	918 717
	3-pin M8 female right angle connector with self-locking threaded joint and 5 m molded cable (sensor input)	919 410
	4-pin M8 female connector, straight with snap-on connection and 2 m molded cable (valve output)	919 060
	3-pin M8 female connector, straight with snap-on connection and 2 m molded cable (sensor input)	918 039
	8-pin M12 female connector, straight with screw connection and 2 m molded cable (PUR) (Power supply)	919 061
	8-pin M12 female connector, straight with screw connection, to assemble (Power supply)	918 998

**Ordering chart for spare parts** (has to be ordered separately)

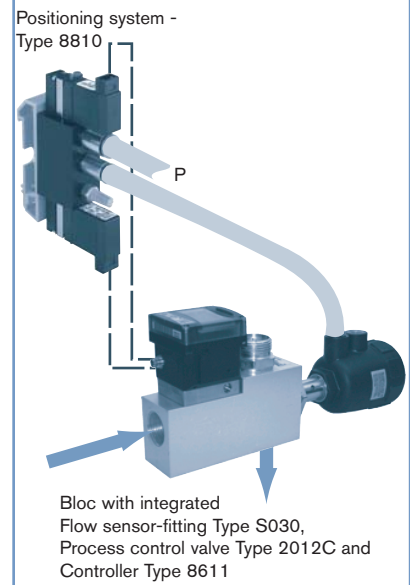
	Description	Item no.
	Wall-mounting adaptor	427 098
	Rail-mounting adaptor	655 980
	Mounting brackets (Set of 4 pieces)	560 225

Examples of applications

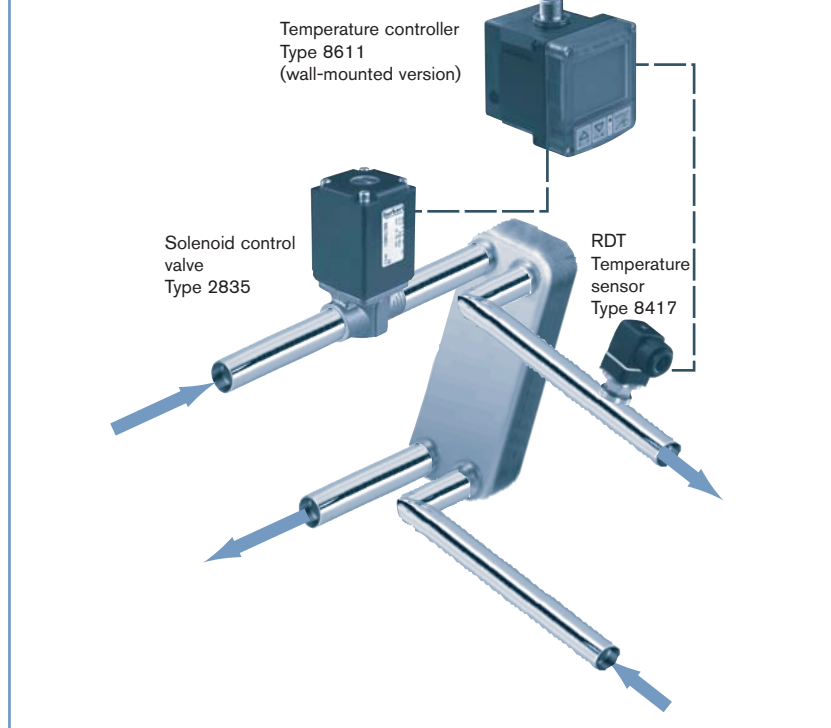
Cascaded temperature control with process control valve



Flow control with process control valve



Temperature control with solenoid control valve



Multi channel solution with process control valve



with solenoid control valve



\*To find your nearest Bürkert facility, click on the orange box → [www.burkert.com](http://www.burkert.com)

In case of special application conditions, please consult for advice.

Subject to alteration.  
© Christian Bürkert GmbH & Co. KG

1102/10\_EU-en\_00895018