

FINE CONTROLS (UK) LTD



Fine Controls have been supplying process controls & instrumentation equipment since 1994, & now serves an ever expanding customer base, both in the UK & globally.

We offer a full range of valve & instrumentation products & services, with our product range representing leading technologies & brands:

Flow: Flow Meters & Transmitters, Flow Switches, Flow Control Valves & Batch Control Systems

Temperature: Temperature Probes & Thermowells, Temperature transmitters, Temperature Regulators & Temperature Displays

Level: Level Transmitters & Switches

Pressure: Pressure Gauges & Transmitters, Precision & High Pressure Regulators & I-P Converters, Volume boosters.

Precision Pneumatics: Pressure Regulators, I-P Converters, Volume Boosters, Vacuum Regulators

Valves: Solenoid & Pneumatic Valves, Control Valves & Positioners, Actuated Ball, Globe or Diaphragm Valves & Isolation Valves

Services: Repair, Calibration, Panel Build, System Design & Commissioning

A rotork® Brand
FAIRCHILD



bürkert



SIEMENS



alcon
SOLENOID VALVES

A rotork® Brand



MIDLAND-ACS
A rotork® Brand



Honeywell



Bourdon
Baumer Group



SOLDO
CONTROLS

A rotork® Brand



Fine Controls (UK) LTD, Bassendale Road, Croft Business Park,
Bromborough, Wirral, CH62 3QL UK
Tel: 0151 343 9966
Email: sales@finecontrols.com

Type 8081

Water flow rate transmitter
Wasser-Durchfluss-Transmitter
Transmetteur de débit d'eau



Operating Instructions

Bedienungsanleitung
Manuel utilisateur

We reserve the right to make technical changes without notice.
Technische Änderungen vorbehalten.
Sous réserve de modifications techniques.

© 2008 Bürkert S.A.S

Operating Instructions Jul2009/1_EU-ML_00560456

EG-Konformitäts- Erklärung

Wir erklären in alleiniger Verantwortung, dass die mit CE gekennzeichneten Produkte

Typ: 8081

Beschreibung:
**Durchfluss Transmitter mit
Ultraschall**

Die grundlegenden Anforderungen der Richtlinien erfüllen

- 2004/108/EG (EMV)
- 97/23/EG (Druck)
Artikel 3§3
- 2002/95/CE (ROHS)
(nur Leiterplatten)

EC Declaration of Conformity

We declare under our sole responsibility, that the CE marked products

Model: 8081

Description:
**Flow transmitter with
ultrasonic waves**

Fulfils the essential requirements of the Directives

- 2004/108/EC (EMC)
- 97/23/EC (pressure)
article 3 §3
- 2002/95/CE (ROHS)
(electronic boards only)

Déclaration de Conformité CE

Nous déclarons sous notre seule responsabilité que les appareils marqués CE

Type : 8081

Description :
**Transmetteur de débit par
ultrasons**

Sont conformes aux exigences essentielles de la directive

- 2004/108/CE (CEM)
- 97/23/CE (pression) :
article 3 §3
- 2002/95/CE (ROHS)
(cartes électroniques)

Die Prüfung der Geräte wurde entsprechend den folgenden Normen durchgeführt:

EN 61000-6-3 ((2004)
EN 61000-6-2 (2005)

The devices have been tested according to the following standards:

EN 61000-6-3 ((2004)
EN 61000-6-2 (2005)

Les appareils ont été vérifiés suivant les normes suivantes :

EN 61000-6-3 ((2004)
EN 61000-6-2 (2005)

Für die Richtlinie 97/23/EG Druck, Das Produkt kann nur in der folgenden Bedingungen verwendet werden (abhängig von dem max Druck , DN der Rohrleitung und der Flüssigkeit)

Typ Flüssigkeit	Bedingungen
Gruppe 1 §1.3.a	Verboten
Gruppe 2 §1.3.a	Ok (PN*DN≤1000)
Gruppe 1 §1.3.b	Verboten
Gruppe 2 §1.3.b	Ok

About the pressure directive 97/23/CE, the device can be used only under the following conditions (depending on the max.pressure, the pipe DN and type of fluid)

Type of fluid	Conditions
Fluid group 1 §1.3.a	Forbidden
Fluid group 2 §1.3.a	Ok (PN*DN≤1000)
Fluid group 1 §1.3.b	Forbidden
Fluid group 2 §1.3.b	Ok

Pour la directive pression 97/23/CE, le produit ne peut être utilisé que dans les cas suivants (en fonction de la pression max, du DN de la conduite et du fluide)

Type de fluide	Conditions
Fluide groupe 1 §1.3.a	Interdit
Fluide groupe 2 §1.3.a	Ok (PN*DN≤1000)
Fluide groupe 1 §1.3.b	Interdit
Fluide groupe 2 §1.3.b	Ok

SAS BÜRKERT

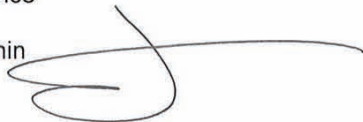
BP 21

67220 Triembach au Val

Triembach au Val, le 03/04/2008

Quality assurance

Bruno Thouvenin



Water flow rate transmitter type 8081

Contents:

1. ABOUT THIS MANUAL	5	6. TECHNICAL DATA	12
1.1. Symbols used.....	5	6.1. Conditions of use.....	12
2. INTENDED USE	6	6.2. Conformity to standards and directives.....	12
2.1. Restraints.....	6	6.3. General technical data.....	13
2.2. Foreseeable misuse.....	6	6.3.1. Mechanical data.....	13
3. BASIC SAFETY INFORMATION	7	6.3.2. General data.....	14
4. GENERAL INFORMATION	8	6.3.3. Electrical characteristics.....	15
4.1. Contents of the delivery.....	8	6.3.4. Electrical connections.....	15
4.2. Warranty conditions.....	8	7. ASSEMBLY	16
4.3. Information on the internet.....	8	7.1. Safety instructions.....	16
5. DESCRIPTION	9	7.2. Assembly of the 8081.....	16
5.1. Area of application.....	9	8. INSTALLATION AND WIRING	17
5.2. General description.....	9	8.1. Safety instructions.....	17
5.2.1. Design.....	9	8.2. Installation onto the pipe.....	17
5.2.2. Measuring item and principle.....	9	8.3. Electrical wiring.....	19
5.3. Description of the label.....	10	8.3.1. Assembly of the female cable plug (order code 438680).....	20
5.4. Order codes.....	11	8.3.2. Wiring of the 5-pin M12 fixed connector.....	20

8.3.3. Connecting the pulse output.....	21
8.3.4. Only connecting the current output.....	21
8.3.5. Connecting both the current and pulse outputs.....	22
9. COMMISSIONING.....	22
9.1. Safety instructions.....	22
10. ADJUSTMENT AND FUNCTIONS.....	23
10.1. Safety instructions.....	23
10.2. Adjustment of the 8081	23
11. MAINTENANCE.....	23
11.1. Safety instructions.....	23
11.2. Cleaning	24
12. PACKAGING, TRANSPORT.....	24
13. STORAGE.....	25
14. DISPOSAL OF THE PRODUCT.....	25

1. ABOUT THIS MANUAL

This manual describes the entire life cycle of the device. Please keep this manual in a safe place, accessible to all users and any new owners.

This manual contains important safety information.

Failure to comply with these instructions can lead to hazardous situations.

- This manual must be read and understood.

1.1. Symbols used



DANGER

Warns you against an imminent danger.

- Failure to observe this warning can result in death or in serious injury.



WARNING

Warns you against a potentially dangerous situation.

- Failure to observe this warning can result in serious injury or even death.



CAUTION

Warns you against a possible risk.

- Failure to observe this warning can result in substantial or minor injuries.

NOTICE

Warns you against material damage.

- Failure to observe this warning can result in damage to the device or system.



indicates additional information, advice or important recommendations for your safety and for the correct operation of the device.



refers to information contained in this manual or in other documents.

→ indicates a procedure to be carried out.

2. INTENDED USE

Use of the ultrasonic flow rate transmitter that does not comply with the instructions could present risks to people, nearby installations and the environment.

- The 8081 transmitter is intended solely for the measurement of the flow rate in water or neutral liquids.
- If possible, avoid placing this device near sources of electromagnetic interference
- This device must be protected against ultraviolet rays and, when installed outdoors, the effects of the climatic conditions.
- This device must be used in compliance with the characteristics and commissioning and use conditions specified in the contractual documents and in the user manual.
- The device can only be used together with devices and components recommended and/or approved by Bürkert.
- Requirements for safe and proper operation are proper transport, storage and installation as well as careful operation and maintenance
- Only use the device as intended.

2.1. Restraints

Observe any existing restraints when the device is exported.

2.2. Foreseeable misuse

- The type 8081 ultrasound flow rate transmitter must not be used in a potentially explosive atmosphere.
- Do not use fluid that is incompatible with the materials of which the transmitter is made.
- Do not subject the device to mechanical loads (e.g. by placing objects on top of it or by using it as a step).
- Do not make any external modifications to the device. Do not paint or varnish any part of the device.

3. BASIC SAFETY INFORMATION

This safety information does not take into account:

- any contingencies or occurrences that may arise during assembly, use and maintenance of the devices.
- the local safety regulations that the operator must ensure the staff in charge of assembly observe.



Danger due to high pressure.

Danger due to high temperatures of the fluid.

Danger due to electrical voltage.



Various dangerous situations

To avoid injury take care to:

- prevent any power supply switch on.
- carry out the installation and maintenance work by qualified and skilled staff with the appropriate tools.
- guarantee a set or controlled restarting of the process, after a power supply interruption.
- use the device only if in perfect working order and in compliance with the instructions provided in the user manual
- observe the general technical rules during the planning and use of the device.

NOTICE

Elements / Components sensitive to electrostatic discharges

- This device contains electronic components sensitive to electrostatic discharges. They can get damaged if they are touched by an electrostatically charged person or object. In the worst case scenario, these components are instantly destroyed or go out of order as soon as they are activated.
- To minimise or even avoid all damage due to an electrostatic discharge, take all the precautions described in the EN 100 015-1 norm.
- Also ensure that you do not touch any of the live electrical components.



The ultrasonic flow rate transmitter type 8081 was developed with due consideration given to accepted safety rules and is state-of-the-art. However, risks may arise.

Failure to observe these instructions as well as any unauthorised work on the device excludes us from any liability and also nullifies the warranty which covers the device and its accessories.

4. GENERAL INFORMATION

4.1. Contents of the delivery

When you receive the merchandise, make sure that the contents of the delivery have not been damaged in any way and ensure that they correspond exactly with the delivery note or packing list.

If this is not the case, contact us immediately.

The addresses of our international branches can be found on the last pages of this manual.

Also on the internet, at:

www.burkert.com → Bürkert → Company → Locations

4.2. Warranty conditions

The condition governing the legal warranty is the conforming use of the 8081 in observance of the operating conditions specified in this manual. The terms and conditions of any warranty are governed by our general terms and conditions of sale.



The legal warranty only covers possible defects in the 8081 flow rate sensor and its components.

Bürkert cannot be held responsible for any losses or damage related to the product, the service, this warranty or other, including financial or intangible losses, the price paid for the product, a loss of profits, revenues, data, enjoyment or use of the product or of any related product, or indirect or fortuitous loss or damage.

In the event of differences in interpretation and understanding of this paragraph 4.2, the French version alone shall prevail.

4.3. Information on the internet

You can find the user manuals and technical data sheets regarding the type 8081 at:

www.burkert.com → Documentation → Datasheets or Manuals/Approvals → Type 8081

The complete manual can be ordered under code: 00560456

5. DESCRIPTION

5.1. Area of application

The ultrasonic flow rate transmitter type 8081 is intended for the measurement of water flow rates which may be slightly charged with contaminants.

5.2. General description

5.2.1. Design

The 8081 ultrasonic flow rate transmitter consists of an electronic module and a brass fitting with a built-in measuring tube. When combined with a controller and a control loop, it enables a control loop to be established.

The electrical connection is made via a 5-pin M12 fixed connector.

The transmitter features, depending on the version:

- a pulse output or
- a pulse output and a 4-20 mA current output;

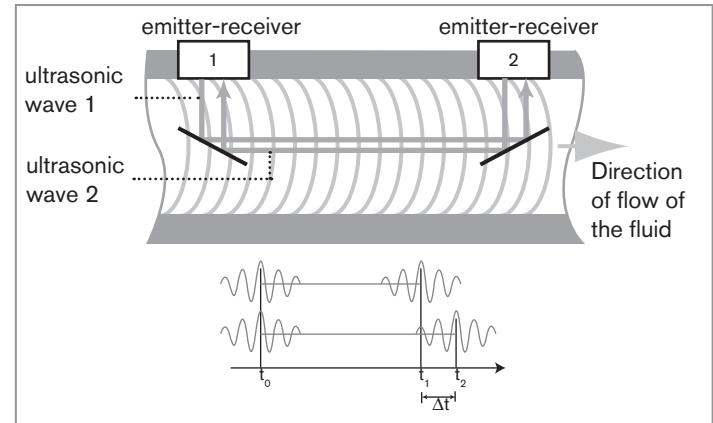
Each version is available for 5 different flow rate ranges:

- model QN 0.6 DN15: 0.06 to 20 l/min
(nominal flow rate 0.6 m³/h namely 10 l/min)
- model QN 1.5 DN15: 0.1 to 50 l/min
(nominal flow rate 1.5 m³/h namely 25 l/min)
- model QN 2.5 DN20: 0.16 to 82 l/min
(nominal flow rate 2.5 m³/h namely 41 l/min)

- model QN 3.5 DN25: 0.6 to 116 l/min
(nominal flow rate 3.5 m³/h namely 58 l/min)
- model QN 6 DN25: 1 to 200 l/min
(nominal flow rate 6 m³/h namely 100 l/min)

5.2.2. Measuring item and principle

The 8081 flow meter is based on the transit time method. This consists in measuring the transit times of the sound from emitter 1 to receiver 2 and from emitter 2 to receiver 1 and subsequently comparing both values. The calculated transit time difference is directly proportional to the flow speed of the fluid.

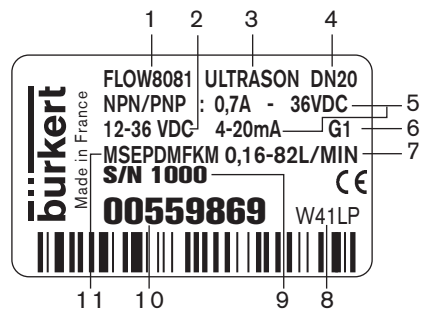


The electronic module then delivers a pulse signal proportional to the volume or an industry-standard 4-20mA signal, proportional to

the flow rate or to the temperature.

5.3. Description of the label

1. Measured quantity, type of flow meter
2. Supply voltage
3. Measuring principle
4. Pipe diameter
5. Output data
6. Process connection
7. Flow rate range
8. Manufacturer's code
9. Serial number
10. Order code
11. Materials: housing, seal



5.4. Order codes

QN	DN	Flow rate range	Connection	Outputs	Ordering codes
0,6	15	0.06 to 20 l/min	G 3/4" external thread	Pulse, NPN	560131
				Pulse, PNP + 4-20 mA, sourcing mode	560113
			NPT 3/4" external thread	Pulse, NPN	560612
				Pulse, PNP + 4-20 mA, sourcing mode	560617
1,5	15	0,1 to 50 l/min	G 3/4" external thread	Pulse, NPN	559865
				Pulse, PNP + 4-20 mA, sourcing mode	559868
			NPT 3/4" external thread	Pulse, NPN	560613
				Pulse, PNP + 4-20 mA, sourcing mode	560618

QN	DN	Flow rate range	Connection	Outputs	Ordering codes
2,5	20	0,16 to 82 l/min	G 1" external thread	Pulse, NPN	559866
				Pulse, PNP + 4-20 mA, sourcing mode	559869
			NPT 1" external thread	Pulse, NPN	560614
				Pulse, PNP + 4-20 mA, sourcing mode	560619
3,5	25	0,6 to 116 l/min	G 1 1/4" external thread	Pulse, NPN	559867
				Pulse, PNP + 4-20 mA, sourcing mode	559870
			NPT 1 1/4" external thread	Pulse, NPN	560615
				Pulse, PNP + 4-20 mA, sourcing mode	560620

QN	DN	Flow rate range	Connection	Outputs	Ordering codes
6	25	1 to 200 l/min	G 1 1/4" external thread	Pulse, NPN	560132
				Pulse, PNP + 4-20 mA, sourcing mode	560114
			NPT 1 1/4" external thread	Pulse, NPN	560616
				Pulse, PNP + 4-20 mA, sourcing mode	560621

6. TECHNICAL DATA

6.1. Conditions of use

Ambient temperature: +5 to +55 °C

Storage temperature: +5 to +55 °C

Air humidity: < 80%, not condensated

Protection rating: IP65 with cable plug plugged-in and tightened

6.2. Conformity to standards and directives

EMC: EN61000-6-3, 61000-6-2

Vibration: EN 60068-2-6

Shock: EN 60068-2-27

Pressure: complying with article 3 of §3 from 97/23/CE directive
For the 97/23/CE pressure directive, the device can only be used in the following cases (depending on max. pressure, pipe diameter and fluid)

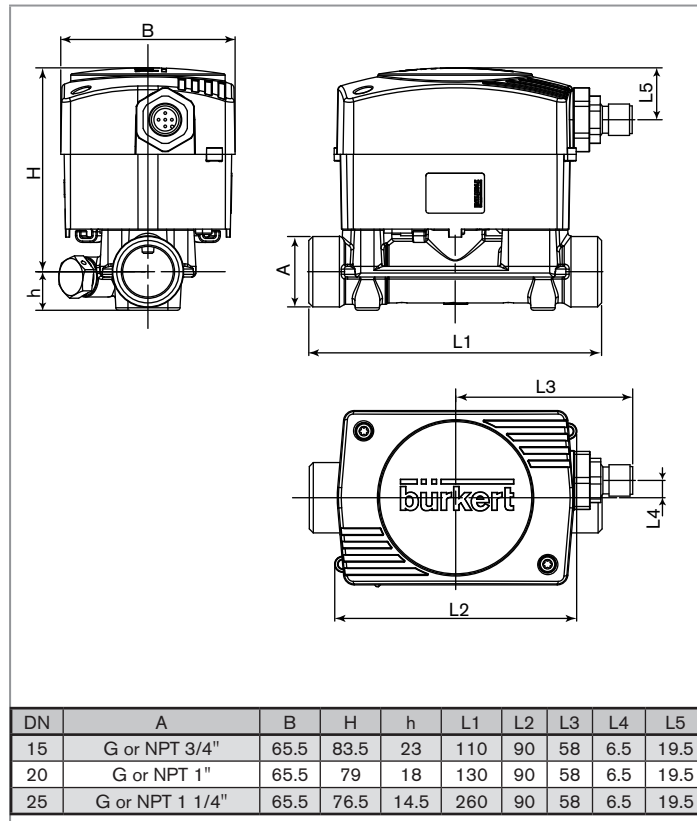
Type of fluid	Conditions
Fluid group 1, §1.3.a	Forbidden
Fluid group 2, §1.3.a	Allowed (PN*DN ≤ 1000)
Fluid group 1, §1.3.b	Forbidden
Fluid group 2, §1.3.b	Allowed

6.3. General technical data

6.3.1. Mechanical data

Item	Material
Housing, cover	PPS
Seal in contact with the environment	Silicone
M12 connector	PA
Fitting	Brass
Measuring tube	PES
Seal in contact with the fluid	EPDM, FKM

Dimensions [mm]



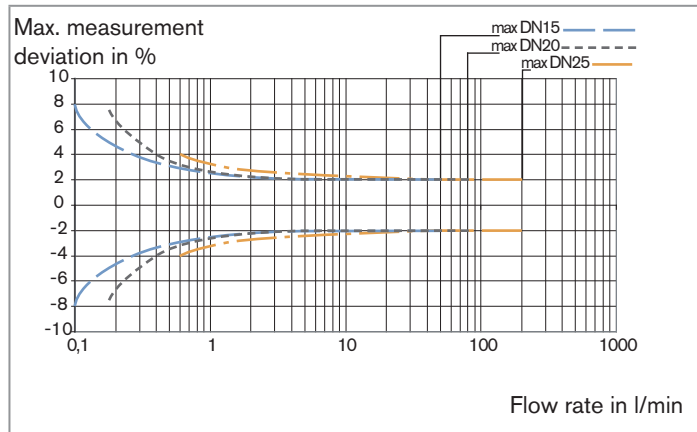
6.3.2. General data

Pipe diameter	DN15 to DN25
Type of fluid	water (or neutral liquids on request)
Fluid temperature	5 to 90°C
Fluid pressure	PN 16
Measuring range	0.06 to 200 l/min
Accuracy (see curves on next page)	$\pm (0.01 \% \text{ of Full Scale}^* + 2\% \text{ of measured value})$ ¹⁾
Repeatability	1% of measured value
Measuring element	2 ultrasound emitter-receiver cells

* Full Scale, see measuring range on the diagram of measurement accuracy.

¹⁾ Reference conditions: fluid = water, water and ambient temperatures = 20°C

Measurement accuracy



6.3.3. Electrical characteristics

Supply voltage (V+)	12-36 VDC
Current consumption	<ul style="list-style-type: none"> ▪ Own consumption: < 4 mA ▪ Consumption with load: < 1A
Pulse output (transistor) <ul style="list-style-type: none"> ▪ version without current output ▪ version with current output 	<ul style="list-style-type: none"> ▪ NPN as default setting; (PNP on request), open collector, 5 mA min., 700 mA max., NPN output: 0,2-36 VDC ▪ PNP as default setting; (on request: NPN for the pulse output and sinking mode for the current output), open collector, 5 mA min., 700 mA max., PNP output: supply voltage (V+) <p>If QN=0.6 or 1.5: 1 pulse corresponds to a volume V = 0.002 l (K factor = 500 pulse/litre)</p> <p>If QN=2.5 or 3.5: 1 pulse corresponds to a volume V = 0.005 l (K factor = 200 pulse/litre)</p> <p>If QN=6: 1 pulse corresponds to a volume V = 0.01 l (K factor = 100 pulse/litre)</p>

Current output	4-20 mA (sourcing mode as default setting; on request: sinking mode for the current output and NPN for the pulse output) corresponding to the flow rate range of the selected model (default setting) or to a temperature range (on request) max. loop resistance : 1100 Ω at 36 V DC 610 Ω at 24 V DC 100 Ω at 12 V DC
Protection against: reversed polarity voltage peaks short-circuits	yes yes yes, for the pulse output
Recommended cable type	max. cross section of 1.5 mm ²

6.3.4. Electrical connections

Flow rate meter version	Type of cable plug
Any version	female 5-pin M12 cable plug (available as an accessory; Order code 438680)

7. ASSEMBLY

7.1. Safety instructions



DANGER

Risk of injury due to high pressure in the installation.

- Cut off the pressure and depressurize the pipes before loosening the pipes and fittings.

Risk of injury due to electrical discharge.

- Before starting work, switch off the power supply and secure it to prevent restarting.
- Observe the applicable accident prevention and safety regulations for electrical equipment.



WARNING

Risk of injury due to non-conforming assembly.

- The device must only be assembled by qualified and skilled staff with the appropriate tools.

Risk of injury due to unintentional switch on of power supply or uncontrolled restarting of the installation.

- Take appropriate measures to avoid unintentional activation of the installation.
- Guarantee a set or controlled restarting of the process subsequent to the assembly of the device.

7.2. Assembly of the 8081

NOTICE

When the cover is removed, the transmitter may be damaged through any element touching the electronics, and the tightness of the transmitter is no longer ensured.

- Do not dismantle the device

8. INSTALLATION AND WIRING

8.1. Safety instructions



DANGER

Risk of injury due to high pressure

- Cut off the pressure and depressurize the pipes before loosening the pipes and connections.

Risk of injury due electrical discharge.

- Before starting work, make sure that you switch off the supply voltage and secure it to prevent restarting.
- Observe all applicable accident protection and safety guidelines for electrical equipment.



WARNING

Risk of injury due to non-conforming installation.

- The electrical and fluid installation can only be carried out by qualified and skilled staff with the appropriate tools
- Install appropriate safety devices (correctly rated fuse and/or circuit-breaker).
- Use cables with an operating temperature limit which is suitable for your application.
- Under normal conditions of use, cables with a 0.75 mm² cross section should be enough to transmit the signal.

Risk of injury due to unintentional switch on of power supply or uncontrolled restarting of the installation.

- Take appropriate measures to avoid any involuntary activation of the installation.
- Guarantee a set or controlled restarting of the process subsequent to the assembly of the device.

8.2. Installation onto the pipe

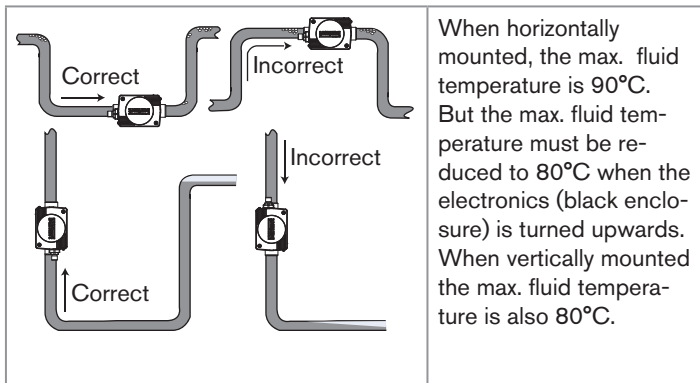


DANGER

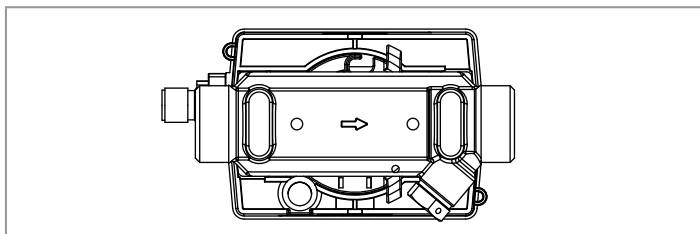
Risk of injury due to high pressure in the installation.

- Cut off the pressure and depressurize the pipes before loosening the pipes and connections.

The 8081 ultrasonic flow rate transmitter can be fitted onto a horizontal or vertical pipe.

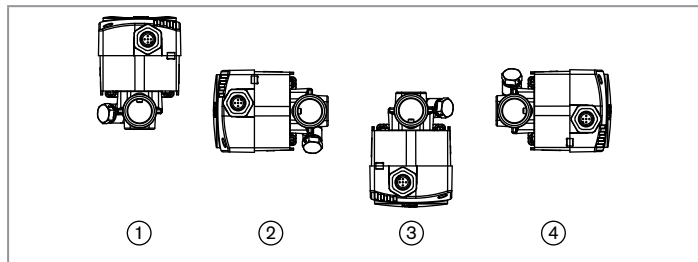


→ **Please be careful to respect the correct direction of fluid flow in the pipe.** It is indicated with an arrow, marked on the underside of the fitting.

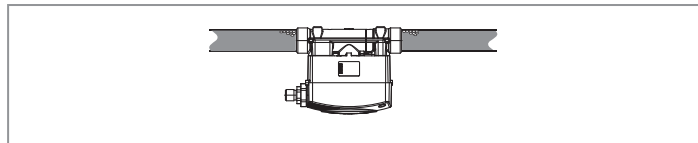


It is advisable to avoid placing the 8081 transmitter near any source of electromagnetic interference (switch, electric motor, fluorescent lamp, ...).

Minimum upstream and downstream distances are not necessary. The 8081 works correctly when the pipe is full and free of any air bubbles near the transmitter. In presence of bubbles in the pipe, the left installation no.1 should be avoided.



If the absence of any air bubbles cannot be guaranteed, the device should then be fitted on an horizontal pipe, with the electronic enclosure facing down. Thus the bubbles will not interfere with the circulation of ultrasonic waves.



NOTICE

When mounting the device on the pipe, the M12 fixed connector may be damaged.

If the M12 fixed connector is damaged the device cannot be used anymore.

- Please be careful not to damage the M12 fixed connector when mounting the device on the pipe.

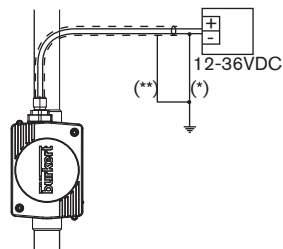
8.3. Electrical wiring**DANGER****Risk of injury due to electrical discharge**

- Before starting work, make sure that you switch off the supply voltage and secure it to prevent restarting.
- Do not install the cable near high voltage or high frequency cables.
- If this is unavoidable, keep to a minimum clearance of 30 cm.
- Observe all applicable accident protection and safety guidelines for electrical equipment



- The power supply must be filtered and regulated.

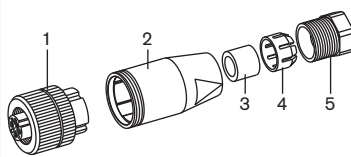
- Make sure the installation is earthed equipotentially (power supply - 8081).
- Connect the different earth connections of the installation to one another in order to remove any differences in potential which may arise between the two earth connections.
- Connect the cable shielding to the earth. Connect the negative terminal of the power supply to the earth to remove the effects of the common mode currents. If this connection cannot be made directly, a 100 nF/50 V capacitor can be fitted between the negative terminal of the power supply and the earth.



(*) If a direct earthing connection is not possible, fit a 100 nF/50 V capacitor between the negative terminal of the power supply and the earth.

(**) If your cable is shielded.

8.3.1. Assembly of the female cable plug (order code 438680)



→ Fully unscrew terminal block [1]

→ Remove body [2].

→ Unscrew clamping nut [5].

→ Pass cables through clamping nut [5], then through clamp ring [4] and gasket [3], and finally through body [2].

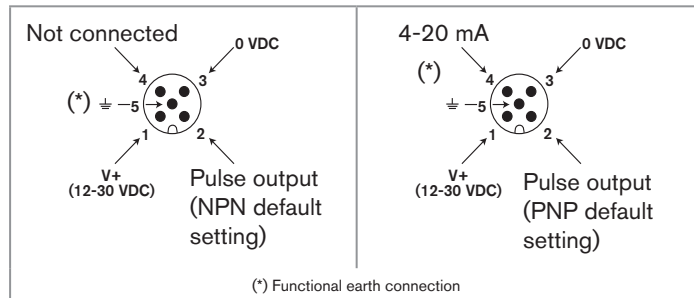
→ Wire terminal block [1] (acc. to 8.3.2, 8.3.3, 8.3.4 or 8.3.5)

→ Screw terminal block [1] onto body [2].

→ Insert gasket [3] and clamp ring [4] into body [2].

→ Screw clamping nut [5].

8.3.2. Wiring of the 5-pin M12 fixed connector



Wiring a version with pulse output

Wiring a version with pulse and current outputs

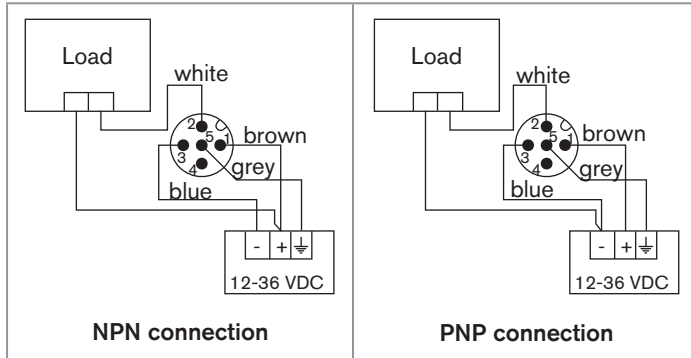
Pin of M12 cable plug with a 2-m cable available as accessory (order code 438680)	Colour of wire
1	brown
2	white
3	blue
4	black
5	grey

Type 8081

Installation and wiring

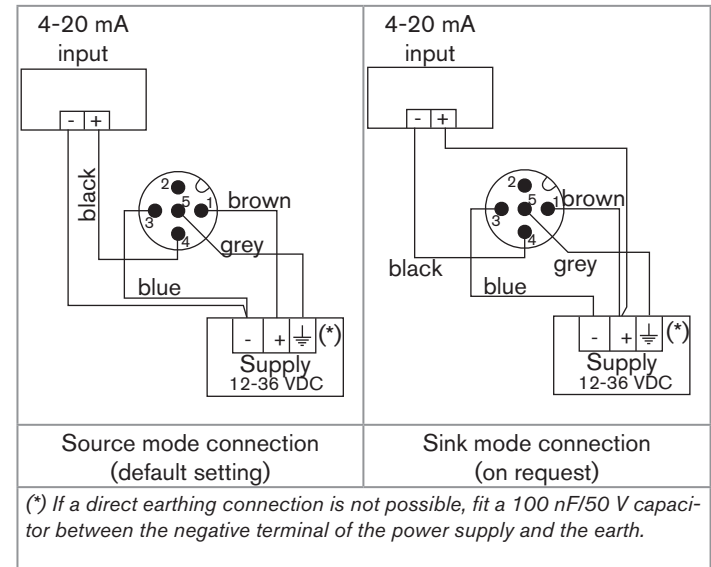
8.3.3. Connecting the pulse output

The pulse output is connected in NPN mode (default setting on a version without current output) or in PNP mode (default setting on a version with current output).

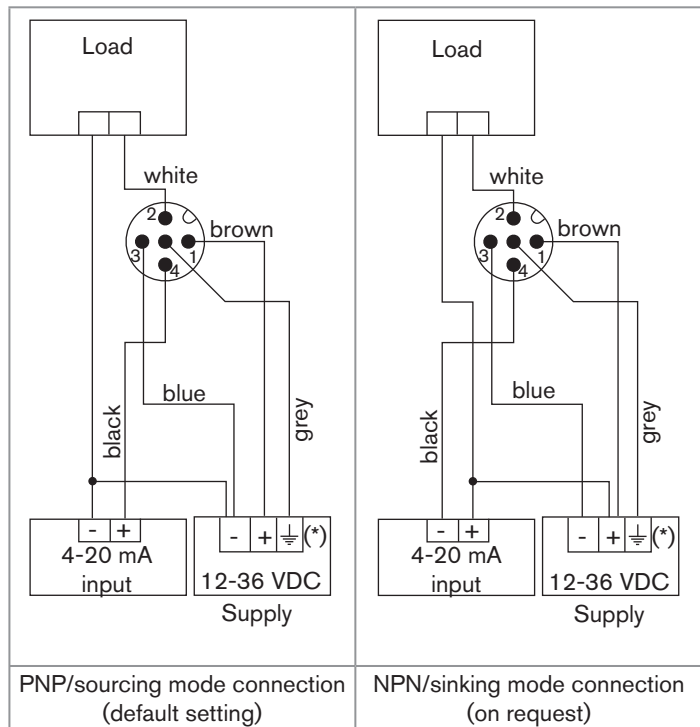


8.3.4. Only connecting the current output

The current output, where present, is connected in source mode (default setting) or in sink mode (on request).



8.3.5. Connecting both the current and pulse outputs



(*) If a direct earthing connection is not possible, fit a 100 nF/50 V capacitor between the negative terminal of the power supply and the earth.

9. COMMISSIONING

9.1. Safety instructions



WARNING

Danger due to non-conforming commissioning.

Non-conforming commissioning could lead to injuries and damage the device and its surroundings.

- Before commissioning, make sure that the staff in charge have read and fully understood the contents of the manual.
- In particular, observe the safety recommendations and standard operating practices.
- The device/installation must only be commissioned by suitably trained staff.
- Protect the device against electromagnetic interference, ultraviolet rays and, when installed outdoors, the effects of the climatic conditions.

10. ADJUSTMENT AND FUNCTIONS

10.1. Safety instructions



Risk of injury due to non-conforming adjustment.

- The operators in charge of adjustment must have read and understood the contents of this manual.
- In particular, observe the safety recommendations and standard operating practices.
- The device/installation must only be adjusted by suitably trained staff.

10.2. Adjustment of the 8081

- Pulse output:

The pulse output delivers a frequency in proportion to a volume. A pulse is generated each time a set volume passes, i.e. either $V = 0.002$ litre (for a model with QN = 0.6 or 1.5) or $V = 0.005$ litre (for a model with QN = 2.5 or 3.5) or $V = 0.01$ litre (for a model with QN = 6).

- Current output:

The current output, where present, is pre-programmed on the current range corresponding to the flow rate range (QN0.6, QN1.5, QN2.5, QN 3.5 or QN6) of the selected 8081 model.

11. MAINTENANCE

11.1. Safety instructions



Risk of injury due to high pressure in the installation.

- Cut off the pressure and depressurize the pipes before loosening the pipes and connections.

Risk of injury due to electrical discharge.

- Before starting work, be sure to switch off the supply voltage and secure it to prevent restarting.
- Observe the applicable accident prevention and safety regulations for electrical equipment.



Danger due to non-conforming maintenance.

- Maintenance must only be carried out by qualified and skilled staff with the appropriate tools.
- Following maintenance, ensure a controlled restart.

11.2. Cleaning

The 8081 flow meter can be cleaned with water or using a detergent compatible with the materials it is made of.

Please feel free to contact your Bürkert supplier for any additional information.

12. PACKAGING, TRANSPORT

NOTICE

Damage due to transport

- Transport may damage an insufficiently protected device.
- Transport the device in shock-resistant packaging and away from humidity and dirt.
- Avoid the effects of heat and cold which could cause the storage temperature range to be exceeded.
- Protect the electrical interfaces by using protection caps.

13. STORAGE

NOTICE

Poor storage can damage the device.

- Store the device in a dry place away from dust.
- Storage temperature: +5 to +55°C.

14. DISPOSAL OF THE PRODUCT

→ Dispose of the device and its packaging in an environmentally-friendly way.

NOTICE

Damage to the environment caused by products contaminated by fluids.

- Keep to the existing provisions on the subject of waste disposal and environmental protection.



Please note:

Comply with the national and/or local regulations which concern the area of waste disposal.

Wasser-Durchfluss-Transmitter Typ 8081

Inhaltsverzeichnis:

1. DIE BEDIENUNGSANLEITUNG	5	5.4. Bestellnummer	11
1.1. Darstellungsmittel	5	6. TECHNISCHE DATEN	13
2. BESTIMMUNGSGEMÄSSE VERWENDUNG.....	6	6.1. Betriebsbedingungen	13
2.1. Beschränkungen	6	6.2. Normenbezüge und Richtlinien.....	13
2.2. Vorhersehbarer Fehlgebrauch.....	6	6.3. Allgemeine technische Daten	13
3. GRUNDLEGENDE SICHERHEITSHINWEISE.....	7	6.3.1. Mechanische Daten	13
4. ALLGEMEINE HINWEISE.....	8	6.3.2. Allgemeine Daten	14
4.1. Lieferumfang	8	6.3.3. Elektrische Daten	15
4.2. Gewährleistung	8	6.3.4. Elektrischer Anschluss.....	16
4.3. Informationen im Internet.....	9	7. MONTAGE	16
5. BESCHREIBUNG.....	9	7.1. Allgemeine Sicherheitshinweise	16
5.1. Vorgesehener Einsatzbereich.....	9	7.2. Montage des 8081	17
5.2. Allgemeine Beschreibung.....	9	8. INSTALLATION.....	17
5.2.1. Aufbau.....	9	8.1. Sicherheitshinweise	17
5.2.2. Messelement und Messprinzip.....	10	8.2. Installation auf Rohrleitung	18
5.3. Beschreibung des Typenschildes.....	10	8.3. Elektrische Installation.....	19
		8.3.1. Zusammenstellung der M12-Steckdose (Bes-	
		tell-Nr 438680).....	20

8.3.2. Verkabelung des M12-5pin-Steckers	21
8.3.3. Anschluss des Pulsausgangs	21
8.3.4. Anschluss des Stromausgangs allein.....	22
8.3.5. Anschluss des Stromausgangs und des Pul- sausgangs.....	22
9. INBETRIEBNAHME.....	23
9.1. Sicherheitshinweise	23
10. BEDIENUNG UND FUNKTION	23
10.1. Sicherheitshinweise	23
10.2. Bedienung des 8081	23
11. WARTUNG.....	24
11.1. Sicherheitshinweise	24
11.2. Reinigung	24
12. VERPACKUNG, TRANSPORT	24
13. LAGERUNG	25
14. ENTSORGUNG.....	25

1. DIE BEDIENUNGSANLEITUNG

Die Bedienungsanleitung beschreibt den gesamten Lebenszyklus des Gerätes. Bewahren Sie diese Anleitung so auf, dass sie für jeden Benutzer gut zugänglich ist und jedem neuen Eigentümer des Gerätes wieder zur Verfügung steht.

Die Bedienungsanleitung enthält wichtige Informationen zur Sicherheit!

Das Nichtbeachten dieser Hinweise kann zu gefährlichen Situationen führen.

- Die Bedienungsanleitung muss gelesen und verstanden werden.

1.1. Darstellungsmittel



GEFAHR!

Warnt vor einer unmittelbaren Gefahr!

- Bei Nichtbeachtung sind Tod oder schwere Verletzungen die Folge.



WARNUNG!

Warnt vor einer möglicherweise gefährlichen Situation!

- Bei Nichtbeachtung drohen schwere Verletzungen oder Tod.



VORSICHT!

Warnt vor einer möglichen Gefährdung!

- Nichtbeachtung kann mittelschwere oder leichte Verletzungen zur Folge haben.

HINWEIS!

Warnt vor Sachschäden!

- Bei Nichtbeachtung kann das Gerät oder die Anlage beschädigt werden.



bezeichnet wichtige Zusatzinformationen, Tipps und Empfehlungen, die für Ihre Sicherheit und die einwandfreie Funktion des Gerätes wichtig sind.



verweist auf Informationen in dieser Bedienungsanleitung oder in anderen Dokumentationen.

→ markiert einen Arbeitsschritt, den sie ausführen müssen.

2. BESTIMMUNGSGEMÄSSE VERWENDUNG



WARNUNG

Bei nicht bestimmungsgemäßem Einsatz des Ultraschall-Durchfluss-Transmitters können Gefahren für Personen, Anlagen in der Umgebung und die Umwelt entstehen.

- Der Transmitter 8081 darf nur zur Durchflussmessung von Wasser oder neutralen Flüssigkeiten eingesetzt werden.
- Vermeiden Sie wenn möglich das Gerät in der Nähe von elektromagnetischen Störungen zu installieren.
- Schützen Sie das Gerät vor U.V.-Bestrahlung und bei Außenanwendung vor Witterungseinflüssen.
- Für den Einsatz sind die in den Vertragsdokumenten und der Bedienungsanleitung spezifizierten zulässigen Daten, Betriebs- und Einsatzbedingungen zu beachten.
- Das Gerät nur in Verbindung mit von Bürkert empfohlenen bzw. zugelassenen Fremdgeräten und -komponenten einsetzen.
- Voraussetzungen für den sicheren und einwandfreien Betrieb sind sachgemäßer Transport, sachgemäße Lagerung und Installation sowie sorgfältige Bedienung und Instandhaltung.
- Setzen Sie das Gerät nur bestimmungsgemäß ein.

2.1. Beschränkungen

Beachten Sie bei der Ausfuhr des Gerätes gegebenenfalls bestehende Beschränkungen.

2.2. Vorhersehbarer Fehlgebrauch

- Der Ultraschall-Durchfluss-Transmitter Typ 8081 darf nicht in explosionsgefährdeten Bereichen eingesetzt werden.
- Verwenden Sie keine Flüssigkeiten, die unvereinbar mit den Werkstoffen des Transmitters sind.
- Belasten Sie das Gehäuse nicht mechanisch (z.B. durch Ablage von Gegenständen oder als Trittstufe).
- Nehmen Sie keine äußerlichen Veränderungen an den Gerätegehäusen vor. Gehäuseteile und Schrauben nicht lackieren.

3. GRUNDLEGENDE SICHERHEITSHINWEISE

Diese Sicherheitshinweise berücksichtigen keine

- Zufälligkeiten und Ereignisse, die bei Montage, Betrieb und Wartung der Geräte auftreten können.
- ortsbezogenen Sicherheitsbestimmungen, für deren Einhaltung, auch in Bezug auf das Montagepersonal, der Betreiber verantwortlich ist.



Gefahr durch hohen Druck!

Gefahr durch hohe Mediumstemperaturen!

Gefahr durch elektrische Spannung!



Allgemeine Gefahrensituationen

Zum Schutz vor Verletzungen ist zu beachten

- Dass die Anlage nicht unbeabsichtigt betätigt werden kann.
- Installations- und Instandhaltungsarbeiten dürfen nur von autorisiertem Fachpersonal mit geeignetem Werkzeug ausgeführt werden.
- Nach einer Unterbrechung der elektrischen Versorgung ist ein definierter oder kontrollierter Wiederanlauf des Prozesses zu gewährleisten
- Das Gerät darf nur in einwandfreiem Zustand und unter Beachtung der Bedienungsanleitung betrieben werden.
- Für die Einsatzplanung und den Betrieb des Gerätes müssen die allgemeinen Regeln der Technik eingehalten werden.

HINWEIS!

Elektrostatisch gefährdete Bauelemente / Baugruppen

- Das Gerät enthält elektronische Bauelemente, die gegen elektrostatische Entladung (ESD) empfindlich reagieren. Berührung mit elektrostatisch aufgeladenen Personen oder Gegenständen gefährdet diese Bauelemente. Im schlimmsten Fall werden sie sofort zerstört oder fallen nach der Inbetriebnahme aus.
- Beachten Sie die Anforderungen nach EN 100 015 - 1, um die Möglichkeit eines Schadens durch schlagartige, elektrostatische Entladung zu minimieren bzw. zu vermeiden!
- Achten Sie ebenso darauf, dass Sie elektronische Bauelemente nicht bei anliegender Versorgungsspannung berühren!



Der Ultraschall-Durchfluss-Transmitter Typ 8081 wurde unter Einbeziehung der anerkannten sicherheitstechnischen Regeln entwickelt und entspricht dem Stand der Technik. Trotzdem können Gefahren entstehen.

Bei Nichtbeachtung dieser Bedienungsanleitung und ihrer Hinweise sowie bei unzulässigen Eingriffen in das Gerät entfällt jegliche Haftung unsererseits, ebenso erlischt die Garantie auf Geräte und Zubehörteile!

4. ALLGEMEINE HINWEISE

4.1. Lieferumfang

Überzeugen Sie sich unmittelbar nach Erhalt der Sendung, dass der Inhalt nicht beschädigt ist und in Art und Umfang mit dem Lieferschein bzw. der Packliste übereinstimmt.

Bei Unstimmigkeiten wenden Sie sich bitte umgehend an uns.

Die Kontaktadressen finden Sie auf den letzten Seiten dieser Bedienungsanleitung.

Außerdem im Internet unter:

www.burkert.com → Bürkert → Company → Locations

4.2. Gewährleistung

Voraussetzung für die Gewährleistung ist der bestimmungsgemäße Gebrauch des 8081 unter Beachtung der im vorliegenden Handbuch spezifizierten Einsatzbedingungen. Die Bedingungen für die eventuelle Gewährleistung unterliegen unseren allgemeinen Verkaufsbedingungen.



Die Gewährleistung deckt nur eventuelle Fehler des Transmitters 8081 und seiner Bestandteile ab.

Die Gesellschaft Bürkert haftet in keiner Weise für irgendwelche Verluste oder Schäden in Verbindung mit dem Produkt, der Dienstleistung, dieser Garantie oder anderweitig, einschließlich finanziellen oder immateriellen Verlusten, den für das Produkt gezahlten Preis, einen Verlust von Gewinnen, Einkommen, Daten, den Genuss oder die Nutzung des Produkts oder jedes mit ihm zusammenhängenden Produkts, indirekten oder zufälligen Verlust oder Schaden.

Im Fall abweichender Auslegung oder abweichenden Verständnisses dieses Absatzes 4.2 gilt nur die französische Version.

4.3. Informationen im Internet

Bedienungsanleitungen und Datenblätter zum Typ 8081 finden Sie im Internet unter:

www.buerkert.de → Dokumentation → Datenblätter oder Bedienungsanleitungen/Zulassungen → Typ 8081

Die komplette Bedienungsanleitung können Sie unter folgender Identnummer bestellen: 00560456

5. BESCHREIBUNG

5.1. Vorgesehener Einsatzbereich

Der Ultraschall-Durchfluss-Transmitter Typ 8081 ist zur Durchflussmessung von Wasser bestimmt; Dieses kann auch leicht verunreinigt sein.

5.2. Allgemeine Beschreibung

5.2.1. Aufbau

Der Ultraschall-Durchfluss-Transmitter 8081 besteht aus einem Elektronikmodul und einem Messing-Fitting mit integriertem Messrohr. In Kombination mit einem Regler und einem Regelventil lassen sich sehr einfach Durchfluss-Regelstrecken aufbauen.

Der elektrische Anschluss erfolgt über einen M12-5Pin-Gerätestecker. Der Transmitter ist je nach Ausführung mit den folgenden Ausgängen versehen:

- einem Pulsausgang oder
- einem Pulsausgang und einem 4-20 mA-Stromausgang

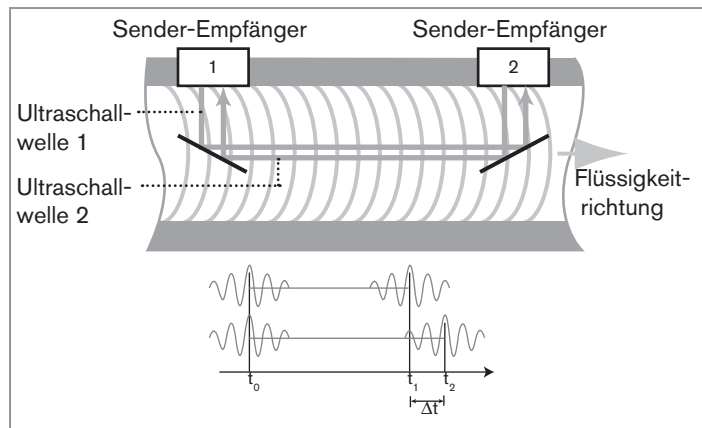
Jede Ausführung ist mit fünf verschiedenen Durchflussbereichen verfügbar:

- QN 0,6-Modell DN15 : 0,06 bis 20 l/min
(Nenngröße 0,6 m³/h d.h. 10 l/min)
- QN 1,5-Modell DN15 : 0,1 bis 50 l/min
(Nenngröße 1,5 m³/h d.h. 25 l/min)
- QN 2,5-Modell DN20 : 0,16 bis 82 l/min
(Nenngröße 2,5 m³/h d.h. 41 l/min)

- QN 3,5-Modell DN25 : 0,6 bis 116 l/min
(Nenngröße 3,5 m³/h d.h. 58,33 l/min)
- QN 6-Modell DN25 : 1 bis 200 l/min
(Nenngröße 6 m³/h d.h. 100 l/min)

5.2.2. Messelement und Messprinzip

Der Durchflussmesser 8081 verwendet die Ultraschall-Technologie nach dem Laufzeit-Verfahren. Hierbei wird die Zeit gemessen, die der Schall von Sender 1 bis Empfänger 2 bzw. von Sender 2 bis Empfänger 1 benötigt. Die Differenz der beiden Laufzeiten ist direkt proportional zu der Fließgeschwindigkeit des Mediums.

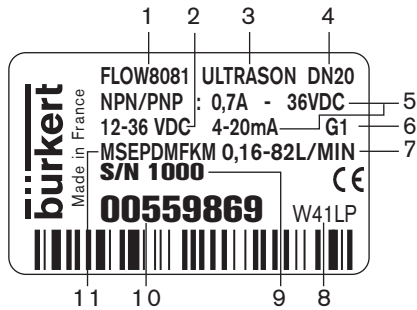


Das Elektronikmodul berechnet anhand der Laufzeitdifferenz die Fließgeschwindigkeit und stellt an dem Ausgang ein durchflussproportionales Frequenzsignal zur Verfügung. Weiterhin wird über ein 4-20 mA Normsignal wahlweise der Durchfluss oder die Temperatur ausgegeben.

5.3. Beschreibung des Typenschilds

1. Messgröße, Art des Durchflusssensors
2. Betriebsspannung
3. Messprinzip
4. Nennweite
5. Ausgang-Kenngrößen
6. Prozessanschluss
7. Durchflussbereich
8. Werkinterne Nummer
9. Serien-Nummer
10. Bestell-Nummer
11. Fitting und Dichtung Werkstoff

Typ 8081
Beschreibung



5.4. Bestellnummer

QN	DN	Durchflussbereich	Leitungsanschluss	Ausgänge	Bestellnummer
0,6	15	0,06 bis 20 l/min	Außengewinde G 3/4"	Puls, NPN	560131
				Puls, PNP + 4-20 mA im Quelle-Modus	560113
			Außengewinde NPT 3/4"	Puls, NPN	560612
				Puls, PNP + 4-20 mA im Quelle-Modus	560617
1,5	15	0,1 bis 50 l/min	Außengewinde G 3/4"	Puls, NPN	559865
				Puls, PNP + 4-20 mA im Quelle-Modus	559868
			Außengewinde NPT 3/4"	Puls, NPN	560613
				Puls, PNP + 4-20 mA im Quelle-Modus	560618

QN	DN	Durchflussbereich	Leitungsanschluss	Ausgänge	Bestell-Nummer			
2,5	20	0,16 bis 82 l/min	Außengewinde G 1"	Puls, NPN	559866			
				Puls, PNP + 4-20 mA im Quelle-Modus	559869			
			Außengewinde NPT 1"	Puls, NPN	560614			
				Puls, PNP + 4-20 mA im Quelle-Modus	560619			
			3,5	25	0,6 bis 116 l/min	Außengewinde G 1 1/4"	Puls, NPN	559867
							Puls, PNP + 4-20 mA im Quelle-Modus	559870
Außengewinde NPT 1 1/4"	Puls, NPN	560615						
	Puls, PNP + 4-20 mA im Quelle-Modus	560620						

QN	DN	Durchflussbereich	Leitungsanschluss	Ausgänge	Bestell-Nummer
6	25	1 bis 200 l/min	Außengewinde G 1 1/4"	Puls, NPN	560132
				Puls, PNP + 4-20 mA im Quelle-Modus	560114
			Außengewinde NPT 1 1/4"	Puls, NPN	560616
				Puls, PNP + 4-20 mA im Quelle-Modus	560621

6. TECHNISCHE DATEN

6.1. Betriebsbedingungen

Umgebungstemperatur: 5 bis +55 °C

Lagerungstemperatur: 5 bis +55 °C

Luftfeuchtigkeit: < 80%, nicht kondensiert

Schutzklasse : IP65 mit eingesteckter und angezogener
M12-Steckdose

6.2. Normenbezüge und Richtlinien

EMV: EN61000-6-3, 61000-6-2

Vibration: EN 60068-2-6

Schock: EN 60068-2-27.

Druck: gemäß Artikel 3 des §3 der Richtlinie 97/23/CE.

Für die 97/23/CE Druck-Richtlinie kann das Gerät unter den folgenden Bedingungen verwendet werden (abhängig von dem max. Druck, der Rohrnennweite und der Flüssigkeit).

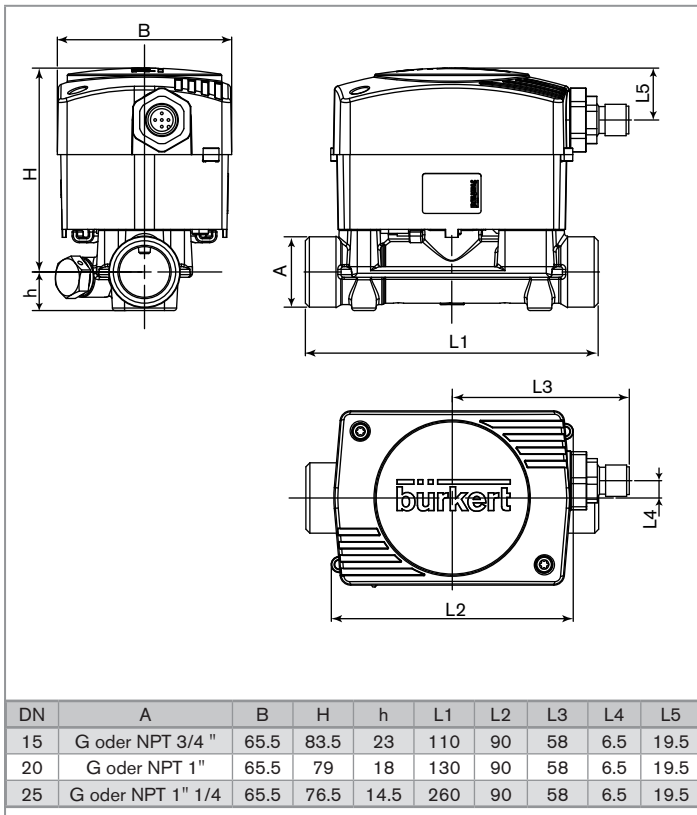
Typ der Flüssigkeit	Bedingungen
Flüssigkeitgruppe 1, §1.3.a	verboten
Flüssigkeitgruppe 2, §1.3.a	erlaubt ($PN \cdot DN \leq 1000$)
Flüssigkeitgruppe 1, §1.3.b	verboten
Flüssigkeitgruppe 2, §1.3.b	erlaubt

6.3. Allgemeine technische Daten

6.3.1. Mechanische Daten

Teile	Werkstoff
Gehäuse, Deckel	PPS
Dichtung mit der Umgebung in Kontakt gesetzt	Silikon
M12-Stecker	PA
Fitting	Messing
Messrohr	PES
Dichtung mit der Flüssigkeit in Kontakt gesetzt	EPDM, FKM

Abmessungen [mm]



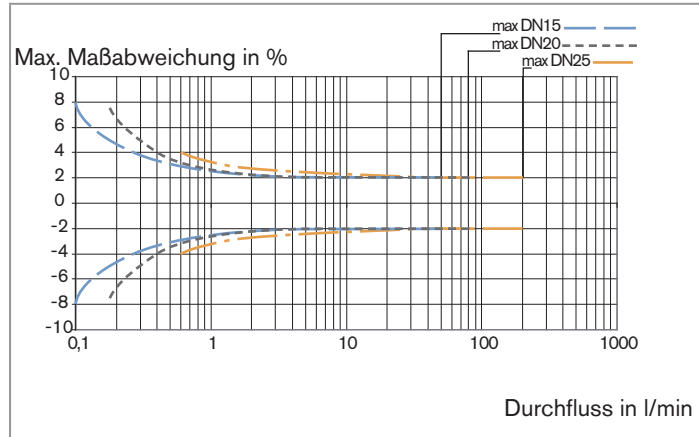
6.3.2. Allgemeine Daten

Rohrdurchmesser	DN15 bis DN25
Typ der Flüssigkeit	Wasser (neutrale Flüssigkeit auf Anfrage)
Mediumstemperatur	5 bis 90 °C
Mediumsdruck	PN 16
Messbereich	0,06 bis 200 l/min
Genauigkeit (siehe Diagramm nächste Seite)	\pm (0.01% vom Messbereichende* + 2% vom Messwert) ¹⁾ ,
Wiederholbarkeit	1% vom Messwert
Messelement	2 Sender-Empfänger-Ultraschallzellen

* Messbereichende, siehe Durchflussbereich auf Genauigkeitsdiagramm

¹⁾ Unter Referenzbedingungen, d.h. Messmedium = Wasser, Umgebungs- und Wassertemperatur = 20 °C,

Messgenauigkeit Diagramm



6.3.3. Elektrische Daten

Versorgungsspannung (V+)	12-36 VDC
Stromaufnahme	<ul style="list-style-type: none"> Interne Stromaufnahme: < 4 mA Stromaufnahme mit Last: < 1A
Pulsausgang (Transistor)	<ul style="list-style-type: none"> Ausführung ohne Stromausgang Ausführung mit Stromausgang <ul style="list-style-type: none"> NPN als Grundeinstellung; (PNP auf Anfrage), Open Kollektor, 5 mA min., 700 mA max., NPN-Ausgang : 0,2-36 VDC PNP als Grundeinstellung; (auf Anfrage: NPN für den Pulsausgang und Senke-Modus für den Stromausgang), Open Kollektor, 5 mA min., 700 mA max., PNP-Ausgang: Versorgungsspannung (V+) <p>Bei QN=0,6 oder 1,5: 1 Puls entspricht einer Menge V = 0,002 l (K-Faktor = 500 Puls/Liter) Bei QN=2,5 oder 3,5: 1 Puls entspricht einer Menge V = 0,005 l (K-Faktor = 200 Puls/Liter) Bei QN=6: 1 Puls entspricht einer Menge V = 0,01 l (K-Faktor = 100 Puls/Liter)</p>

Schutz gegen : Falschpolung Spannungsspitzen Kurzschluss	vorhanden vorhanden vorhanden, für den Pulsausgang
Stromausgang	4-20 mA (Quelle-Modus als Grundeinstellung; Auf Anfrage: Senke-Modus für den Stromausgang und NPN für den Pulsausgang) entspricht entweder dem Durchflussbereich des ausgewählten Modells (Grundeinstellung) oder dem Temperaturbereich (auf Anfrage) Bürde max.: 1100 Ω bei 36 V DC 610 Ω bei 24 V DC 100 Ω bei 12 V DC
Empfohlener Kabeltyp	1,5 mm ² Querschnitt max.

6.3.4. Elektrischer Anschluss

Transmitter Ausführung	Typ der Steckdose
Alle	M12 Steckdose, 5-polig (als Zubehör unter der Bestell-Nr 438680 verfügbar)

7. MONTAGE

7.1. Allgemeine Sicherheitshinweise



GEFAHR!

Verletzungsgefahr durch hohen Druck in der Anlage!

- Vor dem Lösen von Leitungen und Fitting den Druck ablassen.

Verletzungsgefahr durch Stromschlag!

- Vor Eingriffen in die Anlage die Spannung abschalten und vor Wiedereinschalten sichern!
- Die geltenden Unfallverhütungs- und Sicherheitsbestimmungen für elektrische Geräte beachten!



WARNUNG!

Verletzungsgefahr bei unsachgemäßer Montage!

- Die Montage darf nur autorisiertes Fachpersonal mit geeignetem Werkzeug durchführen!

Verletzungsgefahr durch ungewolltes Einschalten der Anlage und unkontrollierten Wiederanlauf!

- Anlage vor unbeabsichtigtem Betätigen sichern.
- Nach der Montage einen kontrollierten Wiederanlauf gewährleisten.

7.2. Montage des 8081

HINWEIS!

Wenn der Deckel entfernt ist, kann der Transmitter durch Kontakt zwischen dem Element und der Elektronik beschädigt werden und die Dichtheit ist dann auch nicht mehr gewährleistet.

- Das Gerät nicht auseinanderbauen.

8. INSTALLATION

8.1. Sicherheitshinweise



GEFAHR!

Verletzungsgefahr durch hohen Druck in der Anlage!

- Vor dem Lösen von Leitungen und Fitting den Druck ablassen.

Verletzungsgefahr durch Stromschlag!

- Vor Eingriffen in die Anlage die Spannung abschalten und vor Wiedereinschalten sichern!
- Die geltenden Unfallverhütungs- und Sicherheitsbestimmungen für elektrische Geräte beachten!



WARNUNG!

Verletzungsgefahr bei unsachgemäßer Installation!

- Fluidische und elektrische Installationen dürfen nur durch autorisiertes Fachpersonal und mit geeignetem Werkzeug durchgeführt werden!
- Es ist ratsam, Sicherheitsvorrichtungen für die Stromversorgung zu installieren: richtig dimensionierte Sicherung und/oder Übersichtsicherer.
- Nur Kabel mit einer für Ihren Prozess ausreichenden Temperaturbeständigkeit verwenden.
- Bei normalen Betriebsbedingungen kann das Messsignal über ein abgeschirmtes Kabel mit einem Querschnitt von 0,75 mm² übertragen werden.

Verletzungsgefahr durch ungewolltes Einschalten der Anlage und unkontrollierten Wiederanlauf!

- Anlage vor unbeabsichtigtem Betätigen sichern.
- Nach der Installation einen kontrollierten Wiederanlauf gewährleisten.

8.2. Installation auf Rohrleitung

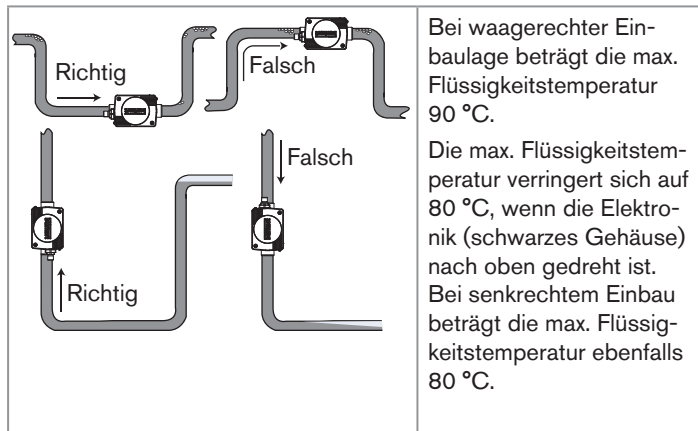


GEFAHR!

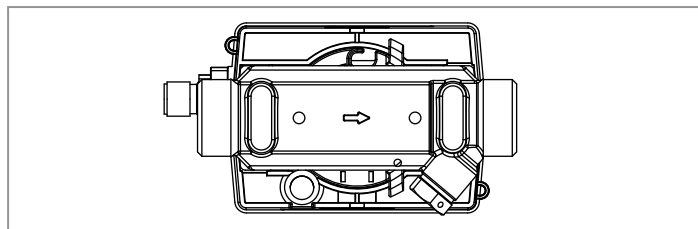
Verletzungsgefahr durch hohen Druck in der Anlage!

- Vor dem Lösen von Leitungen und Fitting den Druck ablassen.

Der Ultraschall-Durchfluss-Transmitter 8081 kann entweder in waagerechte oder senkrechte Rohre montiert werden.



→ **Beachten Sie die Fließrichtung der Flüssigkeit in der Rohrleitung.** Sie muss in Richtung des unter dem Fitting gezeichneten Pfeils orientiert sein.

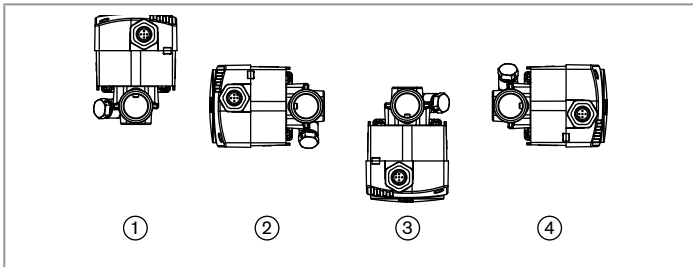




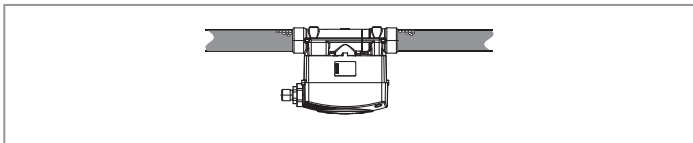
Wenn möglich ein Einbau des Transmitters 8081 in der Nähe Quellen von elektromagnetischen Störungen (Schalter, Elektromotor, Leuchtstofflampe, ...) vermeiden.

Mindesteinlauf- und Auslauf- Strecken müssen nicht eingehalten werden.

Der Sensor 8081 gibt genaue Messungen, wenn das Rohr am Transmitter zu jedem Zeitpunkt vollständig gefüllt und frei von Luftblasen ist. Mit Luftblasen im Rohr ist die Position 1 zu vermeiden.



Wenn man nicht garantieren kann, dass in der Rohrleitung keine Luftblasen sind, dann muss das Gerät - Elektronikgehäuse nach unten - auf eine horizontale Rohrleitung montiert werden. So stören die Luftblasen den Ultraschallwellenkreislauf nicht.



HINWEIS!

Bei der Montage des Geräts auf die Rohrleitung, kann der M12-Stecker beschädigt werden.

Wenn der M12-Stecker beschädigt ist, kann das Gerät nicht mehr verwendet werden.

- Beachten Sie die Integrität des M12-Steckers, bei der Montage des Geräts auf die Rohrleitung.

8.3. Elektrische Installation



GEFAHR!

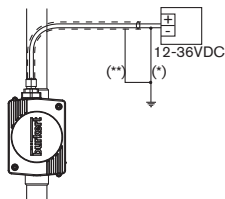
Verletzungsgefahr durch Stromschlag!

- Vor Eingriffen in die Anlage die Spannung abschalten und vor Wiedereinschalten sichern!
- Das Kabel nicht in der Nähe von Hochspannungs- oder Hochfrequenzleitungen installieren.
- Wenn eine kombinierte Installation unumgänglich ist, ein Mindestabstand von 30 cm einhalten.
- Die geltenden Unfallverhütungs- und Sicherheitsbestimmungen für elektrische Geräte beachten!



- Verwenden Sie eine gefilterte und geregelte Stromversorgung.

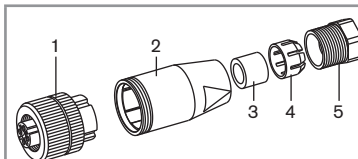
- Stellen Sie die Äquipotentialität der Installation sicher (Stromversorgung - 8081)
- Die verschiedenen Erdungspunkte der Installation aneinander anschließen, damit die zwischen zwei Erdungspunkten möglicherweise erzeugten Potentialdifferenzen beseitigt werden.
- Es muss auf vorschriftsmäßige Erdung der Abschirmung des Kabels geachtet werden. Erden Sie den negativen Anschluss der Versorgungsquelle, um die Auswirkungen der Gleichtaktströme zu unterdrücken. Ist eine direkte Erdung unmöglich, schließen Sie einen 100 nF/50 V-Kondensator zwischen den negativen Anschluss der Versorgungsspannung und der Erde an.



(*) Ist keine direkte Erdung möglich, schließen Sie einen 100 nF / 50 V -Kondensator zwischen dem negativen Anschluss der Versorgungsquelle und der Erde an.

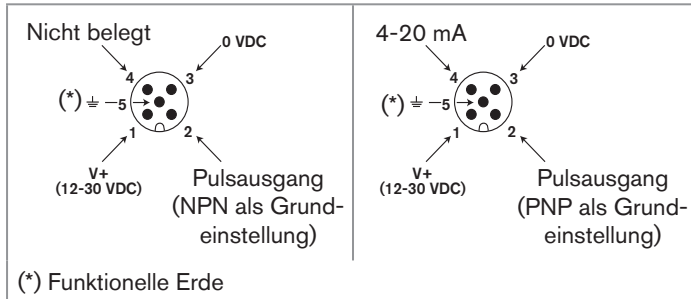
(**) Bei Verwendung eines abgeschirmten Kabels.

8.3.1. Zusammenstellung der M12-Steckdose (Bestell-Nr 438680)



- Klemmleiste [1] aufschrauben
- Gehäuse [2] entfernen.
- Klemmmutter [5] aufschrauben.
- Kabel durch Klemmmutter [5] dann durch Klemmring [4] und durch Dichtungsscheibe [3] und schließlich durch Gehäuse [2] führen.
- Klemmleiste [1] gemäß § 8.3.2, 8.3.3, 8.3.4 oder 8.3.5 verkabeln
- Klemmleiste [1] an Gehäuse [2] schrauben.
- Dichtungsscheibe [3] und Klemmring [4] in Gehäuse [2] einfügen.
- Klemmmutter [5] festschrauben.

8.3.2. Verkabelung des M12-5pin-Steckers



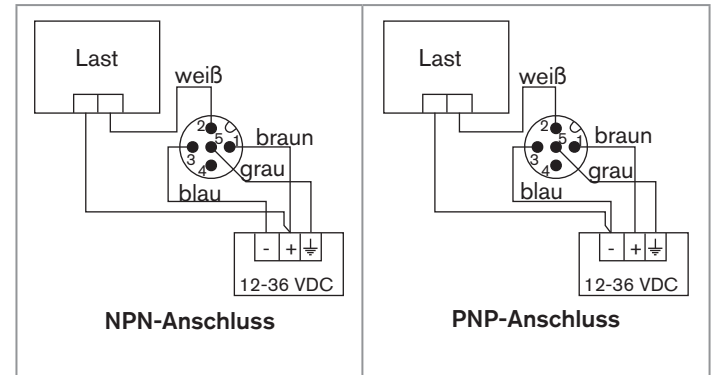
Verkabelung der
Pulsausgangsausführung

Verkabelung der Puls- und
Strom-Ausgangsausführung

Pin-Nummer der als Zubehör verfügbaren M12-Steckdose mit 2 m Kabel (Bestell-Nummer 438680)	Farbe der Adern
1	braun
2	weiß
3	blau
4	schwarz
5	grau

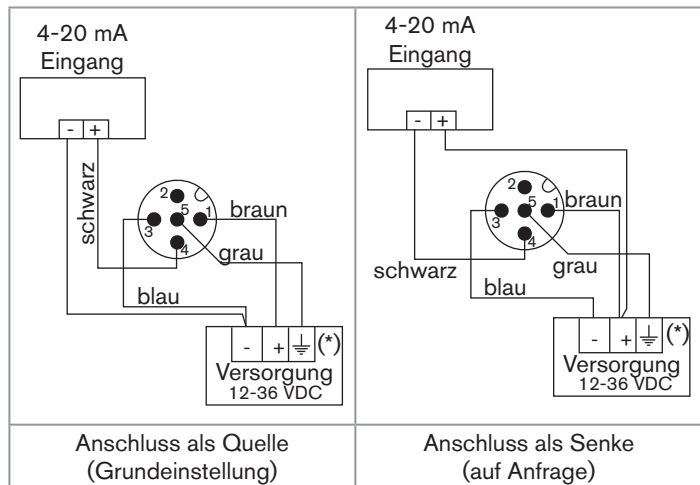
8.3.3. Anschluss des Pulsausgangs

Der Pulsausgang kann entweder im NPN-(Grundeinstellung bei einer Ausführung ohne Stromausgang) oder PNP-(Grundeinstellung bei einer Ausführung mit Stromausgang) Modus angeschlossen werden.



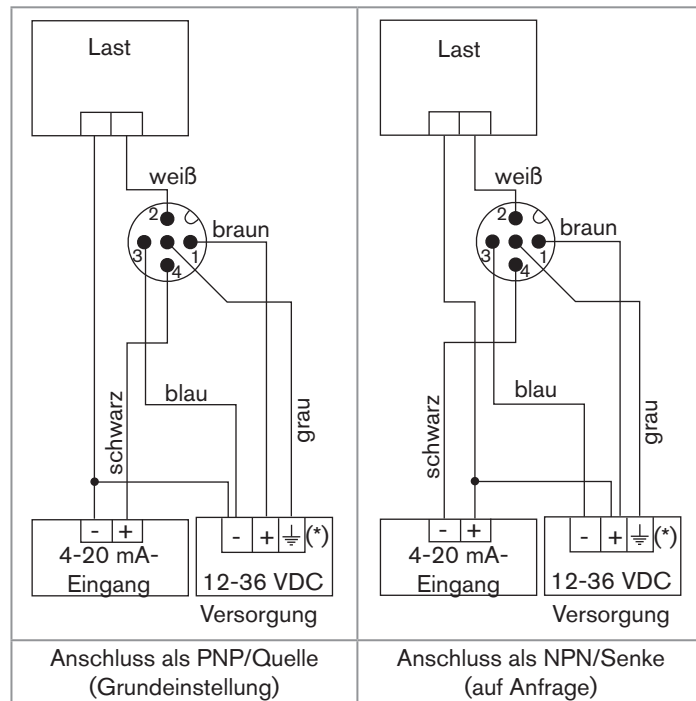
8.3.4. Anschluss des Stromausgangs allein

Der Stromausgang, wenn vorhanden, kann als Quelle (Grundeinstellung) oder als Senke (auf Anfrage) angeschlossen werden.



(*) Ist keine direkte Erdung möglich, schließen Sie einen 100 nF / 50 V -Kondensator zwischen dem negativen Anschluss der Versorgungsquelle und der Erde an.

8.3.5. Anschluss des Stromausgangs und des Pulsausgangs



(*) Ist keine direkte Erdung möglich, schließen Sie einen 100 nF / 50 V -Kondensator zwischen dem negativen Anschluss der Versorgungsquelle und der Erde an.

9. INBETRIEBNAHME

9.1. Sicherheitshinweise



WARNUNG

Verletzungsgefahr bei unsachgemäßem Betrieb!

Nicht sachgemäßer Betrieb kann zu Verletzungen, sowie Schäden am Gerät und seiner Umgebung führen.

- Vor der Inbetriebnahme muss gewährleistet sein, dass der Inhalt der Bedienungsanleitung dem Bedienungspersonal bekannt ist und vollständig verstanden wurde.
- Die Sicherheitshinweise und die bestimmungsgemäße Verwendung müssen beachtet werden.
- Nur ausreichend geschultes Personal darf die Anlage/das Gerät in Betrieb nehmen.
- Das Gerät muss vor elektromagnetischen Störungen, vor UV-Bestrahlung und, bei Außenanwendung, vor Witterungseinflüssen geschützt werden.

10. BEDIENUNG UND FUNKTION

10.1. Sicherheitshinweise



WARNUNG

Verletzungsgefahr bei unsachgemäße Bedienung!

- Das Bedienungspersonal muss den Inhalt der Bedienungsanleitung kennen und verstanden haben.
- Die Sicherheitshinweise und die bestimmungsgemäße Verwendung müssen beachtet werden.
- Nur ausreichend geschultes Personal darf die Anlage/das Gerät bedienen.

10.2. Bedienung des 8081

- **Pulsausgang:**

Der Pulsausgang liefert eine Frequenz, welche proportional zu einer Menge ist.

Für jeden Durchgang ist ein Puls eines der Ausführung entsprechenden festgelegten Volumens der Flüssigkeit erzeugt, d.h.

$V = 0,002$ Liter bei einer Ausführung mit $QN = 0,6$ oder $1,5$ bzw.

$V = 0,005$ Liter bei einer Ausführung mit $QN = 2,5$ oder $3,5$ bzw.

$V = 0,01$ Liter bei einer Ausführung mit $QN = 6$.

- **Stromausgang:**

Wenn vorhanden ist der Stromausgang mit einem dem ausgewählten 8081 Modell entsprechenden Durchflussbereich ($QN0,6$; $QN1,5$; $QN2,5$; $QN3,5$; $QN6$) voreingestellt.

11. WARTUNG

11.1. Sicherheitshinweise



GEFAHR

Verletzungsgefahr durch hohen Druck in der Anlage!

- Vor dem Lösen von Leitungen den Druck ablassen.

Verletzungsgefahr durch Stromschlag!

- Vor Eingriffen in die Anlage die Spannung abschalten und vor Wiedereinschalten sichern!
- Die geltenden Unfallverhütungs- und Sicherheitsbestimmungen für elektrische Geräte beachten!



WARNUNG

Gefahr durch unsachgemäße Wartungsarbeiten!

- Die Wartung darf nur autorisiertes Fachpersonal mit geeignetem Werkzeug durchführen!
- Nach der Wartung einen kontrollierten Wiederanlauf gewährleisten.

11.2. Reinigung

Zur Reinigung des Gerätes 8081 verwendet man Wasser oder ein für die Materialien der Fittings geeignetes Lösungsmittel.

Für weitere Auskünfte, steht Ihnen Bürkert zur Verfügung.

12. VERPACKUNG, TRANSPORT

HINWEIS!

Transportschäden

Unzureichend geschützte Geräte können durch den Transport beschädigt werden.

- Gerät vor Nässe und Schmutz geschützt in einer stoßfesten Verpackung transportieren.
- Eine Über- bzw. Unterschreitung der zulässigen Lagertemperatur vermeiden.
- Verschließen Sie die elektrischen Schnittstellen mit Schutzkappen.

13. LAGERUNG

HINWEIS!

Falsche Lagerung kann Schäden am Gerät verursachen.

- Lagern Sie das Gerät trocken und staubfrei!
- Lagerungstemperatur: 5 bis +55 °C

14. ENTSORGUNG

→ Entsorgen Sie das Gerät und die Verpackung umweltgerecht.

HINWEIS!

Umweltschäden durch von Medien kontaminierte Geräteteile.

- Geltenden Entsorgungsvorschriften und Umweltbestimmungen einhalten.



Hinweis:

Beachten Sie die nationalen Abfallbeseitigungsvorschriften.

Transmetteur de débit d'eau Type 8081

Sommaire :

1. A PROPOS DE CE MANUEL	5	6. CARACTÉRISTIQUES TECHNIQUES	13
1.1. Symboles utilisés.....	5	6.1. Conditions d'utilisation.....	13
2. UTILISATION CONFORME	6	6.2. Conformité aux normes et directives.....	13
2.1. Restrictions	6	6.3. Caractéristiques techniques générales	13
2.2. Mauvaise utilisation prévisible.....	6	6.3.1. Caractéristiques mécaniques.....	13
3. CONSIGNES DE SÉCURITÉ DE BASE	7	6.3.2. Caractéristiques générales.....	14
4. INFORMATIONS GÉNÉRALES	8	6.3.3. Caractéristiques électriques.....	15
4.1. Contenu de la livraison	8	6.3.4. Raccordements électriques.....	16
4.2. Garantie.....	8	7. MONTAGE	16
4.3. Informations sur internet	9	7.1. Consignes de sécurité	16
5. DESCRIPTION	9	7.2. Montage du 8081	17
5.1. Secteur d'application	9	8. INSTALLATION ET CÂBLAGE	17
5.2. Description générale.....	9	8.1. Consignes de sécurité	17
5.2.1. Construction.....	9	8.2. Installation sur la canalisation	18
5.2.2. Élément et principe de mesure	10	8.3. Câblage électrique	19
5.3. Description de l'étiquette.....	10	8.3.1. Assembler le connecteur femelle M12 (réfé-	20
5.4. Références de commande.....	11	rence de commande 438680).....	
		8.3.2. Câblage de l'embase M12 mâle.....	21

8.3.3. Raccordement de la sortie impulsion	21
8.3.4. Raccordement de la sortie courant seule.....	22
8.3.5. Raccordement de la sortie courant et de la sortie impulsion.....	22
9. MISE EN SERVICE.....	23
9.1. Consignes de sécurité	23
10. RÉGLAGE ET FONCTIONNALITÉS.....	23
10.1. Consignes de sécurité	23
10.2. Réglage du 8081	23
11. MAINTENANCE.....	24
11.1. Consignes de sécurité.....	24
11.2. Entretien.....	24
12. EMBALLAGE, TRANSPORT	25
13. STOCKAGE	25
14. ELIMINATION DE L'APPAREIL.....	26

1. A PROPOS DE CE MANUEL

Ce manuel décrit le cycle de vie complet de l'appareil. Conservez-le de sorte qu'il soit accessible à tout utilisateur et à disposition de tout nouveau propriétaire.

Ce manuel contient des informations importantes relatives à la sécurité.

Le non-respect de ces consignes peut entraîner des situations dangereuses.

- Ce manuel doit être lu et compris.

1.1. Symboles utilisés



DANGER

Met en garde contre un danger imminent.

- Son non-respect peut entraîner la mort ou de graves blessures.



AVERTISSEMENT

Met en garde contre une situation éventuellement dangereuse.

- Son non-respect peut entraîner de graves blessures, voire la mort.



ATTENTION

Met en garde contre un risque éventuel.

- Son non-respect peut entraîner des blessures légères ou de gravité moyenne.

REMARQUE

Met en garde contre des dommages matériels.

- Son non-respect peut entraîner des dommages sur l'appareil ou l'installation.



désigne des informations supplémentaires, des conseils ou des recommandations importants pour votre sécurité et le fonctionnement parfait de l'appareil.



renvoie à des informations contenues dans ce manuel ou dans d'autres documents.

→ indique une opération à effectuer.

2. UTILISATION CONFORME

L'utilisation non conforme du transmetteur de débit à ultrasons peut présenter des dangers pour les personnes, les installations proches et l'environnement.

- Le transmetteur 8081 est exclusivement destiné à la mesure du débit dans de l'eau ou des liquides neutres.
- Si possible, éviter de placer cet appareil à proximité de perturbations électromagnétiques,
- Cet appareil doit être protégé contre les rayons ultraviolets et, lorsqu'il est installé à l'extérieur, des effets des conditions climatiques.
- Cet appareil doit être utilisé conformément aux caractéristiques et conditions de mise en service et d'utilisation indiquées dans les documents contractuels et dans le manuel utilisateur.
- L'appareil ne peut être utilisé qu'en association avec les appareils et composants recommandés et/ou homologués par Bürkert.
- L'utilisation en toute sécurité et sans problème de l'appareil repose sur un transport, un stockage et une installation corrects ainsi que sur une utilisation et une maintenance effectuées avec soin.
- Veiller à toujours utiliser cet appareil de façon conforme.

2.1. Restrictions

Respecter les restrictions éventuelles lorsque l'appareil est exporté.

2.2. Mauvaise utilisation prévisible

- Le transmetteur de débit à ultrasons type 8081 ne doit pas être utilisé dans une atmosphère explosible.
- Ne pas utiliser de fluide incompatible avec les matériaux composant le transmetteur.
- Ne pas soumettre l'appareil à des charges mécaniques (par ex. en y déposant des objets ou en l'utilisant comme marchepied).
- N'apporter aucune modification extérieure sur l'appareil. Ne laquer aucune pièce de l'appareil.

3. CONSIGNES DE SÉCURITÉ DE BASE

Ces consignes de sécurité ne tiennent pas compte :

- des imprévus pouvant survenir lors du montage, de l'utilisation et de l'entretien des appareils.
- des prescriptions de sécurité locales que l'exploitant est tenu de faire respecter par le personnel chargé du montage.



Danger dû à la haute pression.

Danger dû à des températures élevées du fluide.

Danger dû à la tension électrique.



Situations dangereuses diverses.

Pour éviter toute blessure, veiller à :

- empêcher toute mise sous tension.
- ce que les travaux d'installation et de maintenance soient effectués par du personnel qualifié et habilité disposant des outils appropriés.
- garantir un redémarrage défini et contrôlé du process, après une coupure de l'alimentation électrique
- n'utiliser l'appareil qu'en parfait état et en tenant compte des indications du manuel utilisateur.
- respecter les règles générales de la technique lors de la planification et de l'utilisation de l'appareil.

REMARQUE

Éléments / Composants sensibles aux décharges électrostatiques

- Cet appareil contient des composants électroniques sensibles aux décharges électrostatiques. Ils peuvent être endommagés lorsqu'ils sont touchés par une personne ou un objet chargé électro-statiquement. Dans le pire des cas, ils sont détruits instantanément ou tombent en panne sitôt effectuée la mise en route.
- Pour réduire au minimum voire éviter tout dommage dû à une décharge électrostatique, prenez toutes les précautions décrites dans la norme EN 100 015-1.
- Veiller également à ne pas toucher les composants électriques sous tension.



Le transmetteur de débit à ultrasons type 8081 a été développé en intégrant les techniques de sécurité reconnues et est conforme à l'état de la technique. Tout danger n'est cependant pas écarté.

Le non-respect de ces consignes ainsi que toute intervention non autorisée sur l'appareil excluent toute responsabilité de notre part et entraînent la nullité de la garantie pour l'appareil et les accessoires.

4. INFORMATIONS GÉNÉRALES

4.1. Contenu de la livraison

Dès réception de la marchandise, assurez-vous que le contenu de la livraison n'a subi aucun dommage et qu'il correspond parfaitement au bon de livraison ou à la liste des colis.

En cas d'irrégularité, prenez immédiatement contact avec nous.

Les adresses des filiales internationales figurent sur les dernières pages de ce manuel.

Également sur internet sous :

www.burkert.com → Bürkert → Company → Locations

4.2. Garantie

La condition pour bénéficier de la garantie légale est l'utilisation conforme du 8081 dans le respect des conditions d'utilisation spécifiées dans le présent manuel. Les modalités de la garantie éventuelle sont régies par nos conditions générales de vente.



La garantie légale ne couvre que les éventuels défauts du transmetteur de débit d'eau 8081 et de ses composants.

La société Bürkert n'est aucunement responsable d'une quelconque perte ou détérioration liée au produit, au service, à cette garantie ou autre, y compris des pertes financières ou intangibles, le prix payé pour le produit, une perte de bénéfices, de revenus, de données, de jouissance ou d'utilisation du produit ou de tout produit associé, une perte ou une dégradation indirecte ou fortuite.

En cas de divergences d'interprétation et de compréhension de ce paragraphe 4.2, seule la version française fait foi.

4.3. Informations sur internet

Retrouver sur internet les manuels utilisateurs et les fiches techniques relatives au type 8081 sous :

www.burkert.fr → Fiches techniques → Fiches techniques ou Manuels d'utilisation / Agréments → Type 8081

Le manuel complet peut être commandé sous la référence : 00560456

5. DESCRIPTION

5.1. Secteur d'application

Le transmetteur de débit à ultrasons type 8081 est destiné à la mesure du débit d'eau, pouvant être légèrement chargée.

5.2. Description générale

5.2.1. Construction

Le transmetteur de débit à ultrasons 8081 se compose d'un module électronique et d'un raccord en laiton avec tube de mesure intégré. Associé à un régulateur et une vanne de commande, il permet d'établir une boucle de régulation de débit.

Le raccordement électrique s'effectue via une embase M12 mâle, 5 broches.

Le transmetteur est pourvu, suivant la version :

- d'une sortie impulsion ou
- d'une sortie impulsion et d'une sortie courant 4-20 mA

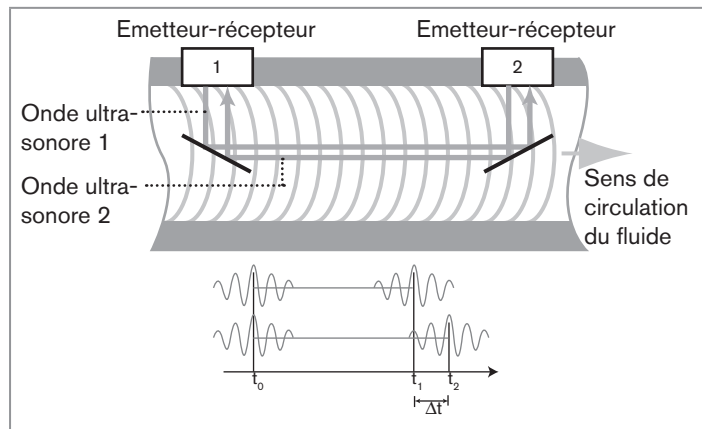
Chaque version est disponible pour 5 plages de débit différentes :

- modèle QN 0,6 DN15 : 0,06 à 20 l/min
(débit nominal 0,6 m³/h soit 10 l/min)
- modèle QN 1,5 DN15 : 0,1 à 50 l/min
(débit nominal 1,5 m³/h soit 25 l/min)
- modèle QN 2,5 DN20 : 0,16 à 82 l/min
(débit nominal 2,5 m³/h soit 41 l/min)

- modèle QN 3,5 DN25 : 0,6 à 116 l/min
(débit nominal 3,5 m³/h soit 58 l/min)
- modèle QN 6 DN25 : 1 à 200 l/min
(débit nominal 6 m³/h soit 100 l/min)

5.2.2. Élément et principe de mesure

Le débitmètre 8081 utilise la méthode de temps de transit. Celle-ci consiste à mesurer les temps de propagation d'ondes ultrasonores de l'émetteur 1 vers le récepteur 2 et de l'émetteur 2 vers le récepteur 1 puis de comparer les 2 valeurs. La différence de temps de transit ainsi calculée est directement proportionnelle à la vitesse du fluide.

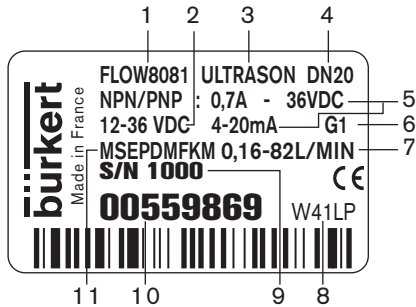


Le module électronique délivre ensuite un signal impulsionnel proportionnel au volume ou un signal normalisé 4-20mA, proportionnel au débit ou à la température.

5.3. Description de l'étiquette

1. Grandeur mesurée, type de débitmètre
2. Tension d'alimentation
3. Principe de mesure
4. Diamètre nominal
5. Sortie
6. Raccordement process
7. Plage de débit
8. Code fabricant
9. Numéro de série
10. Référence de commande
11. Matériaux corps, joint

Type 8081
Description



5.4. Références de commande

QN	DN	Plage de débit	Raccordement	Sorties	Référence de commande
0,6	15	0,06 à 20 l/min	Fileté G 3/4"	Impulsion, NPN	560131
				Impulsion, PNP + 4-20 mA, source	560113
			Fileté NPT 3/4"	Impulsion, NPN	560612
				Impulsion, PNP + 4-20 mA, source	560617
1,5	15	0,1 à 50 l/min	Fileté G 3/4"	Impulsion, NPN	559865
				Impulsion, PNP + 4-20 mA, source	559868
			Fileté NPT 3/4"	Impulsion, NPN	560613
				Impulsion, PNP + 4-20 mA, source	560618

QN	DN	Plage de débit	Raccordement	Sorties	Référence de commande
2,5	20	0,16 à 82 l/min	Fileté G 1"	Impulsion, NPN	559866
				Impulsion, PNP + 4-20 mA, source	559869
			Fileté NPT 1"	Impulsion, NPN	560614
				Impulsion, PNP + 4-20 mA, source	560619
3,5	25	0,6 à 116 l/min	Fileté G 1 1/4"	Impulsion, NPN	559867
				Impulsion, PNP + 4-20 mA, source	559870
			Fileté NPT 1 1/4"	Impulsion, NPN	560615
				Impulsion, PNP + 4-20 mA, source	560620

QN	DN	Plage de débit	Raccordement	Sorties	Référence de commande
6	25	1 à 200 l/min	Fileté G 1 1/4"	Impulsion, NPN	560132
				Impulsion, PNP + 4-20 mA, source	560114
			Fileté NPT 1 1/4"	Impulsion, NPN	560616
				Impulsion, PNP + 4-20 mA, source	560621

6. CARACTÉRISTIQUES TECHNIQUES

6.1. Conditions d'utilisation

Température ambiante : 5 à +55 °C

Température de stockage : 5 à +55 °C

Humidité de l'air : < 80%, non condensée

Indice de protection : IP65 avec connecteur femelle enfiché et serré

6.2. Conformité aux normes et directives

CEM : EN61000-6-3, 61000-6-2

Tenue aux vibrations : EN 60068-2-6

Tenue aux chocs : EN 60068-2-27.

Pression: conforme à l'article 3 du §3 de la directive 97/23/CE.

Pour la directive pression 97/23/CE, le produit ne peut être utilisé que dans les cas suivants (en fonction de la pression max, du DN de la conduite et du fluide)

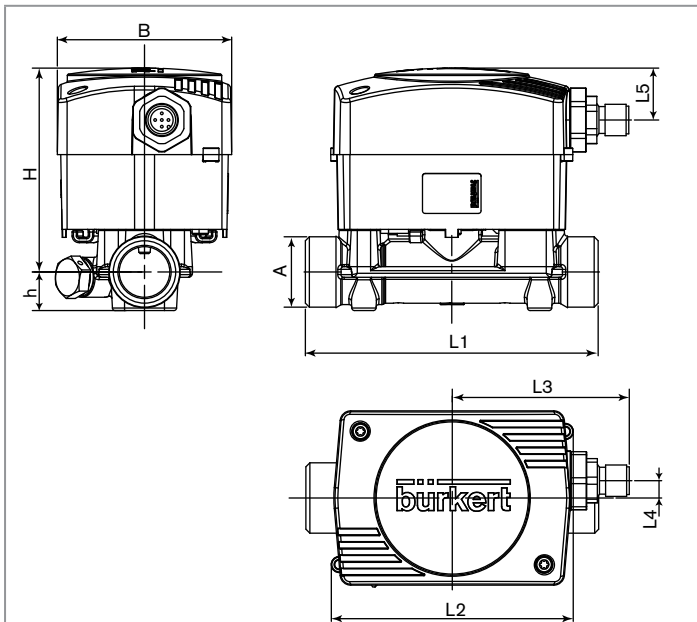
Type du fluide	Conditions
Fluide groupe 1, §1.3.a	Interdit
Fluide groupe 2, §1.3.a	Permis ($PN \cdot DN \leq 1000$)
Fluide groupe 1, §1.3.b	Interdit
Fluide groupe 2, §1.3.b	Permis

6.3. Caractéristiques techniques générales

6.3.1. Caractéristiques mécaniques

Élément	Matériau
Boîtier, couvercle	PPS
Joint en contact avec l'environnement	Silicone
Connecteur M12	PA
Raccord	Laiton
Tube de mesure	PES
Joint en contact avec le fluide	EPDM, FKM

Dimensions [mm]



DN	A	B	H	h	L1	L2	L3	L4	L5
15	G ou NPT 3/4"	65,5	83,5	23	110	90	58	6,5	19,5
20	G ou NPT 1"	65,5	79	18	130	90	58	6,5	19,5
25	G ou NPT 1 1/4"	65,5	76,5	14,5	260	90	58	6,5	19,5

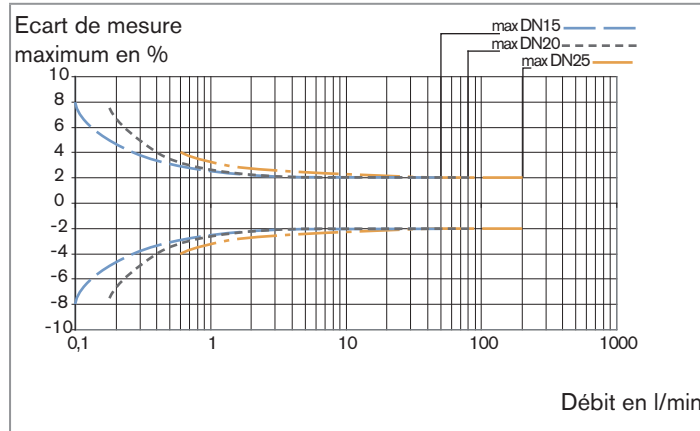
6.3.2. Caractéristiques générales

Diamètre des conduites	DN15 à DN25
Type du fluide	Eau (liquides neutres sur demande)
Température du fluide	5 à 90 °C
Pression du fluide	PN 16
Plage de mesure	0,06 à 200 l/min
Précision (voir courbes page suivante)	± (0.01 % de la Pleine échelle* + 2% de la valeur mesurée) ¹⁾
Répétabilité	1% de la valeur mesurée
Élément de mesure	2 cellules émettrices-réceptrices à ultrasons

* Pleine échelle, cf. étendue des mesures sur le diagramme de précision de la mesure

¹⁾ Dans les conditions de référence, à savoir : fluide = eau, température ambiante et de l'eau = 20 °C,

Précision de la mesure



6.3.3. Caractéristiques électriques

Tension d'alimentation (V+)	12-36 VDC
Consommation en courant	<ul style="list-style-type: none"> ▪ Consommation propre : < 4 mA ▪ Consommation avec charge : < 1A
Sortie impulsion (transistor)	<ul style="list-style-type: none"> ▪ version sans sortie courant ▪ version avec sortie courant ▪ NPN par défaut ; (PNP sur demande), collecteur ouvert, 5 mA min., 700 mA max., sortie NPN : 0,2-36 VDC ▪ PNP par défaut ; (sur demande : NPN pour la sortie impulsion et mode puits pour la sortie courant), collecteur ouvert, 5 mA min., 700 mA max., sortie PNP : tension d'alimentation (V+) <p>Pour QN=0,6 ou 1,5 : 1 impulsion correspond à un volume = 0,002 l (Facteur K = 500 impulsions/litre) Pour QN=2,5 ou 3,5 : 1 impulsion correspond à un volume = 0,005 l (Facteur K = 200 impulsions/litre) Pour QN=6 : 1 impulsion correspond à un volume = 0,01 l (Facteur K = 100 impulsions/litre)</p>

Protection contre : l'inversion de polarité les pics de tension les courts-circuits	oui oui oui, pour la sortie impulsion
Sortie courant	4-20 mA (mode source par défaut ; sur demande : mode puits pour la sortie courant et mode NPN pour la sortie transistor). La plage 4-20 mA correspond à la plage de débit du modèle sélectionné (par défaut) ou à une plage de température (sur demande) Résistance de boucle max. : 1100 Ω à 36 V DC 610 Ω à 24 V DC 100 Ω à 12 V DC
Type de câble recommandé	section max. de 1,5 mm ²

6.3.4. Raccordements électriques

Version du débitmètre	Type de connecteur femelle
Toutes	connecteur femelle M12, 5 broches (disponible en accessoire ; référence de commande : 438680)

7. MONTAGE

7.1. Consignes de sécurité



DANGER

Risque de blessure dû à la présence de haute pression dans l'installation.

- Couper la pression et dépressuriser les conduites avant de desserrer les conduites et les raccords.

Risque de blessure par décharge électrique.

- Couper l'alimentation électrique avant d'intervenir sur l'installation et s'assurer qu'elle reste coupée.
- Respecter les règles en vigueur en matière de prévention des accidents et de sécurité relatives aux appareils électriques.



AVERTISSEMENT

Risque de blessure dû à un montage non conforme.

- Le montage doit être effectué uniquement par du personnel qualifié et habilité, disposant des outils appropriés.

Risque de blessure dû à une mise sous tension involontaire de l'installation et un redémarrage incontrôlé.

- Protéger l'installation contre toute mise sous tension involontaire.
- Garantir un redémarrage contrôlé de l'installation, après montage de l'appareil.

7.2. Montage du 8081

REMARQUE

Lorsque le couvercle est retiré, le transmetteur risque d'être endommagé si un élément entre en contact avec l'électronique et son étanchéité ne sera pas assurée.

- Ne pas démonter l'appareil

8. INSTALLATION ET CÂBLAGE

8.1. Consignes de sécurité



DANGER

Risque de blessure dû à la présence de haute pression dans l'installation.

- Couper la pression et dépressuriser les conduites avant de desserrer les conduites et les raccords.

Risque de blessure par décharge électrique.

- Couper l'alimentation électrique avant d'intervenir sur l'installation et s'assurer qu'elle reste coupée.
- Respecter les règles en vigueur en matière de prévention des accidents et de sécurité relatives aux appareils électriques.



AVERTISSEMENT

Risque de blessure dû à une installation non conforme.

- L'installation électrique et fluïdique ne peut être effectuée que par du personnel habilité et qualifié, disposant des outils appropriés
- Utiliser impérativement les dispositifs de sécurité adaptés (fusible correctement dimensionné et/ou coupe-circuit)
- Utiliser des câbles ayant une température limite de fonctionnement adaptée à votre application.
- Dans des conditions normales d'utilisation, du câble de section 0,75 mm² suffit à la transmission du signal.

Risque de blessure dû à une mise sous tension involontaire de l'installation et un redémarrage incontrôlé.

- Protéger l'installation contre toute mise sous tension involontaire.
- Garantir un redémarrage contrôlé de l'installation, après montage de l'appareil.

8.2. Installation sur la canalisation

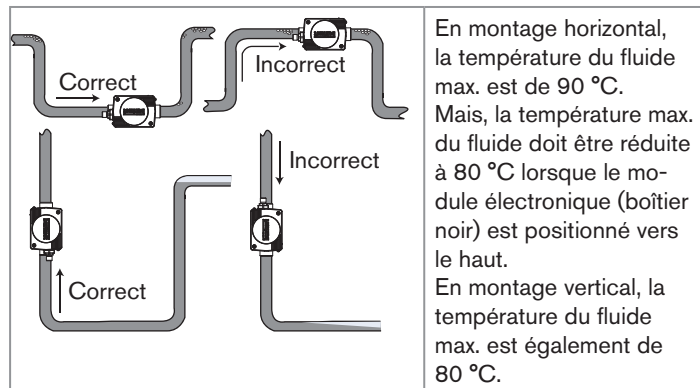


DANGER

Risque de blessure dû à la présence de haute pression dans l'installation.

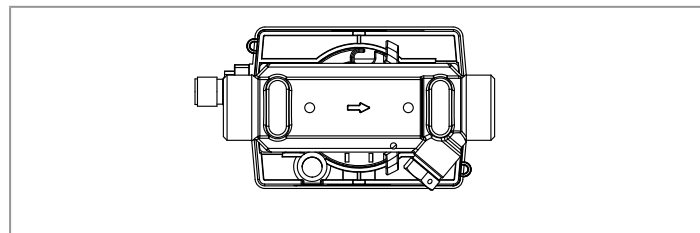
- Couper la pression et dépressuriser les conduites avant de desserrer les conduites et les raccords.

Le transmetteur de débit à ultrasons 8081 peut être installé sur une conduite horizontale ou verticale.



En montage horizontal, la température du fluide max. est de 90 °C. Mais, la température max. du fluide doit être réduite à 80 °C lorsque le module électronique (boîtier noir) est positionné vers le haut. En montage vertical, la température du fluide max. est également de 80 °C.

→ **Veiller à respecter le sens du passage du fluide dans la conduite.** Il doit être identique au sens de la flèche, marquée sur le dessous du raccord.



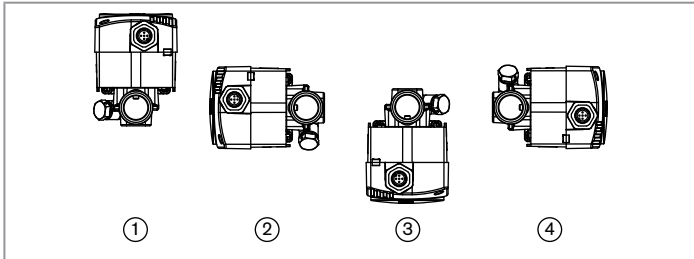
Type 8081

Installation et câblage

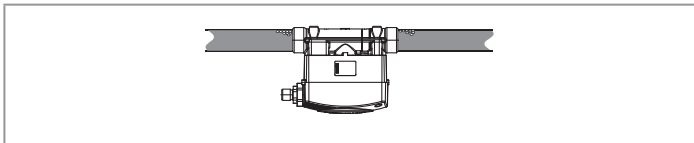


Par contre, il convient d'éviter de placer le transmetteur 8081 à proximité de toute source de perturbations électromagnétiques (commutateur, moteur électrique, lampe fluorescente, ...).

Des distances amont et aval minimales ne sont pas nécessaires. Le 8081 fonctionne correctement lorsque la canalisation est remplie et exempte de bulles d'air à proximité du transmetteur. En présence de bulles dans la canalisation, la position 1 est à proscrire.



Si l'absence de bulles ne peut pas être garantie, l'appareil doit être monté sur une canalisation horizontale, module électronique vers le bas. Ainsi, les bulles ne perturberont pas la circulation des ondes ultrasonores.



REMARQUE

Lors du montage de l'appareil sur la conduite, l'embase M12 peut être endommagée.

Si l'embase M12 est endommagée, l'appareil risque d'être inutilisable.

- Veiller à ne pas endommager l'embase M12, lors du montage de l'appareil sur la conduite.

8.3. Câblage électrique



DANGER

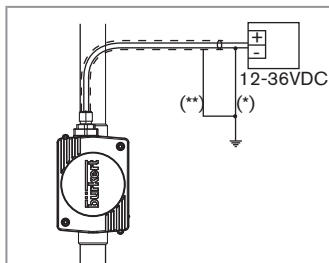
Risque de blessure par décharge électrique.

- Couper l'alimentation électrique avant d'intervenir sur l'installation et s'assurer qu'elle reste coupée.
- Ne pas installer le câble à proximité de câbles haute tension ou haute fréquence.
- Si une pose contiguë est inévitable, respecter une distance minimale de 30 cm.
- Respecter les règles en vigueur en matière de prévention des accidents et de sécurité relatives aux appareils électriques.



L'alimentation doit être filtrée et régulée.

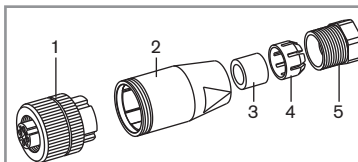
- Assurer l'équipotentialité de l'installation (alimentation - 8081) :
- Raccorder les différentes terres de l'installation les unes aux autres afin de supprimer les différences de potentiel pouvant se créer entre deux terres.
- Relier correctement le blindage du câble à la terre. Raccorder la borne négative de l'alimentation à la terre pour supprimer les effets des courants de mode commun. Si cette liaison n'est pas réalisable directement, un condensateur de 100 nF/50 V peut être branché entre la borne négative de l'alimentation et la terre.



(*) Si une mise à la terre directe est impossible, brancher un condensateur de 100 nF/50 V entre la borne négative de l'alimentation et la terre.

(**) Si votre câble est blindé.

8.3.1. Assembler le connecteur femelle M12 (référence de commande 438680)



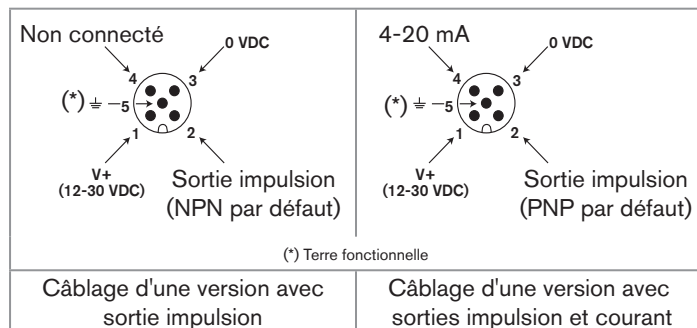
- Dévisser complètement le bornier [1]
- Séparer le corps [2].
- Dévisser l'écrou de serrage [5].
- Passer les câbles dans l'écrou de serrage [5], puis dans l'anneau de serrage [4] et la rondelle d'étanchéité [3], et enfin dans le corps [2].
- Câbler le bornier [1] (voir 8.3.2, 8.3.3, 8.3.4 ou 8.3.5)
- Visser le bornier [1] sur le corps [2].
- Insérer la rondelle d'étanchéité [3] et l'anneau de serrage [4] dans le corps [2].
- Visser l'écrou de serrage [5].

Type 8081

Installation et câblage

8.3.2. Câblage de l'embase M12 mâle

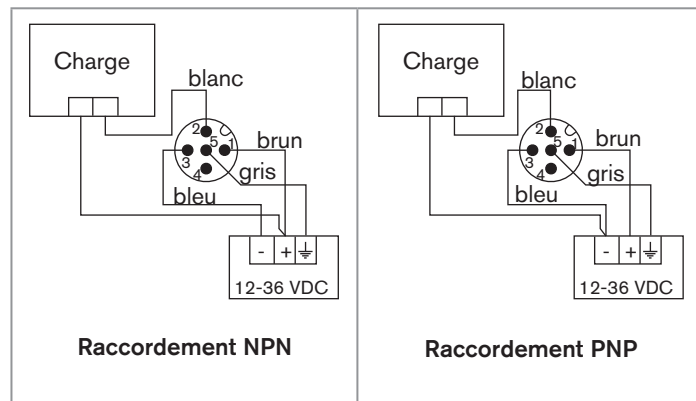
→ Dévisser le capuchon de protection de l'embase



Broche du connecteur M12 avec câble 2 m disponible en accessoire (réf. de commande 438680)	Couleur du conducteur
1	brun
2	blanc
3	bleu
4	noir
5	gris

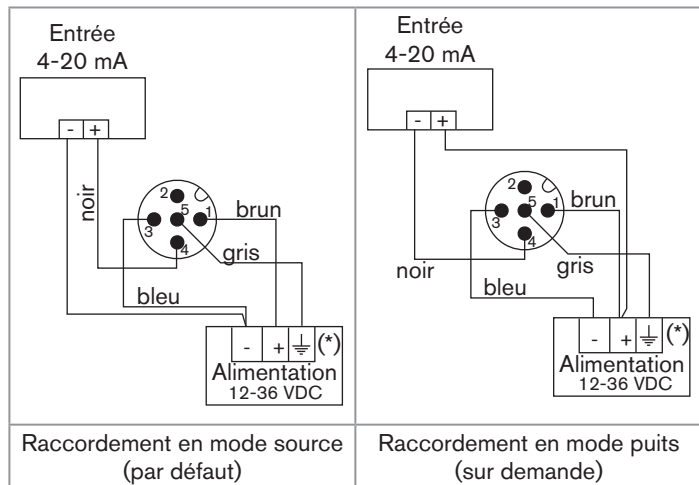
8.3.3. Raccordement de la sortie impulsion

La sortie impulsion se raccorde en mode NPN (par défaut sur une version sans sortie courant) ou en mode PNP (par défaut sur une version avec sortie courant).



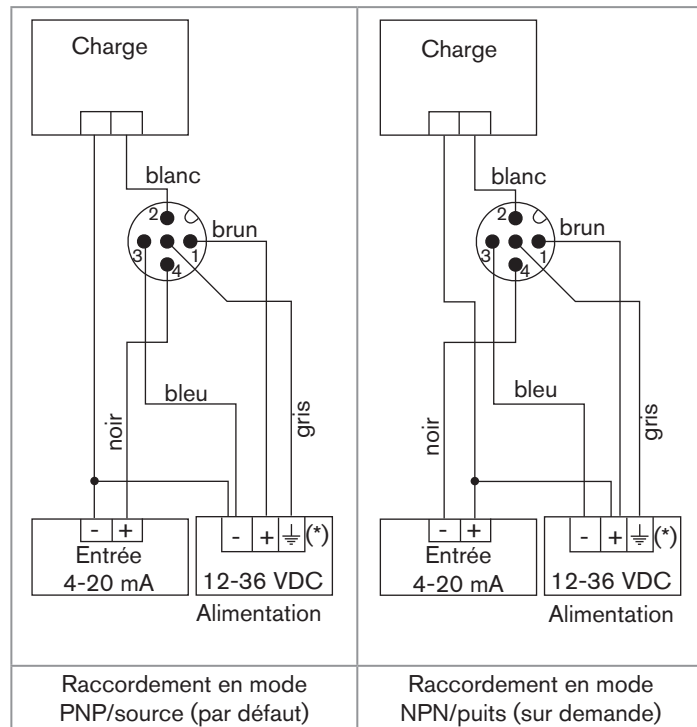
8.3.4. Raccordement de la sortie courant seule

La sortie courant, si elle existe, se raccorde en mode source (par défaut) ou en mode puits (sur demande).



(*) Si une mise à la terre directe est impossible, brancher un condensateur de 100 nF/50 V entre la borne négative de l'alimentation et la terre.

8.3.5. Raccordement de la sortie courant et de la sortie impulsion



(*) Si une mise à la terre directe est impossible, brancher un condensateur de 100 nF/50 V entre la borne négative de l'alimentation et la terre.

9. MISE EN SERVICE

9.1. Consignes de sécurité



AVERTISSEMENT

Risque de blessure dû à une mise en service non conforme.

La mise en service non conforme peut entraîner des blessures et endommager l'appareil et son environnement.

- S'assurer avant la mise en service que le personnel qui en est chargé a lu et parfaitement compris le contenu de ce manuel.
- Respecter en particulier les consignes de sécurité et l'utilisation conforme.
- L'appareil / l'installation ne doit être mis(e) en service que par du personnel suffisamment formé.
- Protéger l'appareil contre les perturbations électromagnétiques, les rayons ultraviolets et, lorsqu'il est installé à l'extérieur, des effets des conditions climatiques.

10. RÉGLAGE ET FONCTIONNALITÉS

10.1. Consignes de sécurité



AVERTISSEMENT

Risque de blessure dû à un réglage non conforme.

- Les opérateurs chargés du réglage doivent avoir pris connaissance et compris le contenu de ce manuel.
- Respecter en particulier les consignes de sécurité et l'utilisation conforme.
- L'appareil / l'installation doit être réglé(e) par un personnel suffisamment formé.

10.2. Réglage du 8081

- Sortie impulsion :

La sortie impulsion délivre une fréquence proportionnelle à un volume.

Une impulsion est générée à chaque passage d'un volume déterminé, soit $V = 0,002$ litre (versions QN = 0,6 ou 1,5) soit $V = 0,005$ litre (versions QN = 2,5 ou 3,5) soit $V = 0,01$ litre (versions QN = 6).

- Sortie courant :

La sortie courant, si elle existe, est pré-programmée sur la plage de courant correspondant à la plage de débit du modèle 8081 sélectionné (QN0,6 ; QN1,5 ; QN 2,5 ; QN 3,5 ou QN6).

11. MAINTENANCE

11.1. Consignes de sécurité



DANGER

Risque de blessure dû à la présence de haute pression dans l'installation.

- Couper la pression et dépressuriser les conduites avant de desserrer les conduites et les raccords.

Risque de blessure par décharge électrique.

- Couper l'alimentation électrique avant d'intervenir sur l'installation et s'assurer qu'elle reste coupée.
- Respecter les règles en vigueur en matière de prévention des accidents et de sécurité relatives aux appareils électriques.



AVERTISSEMENT

Danger dû à une maintenance non conforme.

- Ces travaux doivent être effectués uniquement par du personnel qualifié et habilité, disposant des outils appropriés.
- Après toute coupure de l'alimentation électrique, garantir un redémarrage défini ou contrôlé du process

11.2. Entretien

Le débitmètre 8081 peut être nettoyé à l'eau ou avec un produit compatible avec les matériaux qui le composent.

Votre fournisseur Bürkert reste à votre entière disposition pour tous renseignements complémentaires.

12. EMBALLAGE, TRANSPORT

REMARQUE

Dommmages dûs au transport

Le transport peut endommager un appareil insuffisamment protégé.

- Transporter l'appareil dans un emballage résistant aux chocs, à l'abri de l'humidité et des impuretés.
- Éviter les effets de la chaleur et du froid pouvant entraîner le dépassement de la plage de température de stockage.
- Protéger les interfaces électriques à l'aide de bouchons de protection.

13. STOCKAGE

REMARQUE

Un mauvais stockage peut endommager l'appareil.

- Stocker l'appareil dans un endroit sec et à l'abri de la poussière.
- Température de stockage : 5 à +55 °C.

14. ELIMINATION DE L'APPAREIL

→ Éliminer l'appareil et l'emballage dans le respect de l'environnement.

REMARQUE

Dommages à l'environnement causés par des pièces contaminées par des fluides

- Respecter les prescriptions en vigueur en matière d'élimination des déchets et de protection de l'environnement.



Remarque :

Respecter les prescriptions nationales en matière d'élimination des déchets .

