

FINE CONTROLS (UK) LTD



Fine Controls have been supplying process controls & instrumentation equipment since 1994, & now serves an ever expanding customer base, both in the UK & globally.

We offer a full range of valve & instrumentation products & services, with our product range representing leading technologies & brands:

Flow: Flow Meters & Transmitters, Flow Switches, Flow Control Valves & Batch Control Systems

Temperature: Temperature Probes & Thermowells, Temperature transmitters, Temperature Regulators & Temperature Displays

Level: Level Transmitters & Switches

Pressure: Pressure Gauges & Transmitters, Precision & High Pressure Regulators & I-P Converters, Volume boosters.

Precision Pneumatics: Pressure Regulators, I-P Converters, Volume Boosters, Vacuum Regulators

Valves: Solenoid & Pneumatic Valves, Control Valves & Positioners, Actuated Ball, Globe or Diaphragm Valves & Isolation Valves

Services: Repair, Calibration, Panel Build, System Design & Commissioning

A rotork® Brand
FAIRCHILD



bürkert



SIEMENS



alcon
SOLENOID VALVES

A rotork® Brand



MIDLAND-ACS
A rotork® Brand



Honeywell



Bourdon
Baumer Group



SOLDO
CONTROLS

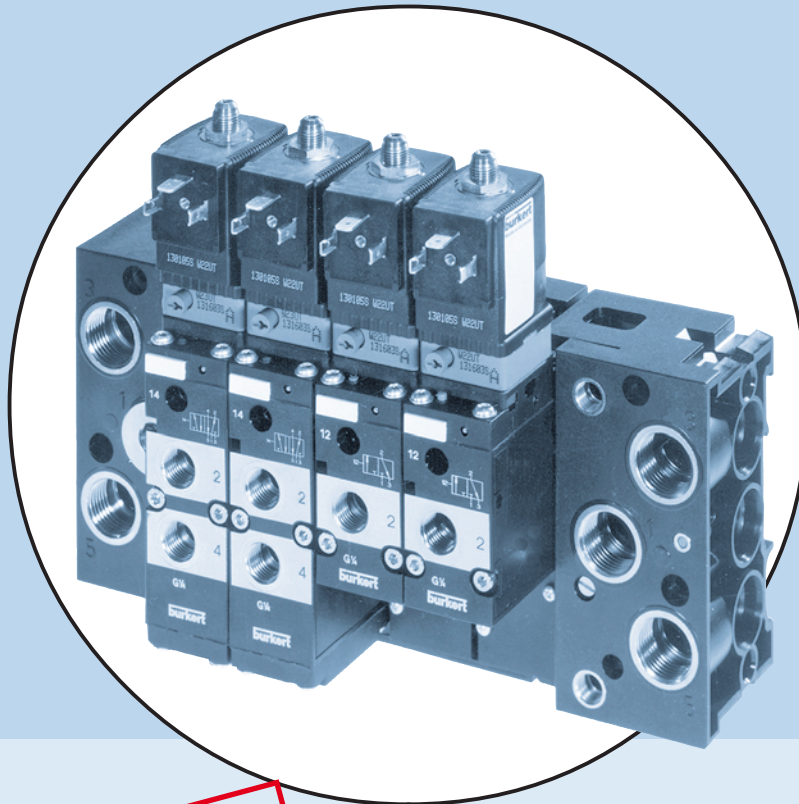
A rotork® Brand



Fine Controls (UK) LTD, Bassendale Road, Croft Business Park,
Bromborough, Wirral, CH62 3QL UK
Tel: 0151 343 9966
Email: sales@finecontrols.com

Operating Instructions

Bedienungsanleitung
Instructions de Service



**Voltage 12V or 24V
UL / UR valid with
class 2 power supply only**

Type 6518 / 6519

Block Assemblies and Modular Pneumatic
Basic Rail Type MP07

Mehrfachblöcke und modulare,
pneumatische Grundschiene Type MP07

Blocs multiples et Profil pneumatique
modulaire Type MP07

We reserve the right to make technical changes without notice.
Technische Änderungen vorbehalten.
Sous réserve de modification techniques.

© 2000 Bürkert Werke GmbH & Co. KG

Operating Instructions 0507/12_EU-ML_00803150

Contents of the Operating Instructions for the Block Assemblies Type 6518 / 6519 and Modular Pneumatic Basic Rail Type Type MP07

english

Voltage 12V or 24V
UL / UR valid with
class 2 power supply only

GENERAL NOTES	3
Symbols	4
Safety notes	4
Warranty conditions	5
 TECHNICAL DESCRIPTION	 7
Valve Constructions	8
Valve operations of the Type 6518 / 6519	8
Media	9
Electrical connections	9
Example of a block assembly	10
 INSTALLATION, INITIALISATION AND SERVICE	 11
General notes	12
Setting up block assemblies using the modular pneumatic rail type MP07	12
Dismantling the module	13
Other possible uses of the connecting module, - right-hand -	13
Mounting the valve block	13
Mounting single valves	15
Measures to be taken before putting into service	16
Pulse operation	16
Faults	17

MAN 1000010050 ML Version: H Status: RL (released | freigegeben) printed: 19.07.2010

english

MAN 1000010050 ML Version: H Status: RL (released | freigegeben) printed: 19.07.2010

GENERAL NOTES

Symbols	4
Safety notes	4
Warranty conditions	5

Symbols

In these Operating Instructions, the following symbols are used:

→ indicates a working step that you will have to carry out



ATTENTION!

indicates information which must be followed. Failure to do this could endanger your health or the functionality of the device



NOTE

indicates important additional information, tips and recommendations

Safety notes



To ensure that the device will function correctly, and have a long service life, please comply with the information in these Operating Instructions, as well as with the application conditions and additional data given in the Type 6518 and 6519 data sheet:

- When planning the application of the device, and during its operation, observe the general technical rules!
- Observe the relevant accident prevention and safety regulations applicable for electrical equipment throughout the operation, maintenance and repair of the device!
- Always switch off the voltage supply before working on the system!
- Note that lines and valves must not be unscrewed from systems that are under pressure!
- Take suitable measures to prevent unintentional operation or impermissible impairment!
- If these instructions are ignored, no liability will be accepted from our side, and the guarantee on the device and on accessories will become invalid!



NOTE

Approvals such as Ex, UL, UR, CSA, DVGW etc., will be indicated on the rating plate, or by a special label.
With devices with approval according to Service Requirement Category AK 5, either purified control air must be used or a sieve with a maximum mesh width of 1 mm must be installed upstream.

If there are discrepancies, please contact immediately your Bürkert subsidiary or our customer service.

Bürkert Steuer- und Regelungstechnik, Service-Abteilung

Chr.-Bürkert-Str. 13-17, D-76453 Ingelfingen

Tel.: (07940) 10-111

Fax: (07940) 10-448

eMail: info@de.buerkert.com

Warranty conditions

This document contains no warranty statements. In this connection we refer to our general sales and business conditions. A prerequisite for validity of the warranty is unse of the device as intended with observance of the specified conditions of use.

**ATTENTION!**

The warranty covers only faultless condition of the Block Assemblies Type 6518,6519 and Modular Pneumatic Basic Rails Type MP07. No liability will be accepted for consequent damage of any kind that max arise form failure or malfunctioning of the device.

english

MAN 1000010050 ML Version: H Status: RL (released | freigegeben) printed: 19.07.2010

TECHNICAL DESCRIPTION

Valve Constructions	8
Valve operations of the Type 6518 / 6519	8
Media	9
Electrical connections	9
Example of a block assembly	10

Valve Constructions

- 3/2 way pilot valve with various electrical connection possibilities
- the top-mounted coil can be locked in 4 x 90° steps, for optional positioning in between around the core guide tube
- valve body with diaphragm and seat seals (3/2 and 5/2), or with gate valve (5/3)
- working connections 2 (B) / 4 (A) and supply and ventilation connections 1 (P) / 3 (S) / 5 (R) with G 1/4 internal thread or plug connection for 8 mm hose external diameter
- the valves can be mounted on the modular pneumatic basic rail Type MP07
- can be mounted in any position, preferably with the magnetic system at the top



the valves are also available in explosion-proof versions



NOTE

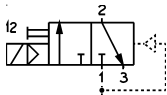
Plug-in connections only for the service ports 2 (B) and 4 (A).
The valves require no maintenance.

english

MAN 1000010050 ML Version: H Status: RL (released | freigegeben) printed: 19.07.2010

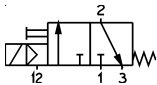
Valve operations of the Type 6518 / 6519

3/2 way valve:



In de-energised position, Pressure Inlet 1 closed, Outlet Port 2 exhausted

3/2 way valve for vacuum, with auxiliary pilot air:



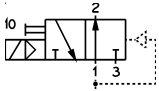
In de-energised position, Pressure Inlet 1 closed, Outlet Port 2 exhausted



ATTENTION!

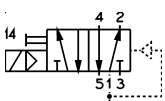
The vacuum generator must be connected to port 1!

3/2 way valve:



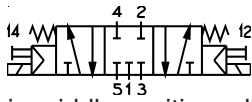
In de-energised position, Pressure Inlet 1 connected to Outlet Port 2

5/2 way valve:



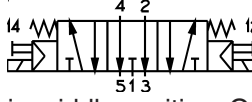
In de-energised position, Pressure Inlet 1 connected, to Outlet Port 2, Outlet Port 4 exhausted.

5/3 way valve:



in middle position, all outlet ports closed

5/3 way valve:



in middle position, Outlet Ports 2 and 4 vented, Pressure Inlet 1 closed

Media

- filtered compressed air (max. particle size 10 µm), preferably non-oiled, operation is possible with oiled air; neutral gas
- seal materials: NBR or PUR for 3/2 and 5/2 valves
NBR for 5/2 pulse valves and 5/3 valves
- permissible medium temperature: -10 to +50° C
- permissible ambient temperature: -10 to +55° C
- operational pressure range: 2 - 8 bar



NOTE

The pilot pressure of the pneumatic controller is dependent on the pressure of the flow of medium: it must not exceed a maximum of 8 bar!



ATTENTION!

Observe the permissible pressure range given on the rating plate!
Pressure difference between Ports 1 and 3/5 ≥ 2 bar

Electrical connections

- read the voltage, electrical power, type of protection and current from the rating plate!
- voltage tolerance ±10%
- electrical connection: Instrument socket type 2508 to the tag connection on the coil (tightening torque: 1 Nm)
- protection level IP 65 (only in combination with appliance socket type 2508)
- to match the cable run, the instrument socket can be mounted rotated by 4 x 90°
- refer to types 6014 or 8640 for other connection possibilities



ATTENTION!

When screwing down the instrument socket onto the coil, ensure that the flat seal is well seated!

Example of a block assembly

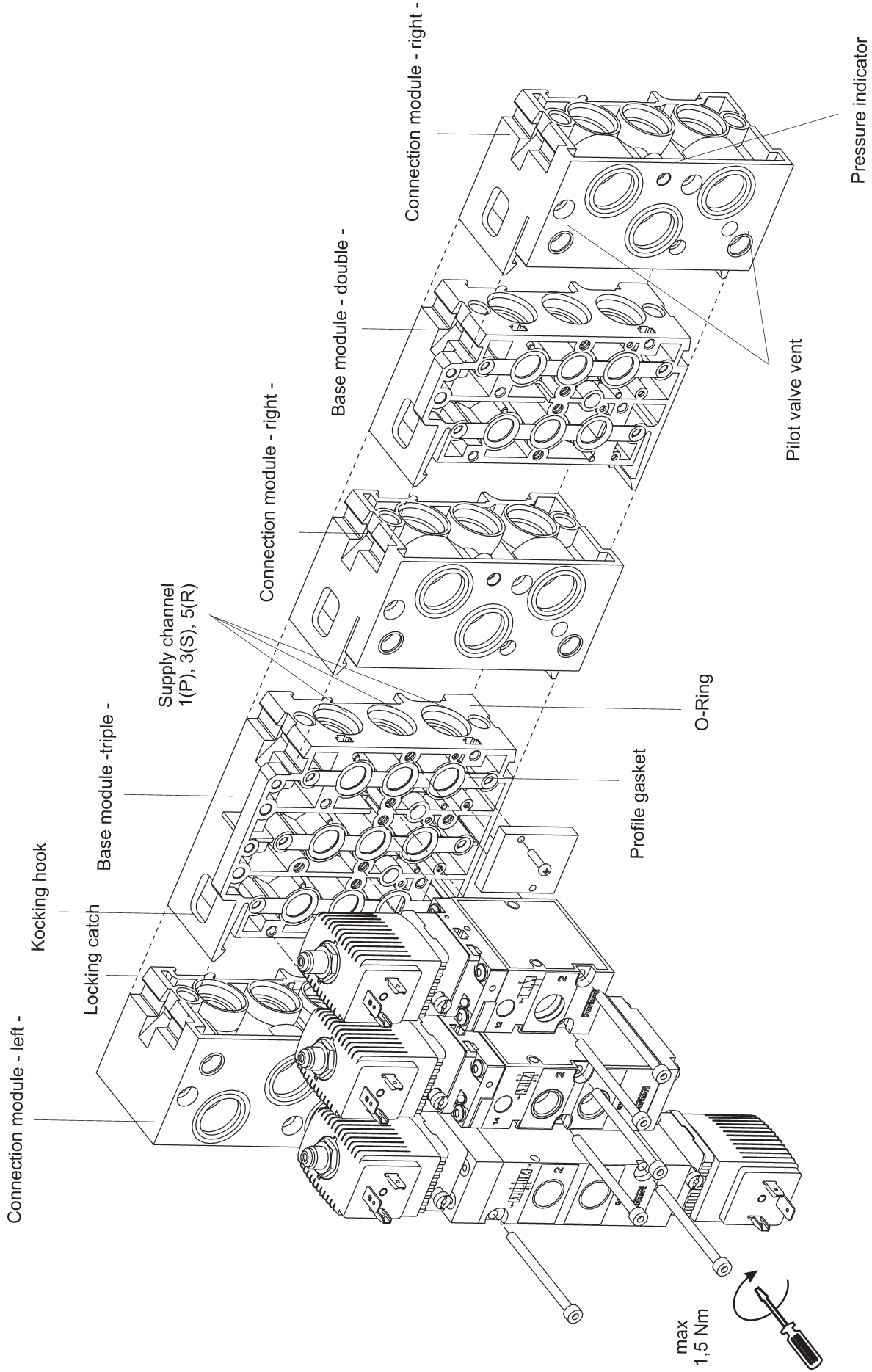


Bild: Beispiel eines Mehrfachblocks

INSTALLATION, INITIALISATION AND SERVICE

General notes	12
Setting up block assemblies using the modular pneumatic rail type MP07	12
Dismantling the module	13
Other possible uses of the connecting module, - right-hand -	13
Mounting the valve block	13
Mounting single valves	15
Measures to be taken before putting into service	16
Pulse operation	16
Faults	17

General notes

- Work on the valve should only be carried out by specialist staff and with the correct tools!
- Before working on the system, always turn off the supply voltage!
- Clean the piping system before installing the valve!
- Where necessary, connect a strainer upstream to protect against faults.
- When tightening the connections, never use the coil as a lever!
- Ensure that the operational conditions agree with the performance data of the unit!
- Avoid back-pressures in the exhaust channels by the use of large-volume silencers!



ATTENTION!

Lines or valves must never be loosened while the system is under pressure!
Observe the pressure indicator on the right-hand connecting module.

Pressure indicator with indicating pin on the connecting module - right -

(Figure: *Technical Description - Example of a block assembly*)

- | | |
|--|--|
| - Indicating pin can be pressed in: | pressure in valve block < 1 bar |
| - Indicating pin cannot be pressed in: | there is pressure in the valve block |
| - Indicating pin springs back: | there is pressure in the valve block
(vent the system before dismantling
lines or devices) |

Setting up block assemblies using the modular pneumatic rail MP07

With combination of two-way and three-way base modules, you can assemble valve blocks of any size.



NOTE

It is advisable to start the assembly with the left-hand connector module. (Figure: *Technical Descriptions - Example of a block assembly*)

- Check that each module is completely pre-fitted with O-rings!
- Before locking together, lightly grease or oil the fitted O-rings.
- Insert the hooks of the module being added into the slot on the previous module, ensuring that the O-rings are correctly seated!
- Press the modules together until both hooks latch.
- Ensure that the profile gaskets are correctly seated on the base module!



ATTENTION!

Squashed O-rings and profile gaskets cause leakages in the block!

- Secure the valves to the base module using 2 M4 screws each. (Tightening torque max. 1.5 Nm).
- Mount the complete valve block onto the wall or the standard rail.
- Connect the supply and working lines.
- Make the electrical connections to the pilot valves: in doing this, observe the values given on the rating plate!

Dismantling the module

- Unlatch both locking hooks by using a screwdriver on the end dismantling-grooves.
- Remove the block part / module sideways.

Other possible uses of the connecting module, - right-hand -

- As a **separation module** for special applications when building up several pressure levels in a single block
- Additional supply lines for larger valve blocks



NOTE

||| Where necessary, break out the rated break-points of Ports 1, 3 and 5 and the upper pilot venting.

Mounting the valve block

Standard rails

- Standard rail 35 x 15 DIN 50022 (Standard)
- Standard rail 75 x 25 DIN 50023



NOTE

||| When using the 75 x 25 DIN 50023 standard rail, change over the pre-assembled screws with clamps and springs as necessary.

Installation

- Hang the valve block onto the upper groove of the standard rail.
- Latch the lower clamp into the standard rail.
- Firmly tighten the screws on the clamp.

Dismounting

- Loosen the clamping screws (by about 4 revolutions).
- Remove the block upwards from the standard rail.

Wall mounting

→ Fix the module system directly to the wall using M5 screws.

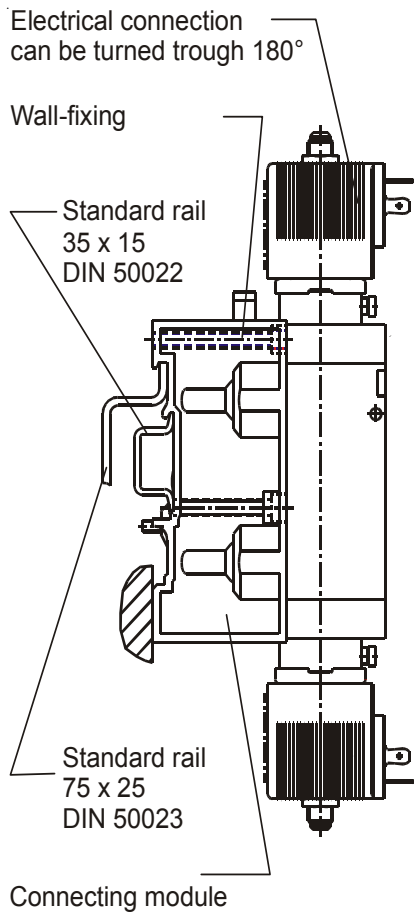


Figure: Mounting the valve block

Mounting single valves

→ Fix the single valve directly to the wall using M4 screws. (Figure: *Installation, Initialisation and Service - Mounting single valves*,



ATTENTION!

When mounting, do not distort the valve body!

Plug-in connections



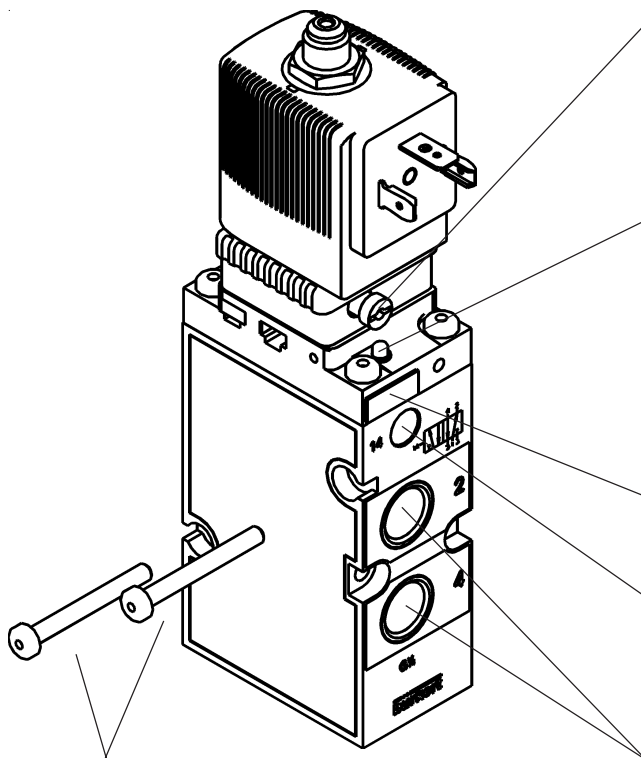
NOTE

For plug-in connections, the hose lines must meet the following requirements:

- Minimum rigidity of 40 Shore D (to DIN 53505 or ISO 868);
- External diameter corresponding to DIN 73378 (max. permissible deviation ± 0.1 mm from nominal dimension);
- Without burr, cut at right-angles and with undamaged circumference;
- The hose lines must be pushed into the plug-in connectors up to the stop.

Dismantling the plug-in connections

→ To release the line, press in the pressure ring and pull out the hose line.



Manual override

For manual operation of the valve depress the manual actuator to the stop. The manual actuator is then locked by turning 90° to the right.

Indicating pin for indicating the pneumatic position

With the valve not switched, the red indicating pin can be pressed in. If the valve has been switched, the indicating pin moves outwards, and remains in this position. The indicating pin must be pushed in again for every functional test.

Designation plate (can be removed for marking / engraving)

Port 14

- not used in the standard model
- used as an auxiliary pilot air connection and as the connection for pneumatic controls

M4 screws

for wall mounting the single valve

Service ports

2 (B) and 4 (A)

Figure: *Mounting single valve / Fix the single valve directly to the wall using M4 screws.*

Measures to be taken before putting into service

- Check all connections, voltages and the operational pressure!
- Ensure that the max. operational conditions (see rating plate) will not be exceeded!
- Check that Ports 1, 3 and 5 are correctly connected according to the regulations. These connections must not be interchanged for any reason!
- When operating electrically, unlock the manual override!

english

Pulse operation

Function:

The pulse-controlled solenoid valves operate with two coils connected alternately.



ATTENTION!

Observe the “Pulse” data on the rating plate!
Avoid simultaneous pulse input to both coils!



NOTE

|| The valves can be reversed with the manual actuator.

Faults

Fault	Possible cause	Correction
Valve does not switch	Operational voltage too low or not present;	Check the electrical supply connections. Ensure that the electrical power supply is the same as that specified on the rating plate.
	Manual override not in neutral position;	Set the manual override to the zero position.
	Compressed air supply not available or insufficient.	Carry out the dimensioning of the compressed air connection with volumes as large as possible (including that of upstream pressure regulators, service units, cut-off valves etc.) Minimum operational pressure 2 bar
Valves switch with a delay, or exhaust through the venting ports:	Compressed air supply not available or insufficient;	Führen Sie die Druckversorgung möglichst großvolumig aus (auch bei vorgeschalteten Geräten wie Druckreglern, Wartungseinheiten, Absperrventilen usw.). Mindestbetriebsdruck 2 bar
	Valves are not in the starting position (without current) during pressure build-up.)	Apply pressure to the valve block before you switch the valves
	Insufficient venting of the exhaust channels due to silencers that are too small or are soiled (back-pressure);	Use silencers or expansion channels with sufficient dimensions. Clean soiled silencers.
	Impurities or foreign matter in the pilot valve or main valve.	Blast through the exhaust channels with pulsed compressed air, to blow out impurities. Install a new pilot or main valve if these measures bring no improvement.
Leaking valve block:	O-rings between the modules missing or damaged;	Check for leaks and for missing seals.
	Missing or incorrectly positioned profile gaskets between the valve and the baseplate.	Install the missing seals and replace damaged seals.

english

MAN 1000010050 ML Version: H Status: RL (released | freigegeben) printed: 19.07.2010

Notes

english

MAN 1000010050 ML Version: H Status: RL (released | freigegeben) printed: 19.07.2010

Inhaltsverzeichnis der Betriebsanleitung Mehrfachblöcke Typ 6518 / 6519 Modulare, pneumatische Grundschiene Typ MP07

ALLGEMEINE HINWEISE	21
Darstellungsmittel	22
Sicherheitshinweise	22
Garantiebestimmungen	23
TECHNISCHE BESCHREIBUNG	25
Ventilaufbau	26
Wirkungsweise der Ventile Typ 6518 / 6519	26
Medien	27
Elektrischer Anschluss	27
Beispiel eines Mehrfachblocks	28
MONTAGE, INBETRIEBNAHME UND WARTUNG	29
Allgemeine Hinweise	30
Aufbau von Mehrfachblöcken mit der modularen, pneumatischen Grundschiene Typ MP07	30
Demontage der Module	31
Weitere Einsatzmöglichkeiten der Anschlussmodule, rechts	31
Befestigung des Ventilblocks	31
Befestigung von Einzelventilen	33
Maßnahmen vor Inbetriebnahme	34
Impulsbetrieb	34
Störungen	35

**Voltage 12V or 24V
UL / UR valid with
class 2 power supply only**

deutsch

MAN 1000010050 ML Version: H Status: RL (released | freigegeben) printed: 19.07.2010 **deutsch**

ALLGEMEINE HINWEISE

deutsch

Darstellungsmittel	22
Sicherheitshinweise	22
Garantiebestimmungen	23

Darstellungsmittel

In dieser Betriebsanleitung werden folgende Darstellungsmittel verwendet:

→ markiert einen Arbeitsschritt, den Sie ausführen müssen.



ACHTUNG!

kennzeichnet Hinweise, bei deren Nichtbeachtung Ihre Gesundheit oder die Funktionsfähigkeit des Gerätes gefährdet ist.



HINWEIS

kennzeichnet wichtige Zusatzinformationen, Tipps und Empfehlungen.

Sicherheitshinweise



Bitte beachten Sie die Hinweise dieser Betriebsanleitung sowie die Einsatzbedingungen und zulässigen Daten gemäß den Datenblättern Typ 6518 und Typ 6519, damit das Gerät einwandfrei funktioniert und lange einsatzfähig bleibt.

- Halten Sie sich bei der Einsatzplanung und dem Betrieb des Gerätes an die allgemeinen Regeln der Technik!
- Beachten Sie, dass in Systemen, die unter Druck stehen, Leitungen und Ventile nicht gelöst werden dürfen.
- Beachten Sie die geltenden Unfallverhütungs- und Sicherheitsbestimmungen für elektrische Geräte während des Betriebes, der Wartung und der Reparatur des Gerätes!
- Schalten Sie vor Eingriffen in das System in jedem Fall die Spannung ab!
- Treffen Sie geeignete Maßnahmen, um unbeabsichtigtes Betätigen oder unzulässige Beeinträchtigung auszuschließen!
- Bei Nichtbeachtung dieser Hinweise und unzulässigen Eingriffen in das Gerät entfällt jegliche Haftung unsererseits, ebenso erlischt die Garantie auf Geräte und Zubehörteile!



HINWEIS

Zulassungen wie Ex, UL, UR, CSA, DVGW usw. werden auf dem Typenschild oder durch einen besonderen Aufkleber gekennzeichnet.

Bei Geräten mit der Zulassung nach der Anforderungsklasse AK5 muss entweder gereinigte Steuerluft verwendet werden oder es muss ein Sieb mit einer maximalen Maschenweite von 1 mm vorgeschaltet werden.

Bei Unstimmigkeiten wenden Sie sich bitte umgehend an Ihre Bürkert-Niederlassung oder an unseren Kundenservice:

Bürkert Steuer- und Regelungstechnik, Service-Abteilung

Chr.-Bürkert-Str. 13-17, D-76453 Ingelfingen

Tel.: (07940) 10-111

Fax: (07940) 10-448

eMail: info@de.buerkert.com

Garantiebestimmungen

Diese Druckschrift enthält keine Garantiezusagen. Wir verweisen hierzu auf unsere allgemeinen Verkaufs- und Geschäftsbedingungen. Voraussetzung für die Garantie ist der bestimmungsgemäße Gebrauch des Gerätes unter Beachtung der spezifizierten Einsatzbedingungen.

**ACHTUNG!**

Die Gewährleistung erstreckt sich nur auf die Fehlerfreiheit der Mehrfachblöcke Typ 6518 und Typ 6519 sowie die modulare pneumatische Grundschiene Typ MP07. Es wird keine Haftung übernommen für Folgeschäden jeglicher Art, die durch Ausfall oder Fehlfunktion des Gerätes entstehen könnten.

deutsch

MAN 1000010050 ML Version: H Status: RL (released | freigegeben) printed: 19.07.2010

TECHNISCHE BESCHREIBUNG

deutsch

Ventilaufbau	26
Wirkungsweise der Ventile Typ 6518 / 6519	26
Medien	27
Elektrischer Anschluss	27
Beispiel eines Mehrfachblocks	28

Ventilaufbau

- 3/2-Wege-Vorsteuerventil mit unterschiedlichen elektrischen Anschlussvarianten.
- Die übergesteckte Spule ist in 4 x 90° - Schritten arretierbar, dazwischen um das Kernführungsrohr beliebig positionierbar.
- Ventilgehäuse mit Membran und Sitzdichtungen (3/2 und 5/2) bzw. Schieber (5/3).
- Arbeitsanschlüsse 2 (B) / 4 (A) sowie Versorgungs- und Entlüftungsanschluss 1 (P) / 3 (R) / 5 (S) mit G1/4-Innengewinde oder Steckanschluss für Schlauchaußendurchmesser 8 mm.
- Die Ventile können auf den modularen, pneumatischen Grundschielen Typ MP07 zu Ventilblöcken montiert werden.
- Beliebige Einbaulage, vorzugsweise mit Magnetsystem oben.



Die Ventile sind auch in explosionsgeschützter Ausführung verfügbar.

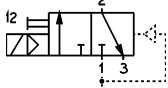


HINWEIS

Steckanschlüsse gelten nur für die Arbeitsanschlüsse 2 (B) und 4 (A).
Die Ventile arbeiten wartungsfrei.

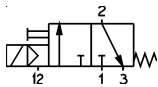
Wirkungsweise der Ventile Typ 6518 / 6519

3/2-Wege-Ventil



In Ruhestellung Druckanschluss 1 gesperrt, Ausgang 2 entlüftet.

3/2-Wege-Ventil für Vakuum, mit Steuerhilfsluft



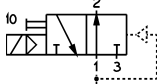
In Ruhestellung Druckanschluss 1 gesperrt, Ausgang 2 entlüftet.



ACHTUNG!

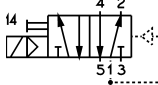
Der Vakuumerzeuger muss an Anschluss 1 angeschlossen werden.

3/2-Wege-Ventil



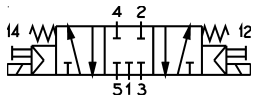
In Ruhestellung Druckanschluss 1 mit Ausgang 2 verbunden.

5/2-Wege-Ventil



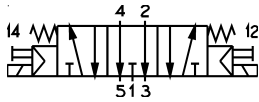
In Ruhestellung Druckanschluss 1 mit Ausgang 2 verbunden, Ausgang 4 entlüftet.

5/3-Wege-Ventil



In Mittelstellung alle Anschlüsse gesperrt.

5/3-Wege-Ventil



In Mittelstellung Ausgänge 2 und 4 entlüftet, Druckanschluss 1 gesperrt.

Medien

- gefilterte Druckluft (Partikelgröße max. 10 µm), vorzugsweise ungeölt
- Betrieb mit geölter Luft ist möglich; neutrale Gase
- Dichtwerkstoff NBR oder PUR für 3/2- und 5/2-Ventile
 NBR für 5/2-Impuls- und 5/3-Ventile
- zulässige Temperatur Medium - 10 ... + 50 °C
 Umgebung - 10 ... + 55 °C
- Betriebsdruckbereich 2 - 8 bar



HINWEIS

Der Steuerdruck bei pneumatischer Ansteuerung ist abhängig vom Druck des Durchflussmediums; er darf maximal 8 bar betragen!



ACHTUNG!

Beachten Sie den zulässigen Druckbereich auf dem Typenschild!
Druckdifferenz zwischen Anschluss 1 und 3/5 ≥ 2 bar

Elektrischer Anschluss

- Entnehmen Sie Spannung, elektrische Leistung und Stromart dem Typenschild!
- Spannungstoleranz: ±10 %
- Elektrischer Anschluss: Gerätesteckdose Typ 2508 an den Anschlusssteckerfahnen der Spule (Drehmoment zur Befestigung: 1 Nm).
- Schutzart IP65 (nur in Verbindung mit der Gerätesteckdose Typ 2508)
- Die Gerätesteckdose ist zur Wahl des Kabelganges um 4 x 90° versetzt montierbar.
- Weitere elektrische Anschlussmöglichkeiten siehe Typ 6114 bzw. 8640



ACHTUNG!

Achten Sie beim Verschrauben der Gerätesteckdose mit der Spule auf einwandfreien Sitz der Flachdichtung!

Beispiel eines Mehrfachblocks

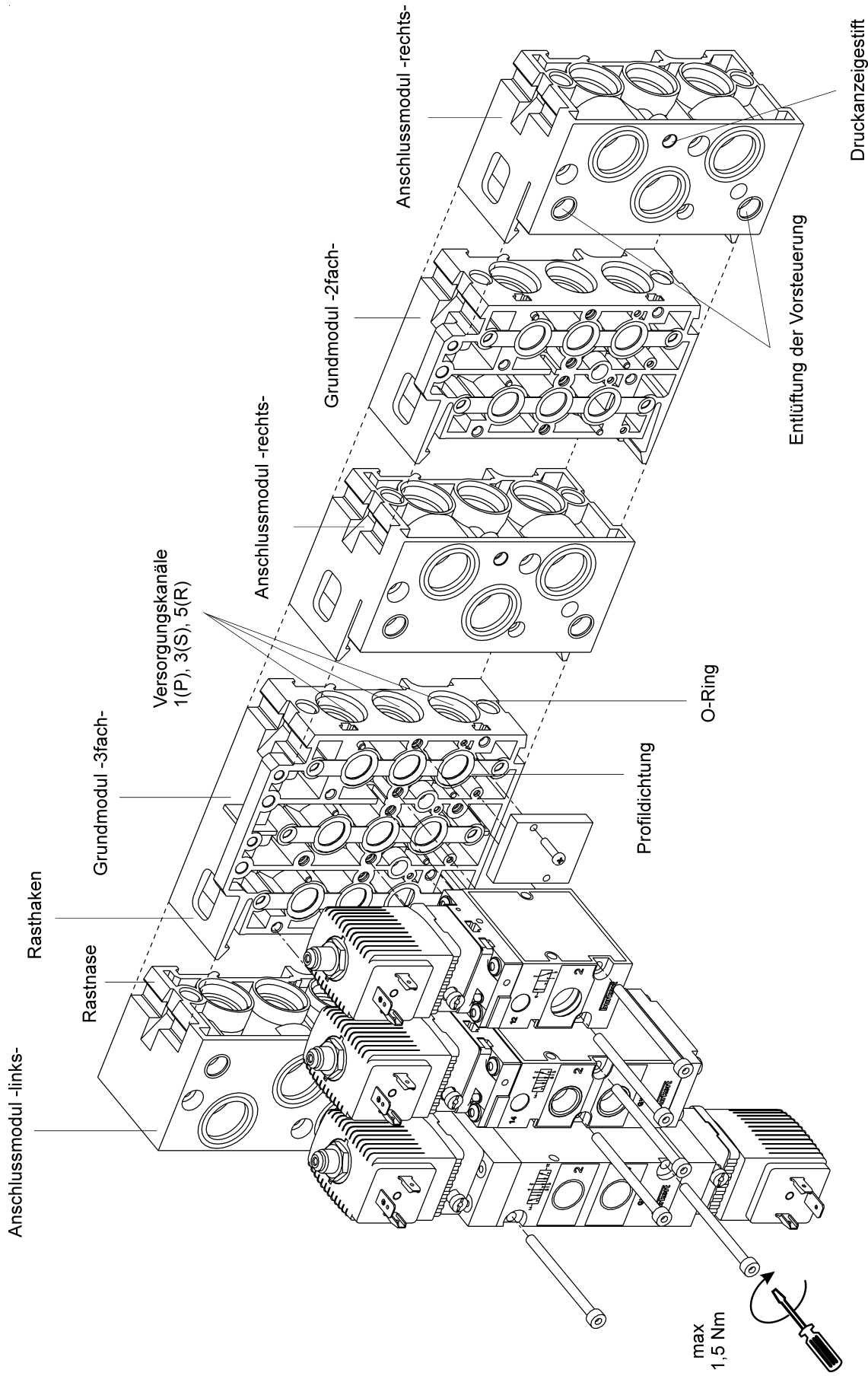


Bild: Beispiel eines Mehrfachblocks

MONTAGE INBETRIEBNAHME UND WARTUNG

deutsch

Allgemeine Hinweise	30
Aufbau von Mehrfachblöcken mit der modularen, pneumatischen Grundschiene Typ MP07	30
Demontage der Module	31
Weitere Einsatzmöglichkeiten der Anschlussmodule, rechts	31
Befestigung des Ventilblocks	31
Befestigung von Einzelventilen	33
Maßnahmen vor Inbetriebnahme	34
Impulsbetrieb	34
Störungen	35

Allgemeine Hinweise

- Eingriffe dürfen nur durch Fachpersonal und mit geeignetem Werkzeug erfolgen.
- Schalten Sie vor Eingriffen in das System in jedem Fall die Spannung ab.
- Säubern Sie vor Montage des Ventils die Rohrleitungen.
- Schalten Sie gegebenenfalls zum Schutz vor Störungen einen Schmutzfänger vor.
- Verwenden Sie die Spule in keinem Fall als Hebel, wenn Sie die Anschlüsse einschrauben.
- Achten Sie auf Übereinstimmung der Betriebsbedingungen mit den Leistungsdaten des Gerätes.
- Vermeiden Sie Staudrücke in den Abluftkanälen durch großvolumige Schalldämpfer.



ACHTUNG!

In Systemen, die unter Druck stehen, dürfen Leitungen oder Ventile nicht gelöst werden! Beachten Sie die Druckanzeige am rechten Anschlussmodul.

Druckanzeige mit Anzeigestift am Anschlussmodul - rechts

(Bild: *Technische Beschreibung - Beispiel eines Mehrfachblocks*)

- Anzeigestift lässt sich eindrücken: Druck im Ventilblock < 1 bar
- Anzeigestift lässt sich nicht eindrücken: Ventilblock ist druckbeaufschlagt
- Anzeigestift federt zurück: Ventilblock ist druckbeaufschlagt
(entlüften Sie das System, bevor Sie Leitungen oder Geräte demontieren)

Aufbau von Mehrfachblöcken mit der modularen, pneumatischen Grundschiene Typ MP07

Sie erhalten durch die Kombination von 2fach- und 3fach-Grundmodulen beliebig große Ventilblöcke.



HINWEIS

Beginnen Sie die Montage zweckmäßig mit dem Anschlussmodul - links (Bild: *Technische Beschreibung - Beispiel eines Mehrfachblocks*).

- Kontrollieren Sie die Module auf vollständige Bestückung mit O-Ringen!
- Ölen oder fetten Sie die aufgezogenen O-Ringe vor dem Rasten leicht ein.
- Rasten Sie die Haken des anzubauenden Moduls in die Rastnuten des vorgehenden Moduls ein, achten Sie dabei auf exakten Sitz der O-Ringe!
- Drücken Sie die Module bis zum Einrasten beider Haken zusammen.
- Achten Sie auf exakten Sitz der Profildichtungen auf dem Grundmodul!



ACHTUNG!

Gequetschte O-Ringe und Flachdichtungen haben Undichtheit des Blocks zur Folge.

- Befestigen Sie die Ventile mit je 2 M4-Schrauben auf dem Grundmodul (Anzugsmoment max.1,5 Nm).
- Montieren Sie den kompletten Ventilblock auf der Wand oder auf der Normschiene.
- Schließen Sie Versorgungs- und Arbeitsleitungen an.
- Stellen Sie die elektrischen Anschlüsse zu den Vorsteuerventilen her; beachten Sie dabei die Werte auf dem Typenschild!

Demontage der Module

- Rasten Sie den oberen Rasthaken mittels Schraubendreher an der stirnseitigen Demontagenut aus.
- Nehmen Sie den Teilblock / das Modul seitlich ab.

Weitere Einsatzmöglichkeiten der Anschlussmodule, rechts

- Als **Teilermodule** bei besonderen Anwendungsfällen zum Aufbau von mehreren Betriebs-Druckstufen in einem Block.
- Zusätzliche Einspeisung bei größeren Ventilblöcken.



HINWEIS

Durchstoßen Sie bei Bedarf die seitlichen Sollbruchstellen der Anschlüsse 1, 3, 5 und die der oberen Vorsteuerentlüftung.

Befestigung des Ventilblocks

Normschiene

- Normschiene 35 x 15 DIN 50022 (Standard)
- Normschiene 75 x 25 DIN 50023



HINWEIS

Setzen Sie bei Verwendung der Normschiene 75 x 25 DIN 50023 die vormontierten Schrauben mit Klemmstücken und Federn entsprechend um.

Montage

- Hängen Sie den Ventilblock mit der oberen Nut in die Normschiene ein.
- Rasten Sie die unteren Klemmstücke in die Normschiene ein.
- Ziehen Sie die Schrauben an den Klemmstücken fest.

Demontage

- Lösen Sie die Klemmschrauben (ca. 4 Umdrehungen).
- Entnehmen Sie den Block nach oben von der Normschiene.

Wandmontage

→ Befestigen Sie den Ventilblock mit M5-Schrauben direkt an der Wand.

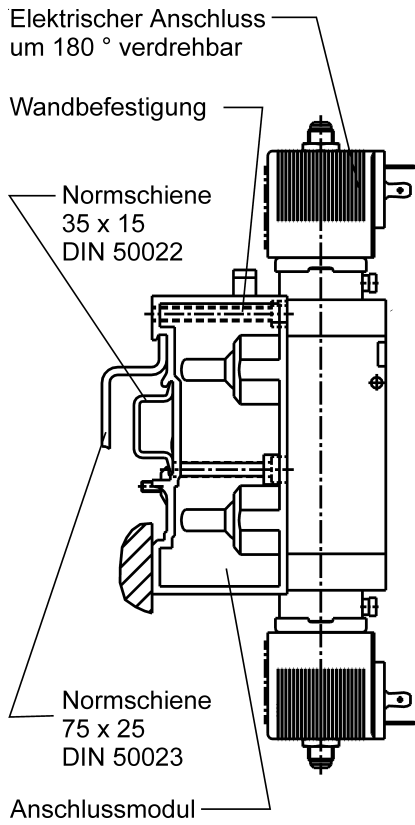


Bild: Befestigung des Ventilblocks

deutsch

MAN 1000010050 ML Version: H Status: RL (released | freigegeben) printed: 19.07.2010

Befestigung von Einzelventilen

→ Befestigen Sie das Einzelventil mit M4-Schrauben direkt an der Wand (Bild: *Montage, Inbetriebnahme und Wartung - Befestigung des Einzelventils, Handbetätigung, Pneumatische Stellungsanzeige*).



ACHTUNG!

Verspannen Sie das Ventilgehäuse beim Einbau nicht!

Steckanschlüsse



HINWEIS

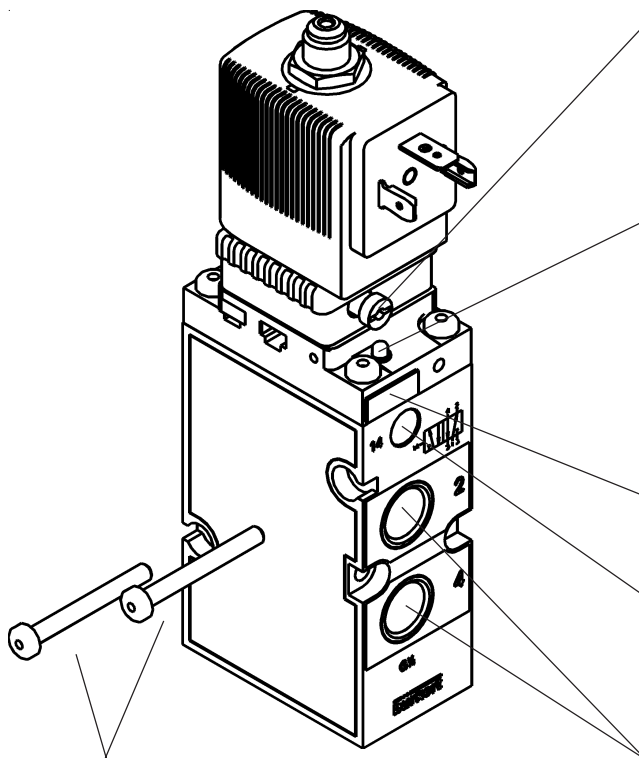
Für die Steckanschlüsse müssen die Schlauchleitungen folgende Anforderungen erfüllen:

- Mindesthärte von 40 Shore D (nach DIN 53505 bzw. ISO 868).
- Außendurchmesser entsprechend DIN 73378 (max. zul. Abweichung ± 0,1 mm vom Nennmaß).
- Gratfrei, rechtwinklig abgeschnitten und am Außendurchmesser unbeschädigt.
- die Schlauchleitungen sind bis zum Anschlag in die Steckanschlüsse einzudrücken.

deutsch

Demontage der Steckanschlüsse

→ Drücken Sie zum Lösen der Leitungen den Druckring ein und ziehen Sie die Schlauchleitung heraus.



Handbetätigung

Drehen Sie zur manuellen Betätigung des Ventils die Handbetätigung bis zum Anschlag ein. Durch anschließendes Dehnen um 90° nach rechts ist die Handbetätigung verriegelt.

Anzeigestift zur pneumatischen Stellungsanzeige.

Bei ungeschaltetem Ventil lässt sich der rote Anzeigestift eindrücken. Wird das Ventil geschaltet, fährt der Anzeigestift aus und bleibt in dieser Stellung. Bei jeder Funktionsüberprüfung muss der Anzeigestift erneut eingedrückt werden.

Kennzeichnungsschild (abnehmbar für Markierungen/Beschriftungen)

Anschluss 14

- in Standardausführung nicht belegt
- dient als Steuerhilfsluftanschluss und als Anschluss für pneumatische Ansteuerungen

Arbeitsanschlüsse 2 (B) und 4 (A)

M4-Schrauben

zur Wandmontage des Einzelventils

Bild: Befestigung des Einzelventils, Handbetätigung, Pneumatische Stellungsanzeige

Maßnahmen vor der Inbetriebnahme

- Überprüfen Sie Anschlüsse, Spannung und Betriebsdruck!
- Beachten Sie, dass max. Betriebsdaten (siehe Typenschild) nicht überschritten werden!
- Überprüfen Sie die vorschriftsmäßige Belegung der Anschlüsse 1 und 3 bzw. 5, diese dürfen auf keinen Fall vertauscht werden!
- Entriegeln Sie bei elektrischem Betrieb die Handbetätigung!

Impulsbetrieb

Funktion

Die impulsgesteuerten Magnetventile arbeiten mit zwei Spulen, die im Wechsel geschaltet werden.



ACHTUNG!

Beachten Sie die Angabe *Impuls* auf dem Typenschild! Vermeiden Sie gleichzeitige Impulsgabe auf beide Spulen!



HINWEIS

|| Mit der Handbetätigung sind die Ventile umsteuerbar.

Störungen

Störung	mögliche Ursache	Behebung
Ventile schalten nicht	Keine oder nicht ausreichende Betriebsspannung	Überprüfen Sie den elektrischen Anschluss. Stellen Sie die Betriebsspannung laut Typenschild sicher.
	Handbetätigung nicht in neutraler Stellung	Bringen Sie die Handbetätigung in Null-Stellung.
	Druckversorgung nicht ausreichend oder nicht vorhanden	Führen Sie die Druckversorgung möglichst großvolumig aus (auch bei vorgeschalteten Geräten wie Druckreglern, Wartungseinheiten, Absperrventilen usw.). Mindestbetriebsdruck 2 bar
Ventile schalten verzögert oder blasen an den Entlüftungsanschlüssen ab	Druckversorgung nicht ausreichend oder nicht vorhanden	Führen Sie die Druckversorgung möglichst großvolumig aus (auch bei vorgeschalteten Geräten wie Druckreglern, Wartungseinheiten, Absperrventilen usw.). Mindestbetriebsdruck 2 bar
	Ventile sind während des Druckaufbaus nicht in Grundstellung (stromlos)	Beaufschlagen Sie den Ventilblock mit Druck, bevor Sie die Ventile schalten!
	keine ausreichende Entlüftung der Abluftkanäle durch zu kleine oder verschmutzte Geräuschkämpfer (Rückdrücke);	Verwenden Sie entsprechend groß dimensionierte Geräuschkämpfer bzw. Expansionsgefäße. Reinigen Sie verschmutzte Geräuschkämpfer.
	Verunreinigungen bzw. Fremdkörper im Vorsteuer- oder Hauptventil.	Beaufschlagen Sie die Abluftkanäle mit impulsartigem Druck, um die Verunreinigungen auszublasen Bauen Sie ein neues Vorsteuer- bzw. Hauptventil ein, wenn diese Maßnahme keinen Erfolg bringt.
Undichte Ventilblöcke	Fehlende oder gequetschte O-Ringe zwischen den Modulen	Ermitteln Sie die Leckstelle oder fehlende Dichtungen
	Fehlende oder falsch positionierte Flachdichtungen zwischen Ventil und Grundplatte	Setzen Sie fehlende Dichtungen ein oder erneuern Sie beschädigte Dichtungen.

deutsch

MAN 1000010050 ML Version: H Status: RL (released | freigegeben) printed: 19.07.2010

Notizen

MAN 1000010050 ML Version: H Status: RL (released | freigegeben) printed: 19.07.2010 **deutsch**

Table de matieres

Instructions de service

Blocs multiples et profils pneumatiques modulaires Type 6518/6519 et Type MP07

REMARQUES GENERALES	39
Représentation	40
Consignes générales de sécurité	40
Clauses de garantie	41
DESCRIPTION TECHNIQUES	43
Construction de la vanne	44
Fonctionnement des vannes du type 6518 / 6519	44
Fluides	45
Raccordement électrique	45
Exemple d'un bloc multiple	46
MONTAGE, MISE EN SERVICE ET ENTRETIEN	47
Remarques générales	48
Montage de blocs multiples avec les modules de base pneumatiques type MP07	48
Démontage des modules	49
Autres possibilités d'application du module de raccordement - à droite -	49
Fixation du bloc de vannes	49
Fixation des vannes seules	51
Précautions à prendre avant la mise en service	52
Fonctionnement par impulsion	52
Dérangements	53

**Voltage 12V or 24V
UL / UR valid with
class 2 power supply only**

MAN 1000010050 ML Version: H Status: RL (released | freigegeben) printed: 19.07.2010

francis

REMARQUES GENERALES

Représentation	40
Consignes générales de sécurité	40
Clauses de garantie	41

français

Représentation

On utilise dans ces instructions de service les modes de représentation suivants:

→ marque une phase de travail que vous devez exécuter



ATTENTION!

caractérise des indications dont l'observation peut mettre en danger votre santé ou la fonctionnalité de l'appareil



REMARQUE

caractérise des indications supplémentaires, des conseils et des recommandations

Consignes générales de sécurité



Observez les indications de ces instructions de service ainsi que les conditions d'utilisation et les caractéristiques admissibles selon la fiche technique du type 6518 / 6519, afin que l'appareil fonctionne parfaitement et reste longtemps en état de fonctionnement:

- respectez lors du projet d'utilisation et de l'exploitation de l'appareil les règles générales reconnues de la technique;
- observez les dispositions en vigueur sur la prévention des accidents et la sécurité pour les appareils électriques, pendant l'exploitation, l'entretien et la réparation de l'appareil; déclenchez dans tous es cas la tension électrique avant toute intervention dans le système!
- prenez les mesures appropriées afin d'exclure un actionnement involontaire ou un préjudice inadmissible;
- observer que les conduites et les vannes des systèmes se trouvant sous pression ne doivent pas être démontées;
- en cas d'inobservation de cette indication, toute responsabilité de notre part sera exclue, de même la garantie sur l'appareil et les accessoires sera supprimée.



REMARQUE

Des homologations telles que Ex, UL, UR, CSA, DVGW, etc. sont indiquées sur la plaquette signalétique ou sur une étiquette collante spéciale.

Dans le cas des appareils homologués en classe AK 5, soit de l'air de commande purifié doit être utilisé, soit un tamis comportant une largeur de maille de 1 mm doit être branché en amont.

En cas de non concordance, s'adresser immédiatement à votre succursale Bürkert ou à notre service après vente:

Bürkert Steuer- und Regelungstechnik, Service-Abteilung

Chr.-Bürkert-Str. 13-17, D-76453 Ingelfingen

Tel.: (07940) 10-111

Fax: (07940) 10-448

eMail: info@de.buerkert.com

Clauses de garantie

Ce document ne constitue aucun assentiment de garantie. Nous vous renvoyons à cet effet à nos conditions générales de vente et commerciales. La condition préalable au consentement de la garantie est l'utilisation conforme de l'appareil à l'usage auquel il est destiné, compte tenu de l'observation des conditions d'emploi spécifiées.

**ATTENTION!**

Les prestations de garantie ne s'étendent qu'à l'absence de défaut de la bloc multiples 6518/6519 et Profils pneumatiques modulaires Type MP07. Nous déclinons, par contre, toute responsabilité pour des dégâts consécutifs de toute nature susceptibles de survenir par suite de défaillance ou défaut de fonctionnement de l'appareil.

MAN 1000010050 ML Version: H Status: RL (released | freigegeben) printed: 19.07.2010

francis

DESCRIPTION TECHNIQUES

Construction de la vanne	44
Fonctionnement des vannes du type 6518/6519	44
Fluides	45
Raccordement électrique	45
Exemple d'un bloc multiple	46

Construction de la vanne

- Vanne pilote à 3/2 voies, avec différentes variantes de raccordement électrique
- La bobine insérée au-dessus peut être bloquée par pas sur 4 x 90°, et peut être positionnée entre ces points à volonté autour du tube de guidage du noyau
- Corps de vanne avec membrane et joints du siège (3/2; 5/2), resp. avec tiroir (5/3)
- Raccords de travail 2 (B) / 4 (A) ainsi que raccords d'alimentation et de purge d'air 1 (P) / 3 (S) / 5 (R) au choix avec taraudage intérieur G 1/4 ou raccord à fiche pour diamètre de tuyau souple de 8 mm
- Les vannes peuvent être montées sur les profils pneumatiques modulaires MP07
- Position de montage quelconque, de préférence avec système magnétique en haut



Les vannes sont aussi disponibles en exécution antidéflagrante

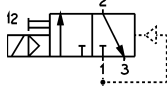


REMARQUE

Les raccords à fiche ne s'appliquent qu'aux raccords de travail 2 (B) et 4 (A). Les vannes travaillent sans entretien.

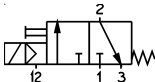
Fonctionnement des vannes du type 6518 / 6519

Vanne à 3/2 voies:



en position de repos, raccord de pression 1 bloqué, sortie 2 à l'air libre

Vanne à 3/2 voies pour vide, avec air auxiliaire de commande



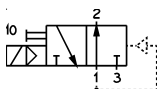
en position de repos, raccord de pression 1 bloqué, sortie 2 à l'air libre



ATTENTION!

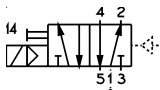
La source de vide doit être reliée au raccordement 1!

Vanne à 3/2 voies:



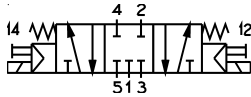
en position de repos, raccord de pression 1 relié à la sortie 2

Vanne à 5/2 voies:



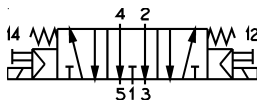
en position de repos, raccord de pression 1 relié à la sortie 2, sortie 4 à l'air libre

Vanne à 5/3 voies:



tous les raccords bloqués en position médiane

Vanne à 5/3 voies:



en position médiane, sorties 2 et 4 à l'air libre; raccord de pression 1 bloqué

Fluides

- Air comprimé filtré (grandeur max. des particules 10 µm), de préférence sans huile, le fonctionnement avec de l'air huilé est possible; gaz neutres
- Matière du joint: NBR ou PUR pour vannes 3/2 et 5/2
NBR pour vannes 5/2 à impulsion et vannes 5/3
- Température admissible du fluide: -10 à +50° C
- Température ambiante admissible: -10 à +55° C
- Domaine de pression de service: 2 - 8 bars



REMARQUE

La pression de commande en pilotage pneumatique dépend de la pression du fluide traversant; elle doit se monter au maximum à 8 bars!



ATTENTION!

Observez le domaine de pression admissible sur la plaquette signalétique!
Différence de pression entre raccords 1 et 3/5 \geq 2 bars

Raccordement électrique

- Lisez sur la plaquette signalétique la tension, la puissance électrique, le genre de protection et de courant!
- Tolérance de tension $\pm 10\%$
- Raccordement électrique: prise d'appareil type 2508 sur les fiches de raccordement de la bobine (couple de serrage de la fixation: 1 Nm)
- Mode de protection IP 65 (seulement en relation avec la prise d'appareil type 2508)
- La prise d'appareil peut être montée inversée de 4 x 90° pour le choix du passage du câble
- Autres possibilités de raccordement électrique, voir type 6014, resp. 8640



ATTENTION!

Veiller en vissant la prise d'appareil avec la bobine à une application parfaite du joint plat!

MAN 1000010050 ML Version: H Status: RL (released | freigegeben) printed: 10.07.2010

Exemple d'un bloc multiple

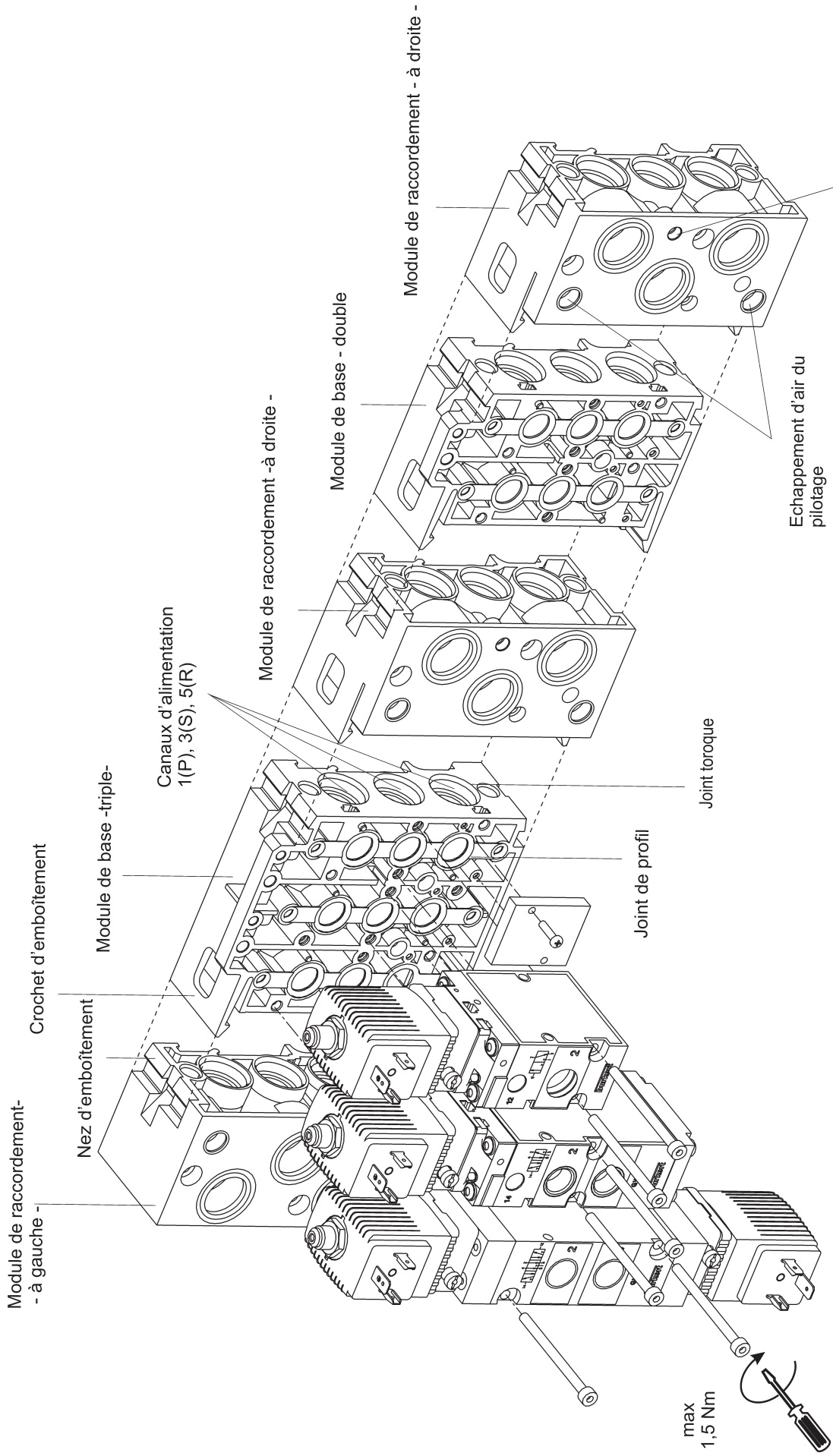


Bild: Beispiel eines Mehrfachblocks

MONTAGE, MISE EN SERVICE ET ENTRETIEN

Remarques générales	48
Montage de blocs multiples avec les modules de base pneumatiques type MP07	48
Démontage des modules	49
Autres possibilités d'application du module de raccordement - à droite -	49
Fixation du bloc de vannes	49
Fixation des vannes seules	51
Précautions à prendre avant la mise en service	52
Fonctionnement par impulsion	52
Dérangements	53

Remarques générales

- Des interventions ne doivent être effectuées que par un personnel qualifié équipé de l'outillage approprié!
- Déclencher dans tous les cas la tension avant toute intervention sur le système!
- Nettoyer les conduites avant le montage de la vanne!
- Monter éventuellement un filtre en amont pour prévenir des dérangements.
- N'utiliser en aucun cas la bobine comme levier lors du vissage des raccordements!
- Veiller à la concordance des conditions d'exploitation avec les caractéristiques de débit de l'appareil!
- Eviter les accumulations de pression dans les canaux d'échappement d'air en employant des silencieux de grand volume!



ATTENTION!

Ne pas démonter des conduites ou des vannes dans des systèmes se trouvant sous pression! Observer l'indication de pression sur le module de raccordement de droite!

Indication de pression avec tige indicatrice sur le module de raccordement - à droite - (figure: Description Techniques - Exemple d'un bloc multiple)

- | | |
|--|---|
| - La tige indicatrice se laisse enfoncer: | pression dans le bloc de vanne < 1 bar |
| - La tige indicatrice ne se laisse pas enfoncer: | le bloc de vanne est sous pression |
| - La tige indicatrice fait ressort: | le bloc de vanne est sous pression
(purger le système avant de démonter les conduites
ou appareils) |

Montage de blocs multiples avec le profil modulaire pneumatique type MP07

On obtient en combinant des modules de base doubles ou triples des blocs de vannes de dimensions illimitées.



REMARQUE

Commencer de préférence le montage par le module de raccordement - à gauche - (figure: Description Techniques - Exemple d'un bloc multiple).

- Contrôler si les modules sont équipés complètement avec les joints toriques!
- Huiler ou graisser légèrement les joints toriques posés avant d'emboîter.
- Introduire les crochets du module à ajouter dans les rainures du module précédent, en veillant alors à la tenue exacte des joints toriques!
- Presser le module jusqu'à l'emboîtement des deux crochets.
- Veiller à la tenue exacte des joints du profil sur le module de base!



ATTENTION!

Les joint toriques et les joints du profil écrasés ont pour conséquence des fuites dans le bloc!

- Fixer les vannes sur le module de base avec 2 vis M4 pour chacune (couple de serrage max. 1,5 Nm).
- Monter le bloc de vannes complet sur la paroi ou le profil normalisé.
- Raccorder les conduites d'alimentation et de travail.
- Etablir les raccordements électriques aux vannes pilotes, en observant les valeurs sur la plaquette signalétique!

Démontage des modules

- Décrocher avec un tournevis les deux crochets d'emboîtement sur la rainure frontale de démontage.
- Extraire latéralement le bloc partiel / le module.

Autres possibilités d'application du module de raccordement - à droite -

- En tant que **module diviseur** pour des cas particuliers d'application, pour la réalisation de plusieurs étages de pression de service en un seul bloc:
- Alimentation supplémentaire en cas de grands blocs de vannes



REMARQUE

Briser si nécessaire les points de passage des raccordements 1 / 3 / 5 et de l'échappement d'air du pilotage en haut.

Fixation du bloc de vannes

Profil normalisé

- Profil normalisé 35 x 15 DIN 50022 (standard)
- Profil normalisé 75 x 25 DIN 50023



REMARQUE

Pour l'utilisation du profil normalisé 75 x 25 DIN 50023, inverser les vis préalablement montée avec les pièces de serrage et les ressorts.

Montage

- Accrocher le bloc de vannes avec la rainure supérieure dans le profil normalisé.
- Emboîter la pièce de serrage inférieure dans le profil normalisé.
- Serrer les vis sur les pièce de serrage.

Démontage

- Dévisser les vis de serrage (env. 4 tours).
- Enlever le bloc du profil normalisé, vers le haut.

Montage mural

→ Fixer le bloc de vannes avec 4 vis M4 directement contre la paroi.

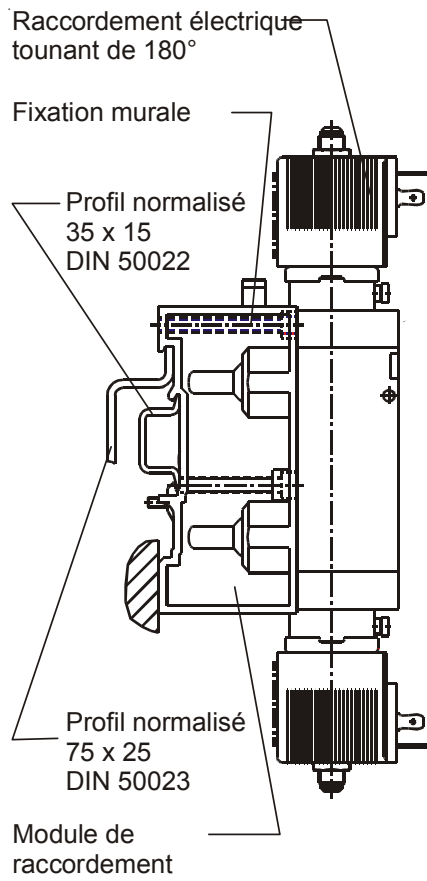


Figure: Fixation du bloc de vannes

Fixation des vannes seules

→ Fixer la vanne seule avec les vis M4 directement contre la paroi. (figure: Montage, Mise en Service et Entretien - Fixation de vanne seule / Actionnement manuel / indication pneumatique de position)



ATTENTION!

Ne pas déformer le boîtier de vanne au montage!

Raccords à fiches



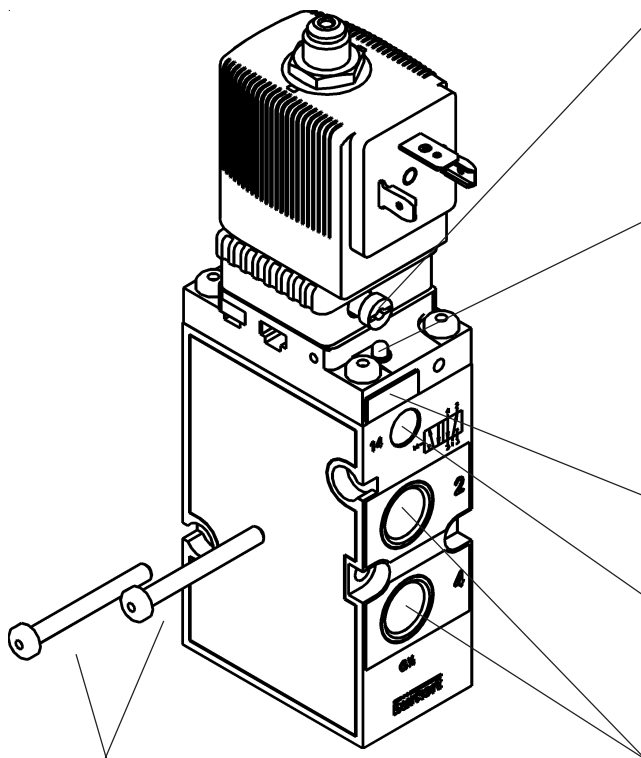
REMARQUE

Pour les raccords à fiches, les conduites souples doivent remplir les exigences suivantes:

- Dureté minimale de 40 Shore D (selon DIN 53505, resp. ISO 868)
- Diamètre extérieur selon DIN 73378 (écart max. adm. ± 0,1 mm de la cote nominale)
- Exempt de bavures, coupé d'équerre et sans dommages sur le diamètre extérieur
- Les conduites souples doivent être enfoncées jusqu'à la butée dans les raccords à fiche

Démontage des raccords à fiches

→ Presser la bague de pression pour détacher les conduites et retirer les conduites souples.



Actionnement manuel

Presser pour l'actionnement manuel de la vanne le bouton jusqu'en butée. En tournant ensuite de 90° vers la droite, l'actionnement manuel sera verrouillé.

Tige indicatrice pour l'indication pneumatique de position.

Si la vanne n'est pas activée, la tige indicatrice rouge peut être enfoncée. Si la vanne est activée, la tige indicatrice sort et reste dans cette position. A chaque vérification de fonction, il faut de nouveau enfoncer la tige indicatrice.

Etiquette d'identification (amovible pour marquages/inscriptions)

Raccordement 14

- pas raccordé dans l'exécution standard
- sert de raccord d'air auxiliaire de commande et de raccord pour les pilotages pneumatiques

Vis M4 pour la fixation murale de la vanne seule

Raccords de travail 2 (B) et 4 (A)

Figure: Fixation de vanne seule / Actionnement manuel / indication pneumatique de position

Précautions à prendre avant la mise en service

- Vérifier les raccordements, la tension et la pression de service!
- Veiller à ce que les données de service maximales (voir plaquette signalétique) ne soient pas dépassées!
- Vérifier le raccordement conforme aux prescriptions des raccords 1 et 3 resp. 5, qui ne doivent en aucun cas être permutés!
- En cas de fonctionnement électrique, déverrouiller l'actionnement manuel!

Fonctionnement par impulsion

Fonction

Les vannes magnétiques commandées par impulsion travaillent avec deux bobines couplées en alternance.

**ATTENTION!**

Observer l'indication «*Impulsion*» sur la plaquette signalétique!
Eviter de donner simultanément une impulsion sur les deux bobines!



REMARQUE || Les vannes peuvent être commutées avec l'actionnement manuel.

Dérangements

Dérangement	Cause possible	Remède
Les vannes ne commutent pas:	Tension de service absente ou insuffisante;	Vérifier le raccordement électrique. Assurer la tension de service selon la plaquette signalétique.
	Actionnement manuel pas en position neutre;	Placer l'actionnement manuel en position neutre
	Pression d'alimentation absente ou insuffisante.	Exécuter l'alimentation en pression avec le plus grand volume possible (aussi avec les appareils en amont tels que régulateurs de pression, unités de conditionnement, vannes d'arrêt, etc.) pression de service \geq 2 bar
Les vannes commutent à retardement ou sifflent aux raccords d'échappement d'air:	Pression d'alimentation absente ou insuffisante.	Exécuter l'alimentation en pression avec le plus grand volume possible (aussi avec les appareils en amont tels que régulateurs de pression, unités de conditionnement, vannes d'arrêt, etc.) pression de service \geq 2 bar
	Les soupes ne doivent pas être en position initiale (sans courant) pendant l'établissement de la	Mettre les appareils de distribution groupés sous pression avant de mettre les soupapes en circuit.
	pression Aération des canaux d'échappement d'air insuffisantes à cause de silencieux trop petits ou sales (contre-pressions).	Utiliser des silencieux resp. des vases d'expansion dimensionnés assez grands. Nettoyer les silencieux sales.
	Saletés ou corps étrangers dans la vanne de pilotage ou principale.	Appliquer des impulsions de pression sur les canaux d'échappement d'air pour expulser les saletés. Monter une nouvelle vanne de pilotage ou principale si cette mesure n'a pas de succès..
Blocs de vannes pas étanches:	Joints toriques absents ou écrasés entre les modules;	Localiser la fuite ou les joints manquants.
	Joints du profil absents ou mal positionnés entre vanne et plaque de base.	Poser les joints manquants ou remplacer les joints endommagés.

Contact addresses / Kontaktadressen

Germany / Deutschland / Allemange

Bürkert Fluid Control System
Sales Centre
Chr.-Bürkert-Str. 13-17
D-74653 Ingelfingen
Tel. + 49 (0) 7940 - 10 91 111
Fax + 49 (0) 7940 - 10 91 448
E-mail: info@de.buerkert.com

International

Contact addresses can be found on the internet at:

Die Kontaktadressen finden Sie im Internet unter:

Les adresses se trouvent sur internet sous :

www.burkert.com → Bürkert → Company → Locations

MAN 1000010050 ML Version: H Status: RL (released | freigegeben) printed: 19.07.2010

**The smart choice
of Fluid Control Systems**
www.buerkert.com

bürkert
Fluid Control Systems