

FINE CONTROLS (UK) LTD



Fine Controls have been supplying process controls & instrumentation equipment since 1994, & now serves an ever expanding customer base, both in the UK & globally.

We offer a full range of valve & instrumentation products & services, with our product range representing leading technologies & brands:

Flow: Flow Meters & Transmitters, Flow Switches, Flow Control Valves & Batch Control Systems

Temperature: Temperature Probes & Thermowells, Temperature transmitters, Temperature Regulators & Temperature Displays

Level: Level Transmitters & Switches

Pressure: Pressure Gauges & Transmitters, Precision & High Pressure Regulators & I-P Converters, Volume boosters.

Precision Pneumatics: Pressure Regulators, I-P Converters, Volume Boosters, Vacuum Regulators

Valves: Solenoid & Pneumatic Valves, Control Valves & Positioners, Actuated Ball, Globe or Diaphragm Valves & Isolation Valves

Services: Repair, Calibration, Panel Build, System Design & Commissioning

A rotork® Brand
FAIRCHILD



bürkert



SIEMENS



alcon
SOLENOID VALVES

A rotork® Brand



MIDLAND-ACS
A rotork® Brand



Honeywell



Bourdon
Baumer Group



SOLDO
CONTROLS

A rotork® Brand



Fine Controls (UK) LTD, Bassendale Road, Croft Business Park,
Bromborough, Wirral, CH62 3QL UK
Tel: 0151 343 9966
Email: sales@finecontrols.com



Proportional Valve with Control Electronics

- Control valve for continuous control of liquids
- Low hysteresis and high repeatability
- Control with PWM signal
- Servo-assisted, tight closing valve

Type 6223 can be combined with...



Type 8605

Control electronics
Cable plug version



Type 8605

Digital control electronics
DIN-rail version



Type 2508

Cable plug



Type 8611

Universal controller

The valve Type 6223 can be used for the control of larger flow quantities. Low hysteresis, high reproducibility and good response sensitivity guarantee good positioning behaviour. The valve closes tight. The push-over coil is easy to replace.

Technical data	
Orifice	DN 10, 13 and 20 mm
Body material	Brass, stainless steel on request
Seal material	FKM, others on request
Media	Neutral liquids
Media temperature	-10 to + 90 °C
Ambient temperature	Max. + 55 °C
Port connection	G 3/8, G 1/2, G 3/4, G 1
Viscosity	Max. 21 mm ² /s
Operating voltage	24 V DC
Power consumption	See ordering chart
Duty cycle	Continuous rating 100%
Electrical connection	Cable plug Type 2508 acc. to DIN EN 175301-803 Form A
Protection class valve	IP 65 with plug-on module or with cable plug on the valve
Installation	As required, preferably with actuator in upright position
Hysteresis	< 5%
Repeatability	< 1% FS
Sensitivity	< 1% FS
Settling time (90%)	< 200 ms
Span	1:10

Technical data - control electronics Type 8605 (see datasheet)

Ordering chart for valves (other versions on request)

All valves with FKM sealing

Circuit function	Port connection	Orifice [mm]	Kvs value water [m ³ /h] ¹⁾	Q _{Nn} value [l/min] ²⁾	Pressure range [bar] ³⁾	Max. coil current [mA]	Power consumption [W]	Item no.
<p>2-way servo-assisted continuous control valve NC</p>	G 3/8	10	1.4	1510	0.5-10	300	8	134 229
	G 1/2		1.4	1510	0.5-10	300	8	134 230
	G 1/2	13	2.5	2700	0.5-10	330	10	132 202
	G 3/4		2.5	2700	0.5-10	330	10	132 640
	G 3/4		20	5.0	5400	0.5-10	530	15
	G 1	5.0		5400	0.5-10	530	15	134 232

1) Kvs value: Flow rate value for water, measured at +20 °C and 1 bar pressure differential over a fully opened valve

2) Q_{Nn} value: Flow rate value for air with inlet pressure of 6 bar¹⁾, 1 bar pressure differential and +20 °C

3) Pressure data [bar]: Overpressure with respect to atmospheric pressure

Please note that the valves are delivered without control electronics unit and cable plug (see accessories below).

i Further versions on request



Approvals

UR, CSA, CGA/AGA

Ordering chart for accessories

Cable plug Type 2508 according to DIN EN 175301-803 Form A

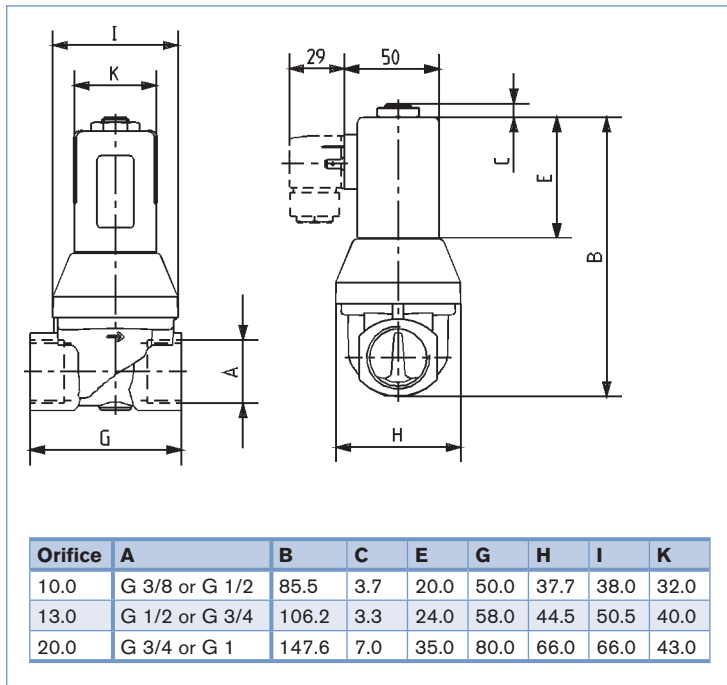
The delivery of a cable plug includes the flat seal and fixing screw

Circuitry	Voltage / frequency	Item no.
None	0 - 250 V AC/DC	008 376
None, with 3 m cable	0 - 250 V AC/DC	783 573

Electronic Control Type 8605

Please see separate Datasheet

Dimensions [mm]



To find your nearest Bürkert facility, click on the orange box →

www.burkert.comIn case of special application conditions,
please consult for advice.Subject to alteration.
© Christian Bürkert GmbH & Co. KG

0903/2_EU-en_00891754