

# FINE CONTROLS (UK) LTD



Fine Controls have been supplying process controls & instrumentation equipment since 1994, & now serves an ever expanding customer base, both in the UK & globally.

We offer a full range of valve & instrumentation products & services, with our product range representing leading technologies & brands:

**Flow:** Flow Meters & Transmitters, Flow Switches, Flow Control Valves & Batch Control Systems

**Temperature:** Temperature Probes & Thermowells, Temperature transmitters, Temperature Regulators & Temperature Displays

**Level:** Level Transmitters & Switches

**Pressure:** Pressure Gauges & Transmitters, Precision & High Pressure Regulators & I-P Converters, Volume boosters.

**Precision Pneumatics:** Pressure Regulators, I-P Converters, Volume Boosters, Vacuum Regulators

**Valves:** Solenoid & Pneumatic Valves, Control Valves & Positioners, Actuated Ball, Globe or Diaphragm Valves & Isolation Valves

**Services:** Repair, Calibration, Panel Build, System Design & Commissioning

A rotork® Brand  
**FAIRCHILD**



**bürkert**



**SIEMENS**



**alcon**  
SOLENOID VALVES

A rotork® Brand



**MIDLAND-ACS**  
A rotork® Brand



**Honeywell**



**Bourdon**  
Baumer Group



**SOLDO**  
CONTROLS

A rotork® Brand



Fine Controls (UK) LTD, Bassendale Road, Croft Business Park,  
Bromborough, Wirral, CH62 3QL UK  
Tel: 0151 343 9966  
Email: sales@finecontrols.com



## 2/2-way Solenoid Valve for neutral media and steam

- Piston-operated valve with pressure relief
- Switches without differential pressure
- For neutral media and steam
- Temperatures up to +160 °C
- Fast switching

Type 6038 can be combined with...



**Type 2508**

Cable plug



**Type 1078**

Timer unit



**Type 2511**

ASI cable plug



**Type 8600**

Dosing control

The Type 6038 valve is a 2/2-way solenoid valve with direct acting switching character, closed by spring force. It is pressure-relieved and switches without differential pressure.

The magnetic core is linked to the seat tube. When the magnetic core is activated, a drilled hole is opened up by a pre-stroke. The core area within the valve is relieved of pressure, and the valve is opened through magnetic force. In the inactive state, the valve is closed by a pressure spring. In doing this, the closing force of the spring is assisted by the pressure of the medium on the magnetic core.

### Caution waterhammer danger!

The valves switch very quickly. If liquid media is used with high differential pressures, high pressure peaks (waterhammer) can occur.

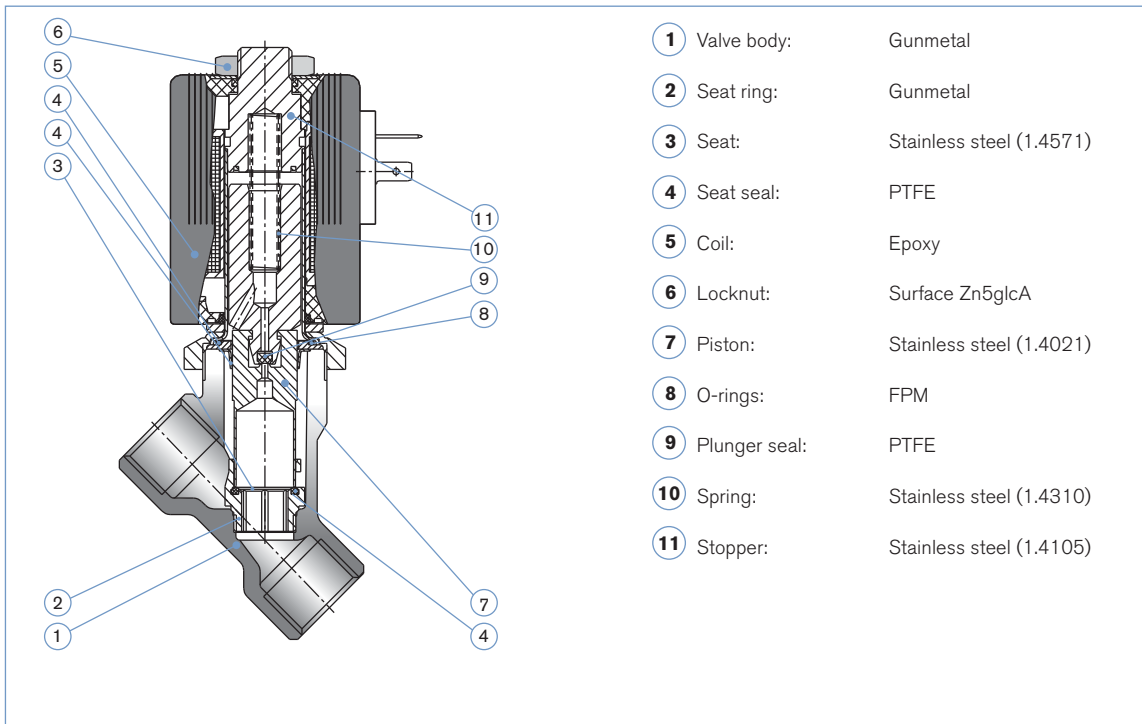
Technical data	
<b>Orifice</b>	DN 12
<b>Body material</b>	Gunmetal
<b>Valve internals</b>	Stainless steel and brass
<b>Seal material</b>	PTFE
<b>Media</b>	Neutral media, preferably steam
<b>Media temperature</b>	0 to +160 °C
<b>Ambient temperature</b>	Max. +55 °C
<b>Operating voltage</b> DN 12 other voltages	24/110/230 V / 50-60 Hz on request
<b>Voltage tolerance</b>	±10%
<b>Duty cycle</b>	100% continuous rating
<b>Electrical connection</b>	Tag connector sideways acc. DIN EN 175301-803 Form A (for cable plugs Type 2508, see Accessories)
<b>Protection class</b>	IP 65 with cable plug

## Technical data

Orifice [mm]	Port connection [inch]	Kv value water (m <sup>3</sup> /h)	Pressure range [bar] <sup>1)</sup>	Power consumption		Response times		Weight [kg]
				Inrush [VA]	Hold [VA/W]	Opening [ms]	Closing [ms]	
12	G 3/8, G 1/2	2.2	0-10	106	38/18	20	60	0.9

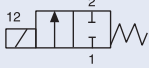
- Kv value [m<sup>3</sup>/h]: Flow rate value for water, measured at +20 °C, 1 bar<sup>1)</sup> Pressure at valve inlet and 1 bar pressure difference
- Response times [ms]: Measures at valve outlet at 6 bar<sup>1)</sup> and +20 °C acc. to ISO 12238  
*Opening:* Pressure build up 0 ... 90 %  
*Closing:* Pressure relief 100 ... 10 %

## Materials



## Ordering chart for valves (other versions on request)

All valves with gunmetal body, supplied without cable plug (see Accessories)

Circuit function	Orifice [mm]	Kv value water [m <sup>3</sup> /h]	Pressure range [bar]	Port connection	Seal material	Voltage/frequency [V/Hz]	Item no.
A 2/2-way valve NC 	12	2.2	0-10	G 3/8	PTFE	024/50-60	140 427
						110/50-60	140 428
						230/50-60	140 429
				G 1/2	PTFE	024/50-60	140 430
						110/50-60	140 431
						230/50-60	140 432

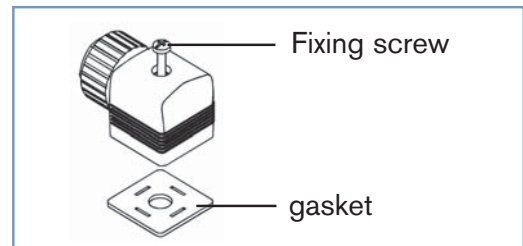
## Ordering chart for valves (cable plug Type 2508 acc. DIN EN 175301-803 Form A)

The delivery of a cable plug includes the flat seal and the fixing screw (galvanised and chrome-plated): In the case of stainless steel valves, we recommend a cable plug with a stainless steel screw (see ordering chart, without circuitry)

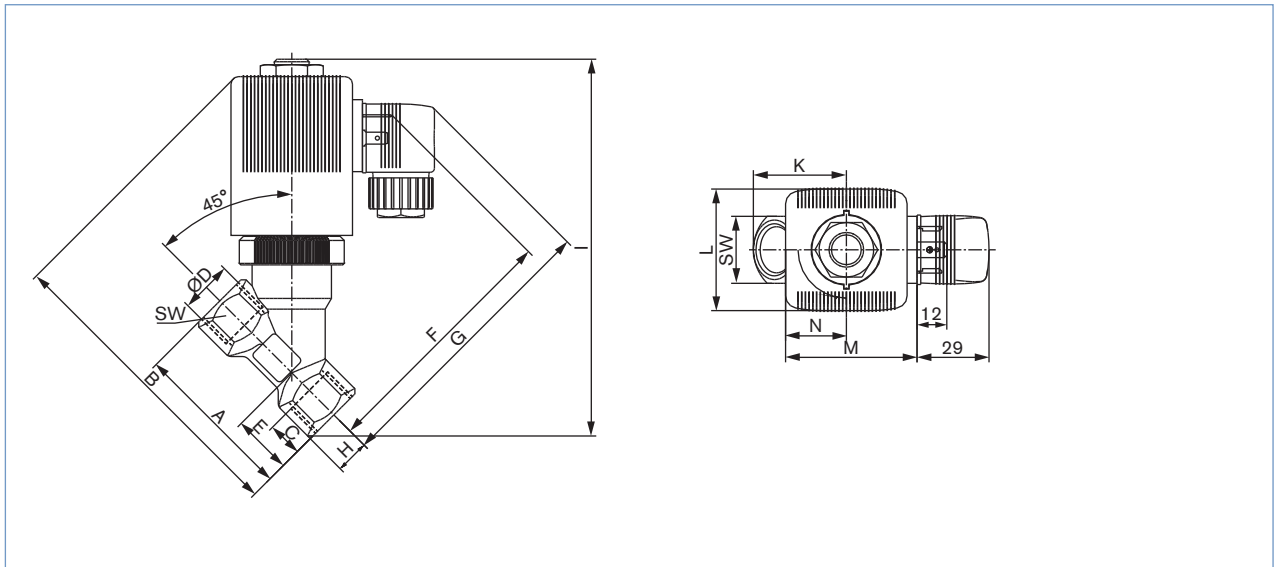
Curcuitry/version	Voltage	Item no.
Without curcuitry, standard	0-250 V AC/DC	008 376
Without curcuitry, SS screw	0-250 V AC/DC	132 445
Without curcuitry, silicone seal <sup>1)</sup>	0-250 V AC/DC	131 874
With LED	12-24 V AC/DC	008 360
With LED and varistor	12-24 V AC/DC	008 367
With LED	200-240 V AC/DC	008 362
With LED and varistor	200-240 V AC/DC	008 369
Further versions please see Datasheet Type 2508		

<sup>1)</sup> Silicone seal for higher temperatures; otherwise NBR flat seal

### Cable plug Type 2508



**Dimensions [mm]**



Orifice [mm]	Ø D port conn. [inch]	C thread depth [mm]	A [mm]	B [mm]	E [mm]	F [mm]	G [mm]	H [mm]	I [mm]	K [mm]	L [mm]	M [mm]	N [mm]	SW [mm]
12	G 3/8	12	65	124.5	24	102	116	13.5	152	37.5	49	53	24.5	27
12	G 1/2	14	65	124.5	24	102	116	13.5	152	37.5	49	53	24.5	27

DTS 1000011042 EN Version: E Status: RL (released | freigegeben | validé) printed: 19.02.2009

To find your nearest Bürkert facility, click on the orange box → [www.burkert.com](http://www.burkert.com)

In case of special application conditions,  
please consult for advice.

Subject to alteration.  
© Christian Bürkert GmbH & Co. KG

0902/2\_EU-en\_00891739