

FINE CONTROLS (UK) LTD



Fine Controls have been supplying process controls & instrumentation equipment since 1994, & now serves an ever expanding customer base, both in the UK & globally.

We offer a full range of valve & instrumentation products & services, with our product range representing leading technologies & brands:

Flow: Flow Meters & Transmitters, Flow Switches, Flow Control Valves & Batch Control Systems

Temperature: Temperature Probes & Thermowells, Temperature transmitters, Temperature Regulators & Temperature Displays

Level: Level Transmitters & Switches

Pressure: Pressure Gauges & Transmitters, Precision & High Pressure Regulators & I-P Converters, Volume boosters.

Precision Pneumatics: Pressure Regulators, I-P Converters, Volume Boosters, Vacuum Regulators

Valves: Solenoid & Pneumatic Valves, Control Valves & Positioners, Actuated Ball, Globe or Diaphragm Valves & Isolation Valves

Services: Repair, Calibration, Panel Build, System Design & Commissioning

A rotork® Brand
FAIRCHILD



bürkert



SIEMENS



alcon
SOLENOID VALVES

A rotork® Brand



MIDLAND-ACS
A rotork® Brand



Honeywell



Bourdon
Baumer Group



SOLDO
CONTROLS

A rotork® Brand



Fine Controls (UK) LTD, Bassendale Road, Croft Business Park,
Bromborough, Wirral, CH62 3QL UK
Tel: 0151 343 9966
Email: sales@finecontrols.com



Type 6027 Compact can be combined with...



Type 2508
Cable plug



Type 1078
Timer unit



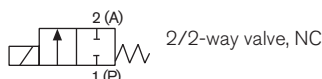
Type 2511
ASI cable plug

2/2-way Compact Solenoid Valve, G 1/4 - G 1/2

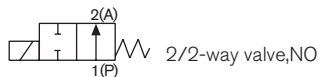
- Direct-acting, normally closed
- Brass and stainless steel body
- Electrical connection cable plug Form A
- High pressure version up to 100 bar
- High temperature version up to +180 °C

Type 6027 is a direct-acting solenoid valve used for shut-off, dosing, filling, and ventilation. The push-over solenoid system is of modular design and the coil can be rotated 360°.

Circuit function A



Circuit Function B



Technical data	
Port connection	G 1/4, G 3/8, G 1/2 (NPT and Rc on request)
Orifice	DN 2.0 - 12.0
Body material	Brass or stainless steel 1.4404 (316L)
Coil material	Epoxy
Coil insulation class	Epoxy class H
Seal material	FKM, PTFE/FKM and PTFE/graphite for high temperature versions (EPDM on request)
Medium	Vacuum, neutral gases and liquids (e.g. compressed air, town gas, natural gas, water, hydraulic oil, petrol) and slightly aggressive medium (stainless steel version) Hot fluids and steam (only with stainless steel body)
High temperature version	
Medium temperature	
Seal material FKM, PTFE/FKM	-10 to +120°C
Seal material PTFE/graphite	-40 to +180 °C
Ambient temperature	-10 to +55°C
Viscosity	max. 21 mm ² /s
Voltages	24 V DC, 24 V/50 Hz, 230 V/50 Hz
Voltage tolerance	±10%
Duty cycle / single valve	100 % continuous operation
Electrical connection	According to DIN EN 175301-803 Form A for cable plug Type 2508 (see Ordering chart for accessories)
Protection class	IP65 with Cable Plug
Installation	As required, preferably with actuator in upright position

Technical data (cont.)

Power consumption				
Orifice [mm]	Power consumption			DC (hot/cold coil) [W]
	Inrush AC [VA]	Hold AC (hot coil) [VA]	[W]	
2.0-12.0	105	37	16	16 / 21

Response times				
Orifice [mm]	Response times AC		Response times DC	
	Opening [ms]	Closing [ms]	Opening [ms]	Closing [ms]
2.0-12.0	10-20	20-30	20-80	20-30

Response times [ms]:
 Measured at valve outlet at 6 bar and +20°C.
 Opening: pressure build-up 0 to 90% Closing: Pressure relief 100 to 10%

Ordering chart for valves with brass or stainless steel body, standard temperature version

Valves with AC19 coil (42 mm), seal material FKM, without cable plug

Circuit function	Port connection	Orifice [mm]	Kv value water [m3/h] ¹⁾	Pressure range [bar] ²⁾ for liquid and gaseous medium		Item no. per voltage/frequency [V/Hz]				
				DC	AC	024/DC	024/50	230/50		
				Seal material FKM, medium temperature -10 to +120°C						
A 2/2-way valve NC										
	Brass body									
		Threaded port	G 1/4	3.0	0.28	0-30	0-25	178 295	178 296	178 297
				4.0	0.54	0-12	0-16	178 299	178 300	178 301
				5.0	0.73	0-6	0-10	178 303	178 304	178 305
			G 3/8	6.0	0.95	0-3	0-6	178 307	178 308	178 309
				3.0	0.28	0-30	0-25	178 311	178 312	178 313
				4.0	0.54	0-12	0-16	178 315	178 316	178 317
		G 1/2	5.0	0.73	0-6	0-10	178 319	178 320	178 321	
			6.0	0.95	0-3	0-6	178 323	178 324	178 325	
			8.0	1.6	0-1	0-3	178 327	178 328	178 329	
			6.0	0.95	0-3	0-6	178 331	178 332	178 333	
			8.0	1.6	0-1	0-3	178 335	178 336	178 337	
			10.0	1.8	0-0.4	0-2.0	178 339	178 340	178 341	
	Stainless steel 1.4404 (316L)									
		Threaded port	G 1/4	3.0	0.28	0-30	0-25	178 239	178 240	178 241
				4.0	0.54	0-12	0-16	178 243	178 244	178 245
				5.0	0.73	0-6	0-10	178 247	178 248	178 249
			G 3/8	6.0	0.95	0-3	0-6	178 251	178 252	178 253
				3.0	0.28	0-30	0-25	178 255	178 256	178 257
				4.0	0.54	0-12	0-16	178 259	178 260	178 261
G 1/2		5.0	0.73	0-6	0-10	178 263	178 264	178 265		
		6.0	0.95	0-3	0-6	178 267	178 268	178 269		
		8.0	1.6	0-1	0-3	178 271	178 272	178 273		
		6.0	0.95	0-3	0-6	178 275	178 276	178 277		
		8.0	1.6	0-1	0-3	178 279	178 280	178 281		
		10.0	1.8	0-0.4	0-2.0	178 283	178 284	178 285		
B 2/2-way valve NO										
	Brass body									
		G1/4	3	0.28	0-16		211 914	■	■	
			4	0.54	0-10		208 623	■	■	
			6	0.95	0-6		211 915	■	■	
			G1/2	8	1.6	0-3		211 916	■	■
10				1.8	0-2		210 436	■	■	

¹⁾ Measured at +20 °C, 1 bar²⁾ pressure at valve inlet and free outlet
²⁾ Measured as overpressure to the atmospheric pressure

■ on request

Please note that the cable plug has to be ordered separately, see accessories on page 5 and separate datasheet for Type 2508.

i Further versions on request

Materials
 Seal material EPDM, PTFE

Port connection
 NPT, Rc

Voltage
 Non-standard voltages

Approvals
 ATEX

Pressure
 Higher pressures for gaseous medium

Additional
 Oxygen versions

Ordering chart for valves with brass body, standard temperature and high pressure version

All valves with AC19 coil (42 mm), seal material PTFE/FKM, without Cable Plug

Circuit function	Port connection	Orifice [mm]	Kv value water [m ³ /h] ¹⁾	Pressure range [bar] ²⁾ for liquid and gaseous medium			Item no. per voltage/frequency [V/Hz]			
				DC for liquid and gaseous medium	AC		024/DC	024/50	230/50	
					Liquids	Gaseous medium				
A 2/2-way valve NC 	Seal material PTFE/FKM, medium temperature -10 to +120°C									
	Brass body									
	Threaded port 	G 1/4	2.0	0.14	0-80	0-75	0-80	184 667	■	184 668
			4.0	0.54	0-20	0-30	0-50	184 670	■	184 671
			6.0	0.95	0-4	0-14	0-16	184 674	■	184 675
		G 3/8	6.0	0.95	0-4	0-14	0-16	184 677	■	184 678
			8.0	1.6	0-1	0-6	0-6	184 680	■	184 681
			8.0	1.6	0-1	0-6	0-6	184 683	■	184 684
		G 1/2	10.0	1.8	0-0.4	0-2	0-3	184 686	■	184 687

¹⁾ Measured at +20 °C, 1 bar²⁾ pressure at valve inlet and free outlet

²⁾ Measured as overpressure to the atmospheric pressure

■ on request

Please note that the cable plug has to be ordered separately, see accessories on page 5 and separate datasheet for Type 2508.

Ordering chart valves with stainless steel body, also for high temperatures and high pressure

All valves with AC19 coil (42 mm), seal material PTFE/graphite, without Cable Plug

Circuit function	Port connection	Orifice [mm]	Kv value water [m ³ /h] ¹⁾	Pressure range [bar] ²⁾ for liquid and gaseous medium			Item no. per voltage/frequency [V/Hz]				
				DC for liquid and gaseous medium	AC		024/DC	024/50	230/50		
					Liquids	Gaseous medium					
A 2/2-way valve NC 	Seal material PTFE/graphite, also for high temperatures up to +180°C										
	Stainless steel body										
	Threaded port 	G 1/4	2.0	0.14	0-100	0-75	0-100	184 689	■	184 690	
			4.0	0.54	0-20	0-30	0-50	184 692	■	184 693	
			6.0	0.95	0-4	0-14	0-16	184 695	■	184 696	
		G 3/8	8.0	1.6	0-1	0-6	0-6	184 698	■	184 699	
			G 1/2	10.0	1.8	0-0.4	0-2	0-3	184 701	■	184 702
				12.0	2.0	0-0.2	0-1.2	0-2	184 704	■	184 705

¹⁾ Measured at +20 °C, 1 bar²⁾ pressure at valve inlet and free outlet

²⁾ Overpressure with respect to atmospheric pressure

■ on request

Please note that the cable plug has to be ordered separately, see accessories on page 5 and separate datasheet for Type 2508.

i Further versions on request



Materials

Seal material EPDM, PTFE



Port connection

NPT, Rc



Voltage

Non-standard voltages



Approvals

ATEX



Pressure

Higher pressures for gaseous medium

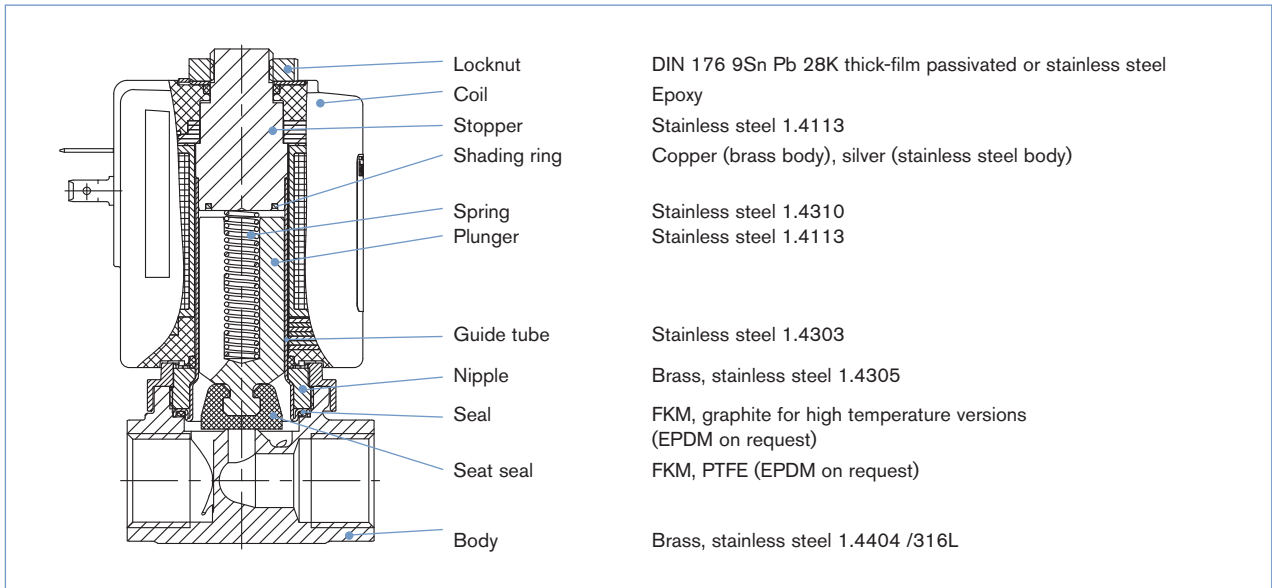


Additional

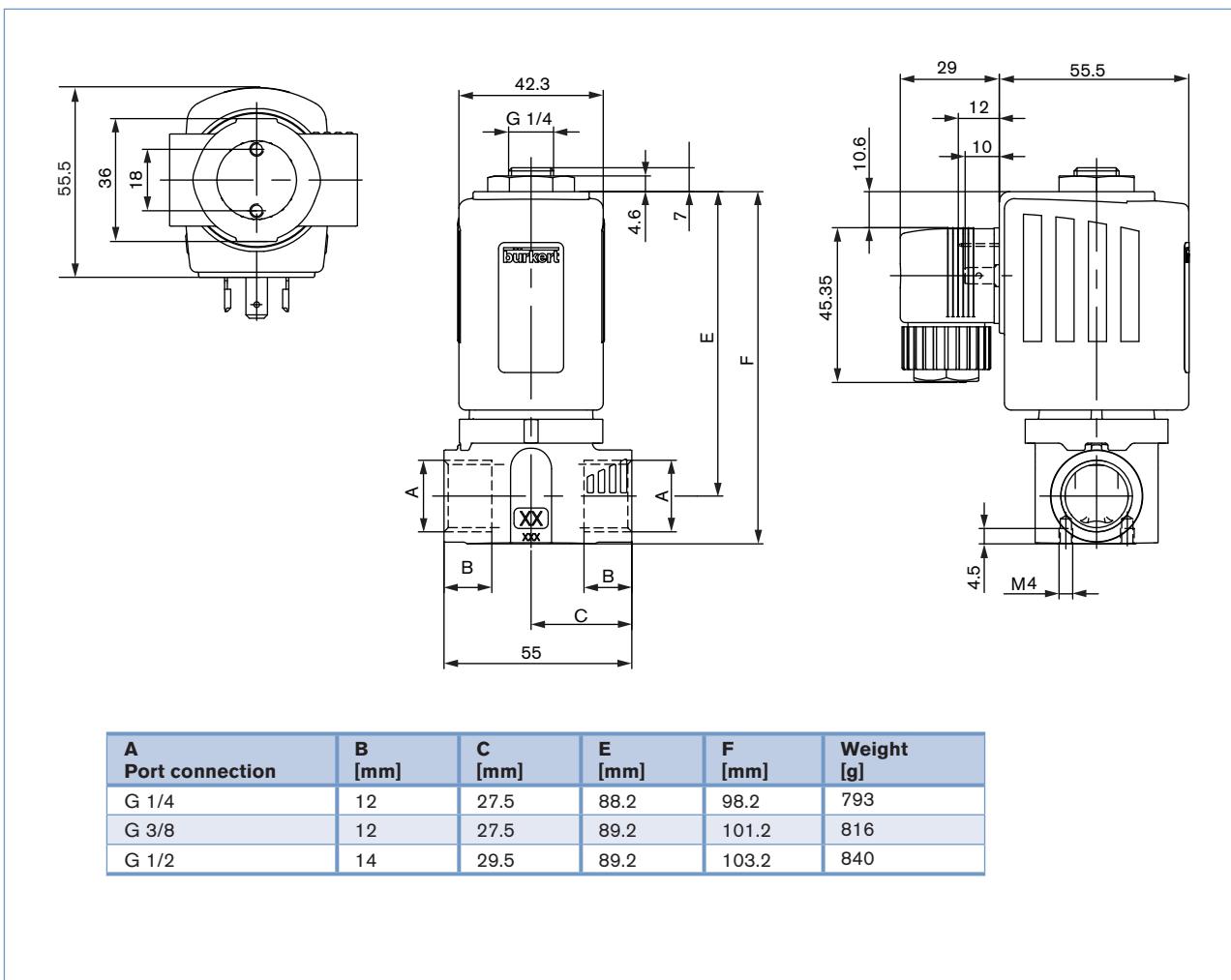
Oxygen versions

DTS 1000089742 EN Version: I Status: RL (released | freigegeben | valide) printed: 06.04.2010

Materials




Dimensions [mm]

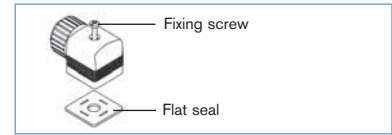


DTS 1000089742 EN Version: I Status: RL (released | freigegeben | valide) printed: 06.04.2010

Ordering chart accessories

Cable plug Type 2508 according to DIN EN 175301-803 Form A

	Circuit	Voltage/ Frequency	Item no.
	without (Standard)	0 - 250 V AC/DC	008 376
	with LED	12 - 24 V AC/DC	008 360
	with LED and varistor	12 - 24 V AC/DC	008 367
	with rectifier, LED and varistor	12 - 24 V AC/DC	008 363
	with LED	200- 240V	008 362
	with LED and varistor	200- 240V	008 369
further versions see datasheet Type 2508			



Included in delivery is a connector with flat seal and fixing screw. For other cable plug versions according to DIN EN 175301-803 (previously DIN 43650) Form A, see separate datasheet for Type 2508. When you click on the orange box "More info." below, you will come to our website for the resp. product where you can download the datasheet.

**More
info.**

To find your nearest Bürkert facility, click on the orange box →

www.burkert.com