

FINE CONTROLS (UK) LTD



Fine Controls have been supplying process controls & instrumentation equipment since 1994, & now serves an ever expanding customer base, both in the UK & globally.

We offer a full range of valve & instrumentation products & services, with our product range representing leading technologies & brands:

Flow: Flow Meters & Transmitters, Flow Switches, Flow Control Valves & Batch Control Systems

Temperature: Temperature Probes & Thermowells, Temperature transmitters, Temperature Regulators & Temperature Displays

Level: Level Transmitters & Switches

Pressure: Pressure Gauges & Transmitters, Precision & High Pressure Regulators & I-P Converters, Volume boosters.

Precision Pneumatics: Pressure Regulators, I-P Converters, Volume Boosters, Vacuum Regulators

Valves: Solenoid & Pneumatic Valves, Control Valves & Positioners, Actuated Ball, Globe or Diaphragm Valves & Isolation Valves

Services: Repair, Calibration, Panel Build, System Design & Commissioning

A rotork® Brand
FAIRCHILD



bürkert



SIEMENS



alcon
SOLENOID VALVES

A rotork® Brand



MIDLAND-ACS
A rotork® Brand



Honeywell



Bourdon
Baumer Group



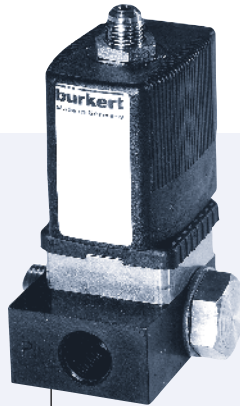
SOLDO
CONTROLS

A rotork® Brand

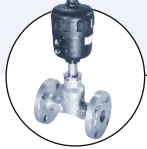


Fine Controls (UK) LTD, Bassendale Road, Croft Business Park,
Bromborough, Wirral, CH62 3QL UK
Tel: 0151 343 9966
Email: sales@finecontrols.com

3/2-way Direct Mounting Pilot Valve



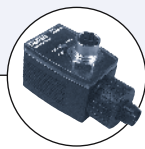
Type 6014P can be combined with...



Type 2012
Globe valve



Type 1078
Timer unit



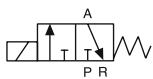
Type 2512/2511
ASI cable plug

- Suitable for all Bürkert process valves
- Ready for direct mounting
- Reduced power consumption
- Push-over solenoid coil
- Manual override

The direct acting 3/2-way valve, Type 6014 is a specially developed pilot valve for externally controlled actuators. (e.g. Type 2000, 2012, 2030, 2031). It consists of valve Type 6014 with sub-base connection and a banjo bolt connection.

With the banjo bolt the valve can be fastened very simply to the pilot air port of the actuator.

Circuit function C



3/2-way valve, NC

Technical data	
Orifice	DN 1.5 and 2.0
Material	Flange body (valve) Banjo bolt Banjo coupler
	Brass or polyamide (PA) Brass, nickel-plated resp. Aluminium, anodized Aluminium, anodized resp. IXEF® *
Seal material	FKM
Media	Neutral gases and fluids, compressed air
Media temperature	-10 up to +100 °C
Ambient temperature	Max. +55 °C
Voltage tolerance	±10%
Duty cycle	100% continuous rating
Electrical connection	Tag connector acc. to DIN EN 175301-803 (previously DIN 43650), Form A for cable plug
Protection class	IP 65 with cable plug
Installation	As required, preferably with actuator upright

* IXEF® is a registered trademark of SOLVAY S.A.

Power consumption				
Orifice [mm]	Inrush AC [VA]	Hold AC (hot coil)		DC (hot coil) [W]
		[VA]	[W]	
1.5	11	6	2	2
2.0	24	17	8	8

Response times				
Orifice [mm]	AC		DC	
	Opening [ms]	Closing [ms]	Opening [ms]	Closing [ms]
1,5	ca. 25	ca. 35	ca. 25	ca. 35
2,0	ca. 18	ca. 22	ca. 18	ca. 22

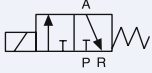
Response times [ms]:

Measured at valve outlet at 6 bar and +20 °C

Opening: pressure build-up 0 to 90%, closing: pressure relief 100 to 10%

Ordering chart for valves (other versions on requests)

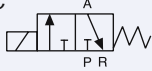
All valves with FKM seal and manual override, without cable plug
Anodised aluminium banjo coupler, nickel-plated brass banjo bolt

Circuit function	Pressure inlet P (banjo coupler)	Service port A (banjo bolt)	Orifice [mm]	QNn value air [l/min]	Material flange body	Pressure range [bar]	Power consumption [W]	Item no. per voltage/frequency [V/Hz]		
								024/DC	024/50	230/50
C 3/2-way, normally closed (NC) 	G 1/4	G 1/8	1.5	75	PA	0-6	2	424 123	424 124	424 127
		G 1/4	1.5	75	PA	0-6	2	424 118	424 119	424 122
		G 1/8	2.0	120	Brass	0-10	8	424 113	424 114	424 117
		G 1/4	2.0	120	Brass	0-10	8	424 103	424 104	424 107

Please note that the cable plug has to be ordered separately, see separate datasheet for Type 2508.

Ordering chart for valves (other versions on requests)

All valves with PA body, FKM seal and manual override, without cable plug
IXEF® banjo coupler, anodised aluminium banjo bolt

Circuit function	Pressure inlet P (banjo coupler)	Service port A (banjo bolt)	Orifice [mm]	QNn value air [l/min]	Material flange body	Pressure range [bar]	Power consumption [W]	Item no. per voltage/frequency [V/Hz]		
								024/DC	024/50	230/50
C 3/2-Wege-Ventil, NC 	G 1/8	G 1/4	1.5	75	PA	0-10	5	784 710	784 711	784 713
		G 1/8	2.0	120	PA	0-10	8	784 706	784 707	784 709
		G 1/8	2.5	174	PA	0-6	8	786 014	–	786 015

i Further versions on request



Approvals

ATEX Version (Encapsulation and intrinsically safe)
UR / UL / CSA

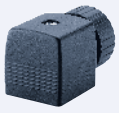


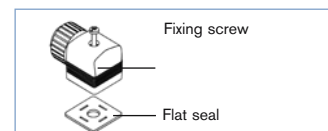
Materials

Flange body in stainless steel

Ordering chart for accessory

Cable plug Type 2508 according to DIN EN 175301-803 Form A

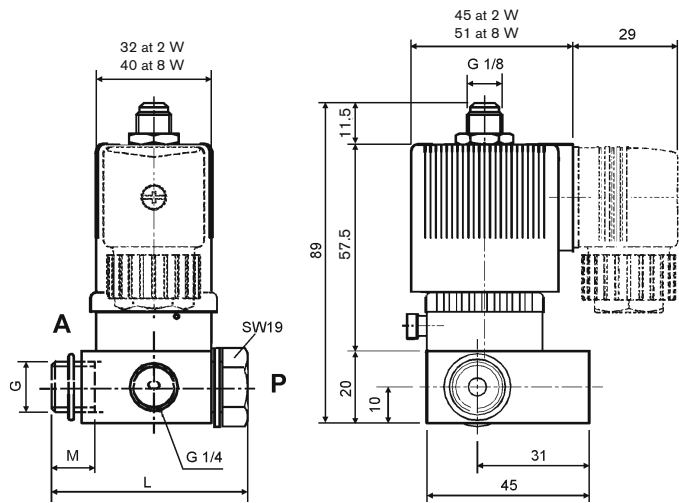
	Circuitry	Voltage / frequency	Item no.
	None (standard)	0 - 250 V AC/DC	008 376
	further versions see datasheet Type 2508		



The delivery of a cable plug includes the flat seal and the fixing screw. For other cable plug versions acc. to DIN EN 175301-803 Form A (previously DIN 43650), see Accessories p. 116 or separate datasheet Type 2508.

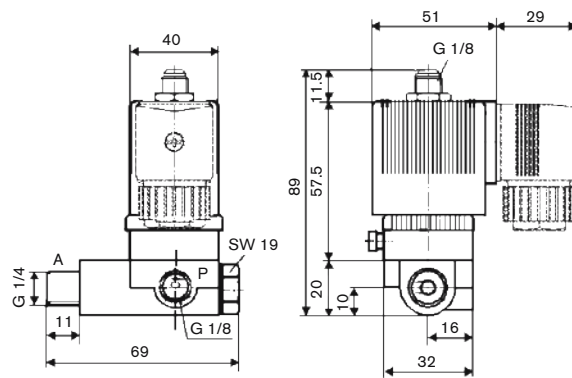
Dimensions [mm]

Anodised aluminium banjo coupler, nickel-plated brass banjo bolt



G	M	L
G 1/8	10	51
G 1/4	12	54

IXEF® Banjo coupler, anodised aluminium banjo bolt



DTS 1000101971 EN Version: - Status: RL (released | freigegeben | validé) printed: 27.08.2008

To find your nearest Bürkert facility, click on the orange box →

www.burkert.com

In case of special application conditions, please consult for advice.

We reserve the right to make technical changes without notice.

0712/1_EU-en_00895025