

FINE CONTROLS (UK) LTD



Fine Controls have been supplying process controls & instrumentation equipment since 1994, & now serves an ever expanding customer base, both in the UK & globally.

We offer a full range of valve & instrumentation products & services, with our product range representing leading technologies & brands:

Flow: Flow Meters & Transmitters, Flow Switches, Flow Control Valves & Batch Control Systems

Temperature: Temperature Probes & Thermowells, Temperature transmitters, Temperature Regulators & Temperature Displays

Level: Level Transmitters & Switches

Pressure: Pressure Gauges & Transmitters, Precision & High Pressure Regulators & I-P Converters, Volume boosters.

Precision Pneumatics: Pressure Regulators, I-P Converters, Volume Boosters, Vacuum Regulators

Valves: Solenoid & Pneumatic Valves, Control Valves & Positioners, Actuated Ball, Globe or Diaphragm Valves & Isolation Valves

Services: Repair, Calibration, Panel Build, System Design & Commissioning

A rotork® Brand
FAIRCHILD



bürkert



SIEMENS



alcon
SOLENOID VALVES

A rotork® Brand



MIDLAND-ACS
A rotork® Brand



Honeywell



Bourdon
Baumer Group



SOLDO
CONTROLS

A rotork® Brand

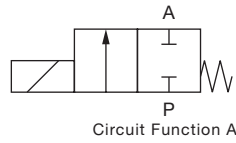


Fine Controls (UK) LTD, Bassendale Road, Croft Business Park,
Bromborough, Wirral, CH62 3QL UK
Tel: 0151 343 9966
Email: sales@finecontrols.com

Compact Solenoid Valve Threaded Port G 1/8 – G 1/4; Sub-base Connection



6013 Ex



2/2-Way; PN up to 10 bar

- ✓ II 2G EEx em II T4 PTB 00 ATEX II 2D IP65 T135 °C PTB 00 ATEX 2129X
- ✓ Coil lockable in 4 x 90° positions or freely movable in between, as required
- ✓ High-quality seal material FKM as standard

Hazardous Areas

6013
Ex

The valves are based on a modular concept comprising two basic elements: Valve body and push-over coil with moulded-in cable or with terminal box.
The valve body consists of a body to which the armature guide tube containing the plunger, seals and springs is attached.
The coil is pushed over the guide tube and thus isolated from the medium.
The medium is only in contact with the valve internals and body.
Valves are available in polyamide, brass or stainless steel, all with high quality FKM seals as standard.

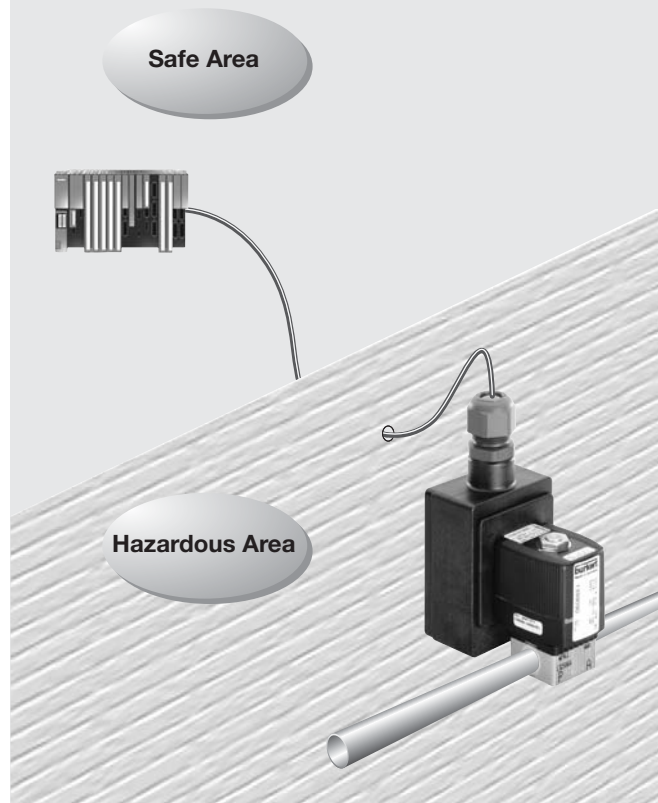
Operating Data – Valve

| | |
|------------------|--|
| Pressure range | 0 – 10 bar (see specifications) |
| Port Connections | Threaded port G 1/8" – G 1/4" or Sub-base connection |
| Orifice | DN 2.0 up to 6.0 mm |
| Fluids | |
| Brass | <ul style="list-style-type: none"> • Neutral gases and liquids, e.g. compressed air, town gas, natural gas, water, hydraulic oil and petrol • Difficult and slightly aggressive media • Suitable for technical vacuum |
| Stainless Steel | |
| Temperatures | |
| Medium | -10 up to +90°C |
| Ambient | -30 up to +60°C |
| Max. viscosity | 21 mm ² /s |
| Response times | |
| Opening | AC, DC 20 ms |
| Closing | AC, DC 30 ms |
| Installation | As required, but preferably with solenoid system upright |

Operating Data – Actuator

| | |
|--------------------|--|
| Operating voltages | 24, 110, 230 V/UC |
| Voltage tolerance | ± 10% |
| Duty cycle | 100% continuously rated |
| Cycling rate | up to 1'000 c.p.m. |
| Rating | IP65 |
| Approvals | <ul style="list-style-type: none"> • EEx m II T4 with moulded cable • EEx me II T4 with terminal box |

- Applications:**
- Chemical industry
 - Pharmaceutical processing equipment
 - Industrial waste water treatment
 - Oil and gas industry



Compact Solenoid Valve Threaded Port G 1/8 – G 1/4; Sub-base Connection



Specifications - Ordering Chart (Other Versions on Request)

EEx m II T4 approved

Seal material FKM, moulded cable (3 m), single mounting only, without manual override

| Circuit function | Orifice DN [mm] | Port connection [inch] | Kv-Value (water) [m³/h] | Power consumption [W] | Pressure range [bar] | Voltage/Frequency [V/Hz] | Item-No. Body material | |
|------------------|-----------------|------------------------|-------------------------|-----------------------|----------------------|--------------------------|------------------------|-----------------|
| | | | | | | | Brass | Stainless Steel |
| A | 2.0 | Sub-base | 0.11 | 7 | 0 – 6.0 | 24/UC | 139 895 P | – |
| A | 2.0 | Sub-base | 0.11 | 7 | 0 – 6.0 | 230/UC | 139 896 Q | – |
| A | 2.0 | G 1/8 | 0.12 | 9 | 0 – 10.0 | 24/UC | 136 039 L | 136 027 G |
| A | 2.0 | G 1/8 | 0.12 | 9 | 0 – 10.0 | 110/UC | 136 040 Z | 136 028 R |
| A | 2.0 | G 1/8 | 0.12 | 9 | 0 – 10.0 | 230/UC | 136 041 N | 136 029 J |
| A | 2.0 | G 1/4 | 0.12 | 9 | 0 – 10.0 | 24/UC | 139 892 L | 139 887 P |
| A | 2.0 | G 1/4 | 0.12 | 9 | 0 – 10.0 | 110/UC | 139 893 M | 139 888 Y |
| A | 2.0 | G 1/4 | 0.12 | 9 | 0 – 10.0 | 230/UC | 139 894 N | 139 889 Z |
| A | 2.5 | G 1/8 | 0.16 | 9 | 0 – 8.0 | 24/UC | 136 042 P | – |
| A | 2.5 | G 1/8 | 0.16 | 9 | 0 – 8.0 | 110/UC | 136 043 Q | – |
| A | 2.5 | G 1/8 | 0.16 | 9 | 0 – 8.0 | 230/UC | 136 044 R | – |
| A | 3.0 | G 1/8 | 0.23 | 9 | 0 – 5.0 | 24/UC | 136 045 J | 136 030 P |
| A | 3.0 | G 1/8 | 0.23 | 9 | 0 – 5.0 | 110/UC | 136 046 K | 136 031 C |
| A | 3.0 | G 1/8 | 0.23 | 9 | 0 – 5.0 | 230/UC | 136 047 L | 136 032 D |
| A | 3.0 | G 1/4 | 0.23 | 9 | 0 – 5.0 | 24/UC | 136 048 V | 136 033 E |
| A | 3.0 | G 1/4 | 0.23 | 9 | 0 – 5.0 | 110/UC | 136 049 W | 136 034 F |
| A | 3.0 | G 1/4 | 0.23 | 9 | 0 – 5.0 | 230/UC | 136 050 T | 136 035 G |
| A | 4.0 | G 1/4 | 0.30 | 9 | 0 – 1.2 | 24/UC | 136 051 Q | 136 036 H |
| A | 4.0 | G 1/4 | 0.30 | 9 | 0 – 1.2 | 110/UC | 136 052 R | 136 037 A |
| A | 4.0 | G 1/4 | 0.30 | 9 | 0 – 1.2 | 230/UC | 136 053 J | 136 038 K |
| A | 6.0 | G 1/4 | 0.55 | 9 | 0 – 0.4 | 24/UC | 136 054 K | 139 890 W |
| A | 6.0 | G 1/4 | 0.55 | 9 | 0 – 0.4 | 110/UC | 136 055 L | – |
| A | 6.0 | G 1/4 | 0.55 | 9 | 0 – 0.4 | 230/UC | 136 056 M | 139 891 K |

EEx me II T4 approved

Seal material FKM, terminal box (not fused), single mounting only, without manual override

| Circuit Function | Orifice DN [mm] | Port connection [inch] | Kv-Value (water) [m³/h] | Power consumption [W] | Pressure range [bar] | Voltage/Frequency [V/Hz] | Item-No. Body material | |
|------------------|-----------------|------------------------|-------------------------|-----------------------|----------------------|--------------------------|------------------------|-----------------|
| | | | | | | | Brass | Stainless Steel |
| A | 2.0 | G 1/8 | 0.12 | 9 | 0 – 10.0 | 24/UC | 139 909 D | 139 897 R |
| A | 2.0 | G 1/8 | 0.12 | 9 | 0 – 10.0 | 230/UC | 139 910 Z | 139 898 S |
| A | 2.0 | G 1/4 | 0.12 | 9 | 0 – 10.0 | 24/UC | 139 911 N | 139 899 T |
| A | 2.0 | G 1/4 | 0.12 | 9 | 0 – 10.0 | 230/UC | 139 912 P | 139 900 G |
| A | 2.5 | G 1/8 | 0.16 | 9 | 0 – 8.0 | 24/UC | 139 913 Q | – |
| A | 2.5 | G 1/8 | 0.16 | 9 | 0 – 8.0 | 230/UC | 139 914 R | – |
| A | 3.0 | G 1/8 | 0.23 | 9 | 0 – 5.0 | 24/UC | 139 915 J | 139 901 V |
| A | 3.0 | G 1/8 | 0.23 | 9 | 0 – 5.0 | 230/UC | 139 916 K | 139 902 W |
| A | 3.0 | G 1/4 | 0.23 | 9 | 0 – 5.0 | 24/UC | 139 917 L | 139 903 X |
| A | 3.0 | G 1/4 | 0.23 | 9 | 0 – 5.0 | 230/UC | 139 918 V | 139 904 Y |
| A | 4.0 | G 1/4 | 0.30 | 9 | 0 – 1.2 | 24/UC | 139 919 W | 139 905 Z |
| A | 4.0 | G 1/4 | 0.30 | 9 | 0 – 1.2 | 230/UC | 139 920 T | 139 906 S |
| A | 6.0 | G 1/4 | 0.55 | 9 | 0 – 0.4 | 24/UC | 139 921 Q | 139 907 T |
| A | 6.0 | G 1/4 | 0.55 | 9 | 0 – 0.4 | 230/UC | 139 922 R | 139 908 C |

Accessories (Medium Slow to Blow Fuses)

| Voltage [V] | Power cons. [W] | Fuse rating [mA] | Item-No. |
|-------------|-----------------|------------------|-----------|
| 24 | 7 | 800 | 153 737 V |
| 110 | 7 | 160 | 007 070 A |
| 230 | 7 | 80 | 006 840 A |
| 24 | 9 | 1000 | 007 077 V |
| 110 | 9 | 250 | 153 732 Y |
| 230 | 9 | 100 | 007 068 C |

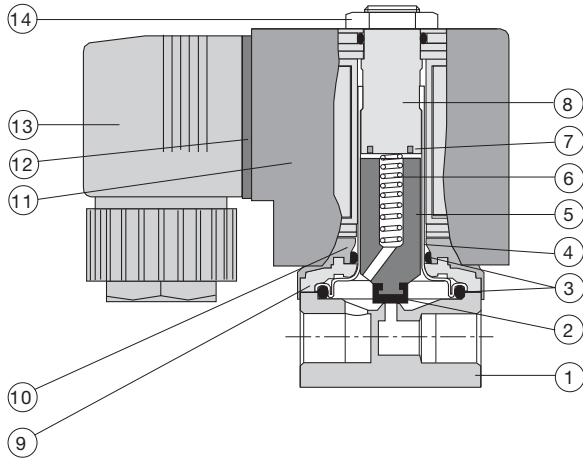
Compact Solenoid Valve Threaded Port G 1/8 – G 1/4; Sub-base Connection



Hazardous Areas

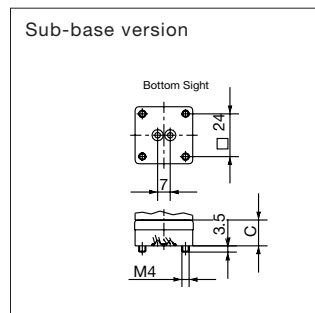
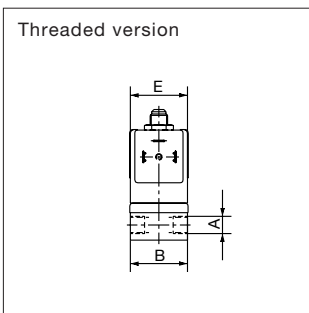
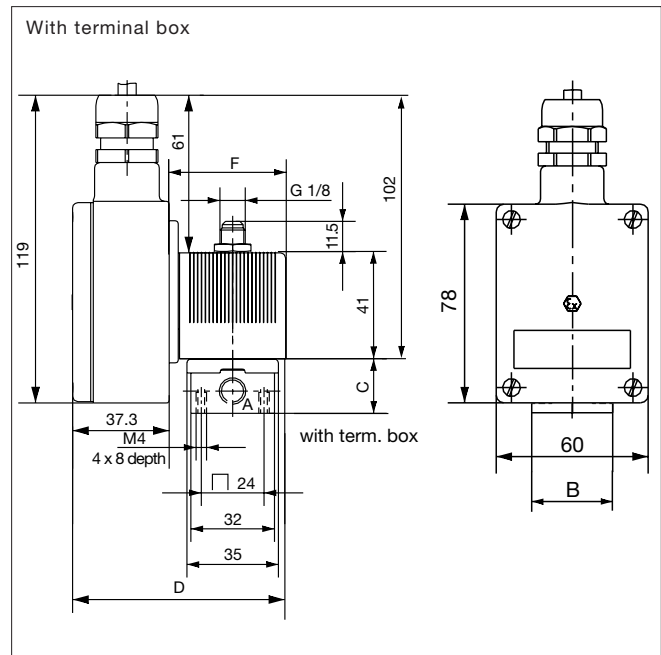
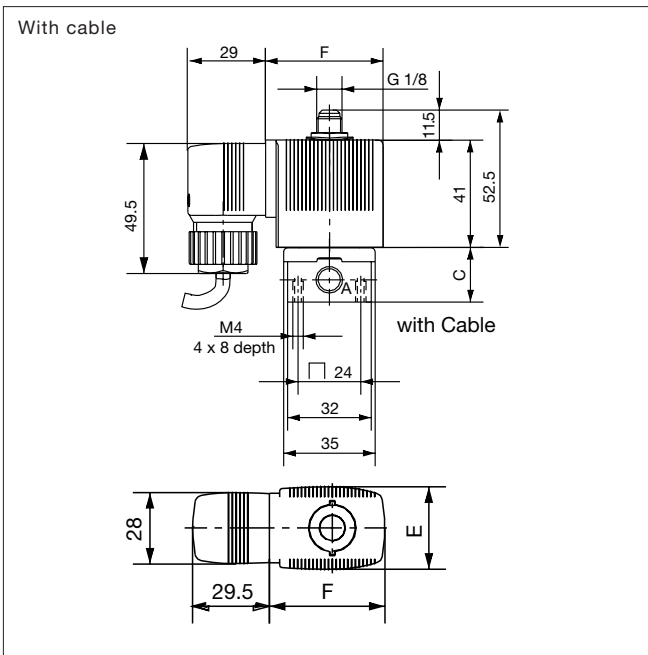
6013
Ex

Materials



- | | |
|------------------------|--|
| 1 Valve body: | Brass, SS 1.4305 (G1/8") SS 1.4401 (G1/4") |
| 2 Plunger-seal: | FKM |
| 3 O-rings: | FKM |
| 4 Armature guide tube: | 1.4303 |
| 5 Plunger: | 1.4105 |
| 6 Spring: | 1.4310 |
| 7 Shading ring: | Cu (brass version) Ag (stainless steel version) |
| 8 Stopper: | 1.4105 |
| 9 Flange: | Zn3 gl cC (surface) |
| 10 Bonnet: | Durethan BKV30H |
| 11 Coil: | PA (Polyamide) |
| 12 Flat seal: | NBR |
| 13 Cable plug: | PA (Polyamide) |
| 14 Locknut: | 9SMnPb28K (surface Zn5glcA) |

Dimensions [mm]



| | Armature | | | | | | Coil size |
|---------------|----------|----|------|------|----|----|-----------|
| | A | B | C | D | E | F | |
| Threaded Port | 1/8 | 32 | 20.8 | 32.6 | 32 | 45 | 32 |
| | 1/4 | 46 | 26.8 | 49 | 40 | 51 | 40 |
| Sub-base | 1/8 | 32 | 14.3 | 32.6 | 32 | 45 | 32 |

Compact Solenoid Valve Threaded Port G 1/8 – G 1/4; Sub-base Connection



Hazardous Areas

6013

Ex

DTS 1000011034 EN Version: C Status: RL (released | freigegeben | validé) printed: 13.08.2008

In case of special application requirements,
please consult for advice.

We reserve the right to make technical changes without notice.
0603/1_EU-en_0891731