

# FINE CONTROLS (UK) LTD



Fine Controls have been supplying process controls & instrumentation equipment since 1994, & now serves an ever expanding customer base, both in the UK & globally.

We offer a full range of valve & instrumentation products & services, with our product range representing leading technologies & brands:

**Flow:** Flow Meters & Transmitters, Flow Switches, Flow Control Valves & Batch Control Systems

**Temperature:** Temperature Probes & Thermowells, Temperature transmitters, Temperature Regulators & Temperature Displays

**Level:** Level Transmitters & Switches

**Pressure:** Pressure Gauges & Transmitters, Precision & High Pressure Regulators & I-P Converters, Volume boosters.

**Precision Pneumatics:** Pressure Regulators, I-P Converters, Volume Boosters, Vacuum Regulators

**Valves:** Solenoid & Pneumatic Valves, Control Valves & Positioners, Actuated Ball, Globe or Diaphragm Valves & Isolation Valves

**Services:** Repair, Calibration, Panel Build, System Design & Commissioning

 A rotork® Brand  
**FAIRCHILD**



**bürkert**



**SIEMENS**



**alcon**  
SOLENOID VALVES

A rotork® Brand



**MIDLAND-ACS**  
A rotork® Brand



**Honeywell**



 **Bourdon**  
Baumer Group



**SOLDO**  
CONTROLS

A rotork® Brand

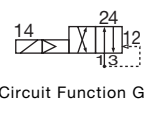


Fine Controls (UK) LTD, Bassendale Road, Croft Business Park,  
Bromborough, Wirral, CH62 3QL UK  
Tel: 0151 343 9966  
Email: sales@finecontrols.com

# 4/2 Way Solenoid Valve Servo-Assisted



5413



## G 1/4, Polyamide Body

- ✓ Suitable for Manifold Mounting
- ✓ High Flow Rates
- ✓ Manual Override as Standard

Type 5413 is a 4/2 way solenoid valve with a poppet design. An epoxy-encapsulated 3/2 way pilot solenoid valve provides the control. The valve consists basically of two inter-connected 3/2 way valves of opposite function feeding ports A (NC) and B (NO). A min. pressure differential of 1 bar is required to provide reliable switching. The valves can be multi-manifold mounted into assemblies on double-channel manifolds for main air supply and exhaust.

### Process Specification

<b>Materials</b>	
Body	Polyamide with moulded-in metal threads
Valve internals	Stainless Steel
Sealing	NBR
<b>Fluids</b>	
	Neutral media, e.g. lubricated or unlubricated compressed air
<b>Temperatures</b>	
Fluid	-10 up to +60°C
Ambient	Max. +55°C
<b>Operating voltages</b>	
	24 V/DC
	24 / 110 / 230 V/50-60 Hz
Voltage tolerance	±10%
Duty cycle	100% continuously rated
<b>Electrical connection</b>	
	Tag connectors according to DIN 43650 A for cable plugs type 2508 (see accessories)
<b>Rating</b>	
Installation	IP 65 (with cable plug) As required (preferably solenoid system upright)

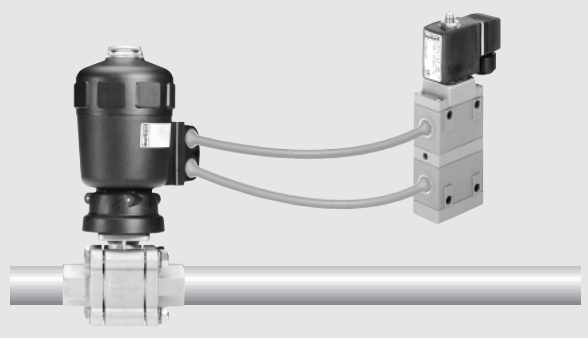
**Flow rate: QNn-value air [l/min]**  
Measured at +20°C, 6 bar pressure at valve inlet, 1 bar pressure difference.

**Pressure ranges (bar)**  
Measured as overpressure to the atmospheric pressure

\*) Applied supply pressure must be 1 bar above the pilot pressure of the valve actuator.

Orifice DN [mm]	QNn value [l/min]	Port conn. [inch]	Electrical power consumption			Response times		Press. range [bar]	Weight [kg]
			AC inrush [VA]	AC hold [VA]	DC [W]	opening [ms]	closing [ms]		
6.0	900	G 1/4	11	6	2	50	30	1 - 10	0.4

### Application: Actuation of large, externally piloted valves



# 4/2 Way Solenoid Valve Servo-Assisted

## Specifications - Ordering Chart (Other Versions on Request) for Type 5413

(with standard-cable plug 0-250 V AC/DC)

Circuit function	Orifice DN [mm]	Port connection [inch]	Qn-value air <sup>1)</sup> [l/min]	Pressure range [bar]	Voltage / Frequency [V/Hz]	Item-No.
G	6	G 1/4	900	1 - 10	024/DC 024/50-60 110/50-60 230/50-60	134 615 Q 134 616 R 134 617 J 134 618 T

## Specifications - Ordering Chart for Light Alloy Manifolds

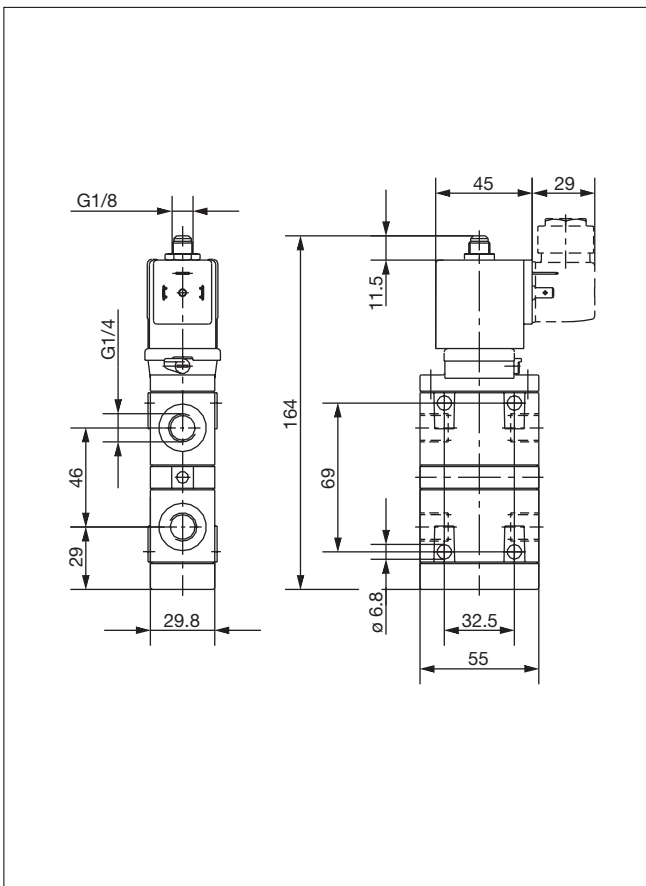
**Double Channel** (for pressure and exhaust port) incl. mounting screws M5 x 60 DIN 912 and O-rings 11 x 2.5

No. of valves	Hole spacing [mm]	Total length [mm]	Item-No.
2	93	78	005 686 T
3	126	111	005 688 D
4	159	144	005 719 B
5	192	177	005 696 V
6	225	210	005 626 W
7	258	243	005 738 E
8	291	276	005 724 Y
9	324	309	005 739 F
10	357	342	005 740 L
11	390	375	005 804 S
12	423	408	005 700 M

**Single Channel** (for pressure port) incl. banjo bolts and seals

No. of valves	Hole spacing [mm]	Total length [mm]	Item-No.
2	77	93	005 811 Q
3	110	126	005 717 Z
4	143	159	005 843 Y
5	176	192	005 776 C
6	209	225	005 718 A

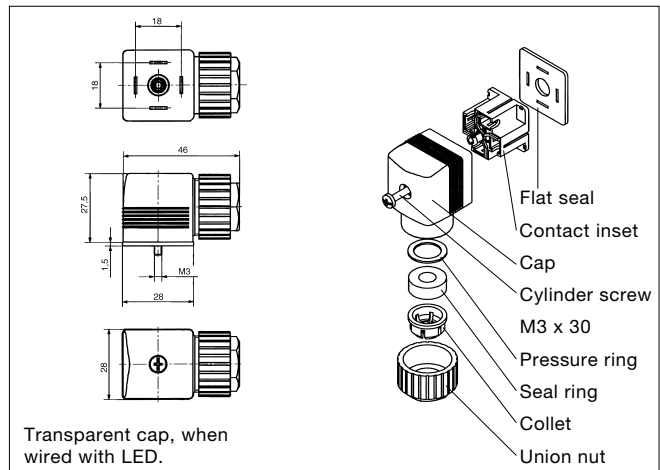
## Dimensions [mm]



## Ordering Chart for Accessories

Device/ Accessory	Features	Item-No.
Cable plugs <sup>1)</sup> Type 2508	Standard cable plug, 0-250 V AC/DC (standard-delivery) <sup>1)</sup>	008 376 N
	with LED, 12-24 V AC/DC	008 360 S
	with LED, 100-120 V AC/DC	008 361 P
	with LED + varistor, 12-24 V AC/DC	008 367 M
	with LED + varistor, 100-120 V AC/DC	008 368 W
	with LED + varistor, 200-240 V AC/DC	008 369 X
(optional wirings and connection specifications see data sheet Type 2508)		

<sup>1)</sup> The standard cable plug (0-250 V AC/DC), Order-No. 008 376 N is part of the standard delivery. Ordering of optional cable plugs with separate item number. A wide selection of further cable plugs is available (see data sheet type 2508)



In case of special application requirements, please consult for advice.

We reserve the right to make technical changes without notice. 102-GB/ 1-0228