

FINE CONTROLS (UK) LTD



Fine Controls have been supplying process controls & instrumentation equipment since 1994, & now serves an ever expanding customer base, both in the UK & globally.

We offer a full range of valve & instrumentation products & services, with our product range representing leading technologies & brands:

Flow: Flow Meters & Transmitters, Flow Switches, Flow Control Valves & Batch Control Systems

Temperature: Temperature Probes & Thermowells, Temperature transmitters, Temperature Regulators & Temperature Displays

Level: Level Transmitters & Switches

Pressure: Pressure Gauges & Transmitters, Precision & High Pressure Regulators & I-P Converters, Volume boosters.

Precision Pneumatics: Pressure Regulators, I-P Converters, Volume Boosters, Vacuum Regulators

Valves: Solenoid & Pneumatic Valves, Control Valves & Positioners, Actuated Ball, Globe or Diaphragm Valves & Isolation Valves

Services: Repair, Calibration, Panel Build, System Design & Commissioning

A rotork® Brand
FAIRCHILD



bürkert



SIEMENS



alcon
SOLENOID VALVES

A rotork® Brand



MIDLAND-ACS
A rotork® Brand



Honeywell



Bourdon
Baumer Group



SOLDO
CONTROLS

A rotork® Brand



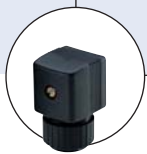
Fine Controls (UK) LTD, Bassendale Road, Croft Business Park,
Bromborough, Wirral, CH62 3QL UK
Tel: 0151 343 9966
Email: sales@finecontrols.com



2/2-way Solenoid Valve with servo diaphragm

- Pivoted armature pilot drive also with manual override
- Media separated pilot valve
- Circuit function can be modified (NC or NO)
- Adjustable switching times (anti-waterhammer)
- Insensitive to slightly contaminated and aggressive fluids

Type 5282 can be combined with...



Type 2508
Cable plug



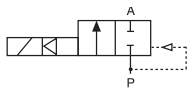
Type 1078
Timer unit



Type 2511
ASI cable plug

The Type 5282 is a pilot-controlled solenoid valve with a servo-diaphragm, media separated, for universal use with liquid and gaseous media corresponding to the material resistance. As standard, the 3-way pivoted armature pilot drive is delivered with manual override. The closing and opening times are continuously adjustable. A differential pressure of 0.5 bar is required to open the full orifice.

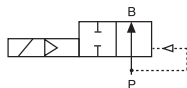
Circuit function A



2/2-way valve, NC

or
by turning the pilot drive through 180°

Circuit function B



2/2-way valve, NO

Technical data	
Orifice	DN 13 - 65 mm
Body material	
Threaded port	Brass acc. to DIN EN 50930-6, stainless steel 1.4581
Flange	Stainless steel 1.4541
Coil material	Epoxy
Coil insulation class	H
Seal material	NBR, EPDM, FKM
Medium	
NBR	Neutral medium, such as compressed air, water, hydraulic oil
EPDM	Oil and fat-free medium, incl. alkalis, hot water
FKM	Hot air, per-solutions, hot oil
Medium temperature	
NBR	0 to +80 °C
EPDM	-30 to +90 °C
FKM	0 to +90 °C
Ambient temperature	Max. +55 °C
Voltage tolerance	±10 %
Duty cycle	100% continuous rating
Electrical connection	Tag connector acc. DIN EN 175301-803 Form A (previously DIN 43650) for cable plug Type 2508 (see Ordering chart for accessory on p. 4)
Protection class	IP 65 with cable plug
Installation	as required, preferably with actuator upright

A differential pressure of 0.5 bar is required to open the full orifice. The response times can be changed by turning the restrictor screws (in the body cover).

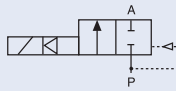
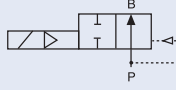
Technical data, cont.

Orifice [mm]	Power consumption			Response times 1)	
	Inrush AC [VA]	Hold AC [VA/W]	DC cold/warm [W]	Opening [s]	Closing [s]
13-65	24	14/8	11/8	0.1-0.8	1.0-4.0

1) Measured at valve outlet at 6 bar and +20°C. Opening: pressure build-up 0 to 90%, Closing: pressure relief 100 to 10%

Ordering chart for valves (other versions on request)

Brass body, threaded port, with manual override, without cable plug

Circuit function	Port connection	Orifice [mm]	Kv value water [m³/h]	Nominal pressure [bar]	Weight [kg]	Item no. per voltage/frequency [V/Hz]			
						024/DC	024/50-60	230/50-60	
A  2/2-way valve, NC or by turning the pilot drive through 180°	Brass body, threaded port, seal material NBR								
	G 1/2	13.0	4.0	0.2 – 10	0.95	134 430	134 431	134 433	
	G 3/4	20.0	6.5	0.2 – 10	1.40	134 434	134 435	134 437	
	G 1	25.0	10.0	0.2 – 10	1.85	134 438	134 439	134 441	
	G 1 1/4	32.0	20.0	0.2 – 10	2.60	134 442	134 443	134 445	
	G 1 1/2	40.0	20.0	0.2 – 10	3.05	134 446	134 447	134 449	
	G 2	50.0	40.0	0.2 – 10	5.15	134 450	134 451	134 453	
	G 2 1/2	65.0	40.0	0.2 – 10	5.90	134 454	134 455	134 457	
	Brass body, threaded port, seal material EPDM								
	G 1/2	13.0	4.0	0.2 – 10	0.95	134 458	134 459	134 461	
G 3/4	20.0	6.5	0.2 – 10	1.40	134 462	134 463	134 465		
G 1	25.0	10.0	0.2 – 10	1.85	134 466	134 467	134 469		
G 1 1/4	32.0	20.0	0.2 – 10	2.60	134 470	134 471	134 473		
G 1 1/2	40.0	20.0	0.2 – 10	3.05	134 474	134 475	134 477		
G 2	50.0	40.0	0.2 – 10	5.15	134 478	134 479	134 481		
G 2 1/2	65.0	40.0	0.2 – 10	5.90	134 482	134 483	134 485		
B  2/2-way valve, NO	Brass body, threaded port, seal material FKM								
	G 1/2	13.0	4.0	0.2 – 10	0.95	134 486	134 487	134 489	
	G 3/4	20.0	6.5	0.2 – 10	1.40	134 490	134 491	134 493	
	G 1	25.0	10.0	0.2 – 10	1.85	134 494	134 495	134 497	
	G 1 1/4	32.0	20.0	0.2 – 10	2.60	134 498	134 499	134 501	
	G 1 1/2	40.0	20.0	0.2 – 10	3.05	134 502	134 503	134 505	
	G 2	50.0	40.0	0.2 – 10	5.15	134 506	134 507	134 509	
	G 2 1/2	65.0	40.0	0.2 – 10	5.90	134 510	134 511	134 513	

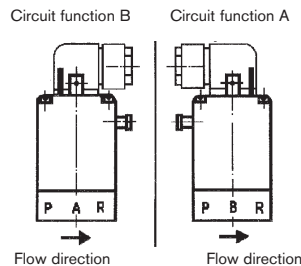
Please note that the cable plug has to be ordered separately, see Ordering chart for accessory on separate datasheet, Type 2508.

Delivered as circuit function A

Change to the circuit function B by turning the pilot drive through 180° (only for 10 bar version)

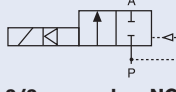
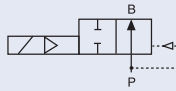
Mounting instructions:

Arrangement of the pilot control



Ordering chart for valves (other versions on request), cont.

Stainless steel body, threaded port or flange, with manual override, without cable plug

Circuit function	Port connection	Orifice [mm]	Kv value water [m ³ /h]	Nominal pressure [bar] ¹⁾	Weight [kg]	Item no. per voltage/frequency [V/Hz]		
						024/DC	024/50-60	230/50-60
A  2/2-way valve, NC or by turning the pilot drive through 180° B  2/2-way valve, NO	Stainless steel, threaded port, seal material NBR							
	G 1/2	20.0	4.0	0.2 – 10	0.95	137 138	137 139	137 141
	G 3/4	20.0	5.0	0.2 – 10	1.40	137 142	137 143	137 145
	G 1	25.0	10.0	0.2 – 10	1.80	137 146	137 147	137 149
	G 1 1/4	32.0	20.0	0.2 – 10	2.25	137 150	137 151	137 153
	G 1 1/2	40.0	20.0	0.2 – 10	2.70	137 154	137 155	137 157
	G 2	50.0	40.0	0.2 – 10	4.80	137 158	137 159	137 161
	Stainless steel, threaded port, seal material FKM							
	G 1/2	20.0	4.0	0.2 – 10	0.95	134 514	134 515	134 517
	G 3/4	20.0	5.0	0.2 – 10	1.40	134 518	134 519	134 521
	G 1	25.0	10.0	0.2 – 10	1.80	134 522	134 523	134 525
	G 1 1/4	32.0	20.0	0.2 – 10	2.25	134 526	134 527	134 529
G 1 1/2	40.0	20.0	0.2 – 10	2.70	134 530	134 531	134 533	
G 2	50.0	40.0	0.2 – 10	4.80	134 534	134 535	134 537	
Stainless steel flange acc. DIN 2501 with FKM								
Flange	25.0	10.0	0.2 – 10	3.65	134 554	134 555	134 557	
Flange	32.0	20.0	0.2 – 10	6.45	134 558	134 559	134 561	
Flange	40.0	20.0	0.2 – 10	7.05	134 562	134 563	134 565	
Flange	50.0	40.0	0.2 – 10	10.5	134 566	134 567	134 569	
Stainless steel flange acc. DIN 2501 with EPDM								
Flange	25.0	10.0	0.2 – 10	3.65	134 570	134 571	134 573	
Flange	32.0	20.0	0.2 – 10	6.45	134 574	134 575	134 577	
Flange	40.0	20.0	0.2 – 10	7.05	134 578	134 579	134 581	
Flange	50.0	40.0	0.2 – 10	10.5	134 582	134 583	134 585	

¹⁾ measured at +20°C, 1 bar pressure at valve inlet and free outlet

²⁾ Pressure values [bar]: Overpressure to the atmospheric pressure

Please note that the cable plug has to be ordered separately, see Ordering chart for accessory on separate datasheet, Type 2508

Delivered as circuit function A

Change to circuit function B by turning the pilot drive through 180° (only for 10 bar version)

i Further versions on request

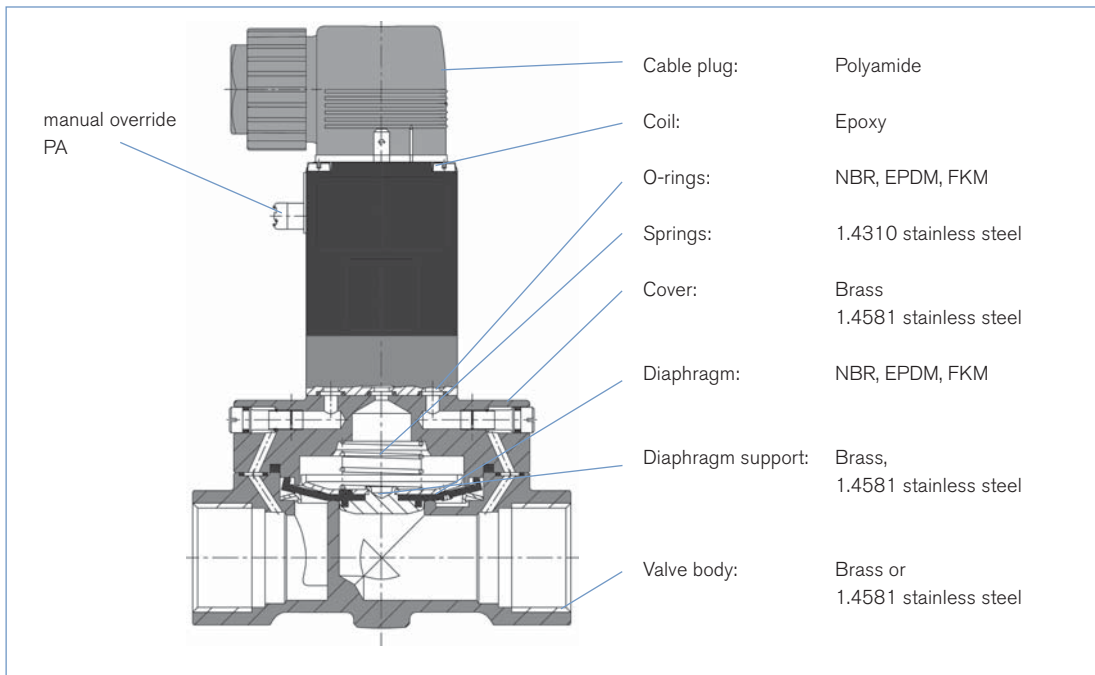
Voltage
110/50-60

Approvals
UL, UR, CSA, Hazardous Locations Expl. proof, EEx m/ed, CGA/AGA

Additional
With optical or electrical feedback

Pressure
Pressure range up to 16 bar

Materials

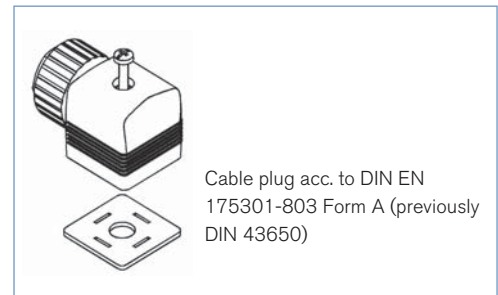


Ordering chart accessory

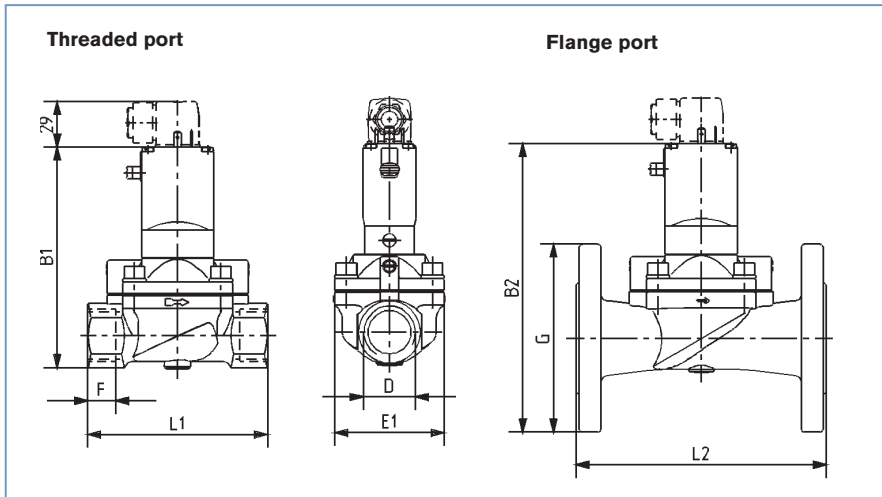
Cable plug acc. to DIN EN 175301-803 Form A (previously DIN 43650)

The delivery of a cable plug includes the flat seal and the fixing screw. For other cable plug versions acc. to DIN EN 175301-803 Form A (previously DIN 43650), see data-sheet Type 2508.

Circuitry	Voltage	Item no.
None (standard)	0-250 V	008 376
with LED	12-24 V	008 360
with LED and varistor	12-24 V	008 367
with rectifier, LED and varistor	12-24 V	008 363
with LED	200-240 V	008 362
with LED and varistor	200-240 V	008 369
further versions see datasheet Type 2508		



Dimensions [mm]



Threaded port						Flange port		
DN	D	B1	E1	F	L1	B2	G	L2
13	G 1/2	123.0	40	14	65	-	-	-
20	G 3/4	131.0	60	16	100	-	-	-
25	G 1	141.0	70	18	115	184.5	120	160
32	G 1 1/4	147.0	85	20	126	192.0	140	180
40	G 1 1/2	156.0	85	22	126	201.0	150	200
50	G 2	177.5	115	24	164	225.0	165	230
65	G 2 1/2	185.0	115	27	180	-	-	-

To find your nearest Bürkert facility, click on the orange box →

www.burkert.com

 In case of special application conditions,
 please consult for advice.

 Subject to alteration.
 © Christian Bürkert GmbH & Co. KG

0906/4_EU-en_00891712