

# FINE CONTROLS (UK) LTD



Fine Controls have been supplying process controls & instrumentation equipment since 1994, & now serves an ever expanding customer base, both in the UK & globally.

We offer a full range of valve & instrumentation products & services, with our product range representing leading technologies & brands:

**Flow:** Flow Meters & Transmitters, Flow Switches, Flow Control Valves & Batch Control Systems

**Temperature:** Temperature Probes & Thermowells, Temperature transmitters, Temperature Regulators & Temperature Displays

**Level:** Level Transmitters & Switches

**Pressure:** Pressure Gauges & Transmitters, Precision & High Pressure Regulators & I-P Converters, Volume boosters.

**Precision Pneumatics:** Pressure Regulators, I-P Converters, Volume Boosters, Vacuum Regulators

**Valves:** Solenoid & Pneumatic Valves, Control Valves & Positioners, Actuated Ball, Globe or Diaphragm Valves & Isolation Valves

**Services:** Repair, Calibration, Panel Build, System Design & Commissioning

A rotork® Brand  
**FAIRCHILD**



**bürkert**



**SIEMENS**



**alcon**  
SOLENOID VALVES

A rotork® Brand



**MIDLAND-ACS**  
A rotork® Brand



**Honeywell**



**Bourdon**  
Baumer Group

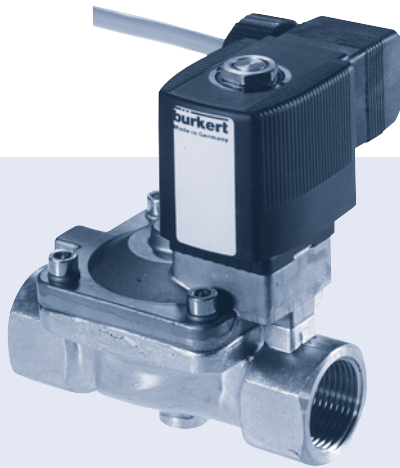


**SOLDO**  
CONTROLS

A rotork® Brand



Fine Controls (UK) LTD, Bassendale Road, Croft Business Park,  
Bromborough, Wirral, CH62 3QL UK  
Tel: 0151 343 9966  
Email: sales@finecontrols.com



## 2/2-way Solenoid Valve for neutral media, EEx version

- General purpose range with servo-diaphragm
- Anti-waterhammer, low noise
- Push-over solenoid system
- Seal material NBR

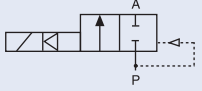
The servo-assisted solenoid valve Type 5281 EEx with servo-diaphragm can be used in accordance with its protection type for the shutting off, dosing and filling of gaseous and liquid media in environments where there is a danger of explosion.

Technical data	
Orifice	DN 13 - 65 mm
Body material	Brass
Valve internal material	Stainless steel, brass
Seal material	NBR (EPDM and FKM on request)
Media with NBR	Neutral media, compressed air, water
Media temperature with NBR	-10 to +80 °C
Ambient temperature	-10 to +60 °C
Type of current	AC/DC
Voltage tolerance	±10%
Power consumption	9 W
Duty cycle	100% continuous rating
Electrical connection	Moulded-on cable 3 m long, 3 x 0.75 mm <sup>2</sup> (non-separable), with cable outlet to the side. Terminal box on request
Protection class	IP 65
Type of protection	II 2G EEx m II T4 PTB 00 ATEX 2129X II 2D IP 65 T 135°C
Installation	As required, preferably with actuator in upright position

Power consumption	
Inrush UC [W]	Hold UC [W]
9	9


## Ordering chart for valves (other versions on request)

## Brass body with threaded ports and NBR seal

Circuit function	Port connection	Orifice [mm]	Kv value water [m <sup>3</sup> /h]	Pressure range [bar]	Per Item no. Voltage/Frequency [V/Hz] with 3 m cable	
					024/UC	230/UC
<b>A</b> 2/2-way, normally closed (NC) 	G 1/2	13	4.0	0.2 - 16	136 125	136 127
	G 3/4	20	5.0	0.2 - 10	136 128	136 130
	G 1	25	10.0	0.2 - 10	136 131	136 133
	G 1 1/4	32	20.0	0.2 - 10	136 134	136 136
	G 1 1/2	40	20.0	0.2 - 10	136 137	136 139
	G 2	50	40.0	0.2 - 10	136 140	136 142
	G 2 1/2	65	40.0	0.2 - 10	136 143	136 145

 Further versions on request

 **Material**  
Seal material: EPDM, FKM

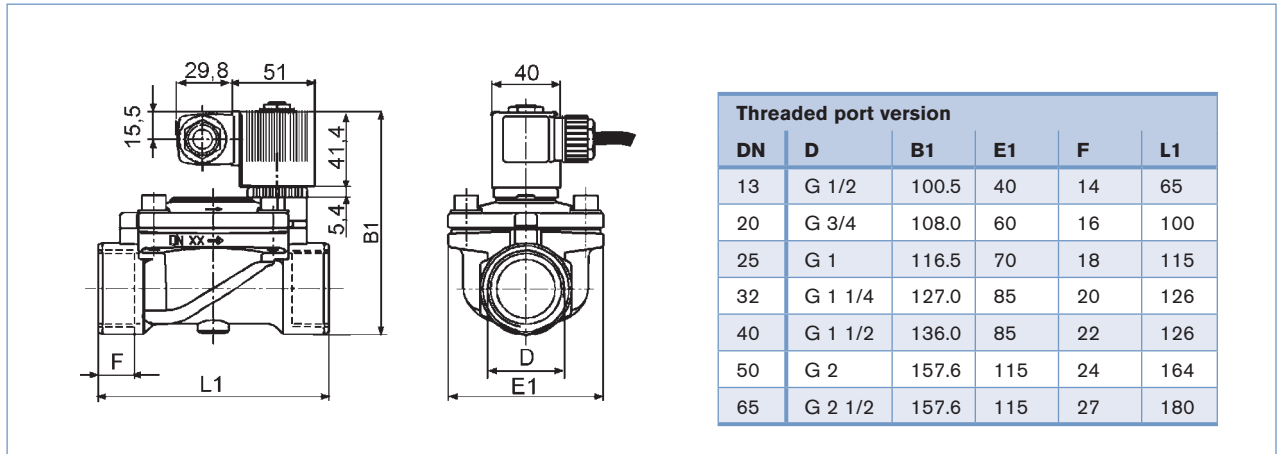
 **Electrical connection**  
Terminal box without safety fuse

 **Port connection**  
Flange

## Ordering chart for fuses for the 9W coil

Voltage [V]	Nominal current [mA]	Item no.
24	1000	153 738
110	250	153 732
230	100	153 718

## Dimensions [mm]



To find your nearest Bürkert facility, click on the orange box →

[www.burkert.com](http://www.burkert.com)In case of special application conditions,  
please consult for advice.Subject to alteration.  
© Christian Bürkert GmbH & Co. KG

0810/1\_EU-en\_00895109