

FINE CONTROLS (UK) LTD



Fine Controls have been supplying process controls & instrumentation equipment since 1994, & now serves an ever expanding customer base, both in the UK & globally.

We offer a full range of valve & instrumentation products & services, with our product range representing leading technologies & brands:

Flow: Flow Meters & Transmitters, Flow Switches, Flow Control Valves & Batch Control Systems

Temperature: Temperature Probes & Thermowells, Temperature transmitters, Temperature Regulators & Temperature Displays

Level: Level Transmitters & Switches

Pressure: Pressure Gauges & Transmitters, Precision & High Pressure Regulators & I-P Converters, Volume boosters.

Precision Pneumatics: Pressure Regulators, I-P Converters, Volume Boosters, Vacuum Regulators

Valves: Solenoid & Pneumatic Valves, Control Valves & Positioners, Actuated Ball, Globe or Diaphragm Valves & Isolation Valves

Services: Repair, Calibration, Panel Build, System Design & Commissioning

A rotork® Brand
FAIRCHILD



bürkert



SIEMENS



alcon
SOLENOID VALVES

A rotork® Brand



MIDLAND-ACS
A rotork® Brand



Honeywell



Bourdon
Baumer Group



SOLDO
CONTROLS

A rotork® Brand



Fine Controls (UK) LTD, Bassendale Road, Croft Business Park,
Bromborough, Wirral, CH62 3QL UK
Tel: 0151 343 9966
Email: sales@finecontrols.com



2/2-way Globe Control Valve, threaded port connection, DN 10-65

- Classic design with interchangeable trims, 3 to 5 Kvs-value per connection port
- Excellent control characteristic
- Ultra compact design
- Standard International face-to-face dimensions
- High operative safety

Type 2712 can be combined with...



Type 8692/8693
Positioner / Process Controller TopControl



Type 8694
Positioner TopControl Basic



Type 8630
Positioner TopControl



Type 8635
Positioner SideControl



Type 8792/93
SideControl Remote versions



Type 8030
Flow sensor

The 2712 system has been specifically engineered for reliable control in applications where control accuracy is paramount. The 2712 is made from an all stainless steel valve body combined with Burkert's classic pneumatic actuator. Each globe valve body can be fitted with three to five sizes of trim sets. These parabolic trims provide a reliable and repeatable characteristic to vary the flow. The control cones are available in either stainless steel or with a durable PTFE seal for tight shut-off. When actuated by the 8635 SideControl, SideControls 8792/93 Remote versions or the 8694/8692/8693/ 8630 TopControl it forms a unique control valve system which can be operated as either a simple accurate positioner or an autotune PID process controller for flow, temperature or pressure.

Proven Applications

- Fine chemical pressure and flow control
- High accuracy test bench equipment
- Food, beverage and pharmaceutical CIP/ SIP and auxiliary processes with steam
- Pharmaceutical Sterilizers
- Precision distillation apparatus
- Sterile Packaging Machinery

Technical data	
Materials	
Body	Cast stainless steel 316L (conform to 1.4409)
Actuator	PA polyamide (PPS on request)
Sealing	St.st./St.st. (stainless steel/stainless steel) PTFE/St.st. (PTFE/stainless steel)
Seat leakage IEC 534-4/EN 1349	Shut-off class IV for St.st./St.st. Shut-off class VI for PTFE/St.st.
Process media gases and liquids (vacuum version on request)	For neutral gases, water, alcohols, oils, fuels, hydraulic liquids, salt solutions, lyes, organic solvents, steam (10 bar/+180°C)
Viscosity	Max. 600 mm ² /s
Packing gland	PTFE V-rings (silicone grease) with spring compensation
Nominal pressure	PN 25 (body)
Temperatures	
Fluid	-10°C to +180°C ¹⁾ (max. +130°C for PTFE/St.st. sealing recommended)
Ambient	-10°C to +60°C ¹⁾ Actuators 80 to 125 -10°C to +50°C Actuators 175 and 225
Control media	Compressed air
Pilot pressure	5.5 to 7 bar Actuators 80 to 125 5 to 6 bar Actuators 175 and 225
Pilot air ports	G 1/4 stainless steel (St.st.)
Flow direction	Below seat
Interchangeable seat	Different Kvs-values per port size, see table p. 2
Control ratio (Kvs/KvO)	50:1 25:1 for orifice DN6 10:1 for orifice DN4

¹⁾ high temperature on request

continued on next page

Content

Valve specifications	System Continuous Classic	Request for quotation
Type 2712 thread	Type 8802-GB	Type 8802-GB
Technical data & ordering info. p. 1-12	Ordering info. & technical data p. 13-17	p. 18



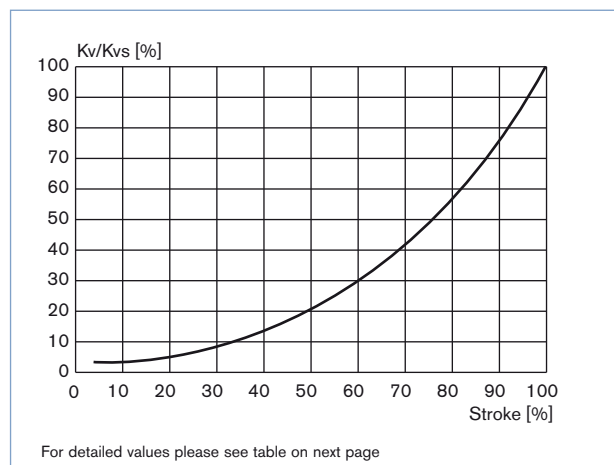
Technical data, continued

Technical data	
Port connections	
Threaded port	<ul style="list-style-type: none"> G NPT Rc <ul style="list-style-type: none"> ▪ DIN ISO 228 T1 ▪ ASA B2.1 ▪ ISO 7
Mounting position	Any, preferably upright

Kvs values

Port size (tube) ISO, DIN [mm]	Actuator size [mm]	Orifice DN (seat) [mm]										
		04	06	08	10	15	20	25	32	40	50	65
10	80	0.5	1.2	2.0	2.7	-	-	-	-	-	-	-
15	80	0.5	1.2	2.1	3.1	4.3	-	-	-	-	-	-
20	80	-	-	-	3.2	5.2	7.1	-	-	-	-	-
25	80	-	-	-	-	5.3	7.2	12.0	-	-	-	-
32	100	-	-	-	-	-	8.0	13.0	17.8	-	-	-
40	100	-	-	-	-	-	-	13.6	20.2	23.8	-	-
50	125	-	-	-	-	-	-	-	21.0	24.6	37.0	-
65	125	-	-	-	-	-	-	-	-	17.5	26.0	52.0
	175	-	-	-	-	-	-	-	-	25.5	39.5	62.0

Flow curve and description



Remarks on the flow characteristic

- Equipercetile parabolic plug for the orifices DN8...DN65
- Linear plug for the orifices DN4 and DN6
- Flow characteristic runs within DIN/IEC 534-2-4
- Theoretical control ratio (Kvs/Kvo):
 - 50:1 for the orifices DN8...DN65
 - 25:1 for the orifice DN6
 - 10:1 for the orifice DN4
- KVR value at 5% of stroke for DN > 10 mm
 KVR value at 10% of stroke for DN ≤ 10 mm
 (KVR value = smallest Kv value at which the gradient tolerance to DIN/IEC 534-2-4 is still complied with)

DTS 1000010999 EN Version: E Status: RL (released | freigegeben | validé) printed: 10.05.2010

Technical data, continued

Kvs values [m³/h]

Port size (tube)		Orifice (seat)		Actuator size [mm]	Stroke [%]										
[mm]	[inch]	[mm]	[inch]		5	10	20	30	40	50	60	70	80	90	100
10	3/8"	4	1/8"	80	0.04	0.05	0.10	0.16	0.22	0.27	0.32	0.36	0.40	0.44	0.50
		6	3/16"	80	0.05	0.12	0.32	0.48	0.62	0.76	0.88	0.98	1.07	1.13	1.20
		8	1/4"	80	0.06	0.07	0.09	0.12	0.18	0.26	0.42	0.61	0.92	1.50	2.00
		10	3/8"	80	0.09	0.11	0.13	0.19	0.30	0.48	0.73	1.00	1.60	2.3	2.7
15	1/2"	4	1/8"	80	0.04	0.05	0.10	0.16	0.22	0.27	0.32	0.36	0.40	0.44	0.50
		6	3/16"	80	0.05	0.12	0.32	0.48	0.62	0.76	0.88	0.98	1.07	1.13	1.20
		8	1/4"	80	0.07	0.08	0.11	0.13	0.19	0.27	0.43	0.63	0.95	1.60	2.1
		10	3/8"	80	0.09	0.11	0.15	0.19	0.31	0.49	0.75	1.10	1.70	2.5	3.1
		15	1/2"	80	0.14	0.17	0.22	0.35	0.52	0.80	1.20	1.80	2.7	3.7	4.3
20	3/4"	10	3/8"	80	0.11	0.12	0.16	0.20	0.33	0.52	0.77	1.20	1.8	2.6	3.2
		15	1/2"	80	0.14	0.17	0.22	0.35	0.52	0.80	1.20	1.80	2.9	4.0	5.2
		20	3/4"	80	0.20	0.25	0.30	0.45	0.70	1.10	1.60	2.4	3.5	5.2	7.1
25	1"	15	1/2"	80	0.14	0.17	0.22	0.35	0.52	0.80	1.20	1.80	2.9	4.1	5.3
		20	3/4"	80	0.20	0.25	0.31	0.47	0.70	1.10	1.60	2.5	3.8	5.4	7.2
		25	1"	80	0.35	0.38	0.65	1.00	1.50	2.2	3.4	5.1	7.0	9.4	12.0
32	1 1/4"	20	3/4"	100	0.22	0.25	0.35	0.50	0.75	1.10	1.60	2.5	3.8	5.8	8.0
		25	1"	100	0.40	0.47	0.73	1.10	1.60	2.5	3.7	5.4	7.5	10.3	13.0
		32	1 1/4"	100	0.48	0.60	0.85	1.30	2.1	3.1	4.5	6.8	10.2	14.0	17.8
40	1 1/2"	25	1"	100	0.40	0.50	0.75	1.10	1.70	2.6	3.8	5.6	8.0	10.7	13.6
		32	1 1/4"	100	0.48	0.60	0.85	1.30	2.1	3.2	4.6	6.9	11.0	15.0	20.2
		40	1 1/2"	100	0.60	0.70	1.10	1.70	2.7	4.0	6.0	9.2	13.8	18.2	23.8
50	2"	32	1 1/4"	125	0.48	0.60	0.90	1.30	2.1	3.2	4.6	6.9	11.6	16.0	21.0
		40	1 1/2"	125	0.60	0.70	1.00	1.70	2.6	4.0	5.9	9.2	14.0	18.9	24.6
		50	2"	125	0.90	1.10	1.90	2.9	4.5	6.8	10.5	15.5	22.0	29.3	37.0
65	2 1/2"	40	1 1/2"	125	0.45	0.65	0.95	1.30	1.90	2.8	4.00	5.50	7.8	11.7	17.5
		50	2"	125	0.70	1.00	1.60	2.4	3.5	4.9	6.90	9.80	14.1	19.9	26.0
		65	2 1/2"	125	0.80	1.30	2.1	3.2	5.5	9.1	14.7	24.5	37.6	45.6	52.0
		40	1 1/2"	175	0.45	0.55	0.85	1.30	2.0	3.1	4.60	6.80	10.7	17.2	25.5
		50	2"	175	0.75	0.90	1.50	2.3	3.5	4.9	7.1	11.0	17.5	26.0	39.5
		65	2 1/2"	175	1.10	1.40	2.1	3.2	4.9	8.0	12.0	18.5	31.5	46.5	62.0

Ordering chart for Globe Valve (without positioner)

Threaded Port G: DIN ISO 228 T1, flow below seat

Control function	Port size (tube)		Orifice DN (seat)		Actuator size Ø [mm]	Operating pressure ≤ +180°C [bar]	Item no. seal system St.st./St.st.*	Item no. seal system PTFE/St.st.*
	[mm]	[inch]	[mm]	[inch]				
A 2/2-way, NC by spring return	10	3/8"	4	1/8"	80	16.0	146 647	-
			6	3/16"	80	16.0	156 254	-
			8	1/4"	80	16.0	146 670	146 956
			10	3/8"	80	16.0	146 692	146 980
	15	1/2"	4	1/8"	80	16.0	146 113	-
			6	3/16"	80	16.0	151 376	-
			8	1/4"	80	16.0	145 856	146 968
			10	3/8"	80	16.0	146 704	146 992
			15	1/2"	80	16.0	146 732	147 020
	20	3/4"	10	3/8"	80	16.0	146 718	147 006
			15	1/2"	80	16.0	146 746	147 034
			20	3/4"	80	16.0	146 774	147 062
	25	1"	15	1/2"	80	16.0	146 760	147 048
			20	3/4"	80	16.0	146 788	147 076
			25	1"	80	16.0	146 814	147 102
	32	1 1/4"	20	3/4"	100	16.0	146 802	147 090
			25	1"	100	16.0	146 826	147 116
			32	1 1/4"	100	16.0	146 852	147 142
	40	1 1/2"	25	1"	100	16.0	146 838	147 128
			32	1 1/4"	100	16.0	146 864	146 185
			40	1 1/2"	100	16.0	146 892	147 181
	50	2"	32	1 1/4"	125	16.0	146 878	147 167
			40	1 1/2"	125	16.0	146 906	147 198
			50	2"	125	16.0	146 919	147 212
65	2 1/2"	40	1 1/2"	125	15.0	155 746	155 967	
		50	2"	125	15.0	155 784	156 004	
		65	2 1/2"	125	10.0	155 841	156 066	
		40	1 1/2"	175	15.0	155 766	155 987	
		50	2"	175	15.0	155 804	156 024	
			65	2 1/2"	175	15.0	155 863	156 087

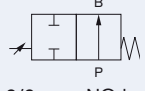
*seal system: • St.st./St.st.: plug stainless steel/seat stainless steel
 • PTFE/St.st.: (soft sealing) plug PTFE/seat stainless steel

i Further versions on request

Material
 Actuator: PPS for actuator sizes 80-125 mm

Ordering chart for Globe Valve (without positioner)

Threaded Port G: DIN ISO 228 T1, flow below seat, *continued*

Control function	Port size (tube)		Orifice DN (seat)		Actuator size Ø [mm]	Operating pressure $\leq +180^{\circ}\text{C}$ [bar]	Item no. seal system St.st./St.st.*	Item no. seal system PTFE/St.st.*
	[mm]	[inch]	[mm]	[inch]				
B  2/2-way, NO by spring return	10	3/8"	4	1/8"	80	16.0	146 653	-
			6	3/16"	80	16.0	156 258	-
			8	1/4"	80	16.0	146 676	146 962
			10	3/8"	80	16.0	146 698	146 986
	15	1/2"	4	1/8"	80	16.0	146 118	-
			6	3/16"	80	16.0	156 265	-
			8	1/4"	80	16.0	146 686	146 974
			10	3/8"	80	16.0	146 711	146 999
			15	1/2"	80	16.0	146 739	147 027
	20	3/4"	10	3/8"	80	16.0	146 725	147 013
			15	1/2"	80	16.0	146 753	147 041
			20	3/4"	80	16.0	146 781	147 069
	25	1"	15	1/2"	80	16.0	146 767	147 055
			20	3/4"	80	16.0	146 795	147 083
			25	1"	80	16.0	146 819	147 109
	32	1 1/4"	20	3/4"	100	16.0	146 808	147 096
			25	1"	100	16.0	146 832	147 122
			32	1 1/4"	100	16.0	146 858	147 148
	40	1 1/2"	25	1"	100	16.0	146 845	147 135
			32	1 1/4"	100	16.0	146 871	147 160
			40	1 1/2"	100	16.0	146 899	147 191
	50	2"	32	1 1/4"	125	16.0	146 885	147 174
			40	1 1/2"	125	16.0	146 913	147 205
			50	2"	125	16.0	146 925	147 219
	65	2 1/2"	40	1 1/2"	125	15.0	155 756	155 977
			50	2"	125	15.0	155 794	156 014
			65	2 1/2"	125	10.0	155 852	156 076
			40	1 1/2"	175	15.0	155 775	155 995
50			2"	175	15.0	155 814	156 032	
		65	2 1/2"	175	15.0	155 872	156 094	

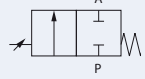
*seal system: • St.st./St.st.: plug stainless steel/seat stainless steel
 • PTFE/St.st.: (soft sealing) plug PTFE/seat stainless steel

i Further versions on request

Material
 Actuator: PPS for actuator sizes 80-125 mm

Ordering chart for Globe Valve (without positioner)

Threaded Port NPT: ASA B2.1, flow below seat

Control function	Port size (tube)		Orifice DN (seat)		Actuator size Ø [mm]	Operating pressure S + 180°C [bar]	Item no. seal system St.st./St.st.*	Item no. seal system PTFE/St.st.*
	[mm]	[inch]	[mm]	[inch]				
A  2/2-way, NC by spring return	10	3/8"	4	1/8"	80	16.0	■	-
			6	3/16"	80	16.0	■	-
			8	1/4"	80	16.0	146 671	146 957
			10	3/8"	80	16.0	146 693	146 981
	15	1/2"	4	1/8"	80	16.0	146 659	-
			6	3/16"	80	16.0	■	-
			8	1/4"	80	16.0	146 682	146 969
			10	3/8"	80	16.0	146 705	146 993
	20	3/4"	15	1/2"	80	16.0	146 733	147 021
			10	3/8"	80	16.0	146 719	147 007
			15	1/2"	80	16.0	146 747	147 035
			20	3/4"	80	16.0	146 775	147 063
	25	1"	15	1/2"	80	16.0	146 761	147 049
			20	3/4"	80	16.0	146 789	147 077
			25	1"	80	16.0	146 815	147 103
	32	1 1/4"	20	3/4"	100	16.0	146 803	147 091
			25	1"	100	16.0	146 827	147 117
			32	1 1/4"	100	16.0	146 853	147 143
	40	1 1/2"	25	1"	100	16.0	146 839	147 129
			32	1 1/4"	100	16.0	146 865	147 154
			40	1 1/2"	100	16.0	146 893	147 182
	50	2"	32	1 1/4"	125	16.0	146 879	147 168
			40	1 1/2"	125	16.0	146 907	147 199
			50	2"	125	16.0	146 920	147 213
	65	2 1/2"	40	1 1/2"	125	16.0	155 747	155 968
			50	2"	125	16.0	155 785	156 005
			65	2 1/2"	125	10.0	155 842	156 067
			40	1 1/2"	175	16.0	155 767	155 988
50			2"	175	16.0	155 805	156 025	
		65	2 1/2"	175	16.0	155 864	156 088	

*seal system: • St.st./St.st.: plug stainless steel/seat stainless steel
 • PTFE/St.st.: (soft sealing) plug PTFE/seat stainless steel

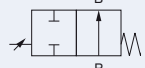
■ on request

i Further versions on request

Material
 Actuator: PPS for actuator sizes 80-125 mm

Ordering chart for Globe Valve (without positioner)

Threaded Port NPT: ASA B2.1, flow below seat, *continued*

Control function	Port size (tube)		Orifice DN (seat)		Actuator size Ø [mm]	Operating pressure S + 180°C [bar]	Item no. seal system St.st./St.st.*	Item no. seal system PTFE/St.st.*
	[mm]	[inch]	[mm]	[inch]				
B  2/2-way, NO by spring return	10	3/8"	4	1/8"	80	16.0	■	-
			6	3/16"	80	16.0	■	-
			8	1/4"	80	16.0	146 677	146 963
			10	3/8"	80	16.0	146 699	146 987
	15	1/2"	4	1/8"	80	16.0	■	-
			6	3/16"	80	16.0	■	-
			8	1/4"	80	16.0	146 687	146 975
			10	3/8"	80	16.0	146 712	147 000
	20	3/4"	15	1/2"	80	16.0	146 740	147 028
			10	3/8"	80	16.0	146 726	147 014
			15	1/2"	80	16.0	146 754	147 042
	25	1"	20	3/4"	80	16.0	146 782	147 070
			15	1/2"	80	16.0	146 768	147 056
			20	3/4"	80	16.0	146 796	147 084
	32	1 1/4"	25	1"	80	16.0	146 820	147 110
			20	3/4"	100	16.0	146 809	147 097
			25	1"	100	16.0	146 833	147 123
	40	1 1/2"	32	1 1/4"	100	16.0	146 859	147 149
			25	1"	100	16.0	146 846	147 136
			32	1 1/4"	100	16.0	146 872	147 161
	50	2"	40	1 1/2"	100	16.0	146 900	147 192
			32	1 1/4"	125	16.0	146 886	147 175
			40	1 1/2"	125	16.0	146 914	147 206
	65	2 1/2"	50	2"	125	16.0	146 926	147 220
			40	1 1/2"	125	16.0	155 757	155 978
			50	2"	125	16.0	155 795	156 015
			65	2 1/2"	125	10.0	155 853	156 077
			40	1 1/2"	175	16.0	155 776	155 996
50			2"	175	16.0	155 816	156 033	
		65	2 1/2"	175	16.0	155 873	156 095	

*seal system: • St.st./St.st.: plug stainless steel/seat stainless steel
 • PTFE/St.st.: (soft sealing) plug PTFE/seat stainless steel


■ on request

i Further versions on request

Material
 Actuator: PPS for actuator sizes 80-125 mm

Ordering chart for Globe Valve (without positioner)

Threaded Port Rc: ISO 7, flow below seat

Control function	Port size (tube)		Orifice DN (seat)		Actuator size Ø [mm]	Operating pressure S + 180°C [bar]	Item no. seal system St.st./St.st.*	Item no. seal system PTFE/St.st.*
	[mm]	[inch]	[mm]	[inch]				
A  2/2-way, NC by spring return	10	3/8"	4	1/8"	80	16.0	■	-
			6	3/16"	80	16.0	■	-
			8	1/4"	80	16.0	148 413	148 494
			10	3/8"	80	16.0	148 419	148 500
	15	1/2"	4	1/8"	80	16.0	■	-
			6	3/16"	80	16.0	■	-
			8	1/4"	80	16.0	148 416	148 497
			10	3/8"	80	16.0	148 422	148 503
	20	3/4"	15	1/2"	80	16.0	148 431	148 511
			10	3/8"	80	16.0	148 427	148 507
			15	1/2"	80	16.0	148 435	148 515
	25	1"	20	3/4"	80	16.0	148 444	148 523
			15	1/2"	80	16.0	148 439	148 519
			20	3/4"	80	16.0	148 448	148 527
	32	1 1/4"	25	1"	80	16.0	148 456	148 535
			20	3/4"	100	16.0	148 451	148 531
			25	1"	100	16.0	148 460	148 539
	40	1 1/2"	32	1 1/4"	100	16.0	148 469	148 547
			40	1 1/2"	100	16.0	148 464	148 543
			32	1 1/4"	100	16.0	148 473	148 551
	50	2"	40	1 1/2"	100	16.0	148 482	148 559
			32	1 1/4"	125	16.0	148 478	148 555
			40	1 1/2"	125	16.0	148 486	148 563
	65	2 1/2"	50	2"	125	16.0	148 490	148 567
			40	1 1/2"	125	16.0	155 748	155 969
			50	2"	125	16.0	155 786	156 006
			65	2 1/2"	125	10.0	155 843	156 068
			40	1 1/2"	175	16.0	155 768	155 989
50			2"	175	16.0	155 807	156 026	
65	2 1/2"	175	16.0	155 865	156 089			

*seal system: • St.st./St.st.: plug stainless steel/seat stainless steel
 • PTFE/St.st.: (soft sealing) plug PTFE/seat stainless steel

■ on request

i Further versions on request

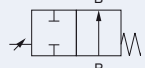


Material

Actuator: PPS for actuator sizes 80-125 mm

Ordering chart for Globe Valve (without positioner)

Threaded Port Rc: ISO 7, flow below seat, *continued*

Control function	Port size (tube)		Orifice DN (seat)		Actuator size Ø [mm]	Operating pressure S + 180°C [bar]	Item no. seal system St.st./St.st.*	Item no. seal system PTFE/St.st.*
	[mm]	[inch]	[mm]	[inch]				
B  2/2-way, NO by spring return	10	3/8"	4	1/8"	80	16.0	■	-
			6	3/16"	80	16.0	■	-
			8	1/4"	80	16.0	148 414	148 495
			10	3/8"	80	16.0	148 420	148 501
	15	1/2"	4	1/8"	80	16.0	■	-
			6	3/16"	80	16.0	■	-
			8	1/4"	80	16.0	148 418	148 499
			10	3/8"	80	16.0	148 424	148 505
			15	1/2"	80	16.0	148 433	148 513
	20	3/4"	10	3/8"	80	16.0	148 429	148 509
			15	1/2"	80	16.0	148 437	148 517
			20	3/4"	80	16.0	148 446	148 525
	25	1"	15	1/2"	80	16.0	148 442	148 521
			20	3/4"	80	16.0	148 450	148 529
			25	1"	80	16.0	148 458	148 537
	32	1 1/4"	20	3/4"	100	16.0	148 454	148 533
			25	1"	100	16.0	148 462	148 541
			32	1 1/4"	100	16.0	148 471	148 549
	40	1 1/2"	25	1"	100	16.0	148 467	148 545
			32	1 1/4"	100	16.0	148 475	148 553
			40	1 1/2"	100	16.0	148 484	148 561
	50	2"	32	1 1/4"	125	16.0	148 480	148 557
			40	1 1/2"	125	16.0	148 488	148 565
			50	2"	125	16.0	148 493	148 569
	65	2 1/2"	40	1 1/2"	125	16.0	155 758	155 979
			50	2"	125	16.0	155 796	156 016
			65	2 1/2"	125	10.0	155 854	156 079
			40	1 1/2"	175	16.0	155 777	155 997
50			2"	175	16.0	155 817	156 034	
65			2 1/2"	175	16.0	155 874	156 096	

*seal system: • St.st./St.st.: plug stainless steel/seat stainless steel
 • PTFE/St.st.: (soft sealing) plug PTFE/seat stainless steel

■ on request

i Further versions on request

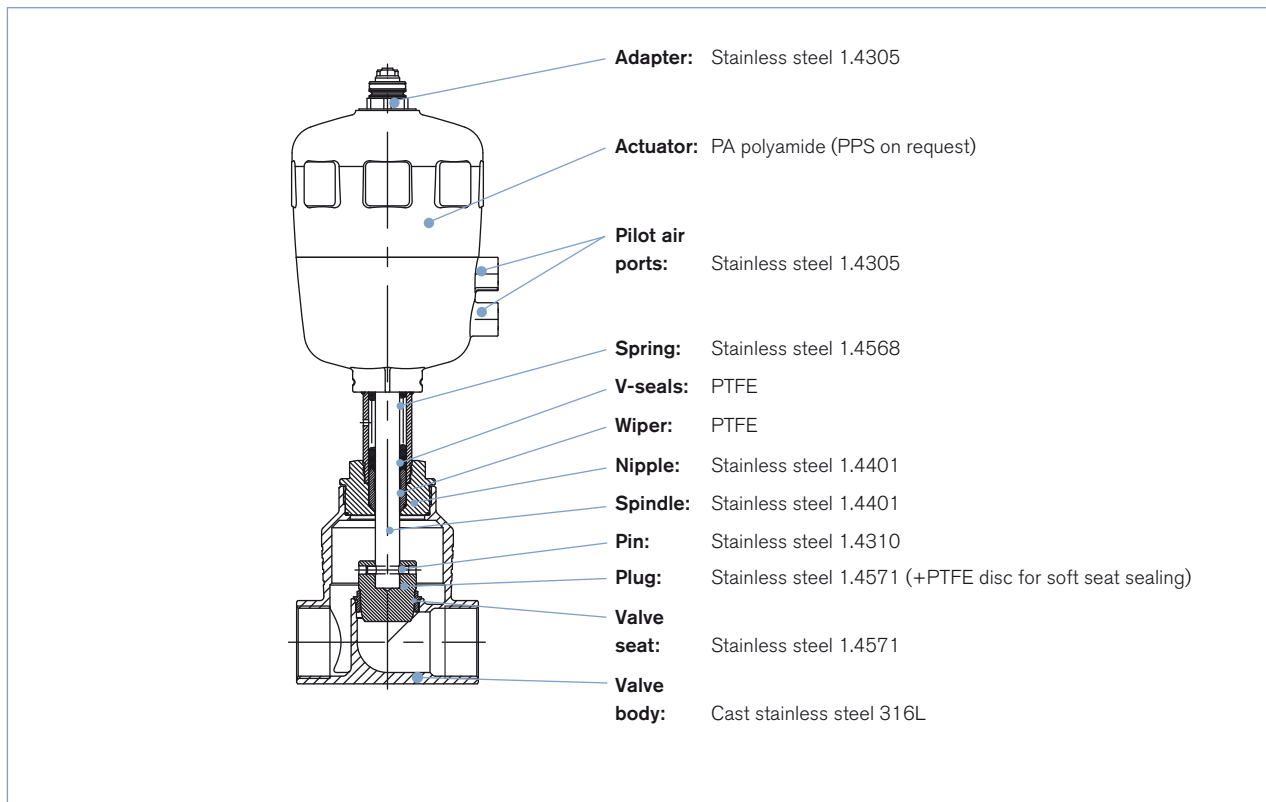


Material

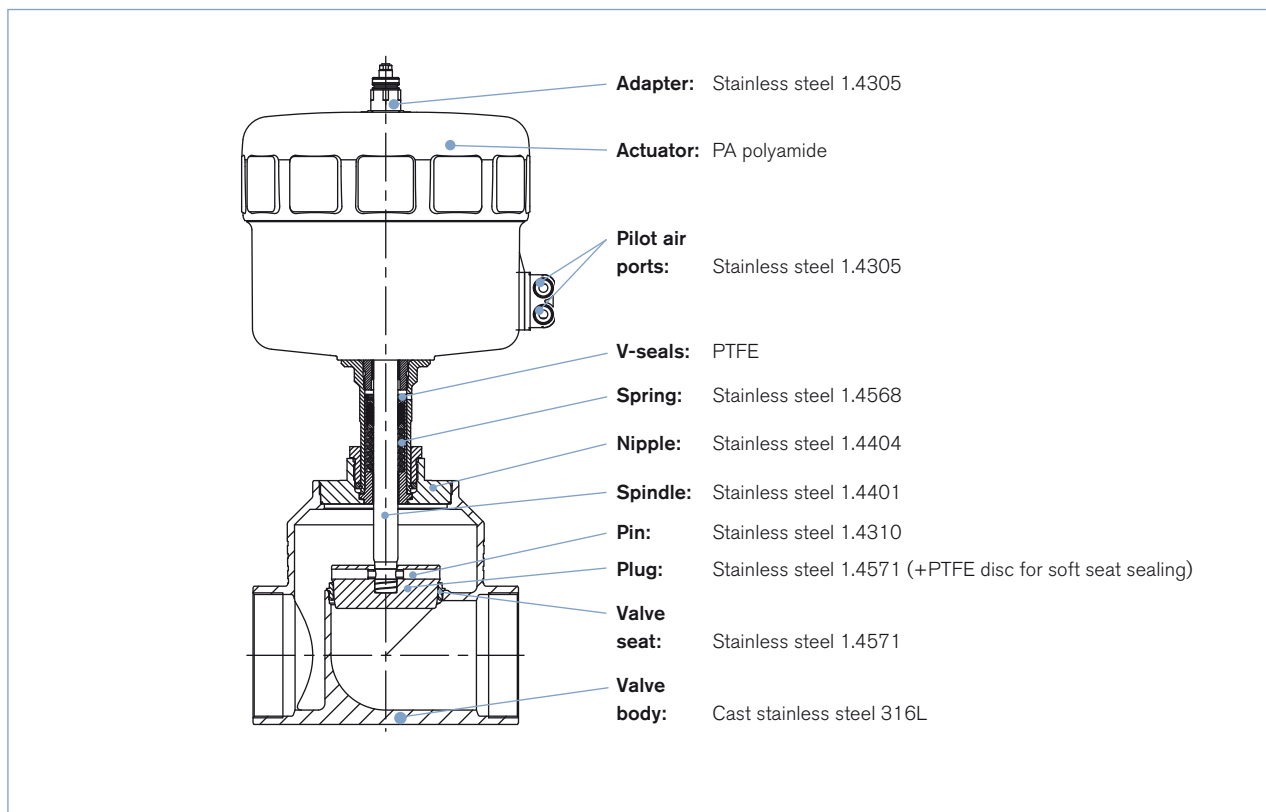
Actuator: PPS for actuator sizes 80-125 mm

Materials

DN 10-65 (actuator sizes 80 to 125 mm)

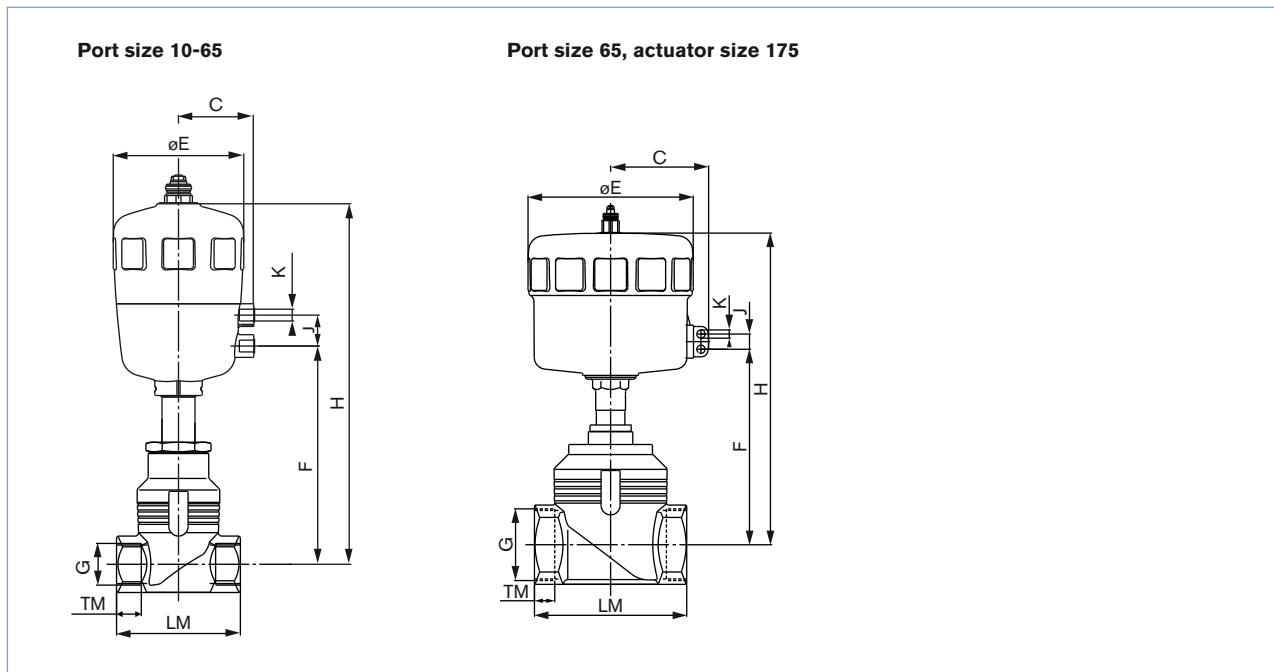


DN 65 (actuator size 175)



DTS 1000010999 EN Version: E Status: RL (released | freigegeben | validé) printed: 10.05.2010

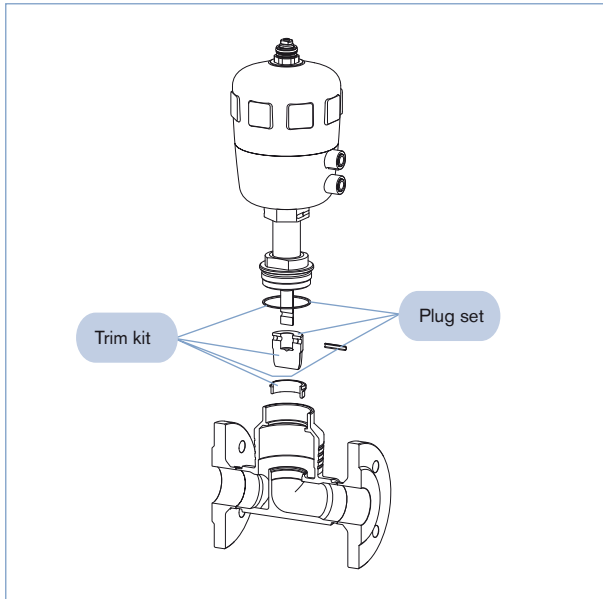
Dimensions [mm]



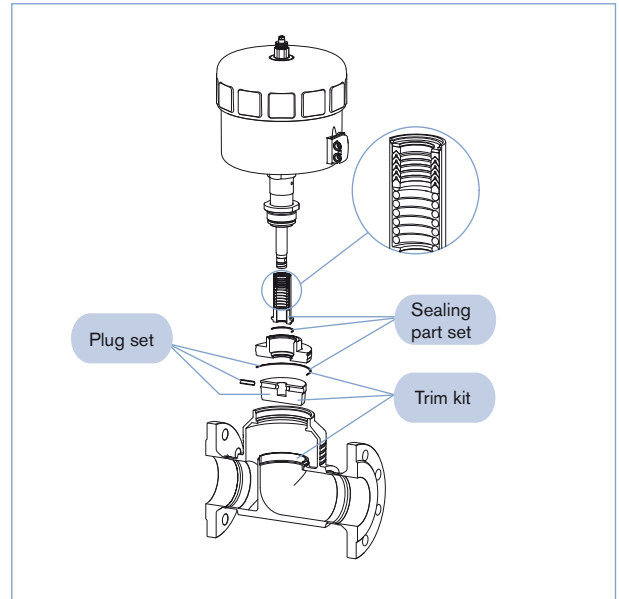
All actuators														
Port size	Actuator size	C	E	F	H	K	J	LM	G G [inch]	TM	NPT G [inch]	TM	Rc G [inch]	TM
10	80	60	101	166	264	G 1/4	24	65	G 3/8	12	NPT 3/8	10.3	Rc 3/8	10.1
15	80	60	101	166	264	G 1/4	24	65	G 1/2	14	NPT 1/2	13.7	Rc 1/2	13.2
20	80	60	101	160	259	G 1/4	24	75	G 3/4	16	NPT 3/4	14.0	Rc 3/4	14.5
25	80	60	101	164	262	G 1/4	24	90	G 1	18	NPT 1	16.8	Rc 1	16.8
32	100	73	127	208	346	G 1/4	30	110	G 1 1/4	20	NPT 1 1/4	17.3	Rc 1 1/4	19.1
40	100	73	127	214	351	G 1/4	30	120	G 1 1/2	22	NPT 1 1/2	17.3	Rc 1 1/2	19.1
50	125	86	157	225	388	G 1/4	30	150	G 2	24	NPT 2	17.6	Rc 2	23.4
65	125	86	157	254	417	G 1/4	30	185	G 2 1/2	26	NPT 2 1/2	23.7	Rc 2 1/2	26.7
	175	130	211	289	479	G 1/4	24	185	G 2 1/2	26	NPT 2 1/2	23.7	Rc 2 1/2	26.7

Spare parts for Type 2712 – DN 10-65 (on request)

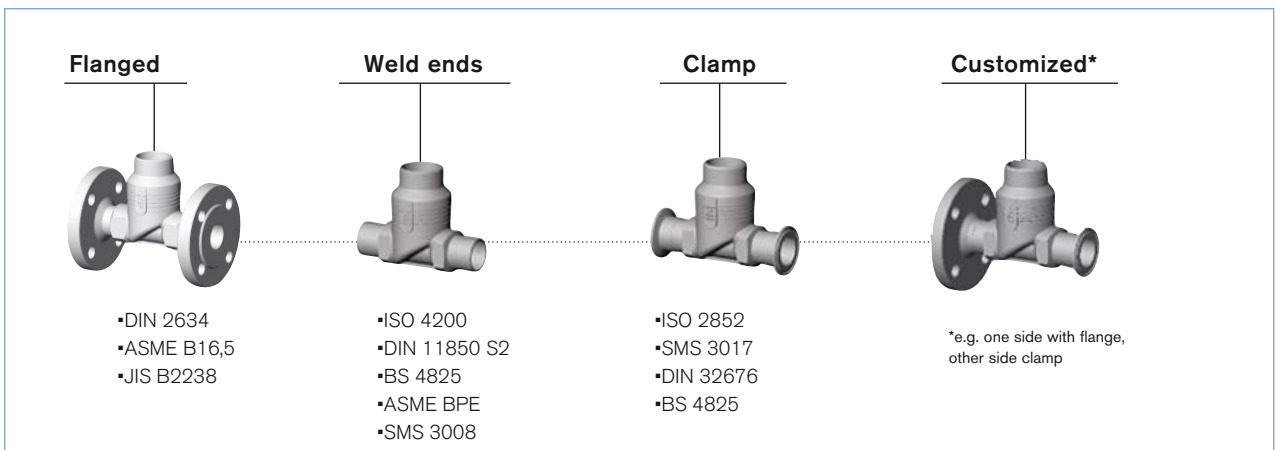
Port size 10-65 in combination with actuator size 80 to 125 mm



Port size 65 in combination with actuator size 175 mm



Further process connections



Ordering information for valve system Continuous Classic Type 8802-GB

A **valve system Continuous Classic Type 8802-GB** consists of an **globe control valve Type 2712** and a digital electropneumatic Positioner **Type 8692**, a digital electropneumatic Process Controller **Type 8693**, a digital electropneumatic Positioner Basic **Type 8694** (below) or a valve actuation system TopControl **Type 8630**, SideControl **Type 8635** or an electropneumatic positioner **Type 8792/8793** (next page) (see separate datasheets). For the configuration of further valve systems please use the "Request for quotation" on p. 18 [go to page](#)
You order two components and receive a complete assembled and certified valve.

Ordering the valve system Continuous Classic Type 8802-GB

**Globe control valve
Type 2712**



Positioner



Positioner
Type 8692



Process Controller
Type 8693



Positioner Basic
Type 8694

**Globe control valve
with desired control unit**



**Valve system
Continuous
Classic
Type 8802-GB-I
2712 + 8692**



**Valve system
Continuous
Classic
Type 8802-GB-J
2712 + 8693**



**Valve system
Continuous
Classic
Type 8802-GB-L
2712 + 8694**

When you click on the orange box "More info." below, you will come to our website for the resp. product where you can download the datasheet.

**Positioner TopControl
Type 8692**

**More
info.**

**Process Controller
TopControl Type 8693**

**More
info.**



The new generation of integrated positioners/process controllers for combination with actuators from the process valve series Type 23xx/2103 is specially designed for the requirements of hygienic process environments. The easy handling and the selection of additional software functions are done either on a big graphic display with backlight and keypad or via a PC interface. A contact-free analogue position sensor registers the valve position without deterioration. Single-acting or double-acting actuators are controlled via the integral positioner system. With Type 8693, the process controller function is superimposed on the position control loop. Profibus DPV1 and DeviceNet communication interfaces are available as options. Main customer benefits:

- Compact design of the valve system with integrated positioner/process controller meets the demands for plant washdown environments through the selection of materials, external seals and integrated control air supply to the actuator
- Extremely simple commissioning and operation thanks to the back-lighting of the graphics display and proven multilingual software structure
- Automatic parameterisation of the positioner and process controller using the TUNE functions
- Field bus communication via Profibus DPV1 or DeviceNet
- Air intake filter enhances the process valve system availability
- Simple and reliable actuator adaption
- Explosion-proof models for zone 2/22

Positioner TopControl Basic Type 8694

**More
info.**



The new generation of integrated positioners for combination with actuators from the process valve series Type 23xx/2103 is specially designed for the requirements of hygienic process environments. The operation and selection of the software functions close tight function, inversion of the operating direction of the setpoint signal, characteristic curves selection and switching manual/automatic operation are effected via push-buttons and DIP switches or via the PC interface. The position setpoint is set using the standard signal 4 - 20 mA. In addition, the enable can be controlled via the binary input and an optional position feedback can be integrated. The positioner, Type 8694, registers the valve position without deterioration through a contact-free analogue position sensor. Single-acting or double-acting actuators are controlled via the integral positioner system. An AS-Interface communication interface is available as an option. Main customer benefits:

- Compact design of the valve system with integrated positioner meets the demands for plant washdown environments through the selection of materials, external seals and integrated control air supply to the actuator
- Automatic parameterisation of the process controller using the Process TUNE function
- Field bus communication via optional AS-Interface
- Air intake filter enhances the process valve system availability
- Simple and reliable actuator adaption allowing additional actuators of the process valve series, Type 20xx or actuators from other manufacturers to be used
- Explosion-proof models for zone 2/22

Ordering information for valve system Continuous Classic Type 8802-GB, continued

A **valve system Continuous Classic Type 8802-GB** consists of an **globe control valve Type 2712** and a digital electropneumatic Positioner **Type 8692**, a digital electropneumatic Process Controller **Type 8693**, a digital electropneumatic Positioner Basic **Type 8694** (previous page) or a valve actuation system TopControl **Type 8630**, SideControl **Type 8635** or an electropneumatic positioner **Type 8792/8793** (below) (see separate datasheets). For the configuration of further valve systems please use the "Request for quotation" on p. 18 [go to page](#). You order two components and receive a complete assembled and certified valve.

Ordering the valve system Continuous Classic Type 8802-GB

**Globe control valve
Type 2712**

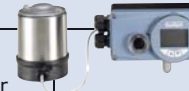
Positioner



Positioner/
Process Controller
Type 8630



Positioner/
Process Controller
Type 8635



Positioner
Type 8792/
Process
Controller
Type 8793

**Globe control valve
with desired control unit**



**Valve system
Continuous Classic
Type 8802-GB-A
2712 + 8630**



**Valve system
Continuous Classic
Type 8802-GB-B
2712 + 8635**



**Valve system
Continuous Classic
Type 8802-GB-P
2712 + 8792 /
Type 8802-GB-Q
2712 + 8793**

When you click on the orange box "More info." below, you will come to our website for the resp. product where you can download the datasheet.

TopControl Type 8630

More info.



0/4-20 mA
0-5/10 V

PROFIBUS
DeviceNet™



The Type 8630 is an electro-pneumatic positioner for usage with pneumatically operated process valves. The compact design with integrated position encoder and LCD display was developed for demanding applications of the process industry.

Main customer benefits are:

- Time saving algorithms for temperature, flow and pressure PID parameters through ProcessTUNE function.
- Quick and simple menu driven parameterization through keyboard
- Field bus communication via Profibus DPV1 or DeviceNet
- Fits seamlessly to Bürkert's process valve systems
- Break resistant housing
- Suitable for hazardous locations per zone 2 and 22

**SideControl Type 8635, 2-wire,
intrinsically safe**

More info.



4-20 mA



Type 8635 is a digital electro-pneumatic positioner with an optional, integrated process controller for precise control requirements. The compact design with integrated position encoder and LCD display was developed for demanding applications of the process industry.

Main customer benefits are:

- Time saving algorithms for temperature, flow and pressure PID parameters through ProcessTUNE function.
- Quick and simple menu driven parameterization through keyboard or Profibus PA
- Remote setpoint adjustment via a 4-20 mA signal
- Adaptation according to IEC534-6 for lift and swivel drives
- Rugged anodised aluminium housing
- Suitable for hazardous locations per zone 1, zone 21 or zone 2 and 22

Positioner SideControl Type 8792

More info.

Process Controller SideControl Type 8793

More info.



PROFIBUS
PA



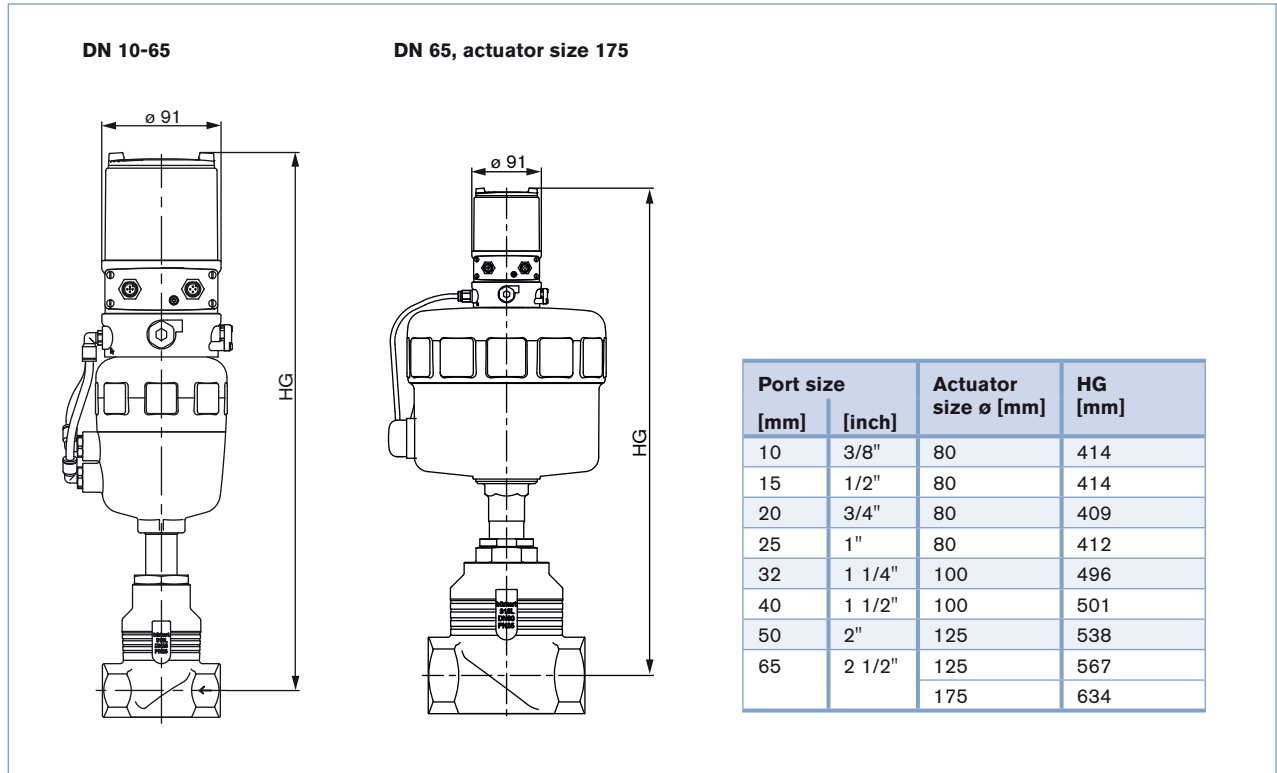
Type 8792/8793 is a digital electro-pneumatic positioner with an optional, integrated process controller (8793) for precise control requirements. The compact design with integrated position encoder and LCD display was developed for demanding applications of the process industry. A Profibus DPV1 communication interface is available as an option.

Main customer benefits are:

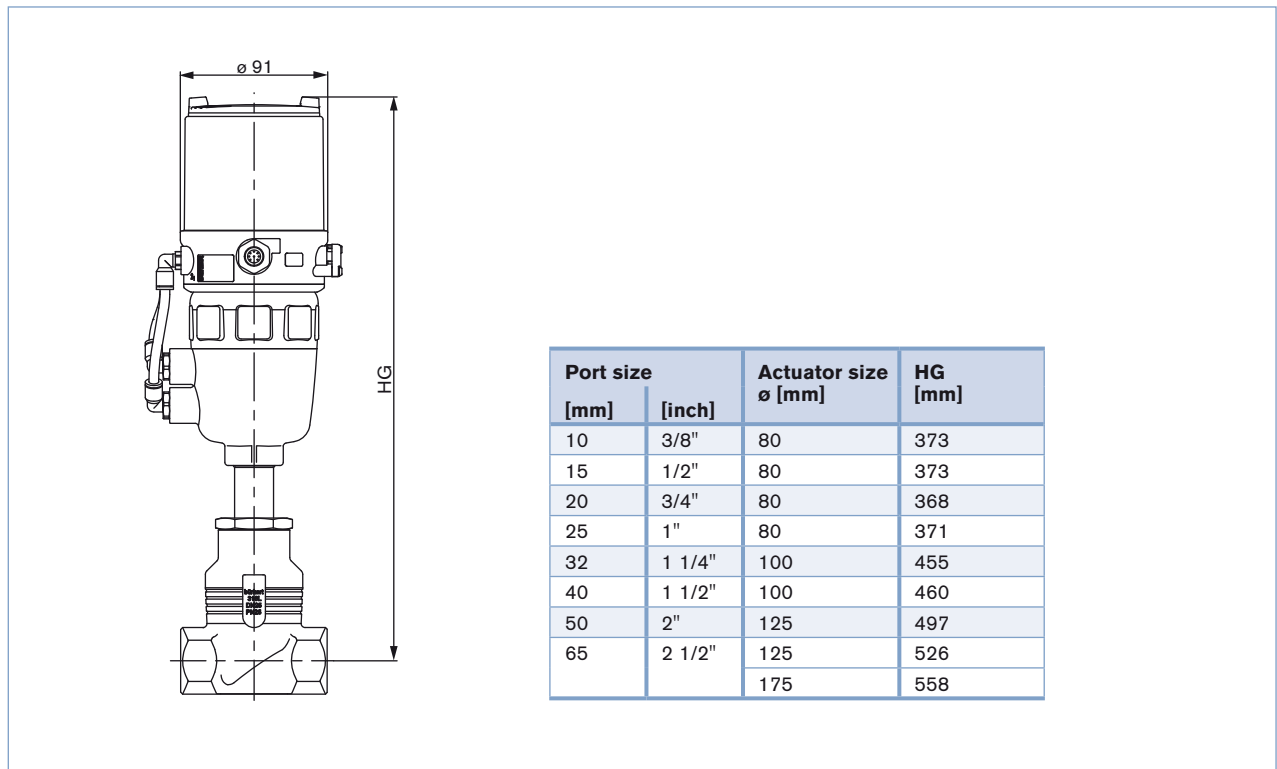
- Time saving algorithms for temperature, flow and pressure PID parameters through ProcessTUNE function.
- Quick and simple menu driven parameterization through keyboard or Profibus DPV1 PA
- Adaption acc. to IEC534-6 and VDI/VDE 3845 for lift and swivel drives or as a Remote version together with Bürkert process valves
- Rugged anodised aluminium housing
- Suitable for hazardous locations per zone 2/22

Dimensions for valve system Continuous Classic Type 8802-GB [mm]

Dimensions valve system Continuous Classic Type 8802-GB-I with positioner TopControl Type 8692 and 8802-GB-J with process controller TopControl Type 8693 [mm]



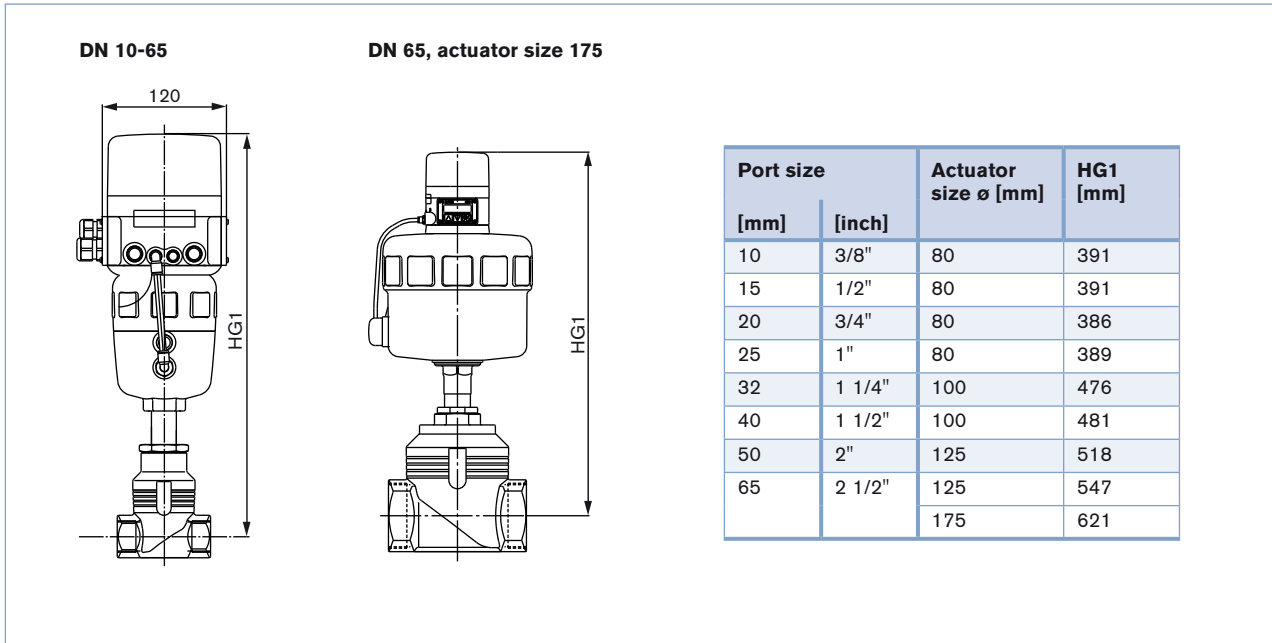
Dimensions valve system Continuous Classic Type 8802-GB-L with positioner TopControl Basic Type 8694 [mm]



Further dimensions see p. 11

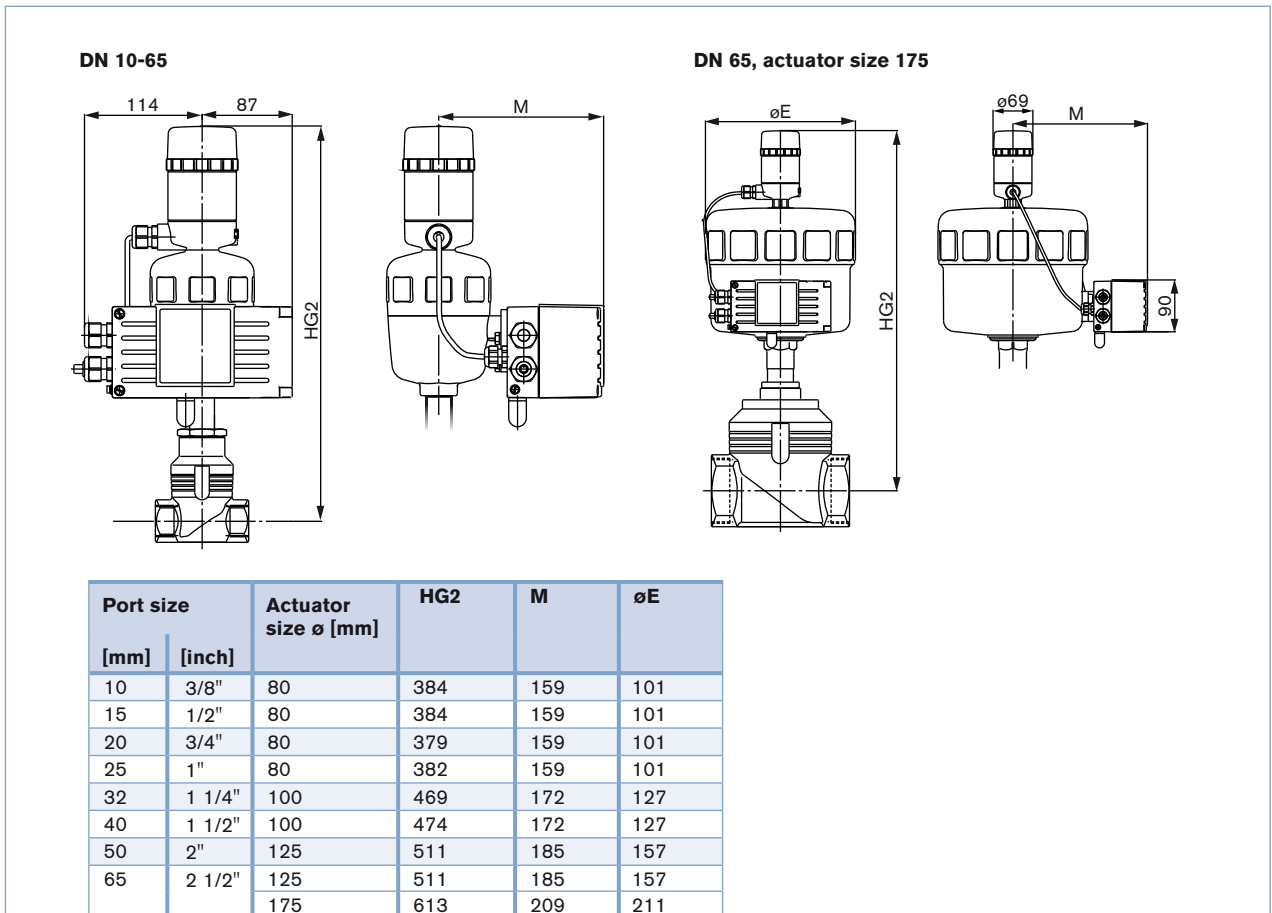
Dimensions for valve system Continuous Classic Type 8802-GB [mm], continued

Dimensions valve system Continuous Classic Type 8802-GB-A with positioner TopControl Type 8630 [mm]



Further dimensions see p. 11

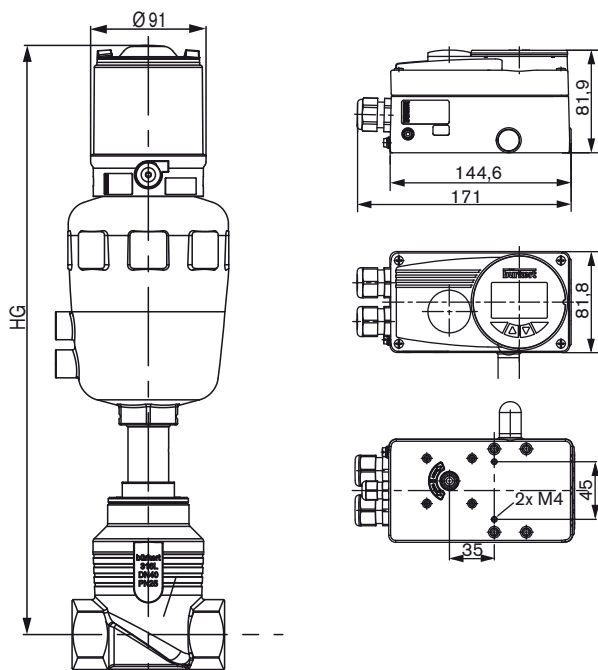
Dimensions valve system Continuous Classic 8802-GB-B with positioner SideControl Type 8635 [mm]



Further dimensions see p. 11

Dimensions for valve system Continuous Classic Type 8802-GB [mm], continued

Dimensions valve system Continuous Classic Type 8802-GB-P with Positioner SideControl Remote Type 8792 and Type 8802-GB-Q with Process Controller SideControl Remote Type 8793 [mm]



Port size		Actuator size \varnothing [mm]	HG [mm]
[mm]	[inch]		
10	3/8"	80	376
15	1/2"	80	376
20	3/4"	80	371
25	1"	80	374
32	1 1/4"	100	458
40	1 1/2"	100	463
50	2"	125	500
65	2 1/2"	125	529
		175	591

Further dimensions see p. 11

Note

You can fill out the fields directly in the PDF file before printing out the form.

Valve system Continuous Classic Type 8802-GB - Request for quotation

▶ Please fill out and send to your nearest Bürkert facility* with your inquiry or order

Company	Contact person
Customer no.	Department
Address	Tel./Fax
Postcode/town	E-Mail

= mandatory fields to fill out

Quantity

Required delivery date

Operating data

Pipeline	DN	<input type="text"/>	PN	<input type="text"/>
Pipe material	<input type="text"/>			
<input checked="" type="checkbox"/> Process medium	<input type="text"/>			
<input checked="" type="checkbox"/> Type of media	<input type="checkbox"/> Liquid	<input type="checkbox"/> Steam	<input type="checkbox"/> Gas	
	min	standard	max	unit
<input checked="" type="checkbox"/> Flow rate (Q, Q _N , W) ¹⁾	<input type="text"/>	<input type="text"/>	<input type="text"/>	<input type="text"/>
<input checked="" type="checkbox"/> Temperature at valve inlet	<input type="text"/>	<input type="text"/>	<input type="text"/>	<input type="text"/>
<input checked="" type="checkbox"/> Absolute pressure at valve inlet	<input type="text"/>	<input type="text"/>	<input type="text"/>	<input type="text"/>

¹⁾ standard unit: Liquid Q = m³/h; Steam W = kg/h; Gas Qn = nm³/h

Valve features

Actuator material	<input type="checkbox"/> PA	<input type="checkbox"/> PPS
Body material	<input type="checkbox"/> Cast stainless steel	
Seat sealing material	<input type="checkbox"/> St.st./St.st.	<input type="checkbox"/> PTFE/St.st.
Nominal pressure	PN	<input type="text"/>
Nominal size	DN	<input type="text"/>
Type of connection	<input type="checkbox"/> Socket union	<input type="checkbox"/> Flanged
	<input type="checkbox"/> Welded	<input type="checkbox"/> Internal thread
	<input type="checkbox"/> External thread	<input type="checkbox"/> Clamp
Standard connection	<input type="checkbox"/> DIN	<input type="checkbox"/> ASA
	<input type="checkbox"/> ISO	<input type="checkbox"/> Other <input type="text"/>
Function	<input type="checkbox"/> NC ²⁾	<input type="checkbox"/> NO ²⁾
Pilot pressure	<input type="text"/> min.	<input type="text"/> max.
Please specify item no. if known:	<input type="text"/>	

²⁾NC: normally closed by spring action; NO: normally open by spring action

continued next page

* To find your nearest Bürkert facility, click on the orange box →

www.burkert.com

Valve system Continuous Classic Type 8802-GB - Request for quotation, continued

Control unit features		
<input type="checkbox"/> Positioner TopControl Type 8692 More info.	<input type="checkbox"/> Process Controller TopControl Type 8693 More info.	<input type="checkbox"/> Positioner TopControl Basic Type 8694 More info.
Pneumatic function <input type="checkbox"/> Single-acting <input type="checkbox"/> Double-acting Communication <input type="checkbox"/> Profibus <input type="checkbox"/> DeviceNet Electrical connection <input type="checkbox"/> Cable gland <input type="checkbox"/> Multipol connection Feedback <input type="checkbox"/> 4-20 mA <input type="checkbox"/> 4-20 mA + 2 binary outputs Initiator <input type="checkbox"/> Initiator Please specify item no. if known: <input type="text"/>		Pneumatic function <input type="checkbox"/> Single-acting Pilot air ports <input type="checkbox"/> Push-in connector external \varnothing 6 mm or 1/4" <input type="checkbox"/> Thread G 1/8" Electrical connection <input type="checkbox"/> Cable gland <input type="checkbox"/> Multipol connection Feedback <input type="checkbox"/> 4-20 mA Please specify item no. if known: <input type="text"/>
<input type="checkbox"/> Positioner TopControl Type 8630 - 3-wire More info.	<input type="checkbox"/> Positioner SideControl Type 8635 - 2-wire More info.	<input type="checkbox"/> Positioner SideControl Remote Type 8792 More info. <input type="checkbox"/> Process Controller SideControl Remote Type 8793 More info.
Power supply 24 VDC Communication Setpoint / feedback analogue signal or via BUS <input type="checkbox"/> Profibus DP <input type="checkbox"/> DeviceNet <input type="checkbox"/> Positioner version Input 0/4 - 20 mA / 0-5/10 V Feedback <input type="checkbox"/> 4 - 20 mA <i>or/and</i> <input type="checkbox"/> Binary <input type="checkbox"/> PID Controller version ³⁾ Input measuring signal 4 - 20 mA / Pt100 / Frequency Inductive proximity switch <input type="checkbox"/> 1 <input type="checkbox"/> 2 Please specify item no. if known: <input type="text"/>	<input type="checkbox"/> Standard <input type="checkbox"/> ATEX/FM Zone 1 <input type="checkbox"/> Zone 2/22 Power supply 24 VDC via setpoint or BUS Communication Setpoint / feedback analogue signal or via BUS <input type="checkbox"/> Profibus PA <input type="checkbox"/> Positioner version Input 4 - 20 mA Feedback <input type="checkbox"/> 4 - 20 mA <i>or/and</i> <input type="checkbox"/> Binary <input type="checkbox"/> PID Controller version ³⁾ Input measuring signal 4 - 20 mA Inductive proximity switch <input type="checkbox"/> 1 <input type="checkbox"/> 2 Please specify item no. if known: <input type="text"/>	Power supply 24 VDC Communication <input type="checkbox"/> Without <input type="checkbox"/> Profibus DPV1 Feedback <input type="checkbox"/> Analogue feedback + 2 binary outputs <input type="checkbox"/> 2 binary outputs Electrical connection <input type="checkbox"/> Cable gland <input type="checkbox"/> Multipol connection Please specify item no. if known: <input type="text"/>

³⁾ same setpoint for input and feedback signal as for Positioner version

Comments