

# FINE CONTROLS (UK) LTD



Fine Controls have been supplying process controls & instrumentation equipment since 1994, & now serves an ever expanding customer base, both in the UK & globally.

We offer a full range of valve & instrumentation products & services, with our product range representing leading technologies & brands:

**Flow:** Flow Meters & Transmitters, Flow Switches, Flow Control Valves & Batch Control Systems

**Temperature:** Temperature Probes & Thermowells, Temperature transmitters, Temperature Regulators & Temperature Displays

**Level:** Level Transmitters & Switches

**Pressure:** Pressure Gauges & Transmitters, Precision & High Pressure Regulators & I-P Converters, Volume boosters.

**Precision Pneumatics:** Pressure Regulators, I-P Converters, Volume Boosters, Vacuum Regulators

**Valves:** Solenoid & Pneumatic Valves, Control Valves & Positioners, Actuated Ball, Globe or Diaphragm Valves & Isolation Valves

**Services:** Repair, Calibration, Panel Build, System Design & Commissioning

A rotork® Brand  
**FAIRCHILD**



**bürkert**



**SIEMENS**



**alcon**  
SOLENOID VALVES

A rotork® Brand



**MIDLAND-ACS**  
A rotork® Brand



**Honeywell**



**Bourdon**  
Baumer Group



**SOLDO**  
CONTROLS

A rotork® Brand



Fine Controls (UK) LTD, Bassendale Road, Croft Business Park,  
Bromborough, Wirral, CH62 3QL UK  
Tel: 0151 343 9966  
Email: sales@finecontrols.com



## 2/2-way Solenoid Valve for higher pressures, G 1/4

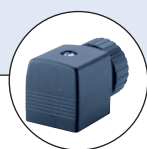
- Pressure range up to 250 bar
- Direct-acting, normally closed and normally open
- Electrical connection cable plug Form A
- Also available with ATEX approval

Type 2200 can be combined with...



**Type 1078**

Timer unit



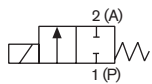
**Type 2508**

Cable plug

The direct-acting valve Type 2200 is delivered with circuit function normally closed. The valve is especially developed for high pressures.

The characteristic of the valve construction is the seat design and the sealing element. The conical sealing element allows the switching at high pressures with relative low coil capacity and seal setting.

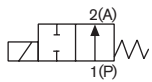
### Circuit function A



2/2-way valve, NC

on request

### Circuit function B



2/2-way valve, NO

Technical data	
Port connection	G 1/4
Orifice	DN 1.2 - 2.0
Body material	Stainless steel 1.4401
Coil material	Epoxy
Coil insulation class	H
Seal material	Stainless steel/PCTFE
Media	Neutral gases and liquids
Media temperature	-10° to +130°C
Ambient temperature	max. +55°C
Viscosity	max. 21 mm <sup>2</sup> /s
Operating voltage	24 V DC, 24 / 230 V / 50 Hz other voltages on request
Voltage tolerance	±10%
Cycling rate	max. 100/min.
Duty cycle	100% continuous rating
Electrical connection	DIN EN 175301-803 Form A for cable plug Type 2508
Protection class	IP65 with cable plug
Installation	As required, preferably with actuator in upright position

Technical data, continued

Power consumption

Voltage AC			Voltage DC
Power consumption			Power consumption
Inrush [VA]	Hold (hot coil) [VA]	[W]	(hot / cold coil) [W]
85	48	14	14 / 18

Response times

Response times	
AC and DC Opening [ms]	Closing [ms]
20-30	20-30

**Response times [ms]:**  
 Measured at valve outlet at 6 bar and +20 °C  
 Opening: pressure build-up 0 to 90%,  
 closing: pressure relief 100 to 10%

Ordering chart for valves (further versions on request)

Valves with stainless steel body, seal material stainless steel/PCTFE, with cable plug

Circuit function	Port connection	Orifice [mm]	Kv value water [m³/h] <sup>1)</sup>	Pressure range [bar] <sup>2)</sup>	Weight [kg]	Item no. per voltage/frequency [V/Hz]		
						024/DC	024/50	230/50
<b>A</b> 2/2-way valve, NC 	G 1/4	1.2	0.03	0-250	1.22	000 487	000 733	000 474
		2.0	0.09	0-150	1.22	-	000 673	000 630

<sup>1)</sup> Measured at +20 °C, 1 bar<sup>2)</sup> pressure at valve inlet and free outlet.  
<sup>2)</sup> Overpressure with respect to atmospheric pressure

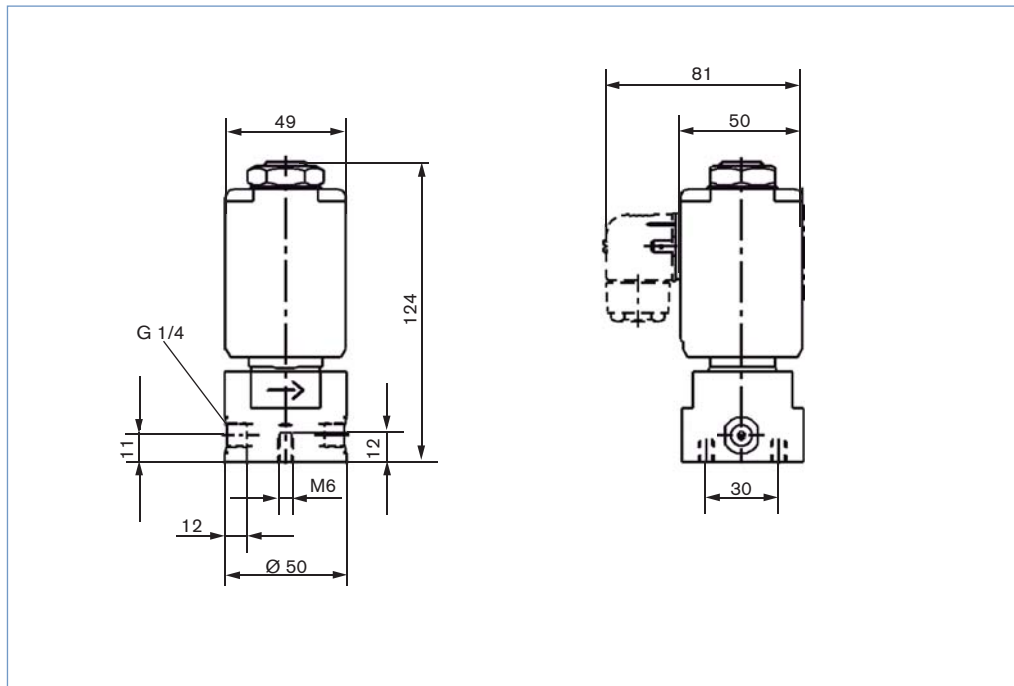
**i** Further versions on request

- Port connection**  
Threaded port G 1/8, NPT 1/4
- Circuit function**  
B normally open
- Voltage**  
Non-standard voltages
- Approvals**  
ATEX, EEx ed IIC T4

Materials

<b>Locknut</b>	DIN 176 9Sn Pb 28K thick-film-passivated
<b>Coil</b>	Epoxy
<b>Stopper</b>	Stainless steel 1.4105
<b>Shading ring</b>	Silver
<b>Spring</b>	Stainless steel 1.4310
<b>Plunger</b>	Stainless steel 1.4105
<b>Guide tube</b>	Stainless steel 1.4571
<b>O-Ring</b>	FKM
<b>Nipple</b>	Stainless steel 1.4305
<b>Conical nipple</b>	Stainless steel 1.4571
<b>Seat</b>	PCTFE
<b>Body</b>	Stainless steel 316L (1.4401)

## Dimensions [mm]



To find your nearest Bürkert facility, click on the orange box →

[www.burkert.com](http://www.burkert.com)

In case of special application conditions,  
please consult for advice.

We reserve the right to make technical changes without notice.  
© Christian Bürkert GmbH & Co. KG

0802/1\_EU-en\_00895069