

# FINE CONTROLS (UK) LTD



Fine Controls have been supplying process controls & instrumentation equipment since 1994, & now serves an ever expanding customer base, both in the UK & globally.

We offer a full range of valve & instrumentation products & services, with our product range representing leading technologies & brands:

**Flow:** Flow Meters & Transmitters, Flow Switches, Flow Control Valves & Batch Control Systems

**Temperature:** Temperature Probes & Thermowells, Temperature transmitters, Temperature Regulators & Temperature Displays

**Level:** Level Transmitters & Switches

**Pressure:** Pressure Gauges & Transmitters, Precision & High Pressure Regulators & I-P Converters, Volume boosters.

**Precision Pneumatics:** Pressure Regulators, I-P Converters, Volume Boosters, Vacuum Regulators

**Valves:** Solenoid & Pneumatic Valves, Control Valves & Positioners, Actuated Ball, Globe or Diaphragm Valves & Isolation Valves

**Services:** Repair, Calibration, Panel Build, System Design & Commissioning

A rotork® Brand  
**FAIRCHILD**



**bürkert**



**SIEMENS**



**alcon**  
SOLENOID VALVES

A rotork® Brand



**MIDLAND-ACS**  
A rotork® Brand



**Honeywell**



**Bourdon**  
Baumer Group



**SOLDO**  
CONTROLS

A rotork® Brand



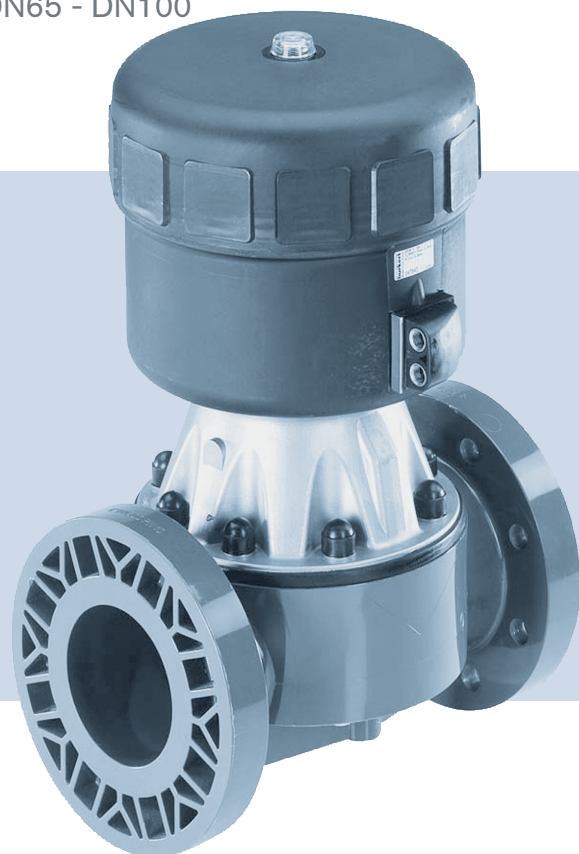
Fine Controls (UK) LTD, Bassendale Road, Croft Business Park,  
Bromborough, Wirral, CH62 3QL UK  
Tel: 0151 343 9966  
Email: sales@finecontrols.com

## **Type 2030, 2031, 2031 K, 2032, 2033, 2037**

Piston operated diaphragm valve,  
Actuator sizes 175 and 225 mm, Diameter DN65 - DN100

Kolbengesteuerte Membranventile,  
Antriebsgrößen 175 und 225 mm, Nennweiten DN65 - DN100

Vannes à membrane commandée par piston, Tailles  
de mécanisme 175 et 225 mm, Piston section nominale DN65 - DN100



### Operating Instructions

Bedienungsanleitung  
Manuel d'utilisation

MAN 1000010234 ML Version: J printed: 18.11.2010 Status: RL (released | freigegeben)

We reserve the right to make technical changes without notice.  
Technische Änderungen vorbehalten.  
Sous réserve de modification techniques.

© 2000 - 2010 Bürkert Werke GmbH

Operating Instructions 1010/08\_EU-ML\_00803968 / Original DE

## Piston operated diaphragm valves type 2030, 2031, 2031 K, 2032, 2033, 2037

### CONTENTS

<b>1.</b>	<b>OPERATING INSTRUCTIONS.....</b>	<b>5</b>
1.1.	Symbols .....	5
<b>2.</b>	<b>AUTHORIZED USE .....</b>	<b>6</b>
2.1.	Restrictions .....	6
2.2.	Predictable Misuse.....	6
<b>3.</b>	<b>BASIC SAFETY INSTRUCTIONS.....</b>	<b>7</b>
<b>4.</b>	<b>GENERAL INFORMATION.....</b>	<b>8</b>
4.1.	Scope of Supply .....	8
4.2.	Contact Addresses.....	8
4.3.	Warranty .....	8
4.4.	Licenses.....	8
4.5.	Information on the Internet.....	8
<b>5.</b>	<b>SYSTEM DESCRIPTION .....</b>	<b>9</b>
5.1.	General Description.....	9
5.2.	Intended Application Area.....	9
<b>6.</b>	<b>TECHNICAL DATA.....</b>	<b>10</b>
6.1.	Rating plate .....	10
6.2.	Operating Conditions.....	11
6.3.	General Technical Data.....	15
<b>7.</b>	<b>STRUCTURE AND FUNCTION.....</b>	<b>16</b>
7.1.	Structure .....	16
7.2.	Function .....	18
<b>8.</b>	<b>INSTALLATION .....</b>	<b>19</b>
8.1.	Safety Instructions .....	19
8.2.	Before Installation .....	19
8.3.	Installation .....	22

8.4.	Disassembly .....	25
9.	ELECTRICAL CONNECTION .....	26
10.	MAINTENANCE, CLEANING .....	27
10.1.	Safety instructions .....	27
10.2.	Maintenance Work .....	27
11.	REPAIRS .....	29
11.1.	Safety instructions .....	29
11.2.	Replacing the diaphragm .....	29
12.	MALFUNCTIONS .....	32
13.	SPARE PARTS .....	33
13.1.	Order table .....	34
14.	PACKAGING AND TRANSPORT .....	35
16.	DISPOSAL .....	36

# 1. OPERATING INSTRUCTIONS

The operating instructions describe the entire life cycle of the device. Keep these instructions in a location which is easily accessible to every user and make these instructions available to every new owner of the device.

## The operating instructions contain important safety information!

Failure to observe these instructions may result in hazardous situations.

- The operating instructions must be read and understood.

## 1.1. Symbols



### **DANGER!**

**Warns of an immediate danger!**

- Failure to observe the warning may result in a fatal or serious injury.



### **WARNING!**

**Warns of a potentially dangerous situation!**

- Failure to observe the warning may result in serious injuries or death.



### **CAUTION!**

**Warns of a possible danger!**

- Failure to observe this warning may result in a medium or minor injury.

### **NOTE!**

**Warns of damage to property!**

- Failure to observe the warning may result in damage to the device or the equipment.



Indicates important additional information, tips and recommendations.



Refers to information in these operating instructions or in other documentation.

→ designates a procedure which you must carry out.

## 2. AUTHORIZED USE

**Non-authorized use of the devices may be dangerous to people, nearby equipment and the environment.**

- The diaphragm valves of Types 2030, 2031, 2031 K, 2032, 2033 and 2037 are designed for the control of contaminated, ultra-pure or sterile media, as well as for abrasive or aggressive media (also with higher viscosity). The devices may be used only for media which do not attack the housing and seal materials (see rating plate). Information on the resistance of materials to the media is available from your Bürkert sales office.
- During use observe the authorized data, the operating conditions and conditions of use specified in the contract documents and operating instructions. These are described in the chapter *6. Technical Data*.
- The device may be used only in conjunction with third-party devices and components recommended and authorized by Bürkert.
- Correct transportation, correct storage and installation and careful use and maintenance are essential for reliable and faultless operation.
- Use the device only as intended.

### 2.1. Restrictions

If exporting the system/device, observe any existing restrictions.

#### 2.1.1. Explosion Protection Approval

The explosion protection approval is only valid if you use the modules and components authorized by Bürkert, as described in these operating instructions.

If you make unauthorized changes to the system, the modules or components, the explosion protection approval will also be terminated.

### 2.2. Predictable Misuse

- Do not introduce media, which attack the housing or seal materials, into the media connections of the system. The Bürkert resistance table of materials can be found on the Internet at [www.burkert.com](http://www.burkert.com) → Documentation → Brochures & Catalogues → Chemical Resistance Chart.
- Do not put any loads on the housing (e.g. by placing objects on it or standing on it).
- Do not make any external modifications to the device housings. Do not paint the housing parts or screws.

### 3. BASIC SAFETY INSTRUCTIONS

These safety instructions do not make allowance for any:

- Contingencies and events which may arise during the installation, operation and maintenance of the devices.
- Local safety regulations – the operator is responsible for observing these regulations, also with reference to the installation personnel.



#### **Danger – high pressure!**

- Before loosening the lines and valves, turn off the pressure and vent the lines.

#### **Danger of bursting from overpressure!**

- Observe the specifications on the rating plate for max. control and medium pressure.
- Observe permitted medium temperature.

#### **Risk of electric shock!**

- Before reaching into the device or the equipment, switch off the power supply and secure to prevent reactivation!
- Observe applicable accident prevention and safety regulations for electrical equipment!

#### **Risk of burns/risk of fire if used continuously through hot device surface!**

- Keep the device away from highly flammable substances and media and do not touch with bare hands.

#### **General hazardous situations.**

To prevent injury, ensure that:

- The system cannot be activated unintentionally.
- Installation and repair work may be carried out by authorized technicians only and with the appropriate tools.
- After an interruption in the power supply or pneumatic supply, ensure that the process is restarted in a defined or controlled manner.
- The device may be operated only when in perfect condition and in consideration of the operating instructions.
- The general rules of technology apply to application planning and operation of the device.



The diaphragm valves Types 2030, 2031, 2031 K, 2032, 2033 and 2037 were developed with due consideration given to the accepted safety rules and are state-of-the-art. Nevertheless, dangerous situations may occur.

Failure to observe this operating manual and its operating instructions as well as unauthorized tampering with the device release us from any liability and also invalidate the warranty covering the devices and accessories!



## 4. GENERAL INFORMATION

### 4.1. Scope of Supply

Check immediately upon receipt of the delivery that the contents are not damaged and that the type and scope agree with the delivery note and packing list.

If there are any discrepancies, please contact us immediately.

### 4.2. Contact Addresses

#### Germany

Bürkert Fluid Control Systems  
Sales Center  
Chr.-Bürkert-Str. 13-17  
D-74653 Ingelfingen  
Tel. + 49 (0) 7940 - 10 91 111  
Fax + 49 (0) 7940 - 10 91 448  
E-mail: [info@de.buerkert.com](mailto:info@de.buerkert.com)

#### International

Contact addresses can be found on the final pages of the printed operating instructions.

And also on the Internet at:

[www.burkert.com](http://www.burkert.com) → [Bürkert](#) → [Company](#) → [Locations](#)

### 4.3. Warranty

This document contains no promise of guarantee. Please refer to our general terms of sales and delivery. The warranty is only valid if the device is used as intended in accordance with the specified application conditions.



The warranty extends only to defects in the diaphragm valve Types 2030, 2031, 2031 K, 2032, 2033, 2037 and its components.

We accept no liability for any kind of collateral damage which could occur due to failure or malfunction of the device.

### 4.4. Licenses

The approval rating on the Bürkert labels concerns the Bürkert products.

### 4.5. Information on the Internet

The operating instructions and data sheets for Types 2030, 2031, 2031 K, 2032, 2033 and 2037 can be found on the Internet at:

[www.buerkert.com](http://www.buerkert.com) → [Documentation](#) → [Type 2030, 2031, 2031 K, 2032, 2033, 2037](#)

## 5. SYSTEM DESCRIPTION

### 5.1. General Description

The Types 2030, 2031, 2031 K, 2032, 2033 and 2037 are an externally controlled diaphragm valve with piston drive and diaphragm seal. The valve is self-draining in the appropriate installation position.

### 5.2. Intended Application Area

The diaphragm valve of Type 2030 is designed for the control of contaminated and aggressive media. The valves of Type 2031, 2031 K, 2032, 2033 and 2037 can be used even for ultra-pure or sterile media with a higher viscosity. The valves may only control media which do not attack the housing and seal materials (see rating plate). Information on the resistance of materials to the media is available from your Bürkert sales office.

## 6. TECHNICAL DATA



### WARNING!

Risk of injury from high pressure!

Important device-specific technical specifications are indicated on the rating plate.

- Observe permitted pressure range on the rating plate of the device.

### 6.1. Rating plate

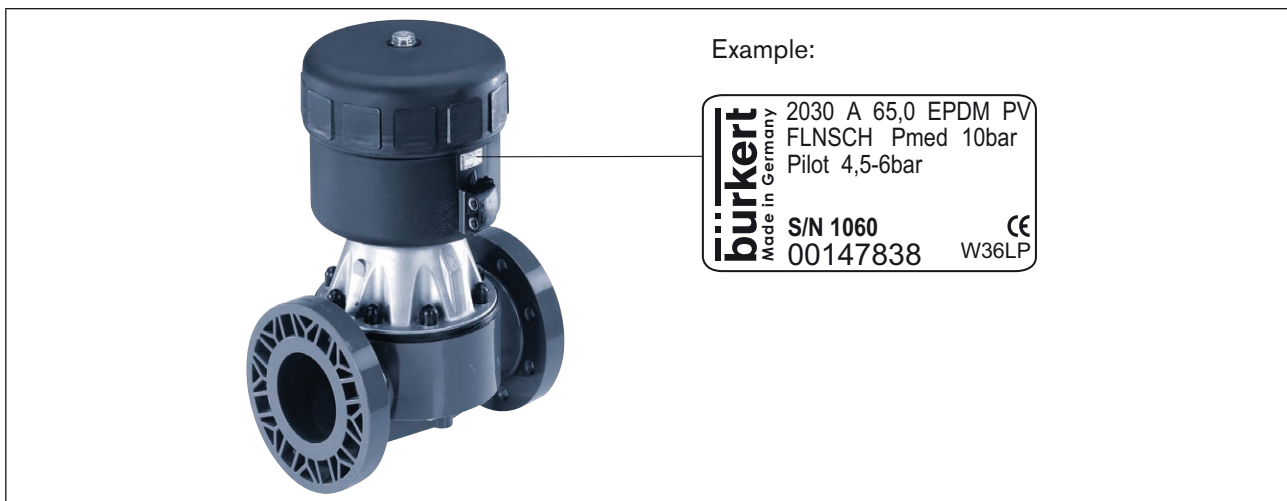
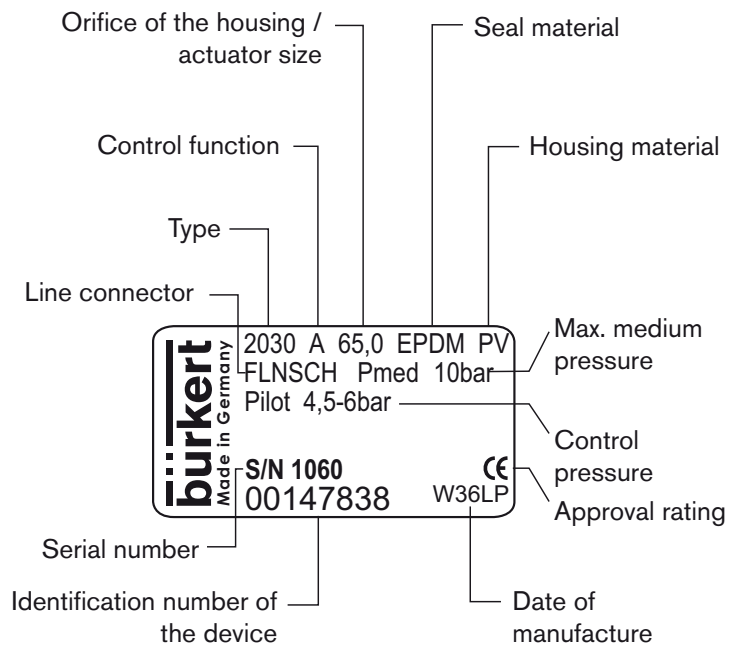


Figure 1: Example of rating plate

#### 6.1.1. Inscription on the rating plate



## 6.2. Operating Conditions



### WARNING!

#### Danger of bursting from overpressure!

If the device explodes, there is a risk of serious injury, chemical burns, scalding!

- Do not exceed the maximum control and medium pressure. Observe specifications on the rating plate!
- Observe permitted ambient and media temperature.

### 6.2.1. Allowable Temperatures

Ambient temperature for actuators:

Material	Size $\varnothing$	Temperature
PA	175 mm 225 mm	-10 ... +50 °C

Table 1: Ambient temperature for actuators

Medium temperature for housing:

Housing material	Temperature
Stainless steel	-10 ... +140 °C
PVC (see PT-graph)	-10 ... +60 °C
PVDF (see PT-graph)	-10 ... +120 °C
PP (see PT-graph)	-10 ... +80 °C

Table 2: Medium temperature for housing

Medium temperature for diaphragms:

Material	Temperature	Remarks
EPDM	-10 ... +130 °C	Steam sterilization up to +150 °C
PTFE		
FKM	-5 ... +130 °C	Dry up to +150 °C Otherwise only briefly up to +150 °C

Table 3: Medium temperature for diaphragms

### 6.2.2. Maximum Permitted Medium Pressure

Permitted medium pressure depending on the medium temperature.

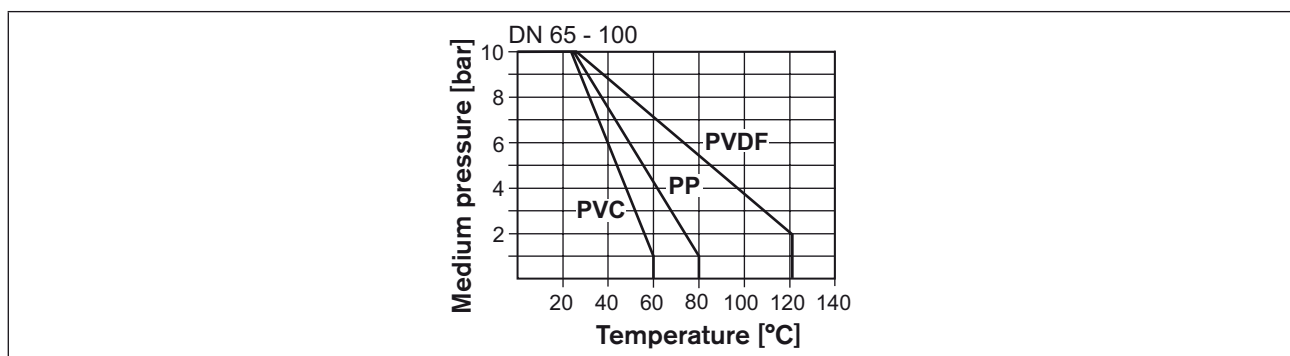


Figure 2: Graph of medium pressure / Medium temperature

### Maximum permitted medium pressure for control function A

The values apply to housing made of:

- Plastic,
- VA forged steel and VA precision casting, VA block material as well as VA tube-formed housing with socket, DIN welding neck flange and welded connection in accordance with EN ISO 1127 (ISO 4200)

Nominal width DN [mm]	Actuator size $\varnothing$ [mm]	Max. sealed medium pressure [bar]			
		Pressure on one side		Pressure on both sides	
		EPDM/FKM	PTFE	EPDM/FKM	PTFE
65	175	10.0	8.5	5.0	4.5
80	175	5.0	4.5	2.5	2.0
	225	10.0	10.0	6.0	4.5
100	225	8.0	4.0	3.5	1.5

Table 4: Maximum permitted medium pressure CFA

### 6.2.3. Control Pressure



#### WARNING!

##### Danger of bursting from overpressure!

If the device explodes, there is a risk of serious injury, chemical burns, scalding!

- Do not exceed the maximum control and medium pressure. Observe specifications on the rating plate!

#### NOTE!

##### Malfunction due to incorrect control pressure!

The specifications on the rating plate apply to valves with reduced spring force (i.e. with lower control pressure). If you are unsure, please contact your Bürkert sales office.

#### Permitted control pressure\*

Nominal width DN [mm]	Actuator size $\varnothing$ mm	Min. control pressure [bar]	Max. control pressure [bar]
65	175	2	6
80	175	2	6
80	225	2	6
100	225	2	6

Table 5: Permitted control pressure



\* Observe the permitted pressure range according to the rating plate!

### Control pressure for control function A

Nominal width DN [mm]	Actuator size [mm]	Control pressure [bar] for medium pressure	
		0 bar	maximum
65	175	6	4.5
80	175	6	5.0
80	225	6	5.0
100	225	6	5.0

Table 6: Control pressure CFA

### 6.2.4. Minimum Control Pressure

#### Required minimum control pressure depending on medium pressure

The values apply to housing made of:

- Plastic
- All models with VA forged steel, VA precision casting and VA block material
- VA tube-formed housing with socket, DIN welding neck flange and weld-on ends in accordance with EN ISO 1127 (ISO 4200)

#### Control function B (CFB)

#### NOTE!

**Important for the service life of the diaphragm!**

- Do not select control pressure higher than required.

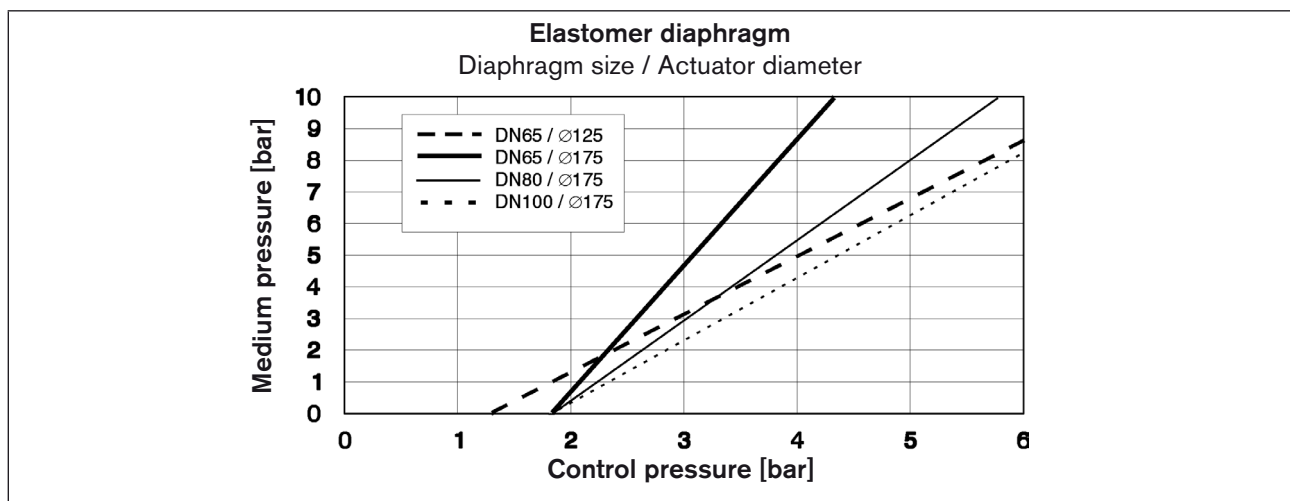


Figure 3: Control function B - Elastomer diaphragm

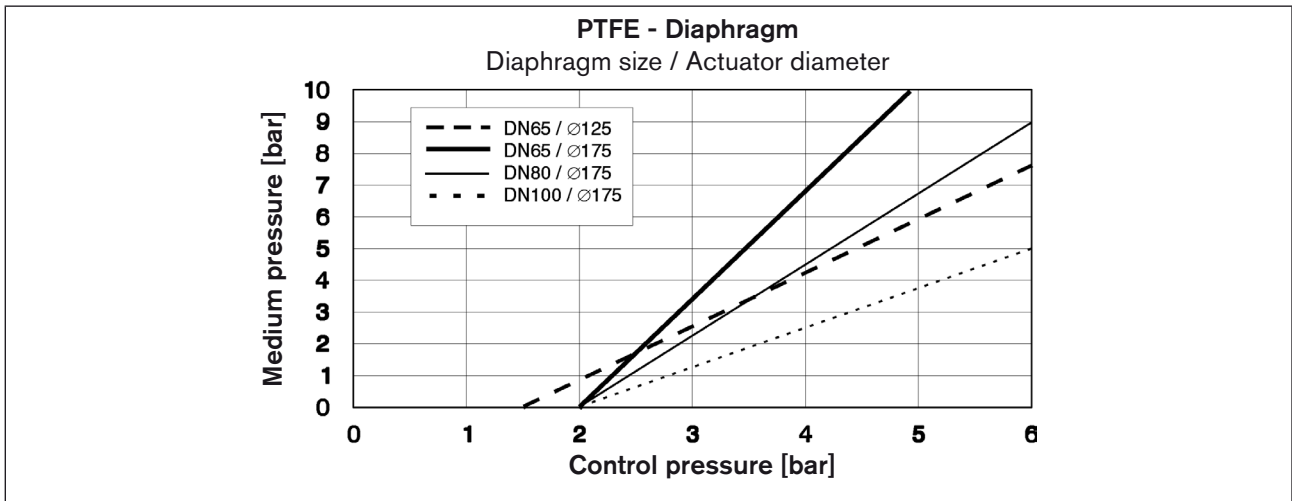


Figure 4: Control function B - PTFE diaphragm

**Control function I**

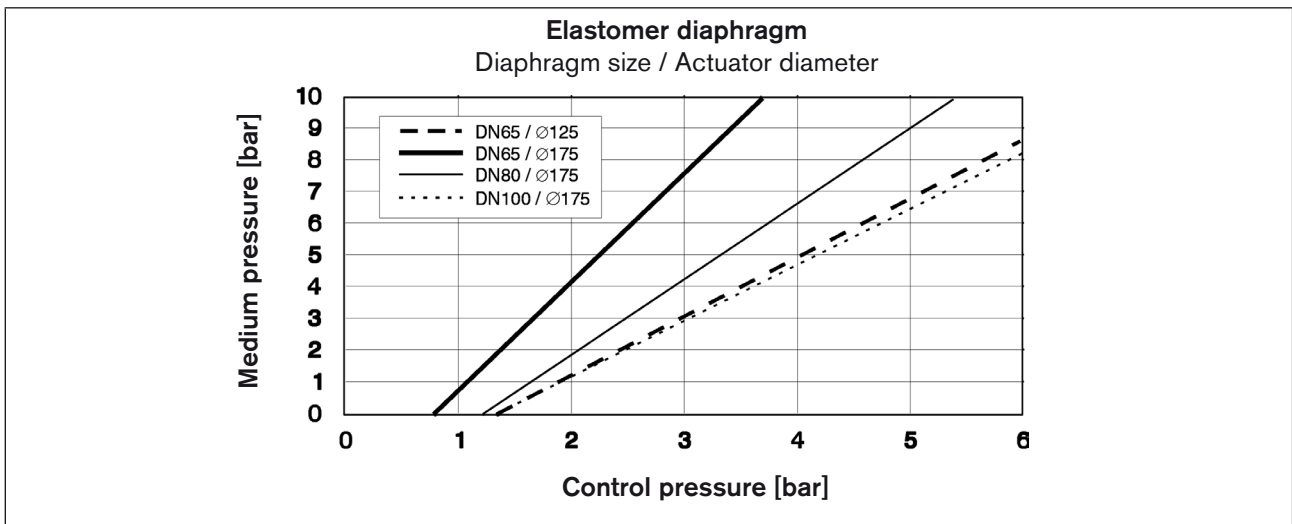


Figure 5: Control function I - Elastomer diaphragm

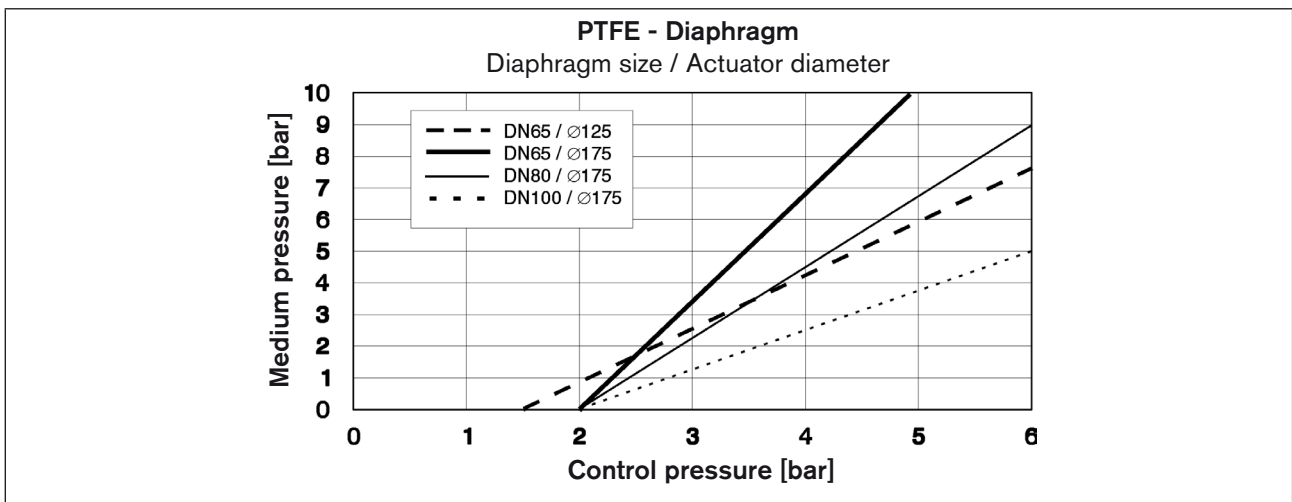


Figure 6: Control function I - PTFE Diaphragm

## 6.3. General Technical Data

### Materials

#### Housing

Type 2030	PP, PVC, PVDF
Type 2031	Stainless steel precision casting (VG), Forged steel (VS)
Type 2031 K	Stainless steel tubular housing (VA)
Type 2032, 2033, 2037	Stainless steel - block material

#### Actuator

PA

#### Sealing elements actuator

NBR

#### Diaphragm

EPDM, PTFE, FKM

### Connections

#### Control air connection

G1/4

#### Medium connection

Welded connection: in accordance with DIN EN 1127 (ISO 4200), DIN 11850 R2  
other connections on request

### Media

#### Control medium

neutral gases, air

#### Flow media

Type 2030; contaminated and aggressive media  
Type 2031, 2032, 2033 and 2037; contaminated, aggressive, ultra-pure, sterile  
media and media with higher viscosity

### Installation position

any position, preferably with the actuator face up,  
Floor drain valve Type 2033: Actuator to the bottom



## 7. STRUCTURE AND FUNCTION

### 7.1. Structure

#### 7.1.1. 2/2-way valve type 2030, 2031 and 2031 K

The piston-controlled diaphragm valve consists of a pneumatically actuated piston actuator and a 2/2-way valve housing.

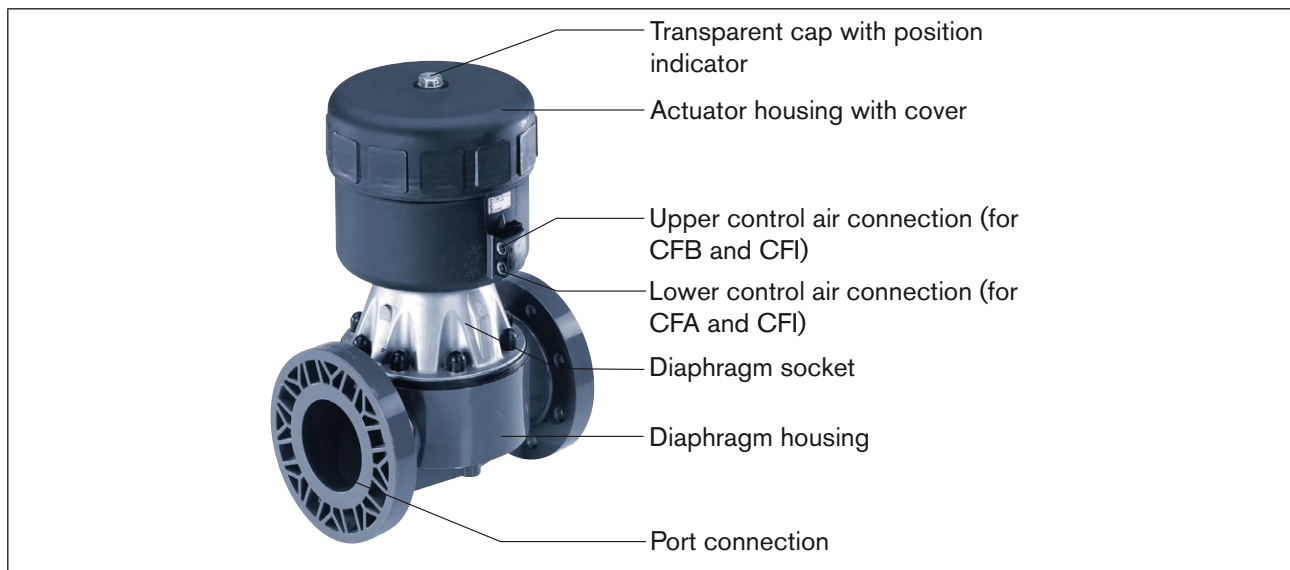


Figure 7: Structure and description type 2030

#### 7.1.2. T-valve Type 2032

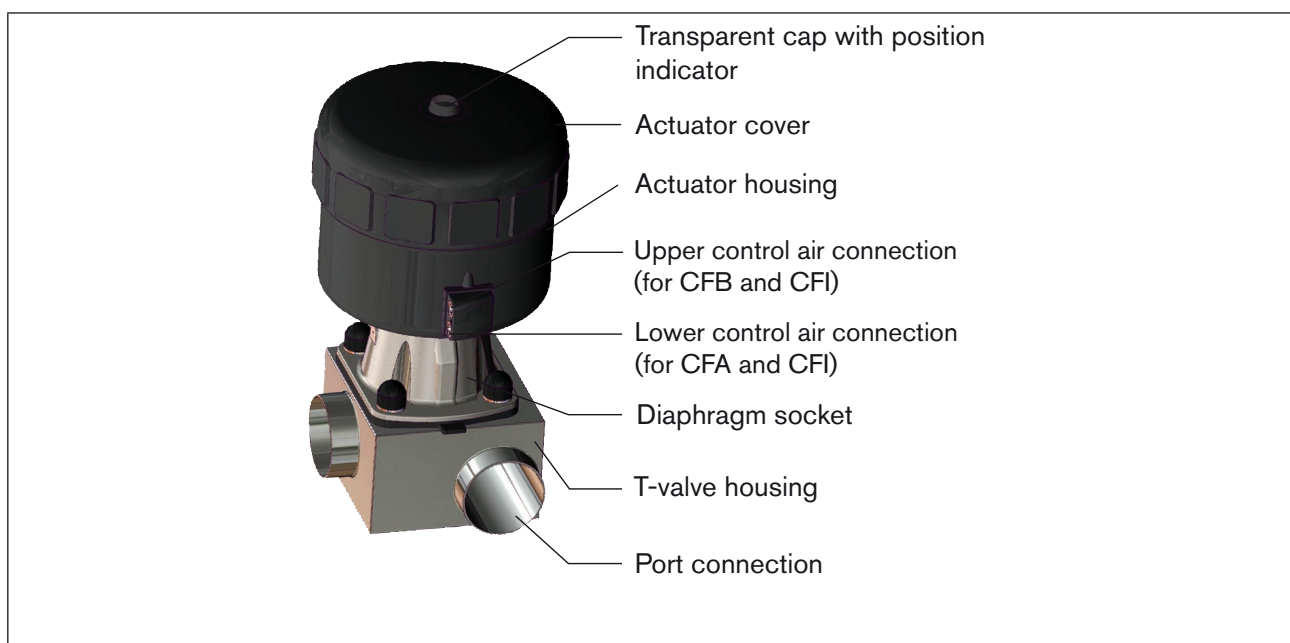


Figure 8: Structure and descriptions type 2032

### 7.1.3. Tank bottom valve type 2033

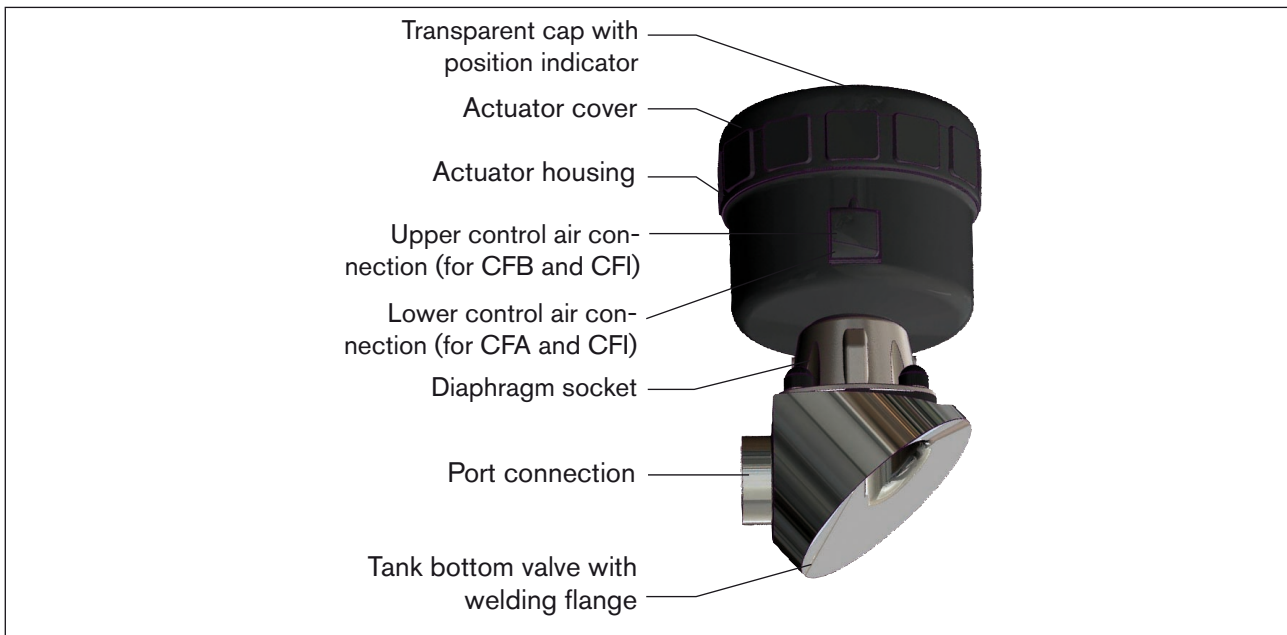


Figure 9: Structure and description type 2033

### 7.1.4. Y-valve type 2037

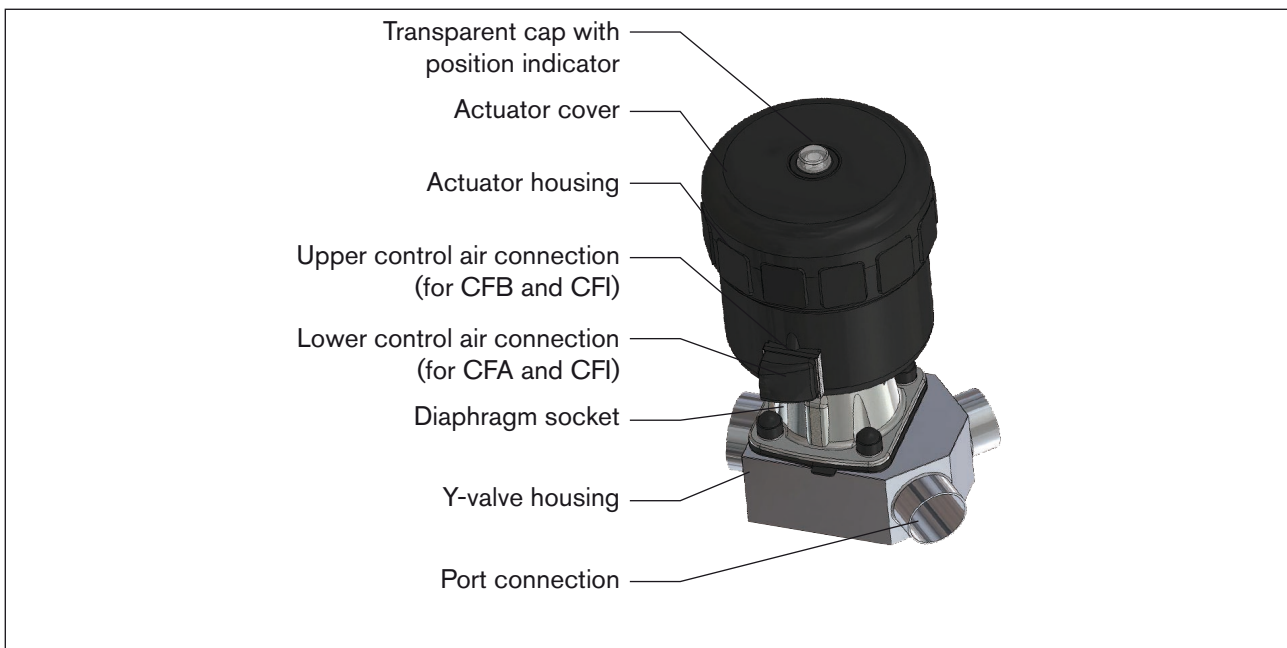


Figure 10: Structure and description type 2037

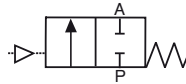
## 7.2. Function

Spring force (CFA) or pneumatic control pressure (CFB and CFI) generates the closing force on the diaphragm pressure piece. The force is transferred via a spindle which is connected to the actuator piston and the valve is opened and closed.

### 7.2.1. Control functions

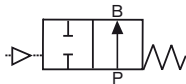
#### Control function A (CFA)

Closed by spring force in rest position



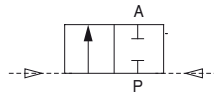
#### Control function B (CFB)

Opened by spring force in rest position



#### Control function I (CFI)

Double-acting actuator without spring



## 8. INSTALLATION

### 8.1. Safety instructions



#### **DANGER!**

##### **Risk of injury from high pressure in the equipment!**

- Before loosening the lines and valves, turn off the pressure and vent the lines.

##### **Risk of injury due to electrical shock!**

- Before reaching into the device or the equipment, switch off the power supply and secure to prevent reactivation!
- Observe applicable accident prevention and safety regulations for electrical equipment!



#### **WARNING!**

##### **Risk of injury from improper installation!**

- Installation may be carried out by authorized technicians only and with the appropriate tools!

##### **Risk of injury from unintentional activation of the system and an uncontrolled restart!**

- Secure system from unintentional activation.
- Following assembly, ensure a controlled restart.

### 8.2. Before installation

- Before connecting the valve, ensure the pipelines are flush.
- The flow direction is optional.

#### 8.2.1. Installation position 2/2-way valve

- The piston-controlled diaphragm valve can be installed in any installation position, preferably with the actuator face up.

##### **Installation for self-drainage of the housing**



It is the responsibility of the installer and operator to ensure self-drainage.

To ensure self-drainage:

- Install housing inclined by angle  $\alpha = 10^\circ$  bis  $40^\circ$  to the horizontal (see *Figure 11: Installation position for self-drainage of the housing*).
- Observe an inclination angle of  $3^\circ - 5^\circ$ . Forged and cast housings feature a mark which must face upwards (12 o'clock position).
- The bore (in the actuator base) for monitoring leaks must be at the lowest point.

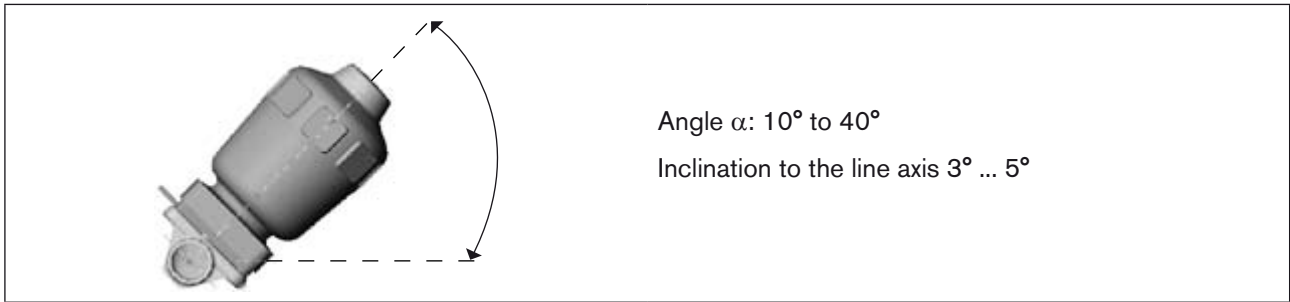


Figure 11: Installation position for self-drainage of the housing

### 8.2.2. Installation position of T-valve Type 2032

For the installation of the T-valves into circular pipelines, we recommend the following installation positions:

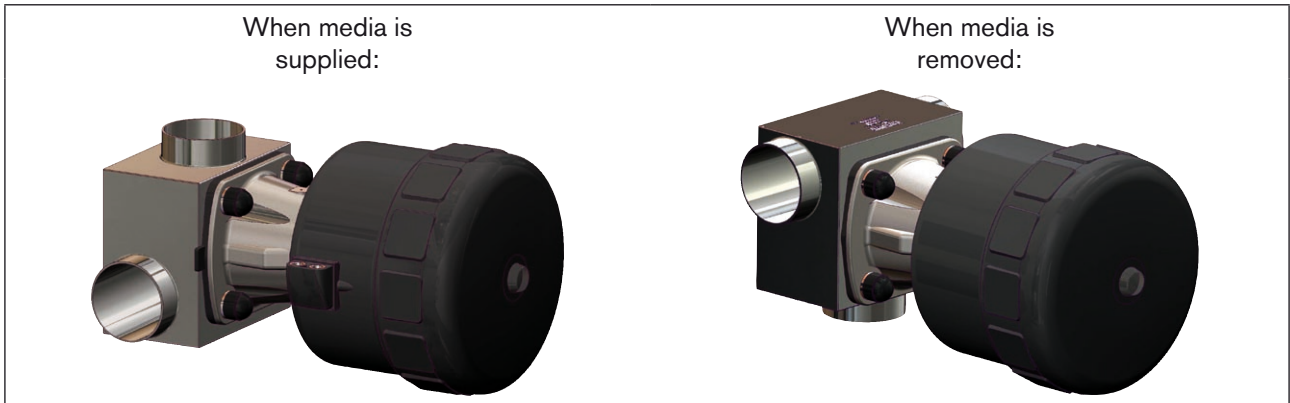


Figure 12: Installation position of type 2032

### 8.2.3. Installation position of Y-valve Type 2037

For the installation of the Y-valves into systems, we recommend the following installation positions:

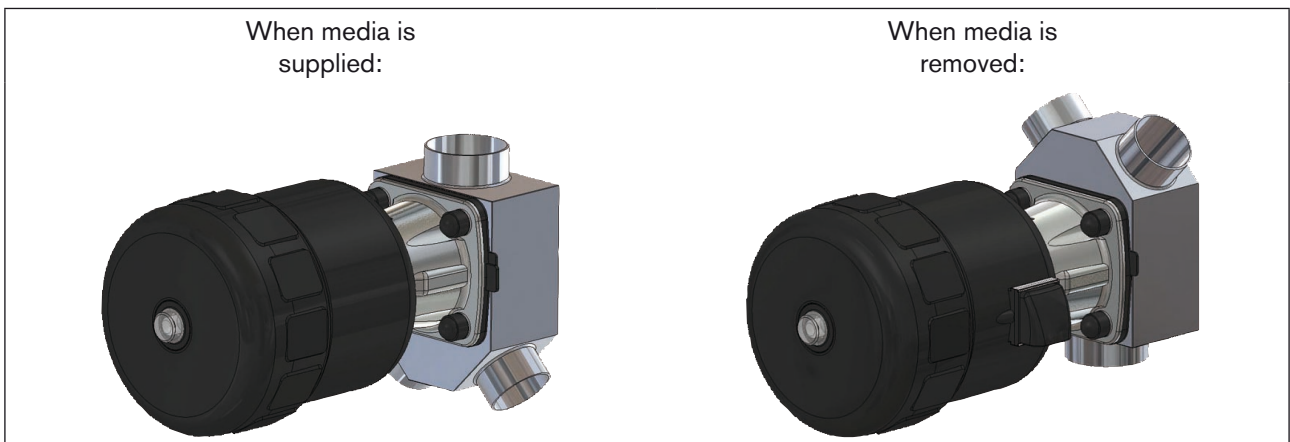


Figure 13: Installation position of type 2037

## 8.2.4. Installation of the floor drain valve Type 2033



For further information on containers and welding instructions, please refer to the standard ASME VIII Division I.



It is recommended to weld the valve prior to the container installation. However, it is possible to weld the valves to ready-assembled containers.

### Prior to welding, please check to ensure that:

- The floor drain valve does not collide with other equipment components and assembly/disassembly of the actuator is always possible.
- A minimal distance between two welding joints three times the thickness of the container wall is adhered to.



It is recommended to weld the valve in the center of the drain to ensure optimum draining of the container.

The diameter of the hole in the container and the flange must be equal. The valve has two welding edges to make welding and positioning of the valve easier. The length of the welding edges is approximately 3 mm. In case the thickness of the container wall exceeds 3 mm, the valve must be positioned as shown in *Figure 14*:

→ Prior to welding the valve, grind the outlet wall.

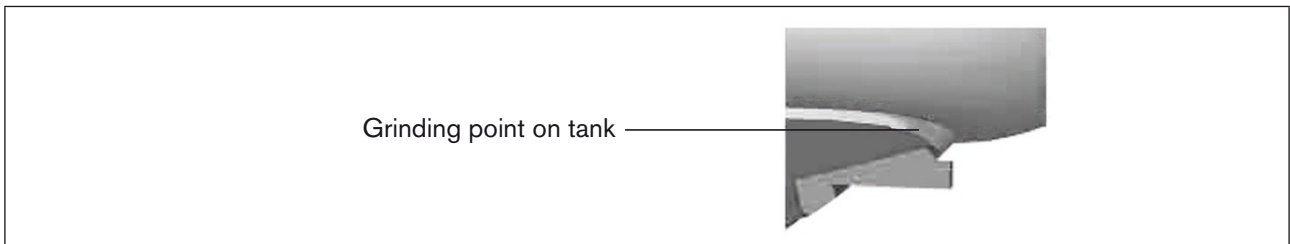


Figure 14: Grinding point on tank



Prior to commencing the welding process, check the charge number indicated on the supplied manufacturer's certificate 3.1.B.

### Procedure:

- Position the flange into the hole so that the flange surface is tangent to the drain surface.
- Tack 4 welding points and check the position of the valve.
- Weld the valve evenly to the inside and outside of the container, with gas being supplied and using welding material compatible with the valve's stainless steel 316L (DIN 1.4435).
- Allow the welds to cool down before burnishing and cleaning them according to the applicable specifications.

These instructions assist in the installation of the floor drain valves and allow the prevention of deformation and softening within the containers.



Please observe the applicable laws and regulations of the respective country with regard to the qualification of welders and the execution of welding work.

### 8.2.5. Preparatory Work

- Clean pipelines (sealing material, swarf, etc.).
- Support and align pipelines.

#### Devices with welded housing:



Before welding the housing, the actuator and the diaphragm must be removed.

## 8.3. Installation



If used in an aggressive environment, we recommend conveying all free pneumatic connections into a neutral atmosphere with the aid of a pneumatic hose.



### **WARNING!**

#### **Risk of injury from improper installation!**

Non-observance of the tightening torque is dangerous as the device may be damaged.

- Observe tightening torque during installation (see *Table 7: Tightening torques for diaphragms*).

### 8.3.1. Devices with welded housing

#### **NOTE!**



#### **To prevent damage!**

Before welding the housing (only device with welded housing), the actuator and the diaphragm must be removed.

#### Remove actuator and diaphragm from the housing:

##### **Procedure for control function A**

- Pressurize lower control air connection with compressed air (value as indicated on the rating plate) (see *Figure 15: Control air connection*).
- This is required to detach the diaphragm without damage from the housing.
- Loosen fastening screws crosswise and remove actuator together with diaphragm from the housing.
- Weld housing into the pipeline.

##### **Procedure for control functions B and I**

- Loosen fastening screws crosswise and remove actuator together with diaphragm from the housing.
- Weld housing into the pipeline.

#### Mount actuator and diaphragm on the housing:

- After welding in the housing, smooth the housing surface by grinding if required.
- Carefully clean the housing.

**Procedure for control function A**

- Pressurize lower control air connection with compressed air (value as indicated on the rating plate) (see *Figure 15: Control air connection*).
- Place actuator on the housing.
- Lightly cross-tighten the housing screws until the diaphragm is between the housing and actuator.  
**Do not tighten the screws yet.**
- Actuate the diaphragm valve twice to position the diaphragm correctly.
- Without applying pressure, tighten the housing screws to the permitted tightening torque (see *Table 7: Tightening torques for diaphragms*).
- Pressurize lower control air connection with compressed air (value as indicated on the rating plate).
- Check the tightening torque of the screws again.

**Procedure for actuator with control functions B and I:**

- Place actuator on the housing.
- Lightly cross-tighten the housing screws without pressurization until the diaphragm is between the housing and actuator.  
**Do not tighten the screws yet.**
- Pressurize upper control air connection with compressed air (value as indicated on the rating plate) (see picture below *Figure 15: Control air connection*).
- Actuate the diaphragm valve twice.
- Tighten the housing screws to the permitted tightening torque (see *Table 7: Tightening torques for diaphragms*)

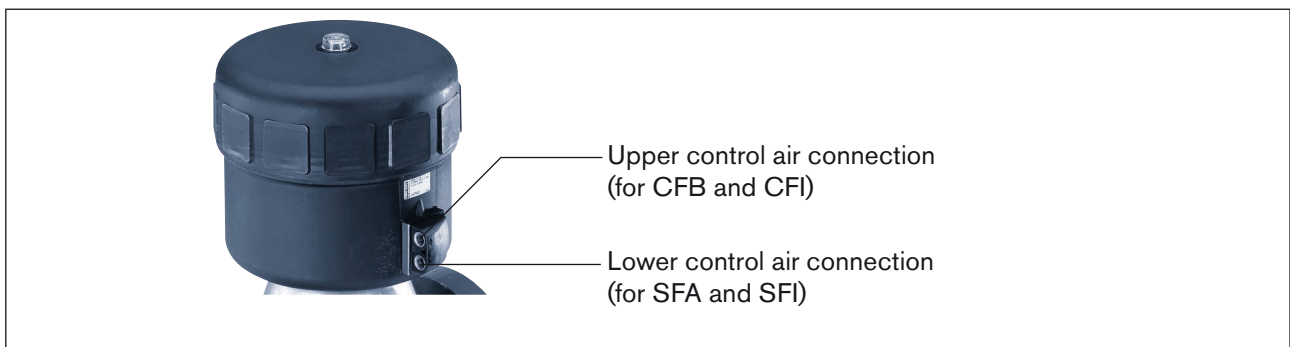


Figure 15: Control air connection

**Tightening torques for plastic housing, VA tubular housing (VA) and forged housing**

DN	Tightening torque [Nm] (values for guidance)	
	Elastomer - Diaphragm	PTFE - Diaphragm
65	20	30
80	30	40
100	40	50

Table 7: Tightening torques for diaphragms

MAN 1000010234 ML Version: J printed: 18.11.2010 Status: RL (released | freigegeben)



### Stainless Steel Insert (only for units without diaphragm and casing)

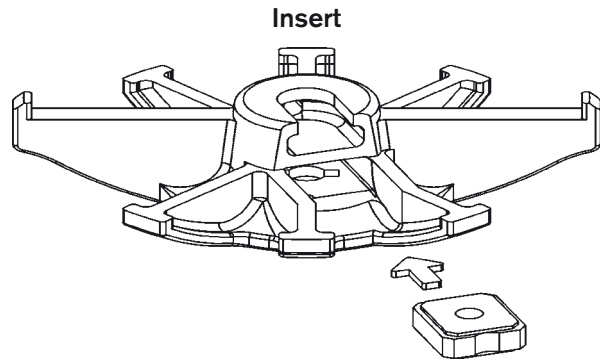
If you have ordered and received a unit without diaphragm and casing, a stainless steel insert (Id.-Nr. 648 864) will have been included with it.

#### Use of an EPDM / FKM diaphragm:

→ When assembling a unit with an elastomer diaphragm (EPDM/FKM), lay the stainless steel insert into the groove in the pressure component.

#### Use of a PTFE - Diaphragm:

→ When using a PTFE diaphragm, the insert is not required.



## 8.3.2. Connection of the control medium

### Control function A:

→ Connect control medium to lower connection.

### Control function B:

→ Connect control medium to upper connection.

### Control function I:

→ Connect control medium to upper and lower connections.  
(see Figure 16: Pneumatic connection)

→ Pressure on the upper connection closes the valve.

→ Pressure on the lower connection opens the valve.

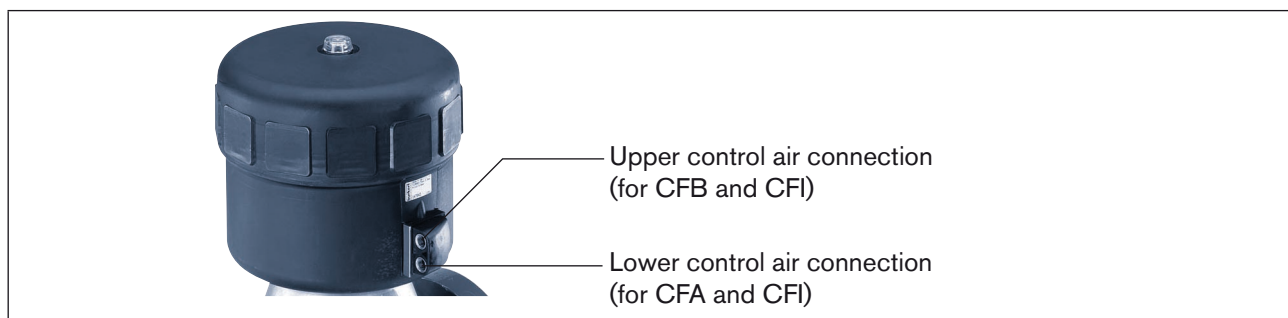


Figure 16: Pneumatic connection

### Control air hose:

Control air hoses of sizes 6/4 mm or 1/4" can be used.

## 8.4. Disassembly



### **DANGER!**

#### **Risk of injury from discharge of medium (acid, alkali, hot media)!**

It is dangerous to remove the device under pressure due to the sudden release of pressure or discharge of medium.

- Before removing a device, switch off the pressure and vent the lines.
- Completely drain the lines.



Replacement of the diaphragm is described in the chapter entitled *11.Repairs*.

## 9. ELECTRICAL CONNECTION



The electrical connection is described in the respective operating instructions for the pilot valve.



Note the voltage and current type as specified on the rating plate (Voltage tolerance  $\pm 10\%$ )!

## 10. MAINTENANCE, CLEANING

### 10.1. Safety instructions



#### **DANGER!**

##### **Risk of injury from high pressure in the equipment!**

- Before loosening the lines and valves, turn off the pressure and vent the lines.

##### **Risk of injury due to electrical shock!**

- Before reaching into the system, switch off the power supply and secure to prevent reactivation!
- Observe applicable accident prevention and safety regulations for electrical equipment!



#### **WARNING!**

##### **Risk of injury from improper maintenance!**

- Installation may be carried out by authorized technicians only and with the appropriate tools!

##### **Risk of injury from unintentional activation of the system and an uncontrolled restart!**

- Secure system from unintentional activation.
- Following maintenance, ensure a controlled restart.

### 10.2. Maintenance Work

#### 10.2.1. Actuator

The actuator of the diaphragm valve is maintenance-free provided it is used according to these operating instructions.

#### 10.2.2. Wearing parts of the Diaphragm Valve

Parts which are subject to natural wear:

- Seals
- Diaphragm

→ If leaks occur, replace the particular wearing parts with an appropriate spare part.  
(see Chapter 13. *Spare Parts*).



A bulging PTFE diaphragm may reduce the flow-rate.

### 10.2.3. Inspection Intervals

→ Check diaphragm for wear after maximum  $10^5$  switching cycles.



Muddy and abrasive media require correspondingly shorter inspection intervals!

### 10.2.4. Service life of the diaphragm

The service life of the diaphragm depends on the following factors:

- Diaphragm material,
- Medium,
- Medium pressure,
- Medium temperature,
- Actuator size,
- Control pressure for CFB and CFI.

#### Protecting the diaphragm

→ For CFA match the actuator size (actuator force) to the medium pressure to be actuated. If required, select the actuator with reduced spring force EC04.

→ For CFB and CFI try and select the control pressure not higher than is required to actuate the medium pressure.

### 10.2.5. Cleaning

Commercially available cleaning agents can be used to clean the outside.

#### NOTE!

**Avoid causing damage with cleaning agents.**

- Before cleaning, check that the cleaning agents are compatible with the housing materials and seals.

# 11. REPAIRS

## 11.1. Safety instructions

### **DANGER!**

#### **Risk of injury from high pressure in the equipment!**

- Before loosening the lines and valves, turn off the pressure and vent the lines.

#### **Risk of injury due to electrical shock!**

- Before reaching into the system, switch off the power supply and secure to prevent reactivation!
- Observe applicable accident prevention and safety regulations for electrical equipment!

### **WARNING!**

#### **Risk of injury from improper maintenance!**

- Installation may be carried out by authorized technicians only and with the appropriate tools.
- Observe the tightening torques.
- On completion of the work check valve for leaks and function.

#### **Risk of injury from unintentional activation of the system and an uncontrolled restart!**

- Secure system from unintentional activation.
- Following maintenance, ensure a controlled restart.

## 11.2. Replacing the diaphragm

### **DANGER!**

#### **Risk of injury from discharge of medium (acid, alkali, hot media)!**

It is dangerous to remove the device under pressure due to the sudden release of pressure or discharge of medium.

- Before removing a device, switch off the pressure and vent the lines.
- Completely drain the lines.
- Disassembly and installation see 8.3.1..

#### **Required spare part**

- Diaphragm

#### **Fastening types**

DN	Fastening types for diaphragms	
	PTFE	EPDM / FKM
65	Diaphragm with bayonet catch	Diaphragm screwed in
80		
100		

Table 8: Fastening types for diaphragms

Example:

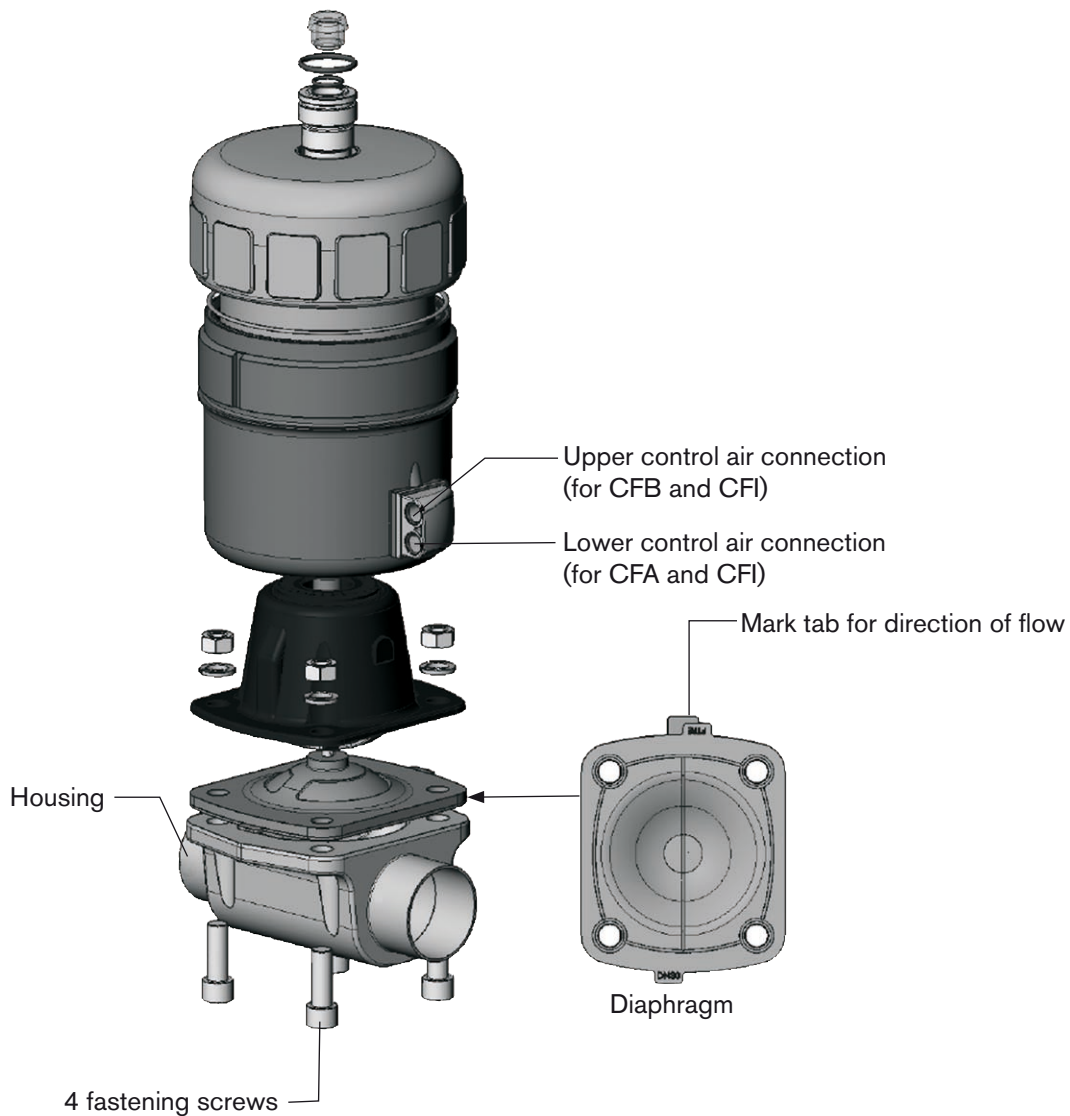


Figure 17: Replacement of diaphragm

### Replacement of the diaphragm for control function A

- Clamp the valve housing in a holding device.  
(applies only to valves not yet installed).
- Pressurize lower control air connection with compressed air (value as indicated on the rating plate) (see picture below *Figure 18:Control air connection*).  
This is required to detach the diaphragm without damage from the housing.
- Loosen fastening screws crosswise and remove actuator together with diaphragm from the housing.
- Unbutton or unscrew the old diaphragm. If attachment is with a bayonet catch, remove the diaphragm by rotating it through 90° (see *Table 8:Fastening types for diaphragms*).
- Install new diaphragm in actuator (see *Table 8:Fastening types for diaphragms*).

- Align diaphragm.  
**Observe mark tab for direction of flow!**
- Place actuator back on the housing.
- Lightly cross-tighten the housing screws until the diaphragm is between the housing and actuator.  
**Do not tighten the screws yet.**
- Actuate the diaphragm valve twice to position the diaphragm correctly.
- Without applying pressure, tighten the housing screws to the permitted tightening torque (see *Table 7: Tightening torques for diaphragms*).
- Pressurize lower control air connection with compressed air (value as indicated on the rating plate).
- Check the tightening torque of the screws again.

#### Replacement of the diaphragm for control functions B and I

- Clamp the valve housing in a holding device.  
(applies only to valves not yet installed).
- Loosen the fastening screws crosswise and remove actuator together with diaphragm from the housing.
- Unbutton or unscrew old diaphragm. If attachment is with a bayonet catch, remove the diaphragm by rotating it through 90° (see *Table 8: Fastening types for diaphragms*).
- Install new diaphragm in actuator (see *Table 8: Fastening types for diaphragms*).
- Align diaphragm.  
**Observe mark tab for direction of flow!**
- Place actuator back on the housing.
- Lightly cross-tighten the housing screws without pressurization until the diaphragm is between the housing and actuator.  
**Do not tighten the screws yet.**
- Pressurize upper control air connection with compressed air (value as indicated on the rating plate) (see *Figure 15: Control air connection*).
- Actuate the diaphragm valve twice.
- Tighten the housing screws to the permitted tightening torque (see *Table 7: Tightening torques for diaphragms*).

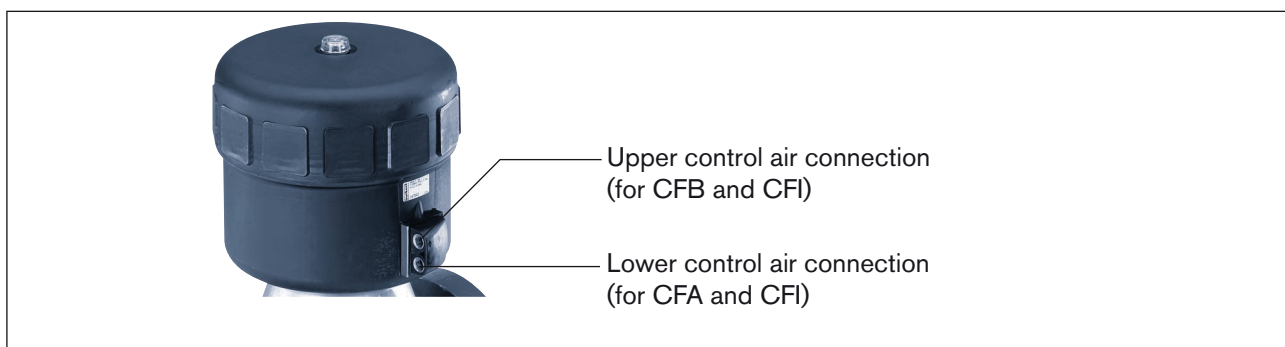


Figure 18: Control air connection



## 12. MALFUNCTIONS

Malfunctions	Cause / Remedial action
Actuator does not switch	Control connection interchanged* CFA: → Connect lower control connection CFB: → Connect upper control connection CFI → Upper control connection: Close Lower control connection: Open <i>* see Figure 16: Pneumatic connection</i>
	Control pressure too low → See pressure specifications on the rating plate.
	Medium pressure too high → See pressure specifications on the rating plate.
Valve is not sealed	Medium pressure too high → See pressure specifications on the rating plate.
	Control pressure too low → See pressure specifications on the rating plate.
Flow rate reduced	PTFE diaphragm bulging → Replace diaphragm.

## 13. SPARE PARTS



### WARNING!

#### Risk of injury when opening the actuator housing!

The actuator contains a tensioned spring. If the housing is opened, there is a risk of injury from the spring jumping out!

- Carefully open the actuator housing and hold it in such a way that any parts which jump out cannot injure anyone or damage anything.



### CAUTION!

#### Risk of injury and/or damage by the use of incorrect parts!

Incorrect accessories and unsuitable spare parts may cause injuries and damage the device and the surrounding area.

- Use only original accessories and original spare parts from Bürkert.

Types 2030, 2031, 2031 K, 2032, 2033 and 2037 are available as spare parts for the piston-controlled diaphragm valves.

- Seal set for actuator
- Diaphragm

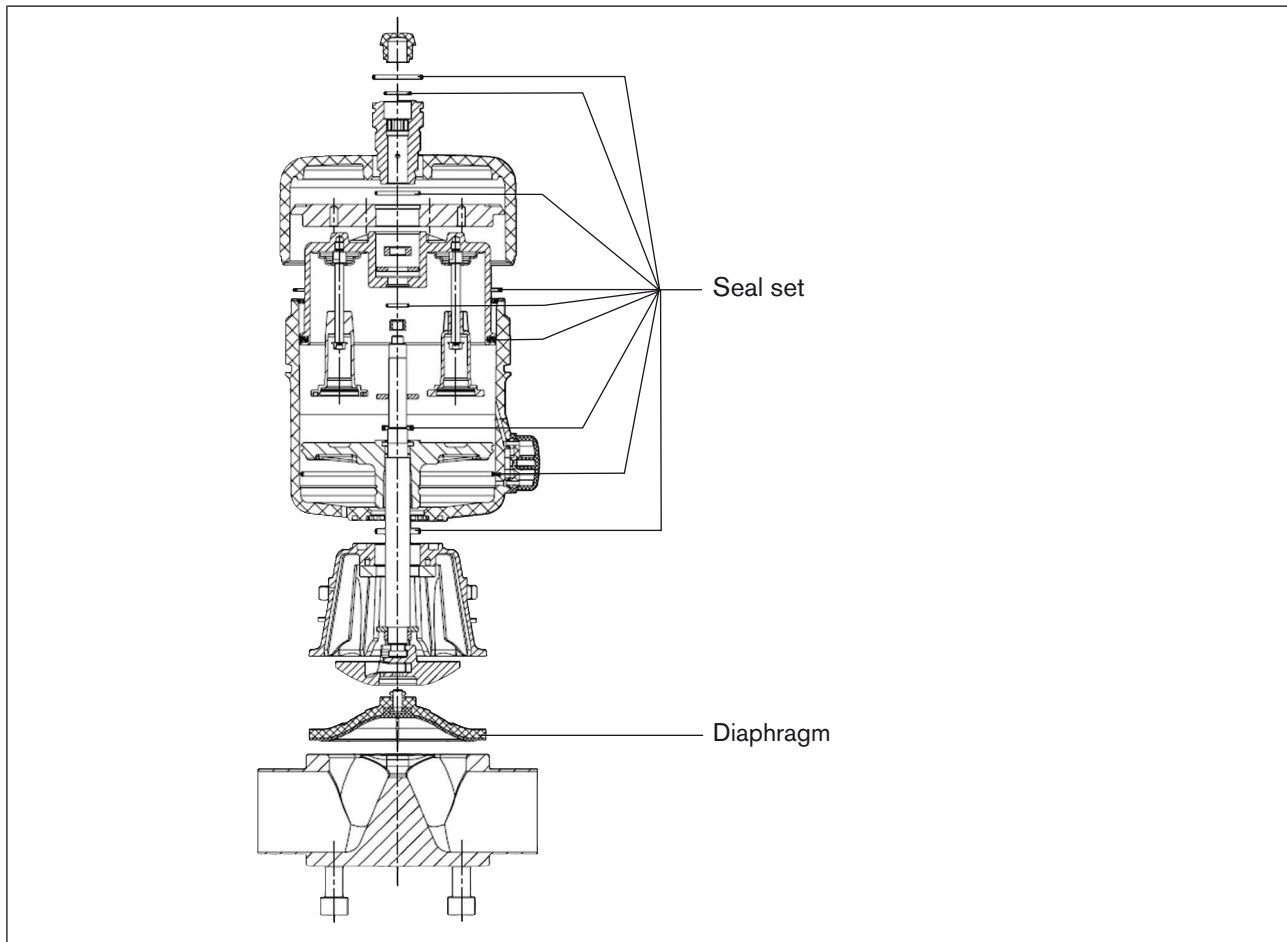


Figure 19: Spare parts

## 13.1. Order table

Actuator	DN [mm]	Order numbers for seal sets
175	65, 80, 100	181 802
225	80, 100	186 775

Table 9: Order numbers for seal sets

DN	Order numbers for diaphragms		
	EPDM	FKM	PTFE
65	677 671	677 691	677 681
80	650 082	650 083	650 087
100	650 084	650 085	650 088

Table 10: Order numbers for diaphragms

The data sheet and further information for the type can be found on the Internet at:



[www.burkert.com](http://www.burkert.com) → Documentation → Type 2030, 2031, 2031 K, 2032, 2033, 2037

If you have any queries, please contact your Bürkert sales office.

## 14. PACKAGING AND TRANSPORT

### NOTE!

#### Transport damages!

Inadequately protected equipment may be damaged during transport.

- During transportation protect the device against wet and dirt in shock-resistant packaging.
- Avoid exceeding or dropping below the allowable storage temperature.
- Protect the electrical interfaces of the coil and the pneumatic connections from damage by placing protective caps on them.

## 15. STORAGE

### NOTE!

#### Incorrect storage may damage the device.

- For prolonged storage, slacken the housing screws to prevent the diaphragm from becoming distorted.
- Identify slackened screws for reasons of safety!
- Store the device in a dry and dust-free location!
- Storage temperature. -40 ... +55 °C.



### **DANGER!**

**Risk of injury during re-installation. Risk of injury from discharge of medium through slackened housing screws (acid, alkali, hot media)!**

Before re-installing the valves, ensure that the housing screws have been tightened correctly.

- Before re-installation, check the tightening torque of the housing screws.

## 16. DISPOSAL

→ Dispose of the device and packaging in an environmentally friendly manner.

### NOTE!

**Damage to the environment caused by device components contaminated with media.**

- Observe applicable regulations on disposal and the environment.
- Observe the national waste disposal regulations.

## Kolbengesteuerte Membranventile Typ 2030, 2031, 2031 K, 2032, 2033, 2037

### INHALT

<b>1.</b>	<b>DIE BEDIENUNGSANLEITUNG.....</b>	<b>39</b>
1.1.	Darstellungsmittel .....	39
<b>2.</b>	<b>BESTIMMUNGSGEMÄSSE VERWENDUNG.....</b>	<b>40</b>
2.1.	Beschränkungen .....	40
2.2.	Vorhersehbarer Fehlgebrauch.....	40
<b>3.</b>	<b>GRUNDLEGENDE SICHERHEITSHINWEISE .....</b>	<b>41</b>
<b>4.</b>	<b>ALLGEMEINE HINWEISE .....</b>	<b>42</b>
4.1.	Lieferumfang .....	42
4.2.	Kontaktadressen .....	42
4.3.	Gewährleistung .....	42
4.4.	Zulassungen .....	42
4.5.	Informationen im Internet.....	42
<b>5.</b>	<b>SYSTEMBESCHREIBUNG.....</b>	<b>43</b>
5.1.	Allgemeine Beschreibung.....	43
5.2.	Vorgesehener Einsatzbereich.....	43
<b>6.</b>	<b>TECHNISCHE DATEN.....</b>	<b>44</b>
6.1.	Typenschild .....	44
6.2.	Betriebsbedingungen .....	45
6.3.	Allgemeine Technische Daten .....	49
<b>7.</b>	<b>AUFBAU UND FUNKTION.....</b>	<b>50</b>
7.1.	Aufbau.....	50
7.2.	Funktion .....	52
<b>8.</b>	<b>MONTAGE.....</b>	<b>53</b>
8.1.	Sicherheitshinweise .....	53
8.2.	Vor dem Einbau .....	53
8.3.	Einbau .....	56

8.4.	Demontage.....	59
9.	ELEKTRISCHER ANSCHLUSS.....	60
10.	WARTUNG, REINIGUNG .....	61
10.1.	Sicherheitshinweise.....	61
10.2.	Wartungsarbeiten.....	61
11.	INSTANDHALTUNG.....	63
11.1.	Sicherheitshinweise.....	63
11.2.	Austausch der Membran.....	63
12.	STÖRUNGEN .....	66
13.	ERSATZTEILE.....	67
13.1.	Bestelltabelle .....	68
14.	VERPACKUNG, TRANSPORT .....	69
16.	ENTSORGUNG.....	70

# 1. DIE BETRIEBSANLEITUNG

Die Bedienungsanleitung beschreibt den gesamten Lebenszyklus des Gerätes. Bewahren Sie diese Anleitung so auf, dass sie für jeden Benutzer gut zugänglich ist und jedem neuen Eigentümer des Gerätes wieder zur Verfügung steht.



## **WARNUNG!**

**Die Bedienungsanleitung enthält wichtige Informationen zur Sicherheit!**

Das Nichtbeachten dieser Hinweise kann zu gefährlichen Situationen führen.

- Die Bedienungsanleitung muss gelesen und verstanden werden.

## 1.1. Darstellungsmittel



### **GEFAHR!**

**Warnt vor einer unmittelbaren Gefahr!**

- Bei Nichtbeachtung sind Tod oder schwere Verletzungen die Folge.



### **WARNUNG!**

**Warnt vor einer möglicherweise gefährlichen Situation!**

- Bei Nichtbeachtung drohen schwere Verletzungen oder Tod.



### **VORSICHT!**

**Warnt vor einer möglichen Gefährdung!**

- Nichtbeachtung kann mittelschwere oder leichte Verletzungen zur Folge haben.

### **HINWEIS!**

**Warnt vor Sachschäden!**

- Bei Nichtbeachtung kann das Gerät oder die Anlage beschädigt werden.



Bezeichnet wichtige Zusatzinformationen, Tipps und Empfehlungen.



Verweist auf Informationen in dieser Bedienungsanleitung oder in anderen Dokumentationen.

→ markiert einen Arbeitsschritt, den Sie ausführen müssen.



## 2. BESTIMMUNGSGEMÄSSE VERWENDUNG

**Bei nicht bestimmungsgemäßem Einsatz der Geräte können Gefahren für Personen, Anlagen in der Umgebung und die Umwelt entstehen.**

- Die kolbengesteuerten Membranventile des Typs 2030, 2031, 2031 K, 2032, 2033 und 2037 sind für die Steuerung von verschmutzten, hochreinen oder sterilen Medien, sowie für abrasive oder aggressive Medien (auch mit höherer Viskosität) konzipiert.  
Die Geräte dürfen nur für Medien eingesetzt werden, welche die Gehäuse und Dichtwerkstoffe (siehe Typenschild) nicht angreifen. Informationen zur Medienbeständigkeit der Werkstoffe erhalten Sie bei Ihrer Bürkert-Vertriebsniederlassung.
- Für den Einsatz die in den Vertragsdokumenten und der Bedienungsanleitung spezifizierten zulässigen Daten, Betriebs- und Einsatzbedingungen beachten. Diese sind im Kapitel 6. *Technische Daten* beschrieben.
- Das Gerät nur in Verbindung mit von Bürkert empfohlenen bzw. zugelassenen Fremdgeräten und -Komponenten einsetzen.
- Voraussetzungen für den sicheren und einwandfreien Betrieb sind sachgemäßer Transport, sachgemäße Lagerung und Installation sowie sorgfältige Bedienung und Instandhaltung.
- Setzen Sie das Gerät nur bestimmungsgemäß ein.

### 2.1. Beschränkungen

Beachten Sie bei der Ausfuhr des Systems/Gerätes gegebenenfalls bestehende Beschränkungen.

#### 2.1.1. Ex- Zulassungen

Die EX-Zulassung ist nur gültig, wenn Sie die von Bürkert zugelassenen Module und Komponenten so verwenden, wie es in dieser Bedienungsanleitung beschrieben ist.

Die Elektronikmodule dürfen Sie nur in Kombination mit den von Bürkert freigegebenen Pneumatikventiltypen einsetzen, andernfalls erlischt die Ex-Zulassung!

Nehmen Sie unzulässige Veränderungen am System, den Modulen oder Komponenten vor, erlischt die Ex-Zulassung ebenfalls.

### 2.2. Vorhersehbarer Fehlgebrauch

- Speisen Sie in die Medienanschlüsse des Systems nur Medien ein, welche die Gehäuse- oder Dichtwerkstoffe nicht angreifen.  
Die Bürkert-Beständigkeitstabelle der Werkstoffe finden Sie im Internet unter:  
[www.buerkert.de](http://www.buerkert.de) → Dokumentation → Kataloge & Broschüren → Beständigkeitstabelle.
- Belasten Sie das Gehäuse nicht mechanisch (z. B. durch Ablage von Gegenständen oder als Trittstufe).
- Nehmen Sie keine äußerlichen Veränderungen an den Gerätegehäusen vor. Gehäuseteile und Schrauben nicht lackieren.

### 3. GRUNDLEGENDE SICHERHEITSHINWEISE

Diese Sicherheitshinweise berücksichtigen keine:

- Zufälligkeiten und Ereignisse, die bei Montage, Betrieb und Wartung der Geräte auftreten können,
- Ortsbezogenen Sicherheitsbestimmungen, für deren Einhaltung, auch in Bezug auf das Montagepersonal, der Betreiber verantwortlich ist.



#### **Gefahr durch hohen Druck!**

- Vor dem Lösen von Leitungen und Ventilen den Druck abschalten und Leitungen entlüften.

#### **Berstgefahr bei Überdruck!**

- Die Angaben auf dem Typenschild, für max. Steuer- und Mediumsdruck, einhalten.
- Zulässige Mediumstemperatur beachten.

#### **Gefahr durch elektrische Spannung!**

- Vor Eingriffen in das Gerät oder die Anlage, Spannung abschalten und vor Wiedereinschalten sichern!
- Die geltenden Unfallverhütungs- und Sicherheitsbestimmungen für elektrische Geräte beachten!

#### **Verbrennungsgefahr/Brandgefahr bei Dauerbetrieb durch heiße Geräteoberfläche!**

- Das Gerät von leicht brennbaren Stoffen und Medien fernhalten und nicht mit bloßen Händen berühren.

#### **Allgemeine Gefahrensituationen.**

Zum Schutz vor Verletzungen ist zu beachten:

- Dass die Anlage nicht unbeabsichtigt betätigt werden kann.
- Installations- und Instandhaltungsarbeiten dürfen nur von autorisiertem Fachpersonal mit geeignetem Werkzeug ausgeführt werden.
- Nach einer Unterbrechung der elektrischen oder pneumatischen Versorgung ist ein definierter oder kontrollierter Wiederanlauf des Prozesses zu gewährleisten.
- Das Gerät darf nur in einwandfreiem Zustand und unter Beachtung der Bedienungsanleitung betrieben werden.
- Für die Einsatzplanung und den Betrieb des Gerätes müssen die allgemeinen Regeln der Technik eingehalten werden.



Die Membranventile Typ 2030, 2031, 2031 K, 2032, 2033 und 2037 wurden unter Einbeziehung der anerkannten sicherheitstechnischen Regeln entwickelt und entsprechen dem Stand der Technik. Trotzdem können Gefahren entstehen.

Bei Nichtbeachtung dieser Bedienungsanleitung und ihrer Hinweise sowie bei unzulässigen Eingriffen in das Gerät entfällt jegliche Haftung unsererseits, ebenso erlischt die Gewährleistung auf Geräte und Zubehörteile!

## 4. ALLGEMEINE HINWEISE

### 4.1. Lieferumfang

Überzeugen Sie sich unmittelbar nach Erhalt der Sendung, dass der Inhalt nicht beschädigt ist und in Art und Umfang mit dem Lieferschein bzw. der Packliste übereinstimmt. Bei Unstimmigkeiten wenden Sie sich bitte umgehend an uns.

### 4.2. Kontaktadressen

#### Deutschland

Bürkert Fluid Control Systems  
Sales Center  
Chr.-Bürkert-Str. 13-17  
D-74653 Ingelfingen  
Tel. + 49 (0) 7940 - 10 91 111  
Fax + 49 (0) 7940 - 10 91 448  
E-mail: [info@de.buerkert.com](mailto:info@de.buerkert.com)

#### International

Die Kontaktadressen finden Sie auf den letzten Seiten der gedruckten Bedienungsanleitung. Außerdem im Internet unter:

[www.burkert.com](http://www.burkert.com) → Bürkert → Company → Locations

### 4.3. Gewährleistung

Diese Druckschrift enthält keine Garantiezusagen. Wir verweisen hierzu auf unsere allgemeinen Verkaufs- und Lieferbedingungen. Voraussetzung für die Gewährleistung ist der bestimmungsgemäße Gebrauch des Gerätes unter Beachtung der spezifizierten Einsatzbedingungen.



Die Gewährleistung erstreckt sich nur auf die Fehlerfreiheit des Membranventils Typ 2030, 2031, 2031 K, 2032, 2033, 2037 und seiner Bauteile.

Für Folgeschäden jeglicher Art, die durch Ausfall oder Fehlfunktion des Gerätes entstehen könnten, wird keine Haftung übernommen.

### 4.4. Zulassungen

Die auf den Bürkert Typenschildern aufgebrachte Zulassungskennzeichnung bezieht sich auf die Bürkert Produkte.

### 4.5. Informationen im Internet

Bedienungsanleitungen und Datenblätter zum Typ 2030, 2031, 2031 K, 2032, 2033 und 2037 finden Sie im Internet unter:

[www.buerkert.de](http://www.buerkert.de) → Dokumentation → Typ 2030, 2031, 2031 K, 2032, 2033, 2037

## 5. SYSTEMBESCHREIBUNG

### 5.1. Allgemeine Beschreibung

Der Typ 2030, 2031, 2031 K, 2032, 2033 und 2037 ist ein fremdgesteuertes Membranventil mit Kolbenantrieb und Membran-Abdichtung. Das Ventil ist bei entsprechender Einbaulage selbstentleerend.

### 5.2. Vorgesehener Einsatzbereich

Das Membranventil des Typs 2030, ist für die Steuerung von verschmutzten und aggressiven Medien konzipiert. Die Ventile des Typs 2031, 2031 K, 2032, 2033 und 2037 können auch für hochreine oder sterile Medien mit höherer Viskosität eingesetzt werden. Mit den Ventilen dürfen nur Medien gesteuert werden, die die Gehäuse und Dichtwerkstoffe (siehe Typenschild) nicht angreifen. Informationen zur Medienbeständigkeit der Werkstoffe erhalten Sie bei Ihrer Bürkert-Vertriebsniederlassung.

## 6. TECHNISCHE DATEN



### WARNUNG!

Verletzungsgefahr durch hohen Druck!

Wichtige gerätespezifische technische Angaben sind auf dem Typenschild angegeben.

- Zulässiger Druckbereich auf dem Typenschild des Gerätes beachten.

### 6.1. Typenschild

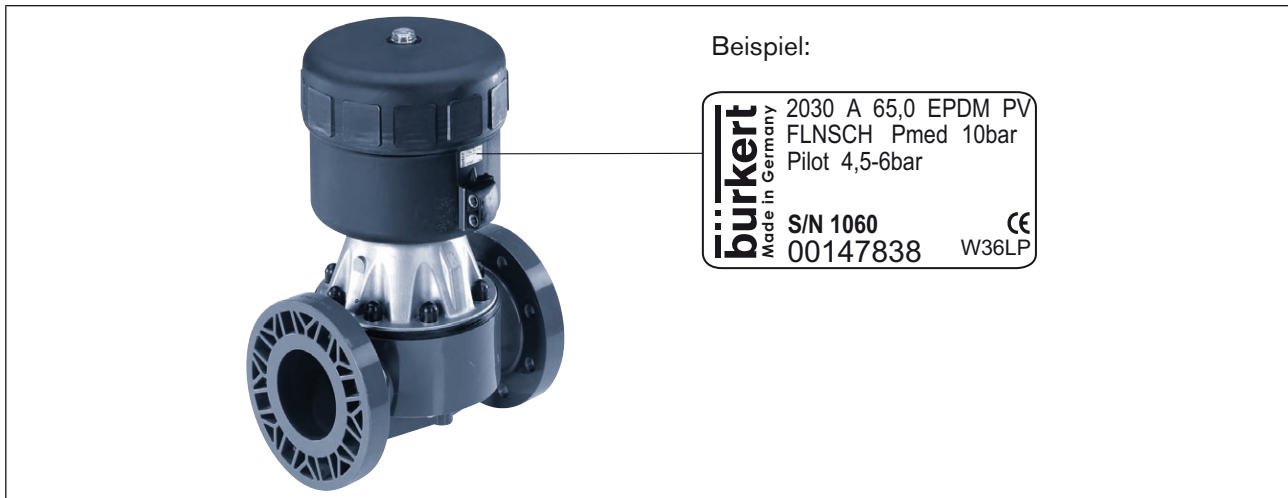
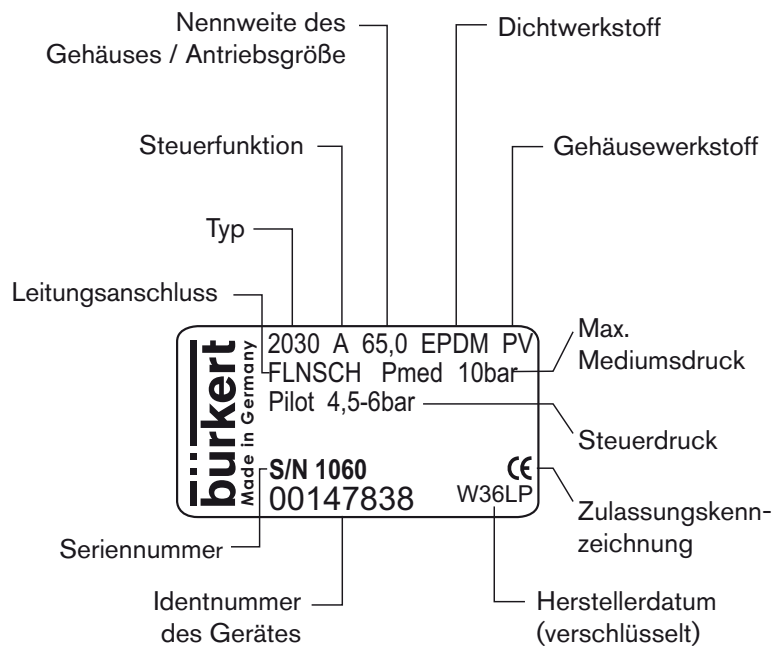


Bild 1: Typenschild - Beispiel

#### 6.1.1. Beschriftung des Typenschildes



## 6.2. Betriebsbedingungen



### WARNUNG!

#### Berstgefahr bei Überdruck!

Beim Bersten des Gerätes drohen schwere Verletzung, Verätzung, Verbrühung!

- Den maximalen Steuer- und Mediumsdruck nicht überschreiten. Angaben auf dem Typenschild beachten!
- Zulässige Umgebungs- und Medientemperatur einhalten.

### 6.2.1. Zulässige Temperaturen

Umgebungstemperatur für Antriebe:

Werkstoff	Größe $\varnothing$	Temperatur
PA	175 mm 225 mm	-10 ... +50 °C

Tabelle 1: Umgebungstemperatur für Antriebe

Mediumstemperatur für Gehäuse:

Gehäusewerkstoff	Temperatur
Edelstahl	-10 ... +140 °C
PVC (siehe PT-Diagramm)	-10 ... +60 °C
PVDF (siehe PT-Diagramm)	-10 ... +120 °C
PP (siehe PT-Diagramm)	-10 ... +80 °C

Tabelle 2: Mediumstemperatur für Gehäuse

Mediumstemperatur für Membranen:

Werkstoff	Temperatur	Bemerkungen
EPDM	-10 ... +130 °C	Dampfsterilisation bis +150 °C
PTFE		
FKM	-5 ... +130 °C	Trocken bis +150 °C Sonst nur kurz bis +150 °C

Tabelle 3: Mediumstemperatur für Membranen

### 6.2.2. Maximal zulässiger Mediumsdruck

Zulässiger Mediumsdruck in Abhängigkeit von der Mediumstemperatur.

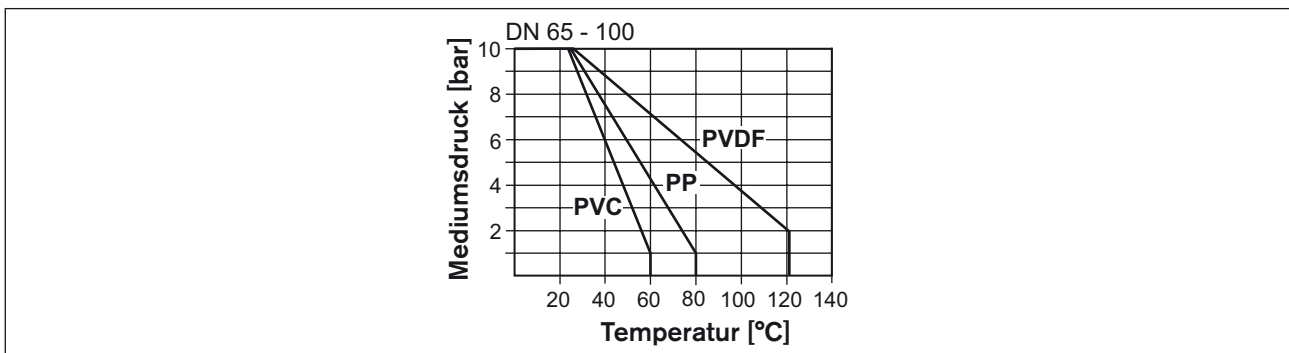


Bild 2: Diagramm Mediumsdruck / Mediumstemperatur

### Maximal zulässiger Mediumsdruck bei Steuerfunktion A

Die Werte sind gültig für Gehäuse aus:

- Kunststoff,
- VA-Schmiedestahl, VA-Feinguss und VA-Blockmaterial sowie VA Rohrumformgehäuse mit Muffe, DIN-Vorschweißflansch und Schweißanschluss nach EN ISO 1127 (ISO 4200)

Nennweite DN [mm]	Antriebsgröße $\varnothing$ [mm]	Max. dichtgehaltener Mediumsdruck [bar]			
		Druck einseitig anstehend		Druck beidseitig anstehend	
		EPDM/FKM	PTFE	EPDM/FKM	PTFE
65	175	10,0	8,5	5,0	4,5
80	175	5,0	4,5	2,5	2,0
	225	10,0	10,0	6,0	4,5
100	225	8,0	4,0	3,5	1,5

Tabelle 4: Maximal zulässiger Mediumsdruck SFA

### 6.2.3. Steuerdruck



#### WARNUNG!

##### Berstgefahr bei Überdruck!

Beim Bersten des Gerätes drohen schwere Verletzung, Verätzung, Verbrühung!

- Den maximalen Steuer- und Mediumsdruck nicht überschreiten. Angaben auf dem Typenschild beachten!

#### HINWEIS!

##### Fehlfunktion bei falschem Steuerdruck!

Für Ventile mit reduzierter Federkraft (d.h. mit geringerem Steuerdruck), gelten die Angaben auf dem Typenschild. Wenden Sie sich bei Unklarheiten an Ihre Bürkert-Vertriebsniederlassung.

#### Zulässiger Steuerdruck\*

Nennweite DN [mm]	Antriebsgröße $\varnothing$ mm	Min. Steuerdruck [bar]	Max. Steuerdruck [bar]
65	175	2	6
80	175	2	6
80	225	2	6
100	225	2	6

Tabelle 5: Zulässiger Steuerdruck



\* Den zulässigen Druckbereich laut Typenschild beachten!

### Druckwerte für Steuerfunktion A

Nennweite DN [mm]	Antriebsgröße [mm]	Steuerdruck [bar] bei Mediumsdruck	
		0 bar	maximal
65	175	6	4,5
80	175	6	5,0
80	225	6	5,0
100	225	6	5,0

Tabelle 6: Steuerdruck SFA

### 6.2.4. Mindeststeuerdruck

#### Erforderlicher Mindeststeuerdruck in Abhängigkeit vom Mediumsdruck

Die Werte sind gültig für Gehäuse aus:

- Kunststoff
- Alle Varianten mit VA-Schmiedestahl, VA-Feinguss und VA-Blockmaterial
- VA-Rohrumformgehäuse mit Muffen, DIN-Vorschweißflansch und mit Schweißenden nach EN ISO 1127 (ISO 4200)

#### Steuerfunktion B (SFB)

#### HINWEIS!

**Wichtig für die Lebensdauer der Membran!**

- Steuerdruck nicht höher als erforderlich wählen.

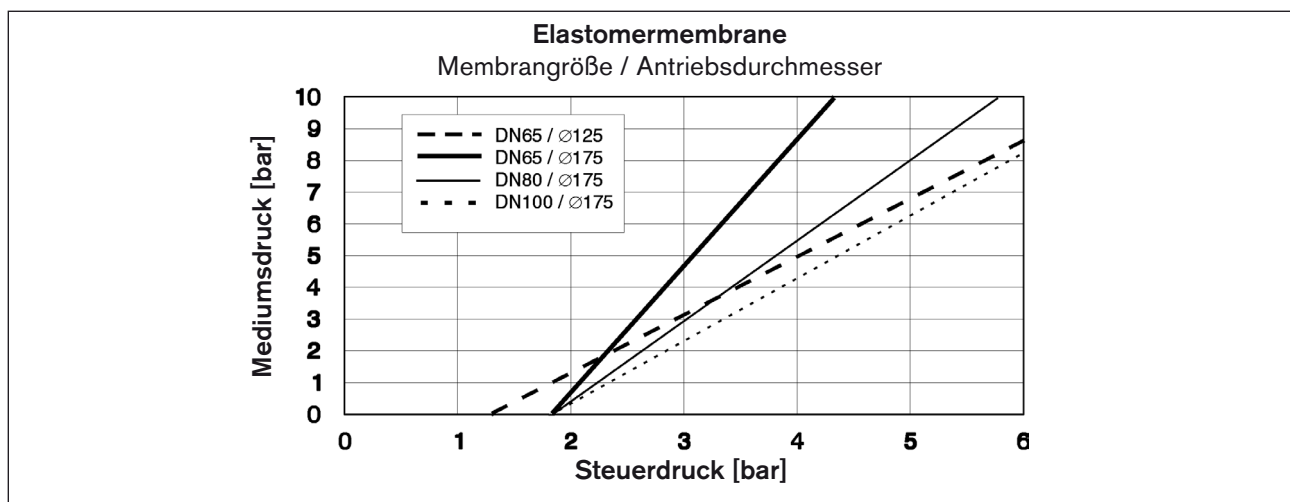


Bild 3: Steuerfunktion B - Elastormembrane



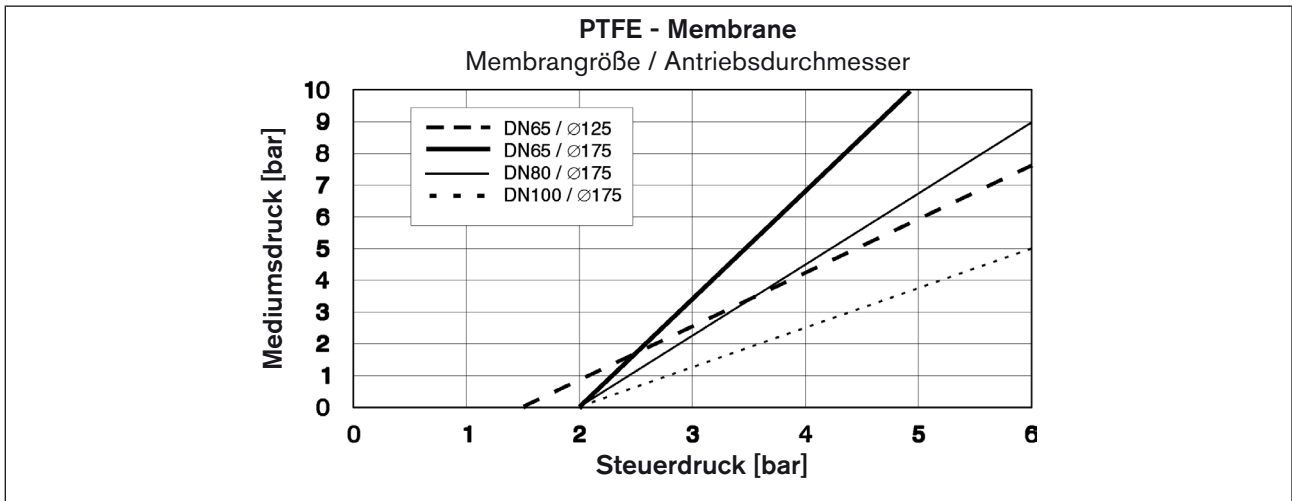


Bild 4: Steuerfunktion B - PTFE Membrane

**Druckwerte für Steuerfunktion I**

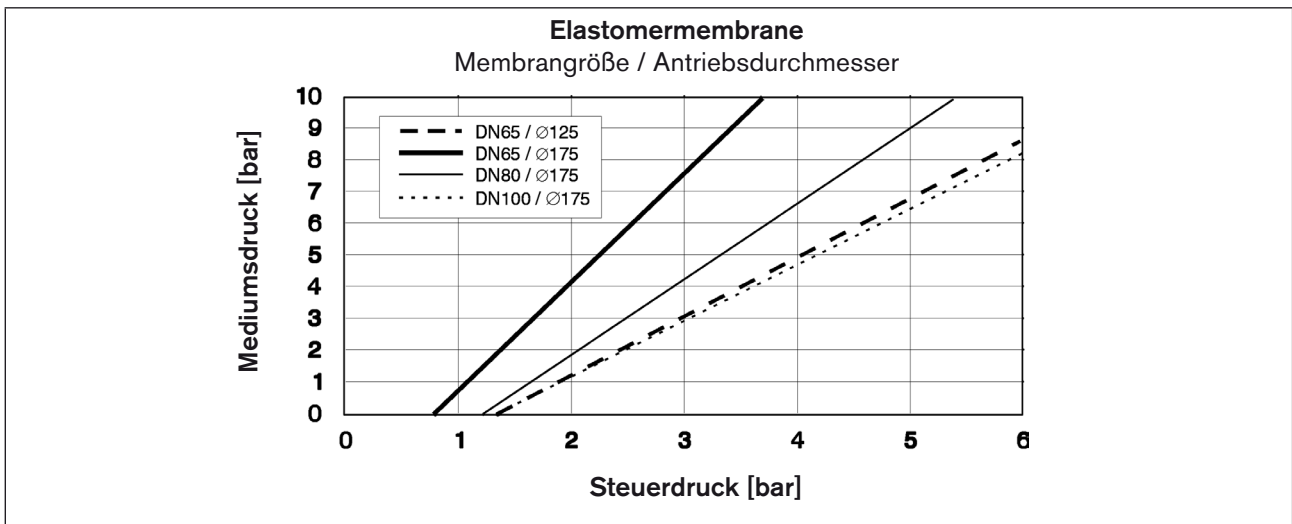


Bild 5: Steuerfunktion I - Elastomermembrane

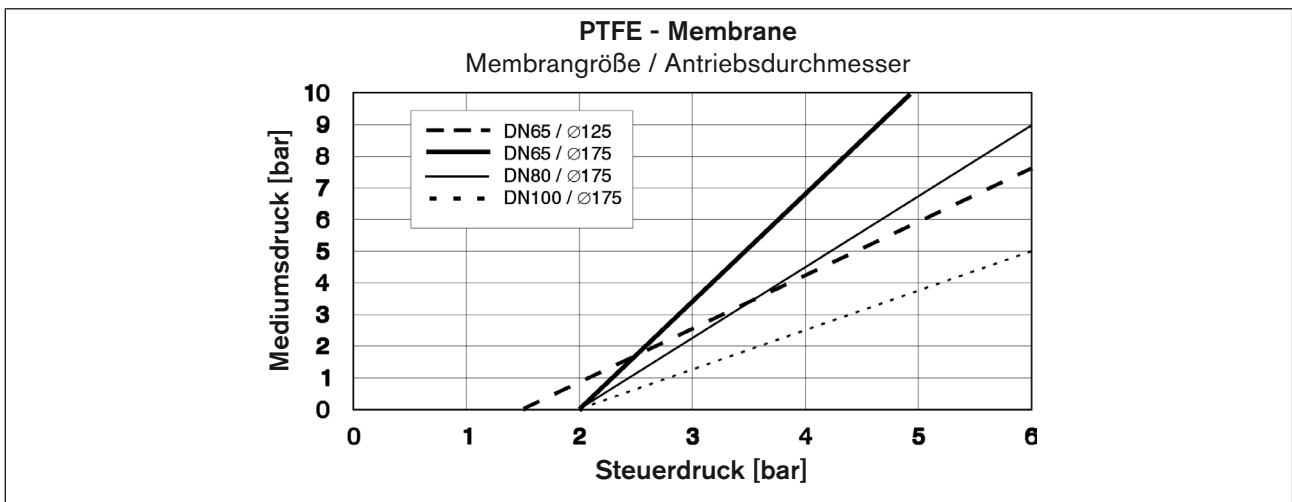


Bild 6: Steuerfunktion I - PTFE Membrane

MAN 1000010234 ML Version: J printed: 18.11.2010 Status: RL (released | freigegeben)

## 6.3. Allgemeine Technische Daten

### Werkstoffe

#### Gehäuse

Typ 2030	PP, PVC, PVDF
Typ 2031	Edelstahl-Feinguss (VG), Schmiedestahl (VS)
Typ 2031 K	Edelstahl-Rohrformgehäuse (VA)
Typ 2032, 2033, 2037	Edelstahl-Blockmaterial

#### Antrieb

PA

#### Dichtelemente Antriebe

NBR

#### Membran

EPDM, PTFE, FKM

### Anschlüsse

#### Steuerluftanschluss

G1/4

#### Mediumsanschluss

Schweißanschluss: nach DIN EN 1127 (ISO 4200), DIN 11850 R2  
andere Anschlüsse auf Anfrage

### Medien

#### Steuermedium

neutrale Gase, Luft

#### Durchflussmedien

Typ 2030; verschmutzte und aggressive Medien  
Typ 2031, 2031 K, 2032, 2033 und 2037; verschmutzte, aggressive, hochreine,  
sterile Medien und Medien mit höherer Viskosität.

### Einbaulage

beliebig, vorzugsweise Antrieb nach oben,  
Bodenablassventil Typ 2033: Antrieb nach unten

## 7. AUFBAU UND FUNKTION

### 7.1. Aufbau

#### 7.1.1. 2/2-Wege Ventil Typ 2030, 2031 und 2031 K

Das kolbengesteuerte Membranventil besteht aus einem pneumatisch betätigten Kolbenantrieb und einem 2/2-Wege-Ventilgehäuse.

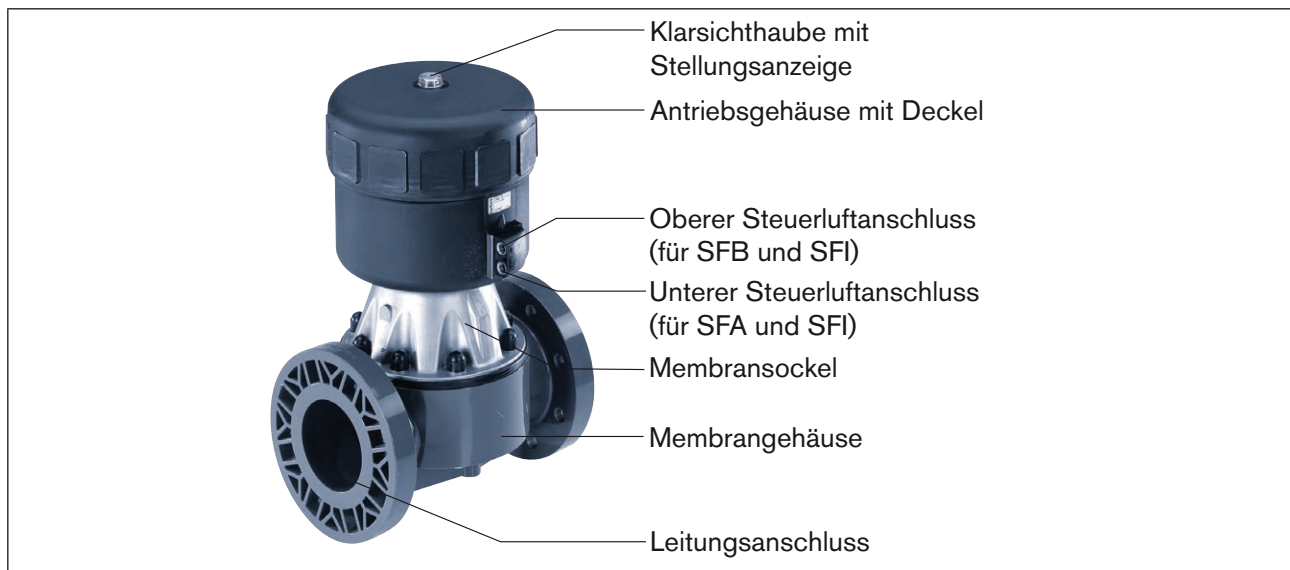


Bild 7: Aufbau und Beschreibung des Membranventils

#### 7.1.2. T-Ventil Typ 2032

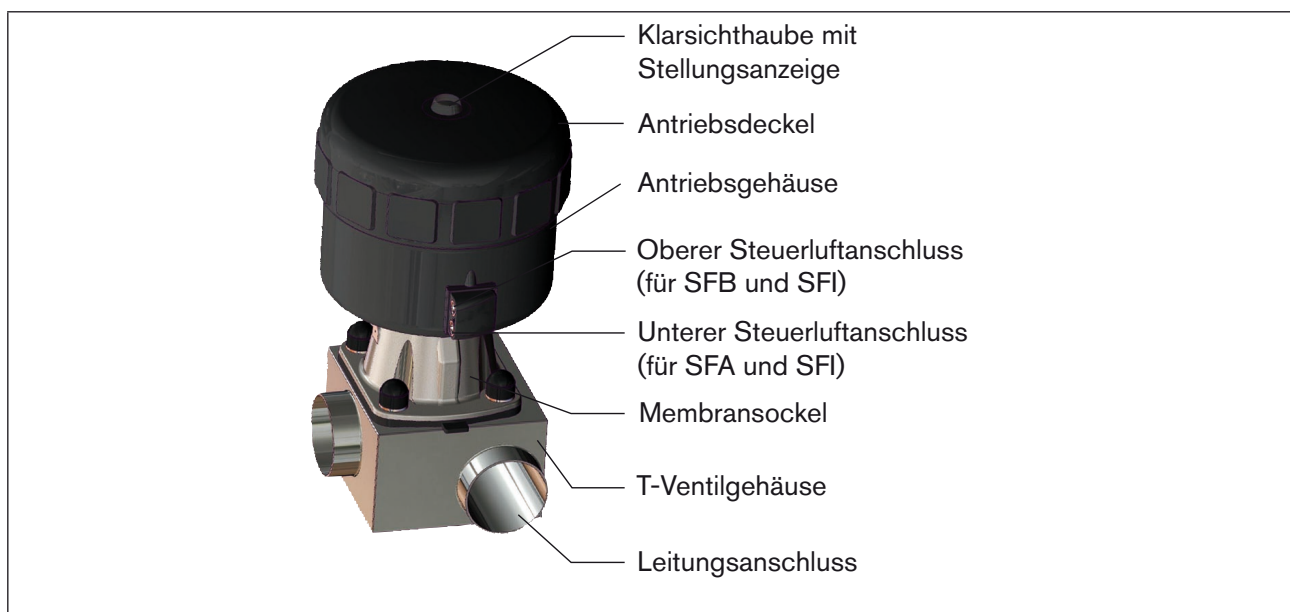


Bild 8: Aufbau und Beschreibung Typ 2032

### 7.1.3. Bodenablassventil Typ 2033

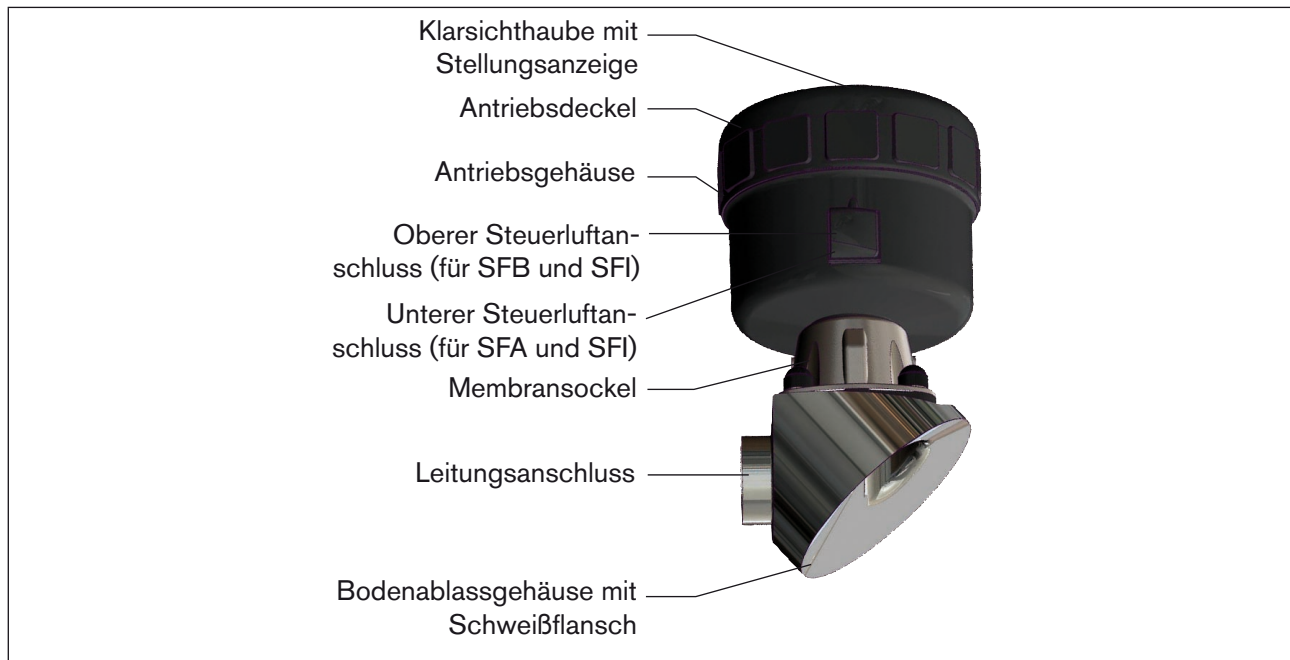


Bild 9: Aufbau und Beschreibung Typ 2033

### 7.1.4. Y-Ventil Typ 2037

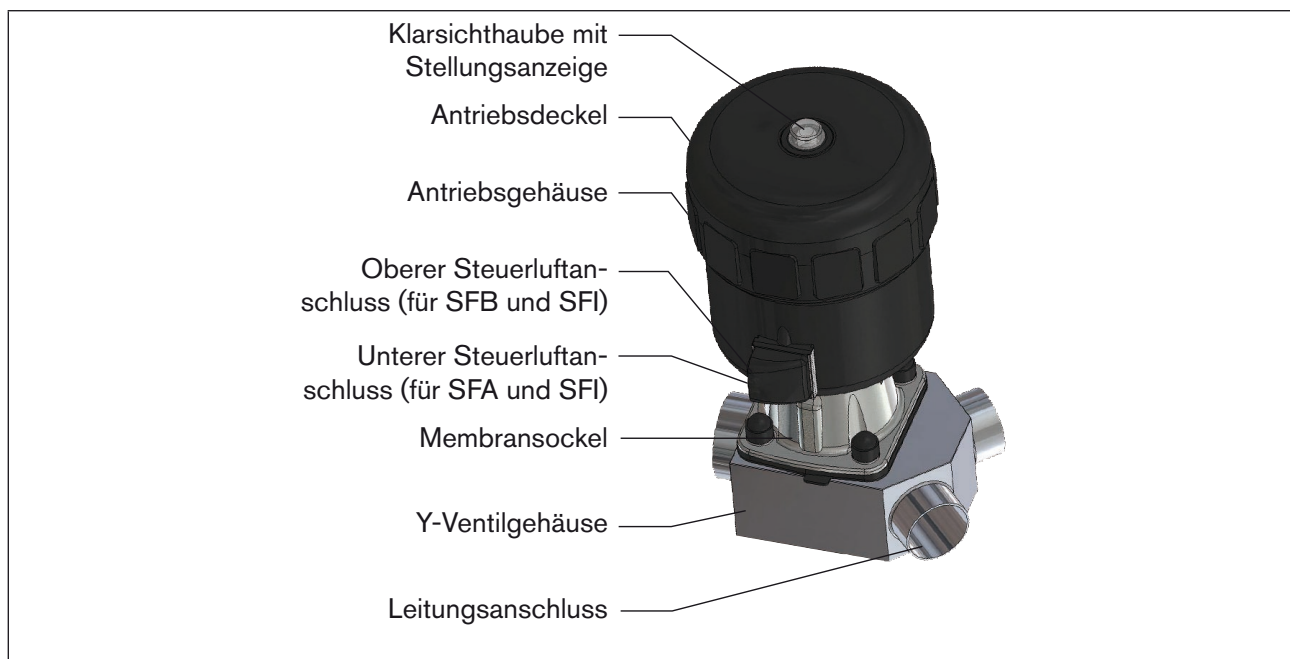


Bild 10: Aufbau und Beschreibung Typ 2037

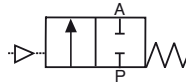
## 7.2. Funktion

Federkraft (SFA) oder pneumatischer Steuerdruck (SFB und SFI) erzeugen die Schließkraft des Membrandruckstücks. Über eine Spindel, die mit dem Antriebskolben verbunden ist, wird die Kraft übertragen und das Ventil geöffnet oder geschlossen.

### 7.2.1. Steuerfunktionen

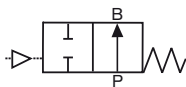
#### Steuerfunktion A (SFA)

In Ruhestellung durch Federkraft geschlossen



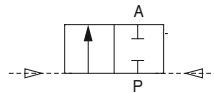
#### Steuerfunktion B (SFB)

In Ruhestellung durch Federkraft geöffnet



#### Steuerfunktion I (SFI)

Doppeltwirkender Antrieb ohne Feder



## 8. MONTAGE

### 8.1. Sicherheitshinweise



#### **GEFAHR!**

##### **Verletzungsgefahr durch hohen Druck in der Anlage!**

- Vor dem Lösen von Leitungen und Ventilen den Druck abschalten und Leitungen entlüften.

##### **Verletzungsgefahr durch Stromschlag!**

- Vor Eingriffen in das Gerät oder die Anlage die elektrische Spannung abschalten und vor Wiedereinschalten sichern!
- Die geltenden Unfallverhütungs- und Sicherheitsbestimmungen für elektrische Geräte beachten!



#### **WARNUNG!**

##### **Verletzungsgefahr bei unsachgemäßer Montage!**

- Die Montage darf nur autorisiertes Fachpersonal mit geeignetem Werkzeug durchführen!

##### **Verletzungsgefahr durch ungewolltes Einschalten der Anlage und unkontrollierten Wiederanlauf!**

- Anlage vor unbeabsichtigtem Betätigen sichern.
- Nach der Montage einen kontrollierten Wiederanlauf gewährleisten.

### 8.2. Vor dem Einbau

- Vor dem Anschluss des Ventils auf fluchtende Rohrleitungen achten.
- Die Durchflussrichtung ist beliebig.

#### 8.2.1. Einbaulage 2/2-Wege Ventile

- Die Einbaulage des kolbengesteuerten Membranventils ist beliebig, vorzugsweise Antrieb nach oben.

##### **Einbau für Selbstentleerung des Gehäuses**



Die Sicherstellung der Selbstentleerung liegt in der Verantwortung des Installateurs und Betreibers.

Um die Selbstentleerung zu gewährleisten:

- Gehäuse um den Winkel  $\alpha = 10^\circ$  bis  $40^\circ$  geneigt zur Horizontalen einbauen (siehe *Bild 11: Einbaulage zur Selbstentleerung des Gehäuses*).
- Zur Leitungssachse einen Neigungswinkel von  $3^\circ$  ...  $5^\circ$  einhalten.  
Bei Schmiede- und Gussgehäusen ist hierfür eine Markierung angebracht, welche nach oben zeigen muss (12 Uhr-Stellung).
- Die Bohrung (im Antriebssockel) zur Überwachung der Leckage muss am tiefsten Punkt sein.

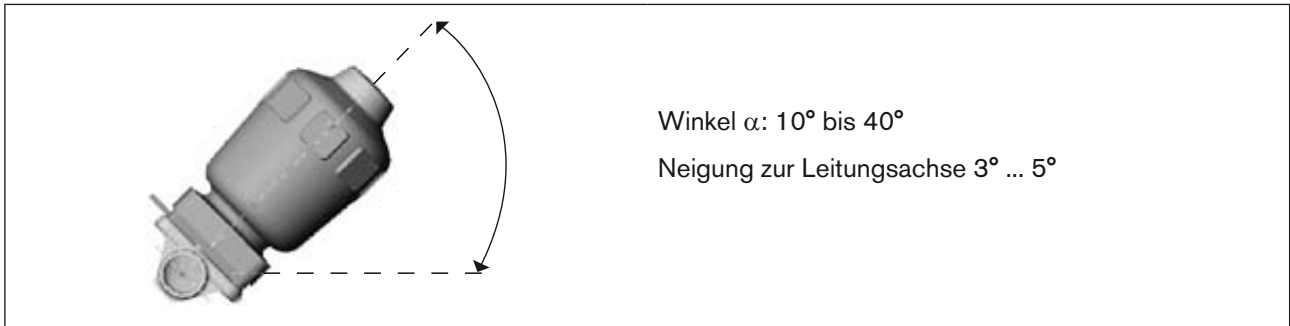


Bild 11: Einbaulage zur Selbstentleerung des Gehäuses

### 8.2.2. Einbaulage T-Ventil Typ 2032

Für den Einbau der T-Ventile in Ringleitungen werden folgende Einbaulagen empfohlen:

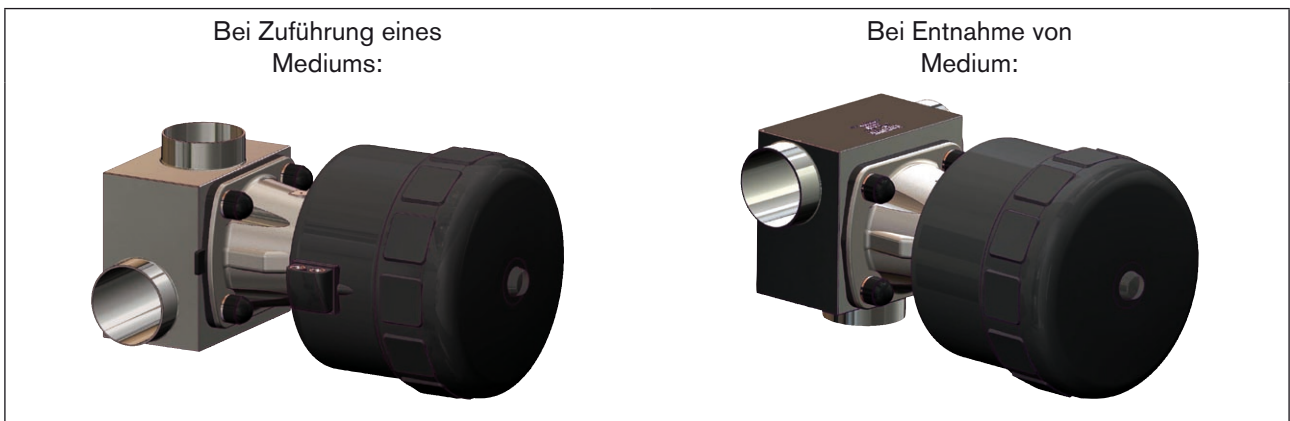


Bild 12: Einbaulage des Typs 2032

### 8.2.3. Einbaulage Y-Ventil Typ 2037

Für den Einbau der Y-Ventile in Anlagen werden folgende Einbaulagen empfohlen:

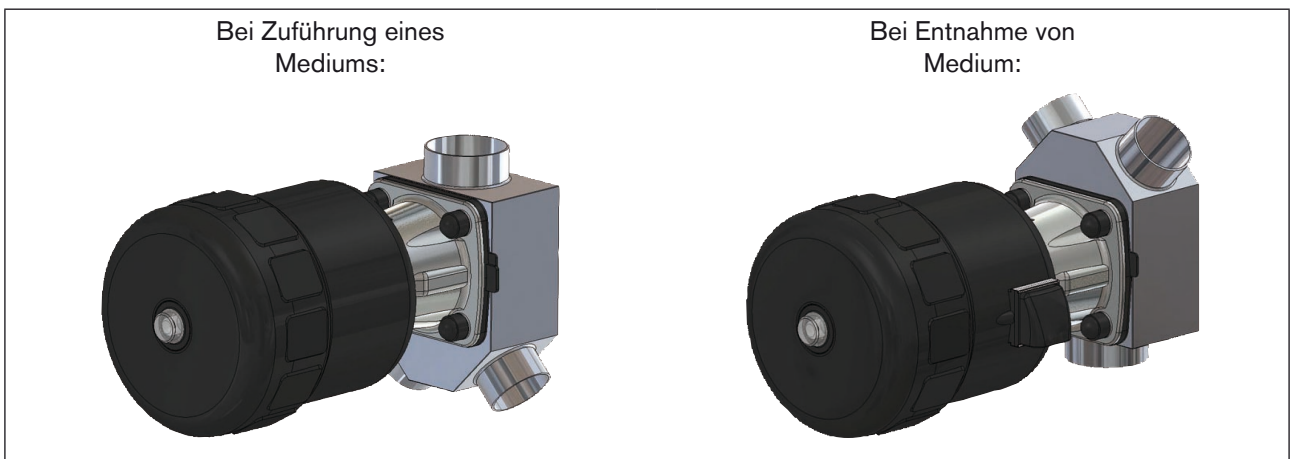


Bild 13: Einbaulage des Typs 2037

## 8.2.4. Einbau des Bodenablassventils Typ 2033



Für Informationen über Behälter und Schweißanweisungen, beziehen Sie sich auf die Norm ASME VIII Division I.



Es empfiehlt sich das Ventil zu schweißen bevor der Behälter aufgebaut wird. Trotzdem ist es möglich, die Ventile an fertig montierte Behälter zu schweißen.

### Vor dem Schweißen überprüfen, ob:

- Das Bodenablassventil mit keinem anderen Einrichtungsteil kollidiert und dass Auf- und Abbau des Antriebs stets möglich sind.
- Eine Minimaldistanz zwischen zwei Schweißstellen von 3 mal die Dicke der Behälterwand eingehalten wird.



Es empfiehlt sich das Ventil in der Mitte des Ablasses zu schweißen, damit sich der Behälter optimal entleert.

Der Durchmesser des Lochs im Behälter und der Flansch müssen gleich sein. Das Ventil ist mit zwei Schweißkanten versehen, um die Schweißung und das Positionieren des Ventils einfacher zu machen. Die Schweißkanten sind ungefähr 3 mm lang. Sollte die Behälterwand mehr als 3 mm dick sein, muss das Ventil wie auf dem *Bild 14*: positioniert werden.

→ Schleifen Sie die Ablasswand ab, bevor das Ventil eingeschweißt wird.

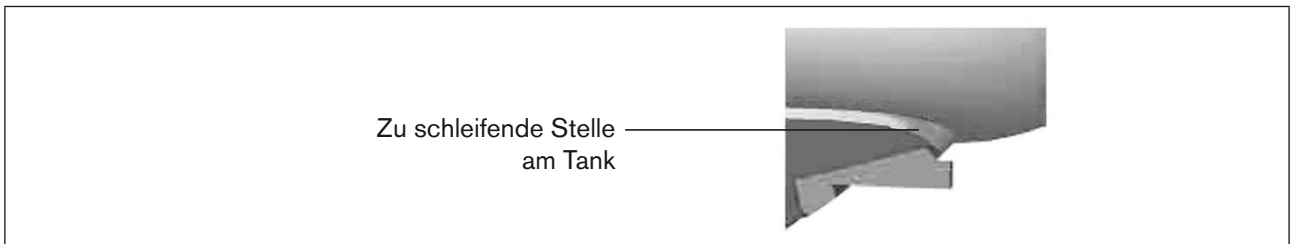


Bild 14: Zu schleifende Stelle am Tank



Prüfen Sie die auf dem gelieferten Hersteller-Zertifikat 3.1.B angegebenen Chargen-Nummer, bevor Sie mit dem Schweißen beginnen.

### Vorgehensweise:

- Den Flansch in das Loch positionieren, so dass die Flanschoberfläche mit der Ablassoberfläche tangierend ist.
- 4 Schweißpunkte heften und die Position des Ventils prüfen.
- Das Ventil gleichmäßig innerhalb und außerhalb des Behälters unter Zufuhr von Gas und mit dem Ventil-Edelstahl 316L (DIN 1.4435) kompatiblen Schweißmaterial einschweißen.
- Die Schweißungen abkühlen lassen bevor sie gemäß den geltenden Spezifikationen glanzgeschliffen und geputzt werden.

Diese Anweisungen helfen zum Einbau der Bodenablassventile und ermöglichen es, Formänderungen und Entspannungen innerhalb der Behälter zu vermeiden.



Bitte beachten Sie die im Land geltenden Gesetze bezüglich der Qualifikation von Schweißern und der Durchführung der Schweißungen.



### 8.2.5. Vorbereitende Arbeiten

- Rohrleitungen von Verunreinigungen säubern (Dichtungsmaterial, Metallspäne etc).
- Rohrleitungen abstützen und ausrichten.

#### Geräte mit Schweißgehäuse:



Vor dem Einschweißen des Gehäuses muss der Antrieb und die Membran demontiert werden.

### 8.3. Einbau



Beim Einsatz in aggressiver Umgebung empfehlen wir, sämtliche freien Pneumatikanschlüsse mit Hilfe eines Pneumatikschlauches in neutrale Atmosphäre abzuleiten.



#### **WARNUNG!**

##### **Verletzungsgefahr bei unsachgemäßem Einbau!**

Das Nichtbeachten des Anzugsmoments ist wegen der möglichen Beschädigung des Gerätes gefährlich.

- Anzugsmoment beim Einbau beachten (siehe *Tabelle 7: Anzugsmomente für Membranen*).

#### 8.3.1. Geräte mit Schweißgehäuse

##### **HINWEIS!**



##### **Zur Vermeidung von Schäden!**

Vor dem Einschweißen des Gehäuses (nur Schweißgehäuse) muss der Antrieb und die Membran demontiert werden.

#### **Antrieb und Membran vom Gehäuse abnehmen:**

##### **Vorgehensweise bei Steuerfunktion A**

- Unteren Steuerluftanschluss mit Druckluft (Wert wie auf dem Typenschild angegeben) beaufschlagen (siehe *Bild 15: Steuerluftanschluss*).
- Dies ist erforderlich, damit sich die Membran vom Gehäuse löst und nicht beschädigt wird.
- Befestigungsschrauben über Kreuz lösen und Antrieb mit Membran vom Gehäuse abnehmen.
- Gehäuse in die Rohrleitung einschweißen.

##### **Vorgehensweise bei Steuerfunktion B und I**

- Befestigungsschrauben über Kreuz lösen und Antrieb mit Membran vom Gehäuse abnehmen.
- Gehäuse in die Rohrleitung einschweißen.

#### **Antrieb und Membran auf das Gehäuse montieren:**

- Nach dem Einschweißen des Gehäuses, die Gehäuseoberfläche falls nötig durch Abschleifen glätten.
- Das Gehäuse sorgfältig reinigen.

### Vorgehensweise bei Steuerfunktion A

- Unteren Steuerluftanschluss mit Druckluft (Wert wie auf dem Typenschild angegeben) beaufschlagen (siehe *Bild 15:Steuerluftanschluss*).
- Antrieb auf das Gehäuse setzen.
- Die Gehäuseschrauben über Kreuz leicht anziehen, bis die Membran zwischen Gehäuse und Antrieb anliegt.  
**Schrauben noch nicht festziehen.**
- Das Membranventil zweimal schalten, damit die Membran richtig anliegt.
- Ohne Druckbeaufschlagung die Gehäuseschrauben bis zum zulässigen Anzugsmoment anziehen (siehe *Tabelle 7:Anzugsmomente für Membranen*).
- Unteren Steuerluftanschluss mit Druckluft (Wert wie auf dem Typenschild angegeben) beaufschlagen.
- Das Anzugsmoment der Schrauben nochmals überprüfen.

### Vorgehensweise für Antrieb mit Steuerfunktion B und I:

- Antrieb auf das Gehäuse setzen.
- Die Gehäuseschrauben ohne Druckbeaufschlagung über Kreuz leicht anziehen, bis die Membran zwischen Gehäuse und Antrieb anliegt.  
**Schrauben noch nicht festziehen.**
- Oberen Steuerluftanschluss mit Druckluft (Wert wie auf dem Typenschild angegeben) beaufschlagen (siehe nachfolgendes *Bild 15:Steuerluftanschluss*).
- Das Membranventil zweimal schalten.
- Die Gehäuseschrauben bis zum zulässigen Anzugsmoment anziehen (siehe *Tabelle 7:Anzugsmomente für Membranen*).

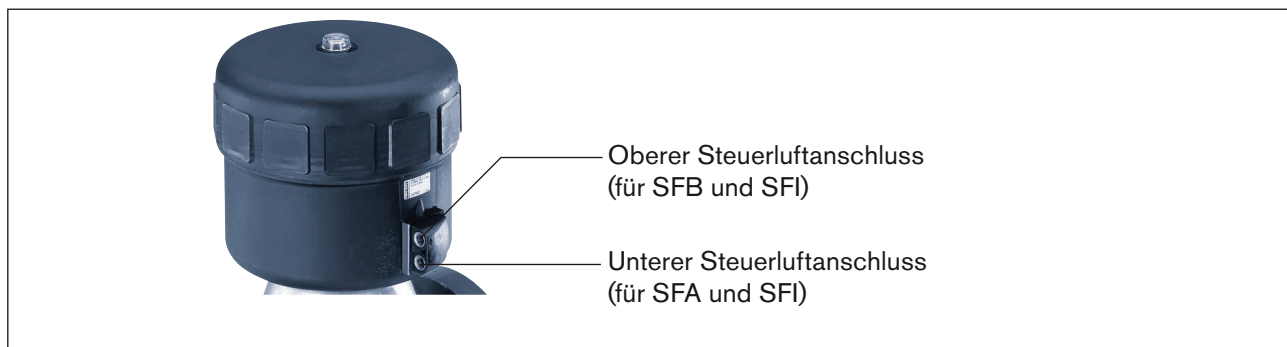


Bild 15: Steuerluftanschluss

### Anzugsmomente für Kunststoffgehäuse, VA-Rohrgehäuse (VA) und Schmiedegehäuse

DN	Anzugsmoment [Nm] (Richtwerte)	
	Elastomer-Membrane	PTFE-Membrane
65	20	30
80	30	40
100	40	50

Tabelle 7: Anzugsmomente für Membranen

MAN 1000010234 ML Version: J printed: 18.11.2010 Status: RL (released | freigegeben)

### VA-Einlegeteil (nur bei Geräten ohne Membran und Gehäuse)

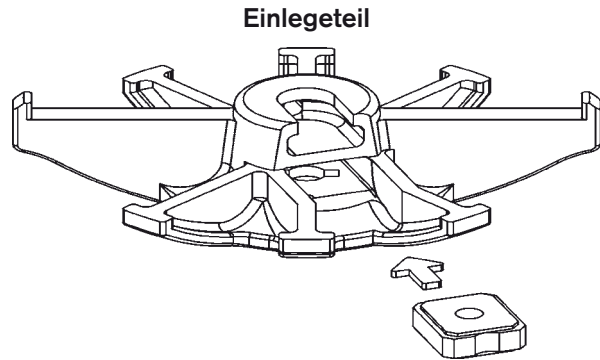
Wenn Sie ein Gerät ohne Membran und Gehäuse bestellt und erhalten haben, ist diesem ein VA-Einlegeteil (Bestell-Nr. 648 864) beigelegt.

#### Verwendung einer EPDM / FKM-Membrane:

→ Legen Sie das VA-Einlegeteil beim Aufbau eines Gerätes mit Elastomermembran (EPDM / FKM) in die Nut des Druckstücks ein.

#### Verwendung einer PTFE-Membrane:

→ Bei Verwendung einer PTFE-Membrane ist das Einlegeteil nicht erforderlich.



## 8.3.2. Anschluss des Steuermediums

### Steuerfunktion A:

→ Steuermedium an unteren Anschluss anschließen.

### Steuerfunktion B:

→ Steuermedium an oberen Anschluss anschließen.

### Steuerfunktion I:

→ Steuermedium am oberen und unteren Anschluss anschließen.  
(Siehe Bild 16: Pneumatischer Anschluss)

→ Druck am oberen Anschluss schließt das Ventil.

→ Druck am unteren Anschluss öffnet das Ventil.

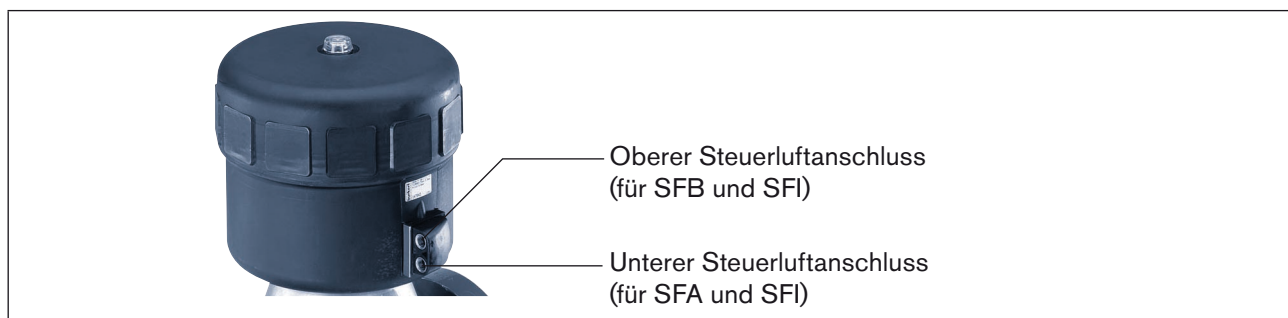


Bild 16: Pneumatischer Anschluss

### Steuerluftschlauch:

Es können Steuerluftschläuche der Größen 6/4 mm bzw. 1/4" verwendet werden.

## 8.4. Demontage



### **GEFAHR!**

#### **Verletzungsgefahr durch Mediumsaustritt (Säure, Lauge, heiße Medien)!**

Der Ausbau des Gerätes unter Druck ist wegen plötzlicher Druckentladung oder Mediumsaustritt gefährlich.

- Vor dem Ausbau den Druck abschalten und Leitungen entlüften.
- Leitungen vollständig entleeren.



Der Austausch der Membran ist im Kapitel *11.Instandhaltung* beschrieben.

## 9. ELEKTRISCHER ANSCHLUSS



Der elektrische Anschluss ist in der jeweiligen Bedienungsanleitung des Pilotventils beschrieben.



Spannung und Stromart laut Typenschild beachten.

(Spannungstoleranz  $\pm 10\%$ )!

## 10. WARTUNG, REINIGUNG

### 10.1. Sicherheitshinweise



#### **GEFAHR!**

##### **Verletzungsgefahr durch hohen Druck in der Anlage!**

- Vor dem Lösen von Leitungen und Ventilen den Druck abschalten und Leitungen entlüften.

##### **Verletzungsgefahr durch Stromschlag!**

- Vor Eingriffen in das Gerät oder die Anlage, Spannung abschalten und vor Wiedereinschalten sichern!
- Die geltenden Unfallverhütungs- und Sicherheitsbestimmungen für elektrische Geräte beachten!



#### **WARNUNG!**

##### **Verletzungsgefahr bei unsachgemäßen Wartungsarbeiten!**

- Die Wartung darf nur autorisiertes Fachpersonal mit geeignetem Werkzeug durchführen!

##### **Verletzungsgefahr durch ungewolltes Einschalten der Anlage und unkontrollierten Wiederanlauf!**

- Anlage vor unbeabsichtigtem Betätigen sichern.
- Nach der Wartung einen kontrollierten Wiederanlauf gewährleisten.

### 10.2. Wartungsarbeiten

#### 10.2.1. Antrieb

Der Antrieb des Membranventils ist, wenn für den Einsatz die Hinweise dieser Bedienungsanleitung beachtet werden, wartungsfrei.

#### 10.2.2. Verschleißteile des Membranventils

Teile die einer natürlichen Abnutzung unterliegen sind:

- Dichtungen,
- Membran,

→ Bei Undichtheiten das jeweilige Verschleißteil gegen ein entsprechendes Ersatzteil austauschen.  
(Siehe Kapitel 13.Ersatzteile).



Eine ausgebeulte PTFE-Membran, kann zur Reduzierung des Durchflusses führen.

### 10.2.3. Kontrollintervalle

→ Membran nach maximal  $10^5$  Schaltspielen auf Verschleiß prüfen.



Schlammartige und abrasive Medien erfordern entsprechend kürzere Kontrollintervalle!

### 10.2.4. Lebensdauer der Membran

Die Lebensdauer der Membran ist von folgenden Faktoren abhängig:

- Membranwerkstoff,
- Medium,
- Mediumsdruck,
- Mediumstemperatur,
- Antriebsgröße,
- Steuerdruck bei SFB und SFI.

#### Schonung der Membran

→ Bei SFA die Antriebsgröße (Antriebskraft) auf den zu schaltenden Mediumsdruck abstimmen. Gegebenenfalls den Antrieb mit reduzierter Federkraft EC04 wählen.

→ Bei SFB und SFI den Steuerdruck möglichst nicht höher wählen, als es zum Schalten des Mediumsdruckes nötig ist.

### 10.2.5. Reinigung

Zur Reinigung von außen können handelsübliche Reinigungsmittel verwendet werden.

#### HINWEIS!

##### Vermeidung von Schäden durch Reinigungsmittel.

- Die Verträglichkeit der Mittel mit den Gehäusewerkstoffen und Dichtungen vor der Reinigung prüfen.

# 11. INSTANDHALTUNG

## 11.1. Sicherheitshinweise



### GEFAHR!

#### Verletzungsgefahr durch hohen Druck in der Anlage!

- Vor dem Lösen von Leitungen und Ventilen den Druck abschalten und Leitungen entlüften.

#### Verletzungsgefahr durch Stromschlag!

- Vor Eingriffen in das System die elektrische Spannung abschalten und vor Wiedereinschalten sichern!
- Die geltenden Unfallverhütungs- und Sicherheitsbestimmungen für elektrische Geräte beachten!



### WARNUNG!

#### Verletzungsgefahr bei unsachgemäßer Instandhaltung!

- Die Montage darf nur autorisiertes Fachpersonal mit geeignetem Werkzeug durchführen.
- Die Anzugsmomente müssen eingehalten werden.
- Nach Abschluss der Arbeiten Ventil auf Dichtheit und Funktion prüfen.

#### Verletzungsgefahr durch ungewolltes Einschalten der Anlage und unkontrollierten Wiederanlauf!

- Anlage vor unbeabsichtigtem Betätigen sichern.
- Nach der Wartung einen kontrollierten Wiederanlauf gewährleisten.

## 11.2. Austausch der Membran



### GEFAHR!

#### Verletzungsgefahr durch Mediumsaustritt (Säure, Lauge, heiße Medien)!

Der Ausbau des Gerätes unter Druck ist wegen plötzlicher Druckentladung oder Mediumsaustritt gefährlich.

- Vor dem Ausbau den Druck abschalten und Leitungen entlüften.
- Leitungen vollständig entleeren.
- Demontage und Montage siehe Kapitel 8.3.1.

#### Benötigtes Ersatzteil

- Membran

#### Befestigungsarten

DN	Befestigungsarten für Membranen	
	PTFE	EPDM / FKM
65	Membran mit Bajonettverschluss	Membran eingeschraubt
80		
100		

Tabelle 8: Befestigungsarten für Membran



Beispiel:

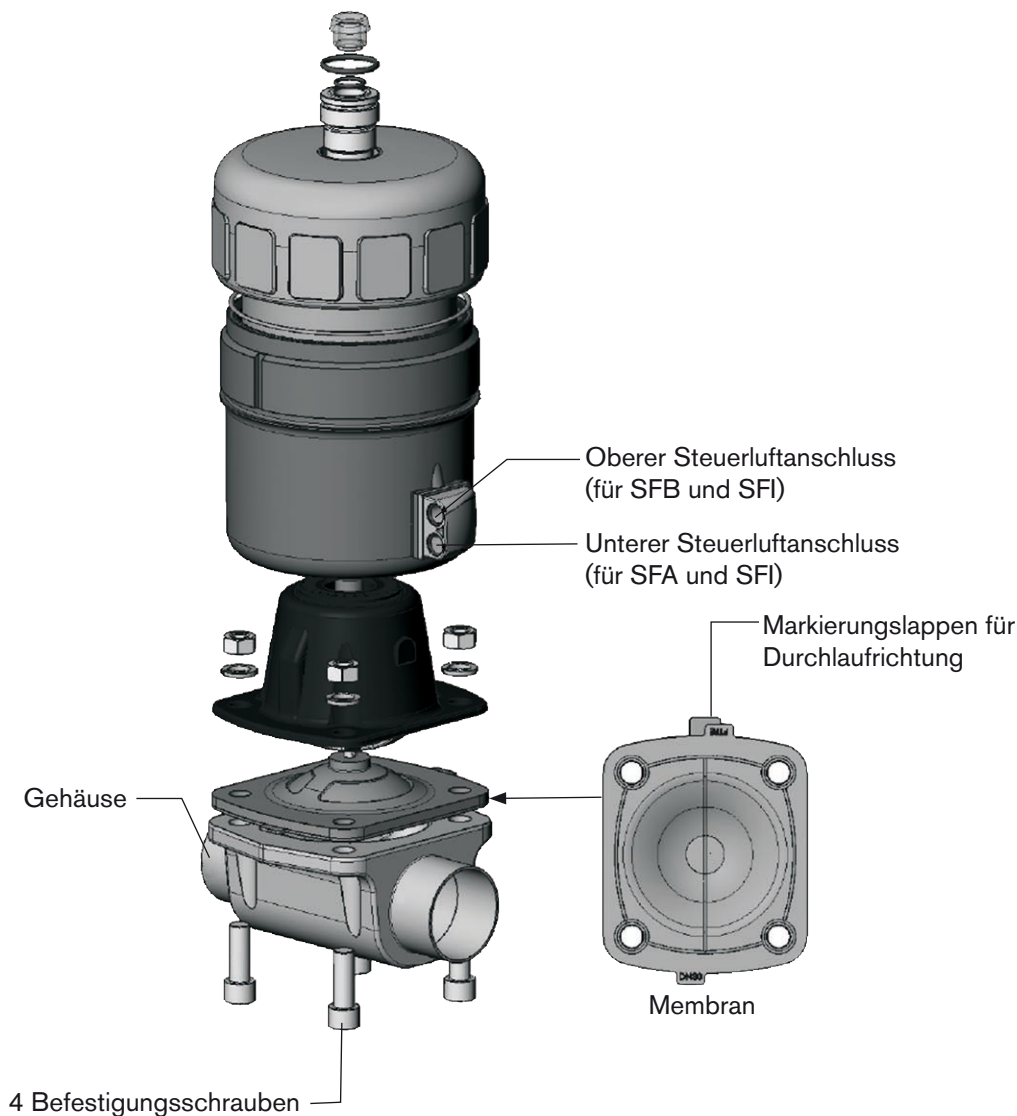


Bild 17: Austausch Membran

#### Austausch der Membran bei Steuerfunktion A

- Das Ventilgehäuse in eine Haltevorrichtung einspannen.  
(Gilt nur für noch nicht eingebaute Ventile).
- Unteren Steuerluftanschluss mit Druckluft (Wert wie auf dem Typenschild angegeben) beaufschlagen (siehe nachfolgendes *Bild 18: Steuerluftanschluss*).  
Dies ist erforderlich, damit sich die Membran vom Gehäuse löst und nicht beschädigt wird.
- Befestigungsschrauben über Kreuz lösen und Antrieb mit Membran vom Gehäuse abnehmen.
- Alte Membran ausknöpfen oder ausschrauben. Bei Befestigung mit Bajonettverschluss die Membran durch Drehen um 90° lösen (siehe *Tabelle 8: Befestigungsarten für Membran*).
- Neue Membran in Antrieb einbauen (siehe *Tabelle 8: Befestigungsarten für Membran*).

- Membran ausrichten.  
**Markierungslappen für Durchflussrichtung beachten!**
- Antrieb wieder auf das Gehäuse setzen.
- Die Gehäuseschrauben über Kreuz leicht anziehen, bis die Membran zwischen Gehäuse und Antrieb anliegt.  
**Schrauben noch nicht festziehen.**
- Das Membranventil zweimal schalten, damit die Membran richtig anliegt.
- Ohne Druckbeaufschlagung die Gehäuseschrauben bis zum zulässigen Anzugsmoment anziehen (siehe *Tabelle 7:Anzugsmomente für Membranen*).
- Unteren Steuerluftanschluss mit Druckluft (Wert wie auf dem Typenschild angegeben) beaufschlagen.
- Das Anzugsmoment der Schrauben nochmals überprüfen.

#### **Austausch der Membran bei Steuerfunktion B und I**

- Das Ventilgehäuse in eine Haltevorrichtung einspannen.  
(Gilt nur für noch nicht eingebaute Ventile).
- Befestigungsschrauben über Kreuz lösen und Antrieb mit Membran vom Gehäuse abnehmen.
- Alte Membran ausknöpfen oder ausschrauben. Bei Befestigung mit Bajonettverschluss die Membran durch Drehen um 90° lösen (siehe *Tabelle 8:Befestigungsarten für Membran*).
- Neue Membran in Antrieb einbauen (siehe *Tabelle 8:Befestigungsarten für Membran*).
- Membran ausrichten.  
**Markierungslappen für Durchflussrichtung beachten!**
- Antrieb wieder auf das Gehäuse setzen.
- Die Gehäuseschrauben ohne Druckbeaufschlagung über Kreuz leicht anziehen, bis die Membran zwischen Gehäuse und Antrieb anliegt.  
**Schrauben noch nicht festziehen.**
- Oberen Steuerluftanschluss mit Druckluft (Wert wie auf dem Typenschild angegeben) beaufschlagen (siehe *Bild 15:Steuerluftanschluss*).
- Das Membranventil zweimal schalten.
- Die Gehäuseschrauben bis zum zulässigen Anzugsmoment anziehen (siehe *Tabelle 7:Anzugsmomente für Membranen*).

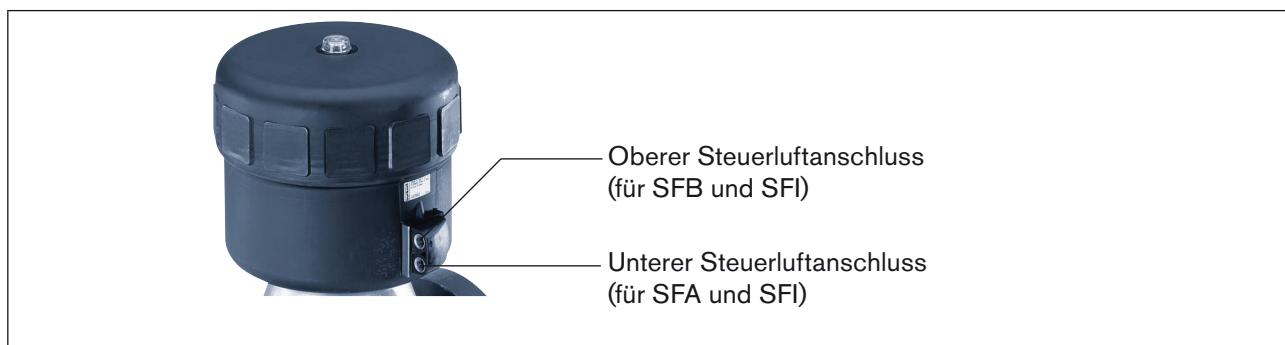


Bild 18: Steuerluftanschluss

## 12. STÖRUNGEN

Störung	Ursache /Beseitigung
Antrieb schaltet nicht	Steueranschluss vertauscht* SFA: → Steueranschluss unten anschließen SFB: → Steueranschluss oben anschließen SFI → Steueranschluss oben: Schließen Steueranschluss unten: Öffnen <i>* siehe Bild 16: Pneumatischer Anschluss</i>
	Steuerdruck zu gering → Siehe Druckangabe auf dem Typenschild.
	Mediumsdruck zu hoch → Siehe Druckangabe auf dem Typenschild.
Ventil ist nicht dicht	Mediumsdruck zu hoch → Siehe Druckangabe auf dem Typenschild.
	Steuerdruck zu gering → Siehe Druckangabe auf dem Typenschild.
Durchflussmenge verringert	PTFE Membran ausgebeult → Membran austauschen.

## 13. ERSATZTEILE



### WARNUNG!

#### Verletzungsgefahr bei Öffnung des Antriebgehäuses!

Der Antrieb enthält eine gespannte Feder. Bei Öffnung des Gehäuses kann es durch die herauspringende Feder zu Verletzungen kommen!

- Das Antriebsgehäuse vorsichtig öffnen und so halten, dass eventuell herauspringende Teile niemanden verletzen und nichts beschädigen können.



### VORSICHT!

#### Verletzungsgefahr, Sachschäden durch falsche Teile!

Falsches Zubehör und ungeeignete Ersatzteile können Verletzungen und Schäden am Gerät und dessen Umgebung verursachen

- Nur Originalzubehör sowie Originalersatzteile der Fa. Bürkert verwenden.

Als Ersatzteile für die kolbengesteuerten Membranventile Typ 2030, 2031, 2031 K, 2032, 2033, 2037 sind erhältlich:

- Dichtungssatz für Antrieb
- Membran

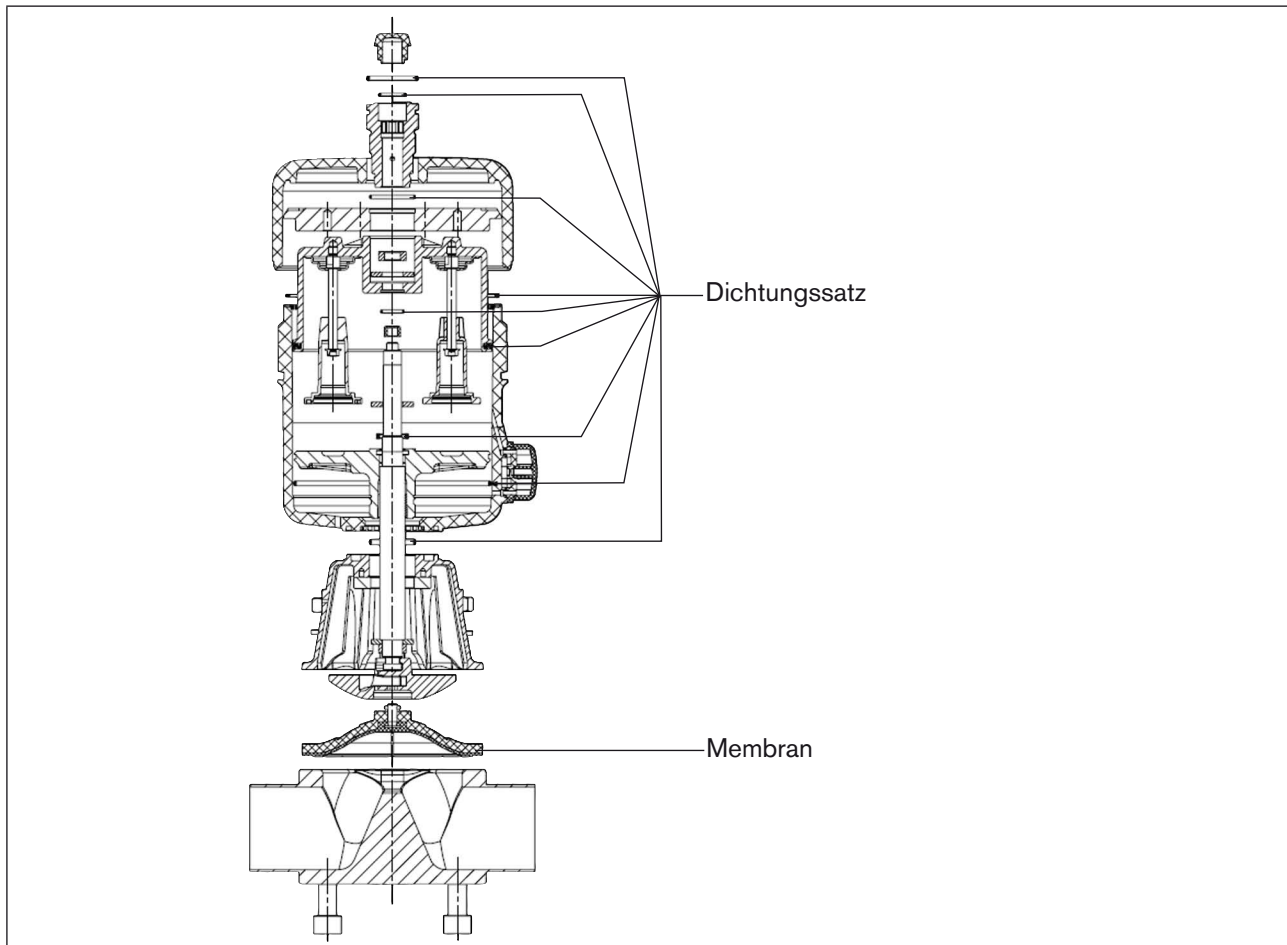


Bild 19: Ersatzteile

## 13.1. Bestelltabelle

Antrieb	DN [mm]	Bestellnummern für Dichtungssätze
175	65, 80, 100	181 802
225	80, 100	186 775

Tabelle 9: Bestellnummern für Dichtungssätze

DN	Bestellnummern für Membranen		
	EPDM	FKM	PTFE
65	677 671	677 691	677 681
80	650 082	650 083	650 087
100	650 084	650 085	650 088

Tabelle 10: Bestellnummern für Membranen

Das Datenblatt und weitere Informationen zum Typ finden Sie im Internet unter:



[www.buerkert.de](http://www.buerkert.de) → Dokumentation → Typ 2030, 2031, 2031 K, 2032, 2033, 2037

Wenden Sie sich bei Fragen bitte an Ihre Bürkert-Vertriebsniederlassung.

## 14. VERPACKUNG, TRANSPORT

### HINWEIS!

#### Transportschäden!

Unzureichend geschützte Geräte können durch den Transport beschädigt werden.

- Gerät vor Nässe und Schmutz geschützt in einer stoßfesten Verpackung transportieren.
- Eine Über- bzw. Unterschreitung der zulässigen Lagertemperatur vermeiden.
- Elektrische Schnittstellen der Spule und die pneumatischen Anschlüsse mit Schutzkappen vor Beschädigungen schützen.

## 15. LAGERUNG

### HINWEIS!

#### Falsche Lagerung kann Schäden am Gerät verursachen.

- Für längere Einlagerung, die Gehäuseschrauben lockern, damit eine Verformung der Membran vermieden wird.
- Gelockerte Schrauben aus Sicherheitsgründen kennzeichnen!
- Gerät trocken und staubfrei lagern!
- Lagertemperatur. -40 ... +55 °C.



### GEFAHR!

#### Verletzungsgefahr bei Wiedereinbau. Mediumsaustritt durch gelockerte Gehäuseschrauben (Säure, Lauge, heiße Medien)!

Vor dem Wiedereinbau, der Ventile muss sichergestellt sein, dass die Gehäuseschrauben korrekt angezogen sind.

- Anzugsmoment der Gehäuseschrauben vor Wiedereinbau überprüfen.

## 16. ENTSORGUNG

→ Entsorgen Sie das Gerät und die Verpackung umweltgerecht.

### HINWEIS!

#### Umweltschäden durch von Medien kontaminierte Geräteteile.

- Geltende Entsorgungsvorschriften und Umweltbestimmungen einhalten.



Beachten Sie die nationalen Abfallbeseitigungsvorschriften.

## Vannes à membrane, commandé par piston type 2030, 2031, 2031 K, 2032, 2033, 2037

### SOMMAIRE

<b>1.</b>	<b>LES INSTRUCTIONS DE SERVICE.....</b>	<b>73</b>
1.1.	Symboles.....	73
<b>2.</b>	<b>UTILISATION CONFORME.....</b>	<b>74</b>
2.1.	Limitations .....	74
2.2.	Mauvaise utilisation prévisible.....	74
<b>3.</b>	<b>CONSIGNES DE SÉCURITÉ FONDAMENTALES.....</b>	<b>75</b>
<b>4.</b>	<b>INDICATIONS GÉNÉRALES .....</b>	<b>76</b>
4.1.	Fourniture.....	76
4.2.	Adresses.....	76
4.3.	Garantie légale.....	76
4.4.	Homologations.....	76
4.5.	Informations sur Internet.....	76
<b>5.</b>	<b>DESCRIPTION DU SYSTÈME.....</b>	<b>77</b>
5.1.	Description générale.....	77
5.2.	Utilisation prévue.....	77
<b>6.</b>	<b>CARACTÉRISTIQUES TECHNIQUES.....</b>	<b>78</b>
6.1.	Plaque signalétique .....	78
6.2.	Conditions d'exploitation .....	79
6.3.	Caractéristiques techniques générales.....	83
<b>7.</b>	<b>STRUCTURE ET MODE DE FONCTIONNEMENT .....</b>	<b>84</b>
7.1.	Structure.....	84
7.2.	Fonction .....	86
<b>8.</b>	<b>MONTAGE.....</b>	<b>87</b>
8.1.	Consignes de sécurité .....	87
8.2.	Avant le montage .....	87
8.3.	Montage .....	90



8.4.	Démontage.....	93
9.	RACCORDEMENT ÉLECTRIQUE .....	94
10.	MAINTENANCE, NETTOYAGE.....	95
10.1.	Consignes de sécurité .....	95
10.2.	Travaux d'entretien.....	95
11.	MAINTENANCE .....	97
11.1.	Consignes de sécurité .....	97
11.2.	Remplacement de la membrane .....	97
12.	PANNES.....	100
13.	PIÈCES DE RECHANGE.....	101
13.1.	Tableau de commande de pièces.....	102
14.	EMBALLAGE, TRANSPORT .....	103
16.	ÉLIMINATION .....	104

# 1. LES INSTRUCTIONS DE SERVICE

Les instructions de service décrivent le cycle de vie complet de l'appareil. Conservez ces instructions de sorte qu'elles soient accessibles à tout utilisateur et à disposition de tout nouveau propriétaire.

## Les instructions de service contiennent des informations importantes sur la sécurité !

Le non-respect de ces consignes peut entraîner des situations dangereuses.

- Les instructions de service doivent être lues et comprises.

## 1.1. Symboles



### **DANGER !**

Met en garde contre un danger imminent !

- Le non-respect peut entraîner la mort ou de graves blessures.



### **AVERTISSEMENT !**

Met en garde contre une situation éventuellement dangereuse !

- Risque de blessures graves, voire la mort en cas de non-respect.



### **ATTENTION !**

Met en garde contre un risque possible !

- Le non-respect peut entraîner des blessures légères ou de moyenne gravité.

## **REMARQUE !**

Met en garde contre des dommages matériels !

- L'appareil ou l'installation peut être endommagé(e) en cas de non-respect.



Désigne des informations supplémentaires importantes.



Renvoie à des informations dans ces instructions de service ou dans d'autres documentations.

→ identifie une opération que vous devez effectuer.

## 2. UTILISATION CONFORME

**L'utilisation non conforme de l'appareil peut présenter des dangers pour les personnes, les installations proches et l'environnement.**

- Les vannes à membre des types 2030, 2031, 2031 K, 2032, 2033 et 2037 sont prévues pour la commande de fluides encrassés, de grande pureté ou stériles, ainsi que pour les fluides abrasifs ou agressifs (également avec viscosité élevée).

Les appareils peuvent uniquement être utilisés pour les fluides qui n'attaquent pas le boîtier et les matériaux du joint (voir plaque signalétique). Vous trouverez toutes les informations concernant la résistance des matériaux aux fluides auprès de votre filiale de distribution Bürkert.

- Lors de l'utilisation, il convient de respecter les données et conditions d'utilisation et d'exploitation admissibles spécifiées dans les instructions de service et dans les documents contractuels. Elles sont décrites dans les chapitres *6.Caractéristiques techniques*.
- L'appareil peut être utilisé uniquement en association avec les appareils et composants étrangers recommandés et homologués par Bürkert.
- Les conditions pour l'utilisation sûre et parfaite sont un transport, un stockage et une installation dans les règles ainsi qu'une parfaite utilisation et maintenance.
- Veillez à ce que l'utilisation de l'appareil soit toujours conforme.

### 2.1. Limitations

Lors de l'exportation du système/de l'appareil, veuillez respecter les limitations éventuelles existantes.

#### 2.1.1. Homologation Ex

L'homologation Ex n'est valable que si vous utilisez les modules et composants homologués par Bürkert tel que cela est décrit dans ces instructions de service.

L'homologation Ex devient également caduque si vous apportez des modifications non autorisées au système, aux modules ou aux composants.

### 2.2. Mauvaise utilisation prévisible

- N'injectez dans les raccords de fluide que des fluides qui n'attaquent pas les matériaux des joints ou du boîtier. Vous trouverez le tableau de résistance Bürkert des différents matériaux sur Internet sous : [www.buerkert.de](http://www.buerkert.de) → Documentation → Kataloge & Broschüren → Beständigkeitstabelle.
- Ne soumettez pas le corps à des contraintes mécaniques (par ex. pour déposer des objets ou en l'utilisant comme marche).
- N'apportez pas de modifications à l'extérieur du corps de l'appareil. Ne laquez pas les pièces du corps et les vis.

### 3. CONSIGNES DE SÉCURITÉ FONDAMENTALES

Ces consignes de sécurité ne tiennent pas compte :

- Des hasards et des événements pouvant survenir lors du montage, de l'exploitation et de l'entretien des appareils.
- Des prescriptions de sécurité locales que l'exploitant est tenu de faire respecter par le personnel chargé du montage.



#### **Danger dû à la haute pression !**

- Avant de desserrer les conduites et les vannes, coupez la pression et purgez l'air des conduites.

#### **Risque d'éclatement en cas de surpression !**

- Respectez les indications figurant sur la plaque signalétique relatives à la pression de commande et du fluide max.
- Respectez la température de fluide admissible.

#### **Danger présenté par la tension électrique !**

- Avant d'intervenir dans l'appareil ou l'installation, coupez la tension et empêchez toute remise sous tension par inadvertance !
- Veuillez respecter les réglementations en vigueur pour les appareils électriques en matière de prévention des accidents ainsi qu'en matière de sécurité !

#### **Risque de brûlures/d'incendie en fonctionnement continu dû à des surfaces d'appareils brûlantes !**

- Tenez les substances et les fluides facilement inflammables à l'écart de l'appareil et ne touchez pas ce dernier à mains nues.

#### **Situations dangereuses d'ordre général.**

Pour prévenir les blessures, respectez ce qui suit :

- L'installation ne peut pas être actionnée par inadvertance.
- Les travaux d'installation et de maintenance doivent être effectués uniquement par des techniciens qualifiés et habilités disposant de l'outillage approprié.
- Après une interruption de l'alimentation électrique ou pneumatique, un redémarrage défini ou contrôlé du processus doit être garanti.
- L'appareil doit être utilisé uniquement en parfait état et en respectant les instructions de service.
- Les règles générales de la technique sont d'application pour planifier l'utilisation et utiliser l'appareil.



Les vannes à membrane de type 2030, 2031, 2031 K, 2032, 2033, 2037 ont été développées dans le respect des règles reconnues en matière de sécurité et correspondent à l'état actuel de la technique. Néanmoins, des risques peuvent se présenter.

Le non-respect de ces instructions de service avec ses consignes ainsi que les interventions non autorisées sur l'appareil excluent toute responsabilité de notre part et entraînent la nullité de la garantie légale concernant les appareils et les accessoires !

## 4. INDICATIONS GÉNÉRALES

### 4.1. Fourniture

Assurez-vous que le contenu n'est pas endommagé et correspond au bon de livraison ou à la liste de colisage pour ce qui concerne le type et la quantité.

En cas de différences, veuillez nous contacter immédiatement.

### 4.2. Adresses

#### Allemagne

Bürkert Fluid Control Systems  
Sales Center  
Chr.-Bürkert-Str. 13-17  
D-74653 Ingelfingen  
Tel. + 49 (0) 7940 - 10 91 111  
Fax + 49 (0) 7940 - 10 91 448  
E-mail: info@de.buerkert.com

Les adresses se trouvent aux dernières pages des instructions de service imprimées.

Egalement sur internet sous :

[www.burkert.com](http://www.burkert.com) → Bürkert → Company → Locations

### 4.3. Garantie légale

Cet imprimé ne contient aucune promesse de garantie. A cet effet, nous renvoyons à nos conditions générales de vente et de livraison. La condition pour bénéficier de la garantie légale est l'utilisation conforme de l'appareil dans le respect des conditions d'utilisation spécifiées.



La garantie légale ne couvre que l'absence de défaut des vannes à membrane type 2030, 2031, 2031 K, 2032, 2033, 2037 et de leurs composants.

Nous déclinons toute responsabilité pour les dommages de toute nature qui résultent de la panne ou du dysfonctionnement de l'appareil.

### 4.4. Homologations

Le marquage d'homologation apposé sur les plaques signalétiques Bürkert se rapporte aux produits Bürkert.

### 4.5. Informations sur Internet

Vous trouverez les instructions de service et les fiches techniques concernant les types 2030, 2031, 2031 K, 2032, 2033, 2037 sur Internet sous :

[www.buerkert.fr](http://www.buerkert.fr) → Fiches techniques → Type 2030, 2031, 2031 K, 2032, 2033, 2037

## 5. DESCRIPTION DU SYSTÈME

### 5.1. Description générale

La vanne de type 2030, 2031, 2031 K, 2032, 2033 et 2037 est une vanne à membrane commandée extérieurement par piston avec membrane d'étanchéité.

La vanne se vide automatiquement lorsque sa position de montage est correcte.

### 5.2. Utilisation prévue

La vanne à membrane de type 2030 est conçue pour la commande de fluides encrassés et agressifs. Les vannes des types 2031, 2031 K, 2032, 2033 et 2037 peuvent également être utilisées pour les fluides à pureté élevée ou stériles présentant une viscosité plus élevée. Seuls les fluides qui n'attaquent pas le boîtier et les matériaux du joint (voir plaque signalétique) peuvent être utilisés avec les vannes. Vous trouverez toutes les informations concernant la résistance des matériaux aux fluides auprès de votre filiale de distribution Bürkert.

## 6. CARACTÉRISTIQUES TECHNIQUES



### AVERTISSEMENT !

**Danger dû à la haute pression**

Les indications techniques importantes spécifiques à l'appareil sont indiquées sur la plaque signalétique.

- Respectez la plage de pression admissible indiquée sur la plaque signalétique de l'appareil.

### 6.1. Plaque signalétique

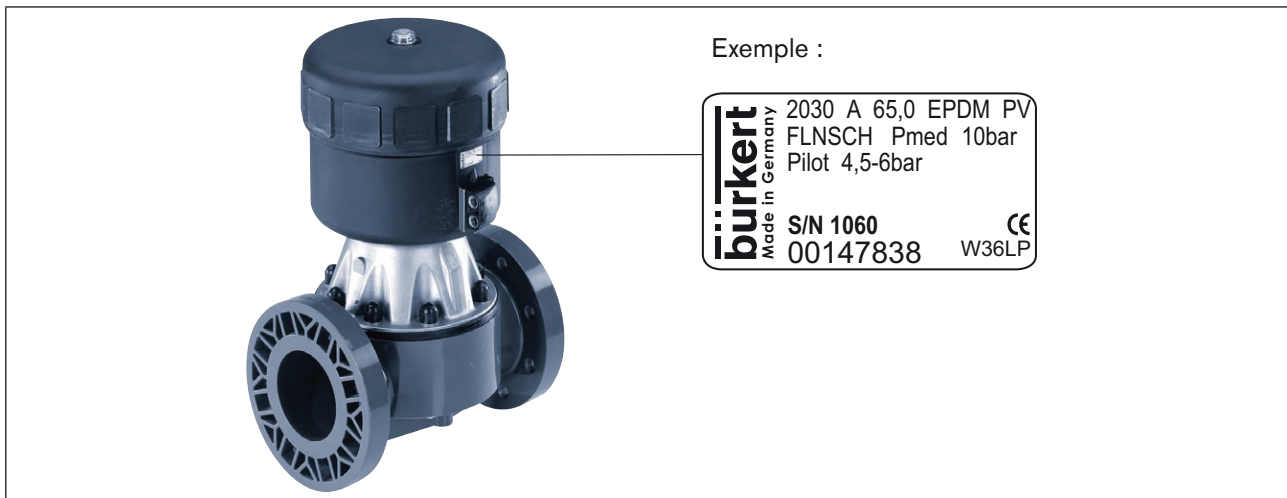
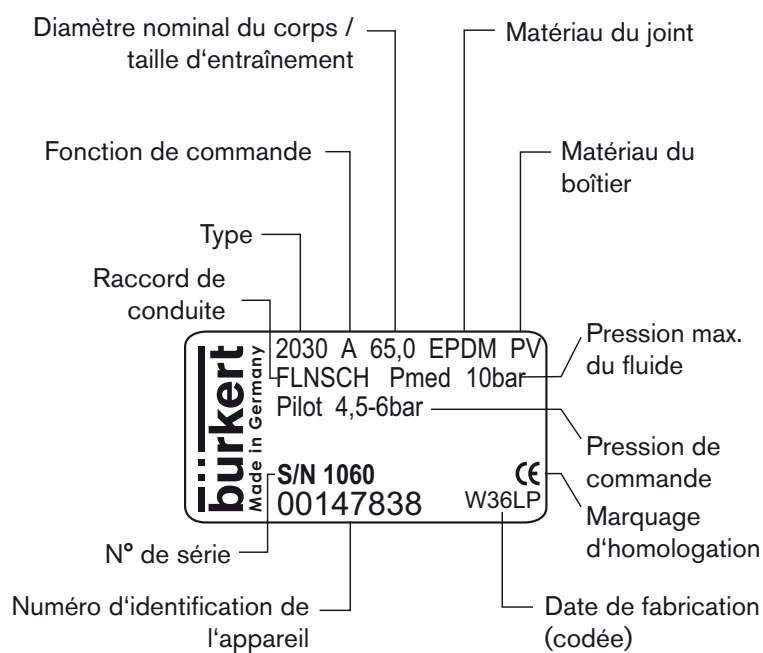


Figure 1 : Plaque signalétique (exemple)

#### 6.1.1. Informations sur la plaque signalétique

Exemple :



## 6.2. Conditions d'exploitation



### AVERTISSEMENT !

Risque d'éclatement en cas de surpression !

Risque de blessures, de brûlures par acide, d'échaudures en cas d'éclatement de l'appareil !

- Ne dépassez pas la pression de commande et de fluide maximale. Respectez les indications sur la plaque signalétique !
- Respectez la température ambiante et du fluide autorisée.

### 6.2.1. Température admissibles

Température ambiante pour les entraînements :

Matériau	Taille $\varnothing$	Température
PA	175 mm 225 mm	-10 ... +50 °C

Tableau 1 : Température ambiante pour les entraînements

Température du fluide pour le boîtier :

Matériau du boîtier	Température
Acier inoxydable	-10 ... +140 °C
PVC (voir diagramme PT)	-10 ... +60 °C
PVDF (voir diagramme PT)	-10 ... +120 °C
PP (voir diagramme PT)	-10 ... +80 °C

Tableau 2 : Température du fluide pour le boîtier

Température du fluide pour les membranes :

Matériau	Température	Remarques
EPDM	-10 ... +130 °C	Stérilisation à la vapeur jusqu'à +150 °C
PTFE		
FKM	-5 ... +130 °C	A sec jusqu'à +150 °C sinon uniquement brièvement jusqu'à 150 °C

Tableau 3 : Température du fluide pour le membranes

### 6.2.2. Pression maximale admissible du fluide

Pression du fluide admissible en fonction de la température de fluide.

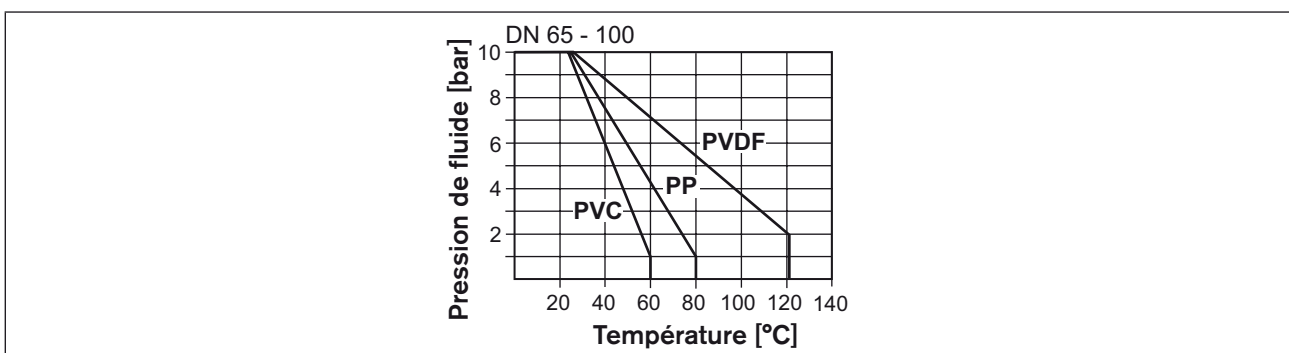


Figure 2 : Diagramme pression de fluide / température de fluide



### Pression de fluide maximale admissible avec la fonction de commande A

Les valeurs sont valables pour des boîtiers en:

- Plastique,
- Acier forgé VA et coulée de précision VA, Bloc VA ainsi que boîtier de déformation de tuyaux VA avec manchon, bride à souder à collerette DIN et raccord soudé selon EN ISO 1127 / ISO 4200

Diamètre nominal [mm]	Taille d'entraînement ø [mm]	Pression de fluide max. sans perte de pression [bar]			
		Pression appliquée d'un côté		Pression appliquée des deux côtés	
		EPDM/FKM	PTFE	EPDM/FKM	PTFE
65	175	10,0	8,5	5,0	4,5
80	175	5,0	4,5	2,5	2,0
	225	10,0	10,0	6,0	4,5
100	225	8,0	4,0	3,5	1,5

Tableau 4 : Pression maximale admissible du fluide CFA

### 6.2.3. Pression de commande



#### AVERTISSEMENT !

##### Risque d'éclatement en cas de surpression !

Risque de blessures, de brûlures par acide, d'échaudures en cas d'éclatement de l'appareil !

- Ne dépassez pas la pression de commande et de fluide maximale. Respectez les indications sur la plaque signalétique !

#### REMARQUE !

##### Dysfonctionnement en cas de pression de commande incorrecte !

Dans le cas des vannes avec force de ressort réduite (donc avec pression de commande inférieure), les indications de la plaque signalétique sont nécessaires. Si vous avez des questions, veuillez contacter votre filiale de distribution Bürkert.

#### Pression de commande admissible\*

Diamètre nominal [mm]	Taille d'entraînement ø [mm]	Pression de commande min. [bar]	Pression de commande max. [bar]
65	175	2	6
80	175	2	6
80	225	2	6
100	225	2	6

Tableau 5 : Pression de commande admissible



\* Respectez la plage de pression admissible selon la plaque signalétique !

**Pression de commande pour la fonction de commande A**

Diamètre nominal DN [mm]	Taille d'entraînement [mm]	Pression de commande [bar] pour la pression de fluide	
		0 bar	maximale
65	175	6	4,5
80	175	6	5,0
80	225	6	5,0
100	225	6	5,0

Tableau 6 : Pression de commande CFA

**6.2.4. Pression de commande minimale**

**Pression de commande minimale nécessaire en fonction de la pression de fluide**

Les valeurs sont valables pour des boîtiers en :

- plastique,
- toutes les variantes avec acier forgé VA, coulée de précision VA et Bloc VA
- boîtier de déformation de tuyaux VA avec manchon, bride à souder à collerette DIN et avec extrémités soudées selon EN ISO 1127 (ISO 4200).

**Fonction de commande B (CFB)**

**REMARQUE !**

**Important pour la durée de vie de la membrane !**

- Ne sélectionnez pas une pression de commande plus grande que cela n'est nécessaire.

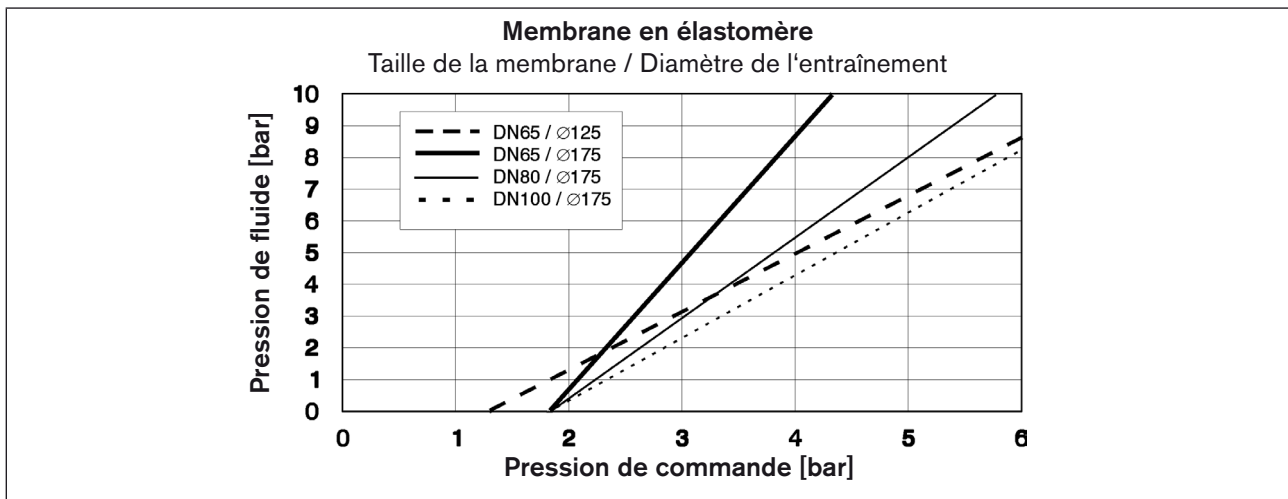


Figure 3 : Fonction de commande B - membrane en élastomère

MAN 1000010234 ML Version: J printed: 18.11.2010 Status: RL (released | freigegeben)

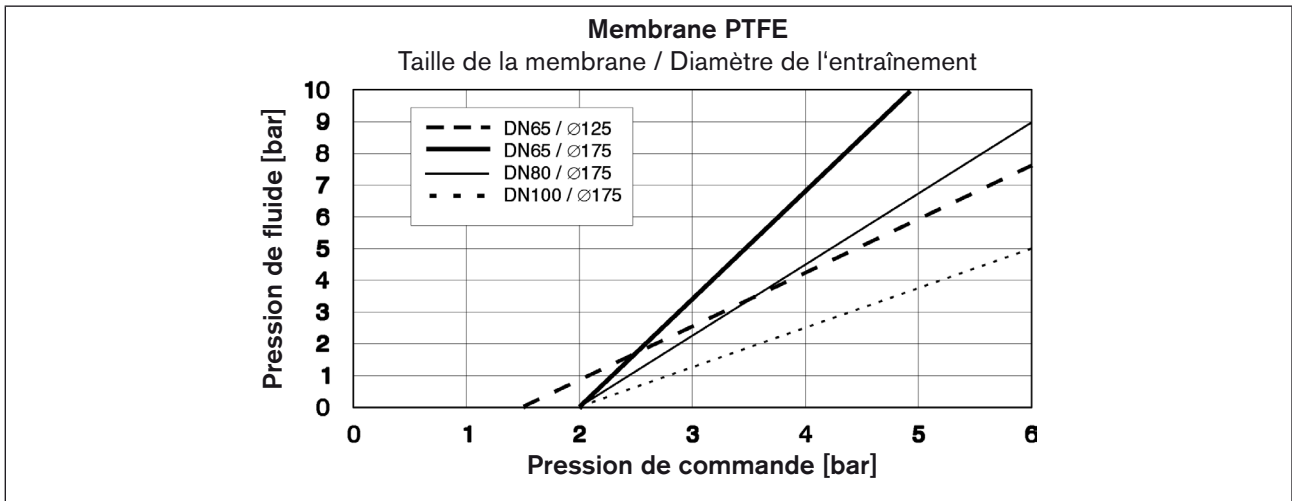


Figure 4 : Fonction de commande B, Membrane PTFE

**Fonction de commande I**

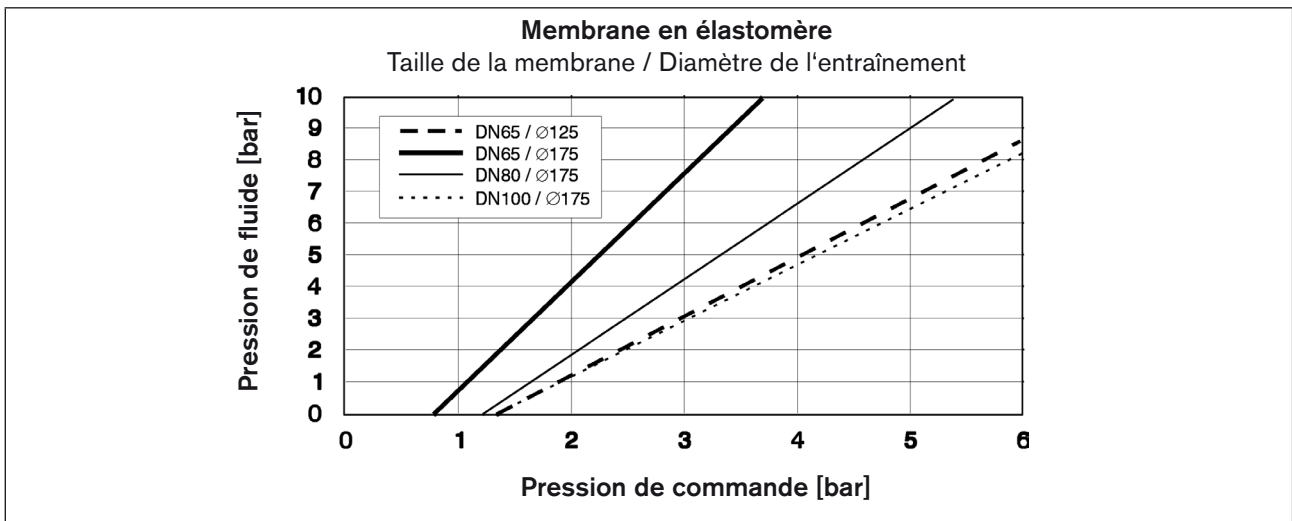


Figure 5 : Fonction de commande I - Membrane en élastomère

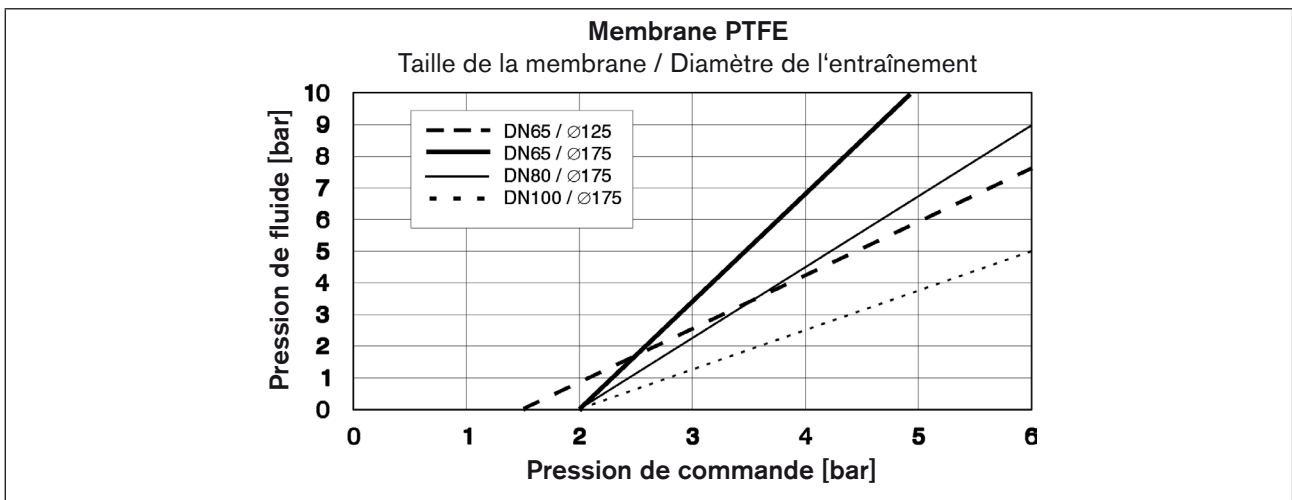


Figure 6 : Fonction de commande I - Membrane PTFE

MAN 1000010234 ML Version: J printed: 18.11.2010 Status: RL (released | freigegeben)

## 6.3. Caractéristiques techniques générales

### Matériaux

#### Boîtier

Type 2030	PP, PVC, PVDF
Type 2031	Acier inoxydable – coulée de précision (VG), acier forgé (VS)
Type 2031 K	Acier inoxydable - boîtier de déformation de tuyaux (VA)
Type 2032, 2033, 2037	Bloc - acier inoxydable

Entraînement PA

Eléments d'étanchéité  
entraînements NBR

Membrane EPDM, PTFE, FKM

### Raccordements

Raccord d'air de commande	G1/4
Raccord de fluide	Raccord soudé : selon DIN EN 1127 (ISO 4200), DIN 11850 R2 autres raccords sur demande

### Fluides

Fluide de commande	gaz neutres, air
Fluides de débit	Type 2030 ; fluides encrassés et agressifs Types 2031, 2031 K, 2032, 2033 et 2037 ; fluides encrassés, agressifs, de pureté élevée, stériles et fluides ayant une viscosité élevée.

### Position de montage

au choix, de préférence entraînement vers le haut  
Vanne de fond de cuve type 2033 : Actionneur vers le bas

## 7. STRUCTURE ET MODE DE FONCTIONNEMENT

### 7.1. Structure

#### 7.1.1. Vanne 2/2 voies Type 2030, 2031 et 2031 K

La vanne à membrane commandée par piston est composée d'un entraînement par piston à commande pneumatique et d'un boîtier de soupape 2/2.

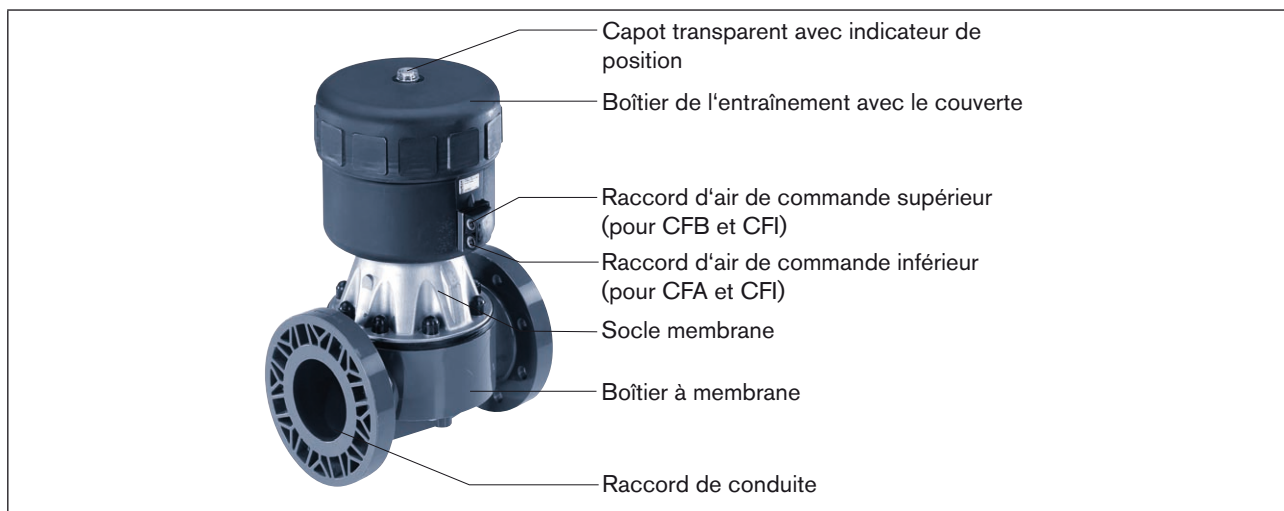


Figure 7 : Structure et description

#### 7.1.2. Vanne T Type 2032

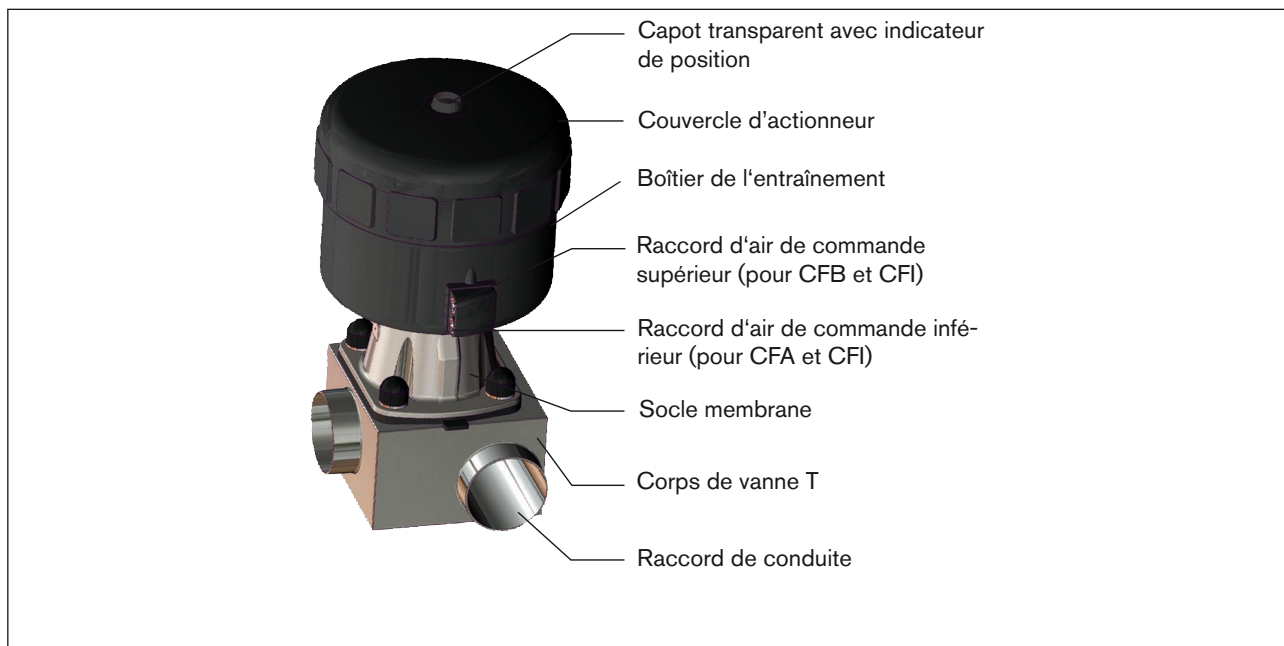


Figure 8 : Structure et description Type 2032

### 7.1.3. Vanne de fond de cuve type 2033

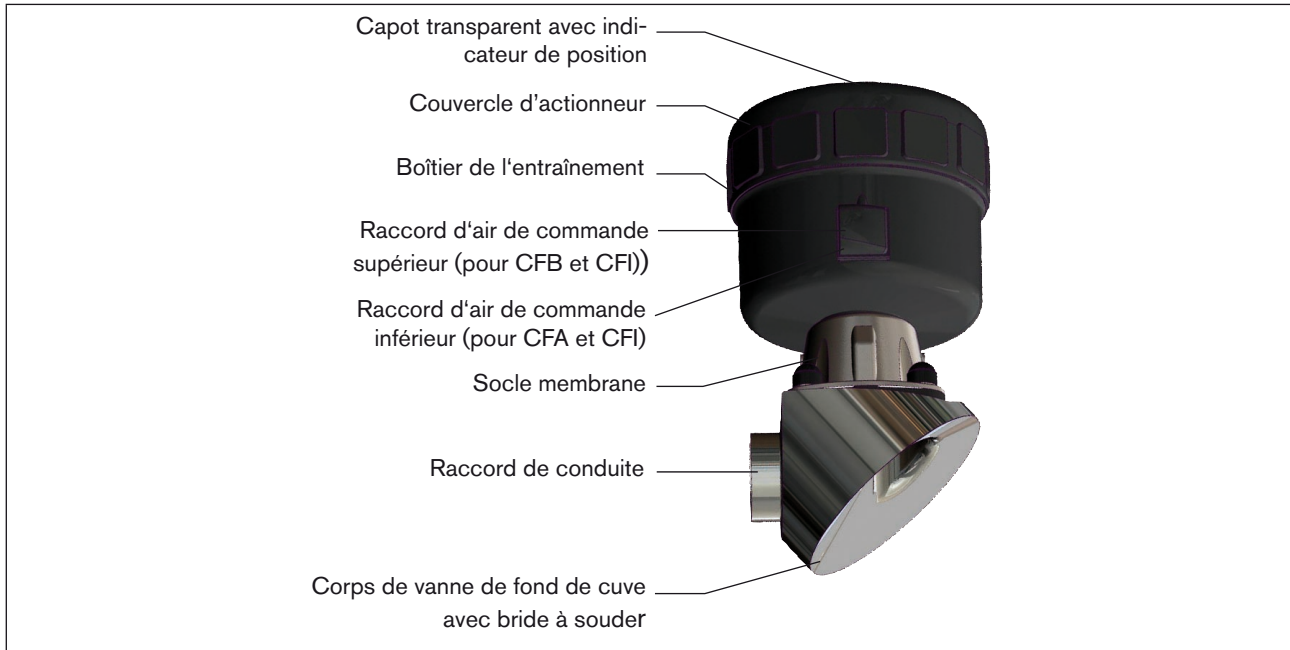


Figure 9 : Structure et description Type 2033

### 7.1.4. Vanne Y type 2037

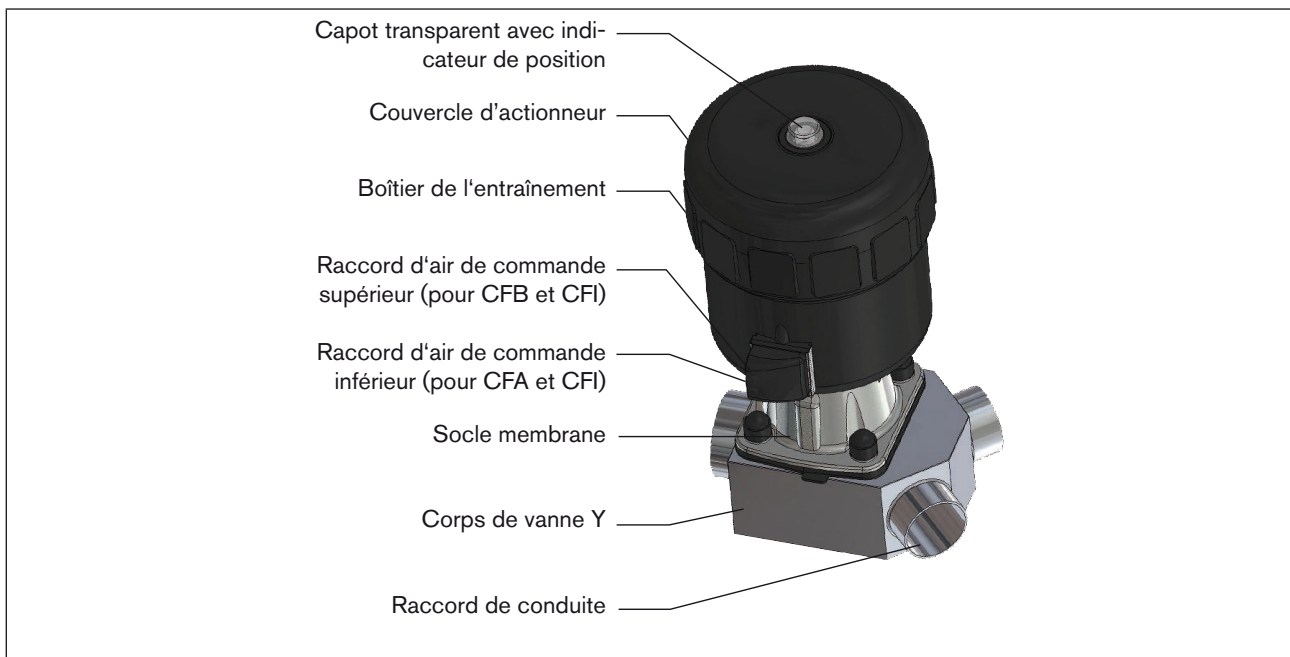


Figure 10 : Structure et description Type 2037

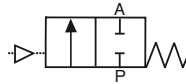
## 7.2. Fonction

L'effet de ressort (CFA) ou la pression de commande pneumatique (CFB et CFI) génère la force de fermeture sur l'élément de pression à membrane. La force est transmise par une broche reliée au piston d'entraînement et la vanne s'ouvre ou se ferme.

### 7.2.1. Fonctions de commande

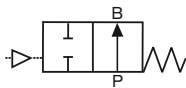
#### Fonction de commande A (CFA)

En position de repos, fermée par ressort



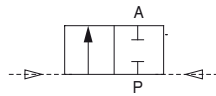
#### Fonction de commande B (CFB)

En position de repos, ouverte par ressort



#### Fonction de commande I (CFI)

Entraînement à double effet sans ressort



## 8. MONTAGE

### 8.1. Consignes de sécurité



#### **DANGER !**

##### **Risque de blessures dû à la présence de haute pression dans l'installation !**

- Avant de desserrer les conduites et les vannes, coupez la pression et purgez l'air des conduites.

##### **Risque de choc électrique !**

- Avant d'intervenir dans l'appareil ou l'installation, coupez la tension et empêchez toute remise sous tension par inadvertance !
- Veuillez respecter les réglementations en vigueur pour les appareils électriques en matière de prévention des accidents ainsi qu'en matière de sécurité !



#### **AVERTISSEMENT !**

##### **Risque de blessures dû à un montage non conforme !**

- Le montage doit être effectué uniquement par un personnel qualifié et habilité disposant de l'outillage approprié !

##### **Risque de blessures dû à la mise en marche involontaire de l'installation et le redémarrage non contrôlé !**

- Empêchez tout actionnement involontaire de l'installation.
- Garantisiez un redémarrage contrôlé après le montage.

### 8.2. Avant le montage

- Avant de raccorder la vanne, veillez à ce que les tuyauteries soient correctement alignées.
- Le sens de débit est indifférent.

#### 8.2.1. Position de montage de la vanne 2/2 voies

- La position de montage de la vanne à membrane commandée par piston est au choix, de préférence entraînement vers le haut.

##### **Montage pour permettre au boîtier de se vider automatiquement**



L'installateur et l'exploitant sont responsables du vidage automatique.

Pour que le boîtier se vide automatiquement :

- Montez le boîtier avec un angle d'inclinaison  $\alpha = 10^\circ$  à  $40^\circ$  par rapport à l'horizontale (voir *Figure 11 : Montage pour permettre au boîtier de se vider automatiquement*).
- Respecter un angle d'inclinaison de  $3^\circ - 5^\circ$ . Les boîtiers forgés et coulés présentent pour cela un marquage qui doit être dirigé vers le haut (position 12 heures).
- L'alésage (dans le socle de l'entraînement) pour la surveillance des fuites doit se trouver au point le plus bas.



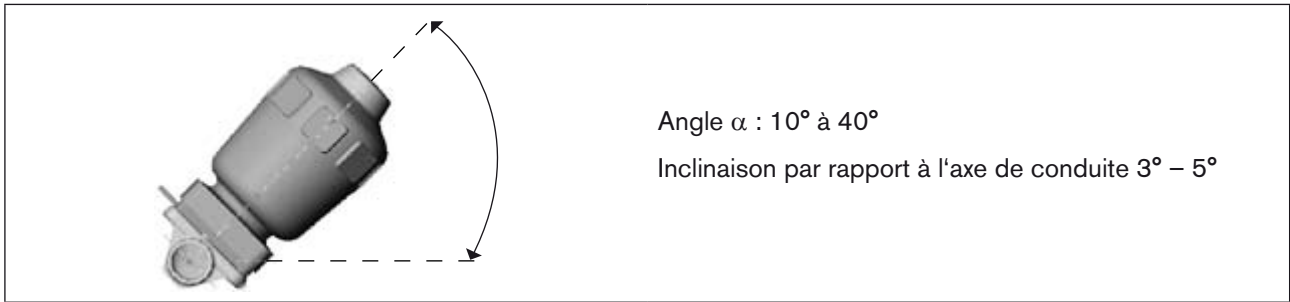


Figure 11 : Montage pour permettre au boîtier de se vider automatiquement

### 8.2.2. Position de montage vanne T type 2032

Les positions de montage suivantes sont recommandées pour les vannes T dans des conduites en boucle :

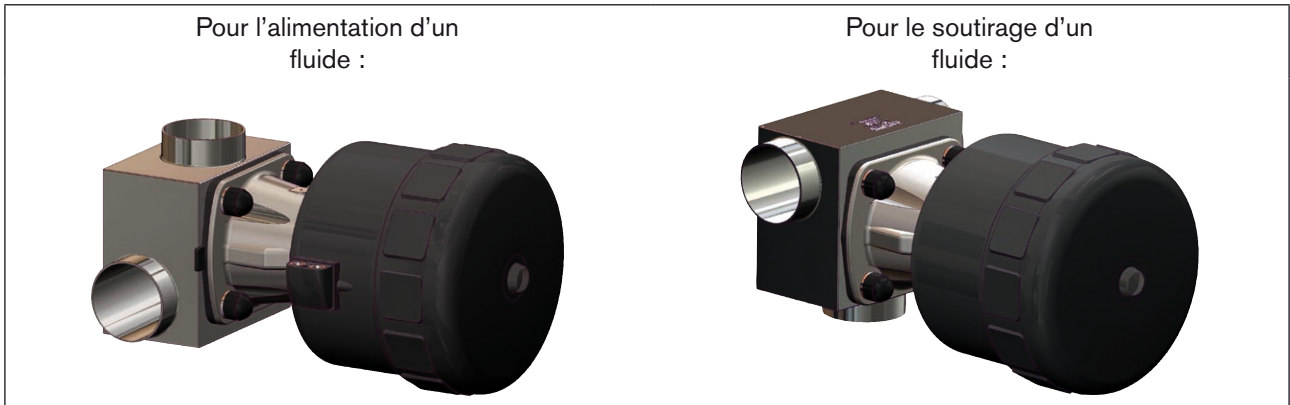


Figure 12 : Position de montage du type 2032

### 8.2.3. Position de montage vanne Y type 2037

Les positions de montage suivantes sont recommandées pour les vannes Y dans des installations :

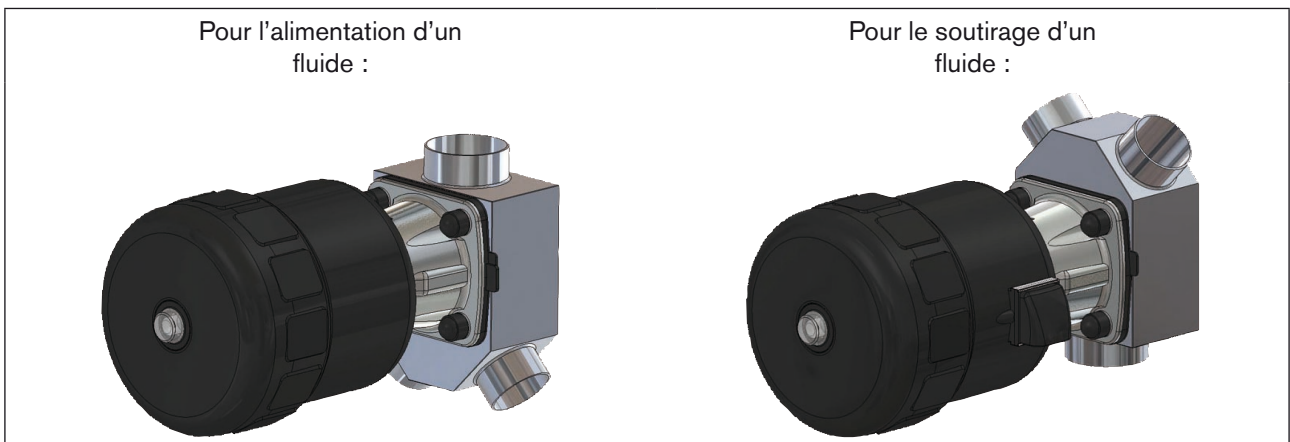


Figure 13 : Position de montage du type 2037

## 8.2.4. Montage de la vanne de fond de cuve type 2033



Veillez vous référer à la norme ASME VIII, section I pour obtenir des informations sur les cuves et les instructions de soudage.



Il est recommandé de souder la vanne avant d'installer la cuve. Cependant, il est possible de souder les vannes sur des cuves prémontées.

### Avant de souder, s'assurer que :

- La vanne de fond de cuve ne peut entrer en collision avec une autre partie de l'équipement et que le montage et le démontage de l'actionneur restent possibles.
- La distance minimale entre deux points de soudage égale à 3 fois l'épaisseur de la paroi de la cuve est respectée.



Il est recommandé de souder la vanne au centre de l'évacuation pour garantir une vidange optimale de la cuve.

Le diamètre du trou dans la cuve et celui de la bride doivent être identiques. La vanne est dotée de deux chanfreins pour faciliter le soudage et le positionnement de la vanne. La longueur des chanfreins est d'environ 3 mm. Si l'épaisseur de la paroi de cuve est supérieure à 3 mm, il convient de positionner la vanne comme le représente la *Figure 14* :

→ Meuler la paroi de l'évacuation avant de souder la vanne.

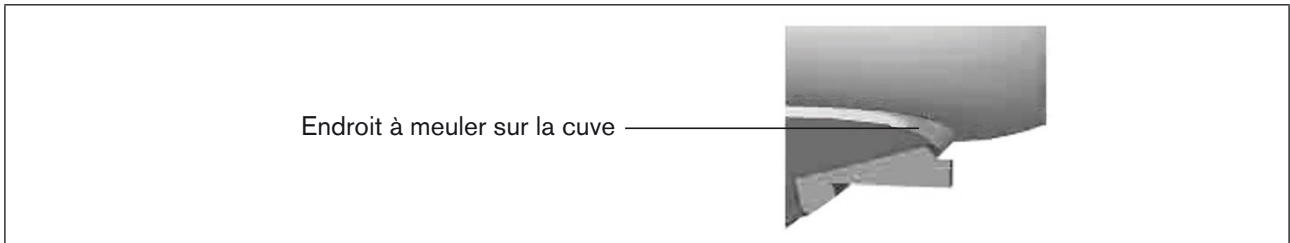


Figure 14 : Endroit à meuler sur la cuve



Vérifier le numéro de charge indiqué sur le certificat 3.1.B fourni par le fabricant avant de procéder au soudage.

### Procédure à suivre :

- Positionner la bride dans le trou de sorte que la surface de la bride soit tangentielle à celle de l'évacuation.
- Réaliser 4 points de soudure et contrôler la position de la vanne.
- Souder la vanne de façon régulière à l'intérieur et à l'extérieur de la cuve en assurant l'alimentation de gaz et de matériau de soudage compatible avec l'acier inoxydable 316L (DIN 1.4435) de la vanne.
- Laisser refroidir les soudures avant de les polir et de les nettoyer conformément aux spécifications en vigueur.

Ces instructions facilitent le montage des vannes de fond de cuve et permettent d'éviter les déformations et les détentes à l'intérieur de la cuve.



Veillez respecter les lois en vigueur dans le pays en ce qui concerne la qualification des soudeurs et le soudage.

### 8.2.5. Travaux préparatoires

→ Nettoyez les tuyauteries (matériau d'étanchéité, copeaux de métal, etc.).

→ Soutenez et alignez les tuyauteries.

**Appareils avec boîtier soudé :**



Avant le soudage du boîtier, il est nécessaire de démonter l'entraînement et la membrane.

### 8.3. Montage



En cas de montage dans un environnement agressif, nous recommandons de conduire l'ensemble des raccords pneumatiques libres dans une atmosphère neutre à l'aide d'un tuyau pneumatique.



#### **AVERTISSEMENT!**

**Risque de blessures dû à un montage non conforme !**

Le non-respect du couple de serrage est dangereux du fait de l'endommagement possible de l'appareil.

- Respectez le couple de serrage lors du montage (voir *Tableau 7 : Couples de serrage pour les membranes*).

#### 8.3.1. Appareils avec boîtier soudé

##### **REMARQUE !**



**Pour éviter les dommages !**

Avant le soudage du boîtier (justement boîtier soudé), il est nécessaire de démonter l'entraînement et la membrane.

**Retirez l'entraînement et la membrane du boîtier :**

##### **Procédure à suivre pour la fonction de commande A**

→ Appliquez de l'air comprimé sur le raccord d'air de commande (valeur indiquée sur la plaque signalétique) (voir *Figure 15 : Raccord d'air de commande*).

Cela est nécessaire pour que la membrane se détache du boîtier sans être endommagée.

→ Desserrez les vis de fixation en croix et retirez l'entraînement avec la membrane du boîtier.

→ Soudez ou collez le boîtier dans la tuyauterie.

##### **Procédure à suivre pour les fonctions de commande B et I**

→ Desserrez les vis de fixation en croix et retirez l'entraînement avec la membrane du boîtier.

→ Soudez ou collez le boîtier dans la tuyauterie.

**Montez l'entraînement et la membrane sur le boîtier :**

→ Après le soudage ou le collage du boîtier, meuler la surface du boîtier jusqu'à ce qu'elle soit lisse si cela est nécessaire.

→ Nettoyez minutieusement le boîtier.

### Procédure à suivre pour la fonction de commande A

- Appliquez de l'air comprimé sur le raccord d'air de commande (valeur indiquée sur la plaque signalétique) (voir *Figure 15 :Raccord d'air de commande*).
- Placez l'entraînement sur le boîtier.
- Serrez légèrement les vis du boîtier en croix, jusqu'à ce que la membrane soit en contact entre le boîtier et l'entraînement. **Ne serrez pas encore les vis à fond.**
- Activez deux fois la vanne à membrane pour garantir que la membrane soit bien en place.
- Serrez les vis du boîtier jusqu'au couple de serrage admissible sans appliquer de pression (voir *Tableau 7 :Couples de serrage pour les membranes*).
- Appliquez de l'air comprimé sur le raccord inférieur d'air de commande (valeur indiquée sur la plaque signalétique).
- Contrôlez une nouvelle fois le couple de serrage des vis.

### Procédure à suivre pour entraînement avec fonctions de commande B et I :

- Placez l'entraînement sur le boîtier.
- Serrez légèrement les vis du boîtier en croix sans appliquer de pression, jusqu'à ce que la membrane soit en contact entre le boîtier et l'entraînement.  
**Ne serrez pas encore les vis à fond.**
- Appliquez de l'air comprimé sur le raccord supérieur d'air de commande (valeur indiquée sur la plaque signalétique) (voir *Figure 15 :Raccord d'air de commande*).
- Activez la vanne à membrane deux fois.
- Serrez les vis du boîtier jusqu'au couple de serrage admissible (voir *Tableau 7 :Couples de serrage pour les membranes*)

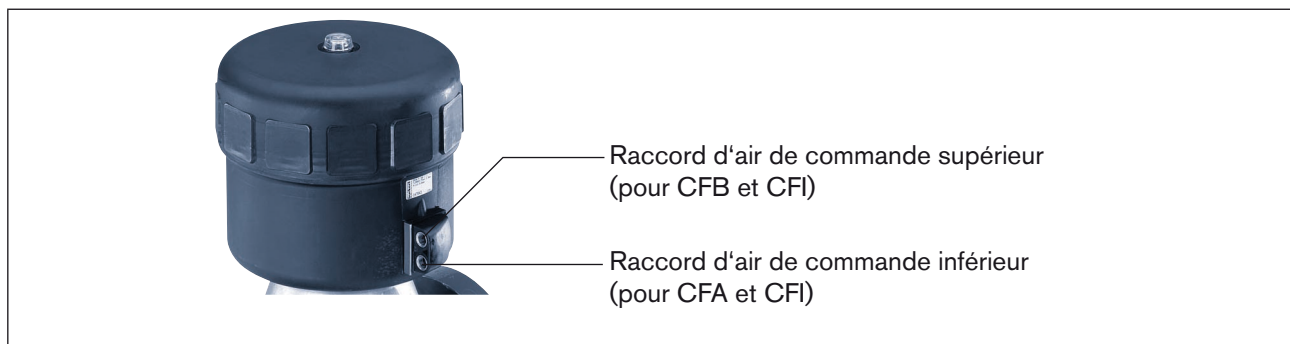


Figure 15 : Raccord d'air de commande

### Moment de serrage pour boîtier en plastique, boîtier tubulaire VA (VA) et boîtier forgé

DN	Moment de serrage [Nm] (Valeurs indicatives)	
	Membrane élastomère	PTFE-Membrane
65	20	30
80	30	40
100	40	50

Tableau 7 : Couples de serrage pour les membranes

### Insert VA (uniquement pour les appareils sans membrane ni boîtier)

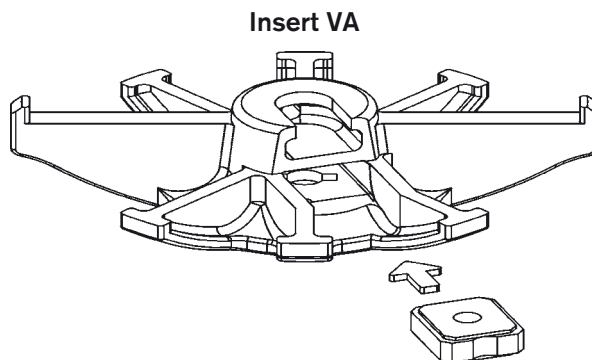
Si vous avez commandé et reçu un appareil sans membrane ni boîtier, cet insert VA (réf. 648 864) est joint à la livraison.

#### Utilisation d'une membrane EPDM/FKM:

→ A la pose de l'appareil avec membrane élastomère (EPDM;/FKM) insérez cet insert VA dans la rainure de la pièce de pression.

#### Utilisation d'une membrane PTFE:

→ En cas d'utilisation d'une membrane PTFE, cet insert n'est pas nécessaire.



## 8.3.2. Raccordement du fluide de commande

#### Fonction de commande A :

→ Raccordez le fluide de commande au niveau du raccord inférieur.

#### Fonction de commande B :

→ Raccordez le fluide de commande au niveau du raccord supérieur.

#### Fonction de commande I :

→ Raccordez le fluide de commande au niveau des raccords supérieur et inférieur. (voir Figure 16 : Raccordement pneumatique)

→ La pression au niveau du raccord supérieur ferme la vanne.

→ La pression au niveau du raccord inférieur ouvre la vanne.

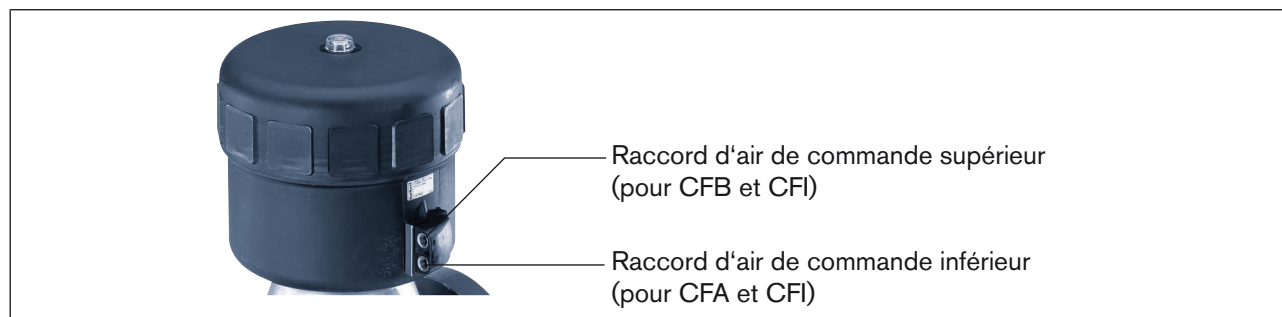


Figure 16 : Raccordement pneumatique

#### Tuyau flexible d'air de commande :

Il est possible d'utiliser des tuyaux flexibles d'air de commande des tailles 6/4 mm resp. 1/4".

## 8.4. Démontage



### **DANGER !**

#### **Risque de blessures en cas d'échappement de fluide (acide, soude, fluides brûlants) !**

Le démontage de l'appareil sous pression est dangereux du fait de la décharge de pression ou de la sortie de fluide soudaine.

- Avant le démontage, coupez la pression et purgez l'air des conduites.
- Videz entièrement les conduites.



Le remplacement de la membrane est décrit au chapitre *11.Maintenance*.

## 9. RACCORDEMENT ÉLECTRIQUE



Le raccordement électrique est décrit dans les instructions de service de la vanne pilote.



Respectez la tension et le type de courant selon la plaque signalétique.  
(Tolérance de tension  $\pm 10\%$ ) !

## 10. MAINTENANCE, NETTOYAGE

### 10.1. Consignes de sécurité



#### **DANGER !**

##### **Risque de blessures dû à la présence de haute pression dans l'installation !**

- Avant de desserrer les conduites et les vannes, coupez la pression et purgez l'air des conduites.

##### **Risque de choc électrique !**

- Avant d'intervenir dans le système, coupez la tension et empêchez toute remise sous tension par inadvertance !
- Veuillez respecter les réglementations en vigueur pour les appareils électriques en matière de prévention des accidents ainsi qu'en matière de sécurité !



#### **AVERTISSEMENT !**

##### **Risque de blessures dû à des travaux d'entretien non conformes !**

- Le montage doit être effectué uniquement par un personnel qualifié et habilité disposant de l'outillage approprié !

##### **Risque de blessures dû à la mise en marche involontaire de l'installation et le redémarrage non contrôlé !**

- Empêchez tout actionnement involontaire de l'installation.
- Garantisiez un redémarrage contrôlé après l'entretien.

### 10.2. Travaux d'entretien

#### 10.2.1. Entraînement

A condition de respecter les consignes de ces instructions de service, l'entraînement de la vanne à membrane ne nécessite aucun entretien.

#### 10.2.2. Pièces d'usure de la vanne à membrane

Les pièces soumises à une usure naturelle sont les suivantes :

- Joints,
- Membrane,

→ En cas de fuites, remplacez la pièce d'usure concernée par une pièce de rechange correspondante.  
(voir chapitre 13. Pièces de rechange).



Une membrane PTFE déformée peut entraîner une réduction du débit.



### 10.2.3. Intervalles de contrôle

→ Contrôlez l'usure de la membrane après  $10^5$  cycles de commutation.



Les fluides boueux et abrasifs exigent des intervalles de contrôle plus rapprochés !

### 10.2.4. Durée de vie de la membrane

La durée de vie de la membrane dépend des facteurs suivants :

- Matériau de la membrane,
- Fluide,
- Pression du fluide,
- Température du fluide,
- Taille d'entraînement,
- Pression de commande pour CFB et CFI.

#### Préservation de la membrane

- Pour CFA, adaptez la taille d'entraînement (force d'entraînement) à la pression de fluide à commander. Le cas échéant, sélectionnez l'entraînement avec force de ressort EC04 réduite.
- Pour CFB et CFI, dans la mesure du possible ne sélectionnez pas la pression de commande à un niveau plus élevé que nécessaire à la commande de la pression du fluide.

### 10.2.5. Nettoyage

Pour nettoyer l'extérieur, des produits de nettoyage courants peuvent être utilisés.

#### REMARQUE !

**Évitez les dommages dus aux produits de nettoyage.**

- Vérifiez la compatibilité des produits avec les matériaux du boîtier et les joints avant d'effectuer le nettoyage.

## 11. MAINTENANCE

### 11.1. Consignes de sécurité

#### DANGER !

##### Risque de blessures dû à la présence de haute pression dans l'installation !

- Avant de desserrer les conduites et les vannes, coupez la pression et purgez l'air des conduites.

##### Risque de choc électrique !

- Avant d'intervenir dans le système, coupez la tension et empêchez toute remise sous tension par inadvertance !
- Veuillez respecter les réglementations en vigueur pour les appareils électriques en matière de prévention des accidents ainsi qu'en matière de sécurité !

#### AVERTISSEMENT !

##### Risque de blessures dû à une maintenance non conforme !

- Le montage doit être effectué uniquement par un personnel qualifié et habilité disposant de l'outillage approprié.
- Les couples de serrage doivent être respectés.
- Après les travaux, contrôlez l'étanchéité et le fonctionnement de la vanne.

##### Risque de blessures dû à la mise en marche involontaire de l'installation et le redémarrage non contrôlé !

- Empêchez tout actionnement involontaire de l'installation.
- Garantisiez un redémarrage contrôlé après l'entretien.

### 11.2. Remplacement de la membrane

#### DANGER !

##### Risque de blessures en cas d'échappement de fluide (acide, soude, fluides brûlants) !

Le démontage de l'appareil sous pression est dangereux du fait de la décharge de pression ou de la sortie de fluide soudaine.

- Avant le démontage, coupez la pression et purgez l'air des conduites et videz entièrement les conduites.
- Démontage et Montage voir 8.3.1..

#### Pièce de rechange nécessaire

- Membrane

#### Types de fixation

DN	Types de fixation pour membranes	
	PTFE	EPDM / FKM
65	Membrane à fermeture à baïonnette	Membrane vissée
80		
100		

Tableau 8 : Types de fixation pour membranes

Exemple:

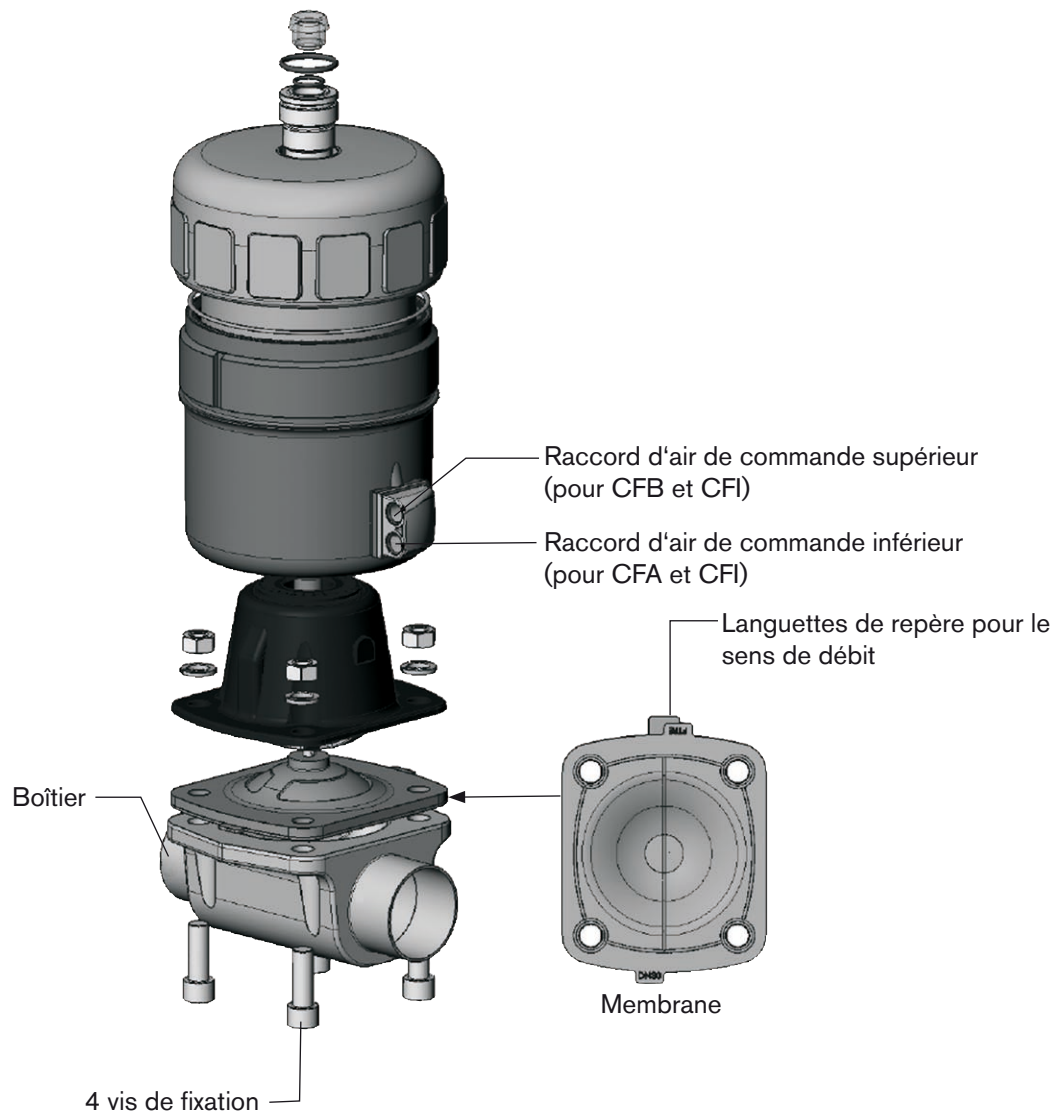


Figure 17 : Remplacement de la membrane

### Remplacement de la membrane dans le cas de la fonction de commande A

- Serrez le boîtier de soupape dans un dispositif de maintien.  
(uniquement valable pour les vannes pas encore montées).
- Appliquez de l'air comprimé (valeur indiquée sur la plaque signalétique) sur le raccord d'air de commande inférieur (voir *Figure 18 : Raccord d'air de commande*).  
Cela est nécessaire pour que la membrane se détache du boîtier sans être endommagée.
- Desserrez les vis de fixation en croix et retirez l'entraînement avec la membrane du boîtier.
- Dévissez ou déclipsez l'ancienne membrane. En cas de fixation avec fermeture à baïonnette, desserrez la membrane en la tournant de 90° (voir *Tableau 8 : Types de fixation pour membranes*).
- Montez une membrane neuve sur l'entraînement (voir *Tableau 8 : Types de fixation pour membranes*).

→ Alignez la membrane.

**Respectez les languettes de repère pour le sens de débit !**

→ Remettez l'entraînement en place sur le boîtier.

→ Serrez légèrement les vis du boîtier en croix, jusqu'à ce que la membrane soit en contact entre le boîtier et l'entraînement.

**Ne serrez pas encore les vis à fond.**

→ Activez deux fois la vanne à membrane pour garantir que la membrane soit bien en place.

→ Serrez les vis du boîtier jusqu'au couple de serrage admissible sans appliquer de pression (voir *Tableau 7 : Couples de serrage pour les membranes*).

→ Appliquez de l'air comprimé sur le raccord d'air de commande (valeur indiquée sur la plaque signalétique).

→ Contrôlez une nouvelle fois le couple de serrage des vis.

### Remplacement de la membrane pour les fonctions de commande B et I

→ Serrez le boîtier de soupape dans un dispositif de maintien.  
(uniquement valable pour les vannes pas encore montées).

→ Desserrez les vis de fixation en croix et retirez l'entraînement avec la membrane du boîtier.

→ Déclipsez ou dévissez l'ancienne membrane. En cas de fixation avec fermeture à baïonnette, desserrez la membrane en la tournant de 90° (voir *Tableau 8 : Types de fixation pour membranes*).

→ Montez une membrane neuve sur l'entraînement (voir *Tableau 8 : Types de fixation pour membranes*).

→ Alignez la membrane.

**Respectez les languettes de repère pour le sens de débit !**

→ Remettez l'entraînement en place sur le boîtier.

→ Serrez légèrement les vis du boîtier en croix sans appliquer de pression, jusqu'à ce que la membrane soit en contact entre le boîtier et l'entraînement.

**Ne serrez pas encore les vis à fond.**

→ Appliquez de l'air comprimé sur le raccord supérieur d'air de commande (valeur indiquée sur la plaque signalétique) (voir *Figure 15 : Raccord d'air de commande*).

→ Activez la vanne à membrane deux fois.

→ Serrez les vis du boîtier jusqu'au couple de serrage admissible (voir *Tableau 7 : Couples de serrage pour les membranes*).

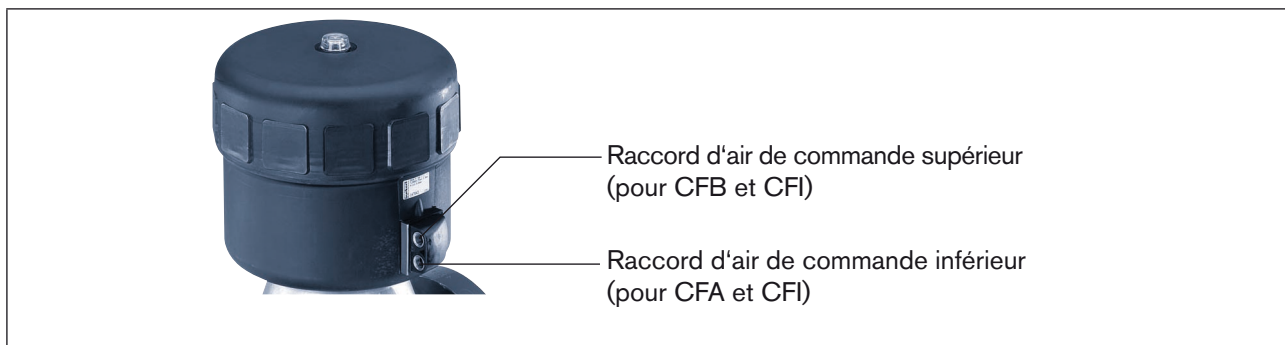


Figure 18 : Raccord d'air de commande

## 12. PANNES

Panne	Cause/Dépannage
L'entraînement ne commute pas	Raccord de commande inversé* CFA : → Raccordez le raccord de commande en bas CFB : → Raccordez le raccord de commande en haut CFI → Raccord de commande en haut : fermeture Raccord de commande en bas : ouverture * voir Figure 16 : Raccordement pneumatique
	Pression de commande trop faible → Voir pression indiquée sur la plaque signalétique.
	Pression du fluide trop élevée → Voir pression indiquée sur la plaque signalétique.
La vanne n'est pas étanche	Pression du fluide trop élevée → Voir pression indiquée sur la plaque signalétique.
	Pression de commande trop faible → Voir pression indiquée sur la plaque signalétique.
Le débit diminue	La membrane PTFE est déformée → Remplacer la membrane.

## 13. PIÈCES DE RECHANGE



### AVERTISSEMENT !

#### Risque de blessures à l'ouverture du boîtier de l'entraînement !

L'entraînement contient un ressort tendu. Il y a risque de blessures à l'ouverture du boîtier à cause de la sortie du ressort !

- Ouvrez prudemment le boîtier d'entraînement et maintenez-le de sorte que les pièces éventuellement projetées ne puissent pas être à l'origine de blessures ou de dommages.



### ATTENTION !

#### Risque de blessures, de dommages matériels dus à de mauvaises pièces !

De mauvais accessoires ou des pièces de rechange inadaptées peuvent provoquer des blessures et endommager l'appareil ou son environnement.

- Utilisez uniquement des accessoires ainsi que des pièces de rechange d'origine de la société Bürkert.

Pièces de rechange disponibles pour les vannes à membrane commandées par piston de type 2030, 2031, 2031 K, 2032, 2033 et 2037 :

- Jeu de joints pour l'entraînement
- Membrane

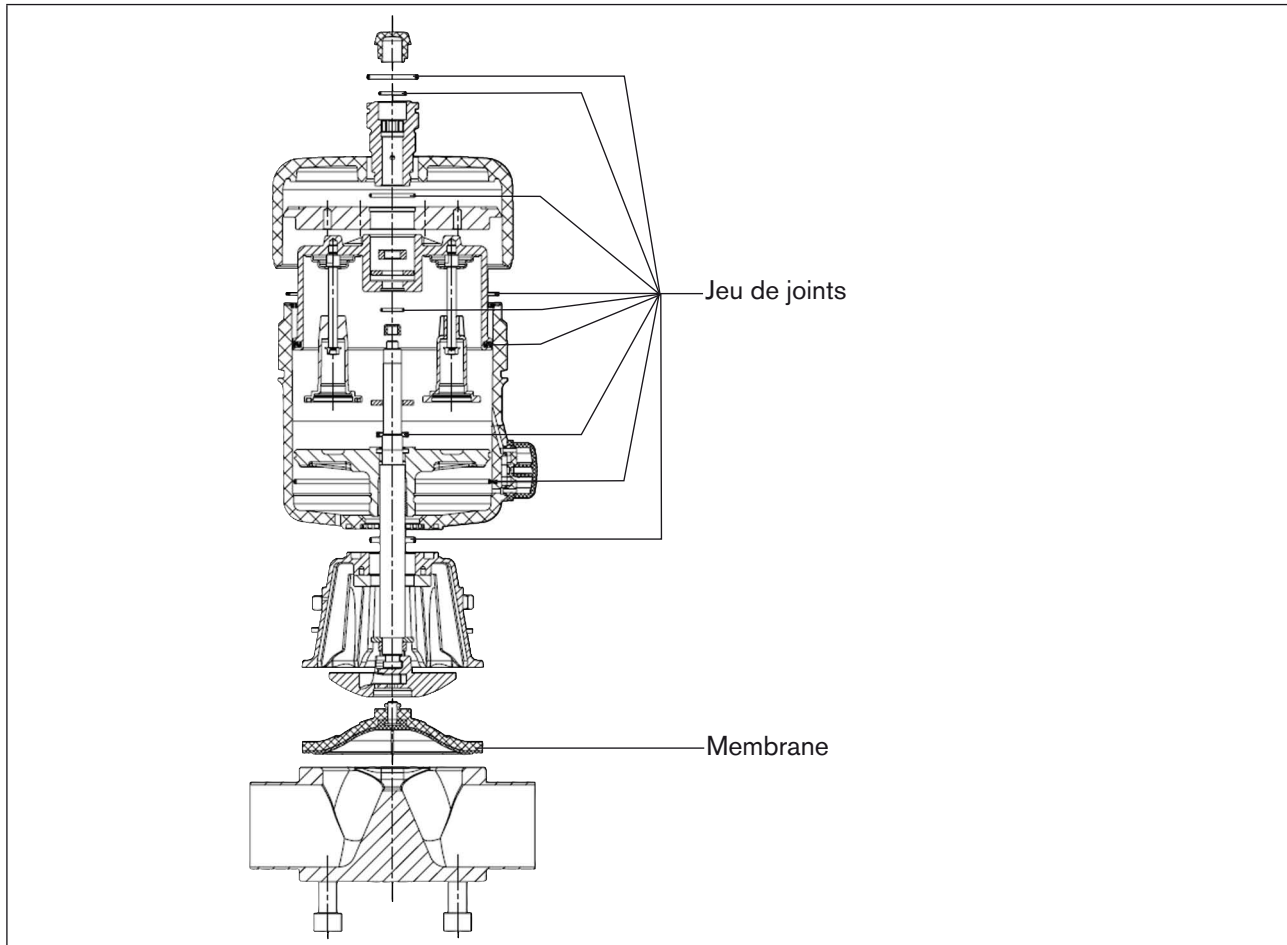


Figure 19 : Pièces de rechange

### 13.1. Tableau de commande de pièces

Entraînement	DN [mm]	Références de commande des jeux de joints
175	65, 80, 100	181 802
225	80, 100	186 775

Tableau 9 : Références de commande des jeux de joints

DN	Références pour membranes		
	EPDM	FKM	PTFE
65	677 671	677 691	677 681
80	650 082	650 083	650 087
100	650 084	650 085	650 088

Tableau 10 : Références pour membranes

Vous trouverez la fiche technique et d'autres informations du type sur Internet sous :



[www.buerkert.fr](http://www.buerkert.fr) → Fiches techniques → Type 2030, 2031, 2031 K, 2032, 2033, 2037

Si vous avez des questions, veuillez contacter votre filiale de distribution Bürkert.

## 14. EMBALLAGE, TRANSPORT

### REMARQUE !

#### Dommages dus au transport !

Les appareils insuffisamment protégés peuvent être endommagés pendant le transport.

- Transportez l'appareil à l'abri de l'humidité et des impuretés et dans un emballage résistant aux chocs.
- Evitez le dépassement vers le haut ou le bas de la température de stockage admissible.
- Protégez les interfaces électriques de la bobine et les raccords pneumatiques avec des capuchons de protection pour éviter tout endommagement.

## 15. STOCKAGE

### REMARQUE !

#### Un mauvais stockage peut endommager l'appareil.

- En cas de stockage prolongé, desserrez les vis du boîtier pour éviter toute déformation de la membrane.
- Pour des raisons de sécurité, il est nécessaire de marquer les vis desserrées !
- Stockez l'appareil au sec et à l'abri des poussières !
- Température de stockage : -40 – 55 °C.



### DANGER !

**Risque de blessures lors du remontage. Echappement de fluide par les vis dévissées du boîtier (acide, soude, fluides brûlants) !**

Avant le remontage des vannes, il est nécessaire de s'assurer que les vis du boîtier sont serrées correctement.

- Contrôlez le couple de serrage des vis du boîtier avant le remontage.



## 16. ÉLIMINATION

→ Éliminez l'appareil et l'emballage dans le respect de l'environnement.

### REMARQUE !

#### **Domages à l'environnement causés par des pièces d'appareil contaminées par des fluides.**

- Respectez les prescriptions en matière d'élimination des déchets et de protection de l'environnement en vigueur.
- Respectez les prescriptions nationales en matière d'élimination des déchets.



