

FINE CONTROLS (UK) LTD



Fine Controls have been supplying process controls & instrumentation equipment since 1994, & now serves an ever expanding customer base, both in the UK & globally.

We offer a full range of valve & instrumentation products & services, with our product range representing leading technologies & brands:

Flow: Flow Meters & Transmitters, Flow Switches, Flow Control Valves & Batch Control Systems

Temperature: Temperature Probes & Thermowells, Temperature transmitters, Temperature Regulators & Temperature Displays

Level: Level Transmitters & Switches

Pressure: Pressure Gauges & Transmitters, Precision & High Pressure Regulators & I-P Converters, Volume boosters.

Precision Pneumatics: Pressure Regulators, I-P Converters, Volume Boosters, Vacuum Regulators

Valves: Solenoid & Pneumatic Valves, Control Valves & Positioners, Actuated Ball, Globe or Diaphragm Valves & Isolation Valves

Services: Repair, Calibration, Panel Build, System Design & Commissioning

A rotork® Brand
FAIRCHILD



bürkert



SIEMENS



alcon
SOLENOID VALVES

A rotork® Brand



MIDLAND-ACS
A rotork® Brand



Honeywell



Bourdon
Baumer Group



SOLDO
CONTROLS

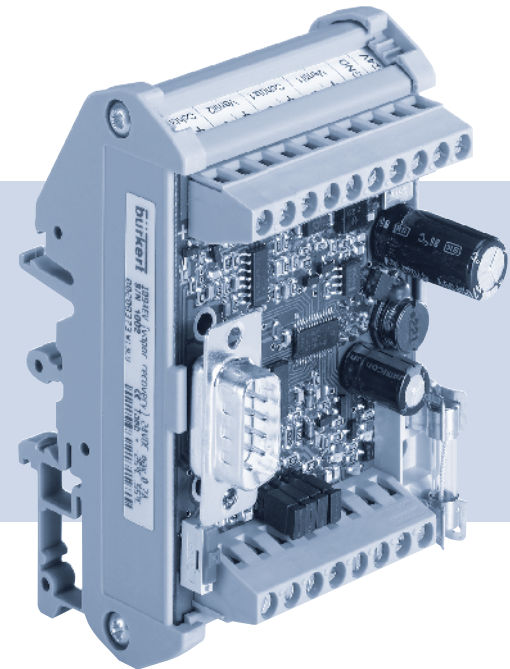
A rotork® Brand



Fine Controls (UK) LTD, Bassendale Road, Croft Business Park,
Bromborough, Wirral, CH62 3QL UK
Tel: 0151 343 9966
Email: sales@finecontrols.com

Type 1094 EV

Electronic controller for vapor recovery
Elektronische Steuerung zur Gasrückführung
Commande électronique pour la recirculation des gaz



Operating Instructions

Bedienungsanleitung
Manuel d'utilisation

We reserve the right to make technical changes without notice.
Technische Änderungen vorbehalten.
Sous réserve de modification techniques.

© 2009 Bürkert Werke GmbH & Co. KG

Operating Instructions 0907/00_EU-ML_00805985

Electronic controller for vapor recovery Type 1094 EV

Contents:

1. OPERATING INSTRUCTIONS	5	6. TECHNICAL DATA	12
1.1. Symbols	5	6.1. Operating Conditions.....	12
2. AUTHORIZED USE	6	6.2. Conformity with the following standards	12
2.1. Restrictions	6	6.3. General Technical Data.....	12
2.2. Predictable Misuse.....	6	6.4. Electrical Data.....	13
3. BASIC SAFETY INSTRUCTIONS.....	7	6.5. Pin assignment.....	13
4. GENERAL INFORMATION	8	7. INSTALLATION	18
4.1. Scope of Supply	8	7.1. Important documents	18
4.2. Contact Addresses.....	8	7.2. Installation	18
4.3. Warranty	9	8. OPERATION AND FUNCTION.....	20
4.4. Information on the Internet.....	9	8.1. Safety instructions.....	20
5. SYSTEM DESCRIPTION.....	9	8.2. Display elements.....	20
5.1. General description of the application area.....	9	8.3. Fuses	22
5.2. The principle of vapor recovery.....	9	8.4. Adjustment and operation of the controller	23
5.3. The mode of operation of the electronic controller	10	9. MAINTENANCE.....	25
5.4. Mode of operation of a gasoline pump with vapor recovery.....	10	10. ACCESSORIES	26

11. PACKAGING, TRANSPORT, 26

12. STORAGE..... 27

13. DISPOSAL 27

1. OPERATING INSTRUCTIONS

The operating instructions describe the entire life cycle of the device. Keep these instructions in a location, which is easily accessible to every user, and make these instructions available to every new owner of the device.

The operating instructions contain important safety information!

Failure to observe these instructions may result in hazardous situations.

- The operating instructions must be read and understood.

1.1. Symbols



DANGER!

Warns of an immediate danger!

- Failure to observe the warning will result in a fatal or serious injury.



WARNING!

Warns of a potentially dangerous situation!

- Failure to observe the warning may result in serious injuries or death.



CAUTION!

Warns of a possible danger!

- Failure to observe this warning may result in a medium or minor injury.

NOTE!

Warns of damage to property!

- Failure to observe the warning may result in damage to the device or the equipment.



indicates important additional information, tips and recommendations.



refers to information in these operating instructions or in other documentation.

→ designates a procedure which you must carry out.

2. AUTHORIZED USE

Non-authorized use of the electronic controller for vapor recovery Type 1094 may be a hazard to people, nearby equipment and the environment.

- The device is designed for the electronic control of vapor recovery in tank installations.
- Use according to the authorized data, operating conditions and conditions of use specified in the contract documents and operating instructions. These are described in the chapter entitled “*System Description*” and “*Technical Data*”.
- The device may be used only in conjunction with third-party devices and components recommended and authorized by Bürkert.
- Correct transportation, correct storage and installation and careful use and maintenance are essential for reliable and faultless operation.
- Use the device only as intended.

2.1. Restrictions

If exporting the system/device, observe any existing restrictions.

2.2. Predictable Misuse

- The electronic controller for vapor recovery Type 1094 EV must not be used in explosive areas.
- Do not put any loads on the housing (e.g. by placing objects on it or standing on it).
- Do not make any external modifications to the device housings. Do not paint the housing parts or screws.

3. BASIC SAFETY INSTRUCTIONS

These safety instructions do not make allowance for any

- contingencies and events which may arise during the installation, operation and maintenance of the devices.
- local safety regulations – the operator is responsible for observing these regulations, also with reference to the installation personnel.



DANGER!

Risk of electric shock!

- Before reaching into the device or the equipment, switch off the power supply and secure to prevent reactivation!
- Observe applicable accident prevention and safety regulations for electrical equipment!



WARNING!

General hazardous situations.

To prevent injury, ensure:

- That the system cannot be activated unintentionally.
- Installation and repair work may be carried out by authorized technicians only and with the appropriate tools.
- After an interruption in the power supply or pneumatic supply, ensure that the process is restarted in a defined or controlled manner.
- The device may be operated only when in perfect condition and in consideration of the operating instructions.
- The general rules of technology apply to application planning and operation of the device.

NOTE!

Electrostatic sensitive components / modules!

The device contains electronic components, which react sensitively to electrostatic discharge (ESD). Contact with electrostatically charged persons or objects is hazardous to these components. In the worst case scenario, they will be destroyed immediately or will fail after start-up.

- Observe the requirements in accordance with EN 61340-5-1 and 5-2 to minimize or avoid the possibility of damage caused by sudden electrostatic discharge!
- Also, ensure that you do not touch electronic components when the power supply voltage is present!



The electronic controller for vapor recovery

Type 1094 EV was developed with due consideration given to accepted safety rules and is state-of-the-art. Nevertheless, dangerous situations may occur.

Failure to observe this operating manual and its operating instructions as well as unauthorized tampering with the device release us from any liability and also invalidate the warranty covering the devices and accessories!

4. GENERAL INFORMATION

4.1. Scope of Supply

Check immediately upon receipt of the delivery that the contents are not damaged and that the type and scope agree with the delivery note and packing list.

If there are any discrepancies, please contact us immediately.

4.2. Contact Addresses

Germany

Bürkert Fluid Control Systems
Sales Center
Chr.-Bürkert-Str. 13-17
D-74653 Ingelfingen
Tel. + 49 (0) 7940 - 10 91 111
Fax + 49 (0) 7940 - 10 91 448
E-mail: info@de.buerkert.com

International

Contact addresses can be found on the final pages of the printed operating instructions.

And also on the Internet at:

www.burkert.com → Bürkert → Company → Locations

4.3. Warranty

This document contains no promise of guarantee. Please refer to our general terms of sales and delivery. The warranty is only valid if the electronic controller for vapor recovery is used as intended in accordance with the specified application conditions.



The warranty extends only to defects in the electronic controller for vapor recovery Type 1094 EV and its components.

We accept no liability for any kind of collateral damage which could occur due to failure or malfunction of the device.

4.4. Information on the Internet

The operating instructions and data sheets for Type 1094 EV can be found on the Internet at:

www.burkert.com → Documentation → Type

Furthermore, a CD can be ordered by quoting identification number 804625. This CD contains not only these operating instructions, but also the instructions for other Bürkert products.

5. SYSTEM DESCRIPTION

5.1. General description of the application area

When a vehicle is refueled, the gasoline flowing into the tank displaces an equal volume of gasoline vapor out of the tank. To prevent this gasoline vapor from escaping into the atmosphere, it must be extracted.

In the solution offered by Bürkert this extraction process utilizes underpressure via an upstream proportional valve in the reservoir tank of the gasoline pump.

5.2. The principle of vapor recovery

An extraction pump conveys the gasoline vapor out of the vehicle tank and forces it into the reservoir tank of the gasoline pump.

To prevent overpressure in the reservoir tank, the volume balance between the delivered gasoline and the returned gasoline vapor must be equalized.

The amount of gasoline added to the vehicle tank is measured via a calibrated piston meter in the gasoline pump, converted by the gasoline pump computer into clock signals and signaled to the electronic controller which then equalizes the volume balance via a proportional valve.

5.3. The mode of operation of the electronic controller

The electronic controller (see *Fig. 1:*) analyzes two clock signals from the gasoline pump computer and uses two electrical PWM control signals to control the flow opening of the associated control valves (explosion-protected proportional valve Type 2832, 2832EV, 6022) and therefore the volumetric flow of the returned gasoline vapor.

The control also features two so-called diesel inputs. If this input is active, activation of the control valves is suppressed.



Fig. 1: Electronic controller Type 1094 EV

5.4. Mode of operation of a gasoline pump with vapor recovery

To ensure uniform extraction in the whole control area, a linear characteristic is required.

The originally non-linear valve flow - gas flow characteristic must therefore be corrected. To do this, various points of the characteristic are automatically stored in the controller memory when the system is calibrated with the manual control unit (Type MKNE-1094). The number of points depends on the characteristic and is specified by the manual control unit. The characteristic is also corrected automatically by linear interpolation between these points.

At the start of the fueling process the amount of delivered gasoline is calculated in the controller from the measured pulse rate.

Taking into account the linearized characteristic and the K-factor of the suction rate, the set-point value for the valve flow can now be determined, and the proportional valve can be activated for extraction of the gasoline vapor.

With the activation of the proportional valve the vacuum pump is also started to generate an underpressure.

At the end of the fueling process the gasoline pump computer no longer generates any pulses and the proportional valve for vapor recovery is closed.

The vacuum pump is also switched off after the overtravel time.

5.4.1. Function diagram

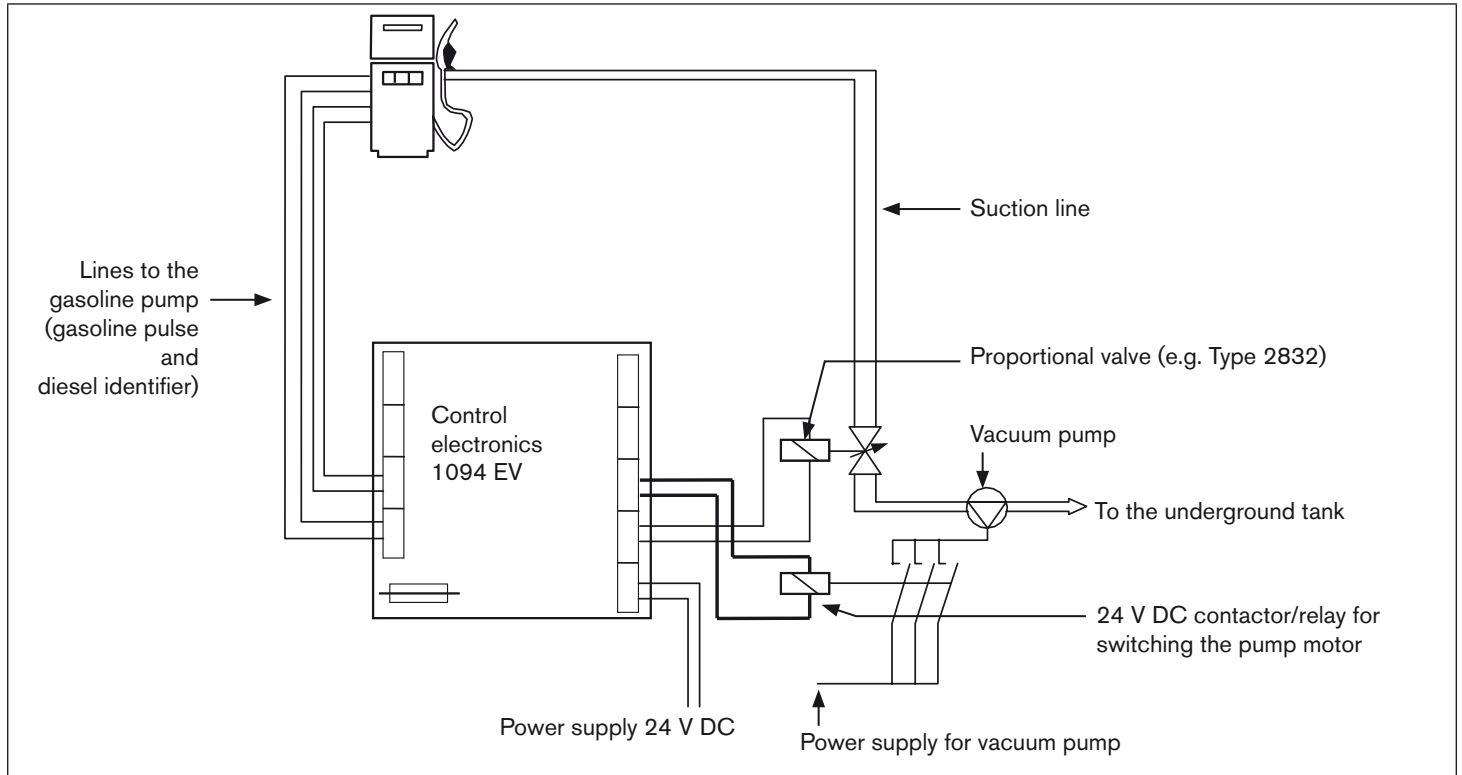


Fig. 2: Function diagram of a gasoline pump with vapor recovery

6. TECHNICAL DATA

6.1. Operating Conditions



WARNING!

Danger of explosion!

The controller Type 1094 EV has a protection class of IP00 and is not designed for use in the explosion-protected area. If it is used in the area of tank installations, a short-circuit in the controller could cause an explosion.

- If it used in the area of a tank installation, the controller Type 1094 EV must be installed in a control cabinet with an appropriate protection class.

Permitted ambient temperature: -25 – +55 °C
(icing over not permitted)

Permitted air humidity: 5 – 85 %
(condensation not permitted)

NOTE!

Damage to device caused by icy or wet conditions!

Icy and wet conditions may damage the device and cause malfunctions.

- Protect device from icy and wet conditions caused by dew, etc.

Protection class: IP00, the electronics are designed for operation in the control cabinet only.

6.2. Conformity with the following standards

CE mark compliant with

EMC generic emission standard
IEC-61000-6-1
IEC-61000-6-2
IEC-61000-6-3
IEC-61000-6-4

BlmSchV

Bundes-Immissionsschutz-Verordnung
(Federal Emission Protection Ordinance)
21. BlmSchV; Ordinance on the Restriction of
Hydrocarbon Emissions during the Refueling of
Vehicles

6.3. General Technical Data

Housing: Open housing for installation on mounting rail in accordance with DIN EN 50022 / DIN EN 50035 / DIN EN 50045

Dimensions: 68 x 76 x 35 mm

Order number: 208373

6.4. Electrical Data

- Power supply voltage: 24 V DC $\pm 10\%$
 230 V / 50 Hz -15 % / +10 %
 (in conjunction with power supply unit, see Accessories)
 115 V / 60 Hz -15 % / +10 %
 (in conjunction with power supply unit, see Accessories)
- Power consumption: 30 mA (without valve current)
 700 mA (with valve current from 2 proportional valves, e.g. Type 2932, 2832 EV, 6022 and connected manual control unit)

6.5. Pin assignment

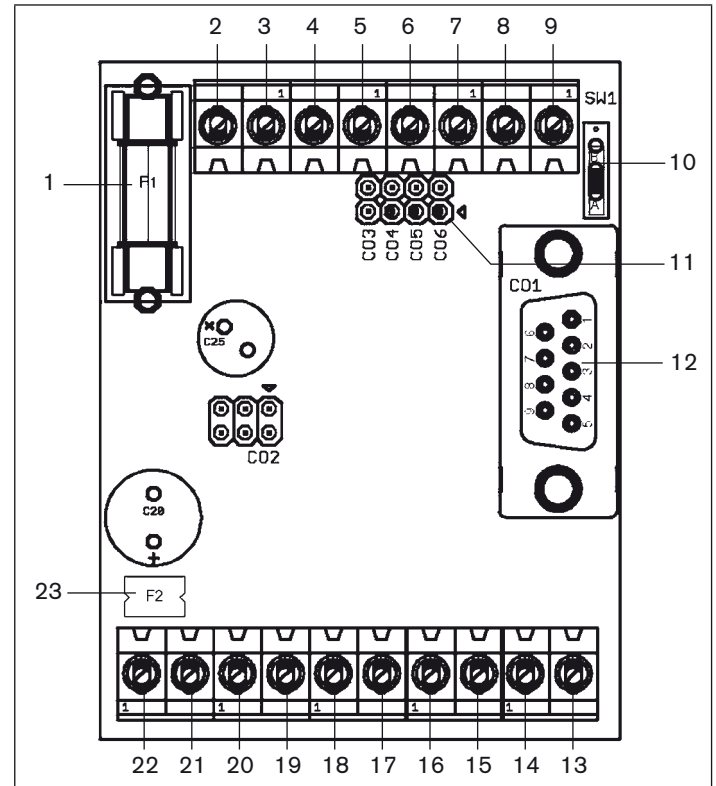


Fig. 3: Pin assignment of the controller Type 1094 EV

Legend to Fig. 3:

Position	Configuration	Description
1		Fuse F1, proportional valves
2	+ Input	Frequency input
3	GND	Gasoline pulse Side 1
4	+ Input	Diesel identifier Side 1
5	GND	
6	+ Input	Frequency input
7	GND	Gasoline pulse Side 2
8	+ Input	Diesel identifier Side 2
9	GND	
10		Switch for side selection for communication with manual control unit
11		Jumper C03 to C06 for selection of "Open emitter" or "Open collector" signal of the diesel identifier and the frequency input
12		Manual control unit interface
13	GND	Motor contactor control
14	+ Output	Side 2
15	GND	Proportional valve control
16	+ Output	Side 2

Position	Configuration	Description
17	GND	Motor contactor control
18	+ Output	Side 1
19	GND	Proportional valve control
20	+ Output	Side 1
12	GND	24 V supply
22	+ 24 V	
23		Fuse F2 Main fuse for monitoring the total current

Table 1: Pin assignment of the controller Type 1094 EV

6.5.1. Frequency inputs / Gasoline pulses

The volumetric flow of the delivered gasoline is measured by the piston meter, converted into a frequency-proportional clock signal by the gasoline pump computer and switched to the frequency input of the controller (Fig. 4:).

In the controller this clock signal is processed as the actual value of the volumetric flow of the gasoline.

High-level pulse:	3.4 V – 26 V
Low-level pulse:	0 V – +0,9 V
Input resistance:	> 10 kΩ
Max. input current:	5 mA
Min. pulse duration:	400 μs
Measurement rate:	1 measurement/0.75 s
Resolution:	1 Hz
Measuring range:	0 ... 51 l/min
Pulse rate:	Can be adjusted via manual control unit from 31 – 200 pulses/liter

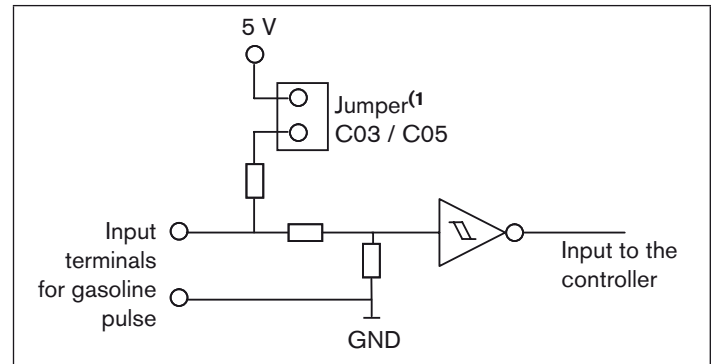


Fig. 4: Frequency input of the controller Type 1094 EV

⁽¹⁾ The Jumper C0 (C03 for side 1 and C05 for side 2) can be used to switch the input from “open emitter” to “open collector”.

6.5.2. Diesel inputs / Diesel identifier

High-level pulse:	3.4 V – 26 V
Low-level pulse:	0 V – +0,9 V
Input resistance:	> 10 kΩ
Max. input current:	5 mA
Min. pulse duration:	400 μs
Measurement rate:	1 measurement/0.75 s
Resolution:	1 Hz
Measuring range:	0 ... 51 l/min

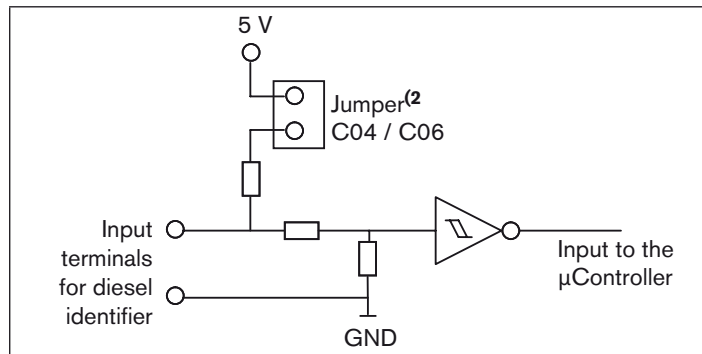


Fig. 5: Diesel input of the controller Type 1094 EV

② The Jumper CO (CO4 for side 1 and CO6 for side 2) can be used to switch the input from “open emitter” to “open collector”. The level when the electronics start determines whether the input is active “high” or “low”.

6.5.3. Outputs / Valves

Load current:	0 ... 250 mA
Output voltage:	24 V DC
Clock frequency:	250 Hz
Number of outputs:	2 (1 output each for side 1 and for side 2)

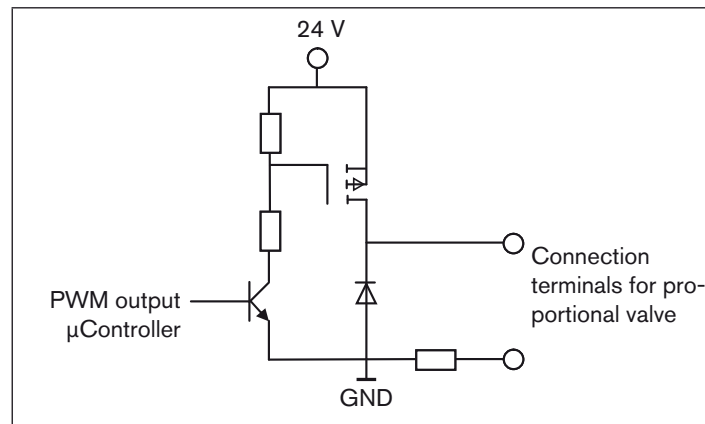


Fig. 6: Valve output of the controller Type 1094 EV

To position the proportional valve Type 2832, 2832EV, 6022 the controller generates PWM signals via a transistor.

6.5.4. Outputs / Motor contactor

The output for the motor contactor is activated by the controller for as long as the proportional valve is open.

This contactor/relay switches the vacuum pump motor.

Furthermore, a overtravel time can be set for the vacuum pump (motor contactor) for which the signal remains active. If the overtravel is set to 0s, the motor contactor is not activated. This function is useful for defective motors.

Load current: 0 ... 150 mA

Output voltage: 24 V DC

Number of outputs: 2 (1 output each for side 1 and for side 2)

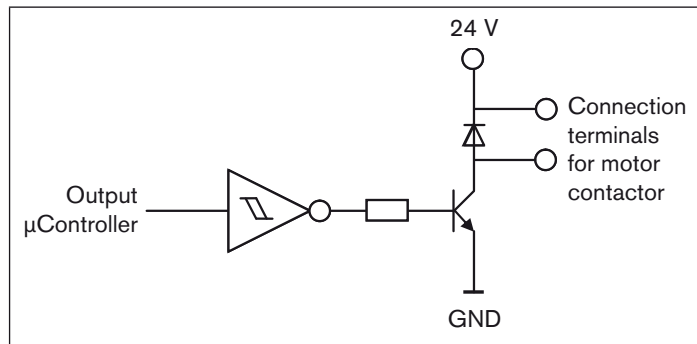


Fig. 7: Motor contact output of the controller Type 1094 EV

6.5.5. Operation as AC device at 230/115 V

A power supply unit was installed for the operation of the vapor recovery 1094 EV. This power supply unit has the following data:

Manufacturer:	TRACO POWER
Designation:	Industrial Power Supply
Model:	TBL 030-124
Power supply voltage:	100 ... 240 V 50/60 Hz -15 % / +10 %
Max. power consumption:	0,5 ... 0,9 A
Output voltage:	24 V DC ± 10 %
Max. output current:	1.25 A
Max. output power:	30 W



Fig. 8: Control Type 1094 EV with 24 V power supply unit

7. INSTALLATION

7.1. Important documents



To connect the individual gasoline pump components to the controller Type 1094 EV, you will require the particular interface conditions such as level, clock rates, resistors, currents, etc. These can be found on the data sheets and/or in the operating instructions for the individual components.

All the documentation for the gasoline pump is available from the supplier or manufacturer of the gasoline pump.

→ Provide the following documents for start-up of the controller:

- Operating instructions for the piston meter/gasoline pump computer
- Operating instructions for the proportional valve Type 2832, 2832EV, 6022 from Bürkert
- Operating instructions for the vacuum pump - required for adjustment of the correction factor
- Operating instructions for the manual control unit Type MKNE-1094 from Bürkert

7.2. Installation

7.2.1. Safety instructions



DANGER!

Risk of injury due to electrical shock!

- Before reaching into the device or the equipment, switch off the power supply and secure to prevent reactivation!
- Observe applicable accident prevention and safety regulations for electrical equipment!



WARNING!

Risk of injury from improper installation!

- Installation may be carried out by authorized technicians only and with the appropriate tools!

Danger of explosion!

- If it used in the area of a tank installation, the controller Type 1094 EV must be installed in a control cabinet with an appropriate protection class.

To install the controller in the control cabinet, the housing can be installed directly on a mounting rail.

7.2.2. Electrical connection



DANGER!

Risk of injury due to electrical shock!

- Before making the electrical connections, switch off the power supply and secure to prevent reactivation!

→ Before starting up the controller, carefully make all the required connections (see *Fig. 3: Pin assignment of the controller Type 1094 EV*).

Make the following connections for the controller:

- Operating voltage 24 V DC.
- Output signals for the proportional valves Type 2832, 2832EV, 6022 for side 1 and side 2.
- Output signals for relays or contactors of the vacuum pumps for side 1 and side 2.
- Frequency input signals from the gasoline pump computer for side 1 and side 2.
- optional: Diesel input signals from the gasoline pump computer for side 1 and side 2.

NOTE!

Information to ensure that the controller functions perfectly!

There are no special requirements for the wire connections which are to be used inside the gasoline pump, as the current or power to be transmitted is very low. However, all output lines (valve output and motor contactor output) should be shielded.

- To ensure good contact between the electrical connections, all the cables used must be provided with wire end ferrules.

8. OPERATION AND FUNCTION

8.1. Safety instructions



WARNING!

Danger due to improper operation!

Improper operation may result in injuries as well as damage to the device and the area around it.

- The operating personnel must know and have understood the contents of the operating instructions.
- Observe the safety instructions and intended use.
- Only adequately trained personnel may operate the equipment/ the device.

8.2. Display elements

The controller electronics have a total of 6 LEDs.

- One red and yellow LED per side (2 LEDs side 1, 2 LEDs side 2)
- One green LED for the operating voltage display (operation LED)
- One red LED without display function (LED without function)

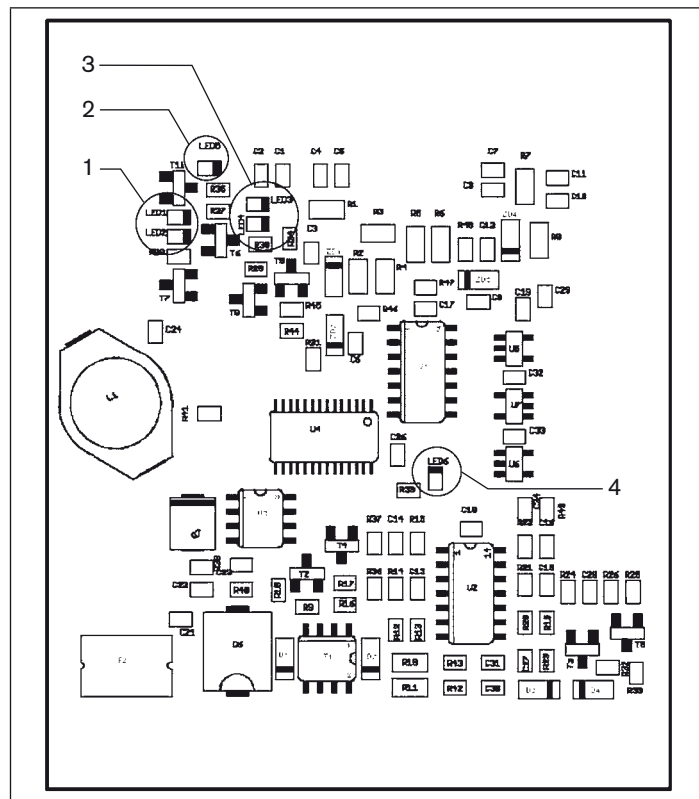


Fig. 9: Display LEDs on the controller

Legend to Fig. 9:

Position	Description	Display function
1	LEDs for side 1:	
	LED red	Diagnosis display side 1
	LED yellow	Switching output motor contactor side 1
2	LED green	Operating voltage display
3	LEDs for side 2:	
	LED red	Diagnosis display side 2
	LED yellow	Switching output motor contactor side 2
4	LED red	Without display function

Table 2: LED display functions



The red LED (4) without display function may flicker under certain operating conditions. However, this has no effect on the function of the entire controller.

8.2.1. Display function side LEDs

The yellow LED (*Table 2: / Pos.1, 3*) indicates that the switching output was activated for the motor contactor of the respective side.

The red LED (*Table 2: / Pos.1, 3*) indicates a diagnosis for the outputs of the respective side.

There are different statuses which will be explained in the following Troubleshooting chapter.

8.2.2. Troubleshooting

Troubleshooting is via the red LEDs for side 1 and side 2. Both LEDs indicate the operating status of the respective side.

The following table describes the different statuses and their meaning for troubleshooting.

Status	Description
Quickly flashing LED	The valve is operating; everything is working correctly.
Slowly flashing LED	There is no fueling in progress; everything is working correctly.
LED permanently on or off	The electronics are defective.
1 pulses every 3 s	The electronics are not calibrated.
2 pulses every 3 s	The valve current is too low. ⁽³⁾ This means that the valve is not connected.

Status	Description
3 pulses every 3 s	The valve current is too high. This means that an incorrect valve was installed or there is a short-circuit.
4 pulses every 3 s	No motor contactor is connected. ⁴⁾
6 pulses every 3 s	The fuse for the valve current is defective.

Table 3: Troubleshooting

- 4) The fault “No motor contactor is connected” is indicated in non-switched status only. This means that this fault is only indicated if there is no frequency at the gasoline pulse input.
- 3) The fault “The valve current is too low” is indicated in switched status only.

8.3. Fuses

The device features two fuses

The main fuse (F2) is a self-resetting fuse with a nominal value of 1.1 A; it monitors the total power consumption of the device.

The second fuse (F1) is a fast-acting fuse (5 x 20 mm) in accordance with the standard IEC 60127-2-1, with a disconnect threshold of 1500 A. Its nominal value is 800 mA; it monitors the valve current.

The electronics monitor the reliability performance of the fuse and indicate a malfunction with the red LEDs on both sides (6 pulses every 3 s).

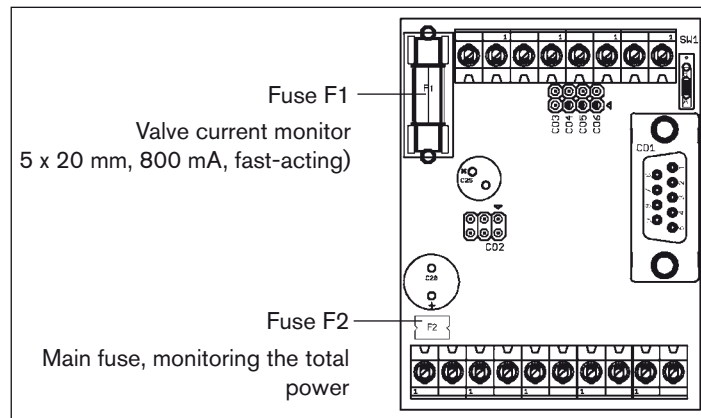


Fig. 10: Position of the fuses

8.4. Adjustment and operation of the controller

To adjust the controller in a gasoline pump, all components, signal lines and the gas meter from the calibration case must be connected correctly.

Side selection

Each side of the gasoline pump can be controlled separately via the side switch (side selection).

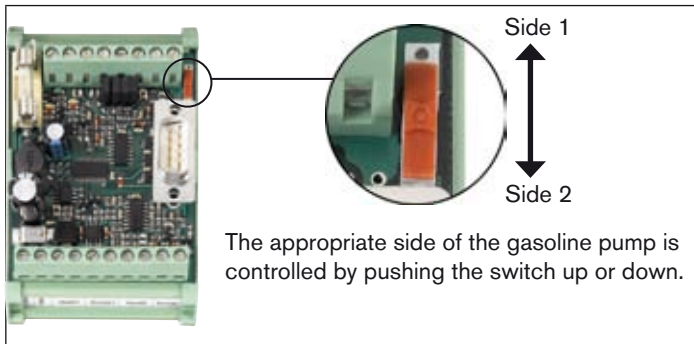


Fig. 11: Selecting the side of the gasoline pump

SUB-D plug (connection to the manual control unit Type MKNE-1094)

The controller is operated and calibrated exclusively via the external manual control unit Type MKNE-1094 which is connected to the controller via a 9-pole SUB-D plug.

Configuration of the SUB-D plug:

Pin	I/O	Description
1	nc	–
2	OUT	Clock for serial communication
3	BIDIR	Data line
4	nc	–
5	PWR	GND
6	nc	–
7	PWR	+5 V
8	nc	–
9	nc	–

Table 4: Configuration of the SUB-D plug

8.4.1. First use and calibration of the controller

The electronic controller for vapor recovery Type 1094 EV is program-controlled and must be adjusted (calibrated) to the actual gasoline pump process before it is used for the first time.

The electronic controller is calibrated with the separate (external) manual control unit Type MKNE-1094.



This external manual control unit has separate operating instructions. Read these operating instructions carefully and select the mode of operation which is appropriate to your application case.



Fig. 12: Manual control unit Type MKNE-1094



Before calibration, the pulse rate, the K-factor and the pump overtravel time must be specified and input.

Note: If a Scheidt & Bachmann manual control unit is used, the K-factor must be set to 1.00 during the calibration.

8.4.2. Pulse rate and frequency input

The pulse rate output by the gasoline pump computer is specified by the gasoline pump manufacturer.

The indicated pulse rate can be set on the controller with the manual control unit Type MKNE-1094.

8.4.3. K-factor for the suction rate

The K-factor for the suction rate corrects the difference between the flow rate properties of air and gasoline vapor. This correction is required, as the extraction system is calibrated with atmospheric air and subsequently operated with gasoline vapor.

The size of the K-factor is specific to the system. It is determined as a quotient of the volume rate of air to the volume rate of gasoline vapor.



For more information on determining the K-factor see the operating instructions for the manual control unit Type MKNE-1094 (in the chapter "Introduction to the Technology of Vapor Recovery" the paragraphs "Information on Volume Rate..." and "Determining the Correction Factor").

8.4.4. Pump overtravel time

The pump overtravel time is the vacuum pump delay time which is between the end of the fueling process (closure of the proportional valve) and the disconnection of the vacuum pump.

The overtravel of the pump extracts the gasoline vapor which is still in the pipelines.

At a set value of 0s a defective pump is no longer activated.

8.4.5. Gasoline pump operation

During calibration the controller automatically measures the non-linear valve flow - gas flow characteristic of the entire gasoline pump system, saves the characteristic points and automatically linearizes this characteristic by linear interpolation.

The extracted amount of gasoline vapor is controlled by the linearized characteristic.

Following the calibration the gasoline vapor which is displaced when a tank is filled is automatically extracted via the suction line on the gasoline pump nozzle.



The mode of operation of the gasoline pump is described in detail in chapter "5.4. Mode of operation of a gasoline pump with vapor recovery".

9. MAINTENANCE

The electronic control for vapor recovery is maintenance-free when operated according to the instructions in this manual.

10. ACCESSORIES

Apart from the controller Type 1094 EV for vapor recovery, there are the following additional accessories for vapor recovery:

- Manual control unit Type MKNE-1094
- Self-calibration set consisting of
 - Manual control unit Type MKNE-1094
 - Gas meter with pulse output
 - Adapter for connecting the gas meter to the gasoline pump nozzle
 - Sturdy case for storage of the components
- Power supply unit for operation of the controller as an AC device.

Order numbers:

Accessories		Order no.
Manual control unit Type MKNE 1094 EV	German	645 854
	English	139 431
Calibration set for vapor recovery	German	137 713
	English	704 296
TRACO-POWER power supply unit, 24 V, TBL 30-124		770 156

Table 5: Order numbers for accessories

11. PACKAGING, TRANSPORT,

NOTE!

Transport damages!

Inadequately protected equipment may be damaged during transport.

- During transportation protect the device against wet and dirt in shock-resistant packaging.
- Avoid exceeding or dropping below the allowable storage temperature.
- Using protective caps, protect the electrical interfaces from damage.

12. STORAGE

NOTE!

Incorrect storage may damage the device.

- Store the device in a dry and dust-free location!
- Storage temperature: -40 – 55 °C.

13. DISPOSAL

→ Dispose of the device and packaging in an environmentally friendly manner.

NOTE!

Damage to the environment caused by device components contaminated with media.

- Observe applicable regulations on disposal and the environment.



Note:

Observe national waste disposal regulations.

Elektronische Steuerung für Gasrückführung Typ 1094 EV

Inhalt:

1. DIE BEDIENUNGSANLEITUNG	31	6. TECHNISCHE DATEN	38
1.1. Darstellungsmittel	31	6.1. Betriebsbedingungen	38
2. BESTIMMUNGSGEMÄSSE VERWENDUNG.....	32	6.2. Konformität mit folgenden Normen	38
2.1. Beschränkungen	32	6.3. Allgemeine Technische Daten	38
2.2. Vorhersehbarer Fehlgebrauch.....	32	6.4. Elektrische Daten.....	39
3. GRUNDLEGENDE SICHERHEITSHINWEISE.....	33	6.5. Anschlussbelegung	39
4. ALLGEMEINE HINWEISE.....	34	7. MONTAGE	44
4.1. Lieferumfang	34	7.1. Wichtige Unterlagen	44
4.2. Kontaktadressen	34	7.2. Einbau	44
4.3. Gewährleistung.....	35	8. BEDIENUNG UND FUNKTION	46
4.4. Informationen im Internet.....	35	8.1. Sicherheitshinweise	46
5. SYSTEMBESCHREIBUNG	35	8.2. Anzeigeelemente	46
5.1. Allgemeine Beschreibung des Einsatzbereiches.....	35	8.3. Sicherungen.....	48
5.2. Das Prinzip der Gasrückführung	35	8.4. Einstellung und Bedienung der Steuerung	49
5.3. Die Arbeitsweise der elektronischen Steuerung.....	36	9. WARTUNG	51
5.4. Funktionsweise einer Zapfsäule mit Gasrückführung....	36	10. ZUBEHÖR.....	52

11. VERPACKUNG, TRANSPORT,	52
12. LAGERUNG	53
13. ENTSORGUNG.....	53

1. DIE BEDIENUNGSANLEITUNG

Die Bedienungsanleitung beschreibt den gesamten Lebenszyklus des Gerätes. Bewahren Sie diese Anleitung so auf, dass sie für jeden Benutzer gut zugänglich ist und jedem neuen Eigentümer des Gerätes wieder zur Verfügung steht.

Die Bedienungsanleitung enthält wichtige Informationen zur Sicherheit!

Das Nichtbeachten dieser Hinweise kann zu gefährlichen Situationen führen.

- Die Bedienungsanleitung muss gelesen und verstanden werden.

1.1. Darstellungsmittel



GEFAHR!

Warnt vor einer unmittelbaren Gefahr!

- Bei Nichtbeachtung sind Tod oder schwere Verletzungen die Folge.



WARNUNG!

Warnt vor einer möglicherweise gefährlichen Situation!

- Bei Nichtbeachtung drohen schwere Verletzungen oder Tod.



VORSICHT!

Warnt vor einer möglichen Gefährdung!

- Nichtbeachtung kann mittelschwere oder leichte Verletzungen zur Folge haben.

HINWEIS!

Warnt vor Sachschäden!

- Bei Nichtbeachtung kann das Gerät oder die Anlage beschädigt werden.



bezeichnet wichtige Zusatzinformationen, Tipps und Empfehlungen.



verweist auf Informationen in dieser Bedienungsanleitung oder in anderen Dokumentationen.

→ markiert einen Arbeitsschritt, den Sie ausführen müssen.

2. BESTIMMUNGSGEMÄSSE VERWENDUNG

Bei nicht bestimmungsgemäßem Einsatz der elektronischen Steuerung für Gasrückführung Typ 1094 EV können Gefahren für Personen, Anlagen in der Umgebung und die Umwelt entstehen.

- Das Gerät ist für die elektronische Steuerung der Gasrückführung in Tankanlagen konzipiert.
- Für den Einsatz die in den Vertragsdokumenten und der Bedienungsanleitung spezifizierten zulässigen Daten, Betriebs- und Einsatzbedingungen beachten. Diese sind im Kapitel „Systembeschreibung“ und „Technische Daten“ beschrieben.
- Das Gerät nur in Verbindung mit von Bürkert empfohlenen bzw. zugelassenen Fremdgeräten und -komponenten einsetzen.
- Voraussetzungen für den sicheren und einwandfreien Betrieb sind sachgemäßer Transport, sachgemäße Lagerung und Installation sowie sorgfältige Bedienung und Instandhaltung.
- Setzen Sie das Gerät nur bestimmungsgemäß ein.

2.1. Beschränkungen

Beachten Sie bei der Ausführung des Systems/Gerätes gegebenenfalls bestehende Beschränkungen.

2.2. Vorhersehbarer Fehlgebrauch

- Die elektronische Steuerung für Gasrückführung Typ 1094 EV darf nicht in explosionsgefährdeten Bereichen eingesetzt werden.
- Belasten Sie das Gehäuse nicht mechanisch (z. B. durch Ablage von Gegenständen oder als Trittstufe).
- Nehmen Sie keine äußerlichen Veränderungen an den Gerätegehäusen vor. Gehäuseteile und Schrauben nicht lackieren.

3. GRUNDLEGENDE SICHERHEITSHINWEISE

Diese Sicherheitshinweise berücksichtigen keine

- Zufälligkeiten und Ereignisse, die bei Montage, Betrieb und Wartung der Geräte auftreten können.
- ortsbezogenen Sicherheitsbestimmungen, für deren Einhaltung, auch in Bezug auf das Montagepersonal, der Betreiber verantwortlich ist.



GEFAHR!

Gefahr durch elektrische Spannung!

- Vor Eingriffen in das Gerät oder die Anlage, Spannung abschalten und vor Wiedereinschalten sichern!
- Die geltenden Unfallverhütungs- und Sicherheitsbestimmungen für elektrische Geräte beachten!



WARNUNG!

Allgemeine Gefahrensituationen.

Zum Schutz vor Verletzungen ist zu beachten:

- Dass die Anlage nicht unbeabsichtigt betätigt werden kann.
- Installations- und Instandhaltungsarbeiten dürfen nur von autorisiertem Fachpersonal mit geeignetem Werkzeug ausgeführt werden.
- Nach einer Unterbrechung der elektrischen oder pneumatischen Versorgung ist ein definierter oder kontrollierter Wiederanlauf des Prozesses zu gewährleisten.
- Das Gerät darf nur in einwandfreiem Zustand und unter Beachtung der Bedienungsanleitung betrieben werden.
- Für die Einsatzplanung und den Betrieb des Gerätes müssen die allgemeinen Regeln der Technik eingehalten werden.

HINWEIS!

Elektrostatisch gefährdete Bauelemente / Baugruppen!

Das Gerät enthält elektronische Bauelemente, die gegen elektrostatische Entladung (ESD) empfindlich reagieren. Berührung mit elektrostatisch aufgeladenen Personen oder Gegenständen gefährdet diese Bauelemente. Im schlimmsten Fall werden sie sofort zerstört oder fallen nach der Inbetriebnahme aus.

- Beachten Sie die Anforderungen nach EN 61340-5-1 und 5-2, um die Möglichkeit eines Schadens durch schlagartige elektrostatische Entladung zu minimieren bzw. zu vermeiden!
- Achten Sie ebenso darauf, dass Sie elektronische Bauelemente nicht bei anliegender Versorgungsspannung berühren!



Die elektronische Steuerung für Gasrückführung Typ 1094 EV wurde unter Einbeziehung der anerkannten sicherheitstechnischen Regeln entwickelt und entspricht dem Stand der Technik. Trotzdem können Gefahren entstehen.

Bei Nichtbeachtung dieser Bedienungsanleitung und ihrer Hinweise sowie bei unzulässigen Eingriffen in das Gerät entfällt jegliche Haftung unsererseits, ebenso erlischt die Gewährleistung auf Geräte und Zubehörteile!

4. ALLGEMEINE HINWEISE

4.1. Lieferumfang

Überzeugen Sie sich unmittelbar nach Erhalt der Sendung, dass der Inhalt nicht beschädigt ist und in Art und Umfang mit dem Lieferschein bzw. der Packliste übereinstimmt.

Bei Unstimmigkeiten wenden Sie sich bitte umgehend an uns.

4.2. Kontaktadressen

Deutschland

Bürkert Fluid Control Systems
Sales Center
Chr.-Bürkert-Str. 13-17
D-74653 Ingelfingen
Tel. + 49 (0) 7940 - 10 91 111
Fax + 49 (0) 7940 - 10 91 448
E-mail: info@de.buerkert.com

International

Die Kontaktadressen finden Sie auf den letzten Seiten der gedruckten Bedienungsanleitung.

Außerdem im Internet unter:

www.burkert.com → Bürkert → Company → Locations

4.3. Gewährleistung

Diese Druckschrift enthält keine Garantiezusagen. Wir verweisen hierzu auf unsere allgemeinen Verkaufs- und Lieferbedingungen. Voraussetzung für die Gewährleistung ist der bestimmungsgemäße Gebrauch der elektronischen Steuerung für Gasrückführung unter Beachtung der spezifizierten Einsatzbedingungen.



Die Gewährleistung erstreckt sich nur auf die Fehlerfreiheit der elektronischen Steuerung für Gasrückführung Typ 1094 EV und ihrer Bauteile.

Für Folgeschäden jeglicher Art, die durch Ausfall oder Fehlfunktion des Gerätes entstehen könnten, wird keine Haftung übernommen.

4.4. Informationen im Internet

Bedienungsanleitungen und Datenblätter zum Typ 1094 EV finden Sie im Internet unter:

www.buerkert.de → Dokumentation → Typ

Desweiteren kann unter der Identnummer 804625 eine CD bestellt werden, auf der sich nicht nur diese Bedienungsanleitung befindet, sondern auch die Anleitungen für weitere Bürkert-Produkte.

5. SYSTEMBESCHREIBUNG

5.1. Allgemeine Beschreibung des Einsatzbereiches

Beim Betanken eines Fahrzeuges wird von dem in den Tank strömenden Benzin eine volumengleiche Menge Benzindampf aus dem Tank verdrängt. Um das Entweichen dieses Benzindampfes in die Atmosphäre zu verhindern, muss er abgesaugt werden.

Dieser Absaugvorgang erfolgt bei der von Bürkert angebotenen Lösung per Unterdruck über ein vorgeschaltetes Proportionalventil in den Vorratstank der Zapfsäule.

5.2. Das Prinzip der Gasrückführung

Eine Absaugpumpe fördert den Benzindampf aus dem Fahrzeugtank und drückt ihn in den Vorratstank der Zapfsäule.

Um einen Überdruck im Vorratstank zu vermeiden, muss die Volumenbilanz zwischen gezapftem Benzin und rückgesaugtem Benzindampf ausgeglichen sein.

Die in den Fahrzeugtank eingefüllte Benzinmenge wird über einen geeichten Kolbenzähler der Zapfsäule gemessen, vom Zapfsäulenrechner in Taktsignale umgerechnet und an die elektronische Steuerung gemeldet, die dann über ein Proportionalventil den Ausgleich der Volumenbilanz sicherstellt.

5.3. Die Arbeitsweise der elektronischen Steuerung

Die elektronische Steuerung (siehe *Bild 1:*) wertet zwei Taktsignale des Zapfsäulenrechners aus und steuert über zwei elektrische PWM-Stellsignale die Durchflussöffnung der zugehörigen Regelventile (explosiongeschütztes Proportionalventil Typ 2832, 2832EV, 6022) und somit den Volumenstrom des rückgesaugten Benzindampfes.

Zusätzlich ist die Steuerung mit zwei sog. Deseleingängen ausgestattet. Ist dieser Eingang aktiv, so wird die Ansteuerung der Regelventile unterdrückt.



Bild 1: Elektronische Steuerung Typ 1094 EV

5.4. Funktionsweise einer Zapfsäule mit Gasrückführung

Um eine gleichmäßige Absaugung im gesamten Ansteuerbereich zu sichern, wird eine lineare Kennlinie benötigt.

Die ursprünglich nicht lineare Ventilstrom-Gasfluss-Kennlinie muss deshalb korrigiert werden. Dazu werden beim Einmessen der Anlage mit dem Handbediengerät (Type MKNE-1094) verschiedene Punkte der Kennlinie automatisch im Speicher der Steuerung abgelegt. Die Anzahl der Punkte ist kennlinienabhängig und wird vom Handbediengerät festgelegt. Die Kennlinienkorrektur erfolgt ebenfalls automatisch durch lineare Interpolation zwischen diesen Punkten.

Mit Beginn des Zapfvorgangs wird in der Steuerung aus der gemessenen Pulsrate die gezapfte Benzinmenge berechnet.

Unter Einbeziehung der linearisierten Kennlinie und des K-Faktors der Saugrate kann nunmehr der Sollwert für den Ventilstrom ermittelt und das Proportionalventil zum Absaugen des Benzindampfes angesteuert werden.

Mit dem Ansteuern des Proportionalventils wird auch die Vakuumpumpe zur Erzeugung eines Unterdruckes in Betrieb genommen.

Nach Beendigung des Zapfvorgangs gibt der Zapfsäulenrechner keine Impulse mehr aus und das Proportionalventil für die Gasrückführung wird geschlossen.

Nach Ablauf der Nachlaufzeit wird auch die Vakuumpumpe abgeschaltet.

5.4.1. Funktionsschema

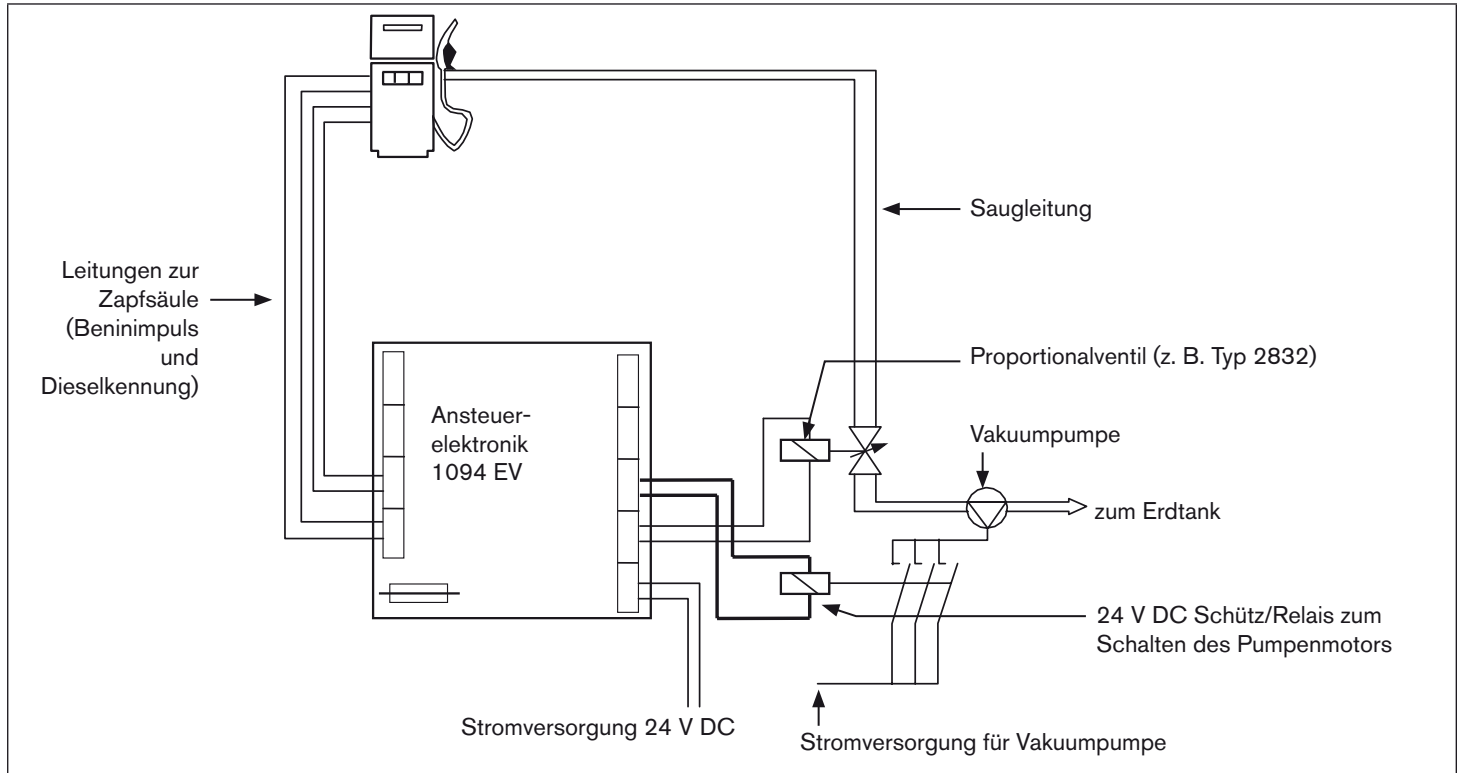


Bild 2: Funktionsschema einer Zapfsäule mit Gasrückführung

6. TECHNISCHE DATEN

6.1. Betriebsbedingungen



WARNUNG!

Explosionsgefahr !

Die Steuerung Typ 1094 EV hat die Schutzklasse IP00 und ist nicht für den Einsatz im explosionsgeschützten Bereich konzipiert. Bei Einsatz im Bereich von Tankanlagen könnte ein Kurzschluss in der Steuerung zur Explosion führen.

- Bei Einsatz im Bereich von Tankanlage muss die Steuerung Typ 1094 EV in einen Schaltschrank mit entsprechender Schutzklasse eingebaut werden.

Zulässige Umgebungstemperatur: -25 ... +55 °C
(keine Vereisung zulässig)

Zulässige Luftfeuchtigkeit: 5 ... 85 %
(keine Betauung zulässig)

HINWEIS!

Geräteschaden durch Vereisung oder Nässe!

Eis und Nässe können das Gerät schädigen und zu Funktionsausfall führen.

- Gerät vor Vereisung und Nässe durch Tau etc. schützen.

Schutzklasse: IP00, die Elektronik ist nur für den Betrieb im Schaltschrank vorgesehen.

6.2. Konformität mit folgenden Normen

CE - Zeichen konform gemäß
EMV-Fachgrundnorm
IEC-61000-6-1
IEC-61000-6-2
IEC-61000-6-3
IEC-61000-6-4

BlmSchV (Bundes-Immissionsschutz-Verordnung)
21. BlmSchV; Verordnung zur Begrenzung der Kohlenwasserstoffemissionen bei der Betankung von Kraftfahrzeugen

6.3. Allgemeine Technische Daten

Gehäuse: Offenes Gehäuse zur Montage auf Tragschiene nach DIN EN 50022 / DIN EN 50035 / DIN EN 50045

Abmessungen: 68 x 76 x 35 mm

Bestellnummer: 208373

6.4. Elektrische Daten

- Versorgungsspannung: 24 V DC $\pm 10\%$
 230 V / 50 Hz -15 % / +10 %
 (in Verbindung mit Netzteil, siehe Zubehör)
 115 V / 60 Hz -15 % / +10 %
 (in Verbindung mit Netzteil, siehe Zubehör)
- Stromaufnahme: 30 mA (ohne Ventilstrom)
 700 mA (mit Ventilstrom von 2 Proportionalventilen z. B. Typ 2932, 2832 EV, 6022 und angeschlossenem Handbediengerät)

6.5. Anschlussbelegung

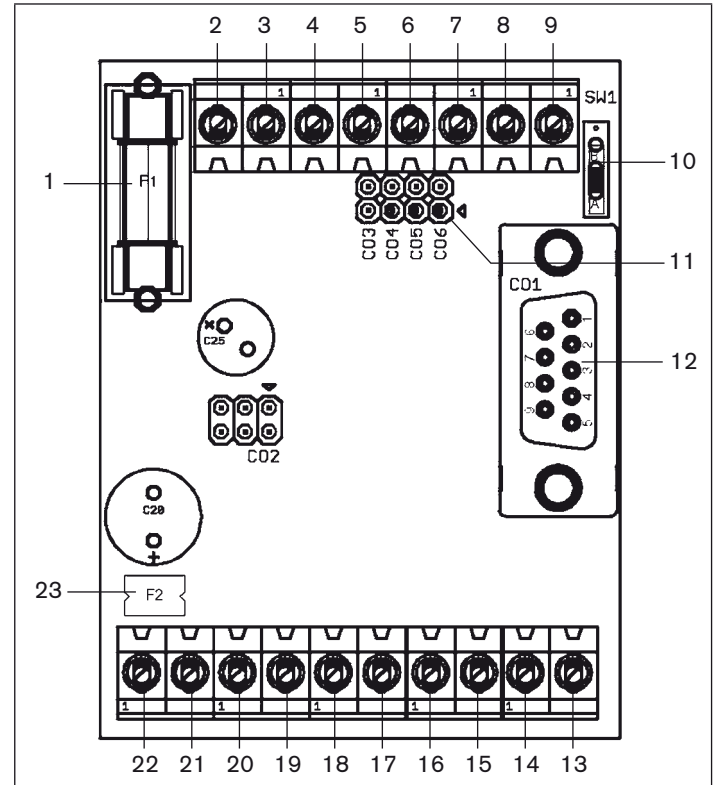


Bild 3: Anschlussbelegung der Steuerung Typ 1094 EV

Legende zu Bild 3:

Position	Belegung	Beschreibung
1		Sicherung F1, Proportionalventile
2	+ Eingang	Frequenzeingang
3	GND	Benzinimpuls Seite 1
4	+ Eingang	Dieselenkung Seite 1
5	GND	
6	+ Eingang	Frequenzeingang
7	GND	Benzinimpuls Seite 2
8	+ Eingang	Dieselenkung Seite 2
9	GND	
10		Schalter für Seitenwahl bei Kommunikation mit Handbediengerät
11		Jumper C03 bis C06 für Auswahl „Open-Emitter“ oder „Open-Kollektor“ Signal der Dieselenkung und des Frequenzeingangs
12		Interface Handbediengerät
13	GND	Ansteuerung Motorschütz
14	+ Ausgang	Seite 2
15	GND	Ansteuerung Proportionalventil
16	+ Ausgang	Seite 2

Position	Belegung	Beschreibung
17	GND	Ansteuerung Motorschütz
18	+ Ausgang	Seite 1
19	GND	Ansteuerung Proportionalventil
20	+ Ausgang	Seite 1
12	GND	Versorgung 24 V
22	+ 24 V	
23		Sicherung F2 Hauptsicherung Überwachung des Gesamtstroms

Tabelle 1: Anschlussbelegung der Steuerung Typ 1094 EV

6.5.1. Frequenzeingänge / Benzinimpulse

Der Volumenstrom des gezapften Benzins wird vom Kolbenzähler gemessen, vom Zapfsäulenrechner in ein frequenzproportionales Taktsignal umgewandelt und auf den Frequenzeingang der Steuerung geschaltet (Bild 4:).

In der Steuerung wird dieses Taktsignal als Istwert des Benzin-Volumenstroms verarbeitet.

High-Pegel Impuls:	3,4 V ... 26 V
Low-Pegel Impuls:	0 V ... +0,9 V
Eingangswiderstand:	> 10 k Ω
Max. Eingangsstrom:	5 mA
Min. Pulsdauer:	400 μ s
Messrate:	1 Messung/0,75 s
Auflösung:	1 Hz
Messbereich:	0 ... 51 l/min
Pulsrate:	Über Handbediengerät einstellbar von 31 ... 200 Impulse/Liter

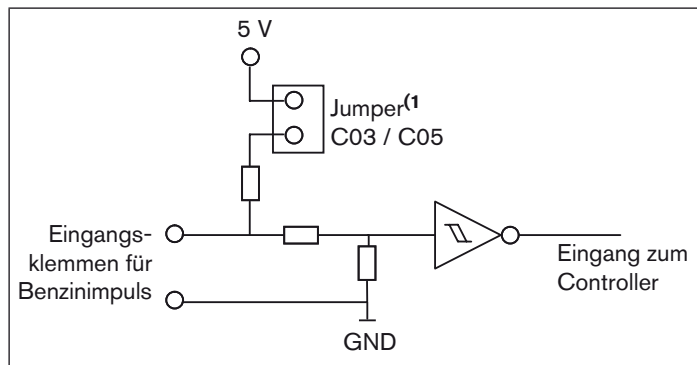


Bild 4: Frequenzeingang der Steuerung Typ 1094 EV

⁽¹⁾ Durch den Jumper C0 (C03 für Seite 1 und C05 für Seite 2) kann man den Eingang von „Open Emitter“ auf „Open Kollektor“ schalten.

6.5.2. Deseleingänge / Dieselkennung

High-Pegel Impuls:	3,4 V ... 26 V
Low-Pegel Impuls:	0 V ... +0,9 V
Eingangswiderstand:	> 10 k Ω
Max. Eingangsstrom:	5 mA
Min. Pulsdauer:	400 μ s
Messrate:	1 Messung/0,75 s
Auflösung:	1 Hz
Messbereich:	0 ... 51 l/min

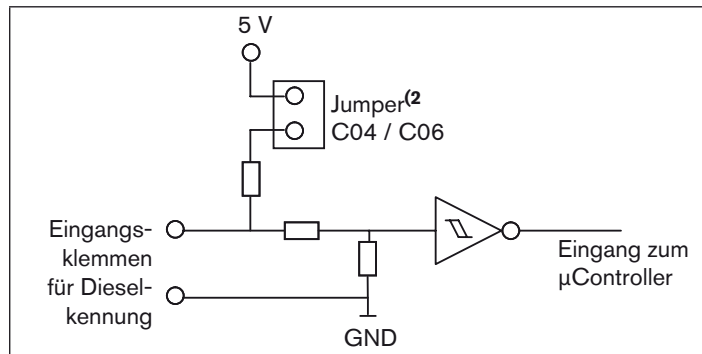


Bild 5: Deseleingang der Steuerung Typ 1094 EV

⁽²⁾ Durch den Jumper CO (CO4 für Seite 1 und CO6 für Seite 2) kann man den Eingang von „Open Emitter“ auf „Open Kollektor“ schalten. Der Pegel beim Start der Elektronik bestimmt ob der Eingang aktiv „high“ oder „low“ ist.

6.5.3. Ausgänge / Ventile

Laststrom:	0 ... 250 mA
Ausgangsspannung:	24 V DC
Taktfrequenz:	250 Hz
Anzahl der Ausgänge:	2 (je 1 Ausgang für Seite 1 und für Seite 2)

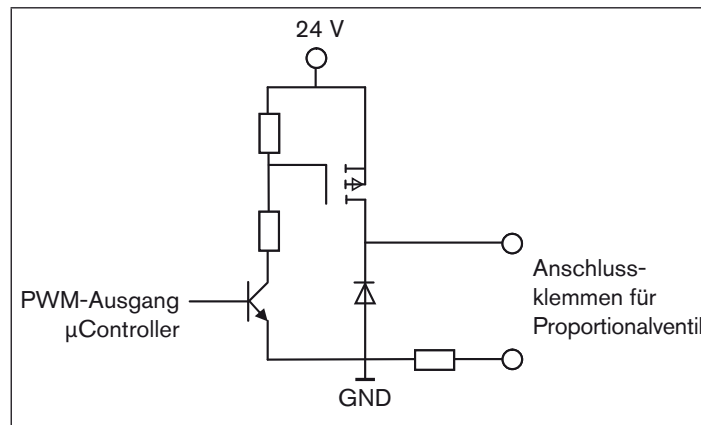


Bild 6: Ventilausgang der Steuerung Typ 1094 EV

Zum Stellen des Proportionalventils Typ 2832, 2832EV, 6022 gibt die Steuerung über einen Transistor PWM-Signale aus.

6.5.4. Ausgänge / Motorschütz

Der Ausgang für den Motorschütz wird von der Steuerung aktiv geschaltet, solange das Proportionalventil geöffnet ist.

Mit diesem Schütz/Relais wird der Motor der Vakuumpumpe geschaltet.

Darüber hinaus lässt sich für die Vakuumpumpe (Motorschütz) eine Nachlaufzeit einstellen, für die das Signal aktiv bleibt. Wird der Nachlauf auf 0s gestellt wird der Motorschütz nicht aktiviert. Diese Funktion ist bei defekten Motoren nützlich.

Laststrom: 0 ... 150 mA
Ausgangsspannung: 24 V DC
Anzahl der Ausgänge: 2 (je 1 Ausgang für Seite 1 und für Seite 2)

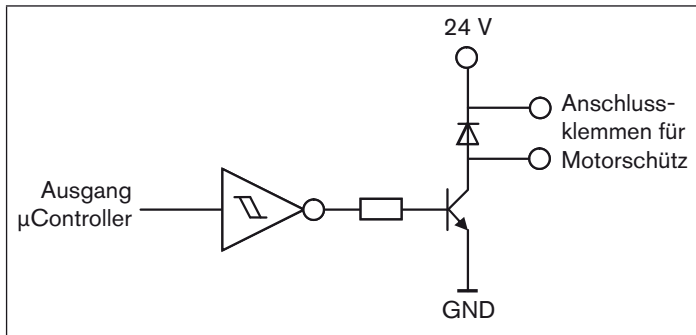


Bild 7: Motorschützausgang der Steuerung Typ 1094 EV

6.5.5. Betrieb als AC-Gerät an 230/115 V

Für den Betrieb der Gasrückführung 1094 EV wurde ein Netzteil angelegt. Dieses Netzteil hat die folgenden Daten:

Hersteller: TRACO POWER
Bezeichnung: Industrial Power Supply
Modell: TBL 030-124
Versorgungsspannung: 100 ... 240 V 50/60 Hz -15 % / +10 %
Max. Stromaufnahme: 0,5 ... 0,9 A
Ausgangsspannung: 24 V DC ± 10 %
Max. Ausgangsstrom: 1,25 A
Max. Ausgangsleistung: 30 W



Bild 8: Steuerung Typ 1094 EV mit 24 V Netzteil

7. MONTAGE

7.1. Wichtige Unterlagen



Zum Anschluss der einzelnen Zapfsäulenkomponenten an die Steuerung Typ 1094 EV benötigen Sie die jeweiligen Schnittstellenbedingungen wie Pegel, Taktraten, Widerstände, Ströme usw. Diese entnehmen Sie den Datenblättern und/oder Betriebsanleitungen für die Einzelkomponenten.

Die Gesamtdokumentation zur Zapfsäule erhalten Sie beim Lieferanten oder Hersteller der Zapfsäule.

→ Legen Sie für die Inbetriebnahme der Steuerung folgende Unterlagen bereit:

- Bedienungsanleitung des Kolbenzählers/Zapfsäulenrechners der Zapfsäule
- Bedienungsanleitung des Proportionalventils Typ 2832, 2832EV, 6022 von Bürkert
- Bedienungsanleitung der Vakuumpumpe - erforderlich für die Einstellung des Korrekturfaktors
- Bedienungsanleitung für das Handbediengerät Typ MKNE-1094 von Bürkert

7.2. Einbau

7.2.1. Sicherheitshinweise



GEFAHR!

Verletzungsgefahr durch Stromschlag!

- Vor Eingriffen in das Gerät oder die Anlage, Spannung abschalten und vor Wiedereinschalten sichern!
- Die geltenden Unfallverhütungs- und Sicherheitsbestimmungen für elektrische Geräte beachten!



WARNUNG!

Verletzungsgefahr bei unsachgemäßer Montage!

- Die Montage darf nur autorisiertes Fachpersonal mit geeignetem Werkzeug durchführen!

Explosionsgefahr !

- Bei Einsatz im Bereich von Tankanlage muss die Steuerung Typ 1094 EV in einen Schaltschrank mit entsprechender Schutzklasse eingebaut werden.

Zum Einbau der Steuerung in den Schaltschrank kann das Gehäuse direkt auf eine Tragschiene montiert werden.

7.2.2. Elektrischer Anschluss



GEFAHR!

Verletzungsgefahr durch Stromschlag!

- Vor Herstellen der elektrischen Verbindungen, Spannung abschalten und vor Wiedereinschalten sichern!

→ Vor Inbetriebnahme der Steuerung alle erforderlichen Anschlüsse sorgfältig anschließen (siehe *Bild 3: Anschlussbelegung der Steuerung Typ 1094 EV*).

Es sind folgende Verbindungen zur Steuerung herzustellen:

- Betriebsspannung 24 V DC.
- Ausgangssignale für die Proportionalventile Typ 2832, 2832EV, 6022 für Seite 1 und Seite 2.
- Ausgangssignale für Relais' oder Schütze der Vakuumpumpen für Seite 1 und Seite 2.
- Frequenzeingangssignale vom Zapfsäulenrechner für Seite 1 und Seite 2.
- optional: Deseleingangssignale vom Zapfsäulenrechner für Seite 1 und Seite 2.

HINWEIS!

Hinweis für die einwandfreien Funktion der Steuerung!

Für die zu verwendenden Drahtverbindungen innerhalb der Zapfsäule bestehen keine besonderen Forderungen, da die zu übertragenden Ströme bzw. Leistungen sehr klein sind. Alle Ausgangsleitungen (Ventilausgang und Motorschützausgang) sollten jedoch geschirmte Leitungen sein.

- Um den guten Kontakt der elektrischen Verbindungen sicherzustellen, müssen alle verwendeten Kabel mit Aderendhülsen versehen sein.

8. BEDIENUNG UND FUNKTION

8.1. Sicherheitshinweise



WARNING!

Gefahr durch unsachgemäßen Bedienung!

Nicht sachgemäße Bedienung kann zu Verletzungen, sowie Schäden am Gerät und seiner Umgebung führen.

- Das Bedienungspersonal muss den Inhalt der Bedienungsanleitung kennen und verstanden haben.
- Die Sicherheitshinweise und die bestimmungsgemäße Verwendung müssen beachtet werden.
- Nur ausreichend geschultes Personal darf die Anlage/das Gerät bedienen.

8.2. Anzeigeelemente

Die Elektronik der Steuerung besitzt insgesamt 6 LEDs.

- Je eine rote und gelbe LED pro Seite (2 LEDs Seite 1, 2 LEDs Seite 2)
- Eine grüne LED zur Betriebsspannungsanzeige (Betriebs-LED)
- Eine rote LED ohne Anzeigefunktion (LED o. Funktion)

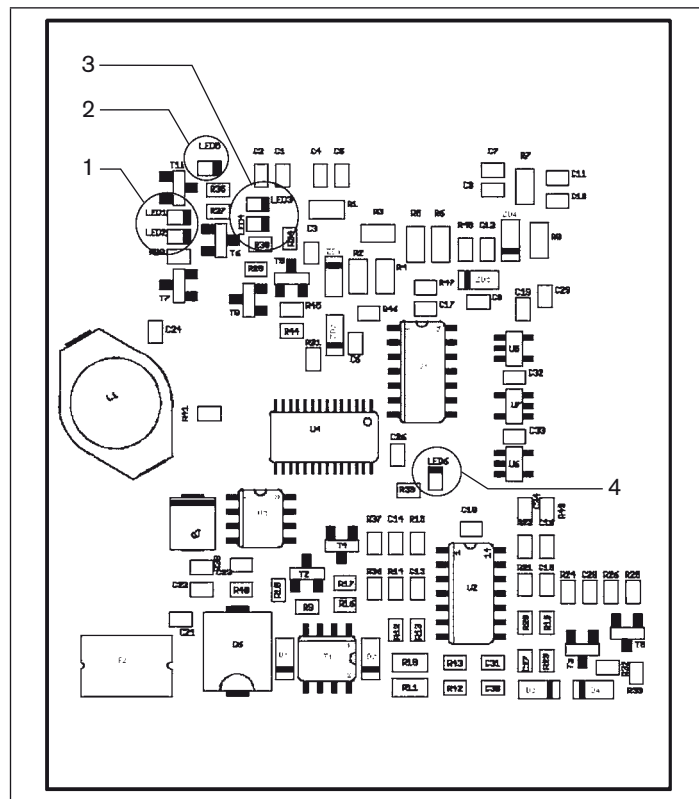


Bild 9: Anzeige-LEDs der Steuerung

Legende zu Bild 9:

Position	Beschreibung	Anzeigefunktion
1	LEDs für Seite 1:	
	LED rot LED gelb	Diagnose Anzeige Seite 1 Schaltausgang Motorschütz Seite 1
2	LED grün	Betriebsspannungsanzeige
3	LEDs für Seite 2:	
	LED rot LED gelb	Diagnose Anzeige Seite 2 Schaltausgang Motorschütz Seite 2
4	LED rot	Ohne Anzeigefunktion

Tabelle 2: LED-Anzeigefunktionen



Die rote LED (4) ohne Anzeigefunktion kann unter bestimmten Betriebszuständen flackern. Dies hat jedoch keinerlei Auswirkung auf die Funktion der gesamten Steuerung.

8.2.1. Anzeigefunktion Seiten-LEDs

Die gelbe LED (Tabelle 2: / Pos. 1, 3) zeigt an, dass der Schaltausgang für den Motorschütz der jeweiligen Seite aktiviert wurde.

Die rote LED (Tabelle 2: / Pos. 1, 3) zeigt eine Diagnose für die Ausgänge der jeweiligen Seite an.

Dabei gibt es unterschiedliche Zustände, die im folgenden Kapitel Fehlerdiagnose erläutert sind.

8.2.2. Fehler-Diagnose

Die Fehler Diagnose erfolgt über die roten LEDs für Seite 1 und Seite 2. Die beiden LEDs zeigen den Betriebszustand der jeweiligen Seite an.

In der nachfolgenden Tabelle sind die verschiedenen Zustände und ihre Bedeutung für die Fehlerdiagnose beschrieben.

Zustand	Beschreibung
Schnell blinkende LED	Das Ventil ist in Betrieb; es ist alles in Ordnung.
Langsam blinkende LED	Es wird nicht getankt; es ist alles in Ordnung.
LED dauerhaft an oder aus	Die Elektronik ist defekt.
1 Pulse alle 3 s	Die Elektronik ist nicht kalibriert.
2 Pulse alle 3 s	Der Ventilstrom ist zu niedrig. ⁽³⁾ Dies deutet darauf hin, dass das Ventil nicht angeschlossen ist.

Zustand	Beschreibung
3 Pulse alle 3 s	Der Ventilstrom ist zu hoch. Dies deutet darauf hin, dass ein falsches Ventil eingebaut wurde oder ein Kurzschluss vorliegt.
4 Pulse alle 3 s	Es ist kein Motorschütz angeschlossen. ⁴⁾
6 Pulse alle 3 s	Die Sicherung für den Ventilstrom ist defekt.

Tabelle 3: Fehlerdiagnose

- 4) Der Fehler „Es ist kein Motorschütz angeschlossen“ wird nur im nicht geschalteten Zustand angezeigt. Das bedeutet, dass dieser Fehler nur angezeigt werden kann wenn keine Frequenz am Benzinimpulseingang anliegt.
- 3) Der Fehler „Der Ventilstrom ist zu niedrig“ wird nur im geschalteten Zustand angezeigt.

8.3. Sicherungen

Das Gerät ist mit zwei Sicherungen ausgestattet

Die Hauptsicherung (F2) ist eine selbststrückstellende Sicherung mit einem Nennwert von 1,1A; sie überwacht die Gesamtstromaufnahme des Gerätes.

Die zweite Sicherung (F1) ist eine flinke Sicherung (5 x 20 mm) nach der Norm IEC 60127-2-1, mit einem Abschaltvermögen von 1500 A. Ihr Nennwert beträgt 800 mA; sie überwacht den Ventilstrom.

Die Elektronik überwacht die Funktionsfähigkeit der Sicherung und zeigt eine Störung mit den roten LEDs der beiden Seiten an (6 Pulse alle 3 s).

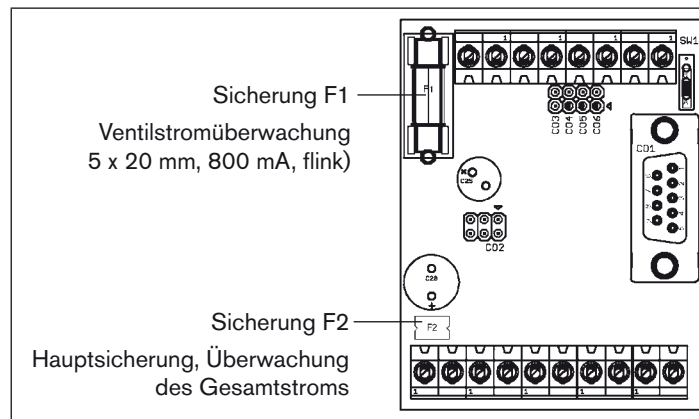


Bild 10: Position der Sicherungen

8.4. Einstellung und Bedienung der Steuerung

Zur Einstellung der Steuerung in einer Zapfsäule müssen alle Bauteile, Signalleitungen und die Gasuhr aus dem Kalibrierkoffer vorschriftsmäßig angeschlossen sein.

Seitenauswahl

Über den Schiebeschalter (Seitenwahl) kann jede Zapfsäulenseite separat angesteuert werden.

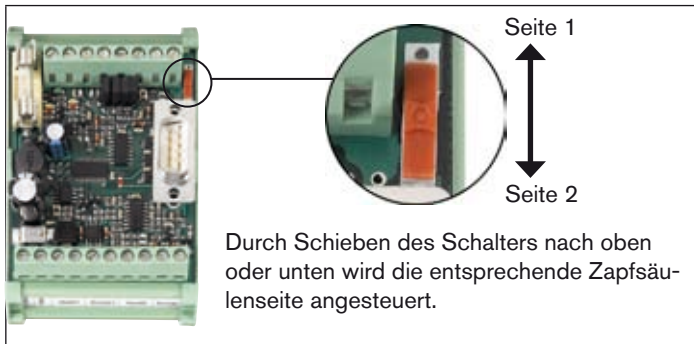


Bild 11: Seitenwahl der Zapfsäule

SUB-D Stecker

(Verbindung zum Handbediengerät Typ MKNE-1094)

Die Bedienung und Kalibrierung der Steuerung erfolgt ausschließlich über das externe Handbediengerät Typ MKNE-1094, welches über einen 9-poligen SUB-D-Stecker mit der Steuerung verbunden wird.

Belegung des SUB-D Steckers:

Pin	I/O	Beschreibung
1	nc	–
2	OUT	Clock der seriellen Kommunikation
3	BIDIR	Datenleitung
4	nc	–
5	PWR	GND
6	nc	–
7	PWR	+5 V
8	nc	–
9	nc	–

Tabelle 4: Belegung des SUB-D Steckers

8.4.1. Ersteinsatz und Kalibrierung der Steuerung

Die elektronische Steuerung zur Gasrückführung Typ 1094 EV ist programmgesteuert und muss vor ihrem Ersteinsatz an den realen Zapfsäulenprozess angepasst (kalibriert) werden.

Die Kalibrierung erfolgt mit dem separaten (externen) Handbediengerät Typ MKNE-1094.



Zu diesem externen Handbediengerät gehört eine separate Bedienungsanleitung. Lesen Sie diese Bedienungsanleitung sorgfältig durch und wählen Sie die für Ihren Anwendungsfall zutreffende Betriebsweise.



Bild 12: Handbediengerät Typ MKNE-1094



Vor der Kalibrierung müssen die Pulsrate, der K-Faktor und die Pumpennachlaufzeit bestimmt und eingegeben werden.

Hinweis: Bei Verwendung eines Scheidt & Bachmann-Handbediengerätes muss der K-Faktor während der Kalibrierung auf 1,00 gestellt werden.

8.4.2. Pulsrate und Frequenzeingang

Die vom Zapfsäulenrechner ausgegebene Pulsrate wird vom Zapfsäulenhersteller festgelegt.

Die angegebene Pulsrate kann mit dem Handbediengerät Typ MKNE-1094 an der Steuerung eingestellt werden.

8.4.3. K-Faktor für die Saugrate

Der K-Faktor für die Saugrate korrigiert den Unterschied der Durchflusseigenschaften von Luft und Benzindampf. Diese Korrektur ist erforderlich, da das Absaugsystem mit Atmosphärenluft eingemessen und später mit Benzindampf betrieben wird.

Der K-Faktor ist eine anlagenspezifische Größe. Er wird als Quotient der Volumenrate Luft zur Volumenrate Benzindampf ermittelt.



Weitere Hinweise zur Bestimmung des K-Faktors siehe Bedienungsanleitung Handbediengerät Typ MKNE-1094 (unter Kapitel „Einführung in die Technik der Gasrückführung“ die Absätze „Hinweise zur Volumenrate...“ und „Bestimmen des Korrekturfaktors“).

8.4.4. Pumpennachlaufzeit

Die Pumpennachlaufzeit ist die Verzögerungszeit der Vakuumpumpe, die zwischen dem Ende des Zapfvorgangs (Schließen des Proportionalventils) und dem Abschalten der Vakuumpumpe liegt.

Durch das Nachlaufen der Pumpe wird der noch in den Rohrleitungen befindliche Benzindampf abgesaugt.

Bei einem Einstellwert von 0s wird eine defekte Pumpe nicht mehr aktiviert.

8.4.5. Zapfsäulenbetrieb

Während der Kalibrierung erfasst die Steuerung automatisch die nicht-lineare Ventilstrom-Gasfluss-Kennlinie der gesamten Zapfsäulenanlage, speichert charakteristische Punkte und nimmt automatisch eine Linearisierung dieser Kennlinie durch lineare Interpolation vor.

Die Steuerung der abgesaugten Benzindampfmenge erfolgt über die linearisierte Kennlinie.

Nach erfolgter Kalibrierung wird der beim Befüllen eines Tanks verdrängte Benzindampf über die Saugleitung an der Zapfpistole automatisch abgesaugt.



Die Funktionsweise der Zapfsäule ist im Kapitel „5.4. Funktionsweise einer Zapfsäule mit Gasrückführung“ ausführlich beschrieben.

9. WARTUNG

Die Elektronische Ansteuerung für Gasrückführung ist bei einem Betrieb der den in dieser Anleitung gegebenen Anweisungen entspricht, wartungsfrei.

10. ZUBEHÖR

Neben der Steuerung Typ 1094 EV zur Gasrückführung gibt für die Gasrückführung folgendes weiteres Zubehör:

- Handbediengerät Typ MKNE-1094
- Selbstabgleichset bestehend aus
 - Handbediengerät Typ MKNE-1094
 - Gasuhr mit Impulsausgang
 - Adapter zur Verbindung der Gasuhr mit der Zapfpistole
 - Stabiler Koffer zur Aufbewahrung der Komponenten
- Netzteil für den Betrieb der Steuerung als AC-Gerät.

Bestellnummern:

Zubehör		Bestell-Nr.
Handbediengerät Typ MKNE 1094 EV	deutsch	645 854
	englisch	139 431
Abgleichset für Gasrückführung	deutsch	137 713
	englisch	704 296
TRACO-POWER-Netzteil, 24 V, TBL 30-124		770 156

Tabelle 5: Bestellnummern für Zubehör

11. VERPACKUNG, TRANSPORT,

HINWEIS!

Transportschäden!

Unzureichend geschützte Geräte können durch den Transport beschädigt werden.

- Gerät vor Nässe und Schmutz geschützt in einer stoßfesten Verpackung transportieren.
- Eine Über- bzw. Unterschreitung der zulässigen Lagertemperatur vermeiden.
- Elektrische Schnittstellen mit Schutzkappen vor Beschädigungen schützen.

12. LAGERUNG

HINWEIS!

Falsche Lagerung kann Schäden am Gerät verursachen.

- Gerät trocken und staubfrei lagern!
- Lagertemperatur: -40 ... 55 °C.

13. ENTSORGUNG

→ Entsorgen Sie das Gerät und die Verpackung umweltgerecht.

HINWEIS!

Umweltschäden durch von Medien kontaminierte Geräteteile.

- Geltende Entsorgungsvorschriften und Umweltbestimmungen einhalten.



Hinweis:

Beachten Sie die nationalen Abfallbeseitigungsvorschriften.

Commande électronique pour la recirculation des gaz de type 1094 EV

Sommaire :

1. LES INSTRUCTIONS DE SERVICE.....	57	5.4. Mode de fonctionnement d'une pompe à essence avec recirculation des gaz	62
1.1. Symboles.....	57	6. CARACTÉRISTIQUES TECHNIQUES	64
2. UTILISATION CONFORME.....	58	6.1. Conditions d'exploitation	64
2.1. Limitations	58	6.2. Conformité avec les normes suivantes	64
2.2. Mauvaise utilisation prévisible.....	58	6.3. Caractéristiques techniques générales	64
3. CONSIGNES DE SÉCURITÉ FONDAMENTALES.....	59	6.4. Caractéristiques électriques	65
4. INDICATIONS GÉNÉRALES.....	60	6.5. Affectation du raccordement.....	65
4.1. Fourniture.....	60	7. MONTAGE	70
4.2. Adresses.....	60	7.1. Documents importants	70
4.3. Garantie légale.....	61	7.2. Montage	70
4.4. Informations sur Internet.....	61	8. UTILISATION ET FONCTIONNEMENT.....	72
5. DESCRIPTION DU SYSTÈME	61	8.1. Consignes de sécurité	72
5.1. Description générale du domaine d'utilisation	61	8.2. Eléments d'affichage.....	72
5.2. Le principe de recirculation des gaz	61	8.3. Fusibles.....	74
5.3. Mode de fonctionnement de la commande électronique.....	62	8.4. Réglage et utilisation de la commande	75

9. MAINTENANCE.....	77
10. ACCESSOIRES	78
11. EMBALLAGE, TRANSPORT,	78
12. STOCKAGE	79
13. ELIMINATION	79

1. LES INSTRUCTIONS DE SERVICE

Les instructions de service décrivent le cycle de vie complet de l'appareil. Conservez ces instructions de sorte qu'elles soient accessibles à tout utilisateur et à disposition de tout nouveau propriétaire.

Les instructions de service contiennent des informations importantes sur la sécurité !

Le non-respect de ces consignes peut entraîner des situations dangereuses.

- Les instructions de service doivent être lues et comprises.

1.1. Symboles



DANGER !

Met en garde contre un danger imminent !

- Le non-respect peut entraîner la mort ou de graves blessures.



AVERTISSEMENT !

Met en garde contre une situation éventuellement dangereuse !

- Risque de blessures graves, voire la mort en cas de non-respect.



ATTENTION !

Met en garde contre un risque possible !

- Le non-respect peut entraîner des blessures légères ou de moyenne gravité.

REMARQUE !

Met en garde contre des dommages matériels !

- L'appareil ou l'installation peut être endommagé(e) en cas de non-respect.



désigne des informations supplémentaires importantes, des conseils et des recommandations.



renvoie à des informations dans ces instructions de service ou dans d'autres documentations.

→ identifie une opération que vous devez effectuer.

2. UTILISATION CONFORME

L'utilisation non conforme de la commande électronique pour la recirculation des gaz du type 1094 EV peut présenter des dangers pour les personnes, les installations avoisinantes et l'environnement.

- L'appareil est conçu pour la commande électronique de la recirculation des gaz dans les installations de réservoirs à carburant.
- Lors de l'utilisation, il convient de respecter les données et conditions d'utilisation et d'exploitation admissibles spécifiées dans les instructions de service et dans les documents contractuels. Celles-ci sont décrites au chapitre « *Description du système* » et « *Caractéristiques techniques* ».
- L'appareil peut être utilisé uniquement en association avec les appareils et composants étrangers recommandés et homologués par Bürkert.
- Les conditions pour l'utilisation sûre et parfaite sont un transport, un stockage et une installation dans les règles ainsi qu'une parfaite utilisation et maintenance.
- Veillez à ce que l'utilisation de l'appareil soit toujours conforme.

2.1. Limitations

Lors de l'exportation du système / de l'appareil, veuillez respecter les limitations éventuelles existantes.

2.2. Mauvaise utilisation prévisible

- La commande électronique pour la recirculation des gaz de type 1094 EV ne doit pas être utilisée dans des zones présentant des risques d'explosion.
- Ne soumettez pas le corps à des contraintes mécaniques (par ex. pour déposer des objets ou en l'utilisant comme marche).
- N'apportez pas de modifications à l'extérieur du corps de l'appareil. Ne laquez pas les pièces du corps et les vis.

3. CONSIGNES DE SÉCURITÉ FONDAMENTALES

Ces consignes de sécurité ne tiennent pas compte

- des hasards et des événements pouvant survenir lors du montage, de l'exploitation et de l'entretien des appareils.
- des prescriptions de sécurité locales que l'exploitant est tenu de faire respecter par le personnel chargé du montage.



DANGER !

Danger présenté par la tension électrique !

- Avant d'intervenir dans l'appareil ou l'installation, coupez la tension et empêchez toute remise sous tension par inadvertance !
- Veuillez respecter les réglementations en vigueur pour les appareils électriques en matière de prévention des accidents ainsi qu'en matière de sécurité !



AVERTISSEMENT !

Situations dangereuses d'ordre général.

Pour prévenir les blessures, respectez ce qui suit :

- L'installation ne peut pas être actionnée par inadvertance.
- Les travaux d'installation et de maintenance doivent être effectués uniquement par des techniciens qualifiés et habilités disposant de l'outillage approprié.
- Après une interruption de l'alimentation électrique ou pneumatique, un redémarrage défini ou contrôlé du processus doit être garanti.
- L'appareil doit être utilisé uniquement en parfait état et en respectant les instructions de service.
- Les règles générales de la technique sont d'application pour planifier l'utilisation et utiliser l'appareil.

REMARQUE !

Éléments / sous-groupes sujets aux risques électrostatiques !

L'appareil contient des éléments électroniques sensibles aux décharges électrostatiques (ESD). Ces éléments sont affectés par le contact avec des personnes ou des objets ayant une charge électrostatique. Au pire, ils sont immédiatement détruits ou tombent en panne après mise en service.

- Respectez les exigences selon EN 61340-5-1 et 5-2 pour minimiser ou éviter la possibilité d'un dommage causé par une soudaine décharge électrostatique !
- Veuillez également à ne pas toucher d'éléments électroniques lorsqu'ils sont sous tension !



La commande électronique pour la recirculation des gaz de type 1094 EV a été développée dans le respect des règles reconnues en matière de sécurité et correspond à l'état actuel de la technique. Néanmoins, des risques peuvent se présenter.

Le non-respect de ces instructions de service avec ses consignes ainsi que les interventions non autorisées sur l'appareil excluent toute responsabilité de notre part et entraînent la nullité de la garantie légale concernant les appareils et les accessoires !

4. INDICATIONS GÉNÉRALES

4.1. Fourniture

Dès réception de l'envoi, assurez-vous que le contenu n'est pas endommagé et correspond au bon de livraison ou à la liste de colisage pour ce qui concerne le type et la quantité.

En cas de différences, veuillez nous contacter immédiatement.

4.2. Adresses

Allemagne

Bürkert Fluid Control Systems
Sales Center
Chr.-Bürkert-Str. 13-17
D-74653 Ingelfingen
Tel. + 49 (0) 7940 - 10 91 111
Fax + 49 (0) 7940 - 10 91 448
E-mail : info@de.buerkert.com

International

Les adresses se trouvent aux dernières pages des instructions de service imprimées.

Egalement sur internet sous :

www.burkert.com → Bürkert → Company → Locations

4.3. Garantie légale

Cet imprimé ne contient aucune promesse de garantie. A cet effet, nous renvoyons à nos conditions générales de vente et de livraison. La condition pour bénéficier de la garantie légale est l'utilisation conforme de la commande électronique pour la recirculation des gaz dans le respect des conditions d'utilisation spécifiées.



La garantie légale ne couvre que l'absence de défaut de la commande électronique pour la recirculation des gaz de type 1094 EV et de ses composants.

Nous déclinons toute responsabilité pour les dommages de toute nature qui résultent de la panne ou du dysfonctionnement de l'appareil.

4.4. Informations sur Internet

Vous trouverez sur Internet les instructions de service et fiches techniques relatives au type 1094 EV :

www.buerkert.fr → Fiches techniques → Type

De plus, il est possible de commander, sous le numéro d'identification 804625 un CD, sur lequel figurent ces instructions de service ainsi que les instructions pour d'autres produits Bürkert.

5. DESCRIPTION DU SYSTÈME

5.1. Description générale du domaine d'utilisation

Lors du ravitaillement en carburant d'un véhicule, des vapeurs de carburant équivalentes au volume d'essence extrait du réservoir sont chassées du réservoir. Ces vapeurs doivent être aspirées pour éviter qu'elles ne s'échappent dans l'atmosphère.

Dans la solution proposée par Bürkert, cette procédure d'aspiration est réalisée par dépression via une vanne proportionnelle montée en amont dans le réservoir de la pompe à essence.

5.2. Le principe de recirculation des gaz

Une pompe aspirante refoule les vapeurs d'essence hors du réservoir du véhicule et les comprime dans le réservoir de la pompe à essence.

Pour éviter toute surpression dans le réservoir de stockage, le bilan volumétrique entre l'essence prélevée et les vapeurs d'essence remises en circulation doit être équilibré.

Le volume d'essence transvasé dans le réservoir du véhicule est mesuré par le biais d'un compteur à piston étalonné de la pompe à essence, convertit en signal de synchronisation par l'ordinateur de la pompe et envoyé à la commande électronique qui équilibre ensuite le bilan volumétrique par le biais d'une vanne proportionnelle.

5.3. Mode de fonctionnement de la commande électronique

La commande électronique (voir Fig. 1 :) analyse deux signaux de synchronisation de l'ordinateur de la pompe et, par l'intermédiaire de deux signaux de réglage PWM électriques, commande l'ouverture de débit des vannes de réglage correspondantes (vanne proportionnelle antidéflagrante de type 2832, 2832EV, 6022), et donc le débit volumétrique des vapeurs d'essence remises en circulation.

La commande est également équipée de deux entrées de diesel. Si cette entrée est active, l'activation des vannes de régulation est bloquée.



Fig. 1 : Commande électronique de type 1094 EV

5.4. Mode de fonctionnement d'une pompe à essence avec recirculation des gaz

Pour garantir une aspiration homogène dans l'ensemble de la plage d'activation, une courbe caractéristique linéaire est nécessaire.

C'est pourquoi la courbe caractéristique du débit de gaz de la vanne, non linéaire à l'origine, doit être corrigée. Pour cela, différents points de la courbe caractéristique sont automatiquement enregistrés dans la mémoire de la commande lors du réglage de l'installation avec un appareil à commande manuelle (type MKNE-1094). Le nombre de points dépend de la courbe caractéristique et est défini par l'appareil à commande manuelle. La correction de la courbe caractéristique est réalisée automatiquement par interpolation linéaire entre ces points.

Au début de la procédure de prélèvement, le volume d'essence prélevé est calculé dans la commande à partir du taux d'impulsions mesuré.

La valeur de consigne du courant de vanne est alors déterminée en prenant en compte la courbe caractéristique linéarisée et le facteur K du taux d'aspiration et la vanne proportionnelle pour l'aspiration des vapeurs d'essence est activée.

Lors de l'activation de la vanne proportionnelle, la pompe à vide est également mise en service pour la création de la dépression.

Au terme de la procédure de prélèvement, l'ordinateur de la pompe à carburant ne délivre plus aucune impulsion et la vanne proportionnelle pour la recirculation des gaz est fermée.

La pompe à vide est également désactivée au terme de la marche à vide.

5.4.1. Schéma fonctionnel

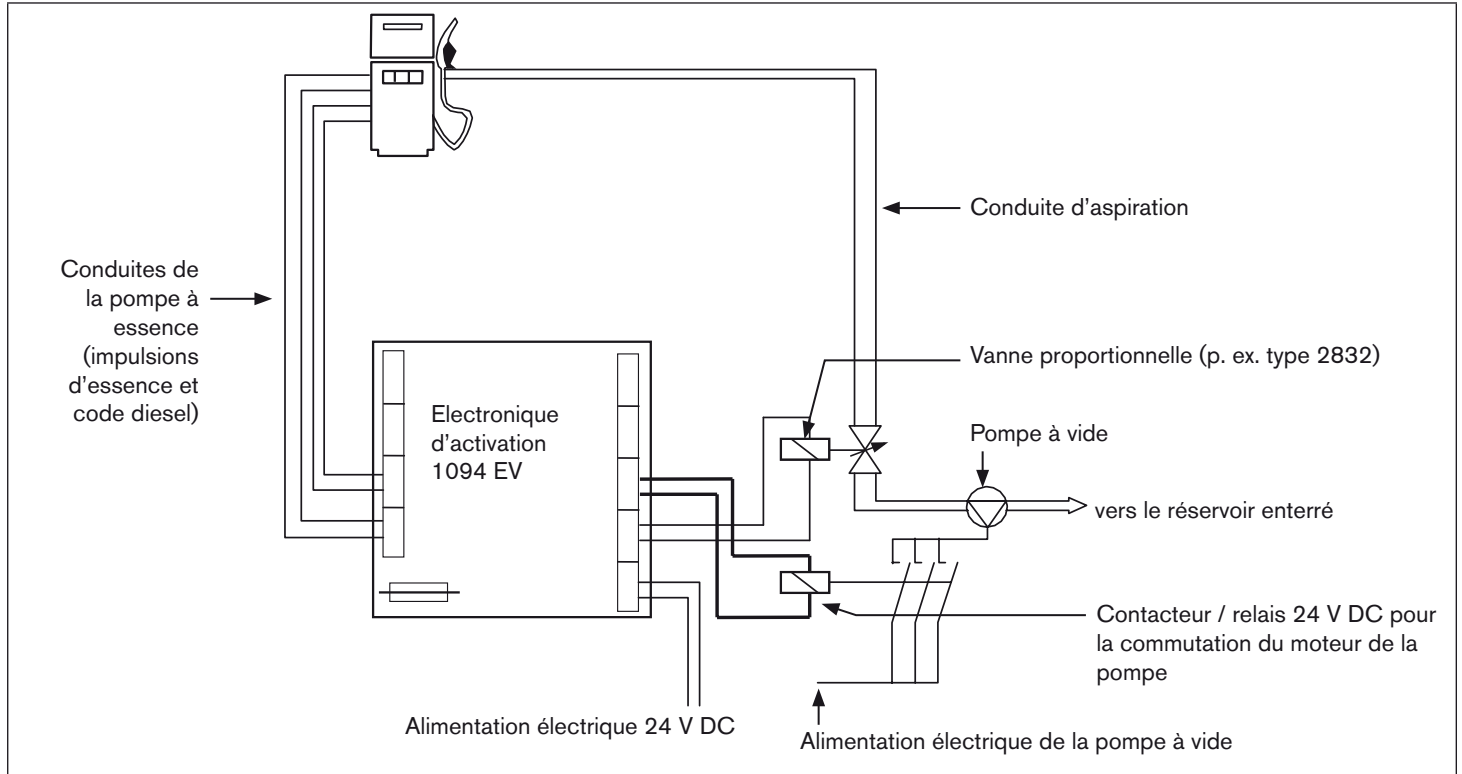


Fig. 2 : Schéma fonctionnel d'une pompe à essence avec recirculation des gaz

6. CARACTÉRISTIQUES TECHNIQUES

6.1. Conditions d'exploitation



AVERTISSEMENT !

Risque d'explosion !

La commande de 1094 EV présente la classe de protection IP00 et est conçue pour l'utilisation dans les zones protégées contre les explosions. En cas d'utilisation dans la zone des installations de réservoirs à carburant, un court-circuit dans la commande pourrait conduire à une explosion.

- En cas d'utilisation dans la zone de l'installation de réservoirs à carburant, la commande de type 1094 EV doit être installée dans une armoire électrique avec la classe de protection correspondante.

Température ambiante admissible : -25 ... +55 °C
(pas de givrage autorisé)

Humidité de l'air admissible : 5 ... 85 %
(pas de condensation autorisée)

REMARQUE !

Endommagement de l'appareil dû au givrage ou à l'humidité !

La glace et l'humidité peuvent endommager l'appareil et entraîner une panne de fonctionnement.

- Protéger l'appareil contre le givrage et l'humidité due à la rosée etc.

Classe de protection : IP00, le système électronique est uniquement prévu pour le fonctionnement dans une armoire électrique.

6.2. Conformité avec les normes suivantes

Conforme au label CE selon

norme de base CEM
IEC-61000-6-1
IEC-61000-6-2
IEC-61000-6-3
IEC-61000-6-4

BlmSchV

Bundes-Immissionsschutz-Verordnung,
(règlement fédéral allemand relatif à la lutte contre la pollution)

21e BlmSchV ; décret sur la limitation des émissions d'hydrocarbures lors du ravitaillement des véhicules en carburant

6.3. Caractéristiques techniques générales

Boîtier : Boîtier ouvert pour le montage sur des profilés supports selon DIN EN 50022 / DIN EN 50035 / DIN EN 50045

Dimensions : 68 x 76 x 35 mm

Numéro de commande : 208373

Type 1094 EV

Caractéristiques techniques

6.4. Caractéristiques électriques

Tension d'alimentation : 24 V DC \pm 10 %

230 V / 50 Hz -15 % / +10 %

(en liaison avec un bloc d'alimentation,
voir accessoires)

115 V / 60 Hz -15 % / +10 %

(en liaison avec un bloc d'alimentation,
voir accessoires)

Courant absorbé : 30 mA (sans courant de vanne)

700 mA (avec courant de vanne de
2 vannes proportionnelles, par exemple
type 2932, 2832 EV, 6022 et appareil à
commande manuelle raccordé)

6.5. Affectation du raccordement

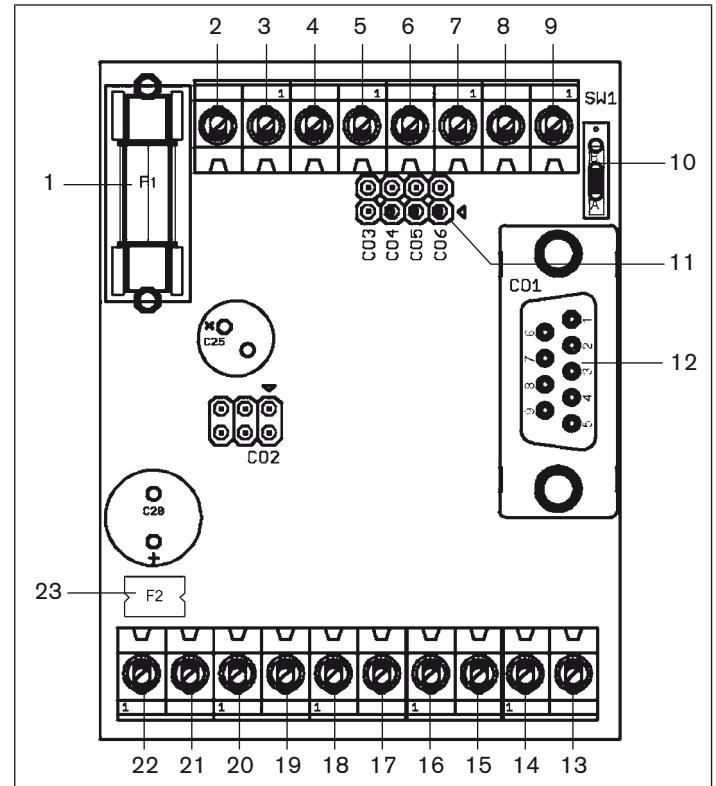


Fig. 3 : Affectation de raccordement de la commande de type 1094 EV

Légende de la Fig. 3 :

Position	Affectation	Description
1		Fusible F1, vannes proportionnelles
2	+ entrée	Entrée de fréquence
3	GND	Impulsion d'essence côté 1
4	+ entrée	Code diesel côté 1
5	GND	
6	+ entrée	Entrée de fréquence
7	GND	Impulsion d'essence côté 2
8	+ entrée	Code diesel côté 2
9	GND	
10		Commutateur pour le choix du côté lors de la communication avec l'appareil à commande manuelle
11		Cavalier C03 à C06 pour la sélection du signal « Emetteur ouvert » ou « Collecteur ouvert » du code diesel et de l'entrée de fréquence
12		Interface appareil à commande manuelle
13	GND	Commande contacteur du moteur
14	+ sortie	Côté 2

Position	Affectation	Description
15	GND	Commande vanne proportionnelle
16	+ sortie	Côté 2
17	GND	Commande contacteur du moteur
18	+ sortie	Côté 1
19	GND	Commande vanne proportionnelle
20	+ sortie	Côté 1
12	GND	Alimentation 24 V
22	+ 24 V	
23		Fusible F2 Fusible principal surveillance du courant total

Tableau 1 : Affectation de raccordement de la commande de type 1094 EV

6.5.1. Entrées de fréquence / impulsions d'essence

Le débit volumétrique de l'essence prélevée est mesuré par le compteur à piston, convertit en un signal de synchronisation à fréquence proportionnelle par l'ordinateur de la pompe à essence et commuté sur l'entrée de fréquence de la commande (Fig. 4 :).

Ce signal de synchronisation est traité dans la commande comme valeur réelle du débit volumétrique de l'essence.

Impulsion niveau élevé :	3,4 V ... 26 V
Impulsion niveau bas :	0 V ... +0,9 V
Résistance d'entrée :	> 10 kΩ
Courant d'entrée max. :	5 mA
Durée d'impulsion min. :	400 μs
Taux de mesure :	1 mesure/0,75 s
Résolution :	1 Hz
Plage de mesure :	0 ... 51 l/min
Taux d'impulsions :	Réglable via l'appareil à commande manuelle de 31 à 200 impulsions/litre

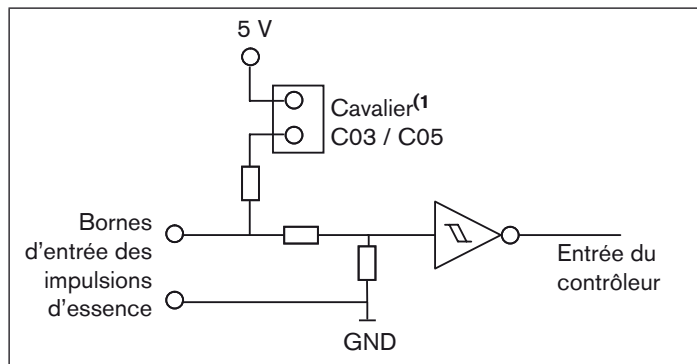


Fig. 4 : Entrée de fréquence de la commande de type 1094 EV

⁽¹⁾ Grâce au cavalier C0 (C03 pour le côté 1 et C05 pour le côté 2), il est possible de commuter l'entrée « Emetteur ouvert » sur « Collecteur ouvert ».

6.5.2. Entrées diesel / code diesel

Impulsion niveau élevé :	3,4 V ... 26 V
Impulsion niveau bas :	0 V ... +0,9 V
Résistance d'entrée :	> 10 kΩ
Courant d'entrée max. :	5 mA
Durée d'impulsion min. :	400 μs
Taux de mesure :	1 mesure/0,75 s
Résolution :	1 Hz
Plage de mesure :	0 ... 51 l/min

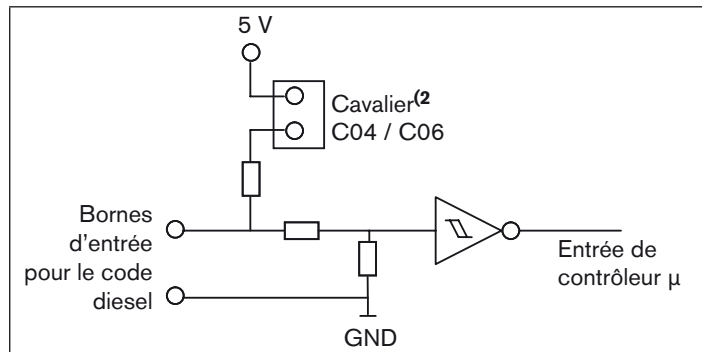


Fig. 5 : Entrée de diesel de la commande de type 1094 EV

⁽²⁾ Grâce au cavalier CO (CO4 pour le côté 1 et CO6 pour le côté 2), il est possible de commuter l'entrée « Emetteur ouvert » sur « Collecteur ouvert ». Le niveau au moment du démarrage du système électronique détermine si l'entrée active est « high » ou « low ».

6.5.3. Sorties / vannes

Courant de charge :	0 ... 250 mA
Tension de sortie :	24 V DC
Fréquence des impulsions :	250 Hz
Nombre de sorties :	2 (resp. 1 sortie pour le côté 1 et pour le côté 2)

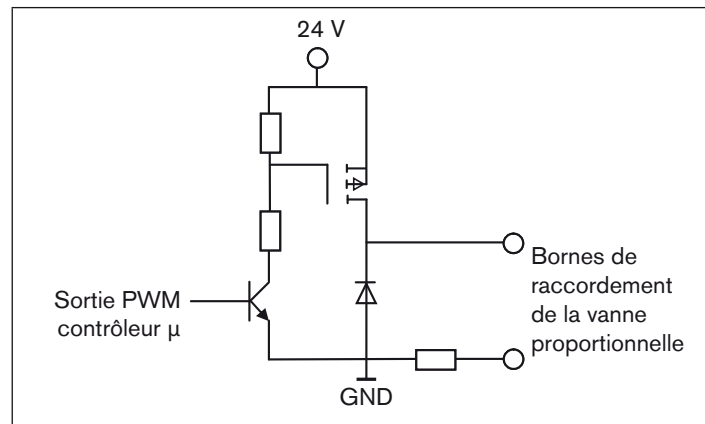


Fig. 6 : Sortie de vanne de la commande de type 1094 EV

Pour le réglage de la vanne proportionnelle de type 2832, 2832EV, 6022, la commande délivre des signaux PWM via un transistor.

6.5.4. Sorties / contacteur du moteur

La sortie du contacteur du moteur est activée par la commande aussi longtemps que la vanne proportionnelle est ouverte.

A l'aide de ce contacteur / relais, le moteur de la pompe à vide est commuté.

De plus, il est possible de régler une durée de marche à vide pour la pompe à vide (contacteur du moteur), pendant laquelle le signal reste actif. Si la marche à vide est réglée sur 0 s, le contacteur du moteur n'est pas activé. Cette fonction est utile en cas de moteurs défectueux.

Courant de charge : 0 ... 150 mA

Tension de sortie : 24 V DC

Nombre de sorties : 2 (resp. 1 sortie pour le côté 1 et pour le côté 2)

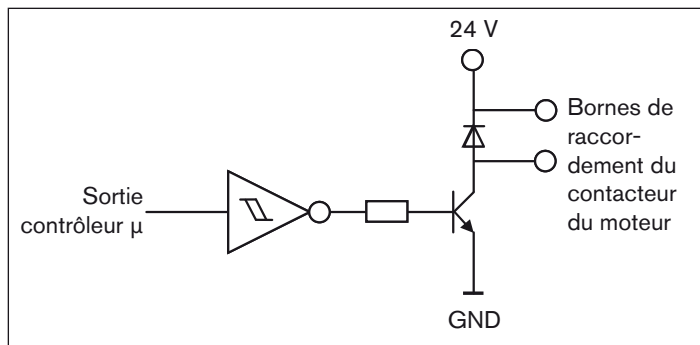


Fig. 7 : Sortie du contacteur du moteur de la commande de type 1094 EV

6.5.5. Fonctionnement comme appareil AC sur 230/115 V

Un bloc d'alimentation a été installé pour le fonctionnement de la recirculation des gaz 1094 EV. Ce bloc d'alimentation présente les données suivantes :

Fabricant :	TRACO POWER
Désignation :	Industrial Power Supply
Modèle :	TBL 030-124
Tension d'alimentation :	100 ... 240 V 50/60 Hz -15 % / +10 %
Courant absorbé maxi :	0,5 ... 0,9 A
Tension de sortie :	24 V DC ±10 %
Courant de sortie max. :	1,25 A
Puissance de sortie max. :	30 W



Fig. 8 : Commande de type 1094 EV avec bloc d'alimentation 24 V

7. MONTAGE

7.1. Documents importants



Pour le raccordement des différents composants de la pompe à la commande de type 1094 EV, il est nécessaire de disposer des conditions d'interface telles que les niveaux, les taux d'impulsions, les résistances, les courants, etc. Vous les trouverez sur les fiches techniques et/ou dans les notices d'utilisation des différents composants.

La documentation complète des pompes à carburant est disponible auprès du fournisseur ou du fabricant de la pompe à carburant.

→ Préparez les documents suivants pour la mise en service de la commande :

- Instructions de service du compteur à pistons / de l'ordinateur de la pompe à carburant
- Instructions de service de la vanne proportionnelle de type 2832, 2832EV, 6022 de Bürkert
- Instructions de service de la pompe à vide - nécessaire pour le réglage du facteur de correction
- Instructions de service de l'appareil à commande manuelle de type MKNE-1094 de Bürkert

7.2. Montage

7.2.1. Consignes de sécurité



DANGER !

Risque de choc électrique !

- Avant d'intervenir dans l'appareil ou l'installation, coupez la tension et empêchez toute remise sous tension par inadvertance !
- Veuillez respecter les réglementations en vigueur pour les appareils électriques en matière de prévention des accidents ainsi qu'en matière de sécurité !



AVERTISSEMENT !

Risque de blessures dû à un montage non conforme !

- Le montage doit être effectué uniquement par un personnel qualifié et habilité disposant de l'outillage approprié !

Risque d'explosion !

- En cas d'utilisation dans la zone de l'installation de réservoirs à carburant, la commande de type 1094 EV doit être installée dans une armoire électrique avec la classe de protection correspondante.

Pour le montage de la commande dans l'armoire électrique, il est possible d'installer le boîtier directement sur un profilé support.

7.2.2. Raccordement électrique



DANGER !

Risque de choc électrique !

- Avant d'établir les connexions électriques, coupez la tension et empêchez toute remise sous tension par inadvertance !

→ Avant la mise en service de la commande, établissez prudemment tous les raccordements nécessaires (voir *Fig. 3 : Affectation de raccordement de la commande de type 1094 EV*).

Les connexions suivantes doivent être établies au niveau de la commande :

- Tension de service 24 V DC.
- Signaux de sortie pour les vannes proportionnelles de type 2832, 2832EV, 6022 pour les côtés 1 et 2.
- Signaux de sortie pour le relais ou le contacteur des pompes à vide des côtés 1 et 2.
- Signaux d'entrée de fréquence de l'ordinateur de la pompe à carburant pour les côtés 1 et 2.
- En option : signaux d'entrée diesel de l'ordinateur de la pompe à carburant des côtés 1 et 2.

REMARQUE !

Remarque concernant le fonctionnement correct de la commande !

Pour les liaisons par fil à utiliser dans la pompe à carburant, il n'y a pas d'exigences particulières car les courants ou puissances à transmettre sont très faibles. Toutes les lignes de sortie (sortie de vanne et sortie du contacteur du moteur) doivent tout de même être blindées.

- Afin de garantir le bon contact des connexions électriques, tous les câbles utilisés doivent être munis d'embouts.

8. UTILISATION ET FONCTIONNEMENT

8.1. Consignes de sécurité



AVERTISSEMENT !

Danger dû à une utilisation non conforme !

Une utilisation non conforme peut entraîner des blessures et endommager l'appareil et son environnement.

- Les opérateurs doivent connaître le contenu des instructions de service et les avoir comprises.
- Respectez les consignes de sécurité et l'utilisation conforme.
- L'appareil / l'installation doit uniquement être utilisé(e) par un personnel suffisamment formé.

8.2. Eléments d'affichage

L'électronique de la commande possède 6 LED en tout.

- Respectivement une LED rouge et une LED jaune par côté (2 LED côté 1, 2 LED côté 2)
- Une LED verte pour l'affichage de la tension de service (LED de service)
- Une LED rouge sans fonction d'affichage (LED sans fonction)

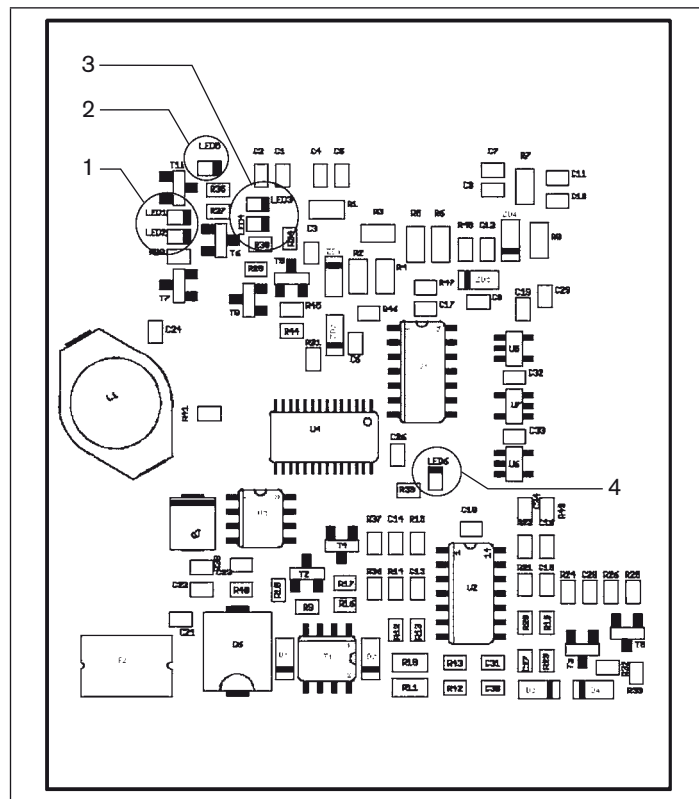


Fig. 9 : LED d'affichage de la commande

Légende de la Fig. 9 :

Position	Description	Fonction d'affichage
1	LED côté 1 :	Affichage diagnostic côté 1 Sortie de commutation contacteur de moteur coté 1
	LED rouge	
	LED jaune	
2	LED verte	Affichage de la tension de service
3	LED côté 2 :	Affichage diagnostic côté 2 Sortie de commutation contacteur de moteur coté 2
	LED rouge	
	LED jaune	
4	LED rouge	Sans fonction d'affichage

Tableau 2 : Fonctions d'affichage LED



La LED rouge (4) sans fonction d'affichage peut scintiller dans certains états de service. Cela n'a cependant aucune influence sur le fonctionnement de la commande complète.

8.2.1. Fonction d'affichage LED latérales

La LED jaune (*Tableau 2 : / Pos.1, 3*) indique que la sortie de commutation pour le contacteur du moteur du côté respectif a été activée.

La LED rouge (*Tableau 2 : / Pos.1, 3*) indique un diagnostic pour les sorties du côté correspondant.

Il existe différents états expliqués dans le chapitre suivant « Diagnostic des erreurs ».

8.2.2. Diagnostic des erreurs

Les erreurs sont diagnostiquées via les LED rouges des côtés 1 et 2. Les deux LED indiquent les états de service du côté correspondant.

Les différents états et leur signification pour le diagnostic des erreurs sont décrits dans le tableau suivant.

Etat	Description
LED clignote rapidement	La vanne est en service ; tout est ok.
LED clignote lentement	Pas de ravitaillement ; tout est ok.
LED allumée ou éteinte en permanence	Le système électronique est défectueux.
1 impulsions toutes les 3 s	Le système électronique n'est pas étalonné.
2 impulsions toutes les 3 s	Le courant de vanne est insuffisant. ⁽³⁾ Cela indique que la vanne n'est pas raccordée.

Etat	Description
3 impulsions toutes les 3 s	Le courant de vanne est trop élevé. Cela indique qu'une vanne incorrecte a été montée ou signale la présence d'un court-circuit.
4 impulsions toutes les 3 s	Aucun contacteur de moteur raccordé. ⁽⁴⁾
6 impulsions toutes les 3 s	Le fusible pour le courant de vanne est défectueux.

Tableau 3 : Diagnostic des erreurs

- 4) L'erreur « Aucun contacteur de moteur raccordé » est uniquement affichée à l'état non commuté. Cela signifie que cette erreur peut uniquement être affichée lorsque l'entrée d'impulsions d'essence n'est soumise à aucune fréquence.
- 3) L'erreur « Le courant de vanne est insuffisant » est uniquement affichée à l'état commuté.

8.3. Fusibles

L'appareil est équipé de deux fusibles.

Le fusible principal (F2) est un fusible à retour automatique avec une valeur nominale de 1,1A ; il contrôle le courant absorbé total de l'appareil.

Le deuxième fusible (F1) est un fusible à action instantanée (5 x 20 mm) selon la norme IEC 60127-2-1, avec une capacité de coupure de 1500 A. Sa valeur nominale est de 800 mA ; il surveille le courant de vanne.

Le système électronique contrôle la fonctionnalité du fusible et signale tout dérangement à l'aide des LED rouges des deux côtés (6 impulsions toutes les 3 s).

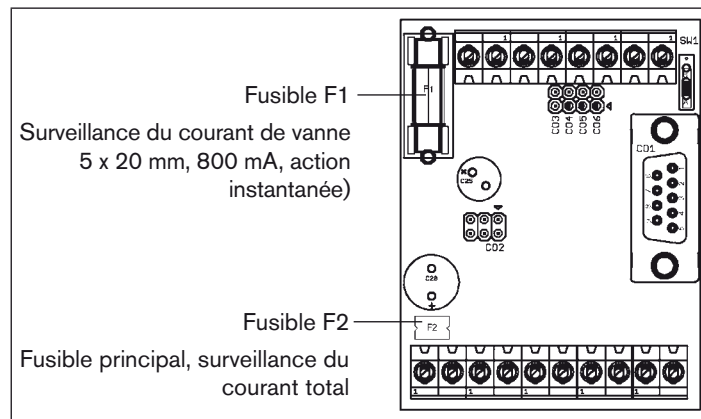


Fig. 10 : Position des fusibles

8.4. Réglage et utilisation de la commande

Pour le réglage de la commande dans une pompe à carburant, tous les composants, lignes de signalisation et le compteur à gaz du coffret d'étalonnage doivent être raccordés conformément.

Sélection du côté

Le commutateur à coulisse (choix du côté) permet d'activer séparément chaque côté de la pompe à carburant.

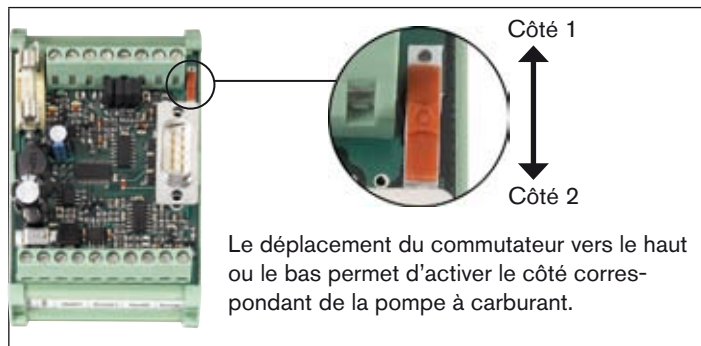


Fig. 11 : Choix du côté de la pompe à carburant

Connecteur SUB-D (connexion avec l'appareil à commande manuelle de type MKNE-1094)

La commande et l'étalonnage de la commande sont uniquement réalisés via l'appareil à commande manuelle de type MKNE-1094, raccordé à la commande via un connecteur SUB-D à 9 pôles.

Affectation du connecteur SUB D :

Broche	I/O	Description
1	nc	–
2	OUT	Horloge de la communication sérielle
3	BIDIR	Ligne de transmission de données
4	nc	–
5	PWR	GND
6	nc	–
7	PWR	+5 V
8	nc	–
9	nc	–

Tableau 4 : Affectation du connecteur SUB D

8.4.1. Première utilisation et étalonnage de la commande

La commande électronique pour la recirculation des gaz de type 1094 EV est commandée par programme et doit être adaptée (étalonnée) au processus réel de la pompe à carburant avant sa première utilisation.

L'étalonnage est réalisé avec un appareil à commande manuelle séparé (externe) de type MKNE-1094.



Cet appareil à commande manuelle est accompagné d'instructions de service séparées. Veuillez lire attentivement ces instructions de service et choisissez le mode de fonctionnement adapté à votre cas d'application.



Fig. 12 : Appareil à commande manuelle de type MKNE-1094



Avant l'étalonnage, il est nécessaire de déterminer et d'entrer le taux d'impulsions, le facteur K et la marche à vide de la pompe.

Remarque : En cas d'utilisation d'un appareil à commande manuelle Scheidt & Bachmann, le facteur K doit être réglé sur 1,00 lors de l'étalonnage.

8.4.2. Taux d'impulsions et entrée de fréquence

Le taux d'impulsions émis par l'ordinateur de la pompe à carburant est défini par le fabricant de cette dernière.

Il est possible de régler le taux d'impulsions indiqué à l'aide de l'appareil à commande manuelle de type MKNE-1094 au niveau de la commande.

8.4.3. Facteur K pour le taux d'aspiration

Le facteur K pour le taux d'aspiration corrige la différence entre les propriétés de débit de l'air et des vapeurs d'essence. Cette correction est nécessaire car le système d'aspiration est étalonné avec l'air atmosphérique puis exploité avec des valeurs d'essence.

Le facteur K est une grandeur spécifique de l'installation. Il est déterminé comme étant le quotient entre le débit volumique de l'air et celui des vapeurs d'essence.



Vous trouverez d'autres remarques concernant la détermination du facteur K dans les instructions de service de l'appareil à commande manuelle de type MKNE-1094 (au chapitre « Introduction à la technique de recirculation des gaz », sections « Remarques concernant le débit volumique... » et « Détermination du facteur de correction »).

8.4.4. Marche à vide de la pompe

La marche à vide de la pompe est la temporisation de la pompe à vide entre la fin du prélèvement (fermeture de la vanne proportionnelle) et la coupure de la pompe à vide.

Lors de la marche à vide de la pompe, les vapeurs d'essence qui se trouvent encore dans les conduites sont aspirées.

Dans le cas d'une valeur de réglage de 0 s, une pompe défectueuse n'est plus activée.

8.4.5. Fonctionnement de la pompe à carburant

Au cours de l'étalonnage, la commande enregistre automatiquement la courbe caractéristique non linéaire du débit de gaz du courant de vanne de l'ensemble de l'installation de pompes à carburant, enregistre les points caractéristiques et effectue automatiquement une linéarisation de cette courbe caractéristique par interpolation linéaire.

La commande du volume de vapeurs d'essence aspiré est réalisée via la courbe caractéristique linéarisée.

Au terme de l'étalonnage, les vapeurs d'essence chassées lors du remplissage du réservoir sont automatiquement aspirées par la conduite d'aspiration au niveau du pistolet de prélèvement.



Le mode de fonctionnement de la pompe à essence est décrit en détail au chapitre « 5.4. Mode de fonctionnement d'une pompe à essence avec recirculation des gaz ».

9. MAINTENANCE

La commande électronique pour la recirculation des gaz ne nécessite aucune maintenance en cas de fonctionnement conforme aux instructions de cette notice.

10. ACCESSOIRES

Parallèlement à la commande de type 1094 EV pour la recirculation des gaz, les accessoires suivants sont disponibles :

- Appareil à commande manuelle de type MKNE-1094
- Kit de réglage automatique comprenant
 - Appareil à commande manuelle de type MKNE-1094
 - Compteur à gaz avec sortie d'impulsions
 - Adaptateur pour la connexion du compteur à gaz avec le pistolet de prélèvement
 - Coffret solide pour le rangement des composants
- Bloc d'alimentation pour le fonctionnement de la commande comme appareil AC.

Numéros de commande :

Accessoires		N° de commande
Appareil à commande manuelle de type MKNE1094 EV	allemand	645 854
	anglais	139 431
Kit de réglage pour recirculation des gaz	allemand	137 713
	anglais	704 296
Bloc d'alimentation TRACO-POWER, 24 V, TBL 30-124		770 156

Tableau 5 : Numéros de commande des accessoires

11. EMBALLAGE, TRANSPORT,

REMARQUE !

Dommages dus au transport !

Les appareils insuffisamment protégés peuvent être endommagés pendant le transport.

- Transportez l'appareil à l'abri de l'humidité et des impuretés et dans un emballage résistant aux chocs.
- Évitez le dépassement vers le haut ou le bas de la température de stockage admissible.
- Protégez les interfaces des dommages avec des caches de protection.

12. STOCKAGE

REMARQUE !

Un mauvais stockage peut endommager l'appareil.

- Stockez l'appareil au sec et à l'abri des poussières !
- Température de stockage : -40 à 55 °C.

13. ELIMINATION

→ Éliminez l'appareil et l'emballage dans le respect de l'environnement.

REMARQUE !

Domages à l'environnement causés par des pièces d'appareil contaminées par des fluides.

- Respectez les prescriptions en matière d'élimination des déchets et de protection de l'environnement en vigueur.



Remarque :

Respectez les prescriptions nationales en matière d'élimination des déchets.

www.burkert.com