

# FINE CONTROLS (UK) LTD



Fine Controls have been supplying process controls & instrumentation equipment since 1994, & now serves an ever expanding customer base, both in the UK & globally.

We offer a full range of valve & instrumentation products & services, with our product range representing leading technologies & brands:

**Flow:** Flow Meters & Transmitters, Flow Switches, Flow Control Valves & Batch Control Systems

**Temperature:** Temperature Probes & Thermowells, Temperature transmitters, Temperature Regulators & Temperature Displays

**Level:** Level Transmitters & Switches

**Pressure:** Pressure Gauges & Transmitters, Precision & High Pressure Regulators & I-P Converters, Volume boosters.

**Precision Pneumatics:** Pressure Regulators, I-P Converters, Volume Boosters, Vacuum Regulators

**Valves:** Solenoid & Pneumatic Valves, Control Valves & Positioners, Actuated Ball, Globe or Diaphragm Valves & Isolation Valves

**Services:** Repair, Calibration, Panel Build, System Design & Commissioning

A rotork® Brand  
**FAIRCHILD**



**bürkert**



**SIEMENS**



**alcon**  
SOLENOID VALVES

A rotork® Brand



**MIDLAND-ACS**  
A rotork® Brand



**Honeywell**



**Bourdon**  
Baumer Group



**SOLDO**  
CONTROLS

A rotork® Brand



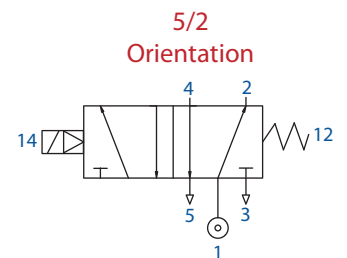
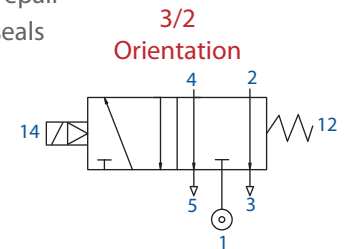
Fine Controls (UK) LTD, Bassendale Road, Croft Business Park,  
Bromborough, Wirral, CH62 3QL UK  
Tel: 0151 343 9966  
Email: sales@finecontrols.com

**Namur Series**  
**3/2 or 5/2 Universal**



**Features & Benefits**

- Zero pressure rated
- Ideal for in-line system service and repair
- Choice of valve body material and seals
- Manual Override
- Low power LED light
- Dual coil option
- Exd, Exia and Exm compatible
- **Max cycle frequency 5/sec**



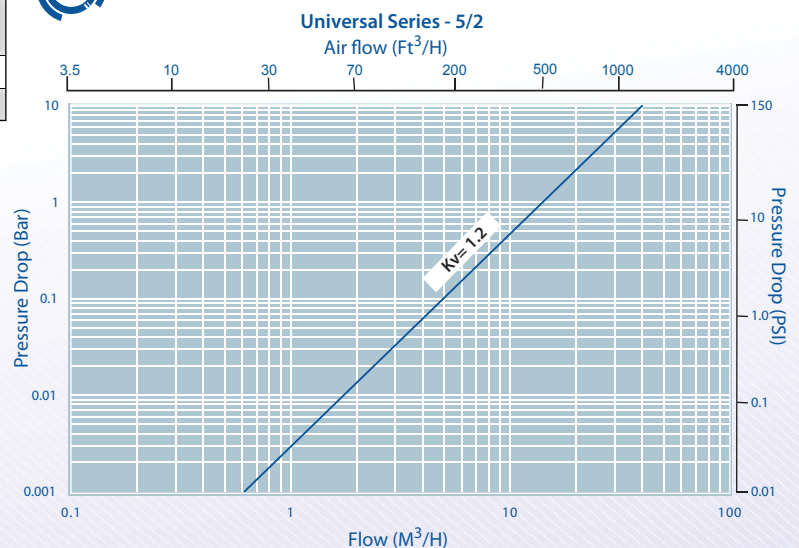
**Electrical Characteristics**

Coil Voltage DC (=):	12v, 24v, 110v
Coil Voltage AC 50Hz (~):	24v, 110v, 120v, 230v
Coil Voltage AC 60Hz (~):	24v, 110v, 120v, 220v
Voltage tolerance:	+10% or -10%
Duty Cycle:	100% ED
Protection Class (Std):	IP65 (BS EN 60529) (plug supplied as standard)
Electrical Connection (Std):	PG9 Din Connector DIN 43650/ISO 4400 (EN 175301-803) Form 'A'
Coil Insulation:	Class F (BS EN 60085) 155°C (E5 Type)
Power:	5 Watts

**Features**

Pipe Size	Kv	OPD (Bar)		P.Max Bar	Weight Kg
		AC Voltages	DC Voltages		
1/4"	1.2	2.5 - 10	2.5 - 10	5	0.50

**Flow Data**



**Specifications**

Function:	3/2 or 5/2
Media:	Air
Ambient Temperature:	-10°C to +50°C
Maximum Viscosity:	115 SSU
Body Material (Std):	Anodised Aluminium
Flange Tube:	Brass
Plunger and Top Stop:	Stainless Steel 430FR
Springs:	Stainless Steel 302
Seal Material (Std):	Nitrile (BunaN)

**Certification Options Available**

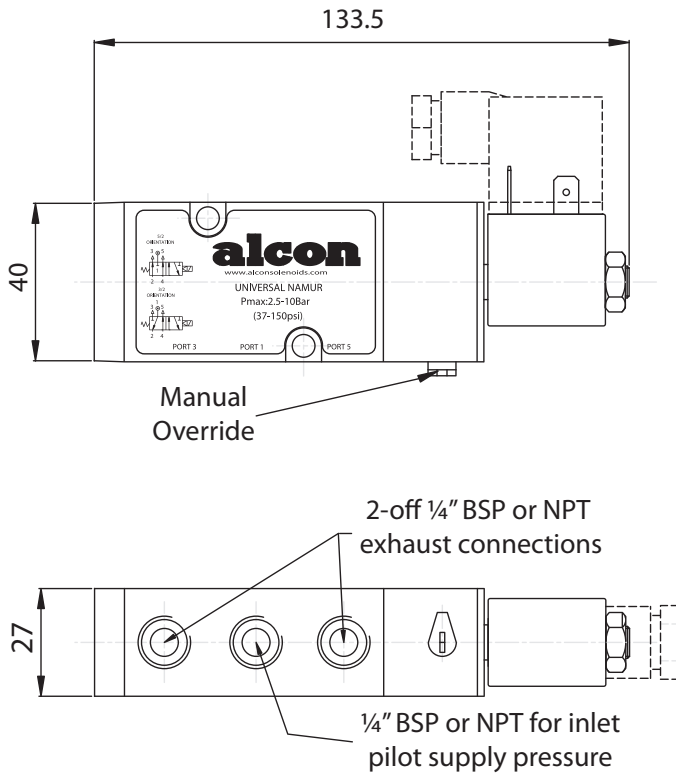


**ITT**

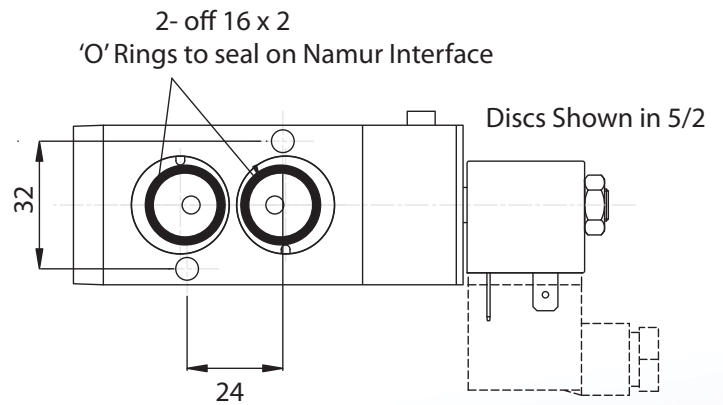
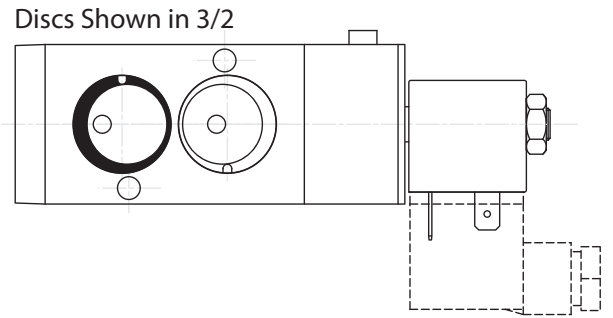
**How to use the Flow Chart**

1. Select the required flow.
2. Note the corresponding orifices/model and pressure drop.
3. Using orifices/model, (refer to the Features panel) for technical information

**Namur Series**  
**3/2 or 5/2 Universal**



**Dimensions**



Dimensions given in mm

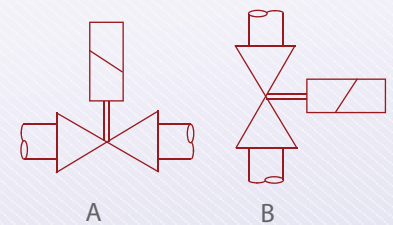
**Note:**  
For EExd and EExia options  
consult factory for dimensional details.

**Options**

Solenoid Enclosure		
Protection Class	Electrical Entry	Ambient
EExd T6 (IP67)	M20 X 1.5 Female	-50°C to +40°C
EExd T4 (IP67)	M20 X 1.5 Female	-50°C to +70°C
Exm T5 (IP65)	M16 X 1.5 Male FLYING LEAD	-20°C to +40°C
EExia	PG9 via Din Plug Connector Din 43650-A	-40°C to +50°C

Body Material
Stainless Steel

Mounting



See solenoid enclosures for specific details

3/2 actuator speed control block available on request  
Non namur mount options available