

# FINE CONTROLS (UK) LTD



Fine Controls have been supplying process controls & instrumentation equipment since 1994, & now serves an ever expanding customer base, both in the UK & globally.

We offer a full range of valve & instrumentation products & services, with our product range representing leading technologies & brands:

**Flow:** Flow Meters & Transmitters, Flow Switches, Flow Control Valves & Batch Control Systems

**Temperature:** Temperature Probes & Thermowells, Temperature transmitters, Temperature Regulators & Temperature Displays

**Level:** Level Transmitters & Switches

**Pressure:** Pressure Gauges & Transmitters, Precision & High Pressure Regulators & I-P Converters, Volume boosters.

**Precision Pneumatics:** Pressure Regulators, I-P Converters, Volume Boosters, Vacuum Regulators

**Valves:** Solenoid & Pneumatic Valves, Control Valves & Positioners, Actuated Ball, Globe or Diaphragm Valves & Isolation Valves

**Services:** Repair, Calibration, Panel Build, System Design & Commissioning

A rotork® Brand  
**FAIRCHILD**



**bürkert**



**SIEMENS**



**alcon**  
SOLENOID VALVES

A rotork® Brand



**MIDLAND-ACS**  
A rotork® Brand



**Honeywell**



**Bourdon**  
Baumer Group



**SOLDO**  
CONTROLS

A rotork® Brand



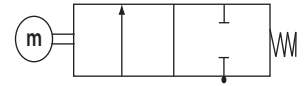
Fine Controls (UK) LTD, Bassendale Road, Croft Business Park,  
Bromborough, Wirral, CH62 3QL UK  
Tel: 0151 343 9966  
Email: sales@finecontrols.com

**HWA Series  
Normally Closed**



**Features & Benefits**

- Approved for mains gas safety shut off
- Suitable for automatic burners
- Suitable for fire protection systems
- Ideal for low pressure Natural gas
- Approved to **EN161**
- Compliant with Gas Appliance directive
- Fully ported orifices for high flow
- Zero pressure rated
- Slow opening
- Open and closed position volt free contacts available
- Fitted with pressure test points as standard
- Visual position indication as standard



**Features**

Pipe Size	KV	OPD (mBar)	P.Max (Bar)	Hold VA	Orifice mm	Weight Kg	Cat No
1¼"	46.5	0-345	5	10	68.00	9.60	HWA8A
1½"	46.5	0-345	5	10	68.00	9.60	HWA9A
2"	82	0-345	5	10	68.00	9.60	HWA10A
2" Flanged	82	0-345	5	10	68.00	11.60	HWA10FB
2½"	135	0-345	5	10	87.00	10.5	HWA11A
2½" Flanged	135	0-345	5	10	87.00	13.1	HWA11FB
3"	162	0-345	5	10	87.00	10.5	HWA12A
3" Flanged	162	0-345	5	10	87.00	13.4	HWA12FB
4"	195	0-345	5	10	104.00	38.4	HWA13FB
6"	365	0-200	5	10	154.00	62.4	HWA15FB

**Specifications**

Function:	Normally Closed, Energise to open
Ambient Temperature:	-0°C to +60°C
Body Material upto 3":	Aluminium
Body material above 3":	Cast iron
Closing Time:	Less than 1 second
Springs:	Stainless Steel 302
Seal Material (Std):	Nitrile (BunaN)
Connection Type (Std):	BS21 & flanged PN6/16

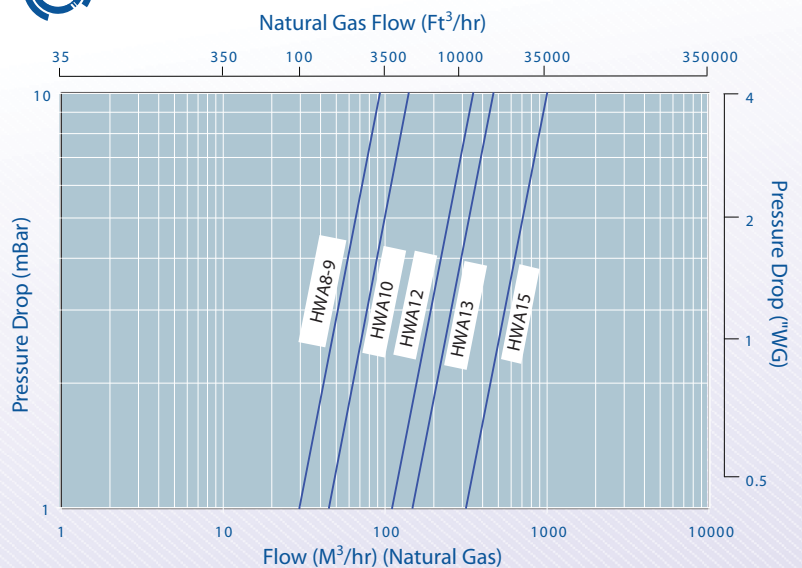
**Electrical Characteristics**

Coil Voltage DC (=):	12v, 24v, 110v
Coil Voltage AC 50Hz (~):	110v, 230v
Voltage tolerance:	+10% or -10%
Protection Class (Std):	IP50 (BS EN 60529)
Electrical Connection (Std):	Suitable for M20 Conduit

Flow rate measured with differential pressure at 2.5mbar

Kv = Flow rate measured with differential pressure at 2.5mbar

**Flow Data**



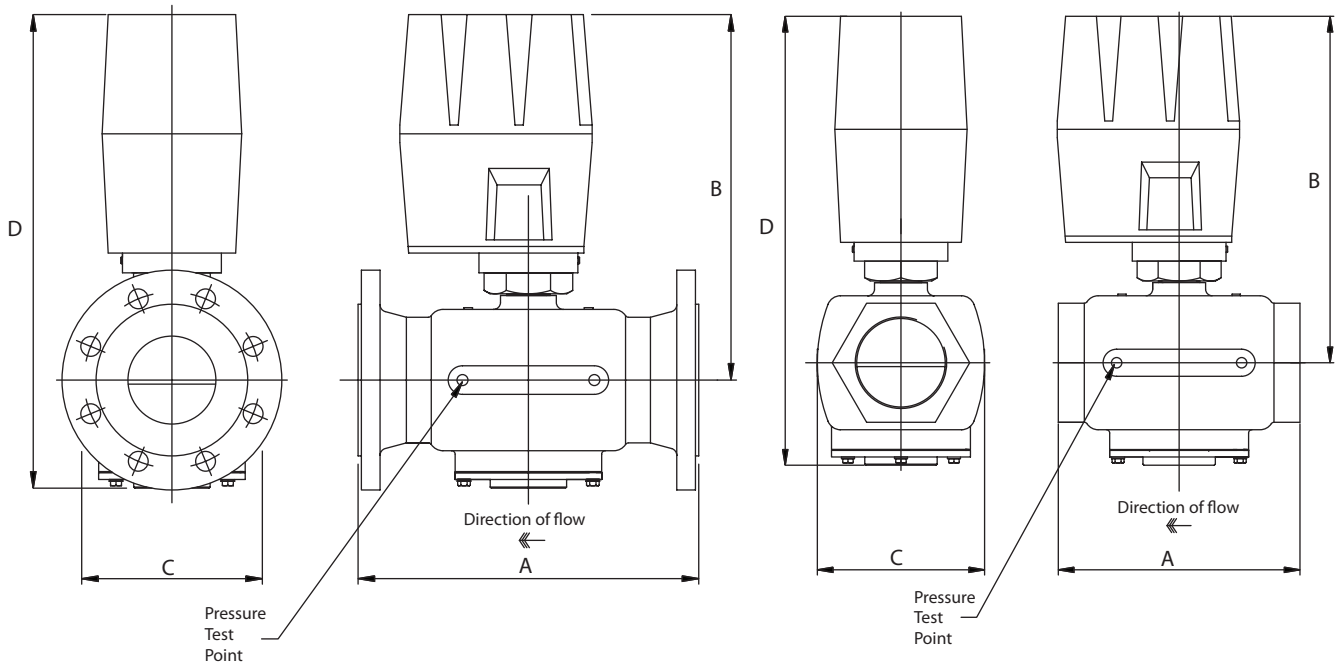
**How to use the Flow Chart**

1. Select the required flow.
2. Note the corresponding orifices/model and pressure drop.
3. Using orifices/model, (refer to the Features panel) for technical information



**ITT**

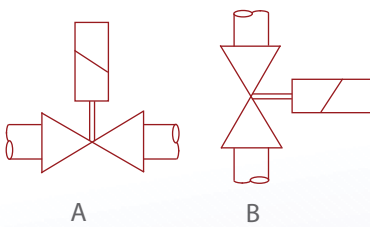
**HWA Series  
Normally Closed**



**Dimensions**

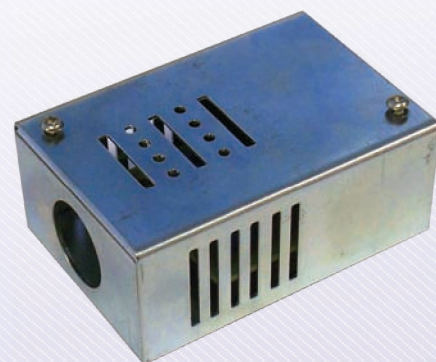
Size	A	B	C	D
1¼"	149	294	127	368
1½"	149	294	127	368
2"	178	294	127	368
2" Flanged	230	314	127	392
2½"	238	324	159	419
2½" Flanged	290	328	159	423
3"	238	324	159	419
3" Flanged	310	328	159	423
4"	292	352	120	508
6"	356	380	178	560

**Mounting**



Standard Flange Size PN6/16  
all others screwed BS21

Alcon can also offer Electro-Thermal links that can be wired into the power supply to the HWA series valve offering shut down in the event of a fire



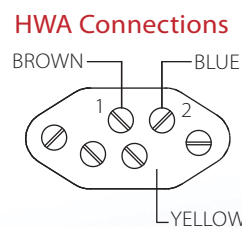
Electro-Thermal Link 73°C  
Part number 10904209

The hand reset control box is designed to be fitted to our HWA range of valves although it can easily be adapted for use with most valves. The control box features a push button used to activate the valve and a neon indicator that shows when the valve is latched open. The unit may be used as a stand-alone controller or together with a remote reset and indicator.

**Integral Reset**

1. Check that the control box is the correct voltage for the application.
2. Remove the large cover plate from the actuator.
3. Knock out the two blanks on whichever side of the actuator the control box is to be fitted.
4. Knock out one of the other blanks to provide access for power supply cables and remote reset/open indication if required (see **Remote Reset and Open Indication**).
5. Assemble the control box to the actuator housing using the two 20mm bushes and nuts supplied fitted to the control box.
6. Connect the three wires from the control box to the actuator as follows:

Wire colour	Connected to (see fig. 1)
Brown	Terminal 1
Blue	Terminal 2
Yellow	Bottom right terminal



**HWA Control Box**

7. Mains supply of either 110V or 230Vac depending on the control box model is made to the terminals marked L and N. **No other connections must be used.**
8. Earth connection is made to the screw marked with the earth symbol located in the centre of the actuator body.
9. Refit the cover to the actuator and control box.
10. With the mains supply connected the actuator will operate when the push button is pressed. When the full travel has been reached the neon indicator will illuminate.

**HWA Series  
Hand Reset Control Box**



**Technical Specification**

Enclosure	Diecast Aluminium
Protection rating	IP50
Conduit connections	2 off M20
Wire size	2.5mm <sup>2</sup> max

**HWA with control box attached**

**Remote Reset and Open Indication**

1. Proceed as above up to and including step 6.
2. For connections to the remote reset and open indicator see figure 2. The external indicator may be neon or filament type of the same voltage as the control box.
3. When all the remote connections have been made, resume assembly from step 7.

**Other Valves**

The control box may be adapted for use with most solenoid valves by using the Brown and Blue wires as described above and connecting the yellow wire internally to the Neutral supply line. When using the control box in this manner the neon indicator will show when power is applied to the valve rather than when the valve reaches it's stop position.

**Figure 2**

