

FINE CONTROLS (UK) LTD



Fine Controls have been supplying process controls & instrumentation equipment since 1994, & now serves an ever expanding customer base, both in the UK & globally.

We offer a full range of valve & instrumentation products & services, with our product rangerepresenting leading technologies & brands:

Flow: Flow Meters & Transmitters, Flow Switches, Flow Control Valves & Batch Control Systems

Temperature: Temperature Probes & Thermowells, Temperature ransmitters, Temperature Regulators & Temperature Displays

Level: Level Transmitters & Switches

Pressure: Pressure Gauges & Transmitters, Precision & High Pressure Regulators & I-P Converters, Volume boosters.

Precision Pneumatics: Pressure Regulators, I-P Converters, Volume Boosters, Vacuum Regulators

Valves: Solenoid & Pneumatic Valves, Control Valves & Positioners, Actuated Ball, Globe or Diaphragm Valves & Isolation Valves

Services: Repair, Calibration, Panel Build, System Design & Commissioning

 A rotork® Brand
FAIRCHILD



bürkert



SIEMENS



alcon
SOLENOID VALVES

A rotork® Brand



MIDLAND-ACS
A rotork® Brand



Honeywell



 **Bourdon**
Baumer Group



SOLDO
CONTROLS

A rotork® Brand



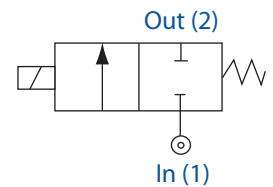
Fine Controls (UK) LTD, Bassendale Road, Croft Business Park,
Bromborough, Wirral, CH62 3QL UK
Tel: 0151 343 9966
Email: sales@finecontrols.com

68 Series
2/2 Normally Closed



Features & Benefits

- Controls Cryogenic Media down to -196°C
- Degreased and Individually Packaged for Cryogenic Service
- Larger Porting for High Kv
- Teflon® - PTFE Seals
- Choice of Brass or Stainless Steel Valve Body



Features

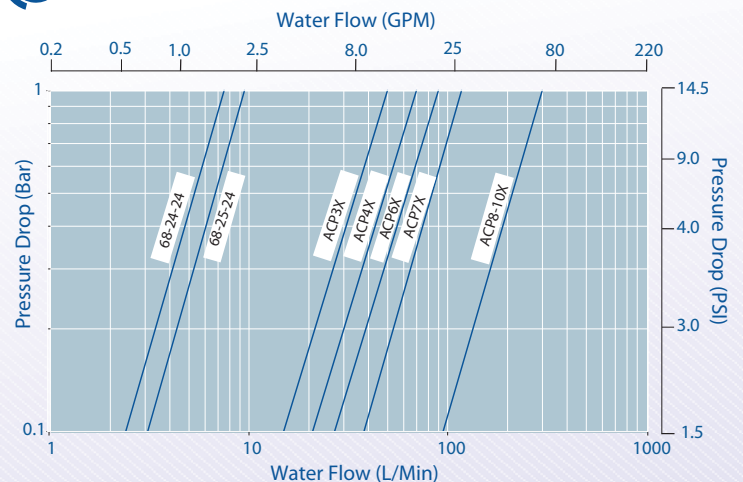
Electrical Characteristics

Coil Voltage DC (=):	12v, 24v, 110v
Coil Voltage AC 50Hz (~):	24v, 110v, 120v, 230v
Coil Voltage AC 60Hz (~):	24v, 110v, 120v, 220v
Voltage tolerance:	+10% or -10%
Duty Cycle:	100% ED
Protection Class (Std):	IP65 (BS EN 60529) (plug supplied as standard)
Electrical Connection (Std):	PG9 Din Connector DIN 43650/ISO 4400 (EN 175301-803) Form 'A'
Coil Insulation:	Class H (BS EN 60085) 180°C
Power Rating:	14.5 watts, 19VA

Pipe Size	Kv	OPD (Bar)		P.Max Bar	Orifice mm	Cat No.
		AC Voltages	DC Voltages			
1/4"	0.43	0 - 8.0	0 - 6	50	4.50	68-24-24
1/4"	0.52	0 - 8.6	0 - 6	50	6.00	68-25-24
3/8"	3.0	0.3 - 8.6	0.3 - 6	50	16.00	68ACP3X
1/2"	4.2	0.3 - 8.6	0.3 - 6	50	16.00	68ACP4X
3/4"	5.4	0.3 - 8.6	0.3 - 6	50	16.00	68ACP6X
1"	7.1	0.3 - 8.6	0.3 - 6	50	25.00	68ACP7X
1 1/4"	18	0.3 - 8.6	0.3 - 6	50	32.00	68ACP8X
1 1/2"	18	0.3 - 8.6	0.3 - 6	50	32.00	68ACP9X
2"	18	0.3 - 8.6	0.3 - 6	50	32.00	68ACP10X

Kv = Flow (M³/hr) of water @ 1bar pressure drop

Flow Data



How to use the Flow Chart

1. Select the required flow.
2. Note the corresponding orifices/model and pressure drop.
3. Using orifices/model, (refer to the Features panel) for technical information

Specifications

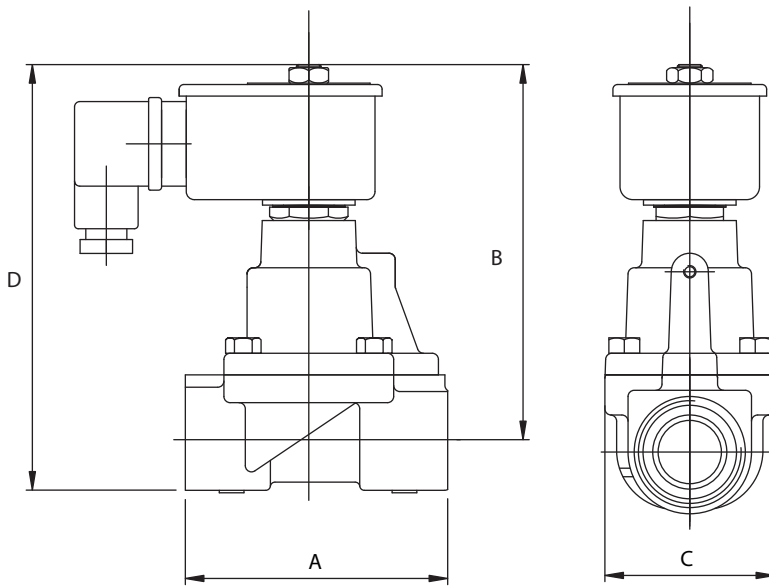
Function:	Normally Closed, Energise to open
Special Feature:	Oxygen Degreased and Individually packed for use on liquids down to -196°C
Ambient Temperature:	-10°C to +50°C
Maximum Viscosity:	65cSt
Body Material (Std):	Brass
Flange Tube:	Stainless Steel 303
Plunger and Top Stop:	Stainless Steel 430FR
Springs:	Stainless Steel 302
Seal Material (Std):	PTFE (Teflon)
Connection Type (Std):	BS21
Seal Material (Std):	PTFE (Teflon)

Note: Leak past seat less 100cc/min

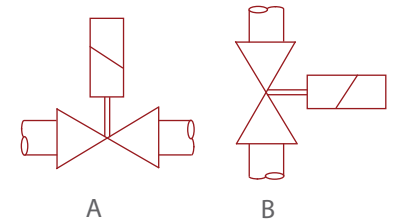


ITT

68 Series
2/2 Normally Closed



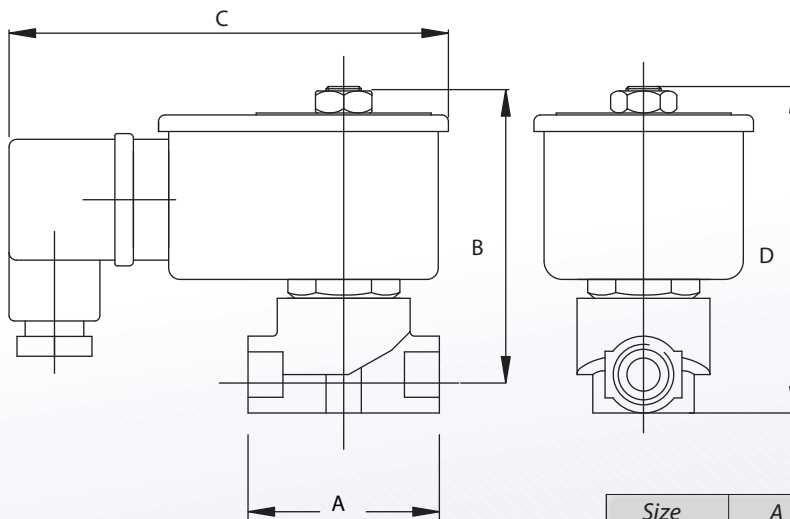
Mounting



Dimensions

Size	A	B	C	D	Weight (Kg)
3/8" - 1/2"	85	105	105*	122	1.20
3/4" - 1"	85	135	105*	155	1.20 - 2.30
1 1/4" - 1 1/2"	117	133	82.5	209	3.10
2"	146	145	103	209	5.20

*Dimension Including Din Plug
Dimensions given in mm



Dimensions

Size	A	B	C	D	Weight (Kg)
1/8"	44	70	105	78	0.35
1/4"	44	70	105	78	0.35

Dimensions given in mm

LED power indicator option
Mounting bracket option
ANSI and PN flange options